



US00D983192S

(12) **United States Design Patent**  
**Mizen**

(10) **Patent No.:** **US D983,192 S**  
(45) **Date of Patent:** **\*\* Apr. 11, 2023**

(54) **CABINET FOR COMPUTER EQUIPMENT**

(71) Applicant: **Rubber Road Ltd.**, Hertfordshire (GB)

(72) Inventor: **Karl Mizzen**, Jarrow (GB)

(73) Assignee: **Rubber Road Ltd.**

(\*\*) Term: **15 Years**

(21) Appl. No.: **29/754,038**

(22) Filed: **Oct. 6, 2020**

(30) **Foreign Application Priority Data**

Aug. 21, 2020 (EM) ..... 008135891-0001  
Aug. 21, 2020 (EM) ..... 008135891-0002  
Aug. 21, 2020 (EM) ..... 008135891-0003  
Aug. 21, 2020 (EM) ..... 008135891-0004

(51) **LOC (14) Cl.** ..... **14-02**

(52) **U.S. Cl.**  
USPC ..... **D14/308**; D6/672

(58) **Field of Classification Search**  
USPC ..... D14/140.1–140.2, 172, 181, 204, 209.1,  
D14/203.8, 227, 300–302, 308, 313–314,  
D14/349, 353, 356–359, 363, 432–434,  
D14/439, 441; D13/110, 158–164, 177;  
D21/325, 392; D6/672, 680–680.3,  
D6/682.1–682.6  
CPC ..... G06F 1/1613; G06F 15/161; H05K 5/00;  
H05K 5/04; H05K 7/18; H04R 1/02;  
G10K 13/00  
See application file for complete search history.

(56) **References Cited**

**U.S. PATENT DOCUMENTS**

D52,984 S \* 2/1919 Dippy ..... D6/672  
D98,786 S \* 3/1936 Sunderhauf ..... D6/682.3  
D154,350 S \* 6/1949 Van Cleef ..... D6/680  
D163,007 S \* 4/1951 Westernacher ..... D6/682.6

3,188,524 A \* 6/1965 Williams ..... H05K 7/18  
439/43  
D224,020 S \* 6/1972 Minka ..... D14/313  
D224,710 S \* 9/1972 Miller ..... D13/163  
D235,824 S \* 7/1975 Long ..... D6/680  
D244,891 S \* 7/1977 Engelmann ..... D6/682.4  
D250,440 S \* 12/1978 Millsbaugh ..... D6/662.1

(Continued)

**FOREIGN PATENT DOCUMENTS**

CN 307091654 \* 2/2022  
EM 008135891-0001 \* 9/2020

(Continued)

**OTHER PUBLICATIONS**

Official Star Trek Gaming Locker, numskull, numskull.com, author unlisted, published on Nov. 16, 2022 per wayback machine © 2022 Numskull, online, site visited Nov. 23, 2022. Available at URL: <https://numskull.com/official-star-trek-gaming-locker/> (Year: 2022).\*

(Continued)

*Primary Examiner* — Holly E Thurman  
*Assistant Examiner* — Altaira J Swangin  
(74) *Attorney, Agent, or Firm* — RatnerPrestia

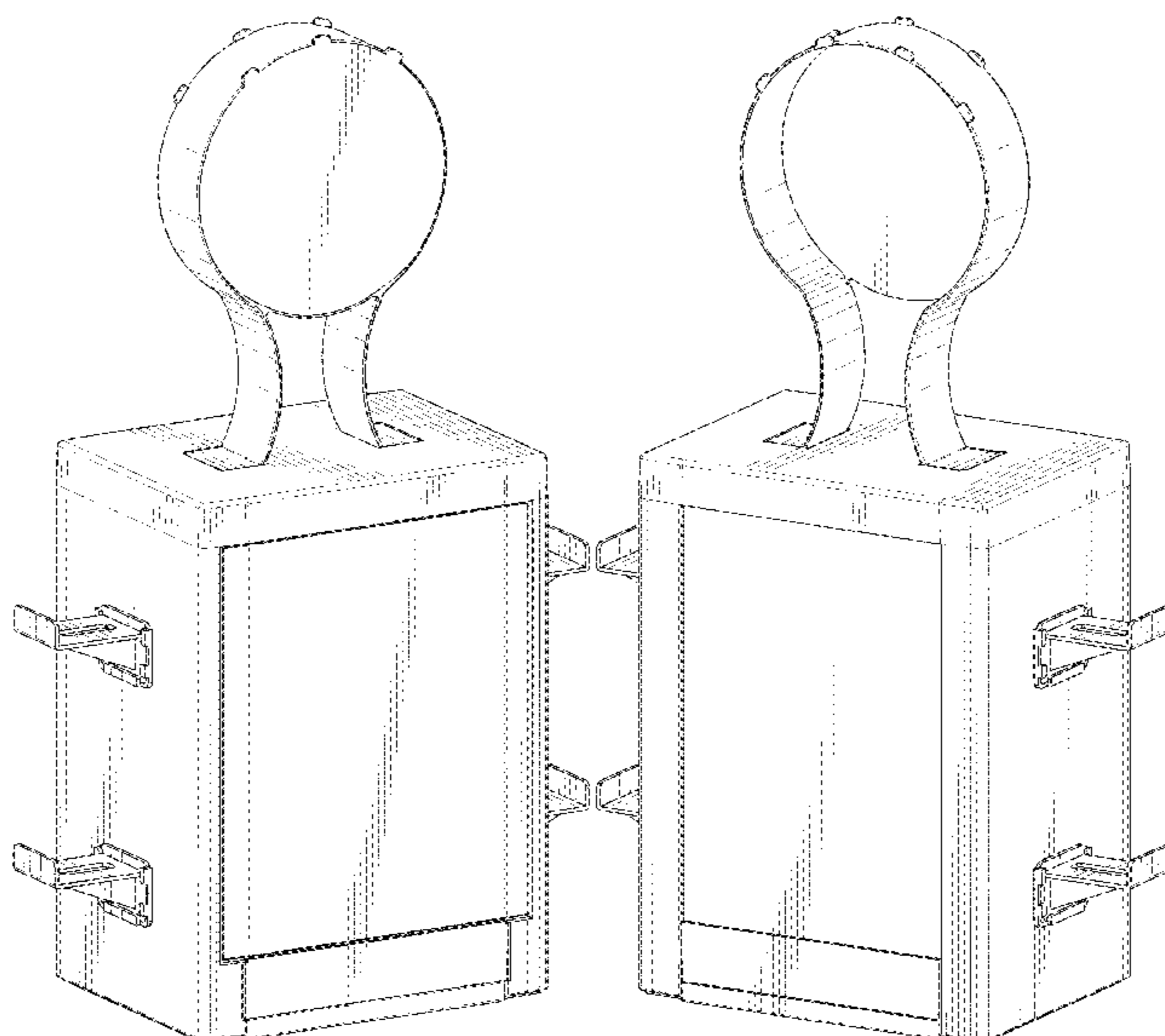
(57) **CLAIM**

The ornamental design for a cabinet for computer equipment, as shown and described.

**DESCRIPTION**

FIGS. 1 and 2 are front and rear isometric views, respectively, of a cabinet for computer equipment; FIG. 3 is a front elevation view thereof; FIG. 4 is a rear elevation view thereof; FIG. 5 is a left-side elevation view thereof; FIG. 6 is a right-side elevation view thereof; FIG. 7 is a top plan thereof; and, FIG. 8 is a bottom plan view thereof.

**1 Claim, 8 Drawing Sheets**



(56)

References Cited

U.S. PATENT DOCUMENTS

D279,562	S	*	7/1985	Wood	.....	D13/184
D283,023	S	*	3/1986	Gibson	.....	D14/140.2
D299,455	S	*	1/1989	Pushelberg	.....	D14/140.2
D365,225	S	*	12/1995	Poortvliet	.....	D6/671.1
D396,234	S	*	7/1998	Yamaguchi	.....	D14/308
D439,577	S	*	3/2001	Smith	.....	D14/140.2
D440,425	S	*	4/2001	Alexandersson	.....	D6/661
D464,644	S	*	10/2002	Ohwada	.....	D14/308
D468,555	S	*	1/2003	Romaen	.....	D6/667
D527,624	S	*	9/2006	Mendini	.....	D6/682.4
D658,217	S	*	4/2012	Wenning	.....	D15/127
D786,361	S	*	5/2017	Stambler	.....	D21/392
D790,633	S	*	6/2017	Stambler	.....	D21/392
D797,475	S	*	9/2017	Awad	.....	D6/671

FOREIGN PATENT DOCUMENTS

EM	008135891-0002	*	9/2020
EM	008135891-0003	*	9/2020
EM	008135891-0004	*	9/2020
GB	9008135891-0001	*	8/2020
GB	9008135891-0002	*	8/2020
GB	9008135891-0003	*	8/2020
GB	9008135891-0004	*	8/2020

OTHER PUBLICATIONS

Official Lord of the Rings Gaming Locker, numskull, numskull.com, author and date unlisted ©2022 Numskull, online, site visited

Nov. 23, 2022. Available at URL: <https://numskull.com/official-lord-of-the-rings-gaming-locker/> (Year: 2022).\*

Gaming Accessories—Gaming Lockers, numskull, numskull.com, author unlisted, various dates ©2022 Numskull, online, site visited Nov. 23, 2022. Available at URL: <https://numskull.com/gaming-peripherals/> (Year: 2022).\*

Game Storage Tower for Nintendo Switch, Skywin, amazon.com, published by Skywin, first available on May 22, 2019 © 1996-2022 Amazon.com, Inc., online, site visited Nov. 23, 2022. Available at URL: <https://www.amazon.com/Skywin-Game-Storage-Tower-Nintendo-Switch/dp/B07S38KQHS> (Year: 2019).\*

Video Game Organization Station, blogger Kim, amazon.com, published by Kim Six Fix on Oct. 30, 2016 per wayback machine © The Kim Six Fix, online, site visited Nov. 23, 2022. Available at URL: <https://www.thekimsixfix.com/2016/10/diy-video-game-organization-station.html> (Year: 2016).\*

Headset and Game Organizer, NexiGo, amazon.com, published by NexiGo, first available on Nov. 5, 2020 © 1996-2022, online, site visited Nov. 25, 2022. Available at URL: <https://www.amazon.com/NexiGo-Playstation-Accessories-Headphones-Controllers/dp/B08MV4JK3X?th=1> (Year: 2020).\*

Xbox Official Gaming Locker, Xbox/Numskull, digitaldrops.com, published by Dado Ellis on Nov. 3, 2020 © 2022 Numskull, online, site visited Dec. 23, 2022. Available at URL: <https://digitaldrops.com.br/2020/11/armario-xbox-official-gaming-locker.html> (Year: 2020).\*

\* cited by examiner

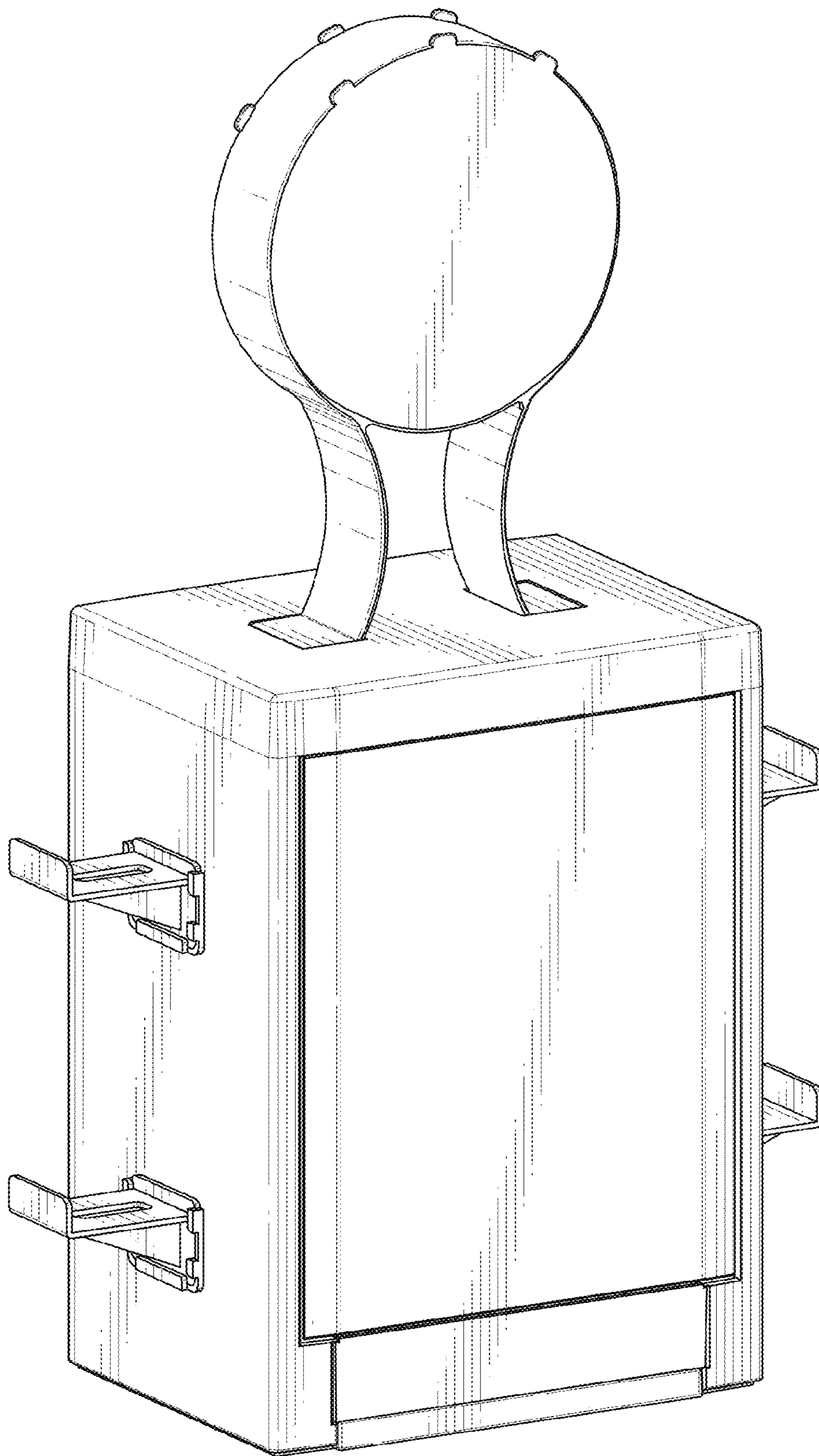


FIG. 1

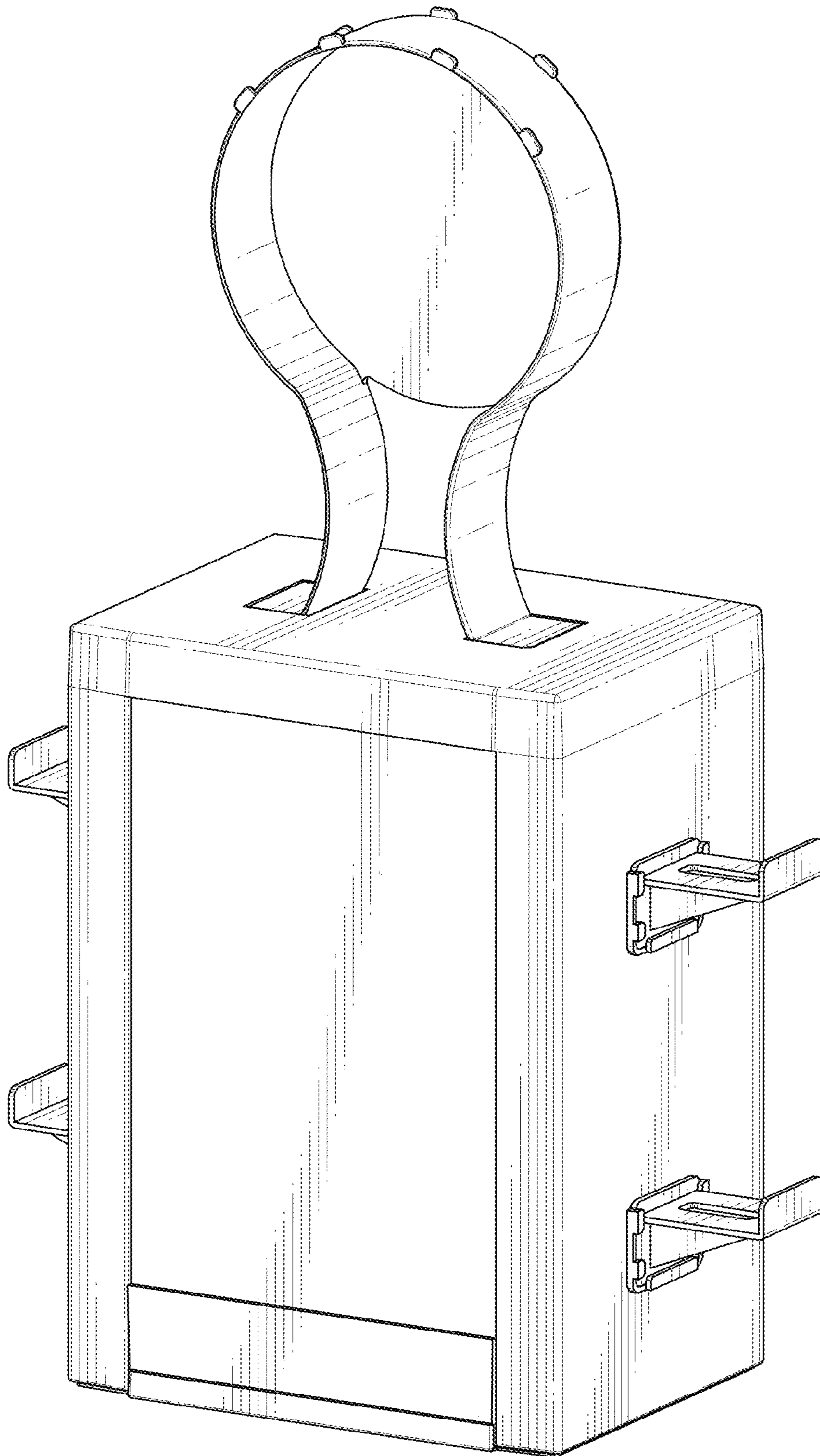


FIG. 2

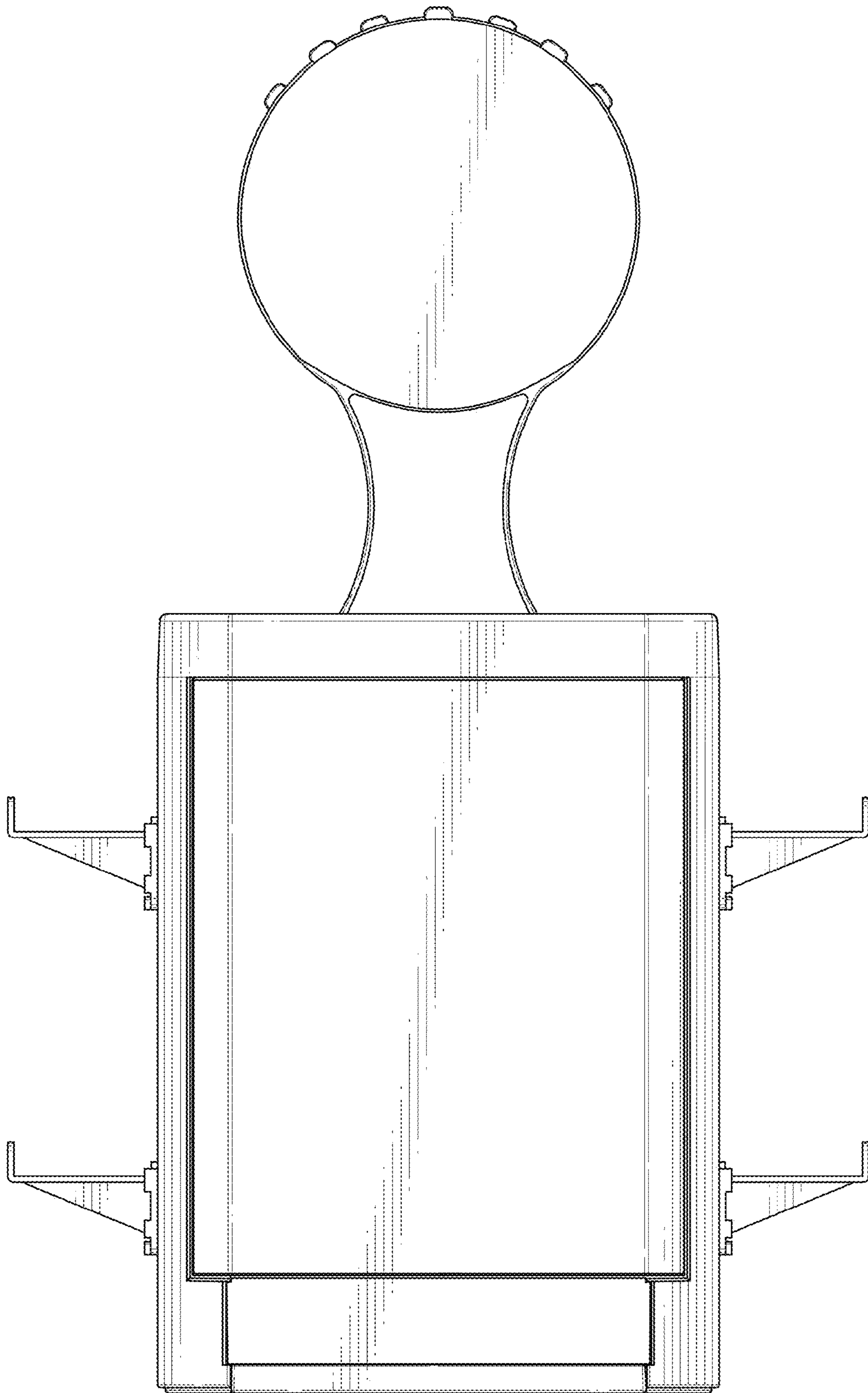


FIG. 3

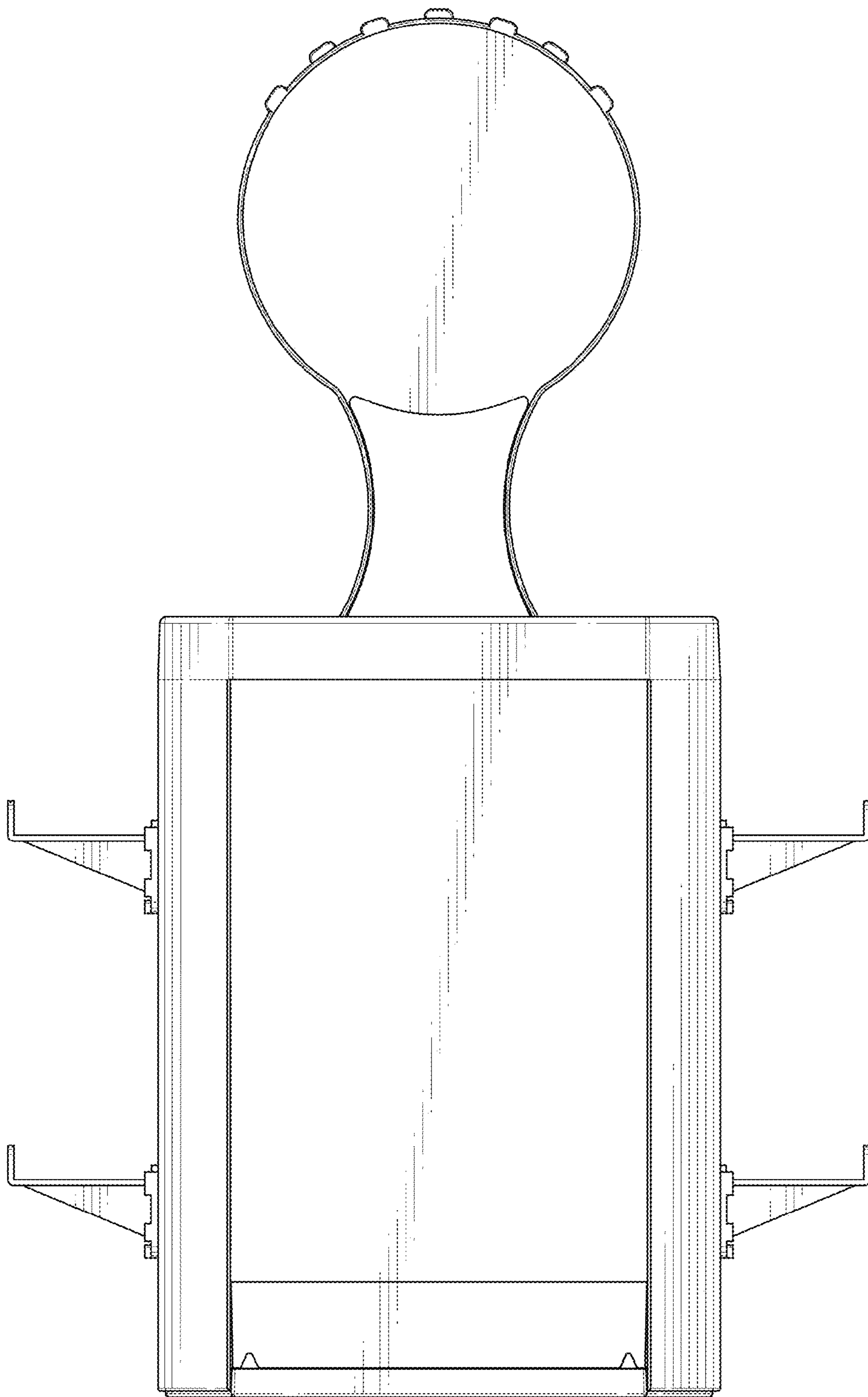


FIG. 4

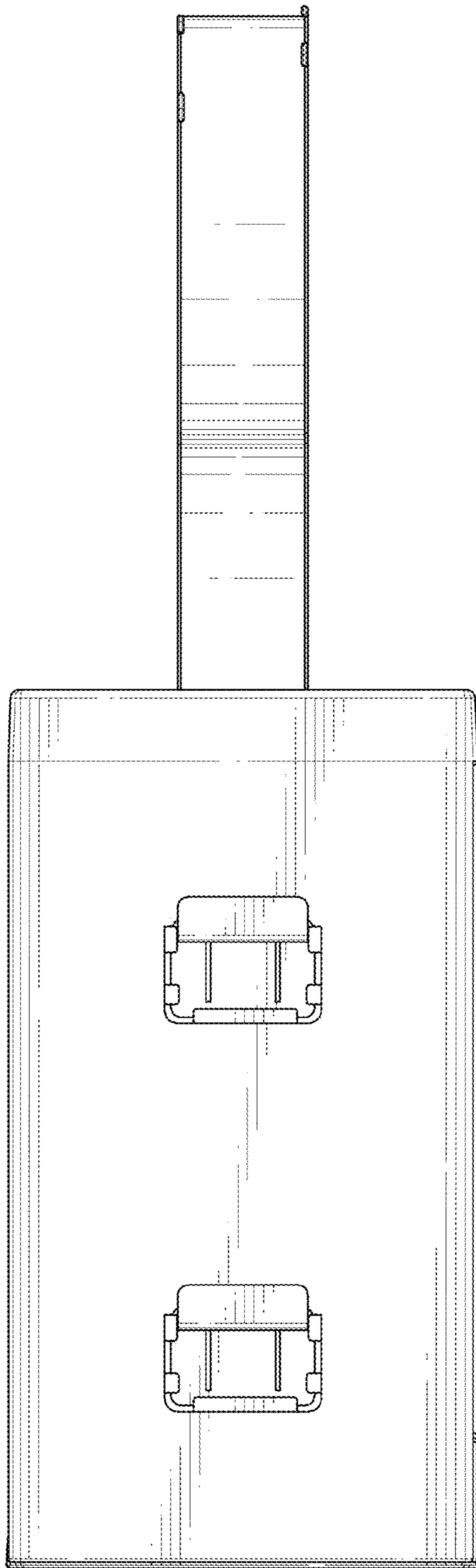


FIG. 5

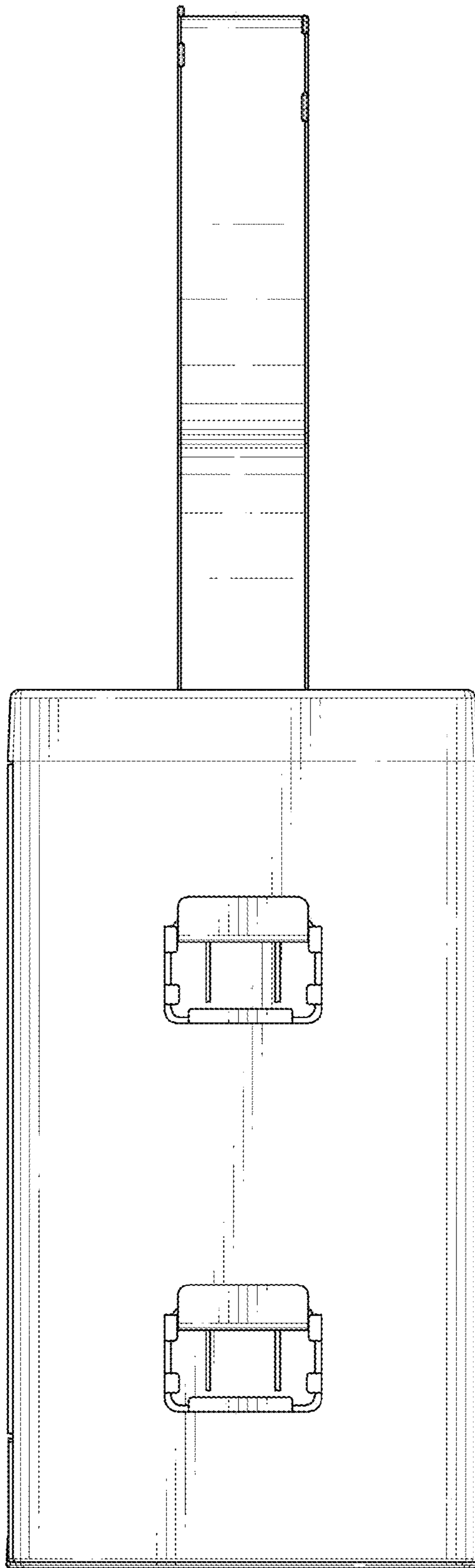
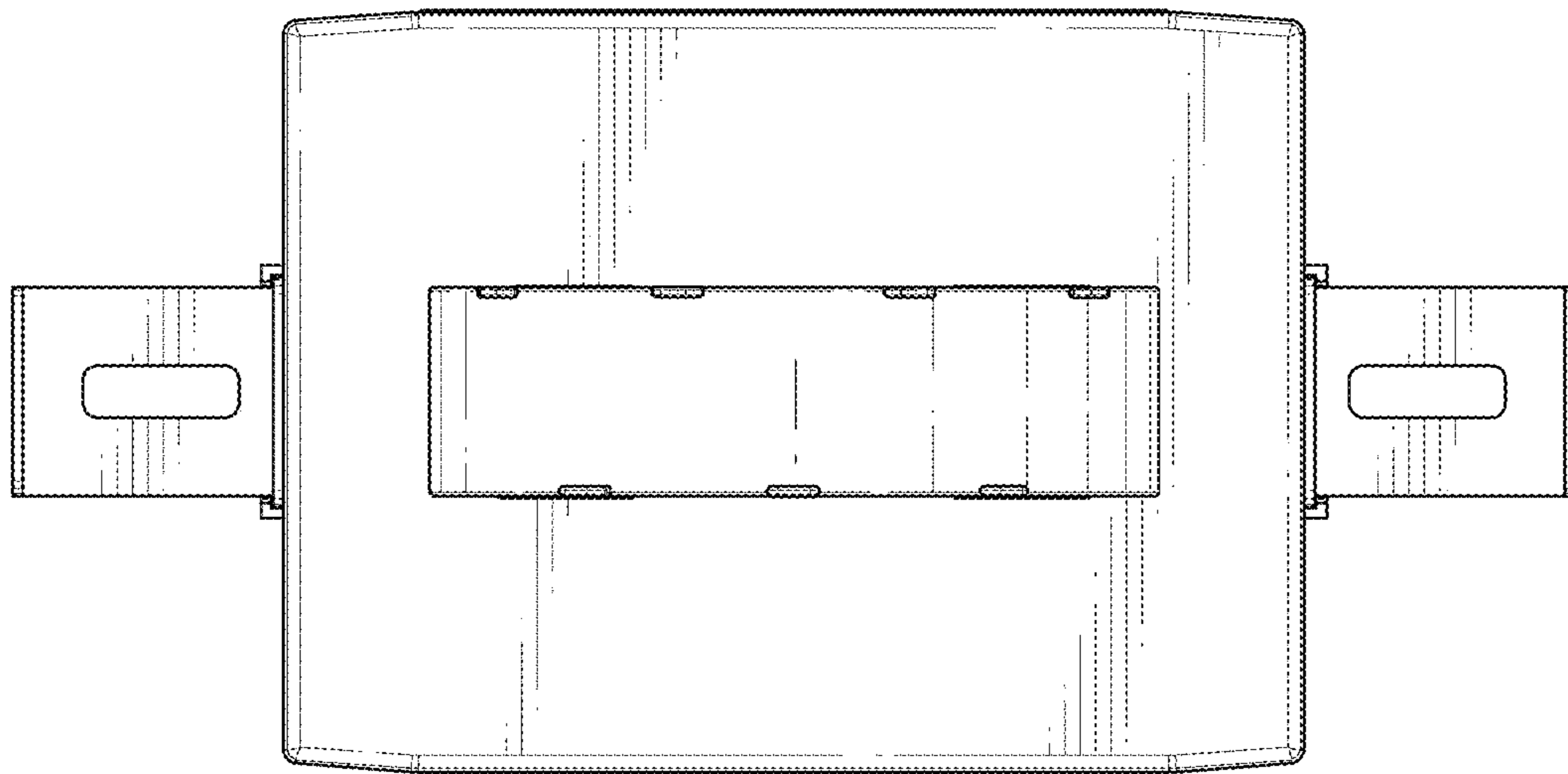
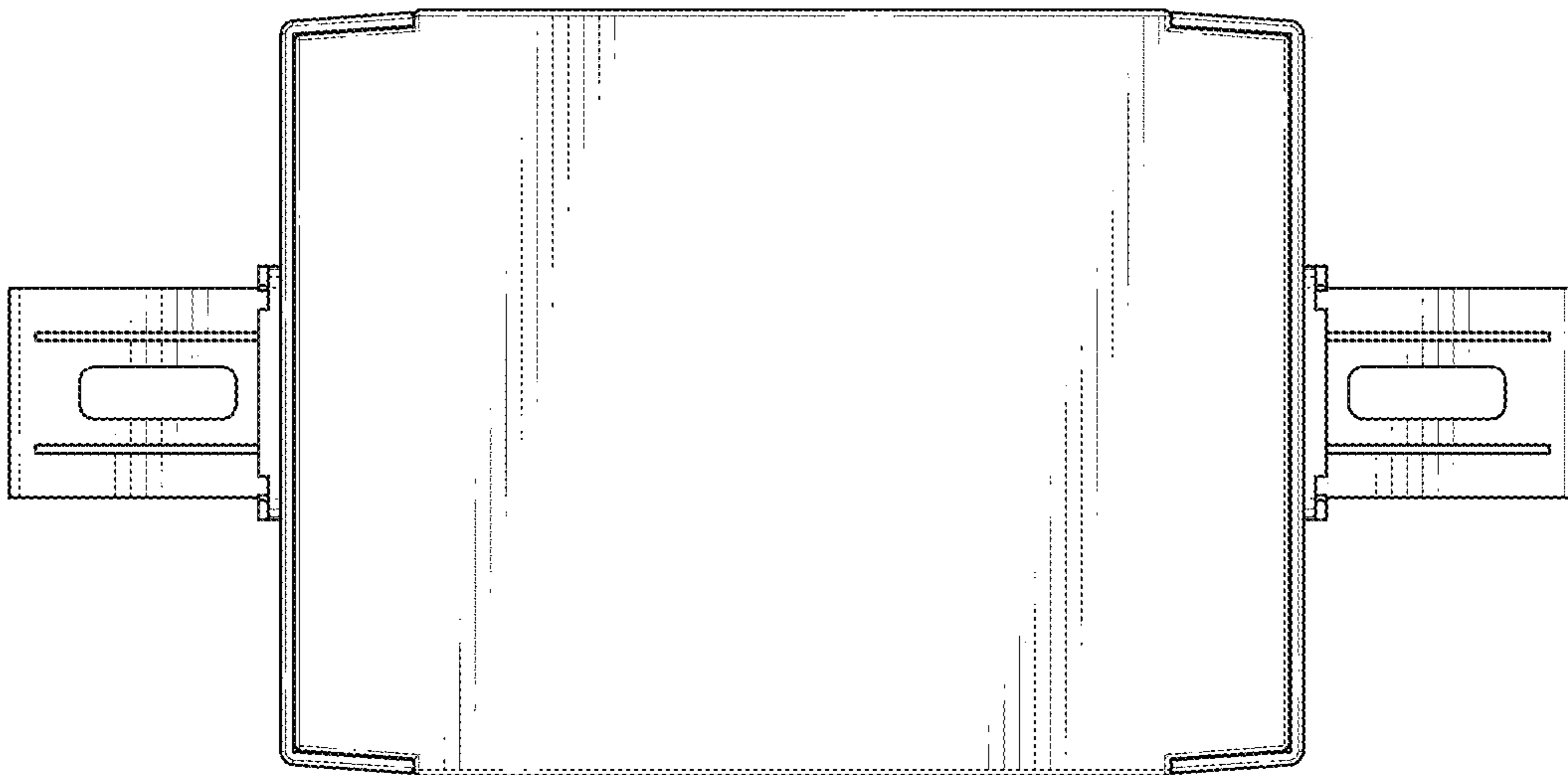


FIG. 6





*FIG. 7*



*FIG. 8*