



US00D983191S

(12) **United States Design Patent**
Zhang

(10) **Patent No.:** **US D983,191 S**
(45) **Date of Patent:** **** Apr. 11, 2023**

(54) **STAND FOR ELECTRONIC DEVICES**

(71) Applicant: **Mei Zhang**, Meizhou (CN)

(72) Inventor: **Mei Zhang**, Meizhou (CN)

(**) Term: **15 Years**

(21) Appl. No.: **29/771,538**

(22) Filed: **Feb. 23, 2021**

(30) **Foreign Application Priority Data**

Oct. 22, 2020 (CN) 202030631733.1

(51) **LOC (14) Cl.** **14-99**

(52) **U.S. Cl.**
USPC **D14/253**; D14/447

(58) **Field of Classification Search**
USPC ... D14/251-253, 224, 224.1, 447, 451, 452;
D12/114, 415, 426.1, 223; D3/218
CPC . B60R 11/00; B60R 11/0241; B60R 11/0252;
B60R 2011/0003; B60R 2011/0005;
B60R 2011/0008; H04M 1/04; A45C
2011/002; A45C 2011/003; A45F
2200/0516; A45F 2200/0525

See application file for complete search history.

(56) **References Cited**

U.S. PATENT DOCUMENTS

D690,306 S * 9/2013 Malisse D14/447
D769,235 S * 10/2016 Li D14/253
D799,467 S * 10/2017 Lou D14/447
D833,446 S * 11/2018 Elder D14/447
D884,711 S * 5/2020 Zhang D14/447
D898,017 S * 10/2020 Zhang D14/447
D902,217 S * 11/2020 Zhang D14/447
D903,689 S * 12/2020 Zheng D14/447
D904,387 S * 12/2020 Zhang D14/447
D920,981 S * 6/2021 Zhang D14/434
D928,869 S * 8/2021 Zhang D18/4.5
D930,641 S * 9/2021 Zhou D14/447
D931,848 S * 9/2021 Liu D14/253

D936,662 S * 11/2021 Gao D14/447
D938,409 S * 12/2021 Zheng D14/253
D940,700 S * 1/2022 Yongren D14/447
D944,786 S * 3/2022 Liu D14/447
D951,960 S * 5/2022 Shen D14/447

(Continued)

FOREIGN PATENT DOCUMENTS

EM 008401855-0001 * 1/2021
EM 008428569-0001 * 2/2021

OTHER PUBLICATIONS

Luom Desktop Phone Holder Stand . . . [online]. No post date available. [Retrieved from the Internet Jan. 5, 2023.] <URL: <https://www.newegg.com/luom-upgraded-ph2-desktop-mount/p/0SB-0247-000D0> >.*

Primary Examiner — Rebekah A Caruso
(74) *Attorney, Agent, or Firm* — True Shepherd LLC;
Andrew C. Cheng

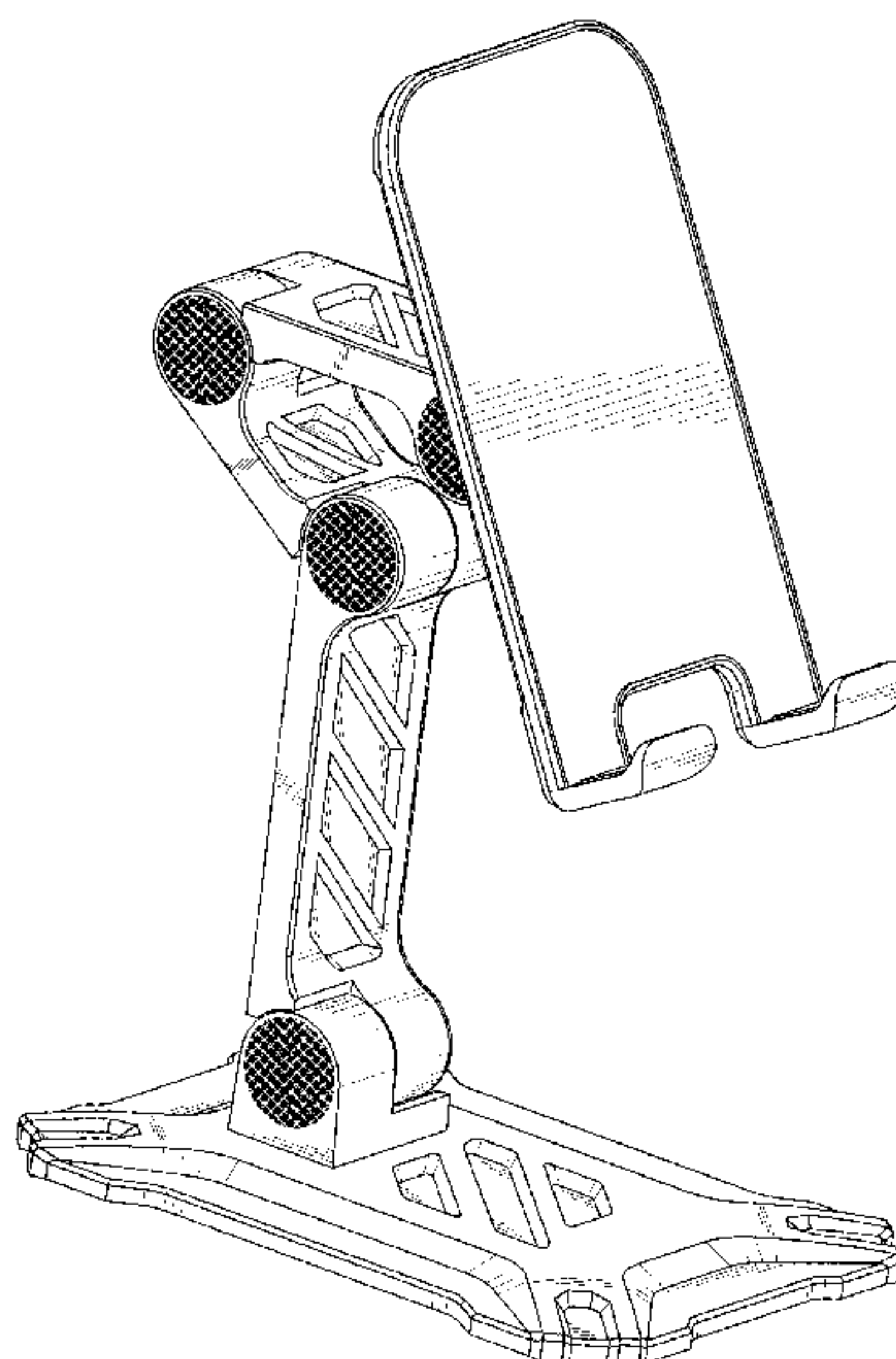
(57) **CLAIM**

The ornamental design for stand for electronic devices, as shown and described.

DESCRIPTION

FIG. 1 is a perspective view of a stand for electronic devices showing my new design;
FIG. 2 is a front view thereof;
FIG. 3 is a rear view thereof;
FIG. 4 is a left side view thereof
FIG. 5 is a right side view thereof;
FIG. 6 is a top plan view thereof;
FIG. 7 is a bottom plan view thereof;
FIG. 8 is a perspective view thereof in a closed state; and,
FIG. 9 is an enlarged view of portion A shown in FIG. 8.
The broken lines depict portions of the stand for electronic devices and form no part of the claimed design.

1 Claim, 9 Drawing Sheets



(56)

References Cited

U.S. PATENT DOCUMENTS

D965,602 S	*	10/2022	Hu	D14/447
D970,513 S	*	11/2022	Li	D14/447
D971,222 S	*	11/2022	Pan	D14/447
D971,224 S	*	11/2022	Yang	D14/447

* cited by examiner

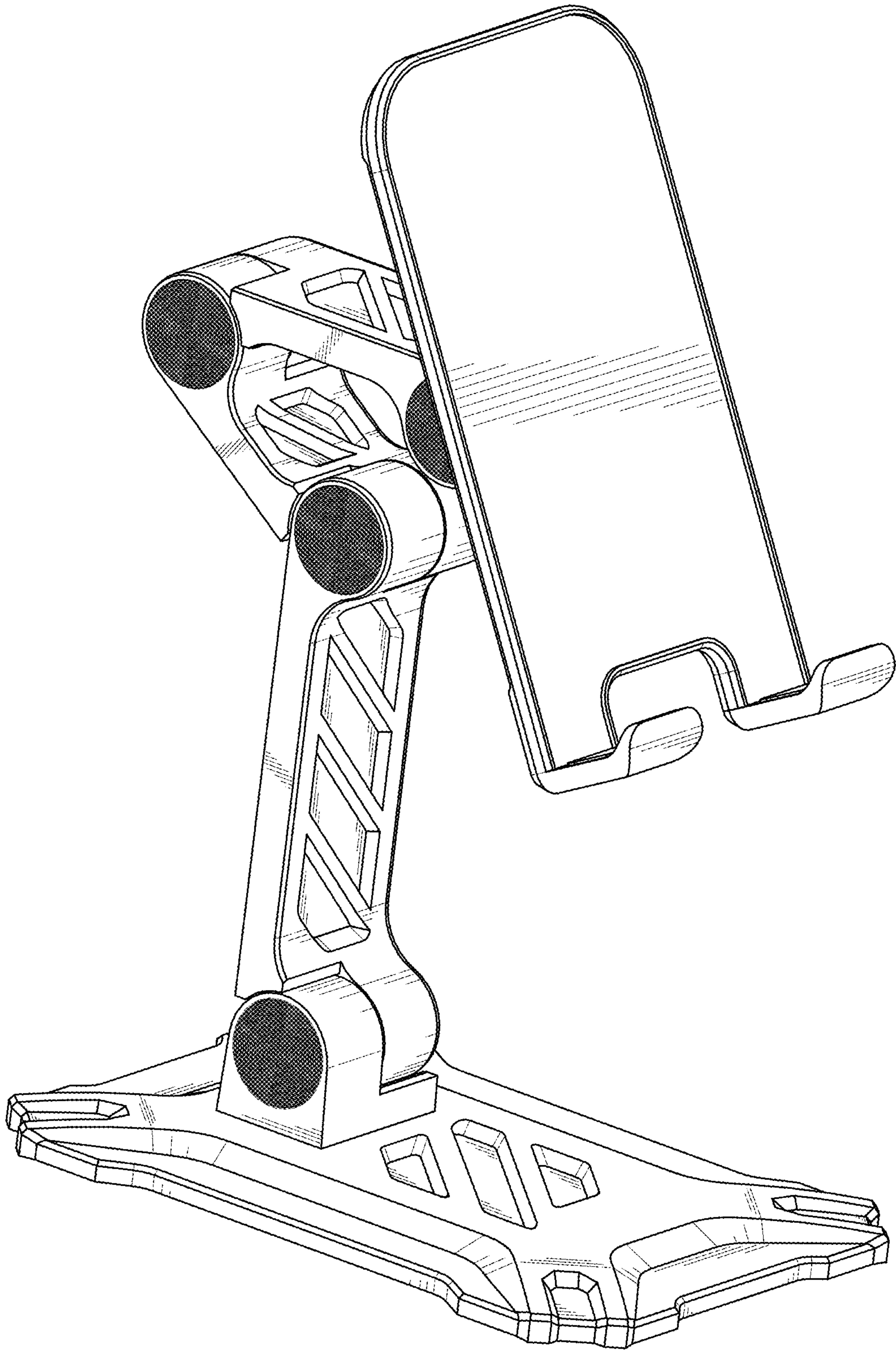


FIG. 1

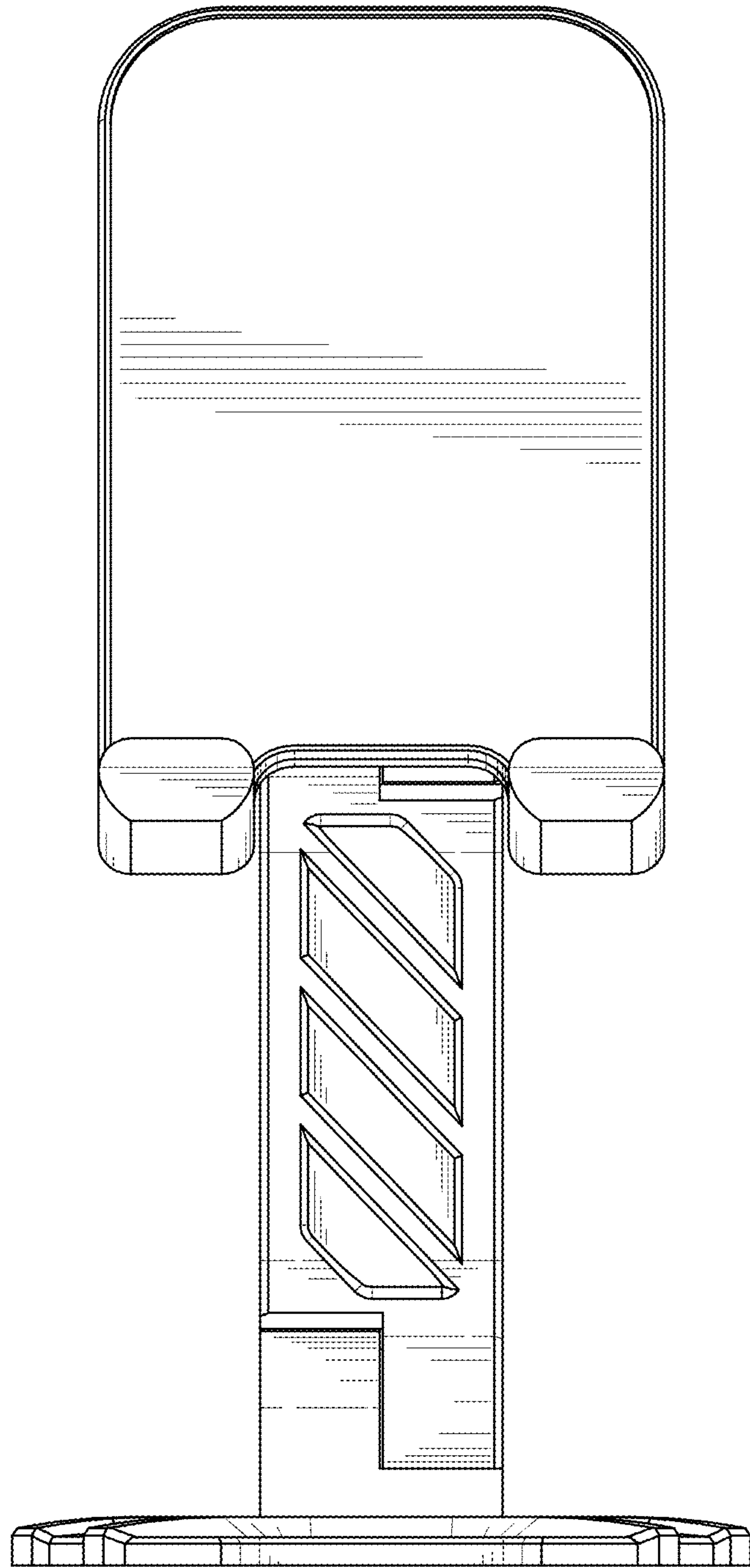


FIG. 2

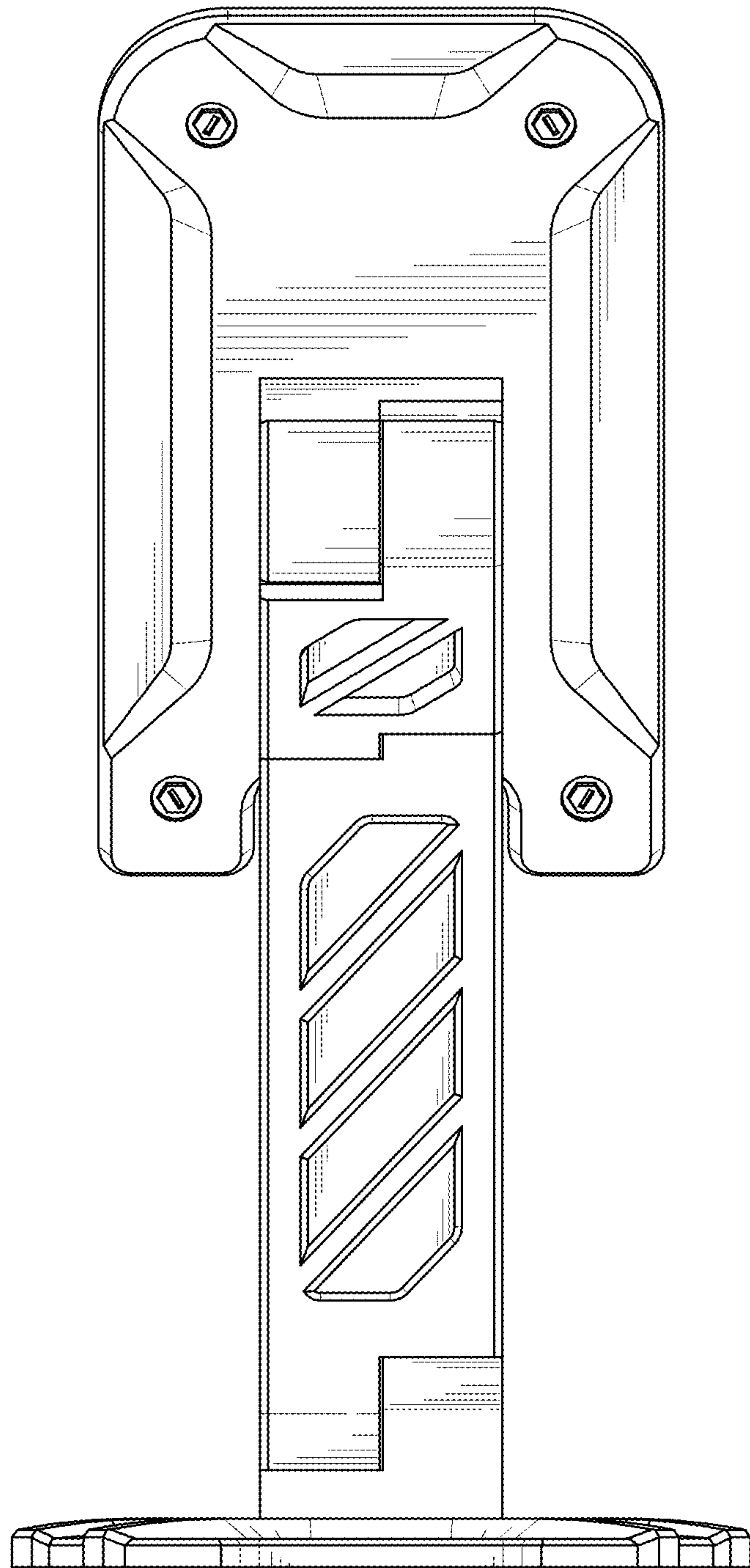


FIG. 3

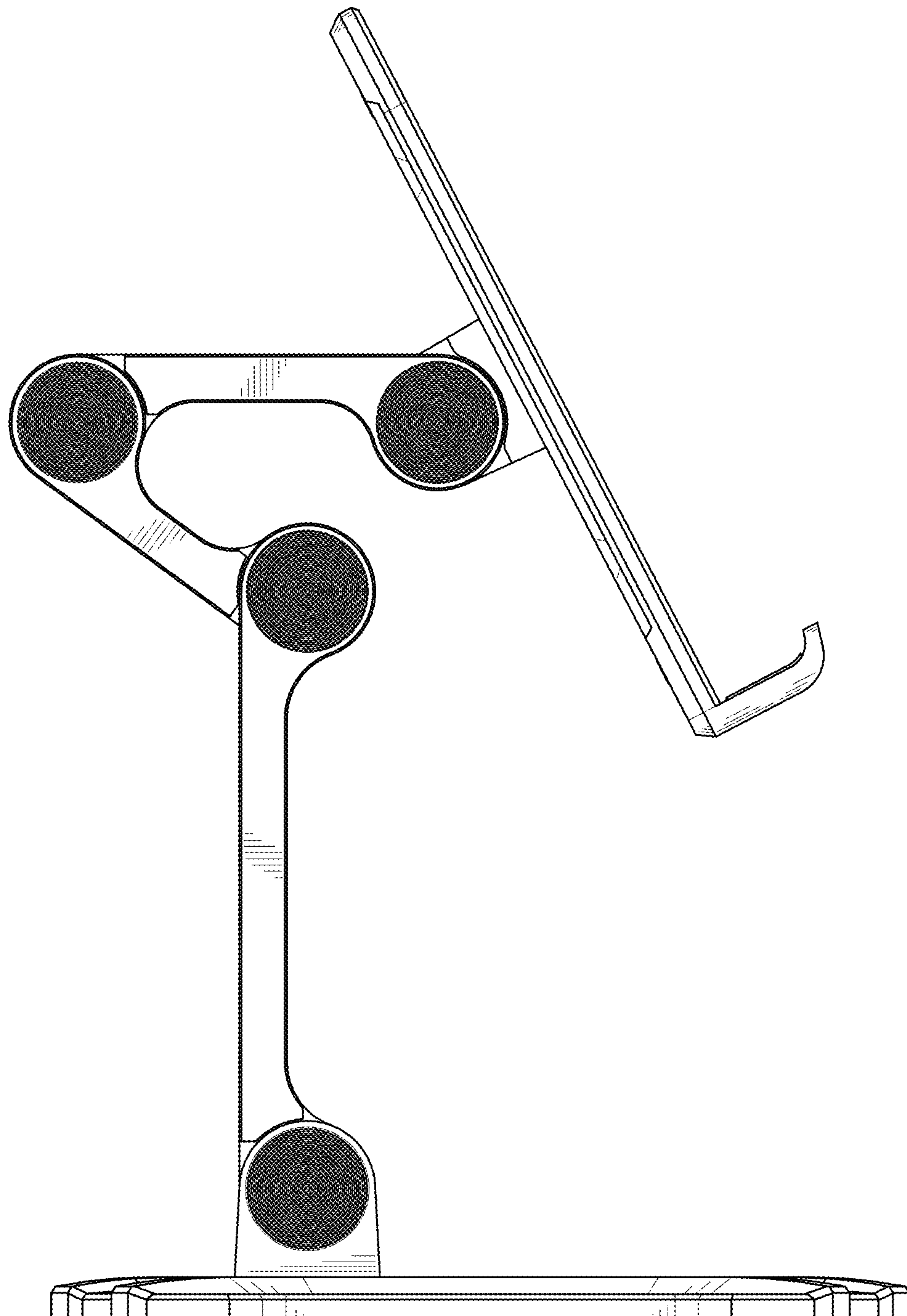


FIG. 4

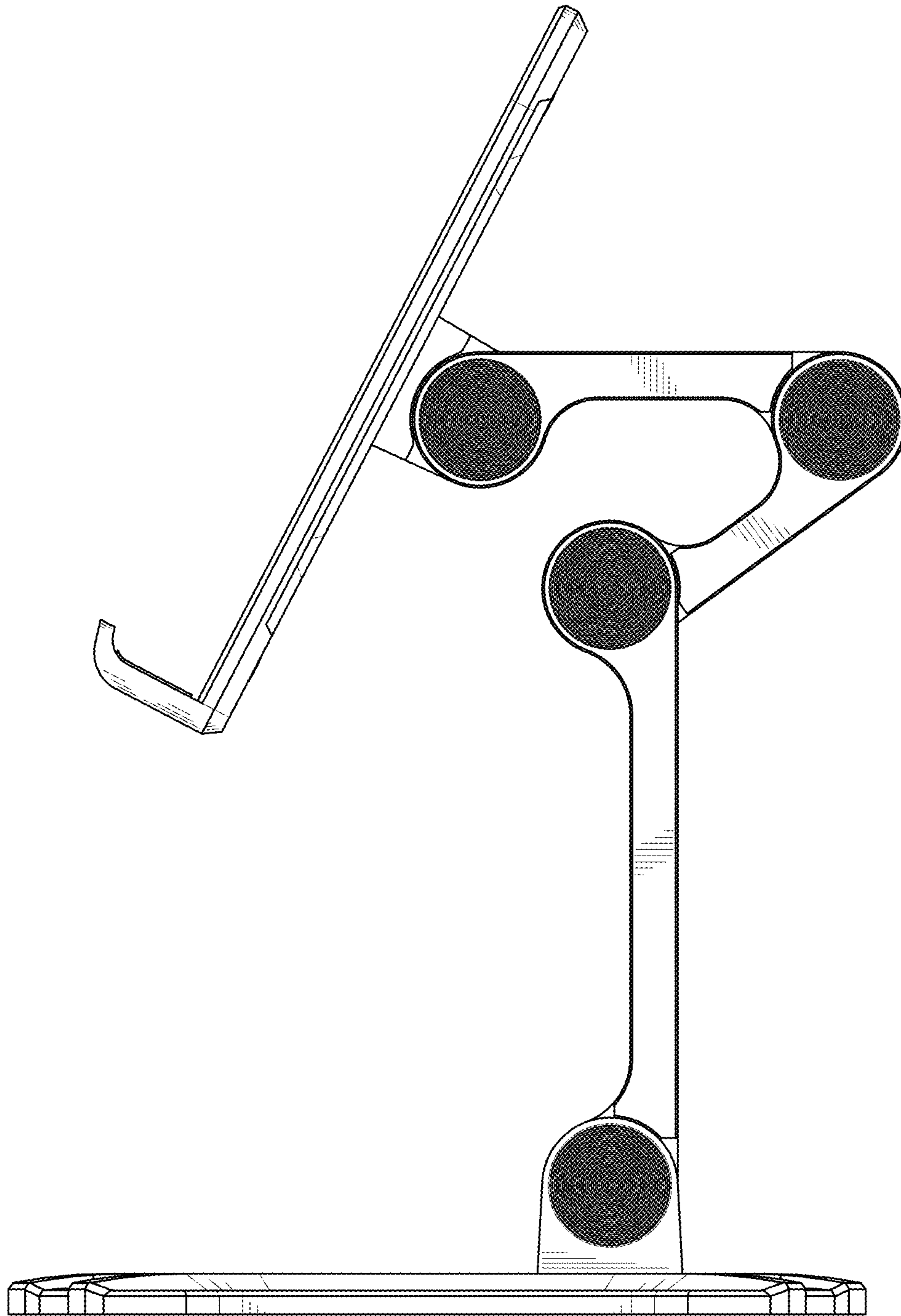


FIG. 5

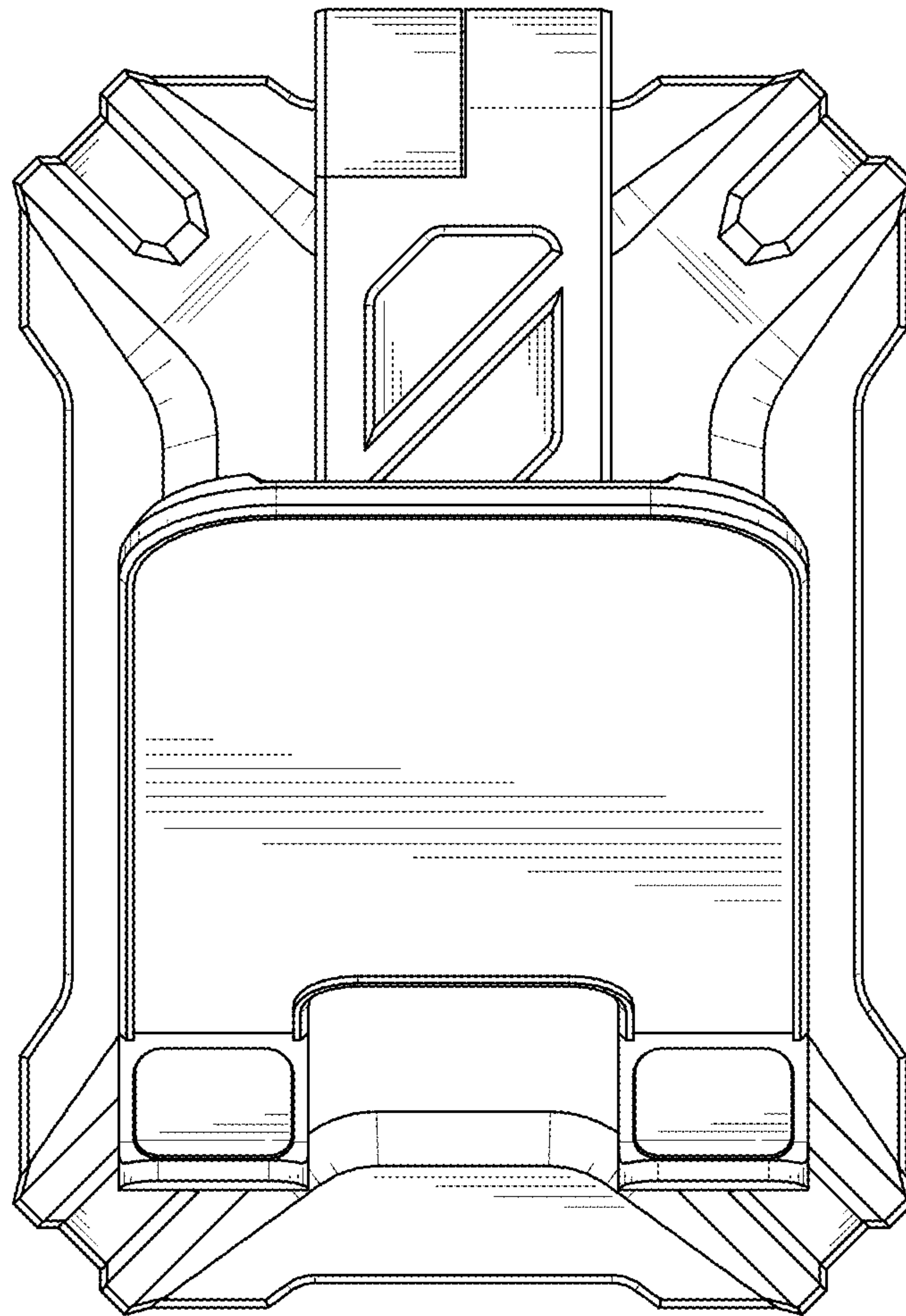


FIG. 6

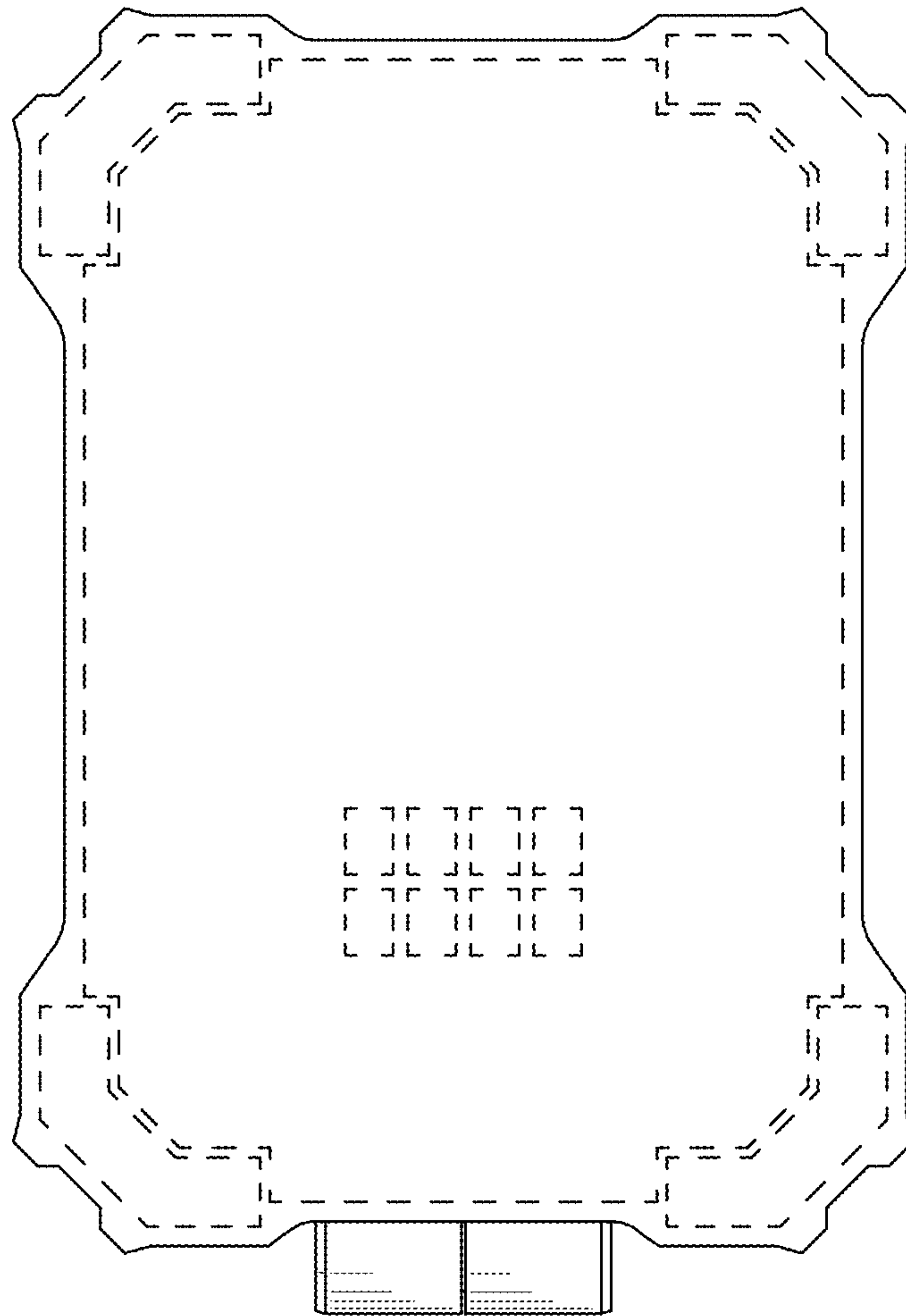


FIG. 7

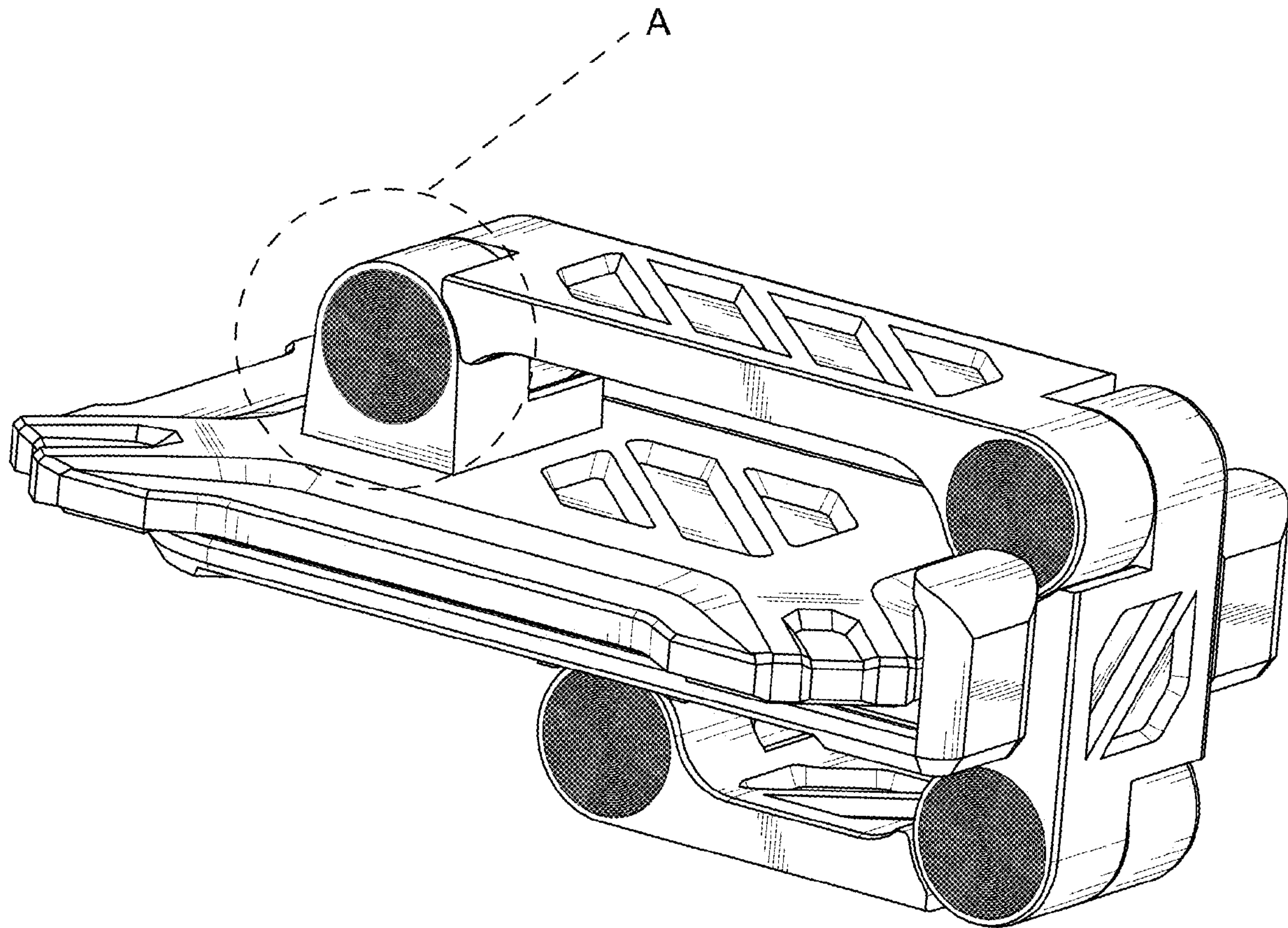


FIG. 8

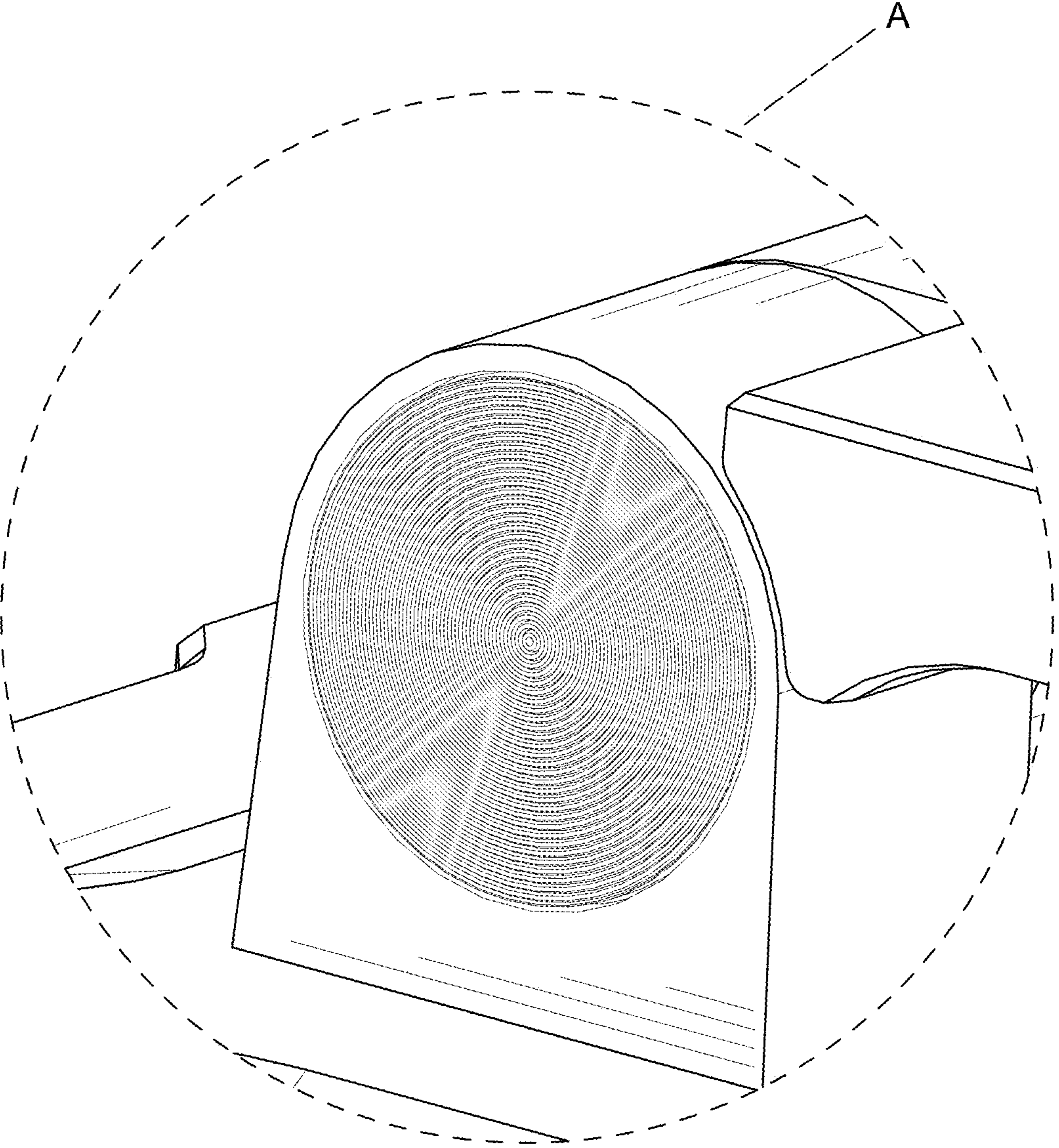


FIG. 9