



US00D983183S

(12) **United States Design Patent**
Jobe et al.

(10) **Patent No.:** **US D983,183 S**
(45) **Date of Patent:** **** Apr. 11, 2023**

(54) **MOBILE DEVICE CASE WITH INTEGRATED STUN GUN**

(71) Applicants: **Joseph G. Jobe**, Baton Rouge, LA (US); **Thomas L. Buck**, Plant City, FL (US)

(72) Inventors: **Joseph G. Jobe**, Baton Rouge, LA (US); **Thomas L. Buck**, Plant City, FL (US)

(**) Term: **15 Years**

(21) Appl. No.: **29/685,671**

(22) Filed: **Mar. 29, 2019**

(51) **LOC (14) Cl.** **14-03**

(52) **U.S. Cl.**
USPC **D14/250**

(58) **Field of Classification Search**
USPC D14/143, 199, 201, 202, 217, 250, 251, D14/253, 440, 447, 316; D13/103, 119
CPC H04M 1/0283; H04M 1/0202; A45C 1/06; A45C 2011/002; A45C 11/00; A45F 2005/028; A45F 2200/0525
See application file for complete search history.

(56) **References Cited**

U.S. PATENT DOCUMENTS

D460,411 S *	7/2002	Wang	D13/103
D556,681 S *	12/2007	Kim	D3/218
D609,463 S *	2/2010	Bullen	D3/218
D616,360 S *	5/2010	Huang	D13/103
D616,361 S *	5/2010	Huang	D13/103
D648,716 S *	11/2011	Jones, III	D14/250

(Continued)

FOREIGN PATENT DOCUMENTS

CN	201630401599.X S	12/2016
CN	201620899341.1 U	2/2017

(Continued)

OTHER PUBLICATIONS

“Stun Gun iPhone Case” [online]. thisiswhyimbroke.com. [Retrieved on Nov. 19, 2022]. Retrieved from the Internet: <<https://www.thisiswhyimbroke.com/stun-gun-iphone-case/>>.*

(Continued)

Primary Examiner — Mojtaba Tehrani

(74) *Attorney, Agent, or Firm* — R. Andrew Patty, II; Phelps Dunbar LLP

(57) **CLAIM**

The ornamental design for a mobile device case with integrated stun gun, as shown and described.

DESCRIPTION

FIG. 1 is a front perspective view of a mobile device case with integrated stun gun in accordance showing our new design;

FIG. 2 is a front elevation view of the case in FIG. 1;

FIG. 3 is a rear elevation view of the case in FIG. 1;

FIG. 4 is a right side elevation view of the case in FIG. 1;

FIG. 5 is a left side elevation view of the case in FIG. 1;

FIG. 6 is a top elevation view of the case in FIG. 1, with front downwardly disposed;

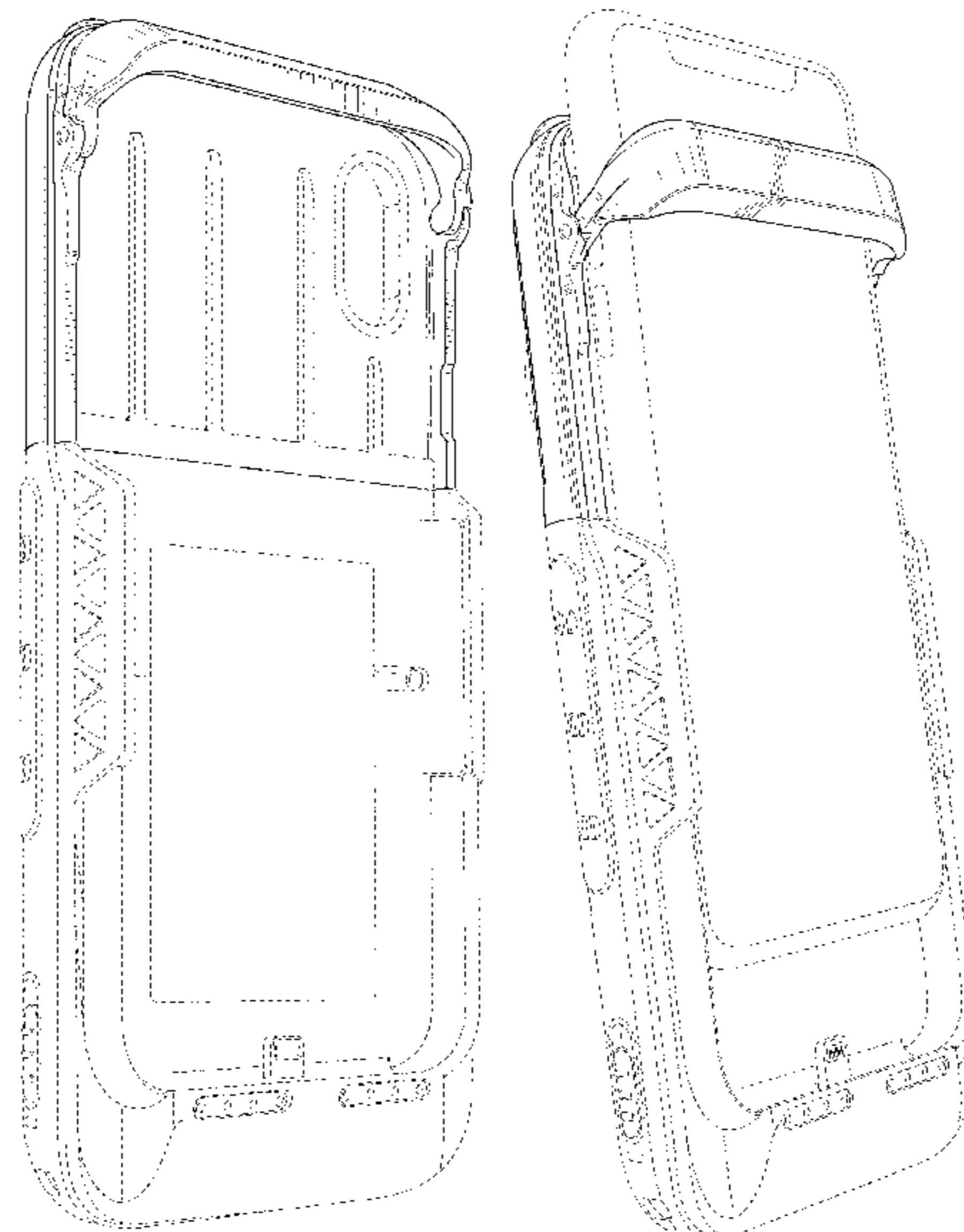
FIG. 7 is a bottom elevation view of the case in FIG. 1, with front upwardly disposed;

FIG. 8 is a front perspective view of the case in FIG. 1, in an open position during use with a mobile device shown in broken line; and,

FIG. 9 is a front perspective view of the case in FIG. 1, in a closed position during use with a mobile device shown in broken line.

The evenly broken line in the drawings depicts unclaimed portions of the mobile device case with integrated stun gun only; the dash-dot type broken line in the drawings depicts unclaimed boundaries of the claim; the broken lines form no part of the claimed design.

1 Claim, 7 Drawing Sheets



(56)

References Cited

U.S. PATENT DOCUMENTS

D653,202 S * 1/2012 Hasbrook D13/103
 D671,493 S * 11/2012 Hasbrook D13/119
 D696,213 S 12/2013 Nawaz
 D716,784 S * 11/2014 Wen D14/250
 D716,785 S * 11/2014 White D14/253
 D723,018 S * 2/2015 White D14/250
 D723,530 S * 3/2015 Namminga D14/250
 9,094,100 B2 7/2015 Monti et al.
 D767,485 S * 9/2016 To D13/103
 9,609,093 B2 * 3/2017 Wong H02J 7/0044
 9,641,208 B2 * 5/2017 Sela H04B 1/3888
 D797,091 S * 9/2017 To D14/250
 D797,092 S * 9/2017 To D14/250
 D797,093 S * 9/2017 To D14/250
 9,755,444 B2 * 9/2017 To H04B 1/3888
 9,831,905 B1 11/2017 Flores et al.
 10,075,826 B2 9/2018 Lee
 D835,087 S * 12/2018 Wilder D14/172
 D841,637 S * 2/2019 Kim D14/250
 D850,373 S * 6/2019 Zhang D13/108
 D852,178 S * 6/2019 Batta D14/250
 D852,179 S * 6/2019 Batta D14/250
 D858,505 S * 9/2019 Zhang D13/103
 D860,179 S * 9/2019 Dang D14/250
 D861,654 S * 10/2019 Dang D14/250
 D865,741 S * 11/2019 Hawes D14/250
 D869,453 S * 12/2019 Wilder D14/250
 10,498,872 B2 * 12/2019 McCuskey H04M 1/72409
 D874,451 S * 2/2020 Yu D14/250
 10,605,575 B2 * 3/2020 Froom F41H 13/0018

D881,177 S * 4/2020 Yang D14/250
 D884,691 S * 5/2020 Wilder D14/250
 D885,375 S * 5/2020 Haskell D14/250
 D896,213 S * 9/2020 Lee D14/250
 D907,021 S * 1/2021 Han D14/250
 D908,681 S * 1/2021 Coverstone D13/103
 D908,684 S * 1/2021 Coverstone D13/103
 D930,639 S * 9/2021 Hurt D14/250
 D933,643 S * 10/2021 Liao D14/250
 11,240,359 B2 * 2/2022 Wilson A45F 5/00
 2003/0095374 A1 5/2003 Richardson
 2011/0284407 A1 11/2011 Connolly
 2013/0092565 A1 4/2013 Swope
 2013/0244724 A1 9/2013 Monti et al.
 2016/0069651 A1 3/2016 Gull Gazit
 2016/0120011 A1 4/2016 Lee
 2018/0146084 A1 5/2018 Diebel
 2020/0076936 A1 * 3/2020 Wilson H04M 1/0279
 2022/0182095 A1 * 6/2022 Jobe H04B 1/3888

FOREIGN PATENT DOCUMENTS

KR 20110068190 A 6/2011
 KR 20140053486 A 5/2014
 KR 101487269 B1 1/2015

OTHER PUBLICATIONS

A PDF of the website of Yellow Jacket Case as it appeared in Jun. 2017 and obtained from Wayback Machines archive website. Website visited Jun. 26, 2019. 7 pages.

* cited by examiner

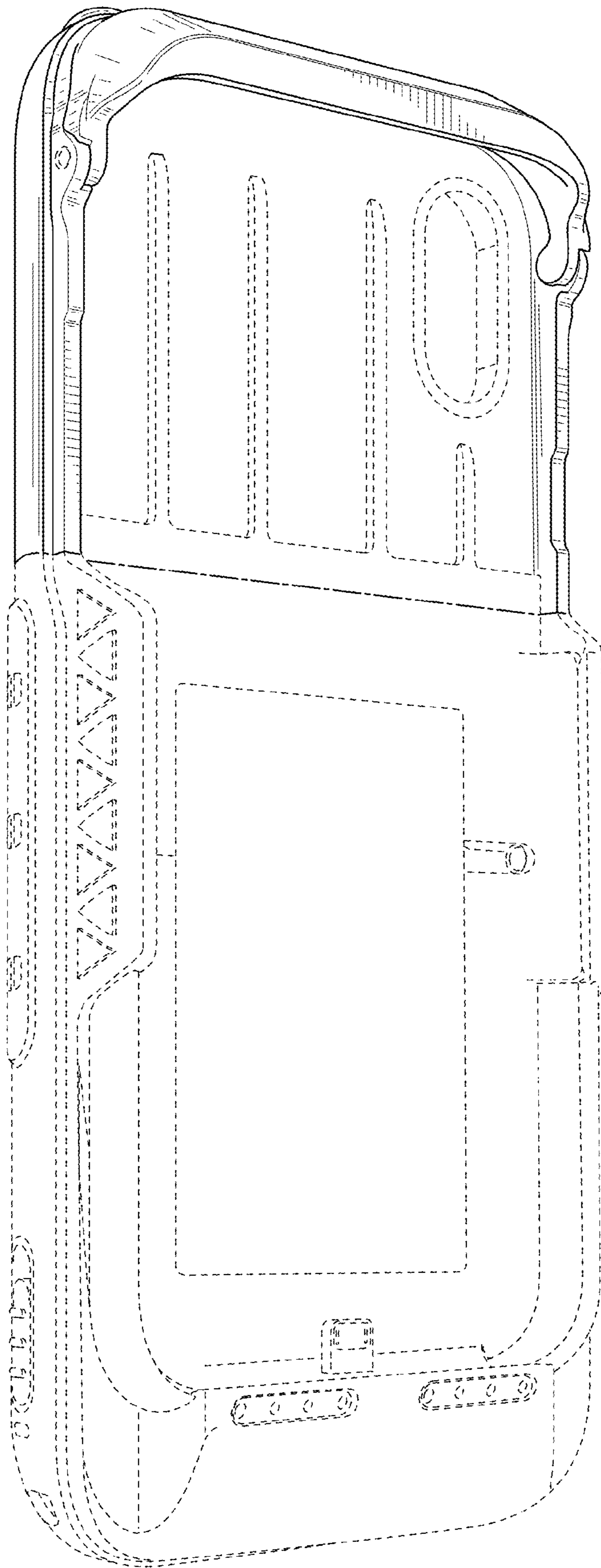


FIG. 1

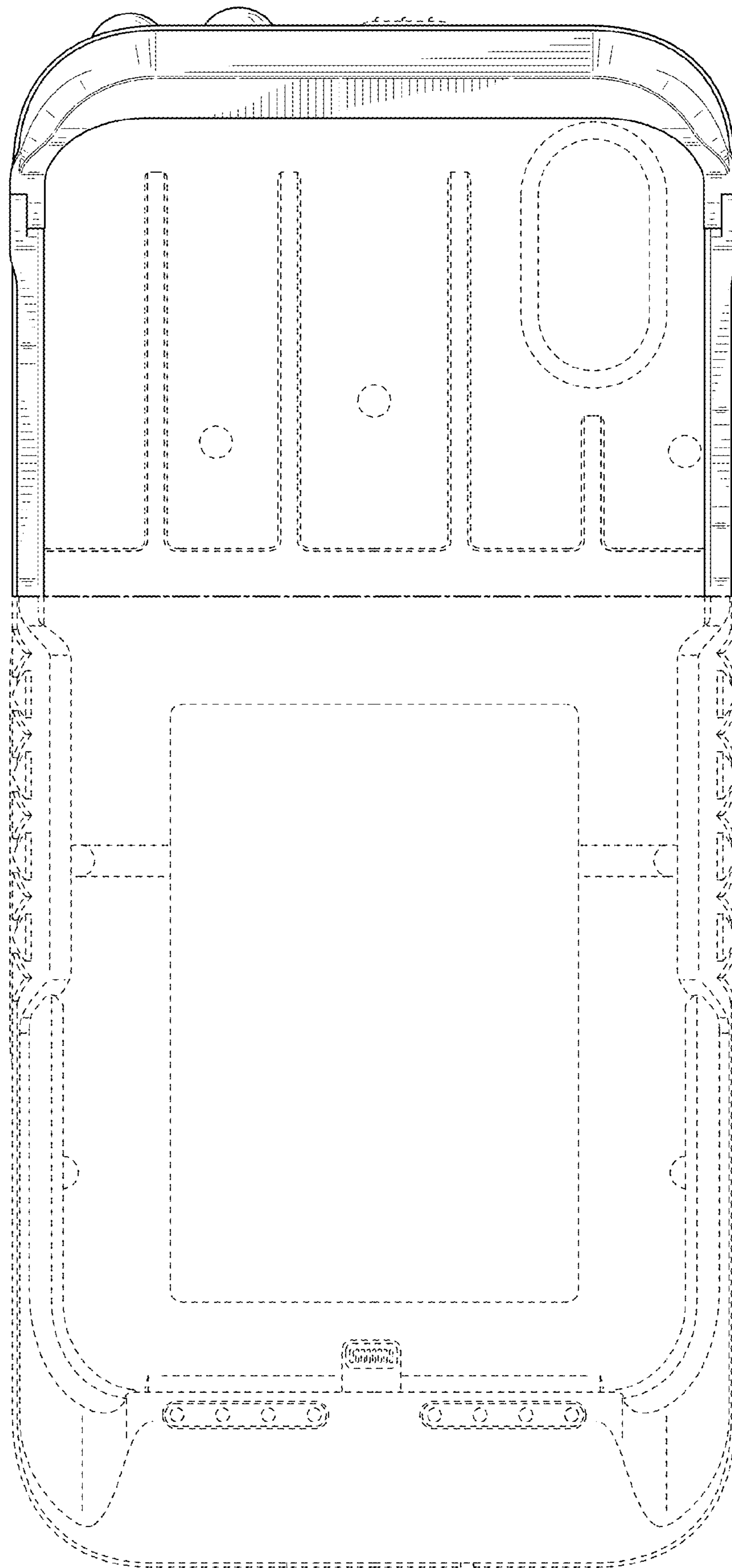


FIG. 2

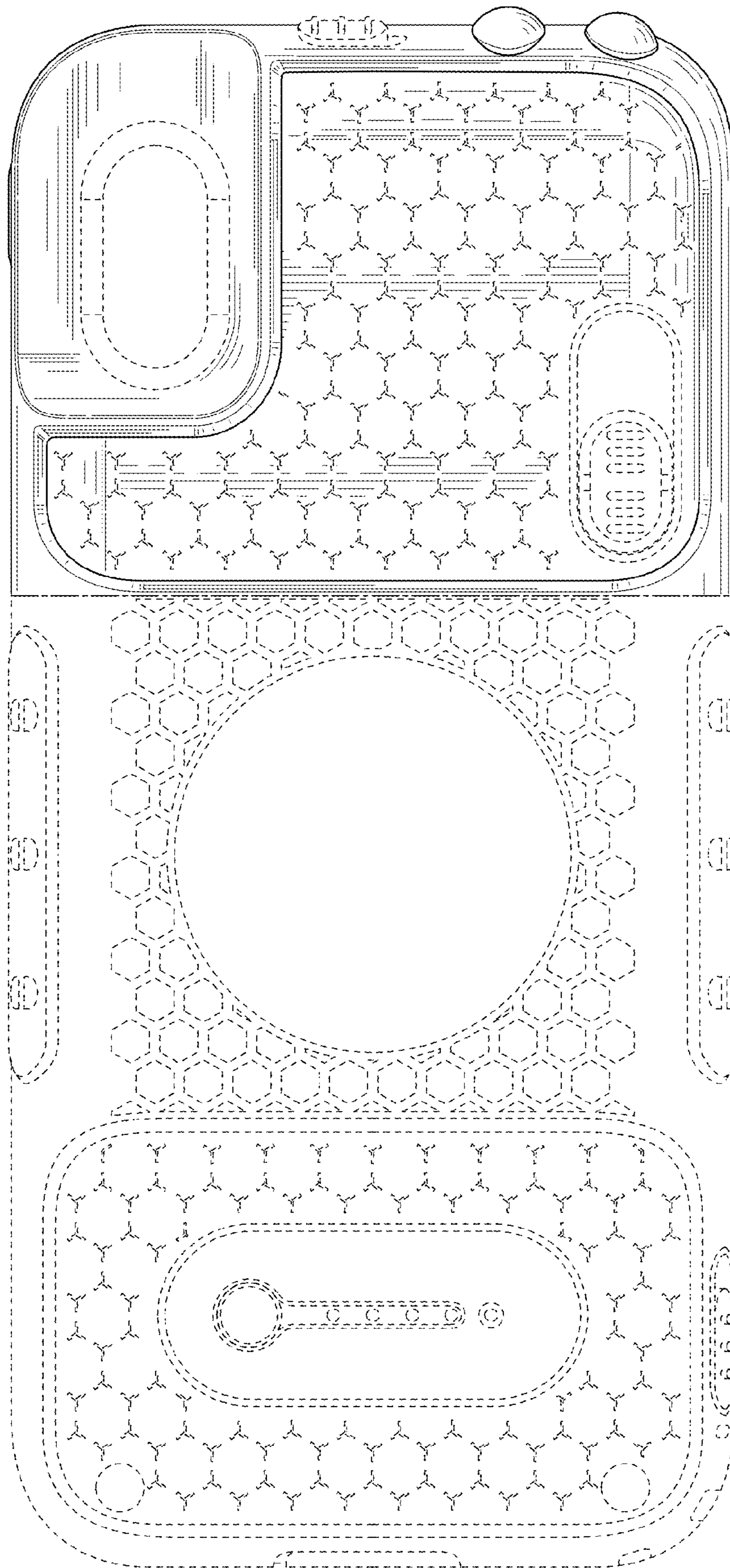
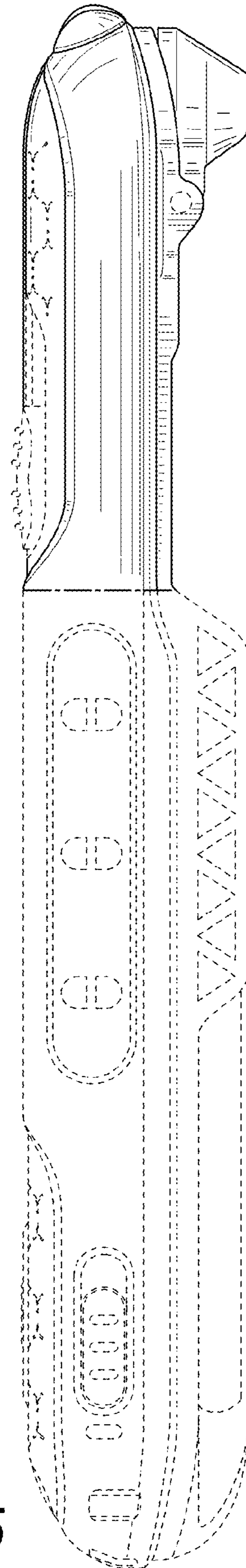
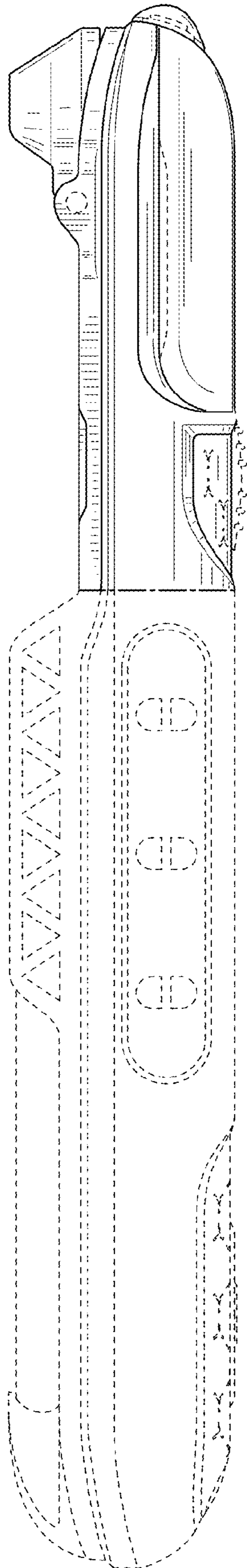


FIG. 3



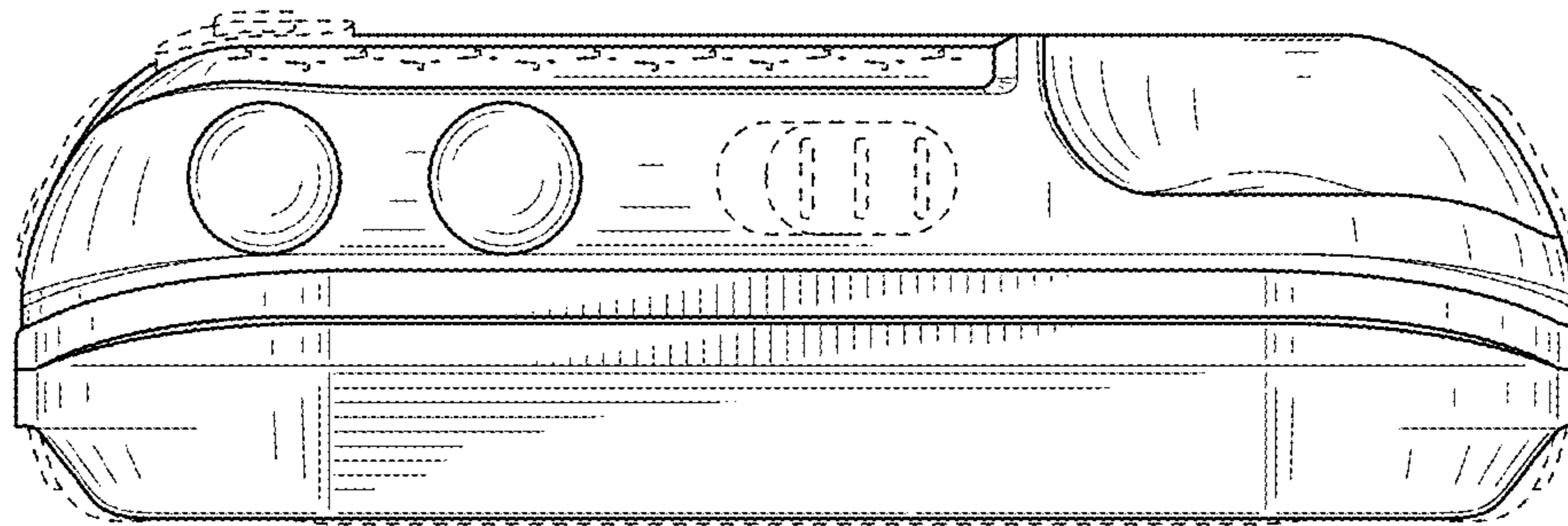


FIG. 6

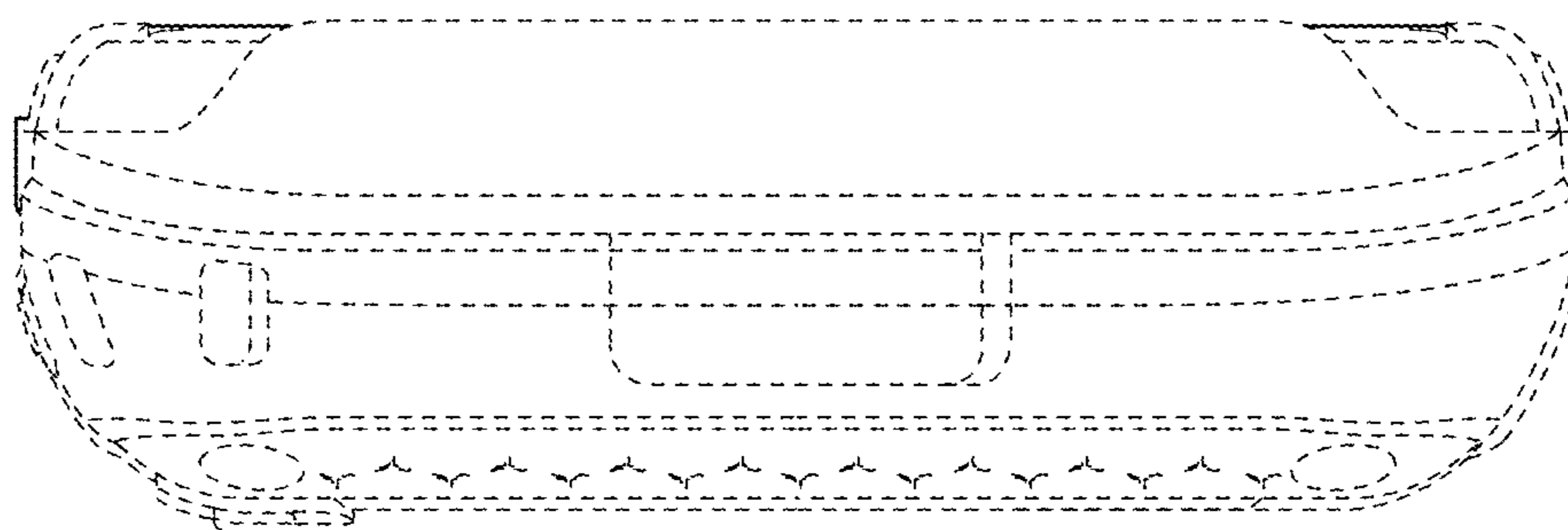


FIG. 7

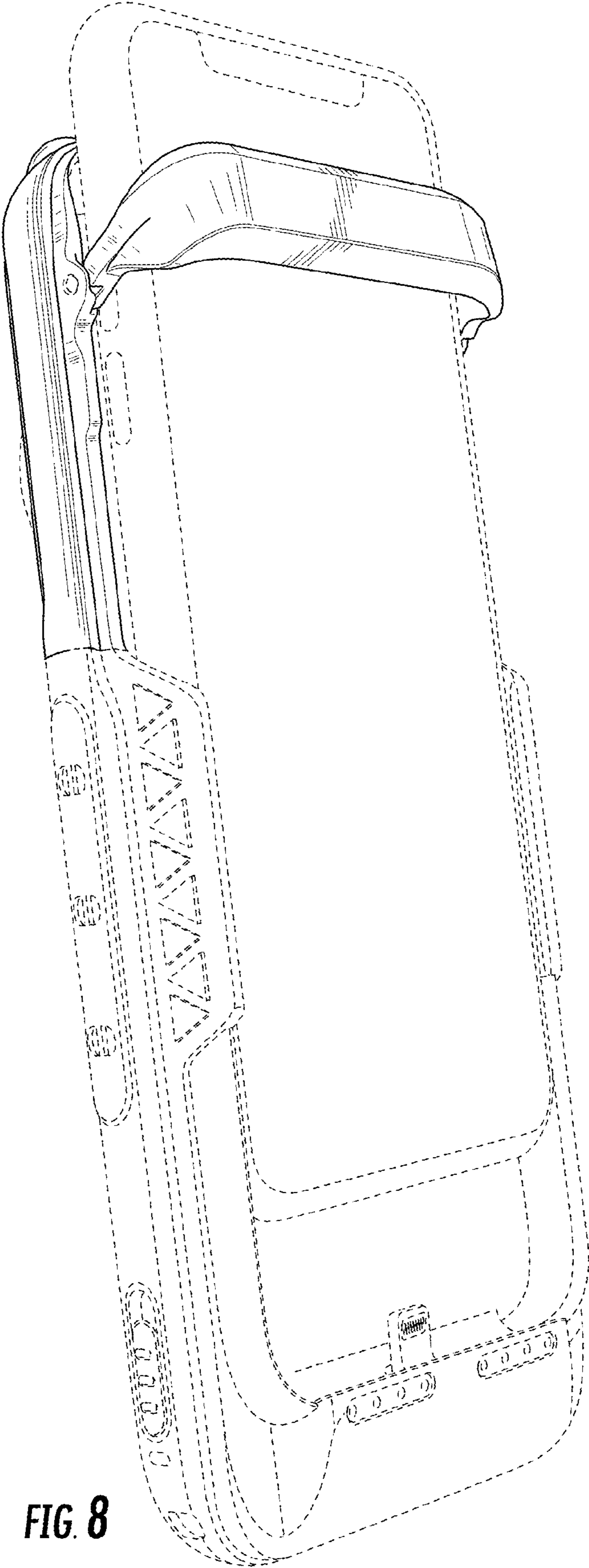


FIG. 8

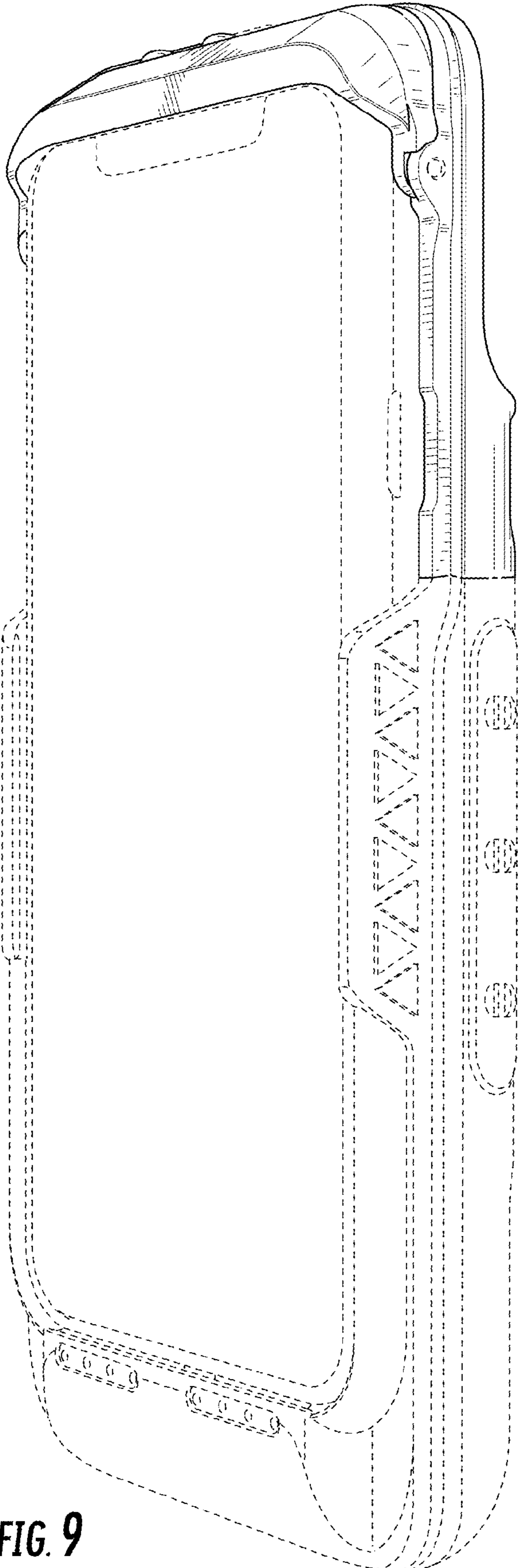


FIG. 9