



US00D983180S

(12) **United States Design Patent**
Li et al.

(10) **Patent No.:** **US D983,180 S**

(45) **Date of Patent:** **** Apr. 11, 2023**

- (54) **WIRELESS DATA TRANSCEIVER**
- (71) Applicant: **CHENGDU EBYTE ELECTRONIC TECHNOLOGY CO., LTD.**, Chengdu (CN)
- (72) Inventors: **Yong Li**, Mianyang (CN); **Yu Tan**, Chengdu (CN)
- (73) Assignee: **CHENGDU EBYTE ELECTRONIC TECHNOLOGY CO., LTD.**, Chengdu (CN)

D684,956 S *	6/2013	Deck	D13/110
D685,324 S *	7/2013	Deck	D13/110
D685,354 S *	7/2013	Deck	D13/110
D853,996 S *	7/2019	Wild	D14/240
D858,495 S *	9/2019	Wild	D14/240
D858,496 S *	9/2019	Wild	D14/240
D943,563 S *	2/2022	Williamson	D14/240
D949,851 S *	4/2022	Ohtani	D10/75
D949,852 S *	4/2022	Ohtani	D10/75
D949,853 S *	4/2022	Ohtani	D10/75
D958,129 S *	7/2022	Williamson	D14/240

(**) Term: **15 Years**

(21) Appl. No.: **29/803,528**

(22) Filed: **Aug. 13, 2021**

(51) **LOC (14) Cl.** **14-03**

(52) **U.S. Cl.**
USPC **D14/240**

(58) **Field of Classification Search**
USPC D14/240, 242, 357, 358, 140-140.9, 155,
D14/125, 348, 349, 351, 354, 355
CPC H04L 12/00; H03K 17/00; H04W 88/00;
H04W 88/005; H04W 88/02; H04W
88/08; H04W 88/085; H04W 88/10;
H04W 88/12; H04W 88/14; H04B 1/38
See application file for complete search history.

(56) **References Cited**

U.S. PATENT DOCUMENTS

D592,666 S *	5/2009	Inada	D14/433
D684,955 S *	6/2013	Deck	D13/110

* cited by examiner

Primary Examiner — Bridget L Eland

(74) *Attorney, Agent, or Firm* — Nitin Kaushik

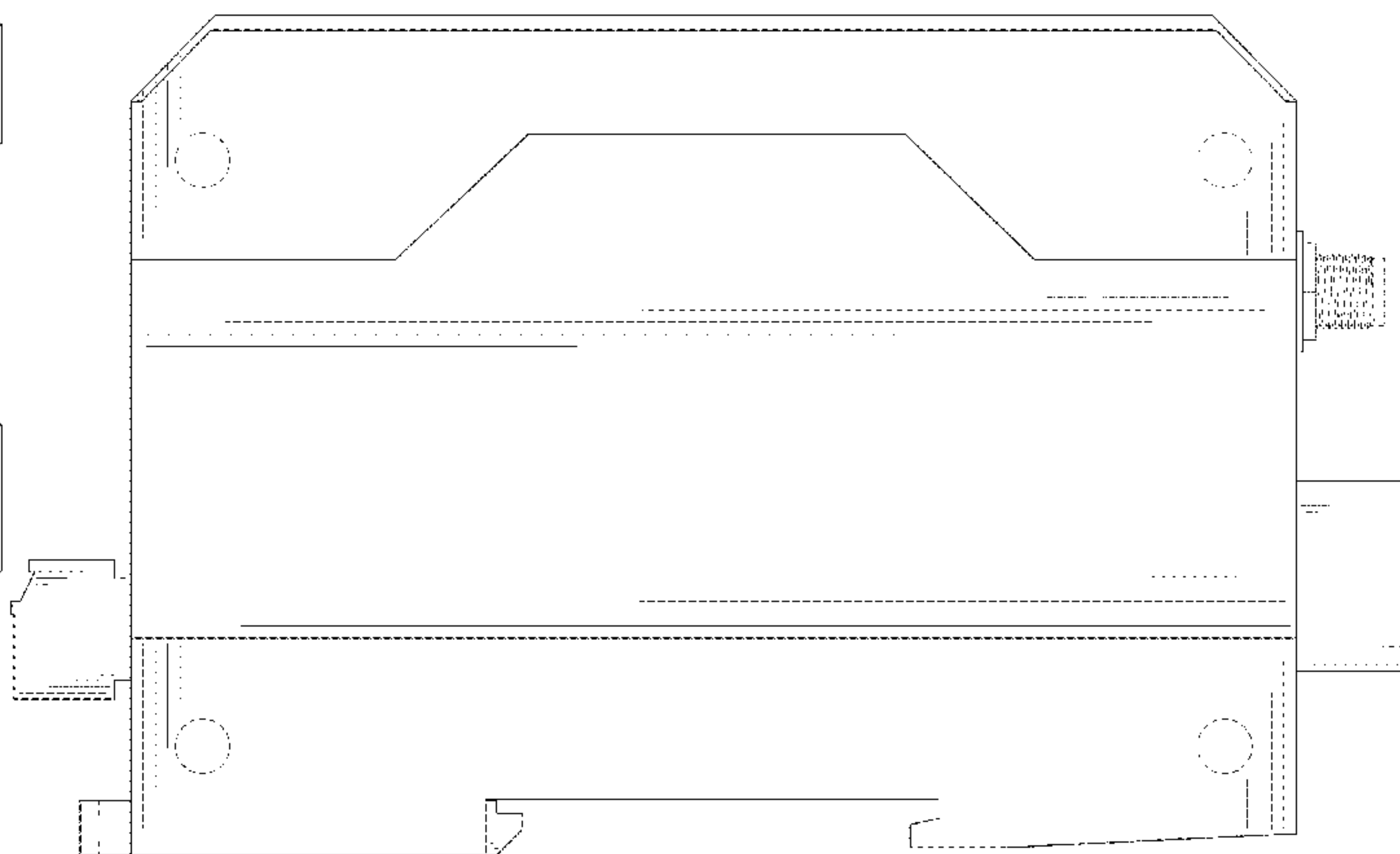
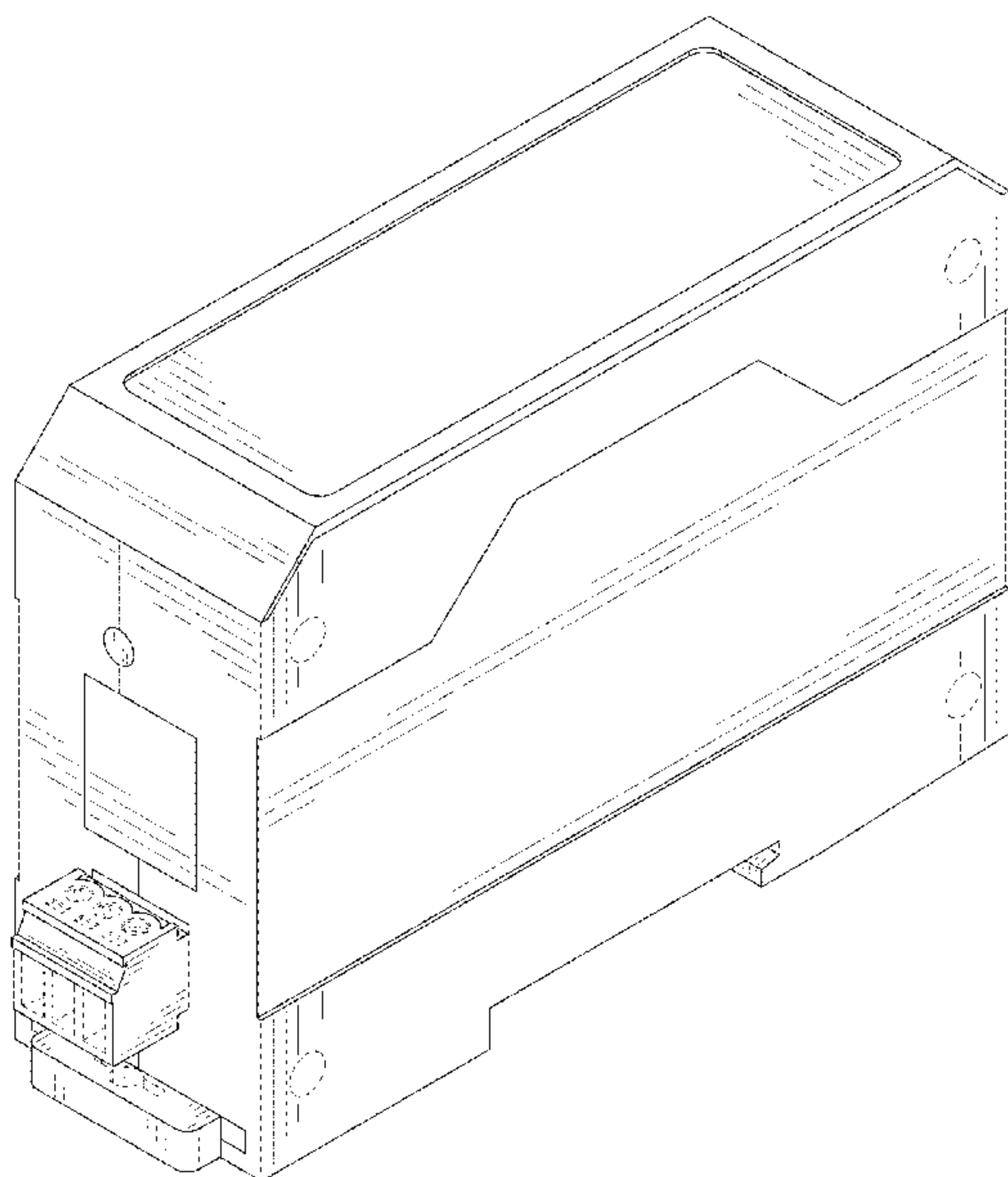
(57) **CLAIM**

The ornamental design for a wireless data transceiver, as shown and described.

DESCRIPTION

FIG. 1 is a perspective view of a wireless data transceiver showing my new design;
FIG. 2 is another perspective view thereof;
FIG. 3 is a front elevational view thereof;
FIG. 4 is a rear elevational view thereof;
FIG. 5 is a left side elevational view thereof;
FIG. 6 is a right side elevational view thereof;
FIG. 7 is a top plan view thereof; and,
FIG. 8 is a bottom plan view thereof.
The broken lines in the drawings depict portions of the wireless data transceiver that form no part of the claimed design.

1 Claim, 8 Drawing Sheets



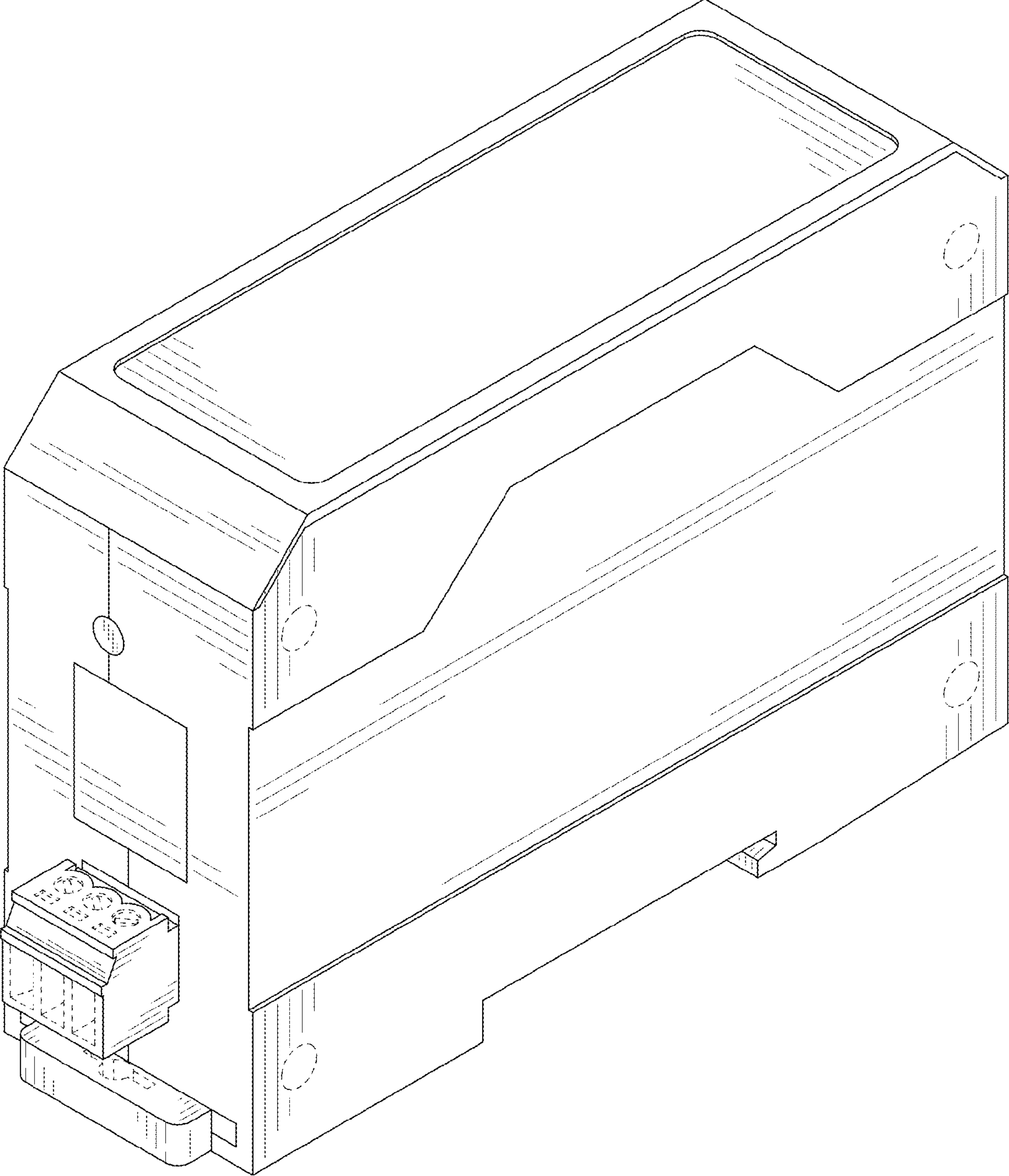


FIG. 1

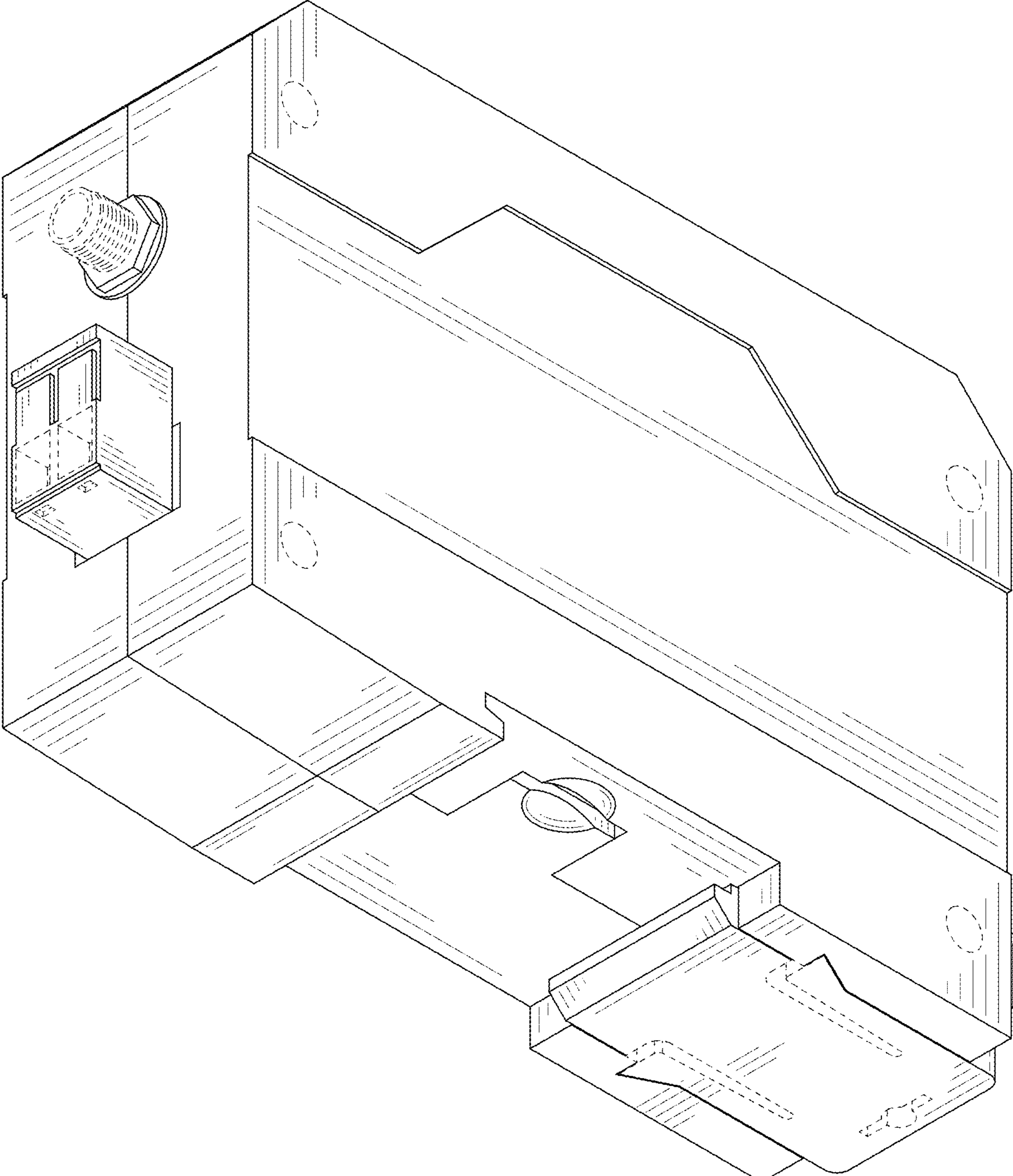


FIG. 2

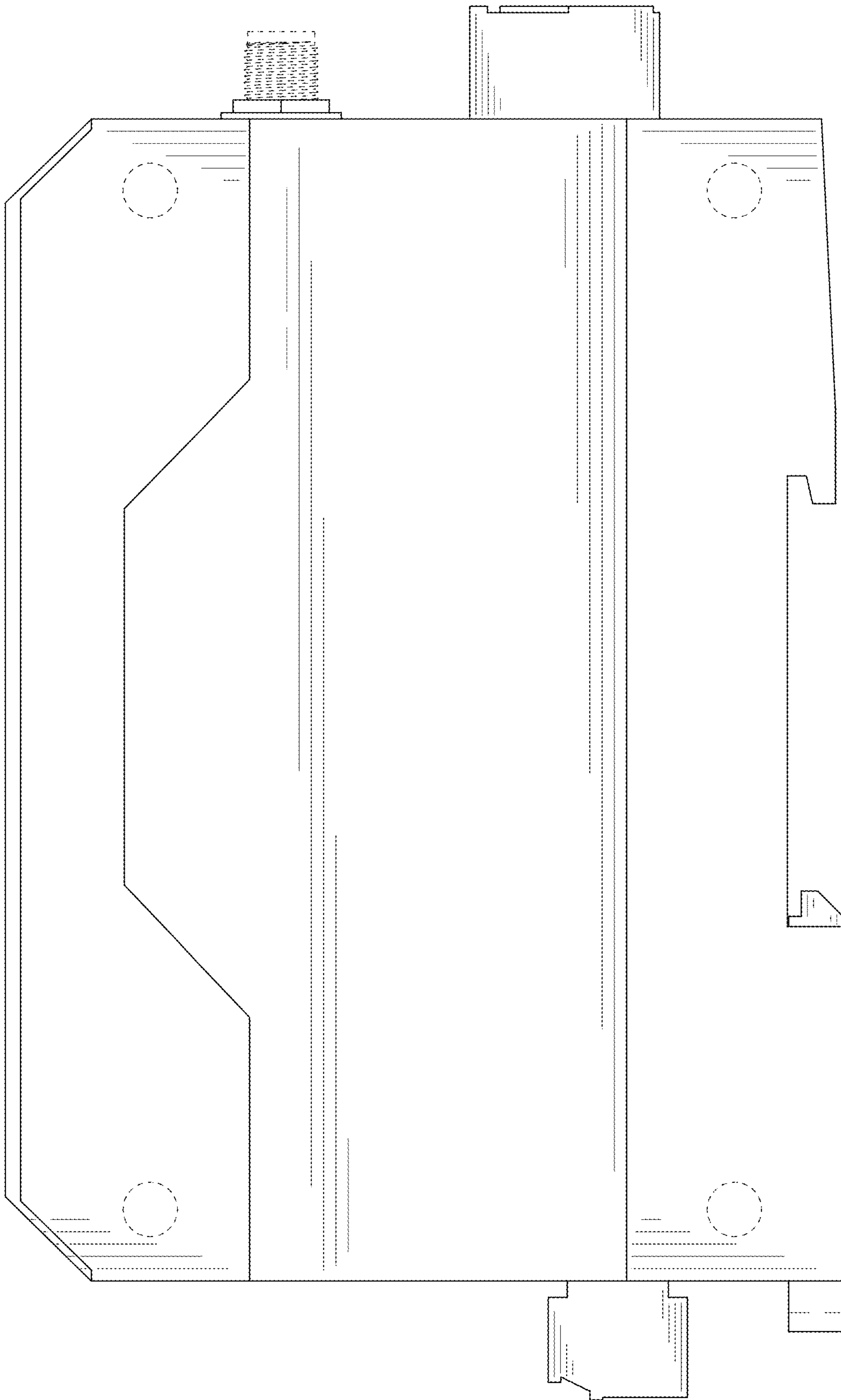


FIG. 3

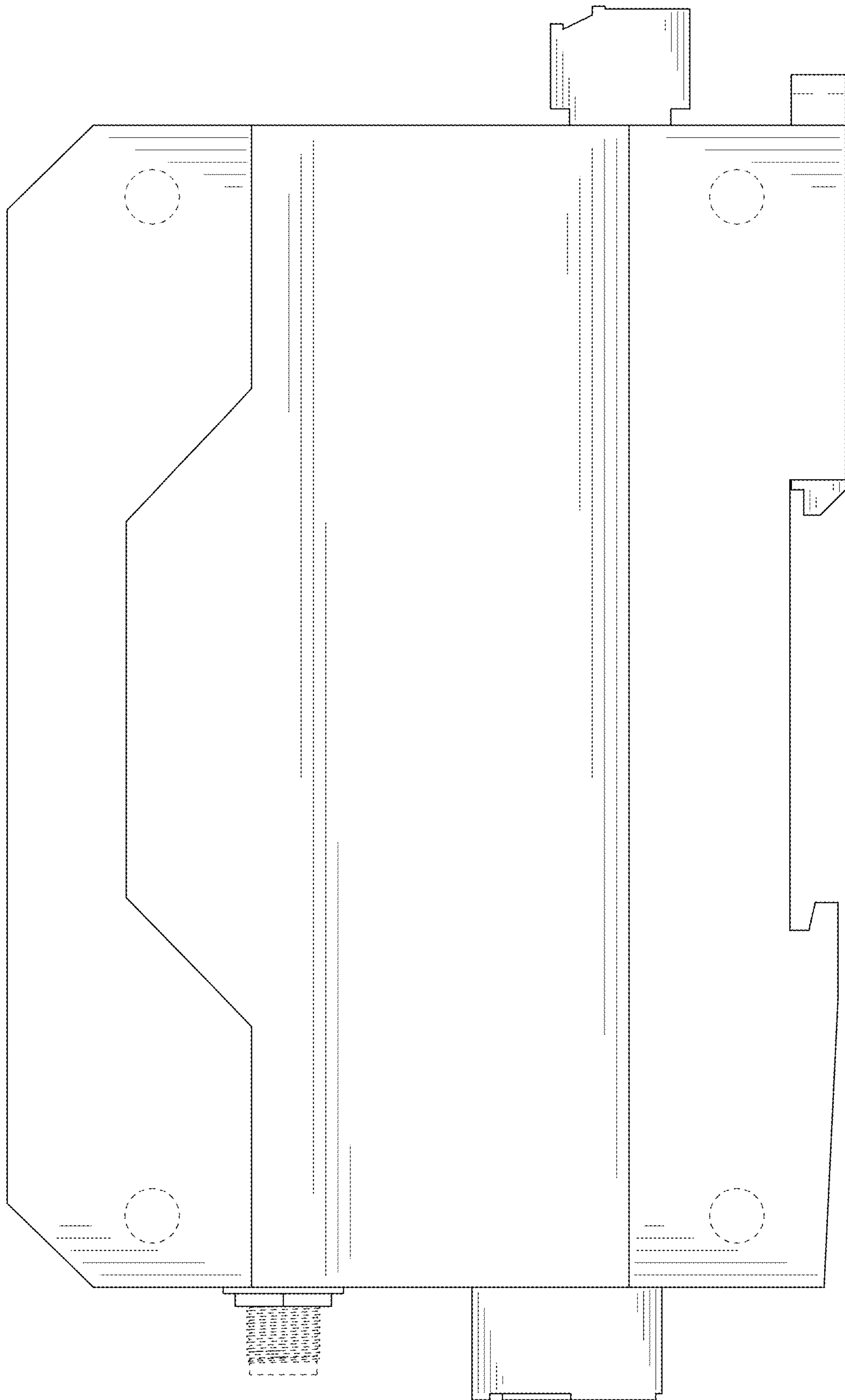


FIG. 4

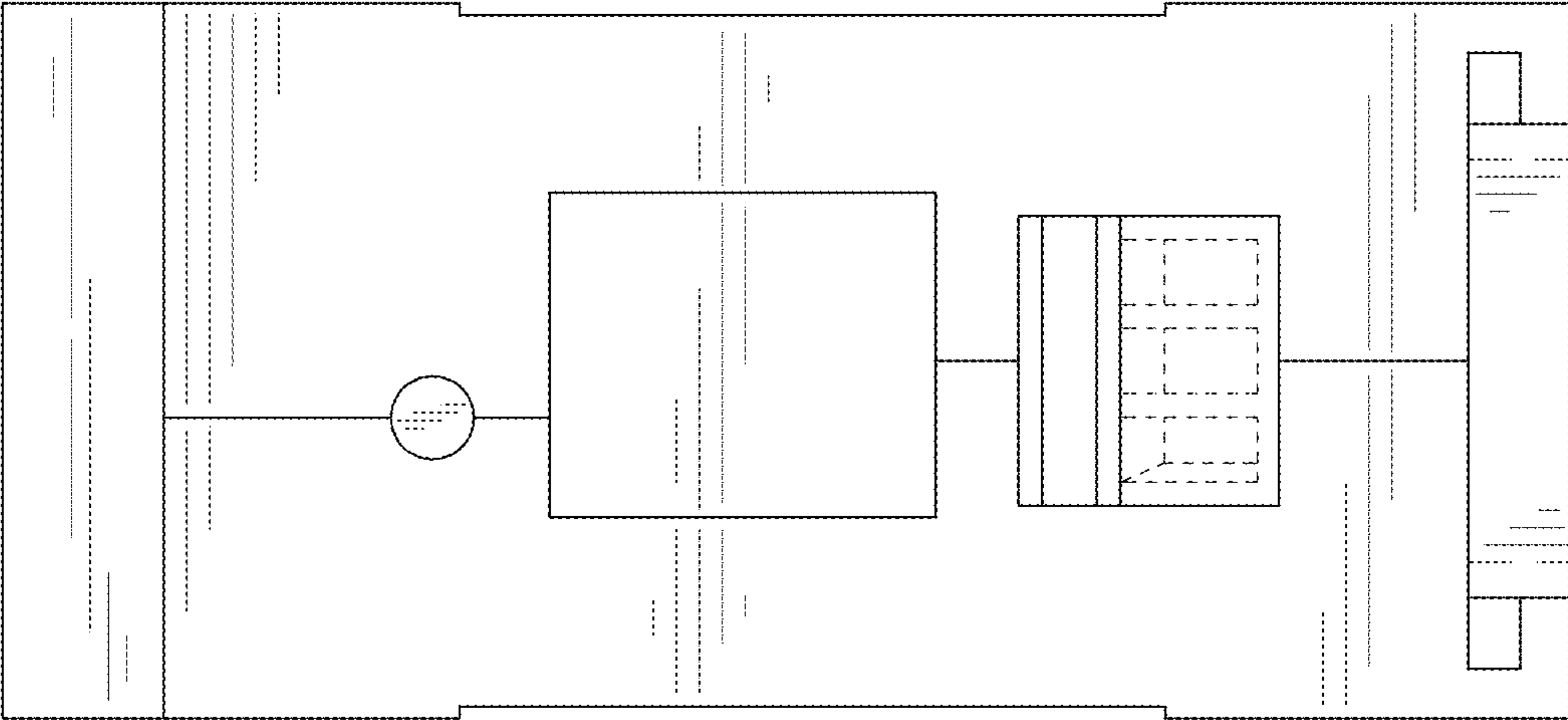


FIG. 5

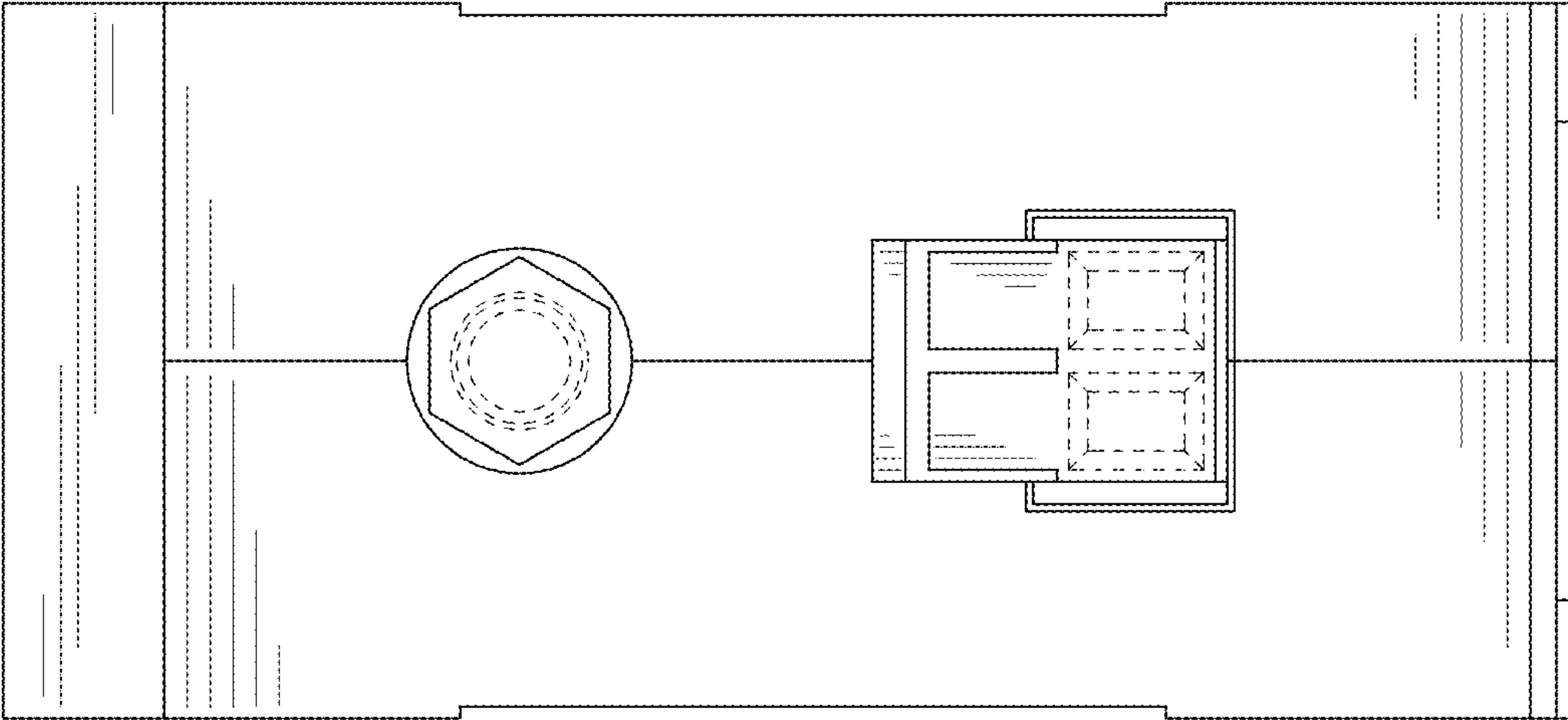


FIG. 6

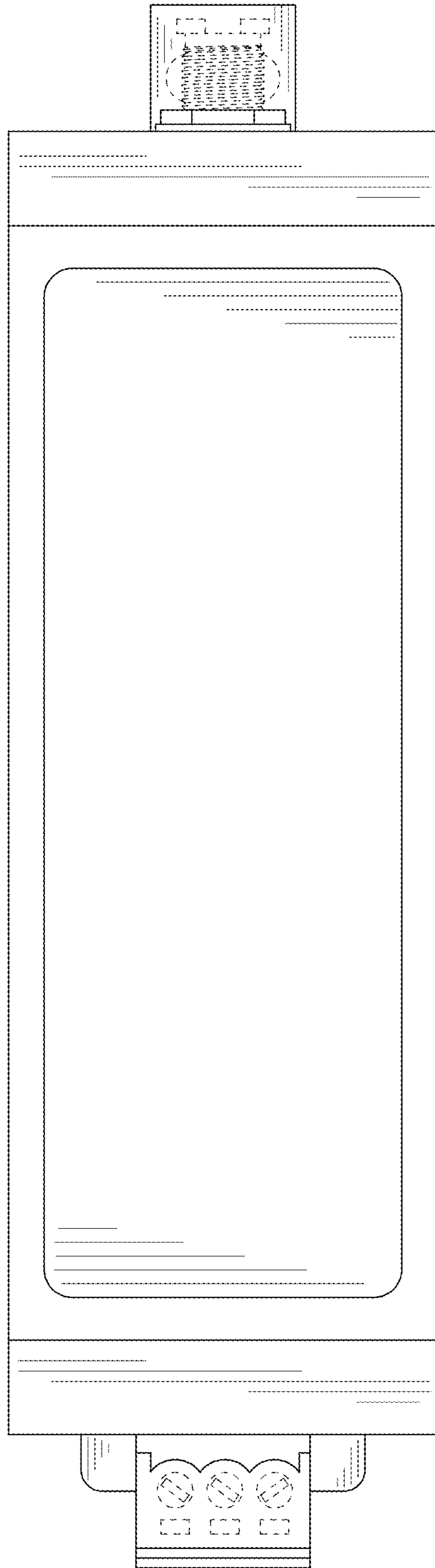


FIG. 7

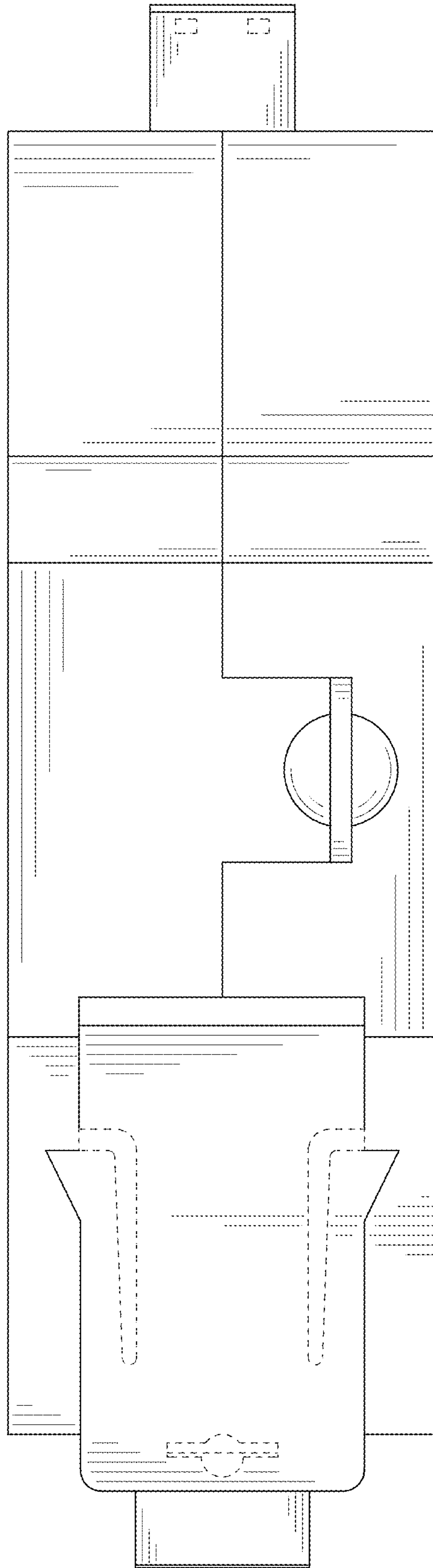


FIG. 8