



US00D983177S

(12) **United States Design Patent**
Boucard et al.

(10) **Patent No.:** **US D983,177 S**
(45) **Date of Patent:** **** Apr. 11, 2023**

(54) **ENDPOINT**

(71) Applicant: **Tesseract Ventures, LLC**, Overland Park, KS (US)

(72) Inventors: **John Boucard**, Overland Park, KS (US); **Jason Harrell**, Overland Park, KS (US); **David Starr**, Leawood, KS (US); **Jeff Chiu**, Chicago, IL (US); **Greg Lorrett**, Kansas City, MO (US)

(73) Assignee: **Tesseract Ventures, LLC**, Overland Park, KS (US)

(**) Term: **15 Years**

(21) Appl. No.: **29/758,806**

(22) Filed: **Nov. 18, 2020**

(51) **LOC (14) Cl.** **14-03**

(52) **U.S. Cl.**
USPC **D14/240; D14/358; D10/106.6**

(58) **Field of Classification Search**
USPC ... D14/140.1, 240, 242, 125, 140, 142, 155, D14/167, 168, 172, 188, 195, 299, 496, D14/197, 198, 230, 348, 351, 356, 357, D14/358, 383, 385; D13/110, 123, 152, D13/158, 162, 162.1, 163, 168, 184, 199, D13/179; D10/104.1, 104.2, 106.1, D10/106.6, 106.7, 106.9, 116.1, 61, 65, D10/75

CPC H05K 5/02; H05K 7/1498; G06K 7/00; G06K 7/0004; G06K 7/0078; G06K 7/0082; G06K 7/01; G08B 13/2402; G08B 13/2468; G08B 13/26

See application file for complete search history.

(56) **References Cited**

U.S. PATENT DOCUMENTS

D277,465 S * 2/1985 MacDonald D10/106.1
D279,871 S * 7/1985 Guscott D10/106.6

D305,881 S * 2/1990 Bergeron D10/106.6
D308,176 S * 5/1990 Soloway D10/106.6
D308,347 S * 6/1990 Bryenton D10/106.6
D317,445 S * 6/1991 Sacherman D14/353
D320,758 S * 10/1991 Lutz D10/104.1
D351,564 S * 10/1994 Schepis D10/104.1
D366,878 S * 2/1996 Wakabayashi D14/242
D418,481 S * 1/2000 Lin D13/152
D427,533 S * 7/2000 Cowan D10/75
D451,479 S * 12/2001 Bateson D13/152
D456,364 S * 4/2002 Suen D13/162
D491,953 S * 6/2004 Arakaki D14/383
D549,119 S * 8/2007 Becker D10/104.1
D594,456 S * 6/2009 Huang D14/358
D595,161 S * 6/2009 Fisher D10/50
D599,797 S * 9/2009 Kim D14/383
D619,582 S * 7/2010 Chen D14/385
D669,079 S * 10/2012 Hansen D14/420
D724,079 S * 3/2015 Probst D14/348
D725,505 S * 3/2015 Arensmeier D10/49

(Continued)

Primary Examiner — Marie D. Fast Horse

(74) *Attorney, Agent, or Firm* — Polsinelli PC

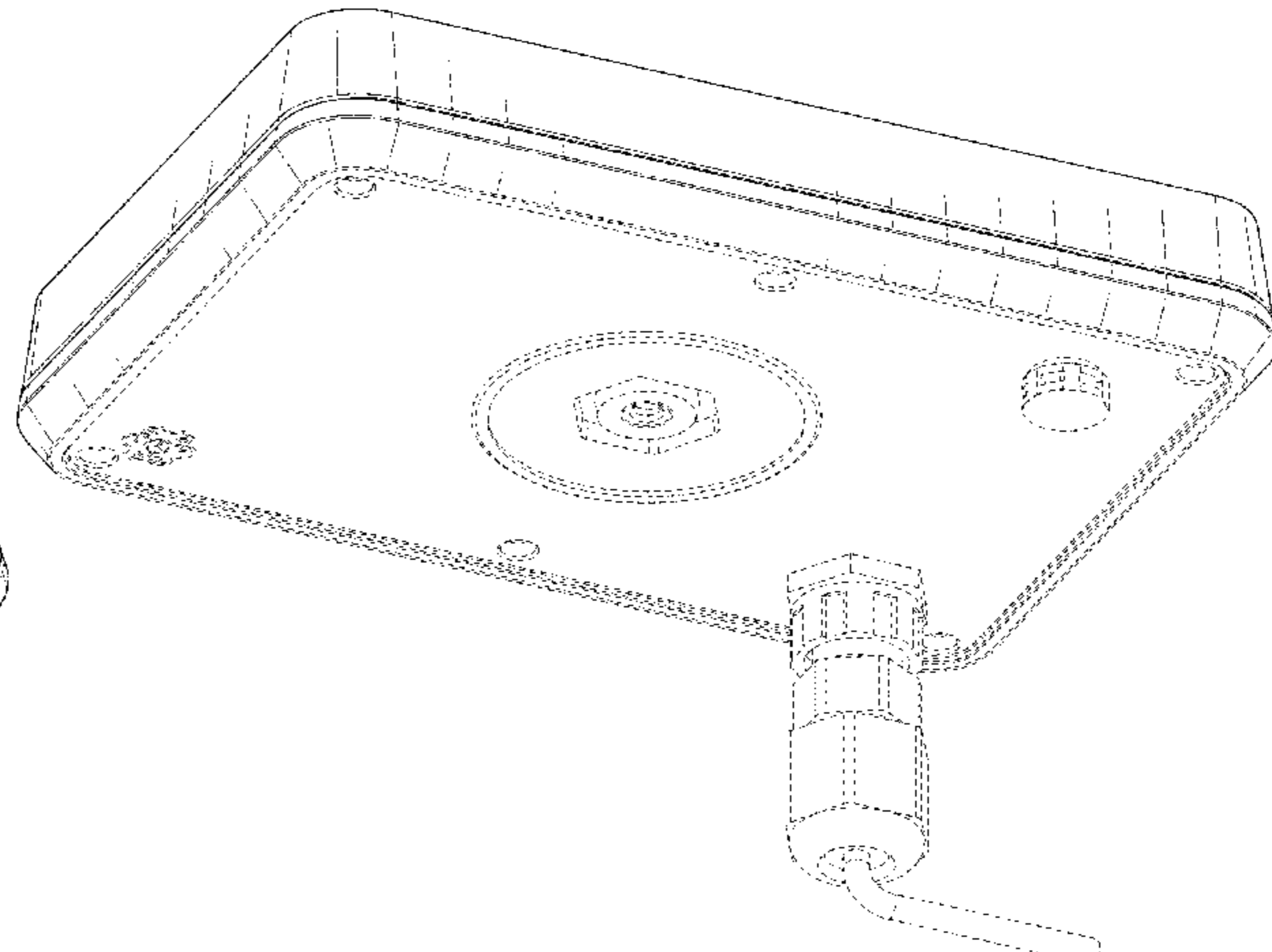
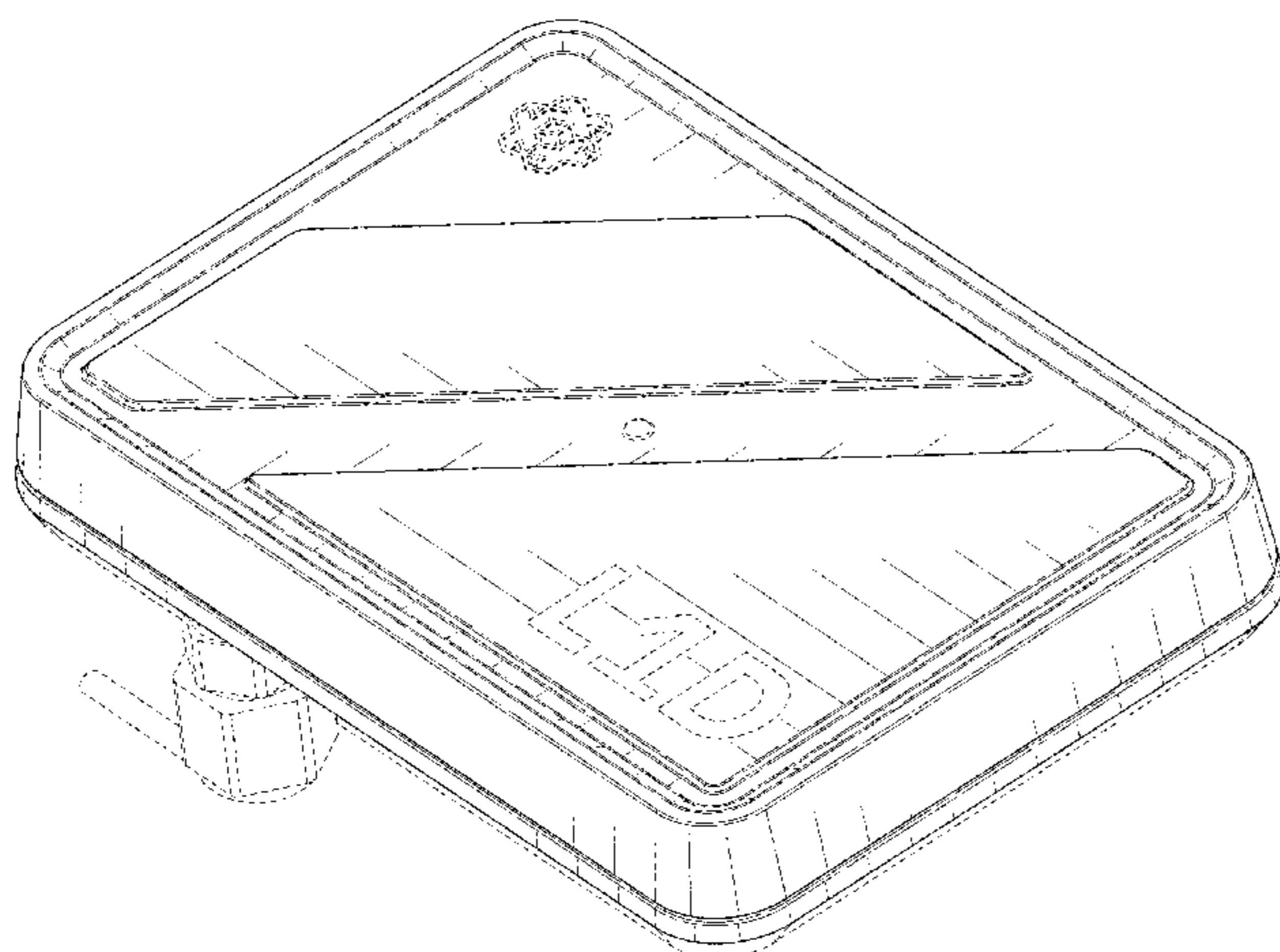
(57) **CLAIM**

We claim the ornamental design for an endpoint, as shown and described.

DESCRIPTION

FIG. 1 is a top perspective view of an endpoint, showing our new design;
FIG. 2 is a front elevational view thereof;
FIG. 3 is a rear elevational view thereof;
FIG. 4 is a left side elevational view thereof;
FIG. 5 is a right side elevational view thereof;
FIG. 6 is a top plan view thereof;
FIG. 7 is a bottom plan view thereof; and,
FIG. 8 is a bottom perspective view of thereof.
The broken lines in the drawings depict portions of the endpoint that form no part of the claimed design.

1 Claim, 7 Drawing Sheets



(56)

References Cited

U.S. PATENT DOCUMENTS

D726,179	S	*	4/2015	Orthey	D14/358
D727,765	S	*	4/2015	Hoshal	D10/78
D768,607	S	*	10/2016	Altonen	D14/240
D771,042	S	*	11/2016	Ehrensward	D14/383
D780,605	S	*	3/2017	Chen	D14/358
D780,611	S	*	3/2017	Studer	D10/104.1
D785,579	S	*	5/2017	McMiller	D14/125
D822,022	S	*	7/2018	Huff	D14/385
D828,816	S	*	9/2018	Spors	D10/50
D829,120	S	*	9/2018	Mitchell	D10/104.1
D836,619	S	*	12/2018	Yokoyama	D14/242
D842,142	S	*	3/2019	Recker	D10/106.6
D848,293	S	*	5/2019	Laurans	D10/106.6
D855,026	S	*	7/2019	Miller	D13/158
D858,321	S	*	9/2019	Recker	D10/106.6
D867,916	S	*	11/2019	Tatic	D10/106.95
D869,411	S	*	12/2019	Wang	D14/357
D883,242	S	*	5/2020	Wu	D14/125
D892,114	S	*	8/2020	Siminoff	D14/383
D929,358	S	*	8/2021	Peled	D14/358
D954,045	S	*	6/2022	Boucard	D20/27
D954,046	S	*	6/2022	Boucard	D20/27
D960,129	S	*	8/2022	Karimi	D14/217

* cited by examiner

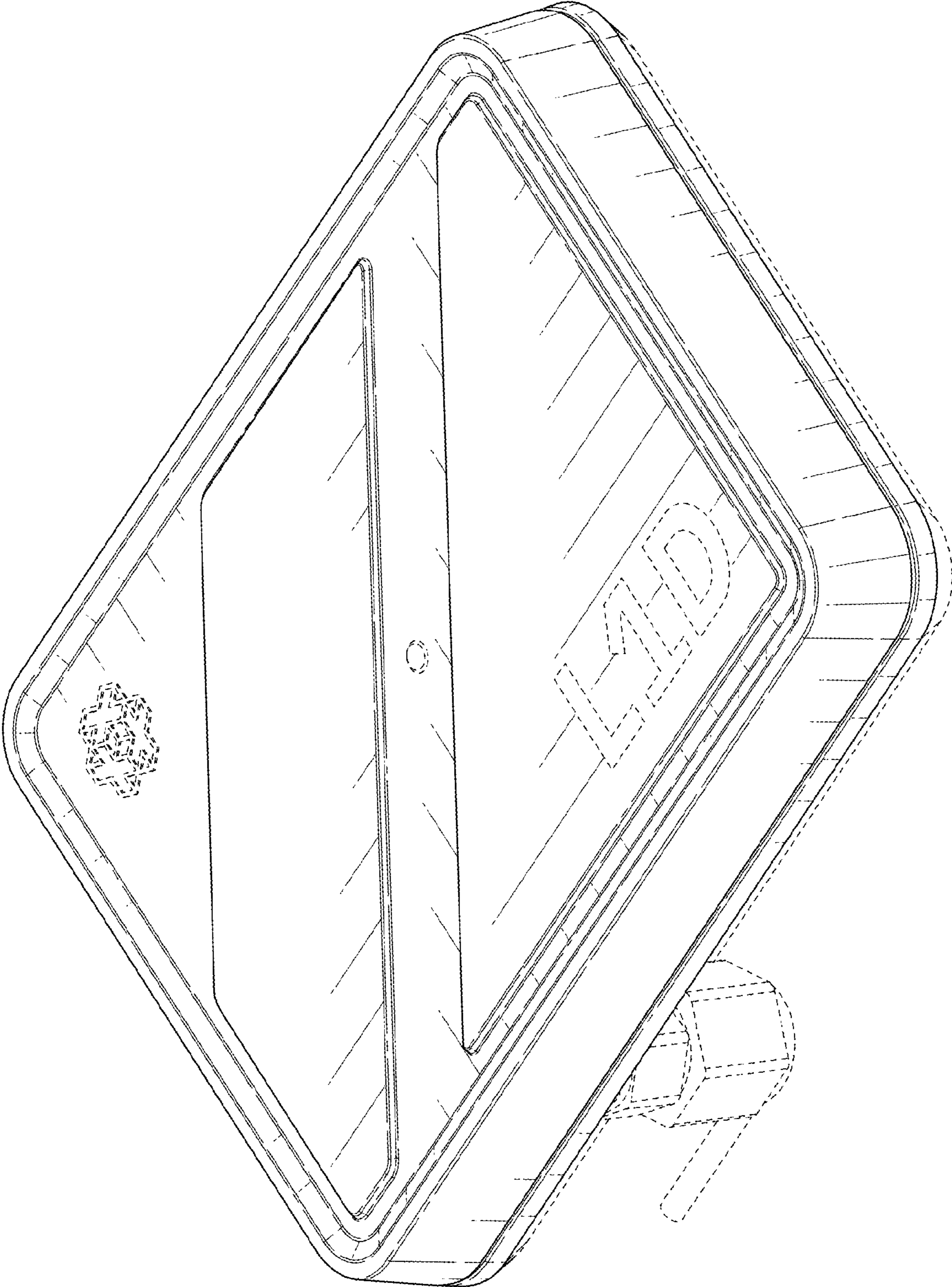


FIG. 1

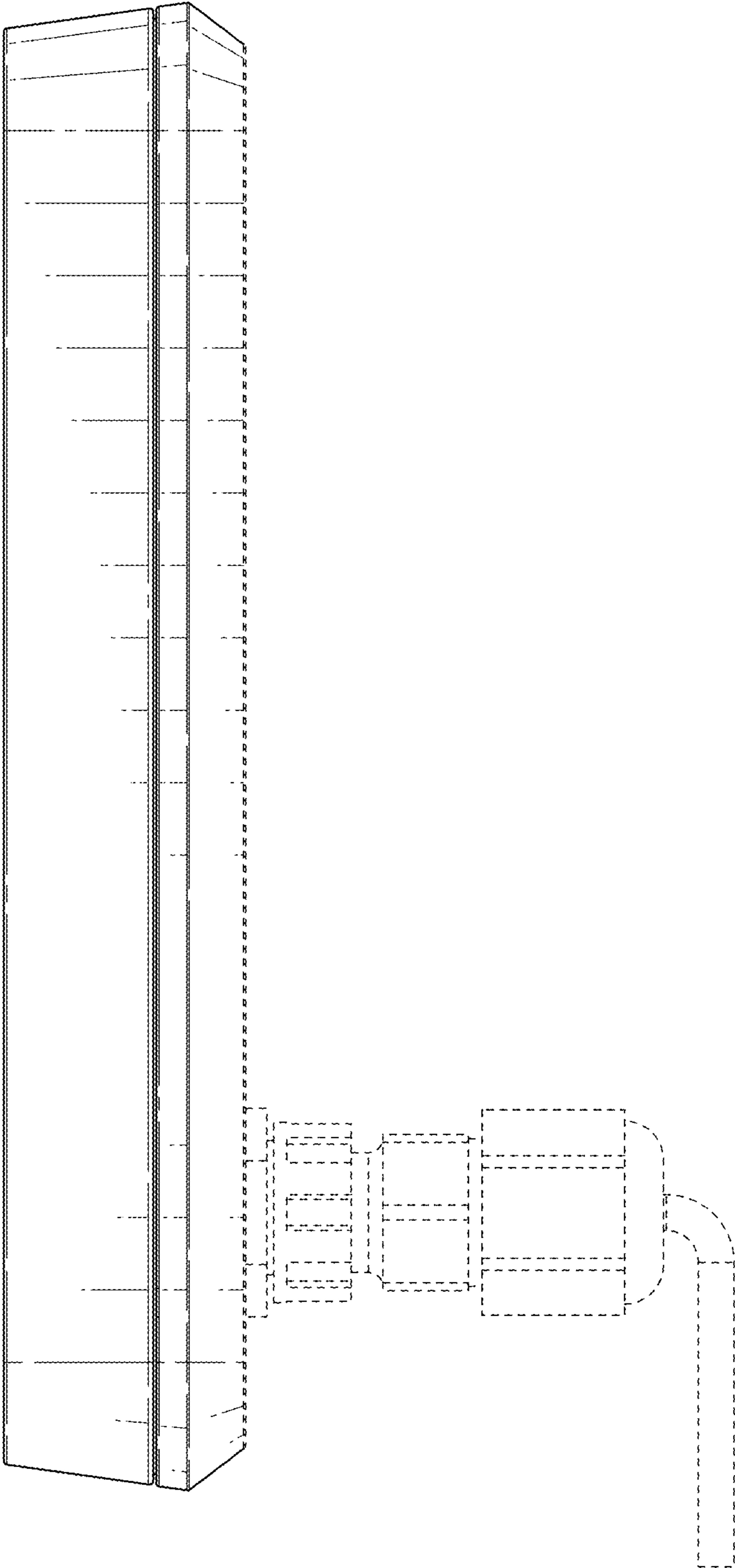


FIG. 2

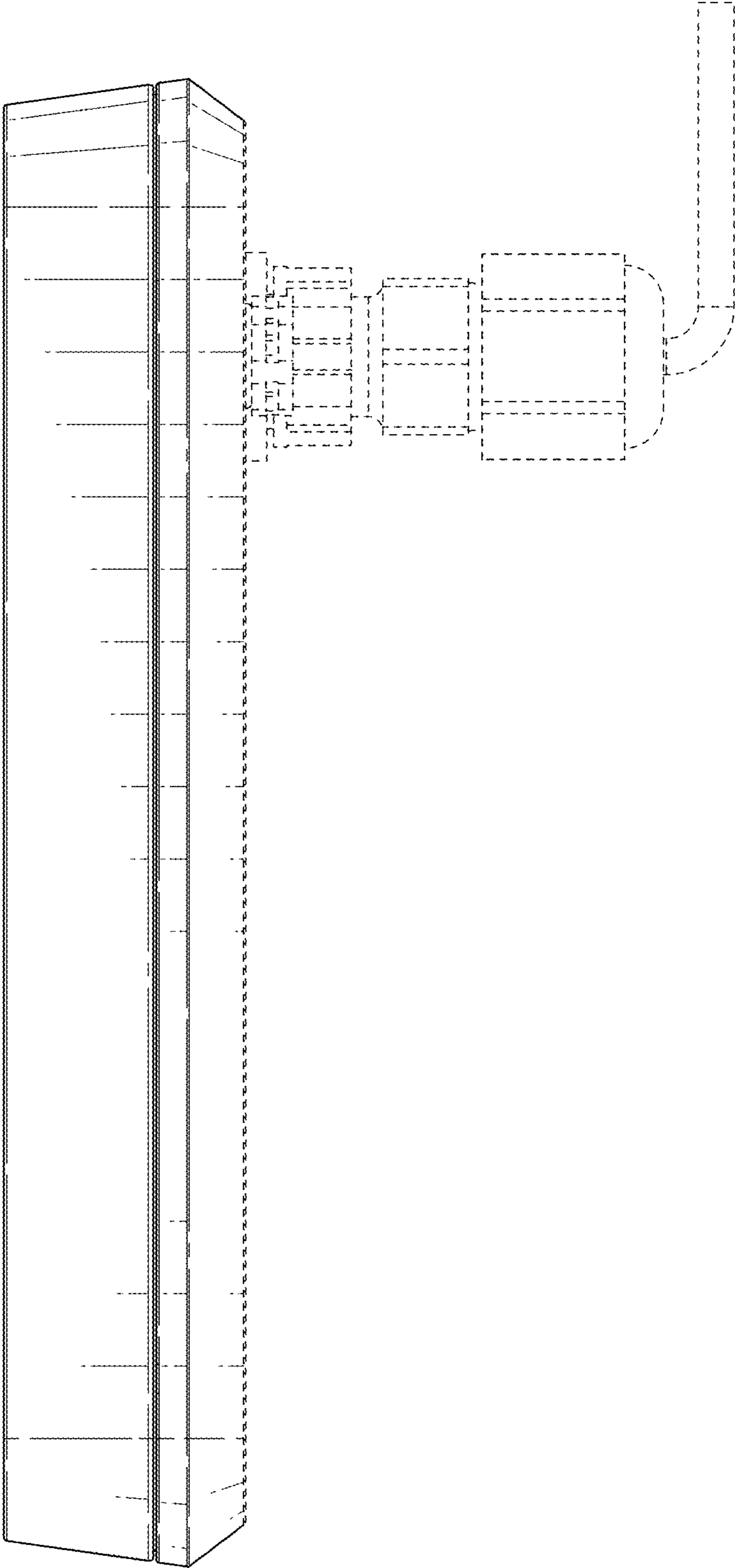


FIG. 3

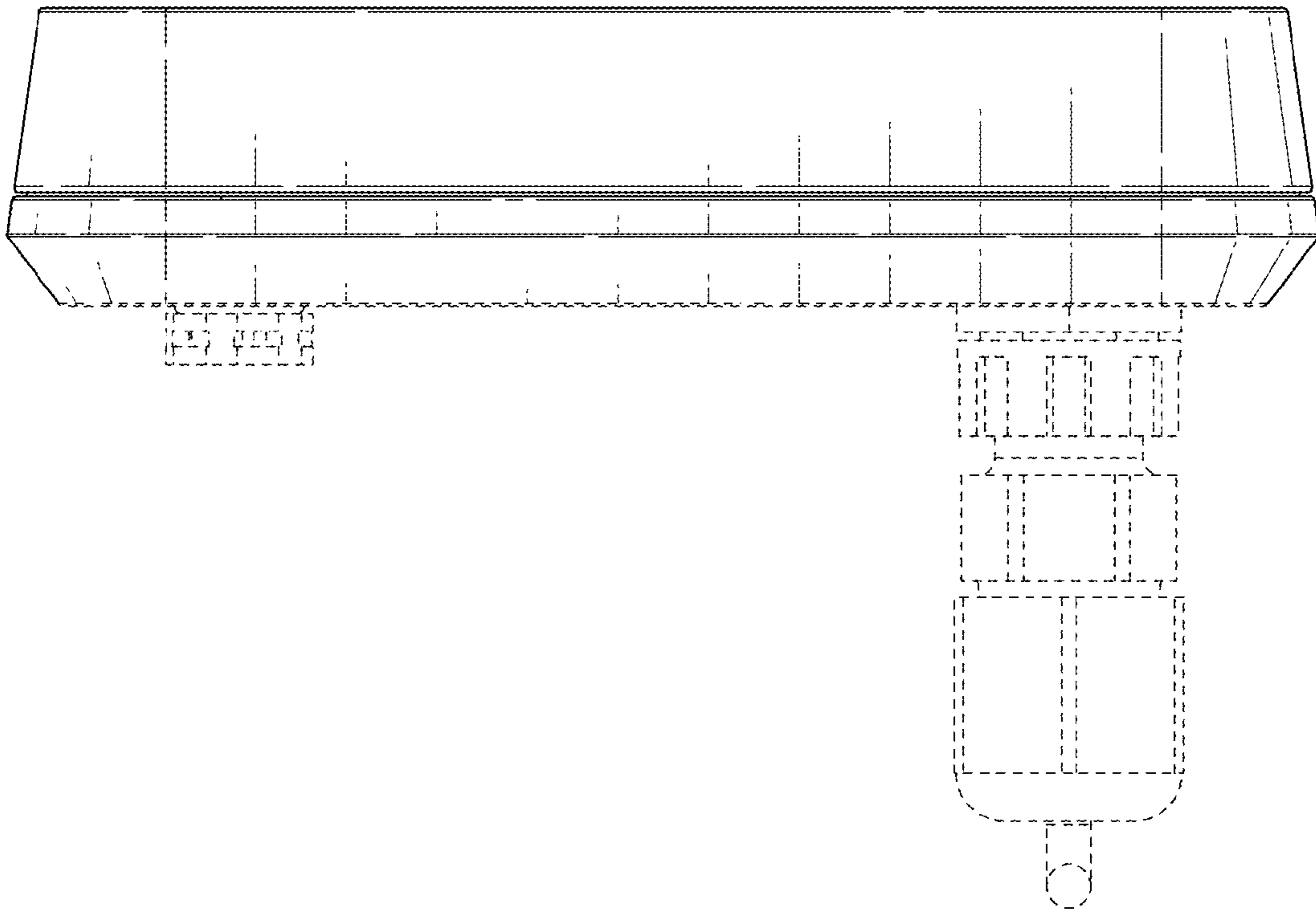


FIG. 4

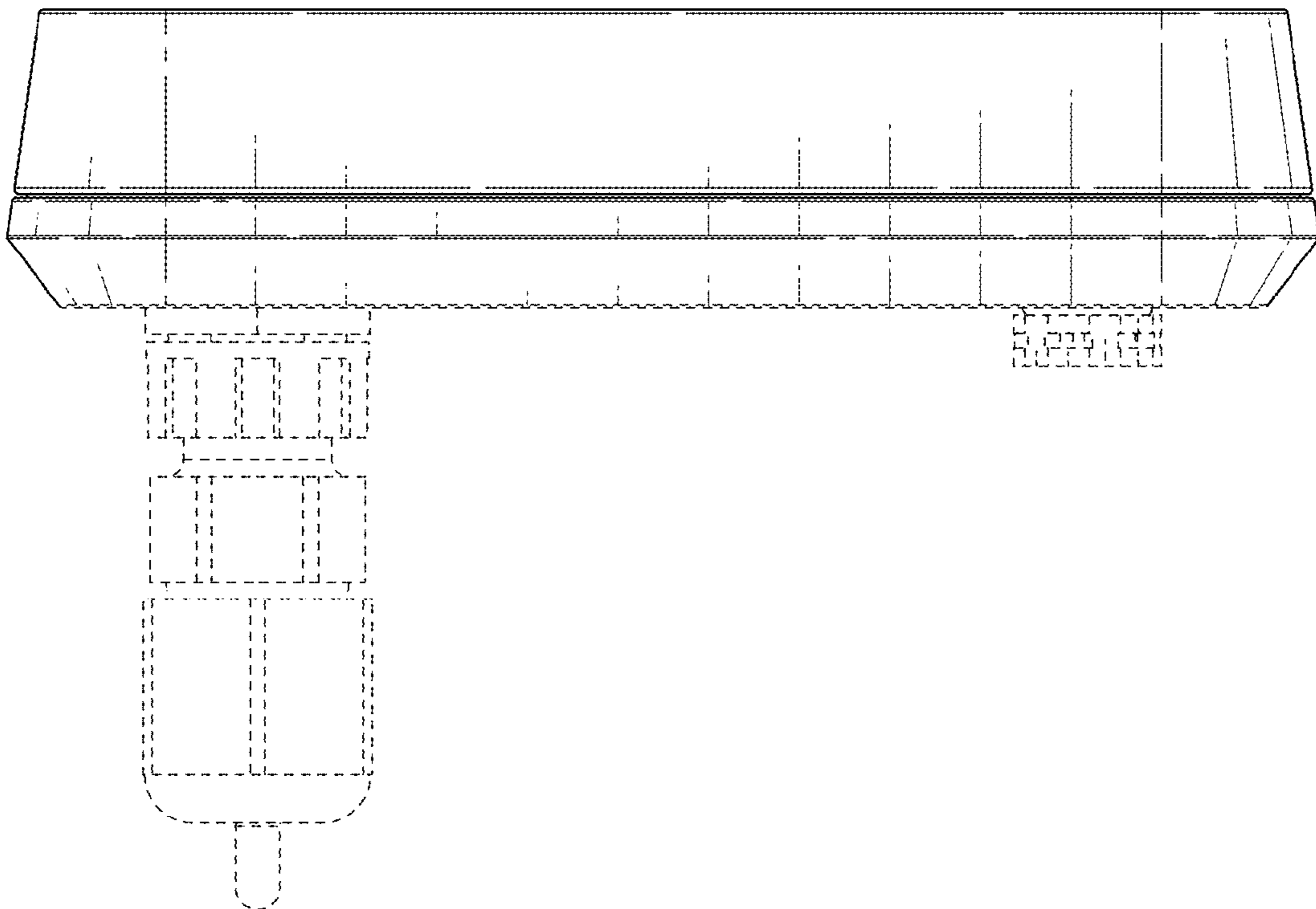


FIG. 5

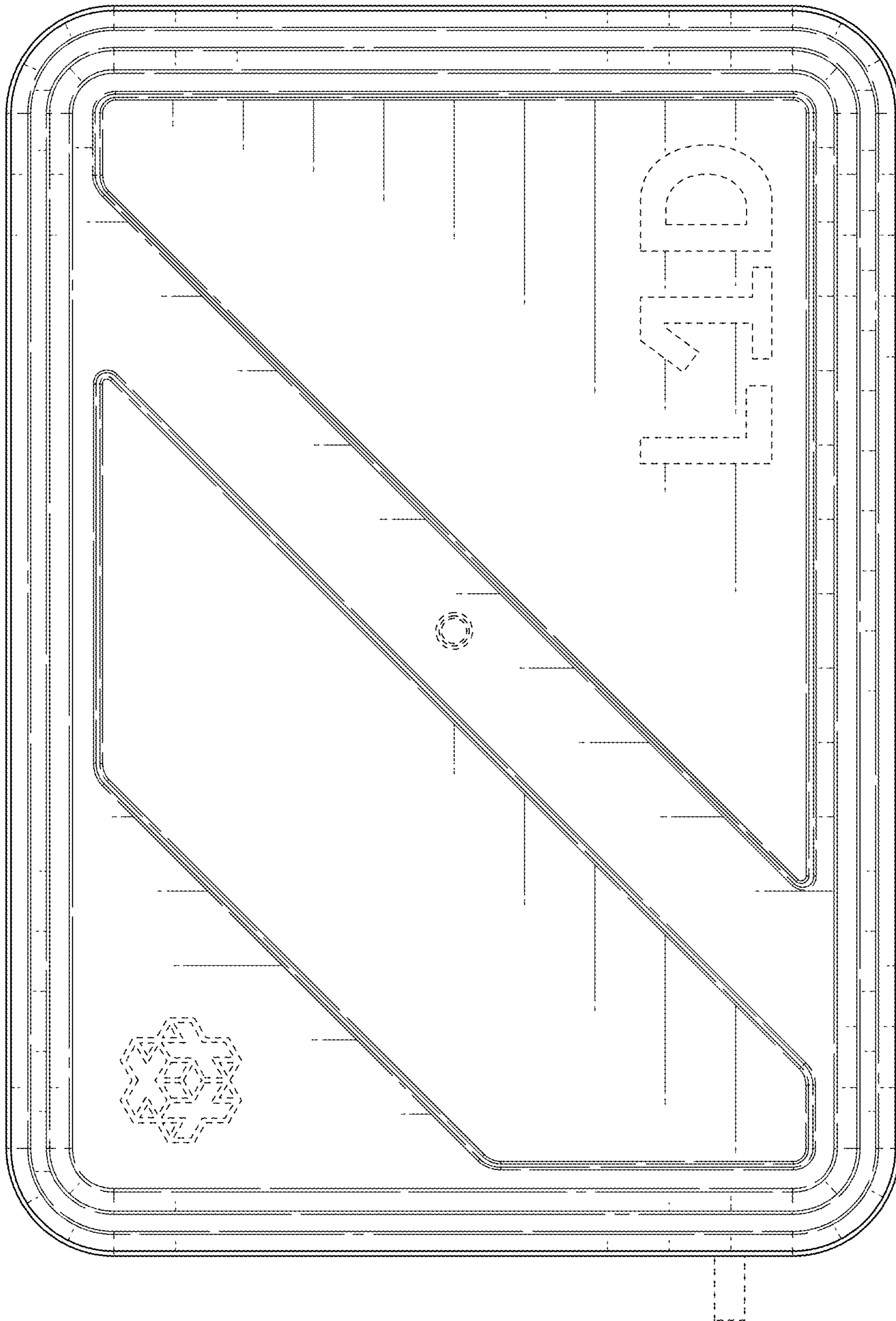


FIG. 6

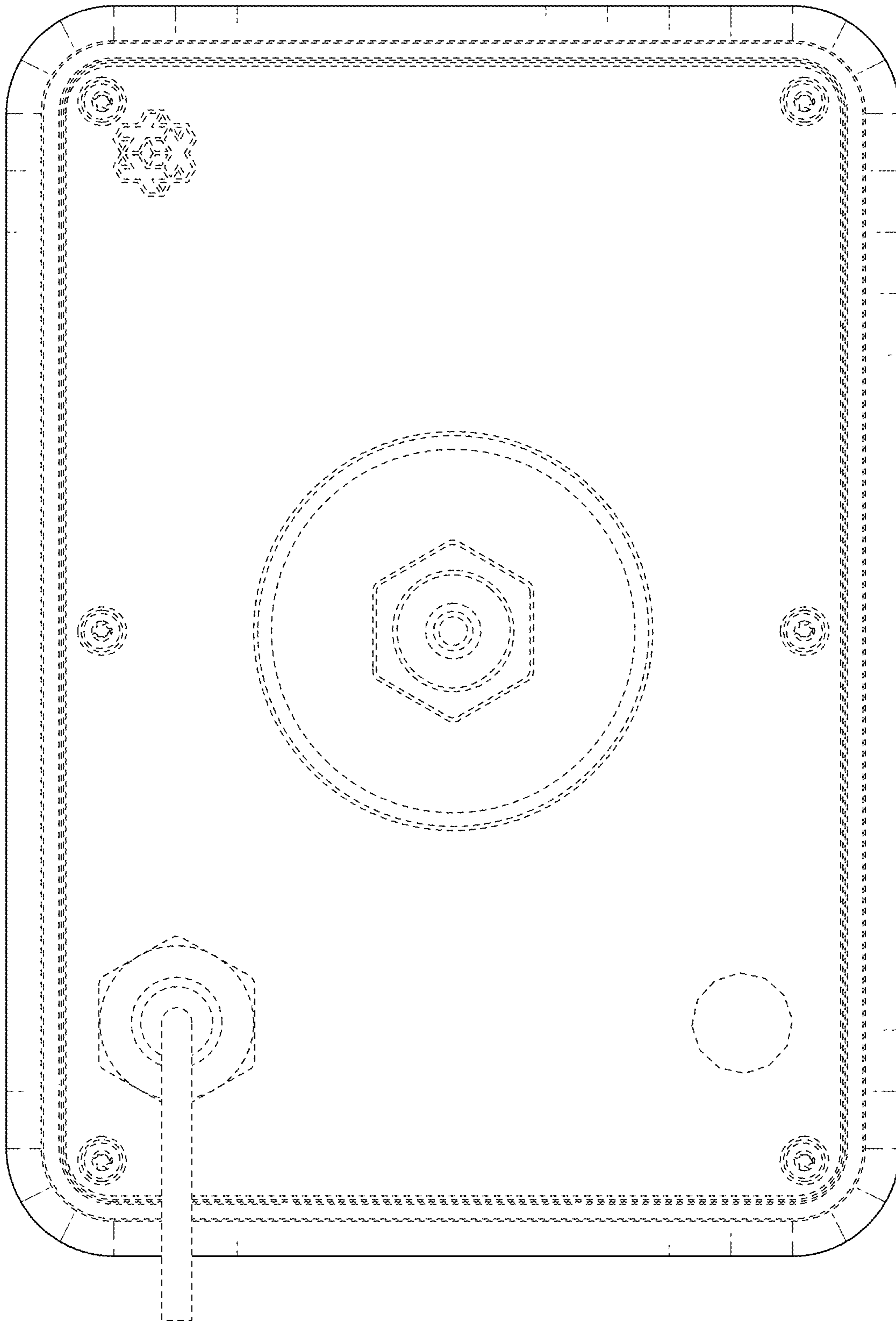


FIG. 7

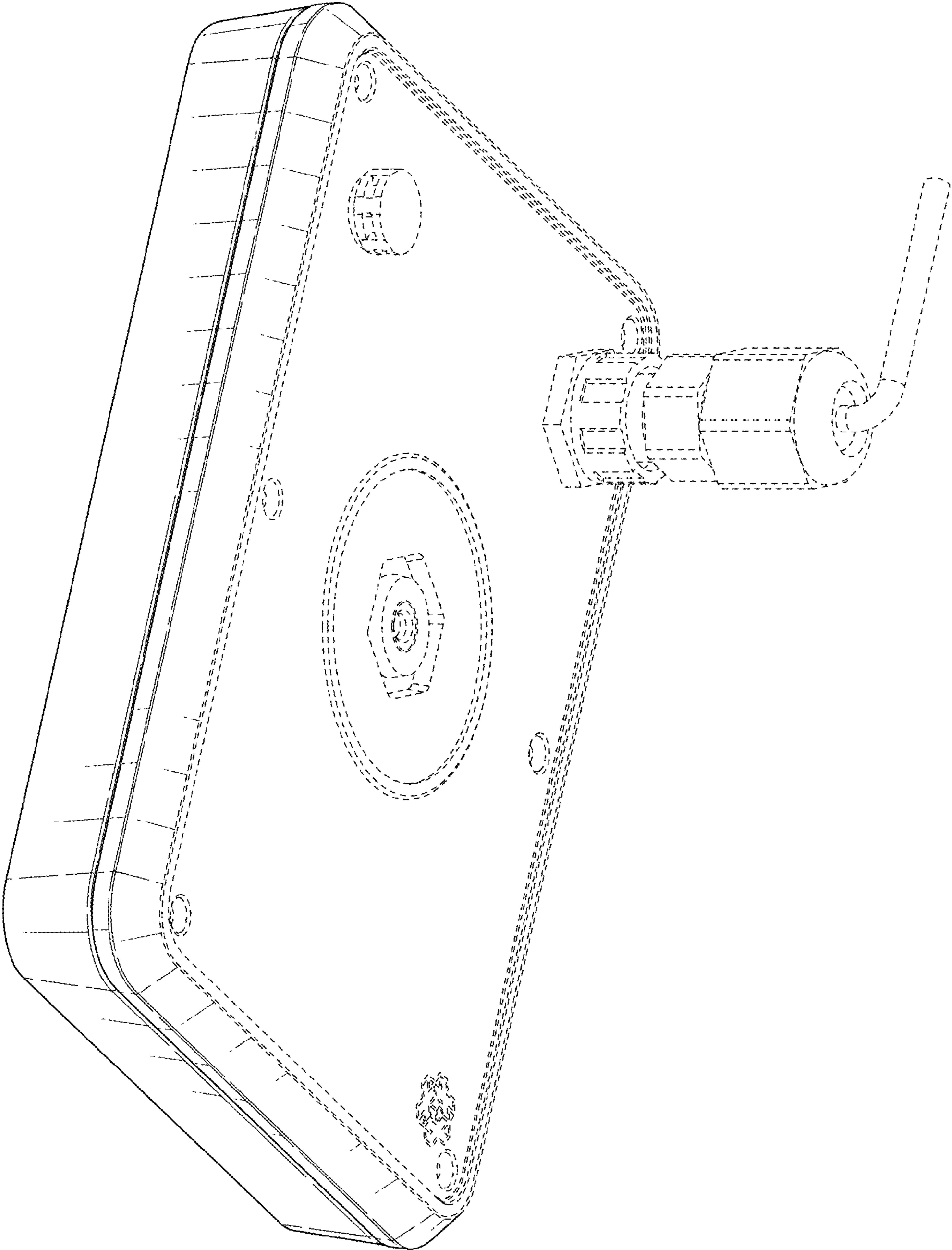


FIG. 8