



US00D983175S

(12) **United States Design Patent** (10) **Patent No.:** **US D983,175 S**  
**Lau et al.** (45) **Date of Patent:** **\*\* Apr. 11, 2023**

(54) **TOUCH SCREEN**

FOREIGN PATENT DOCUMENTS

(71) Applicant: **Google LLC**, Mountain View, CA (US)

CN 304864846 \* 10/2018  
CN 306112497 \* 10/2020

(72) Inventors: **Carson Lau**, San Francisco, CA (US);  
**Nicholas Burrows**, Brooklyn, NY (US);  
**Carl Johan Liden**, Brooklyn, NY (US);  
**Brett Tom**, Richmond, CA (US); **Bach**  
**Nguyen**, Oakland, CA (US); **Sujit**  
**Varghese**, New York, NY (US)

(Continued)

OTHER PUBLICATIONS

(73) Assignee: **GOOGLE LLC**, Mountain View, CA (US)

Lenovo “Smart Clock (2nd Gen) 4” Smart Display . . .”, available at bestbuy.com, oldest review date Jan. 2022, site visited Oct. 5, 2022, available at URL: <https://bit.ly/3SE9Jes> (Year: 2022).\*

(Continued)

(\*\*) Term: **15 Years**

*Primary Examiner* — Daniel J Domino

*Assistant Examiner* — Samina Vieth

(21) Appl. No.: **29/769,894**

(74) *Attorney, Agent, or Firm* — Leason Ellis LLP

(22) Filed: **Feb. 8, 2021**

(57) **CLAIM**

(51) **LOC (14) Cl.** ..... **14-03**

The ornamental design for a touch screen, as shown and described.

(52) **U.S. Cl.**

USPC ..... **D14/230**

(58) **Field of Classification Search**

**DESCRIPTION**

USPC ..... D14/371, 388, 307, 314, 334–337, 339,  
D14/340, 373–382, 448, 450, 125, 126,  
D14/127, 132, 133, 217; D6/300–301,  
D6/308; D21/324, 329; D24/386  
CPC ..... G06F 1/16; G06F 1/1601; G06F 1/1603;  
G06F 1/1605; G06F 1/1607; G06F  
1/1611; G06F 1/1616; G06F 1/1618;  
G06F 1/1622; G06F 1/1626; G06F  
1/1641; G06F 1/1643; G06F 1/1647;  
G06F 1/1649; G06F 1/1654; G06F  
1/1656; G06F 1/181; G06F 1/1684; G06F  
1/1686; G06F 1/1692; H05K 5/02; H05K  
5/03; H05K 5/0217; H05K 5/0239; H05K  
5/0243; H05K 5/0286; H04N 5/64

FIG. 1 is a front-perspective view according to a First Embodiment of our design;  
FIG. 2 is a rear-perspective view thereof;  
FIG. 3 is a front view thereof;  
FIG. 4 is a rear view thereof;  
FIG. 5 is a left-side view thereof;  
FIG. 6 is a right-side view thereof;  
FIG. 7 is a top plan view thereof;  
FIG. 8 is a bottom plan view thereof;  
FIG. 9 is a front-perspective view according to a Second Embodiment of our design;  
FIG. 10 is a rear-perspective view thereof;  
FIG. 11 is a front view thereof;  
FIG. 12 is a rear view thereof;  
FIG. 13 is a left-side view thereof;  
FIG. 14 is a right-side view thereof;  
FIG. 15 is a top plan view thereof;  
FIG. 16 is a bottom plan view thereof;  
FIG. 17 is a front-perspective view according to a Third Embodiment of our design;

See application file for complete search history.

(Continued)

(56) **References Cited**

U.S. PATENT DOCUMENTS

D541,683 S \* 5/2007 Shiono ..... D10/65  
D602,259 S \* 10/2009 Finnegan ..... D14/371

(Continued)

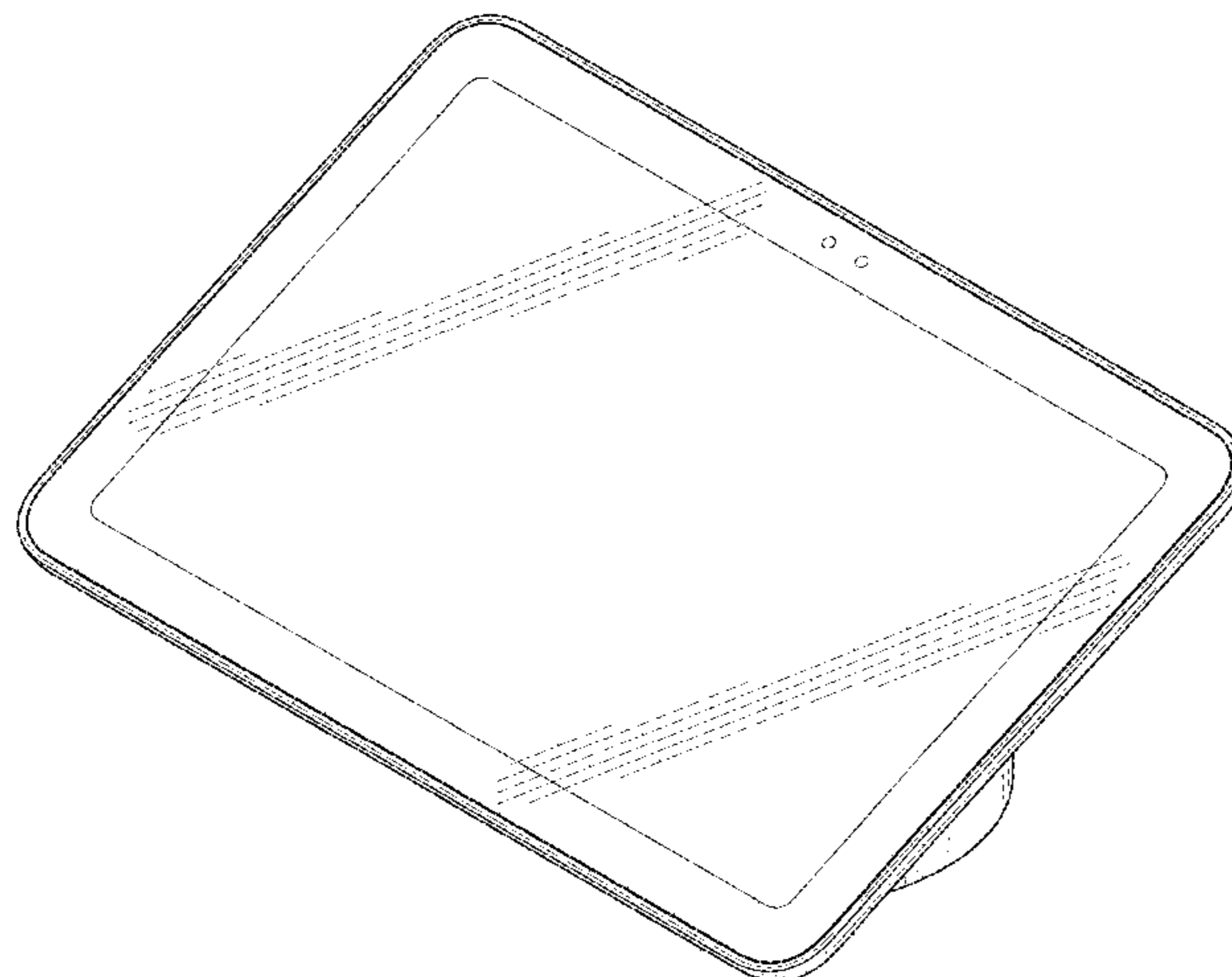


FIG. 18 is a rear-perspective view thereof;  
 FIG. 19 is a front view thereof;  
 FIG. 20 is a rear view thereof;  
 FIG. 21 is a left-side view thereof;  
 FIG. 22 is a right-side view thereof;  
 FIG. 23 is a top plan view thereof;  
 FIG. 24 is a bottom plan view thereof;  
 FIG. 25 is a front-perspective view according to a Fourth Embodiment of our design;  
 FIG. 26 is a rear-perspective view thereof;  
 FIG. 27 is a front view thereof;  
 FIG. 28 is a rear view thereof;  
 FIG. 29 is a left-side view thereof;  
 FIG. 30 is a right-side view thereof;  
 FIG. 31 is a top plan view thereof; and,  
 FIG. 32 is a bottom plan view thereof.  
 Conventional shading is illustrated for purposes of highlighting the line drawings, but forms no part of the claimed design.  
 The broken lines showing of portions of the touch screen article form no part of the claimed design.

**1 Claim, 32 Drawing Sheets**

(56)

**References Cited**

U.S. PATENT DOCUMENTS

D626,343 S	*	11/2010	Lee	.....	D14/371
D680,653 S	*	4/2013	Fullerton	.....	D24/167
D681,583 S	*	5/2013	Park	.....	D14/138 G
D687,431 S	*	8/2013	Landis	.....	D14/371
D697,506 S	*	1/2014	Bianco	.....	D14/371
D697,910 S	*	1/2014	Bianco	.....	D14/371
D716,815 S	*	11/2014	van Hees	.....	D14/420
D726,166 S	*	4/2015	Nada	.....	D14/239
D726,697 S	*	4/2015	Nada	.....	D14/239
D734,859 S	*	7/2015	Weichert	.....	D24/186
D750,604 S	*	3/2016	Kim	.....	D14/239
D757,162 S	*	5/2016	Lyons	.....	D18/50

D789,362 S	*	6/2017	Eljas	.....	D14/366
D808,960 S	*	1/2018	Chan	.....	D14/341
D811,472 S	*	2/2018	Chen	.....	D14/336
D831,640 S	*	10/2018	Tivnon	.....	D14/371
D834,015 S	*	11/2018	Case	.....	D14/371
D902,297 S	*	11/2020	Cathala	.....	D18/4.5
D907,038 S	*	1/2021	Yeruva	.....	D14/375
D919,307 S	*	5/2021	Ross, III	.....	D14/230
D927,439 S	*	8/2021	McConnell	.....	D14/126
D929,992 S	*	9/2021	McKenna	.....	D14/374
D934,244 S	*	10/2021	Cepress	.....	D14/374
D936,651 S	*	11/2021	Seflic	.....	D14/371
D937,831 S	*	12/2021	Patterson	.....	D14/371
D938,431 S	*	12/2021	Han	.....	D14/440
D951,939 S	*	5/2022	Cepress	.....	D14/371
D956,746 S	*	7/2022	Uchida	.....	D14/371
2019/0214835 A1	*	7/2019	Jabori	.....	H02J 7/0044

FOREIGN PATENT DOCUMENTS

CN	306479204	*	4/2021
EM	008403927-0001	*	2/2021

OTHER PUBLICATIONS

Amazon, "Echo Show 8 (2nd Gen, 2021 Release) HD smart display . . .", available at amazon.com, date first available 2021, site visited Oct. 5, 2022, Available at URL: <https://a.co/d/c9BXhqv> (Year: 2021).\*

Sintron, "Smart Display Stand . . .", available at amazon.com, date first available Dec. 30, 2021, site visited Oct. 5, 2022, Available at URL: <https://a.co/d/2AmUIRE> (Year: 2021).\*

Lenovo, "ZA3R0011CA French Smart Display . . .", available at walmart.com, oldest review date Jan. 3, 2019, site visited Oct. 5, 2022, Available at URL: <https://bit.ly/3e52wW1> (Year: 2019).\*

Alexa Developers, "Verizon Smart Display", available at youtube.com, date published Jul. 21, 2021, site visited Oct. 5, 2022, available at URL: <https://www.youtube.com/watch?v=14v4o9L6A2M> (Year: 2021).\*

"Google Workspace, Series One—Google Meet hardware," published prior to Feb. 8, 2021 (Retrieved from the Internet May 27, 2021). Internet URL: <https://meetingdevices.withgoogle.com/seriesone/> (Year: 2021).

\* cited by examiner

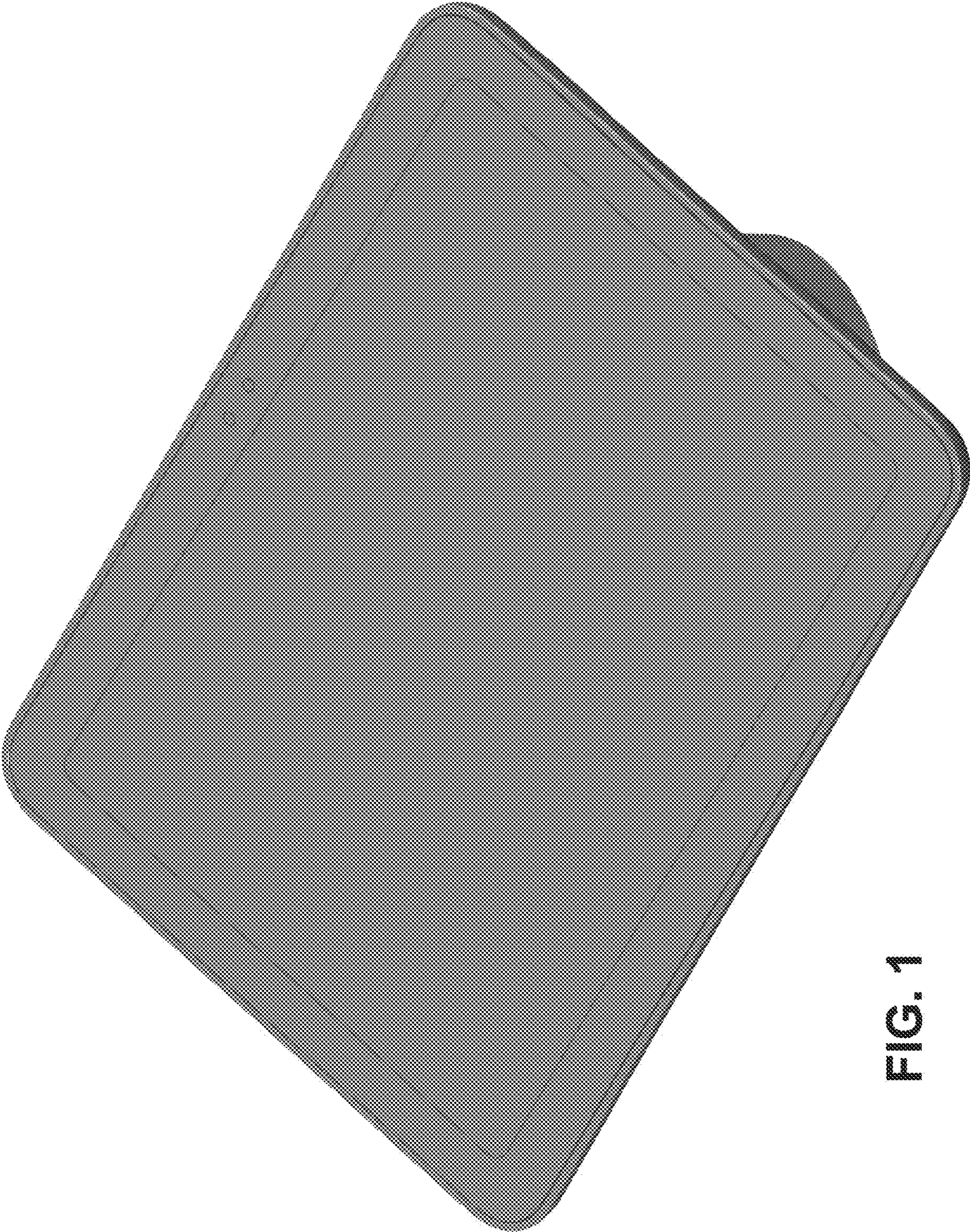


FIG. 1

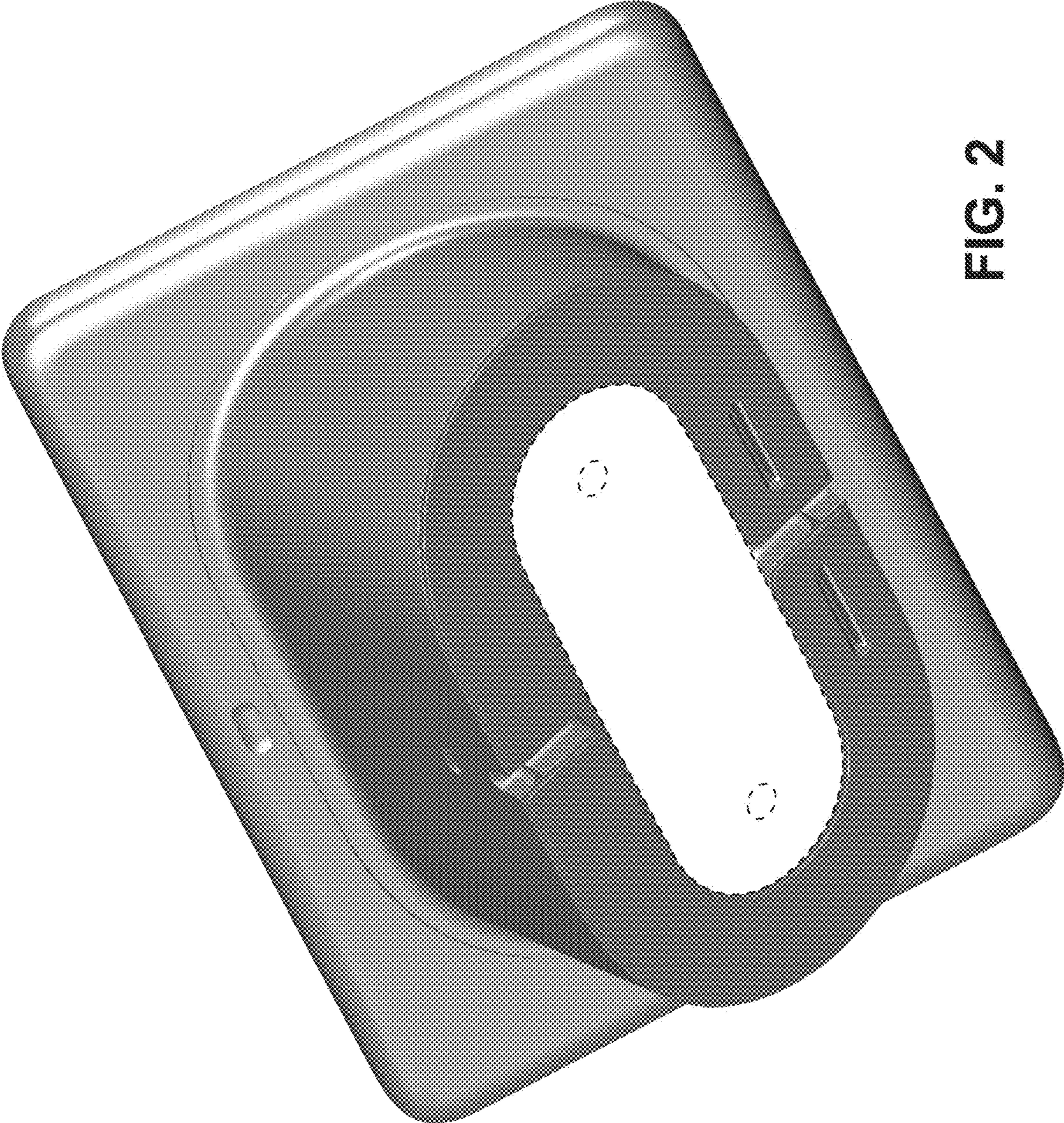


FIG. 2

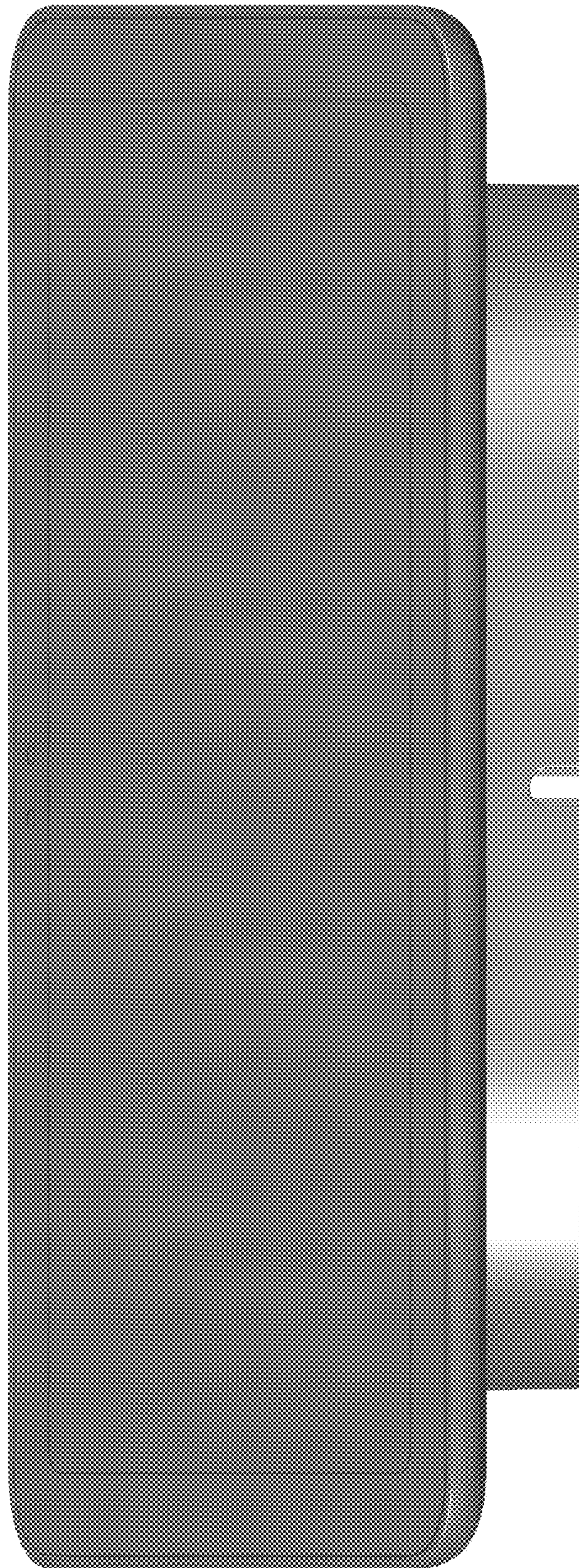


FIG. 3



FIG. 4

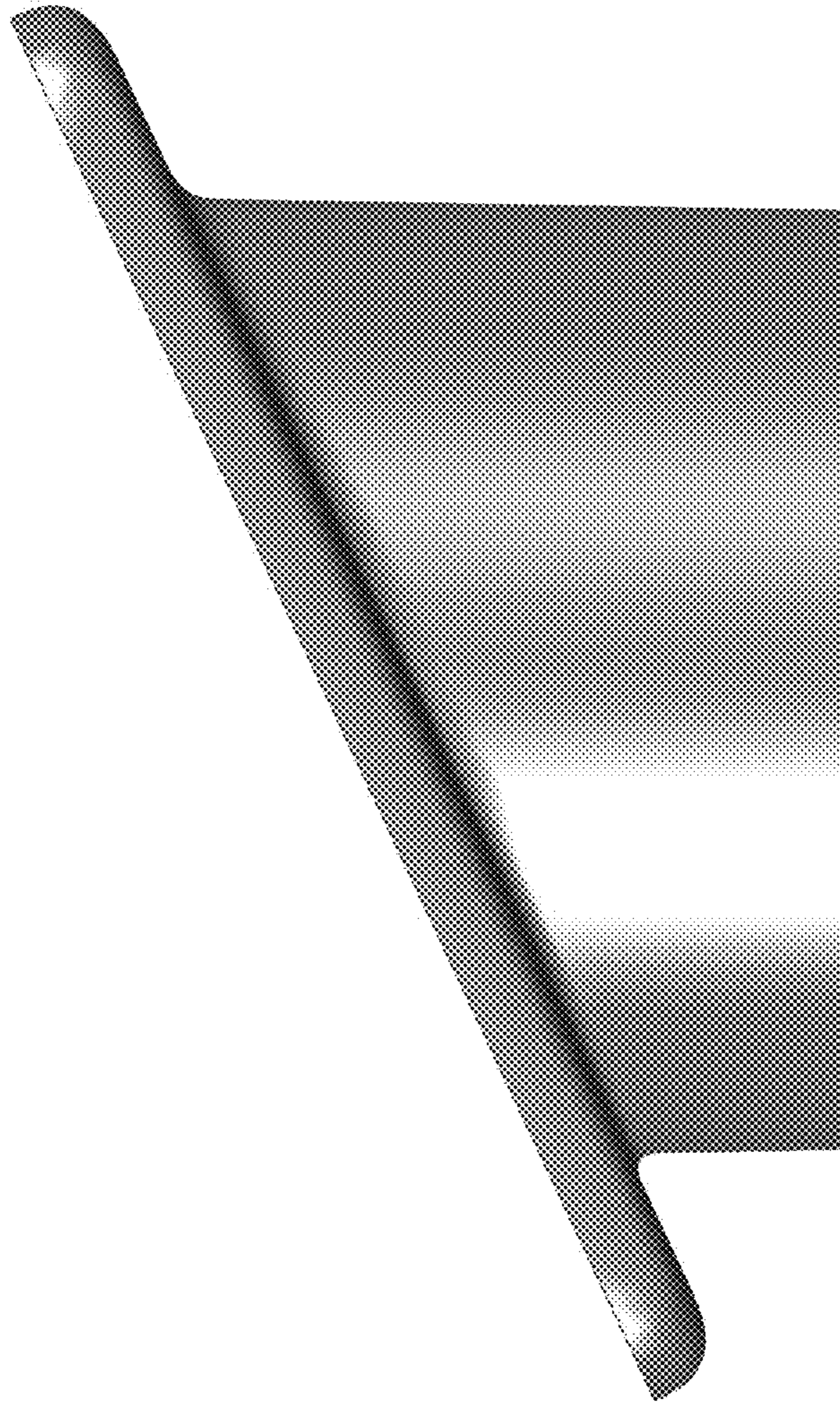


FIG. 5

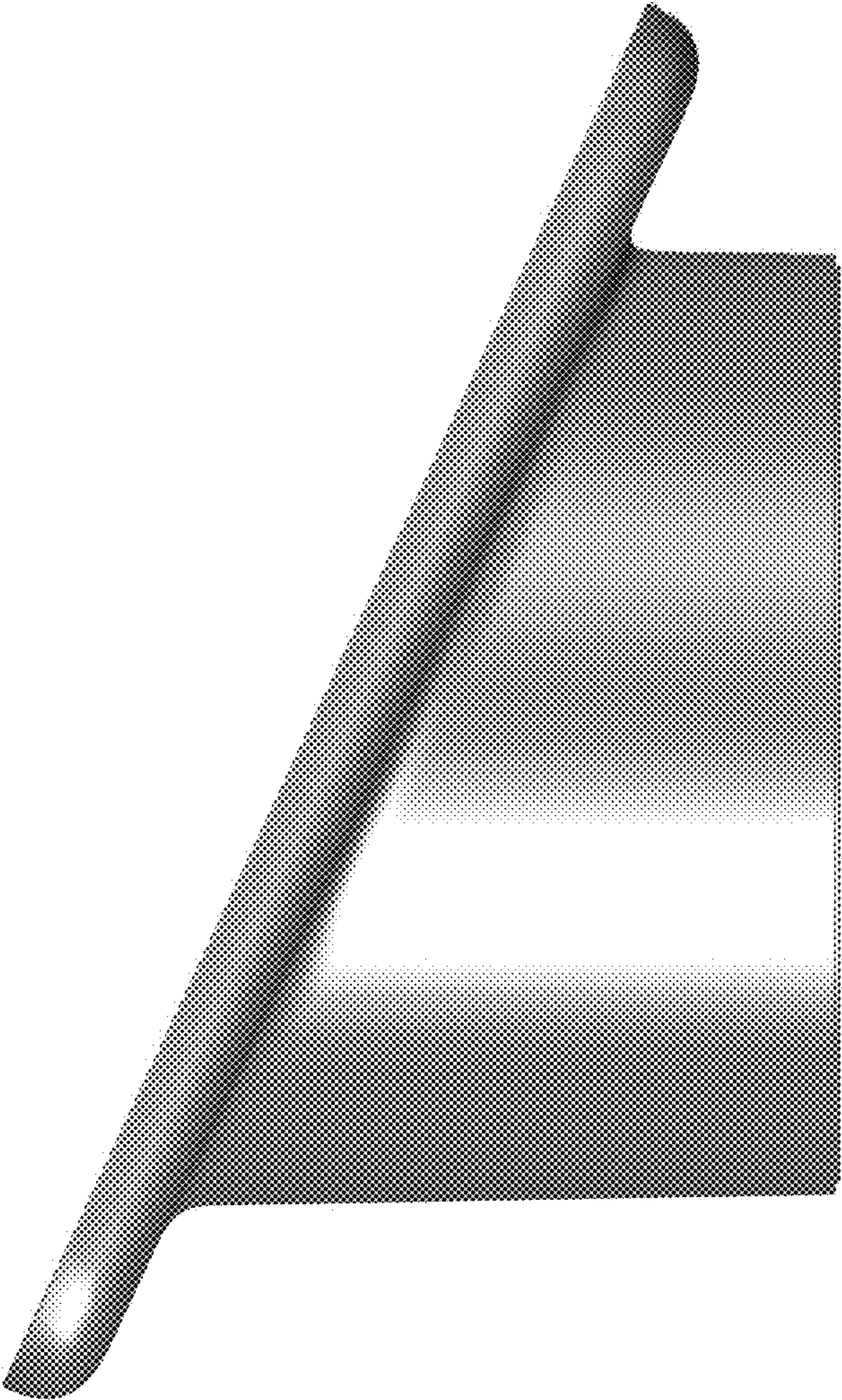
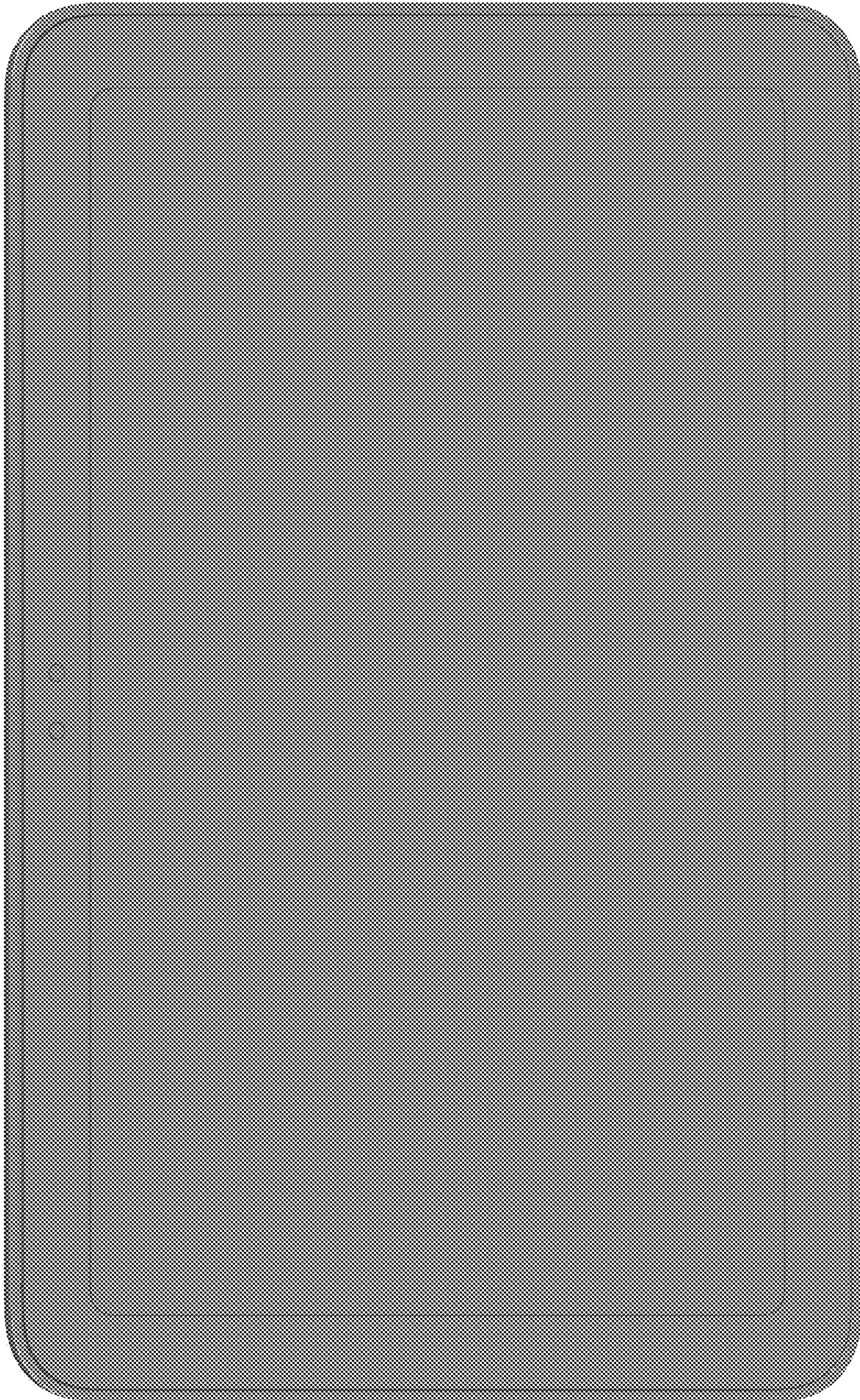


FIG. 6





**FIG. 7**

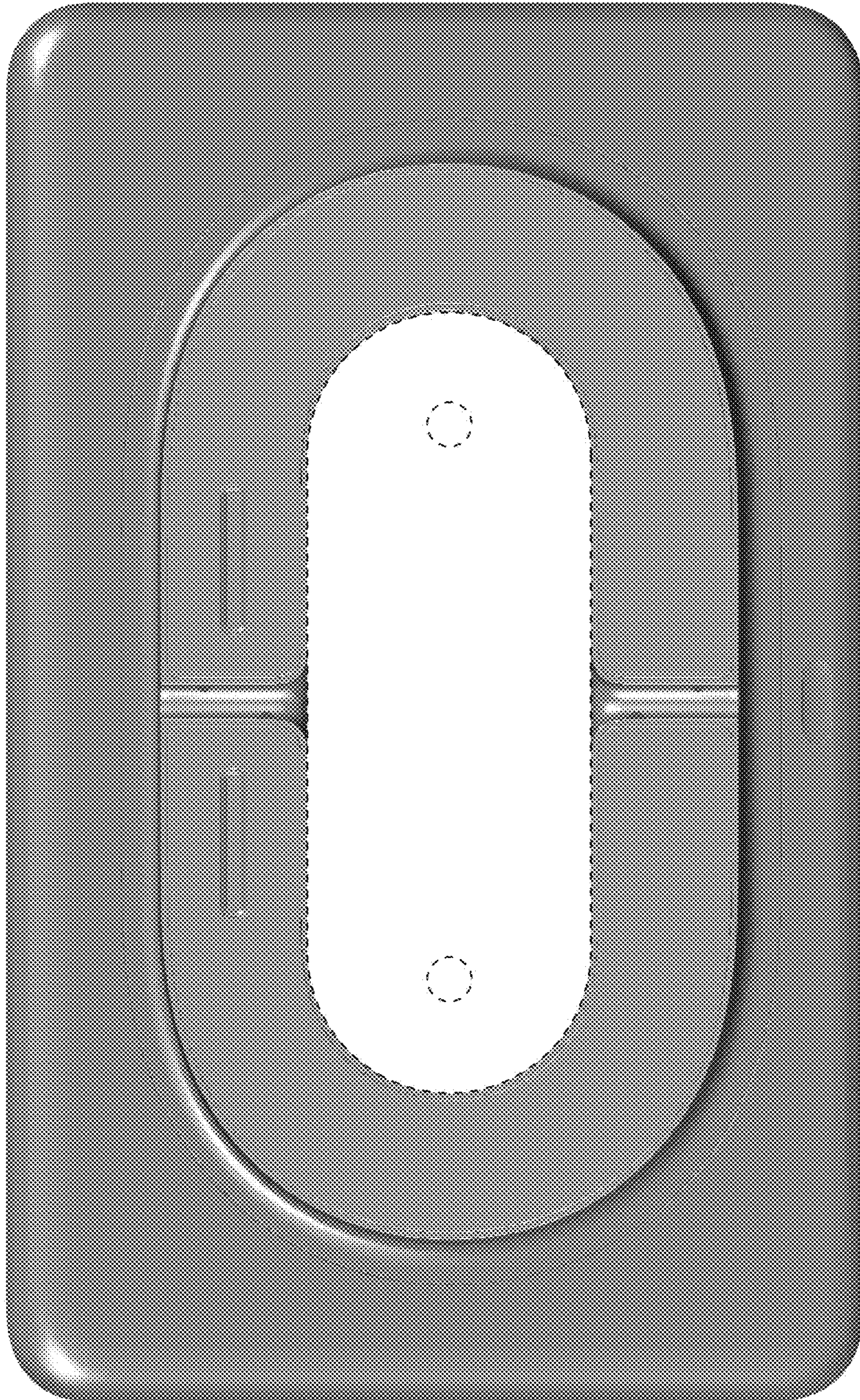


FIG. 8

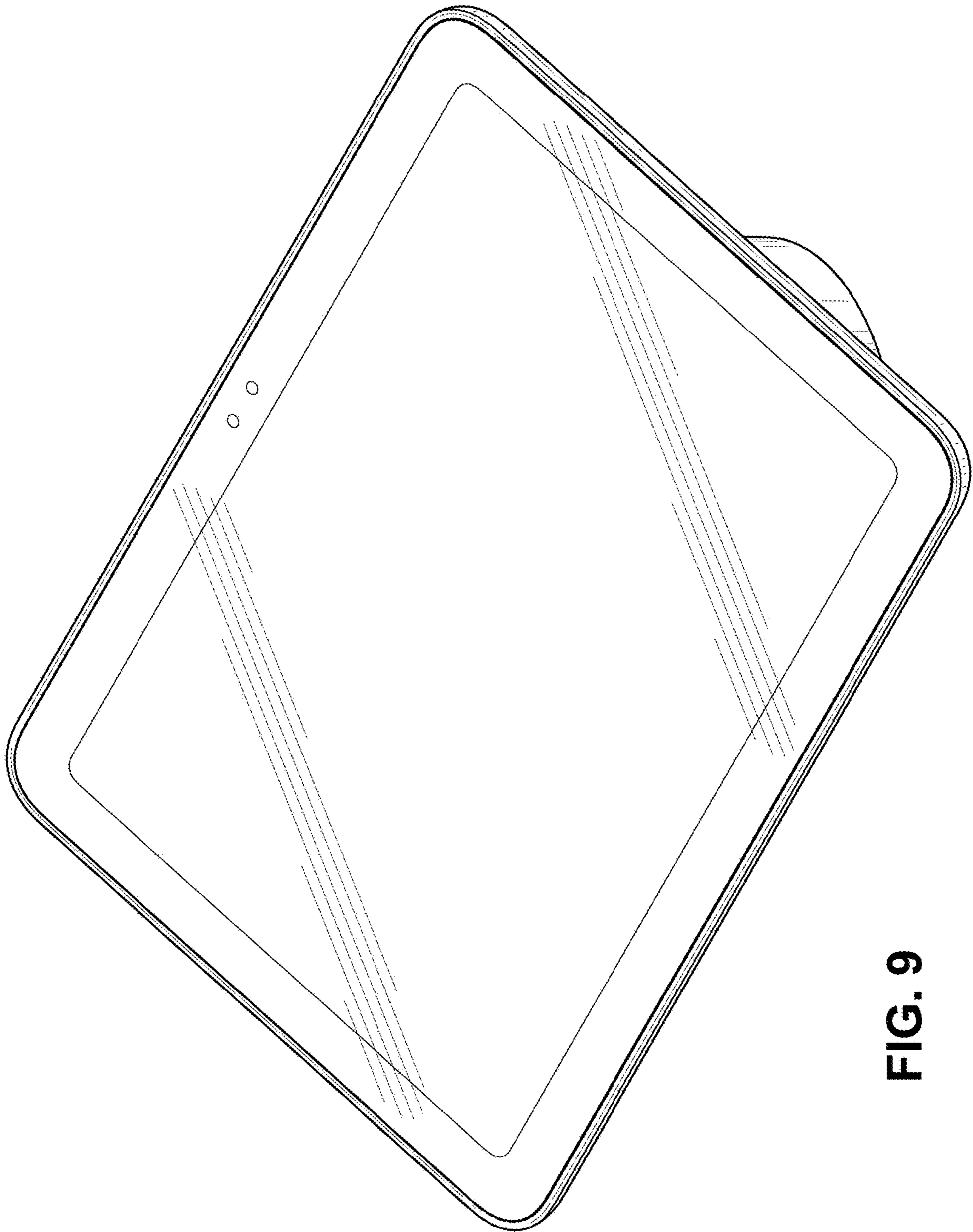


FIG. 9

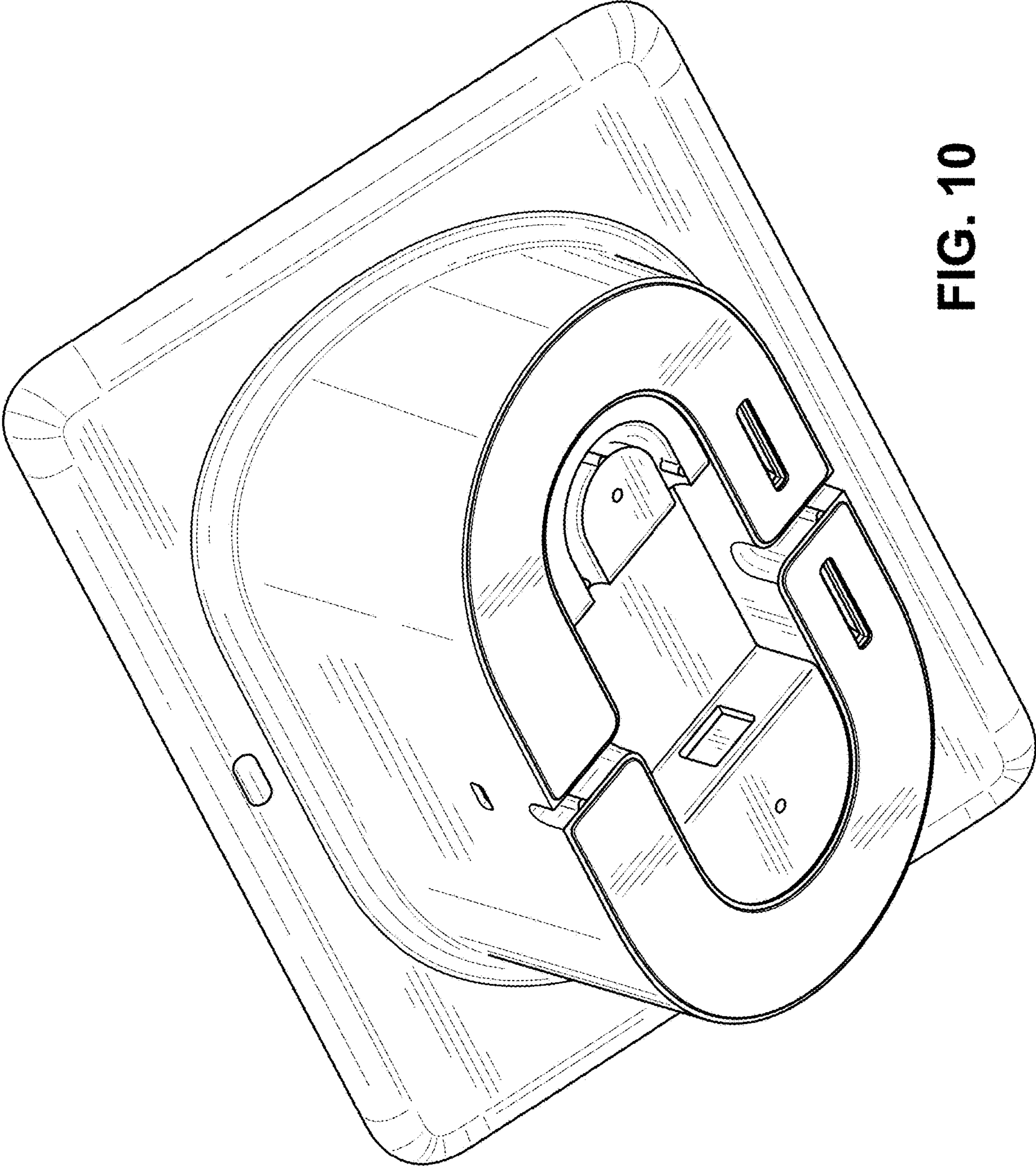


FIG. 10

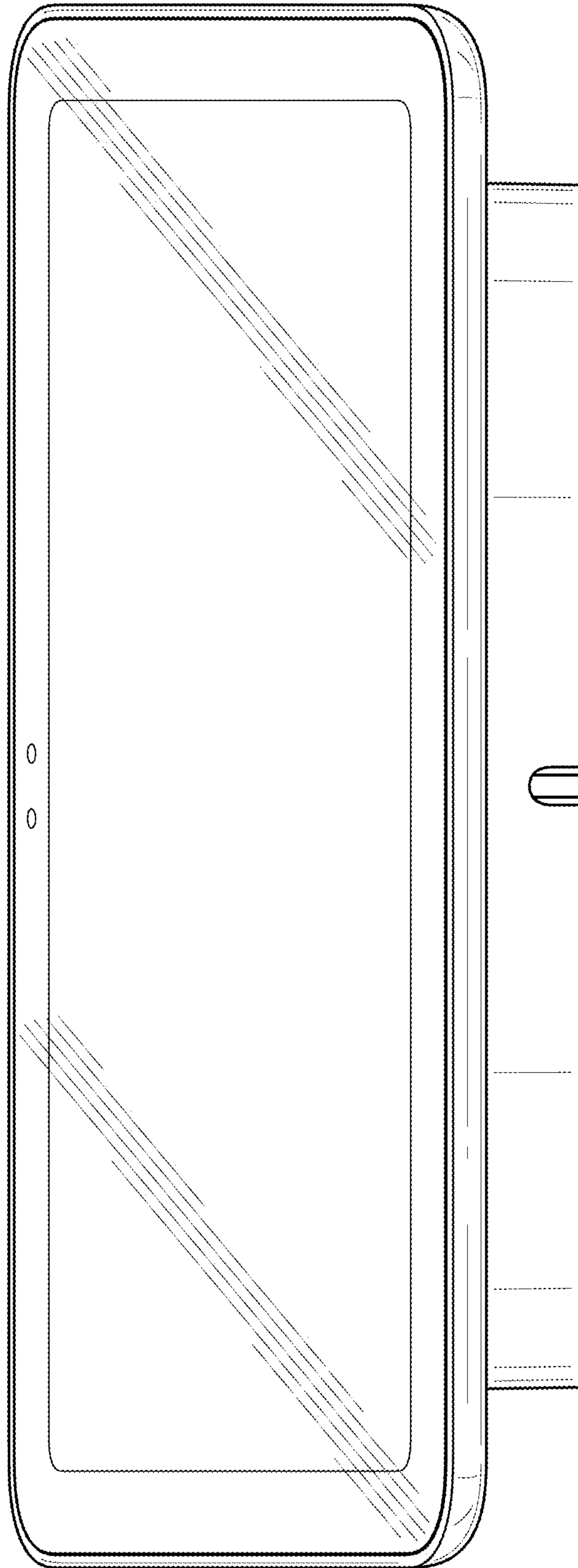


FIG. 11

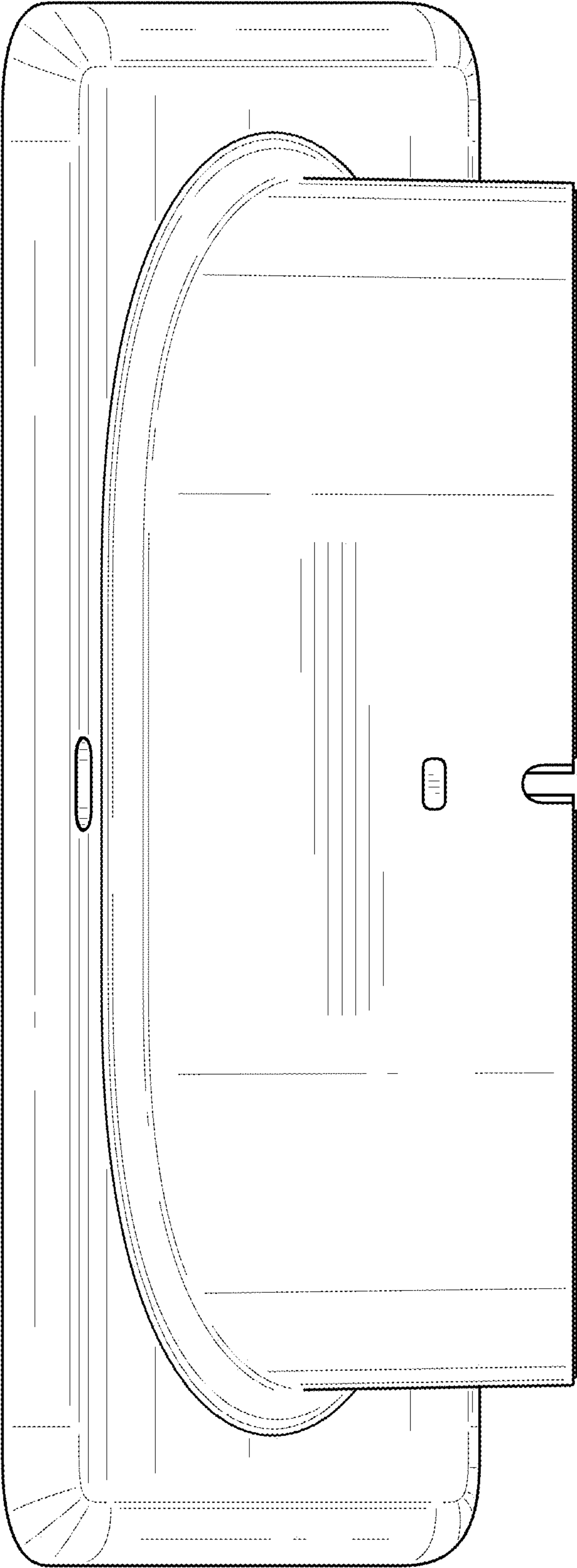


FIG. 12

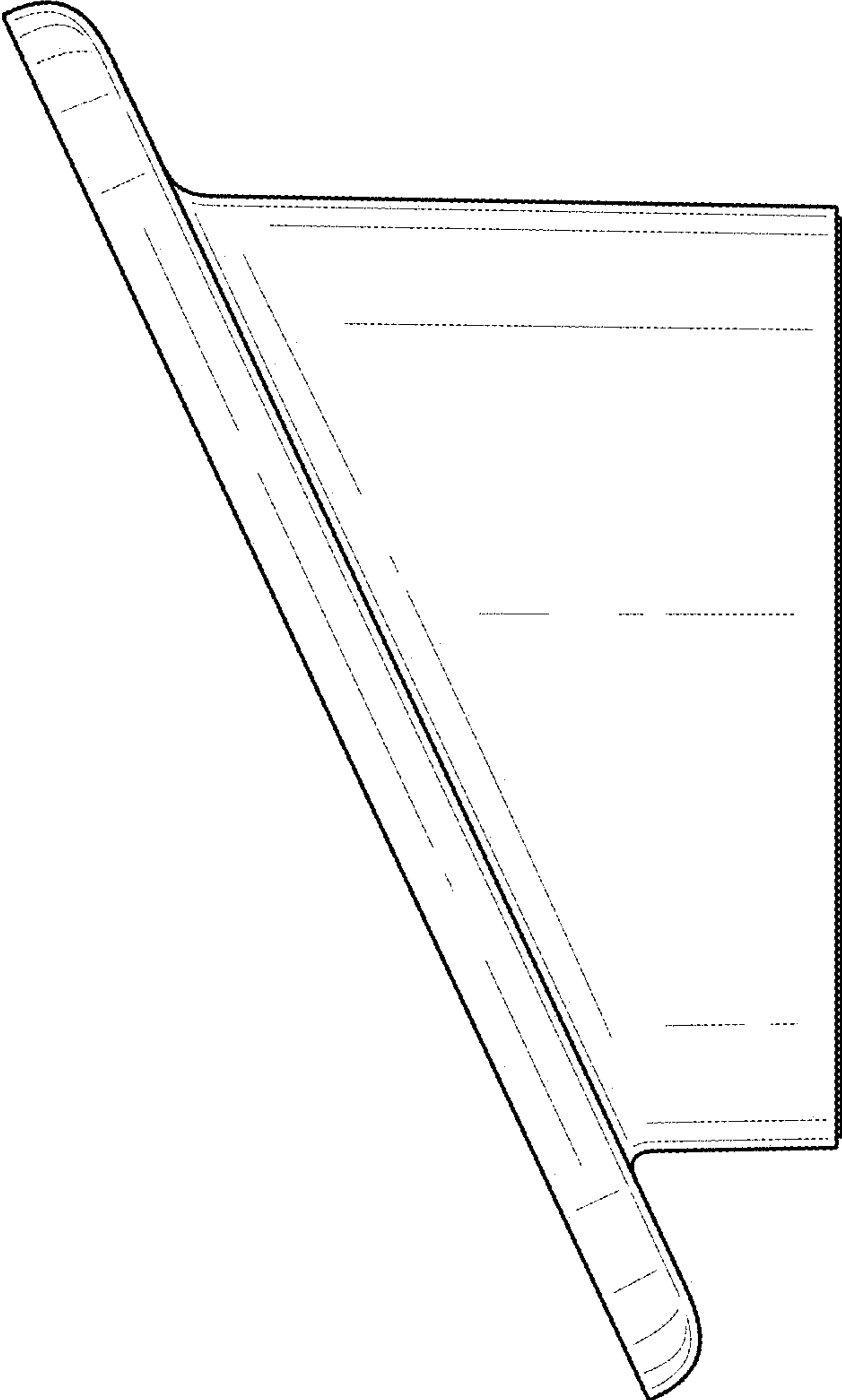
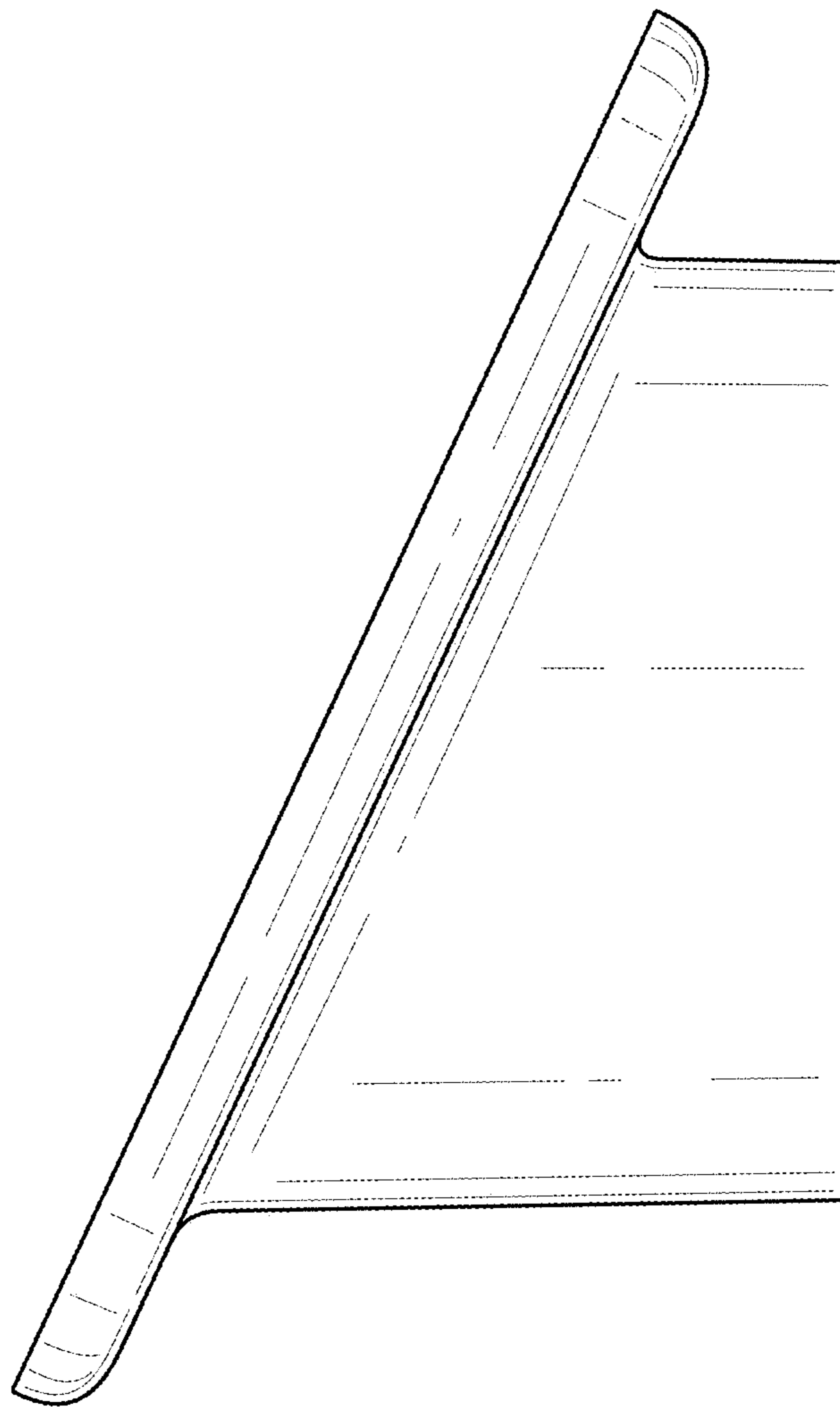
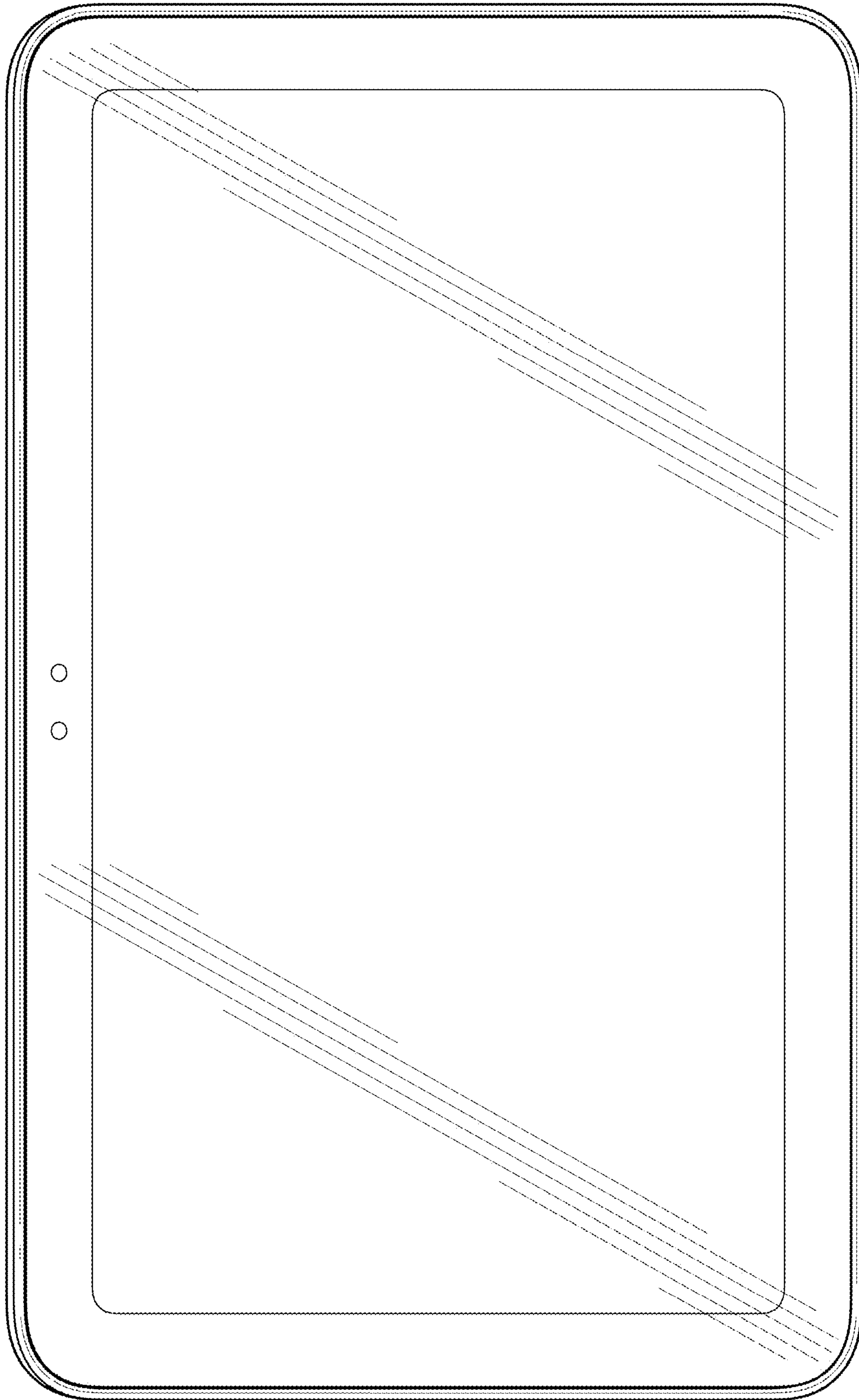


FIG. 13



**FIG. 14**





**FIG. 15**

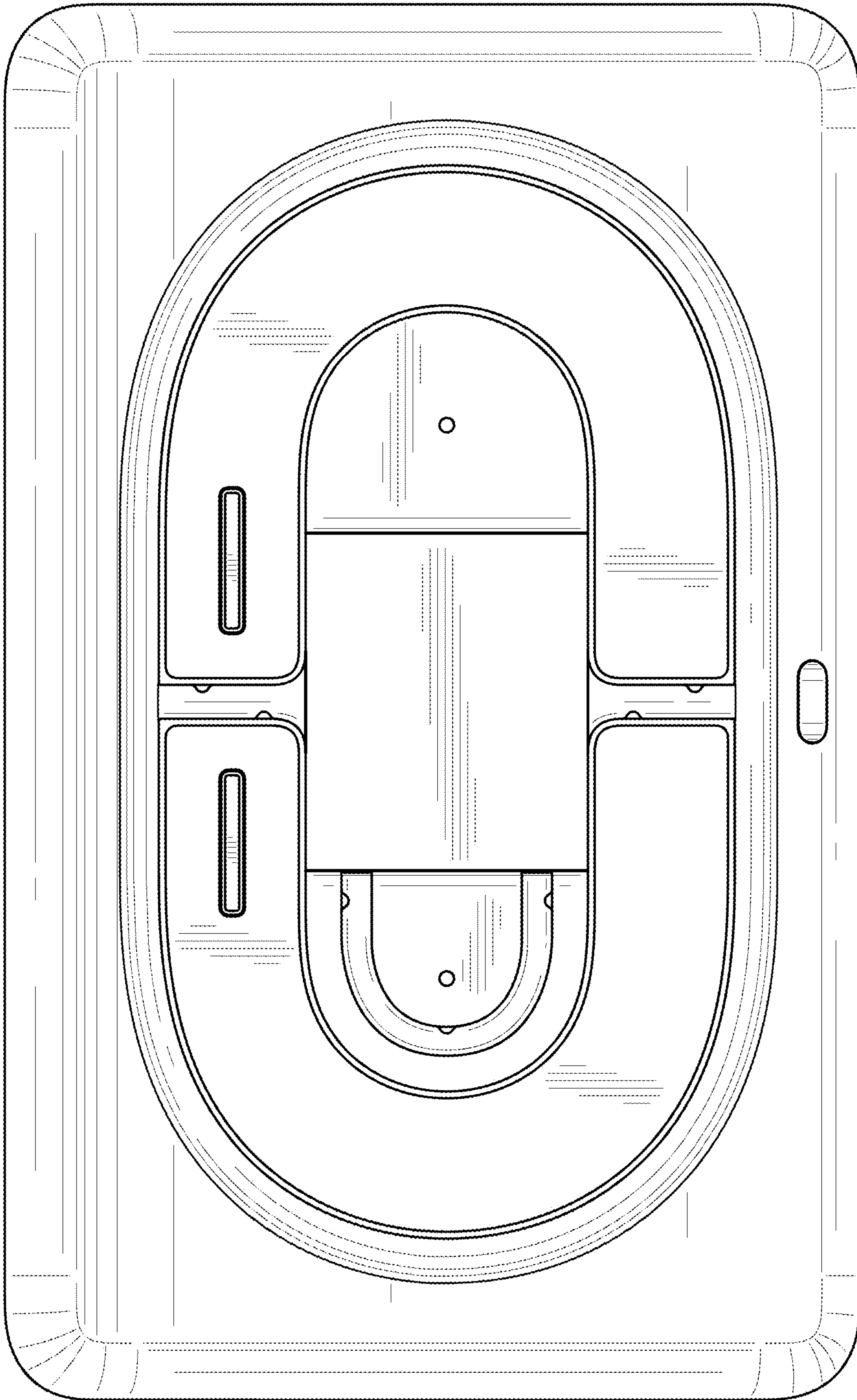


FIG. 16

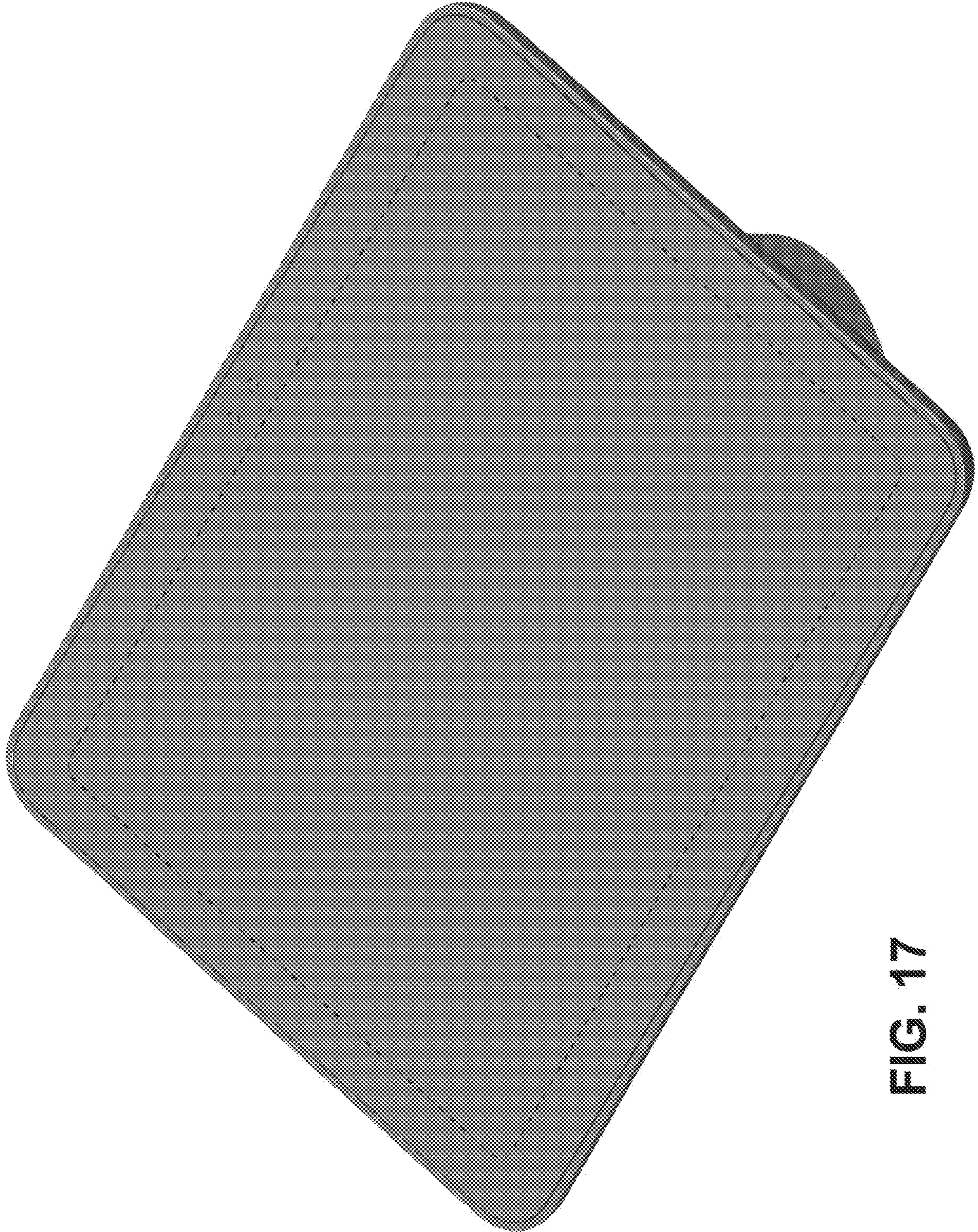


FIG. 17

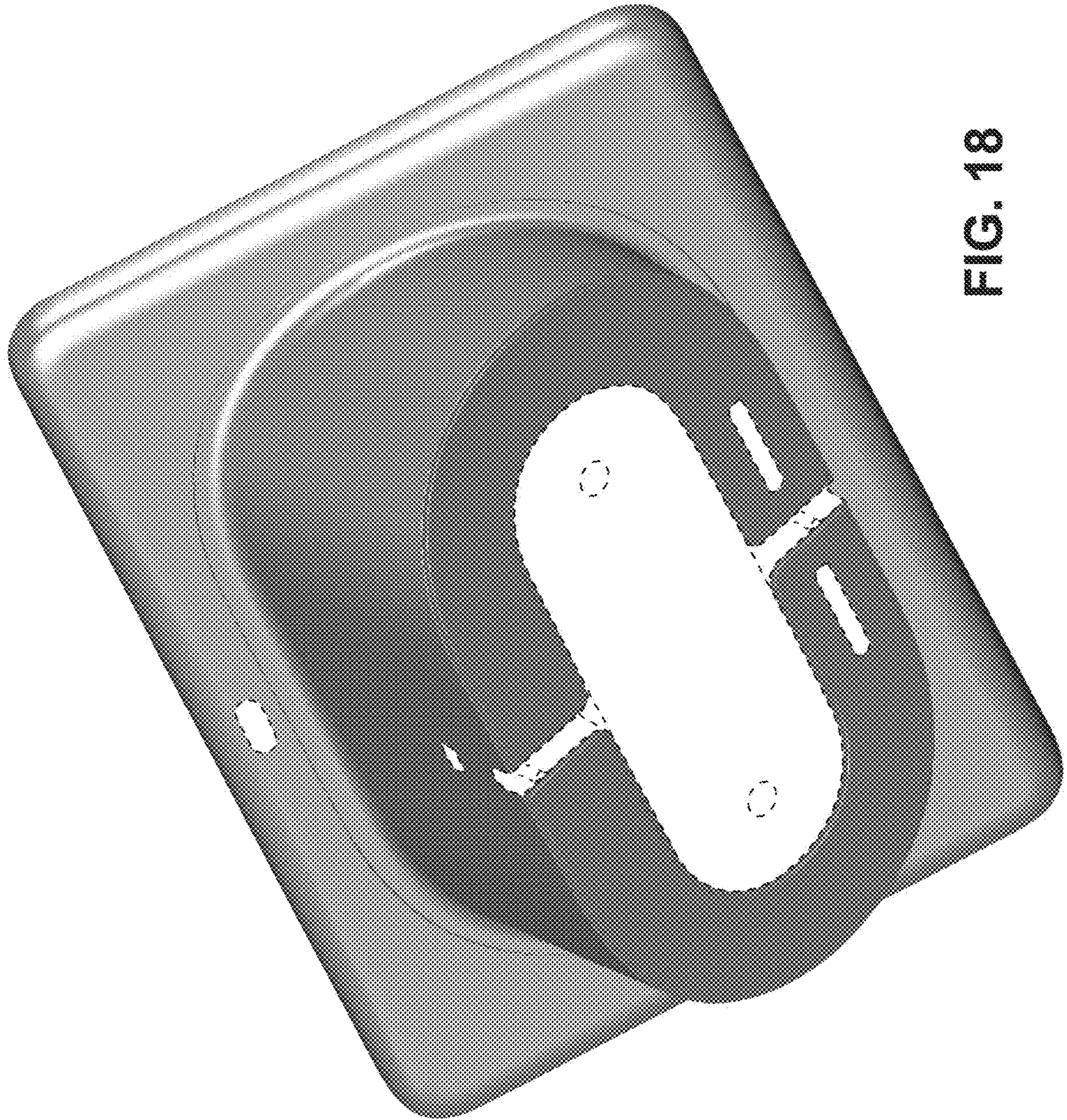


FIG. 18

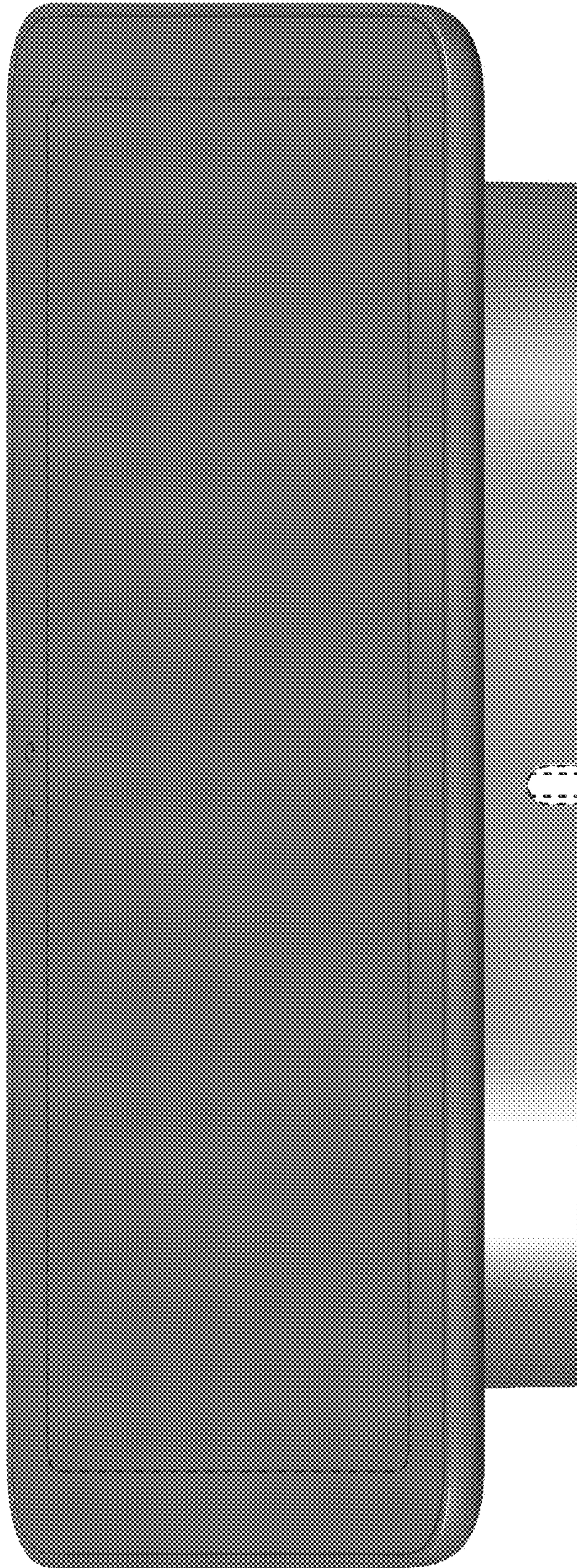


FIG. 19

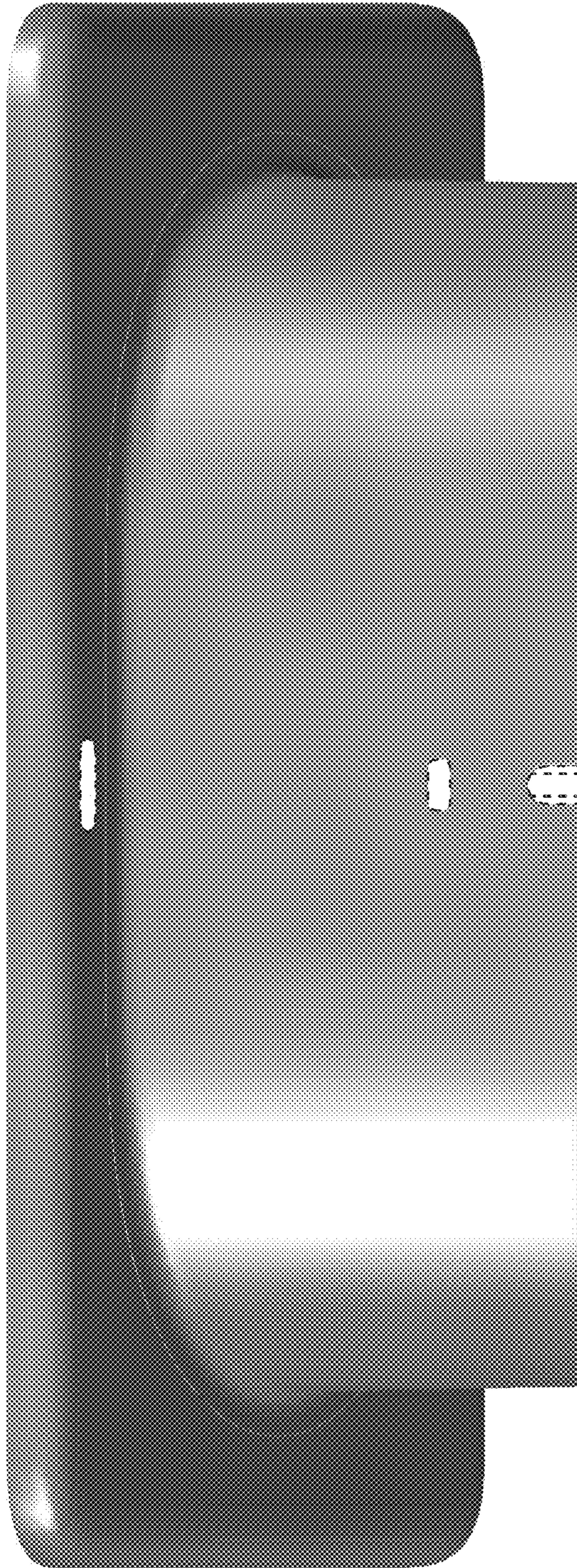


FIG. 20

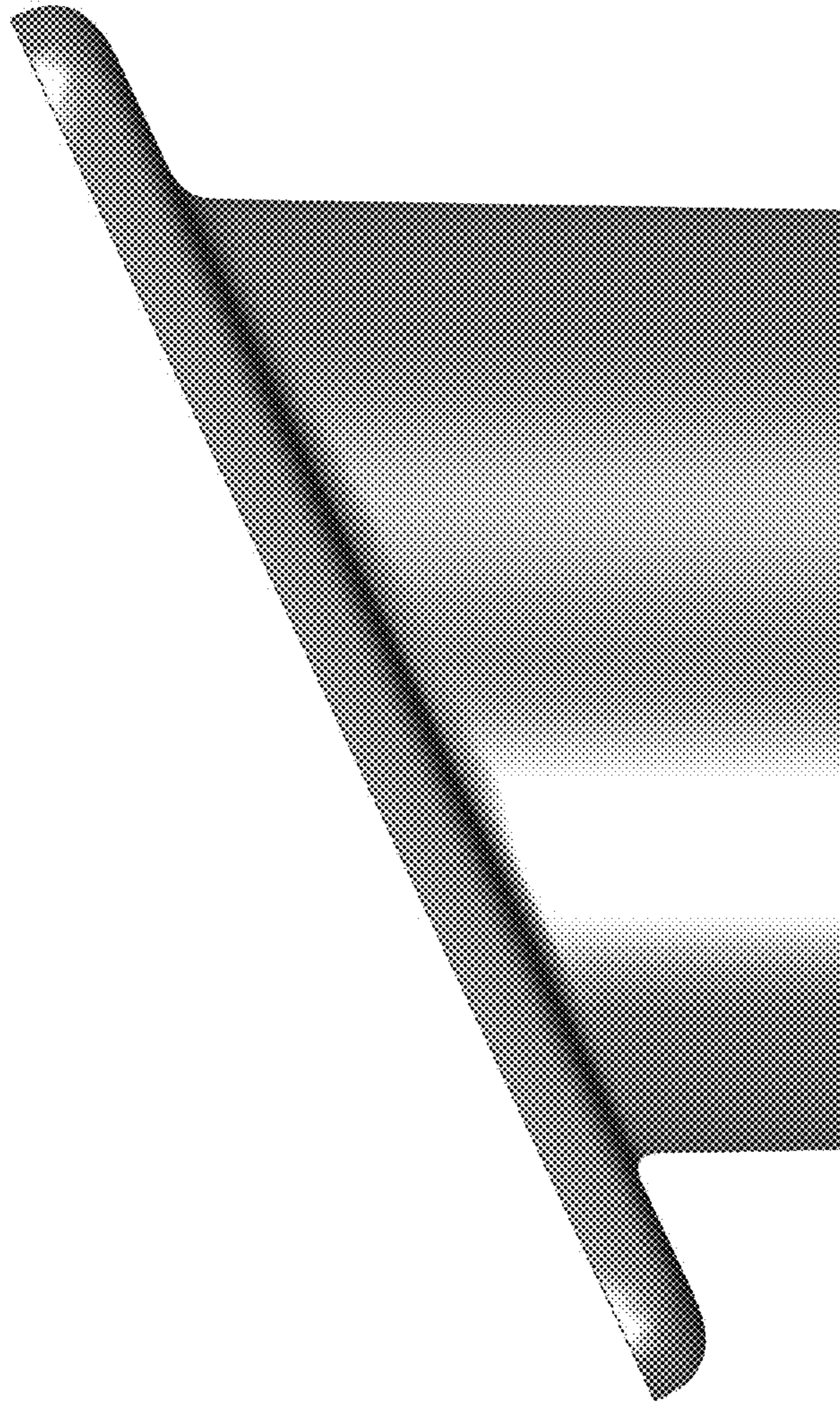


FIG. 21

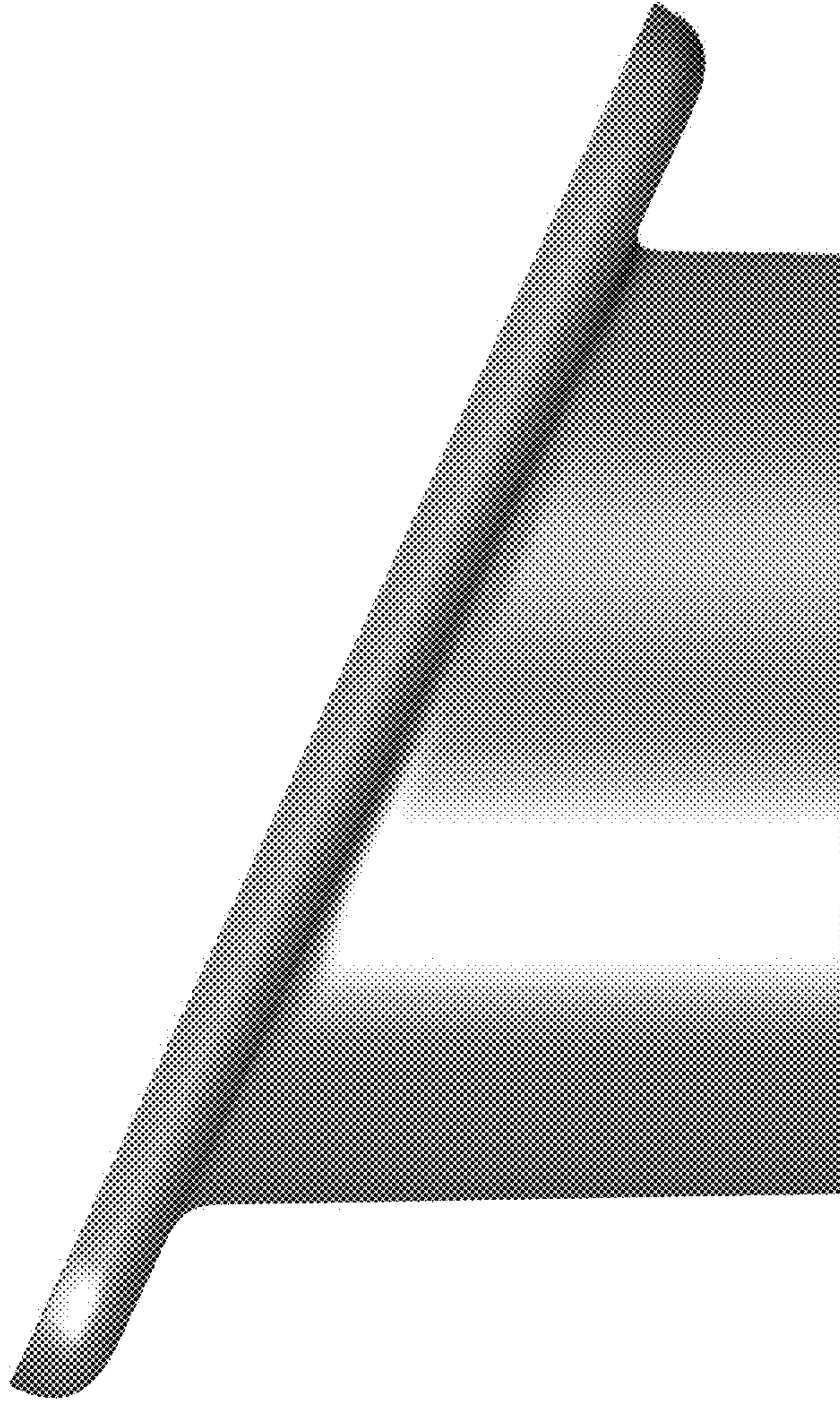
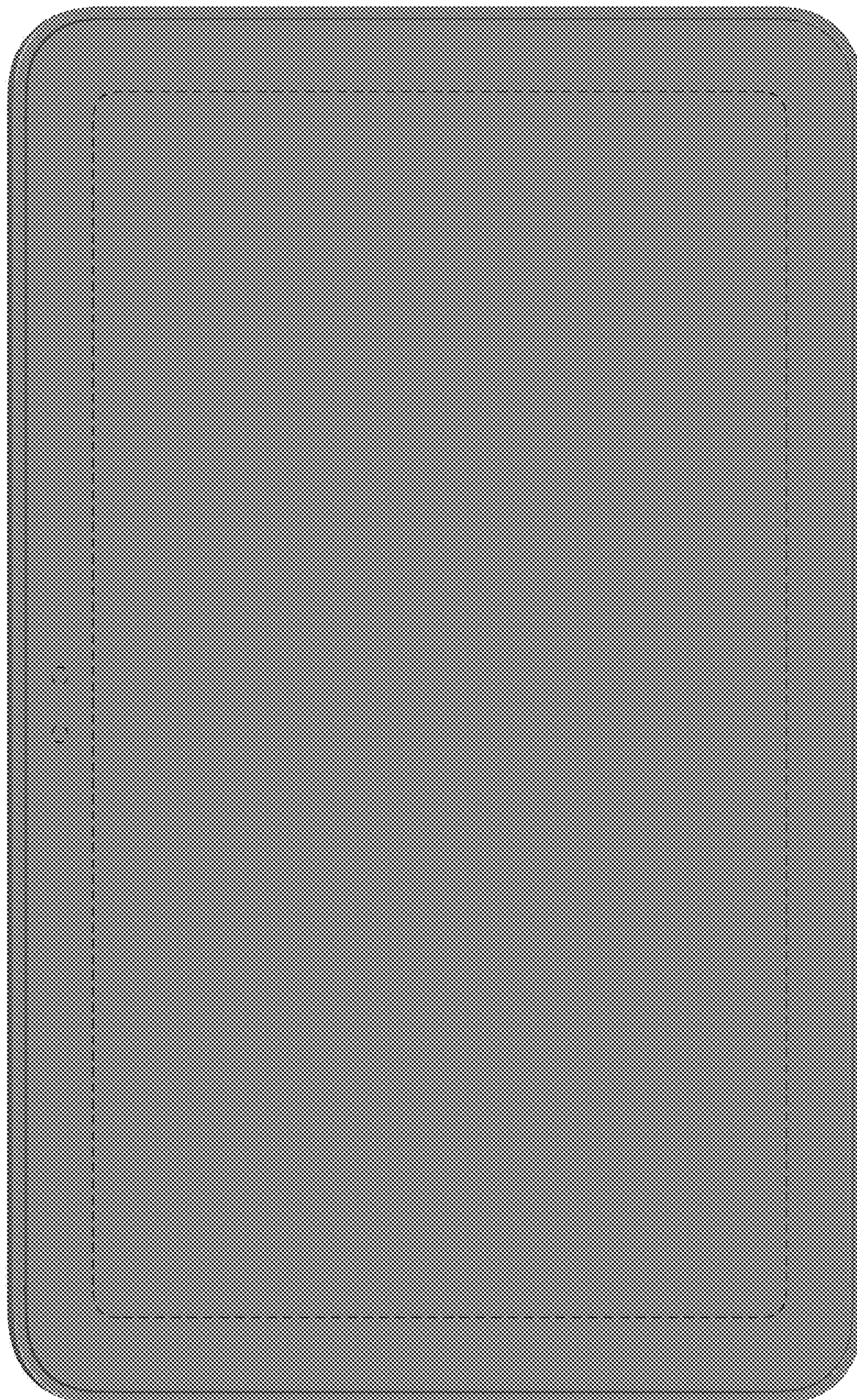


FIG. 22





**FIG. 23**

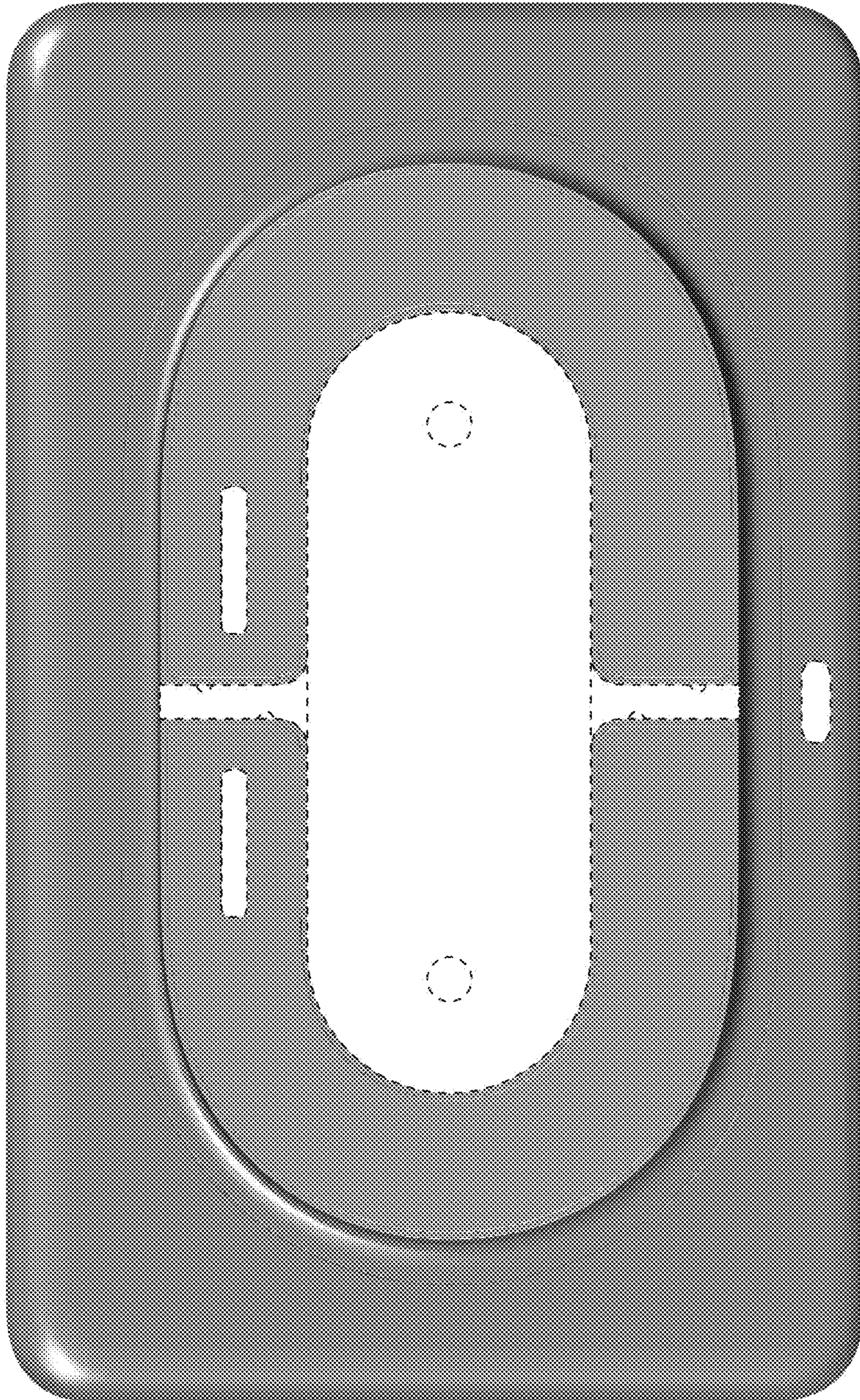


FIG. 24

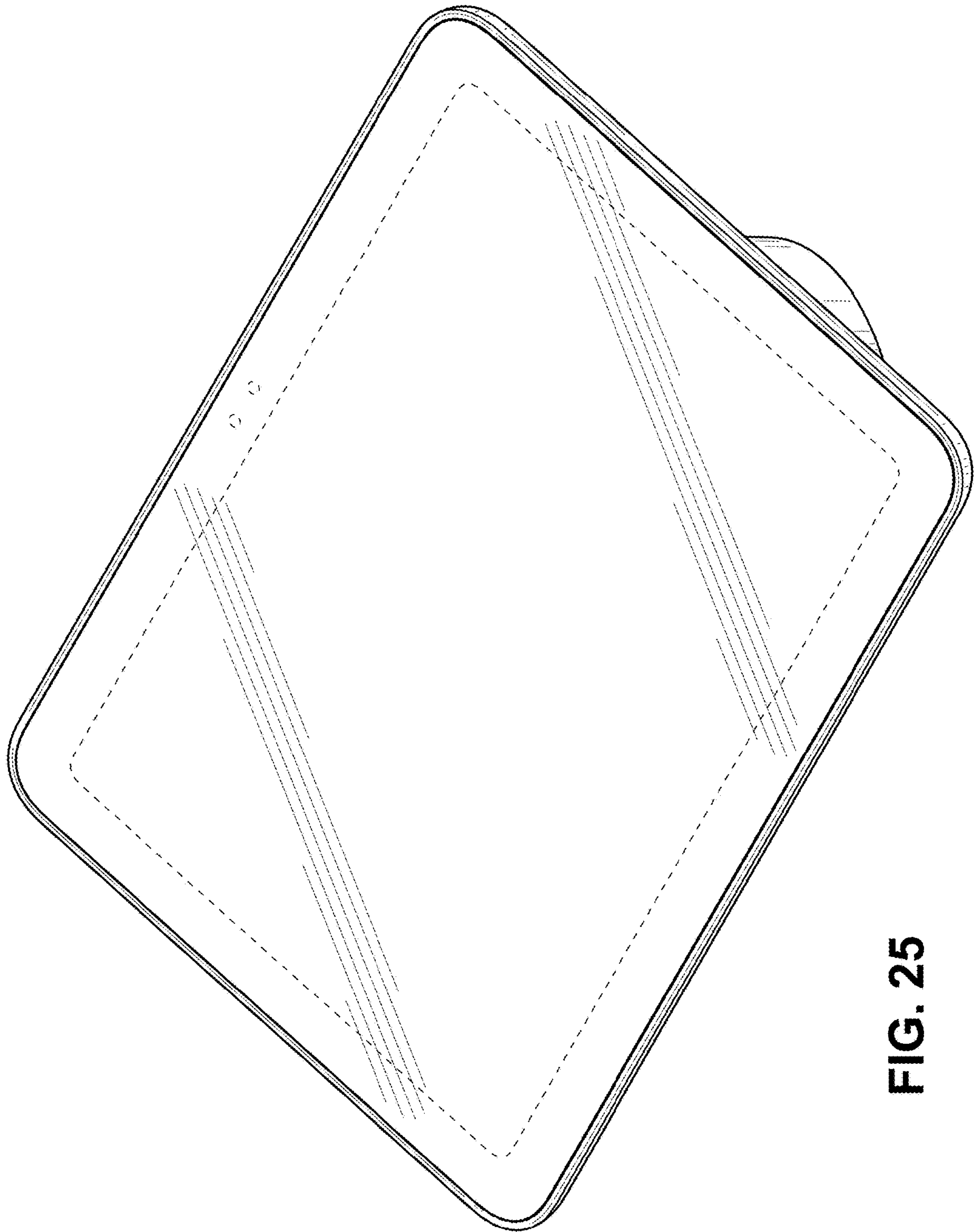


FIG. 25

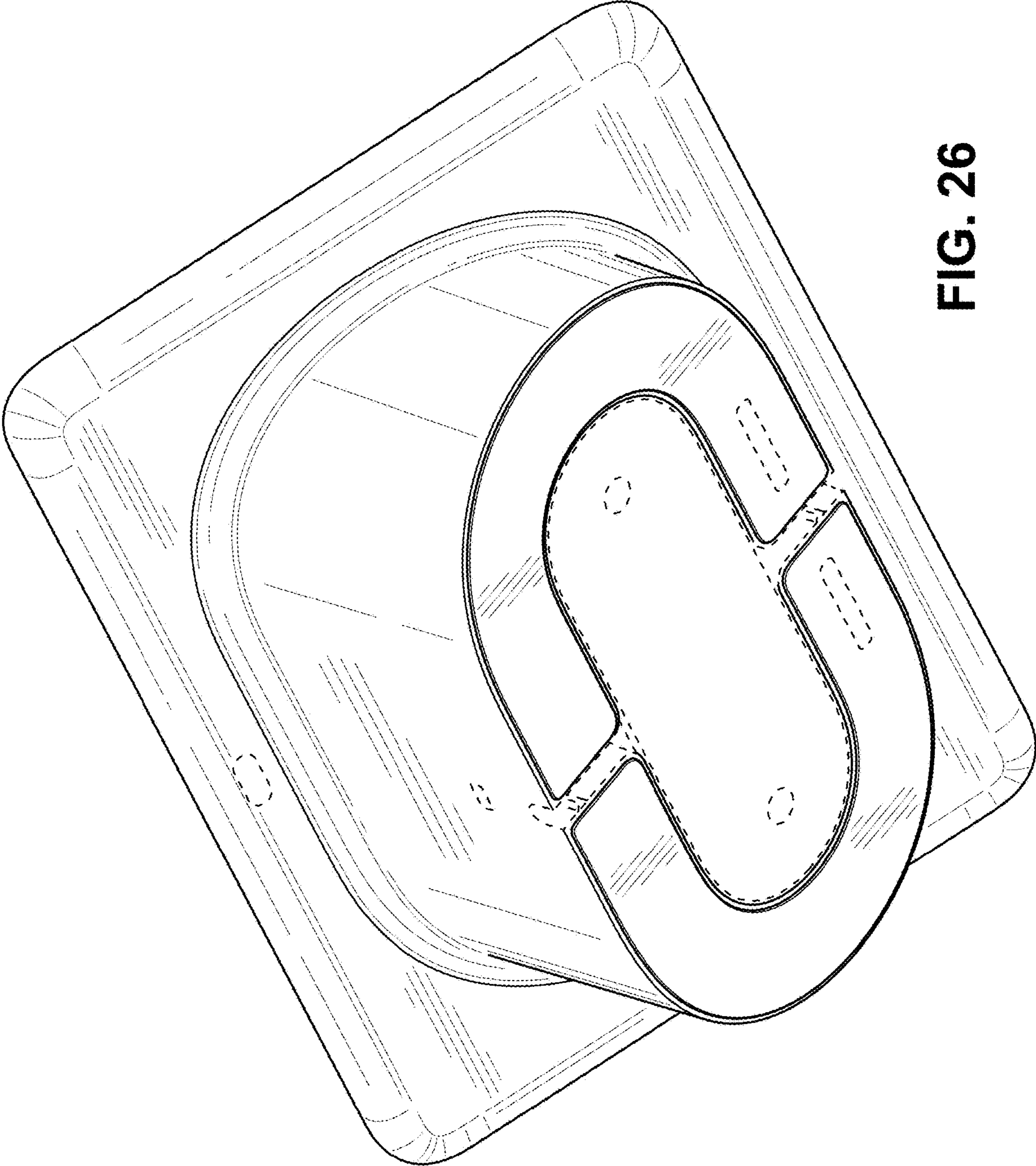


FIG. 26

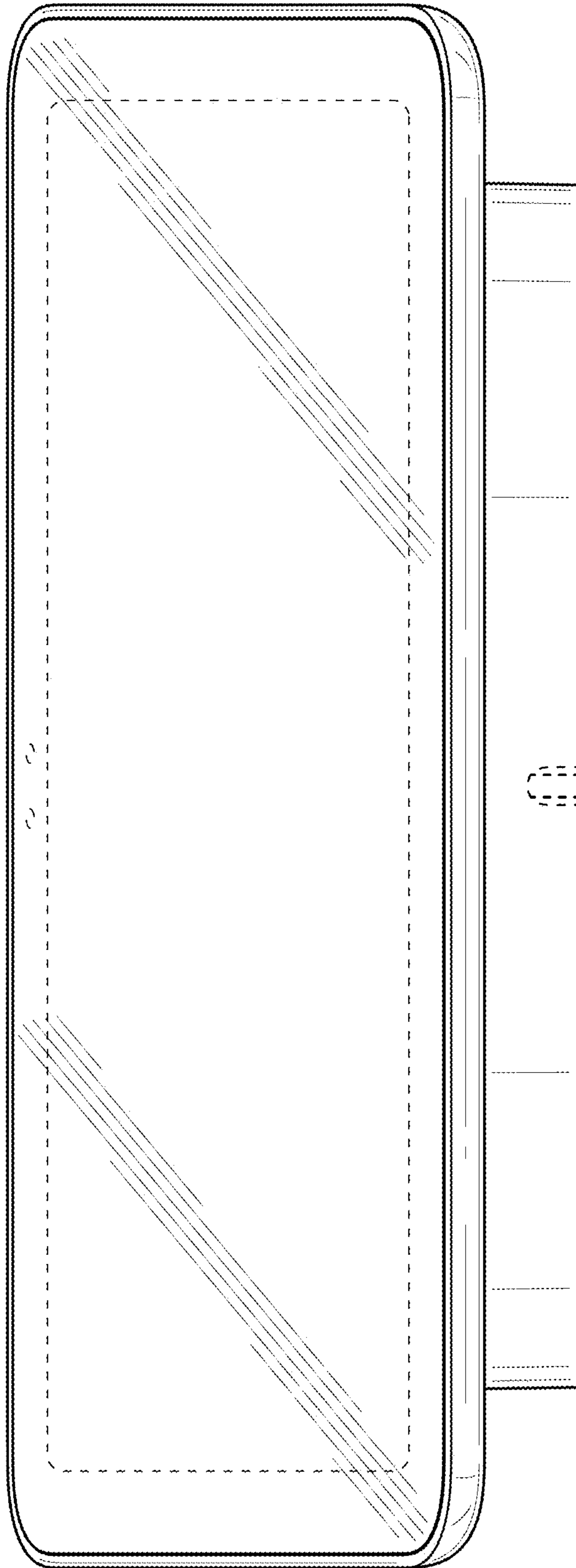


FIG. 27

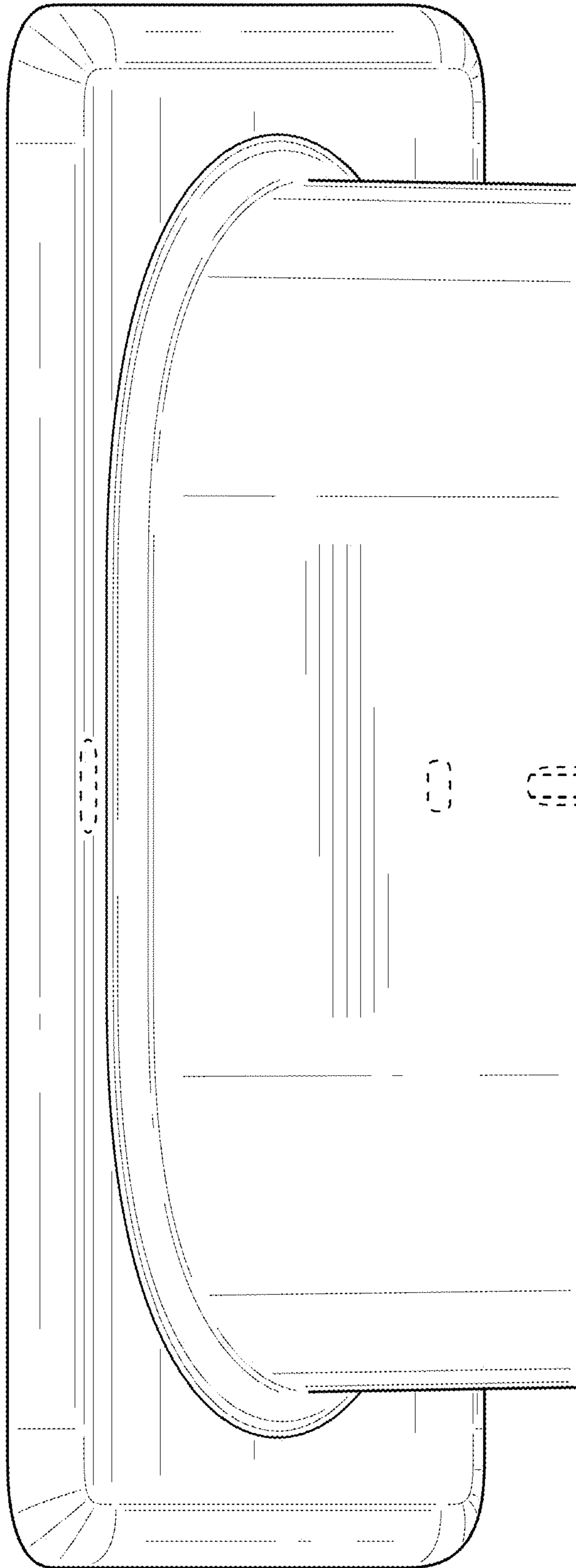
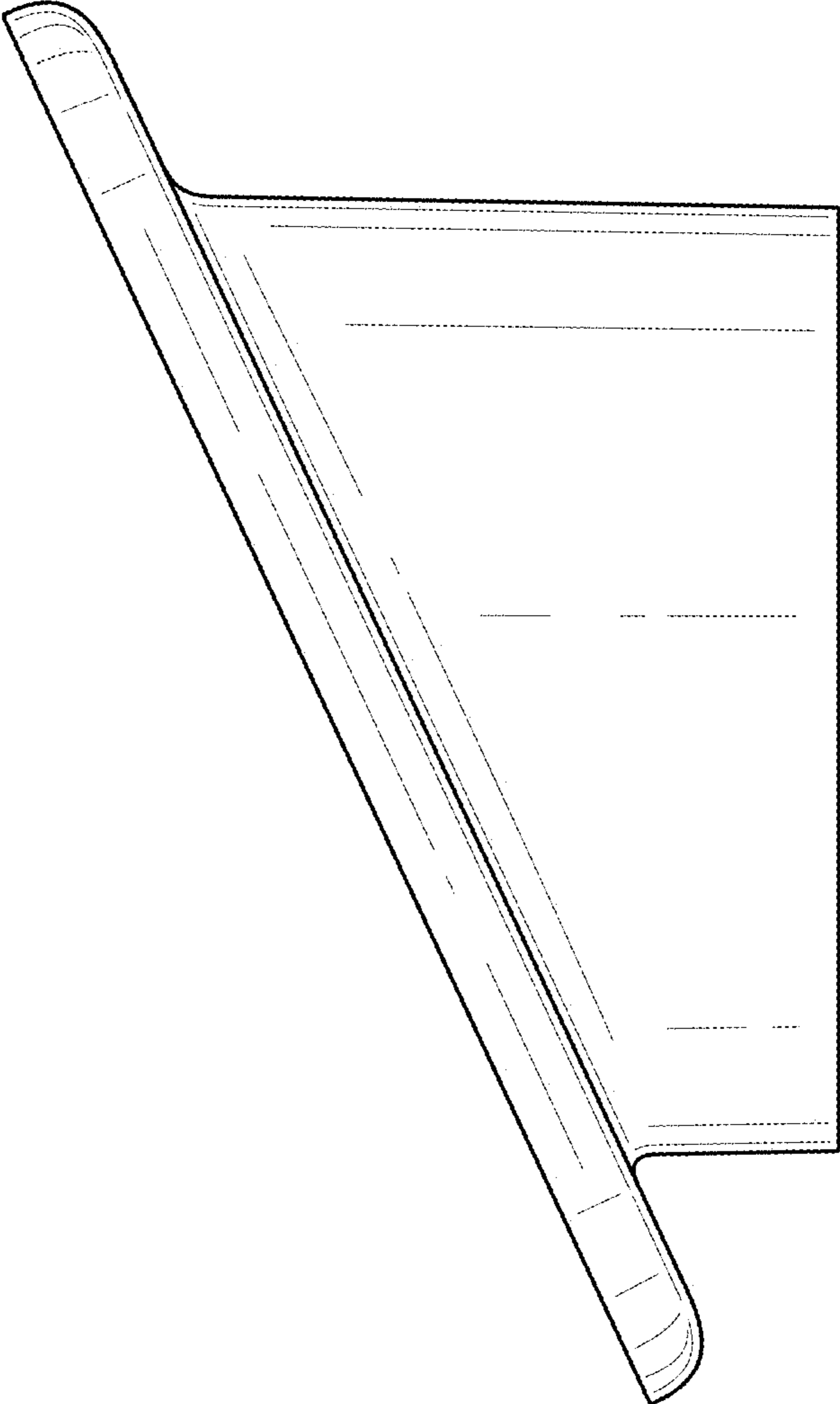
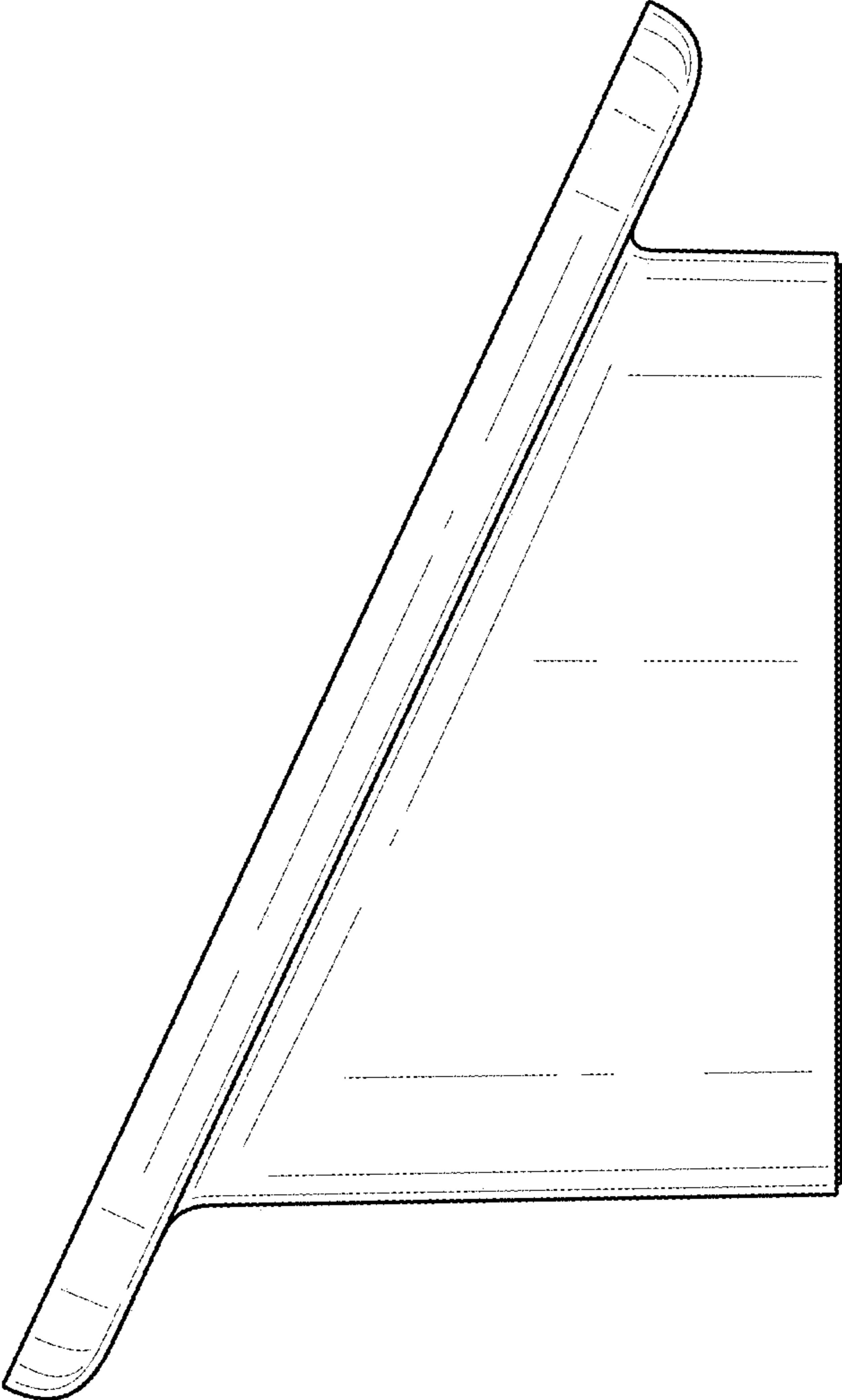


FIG. 28

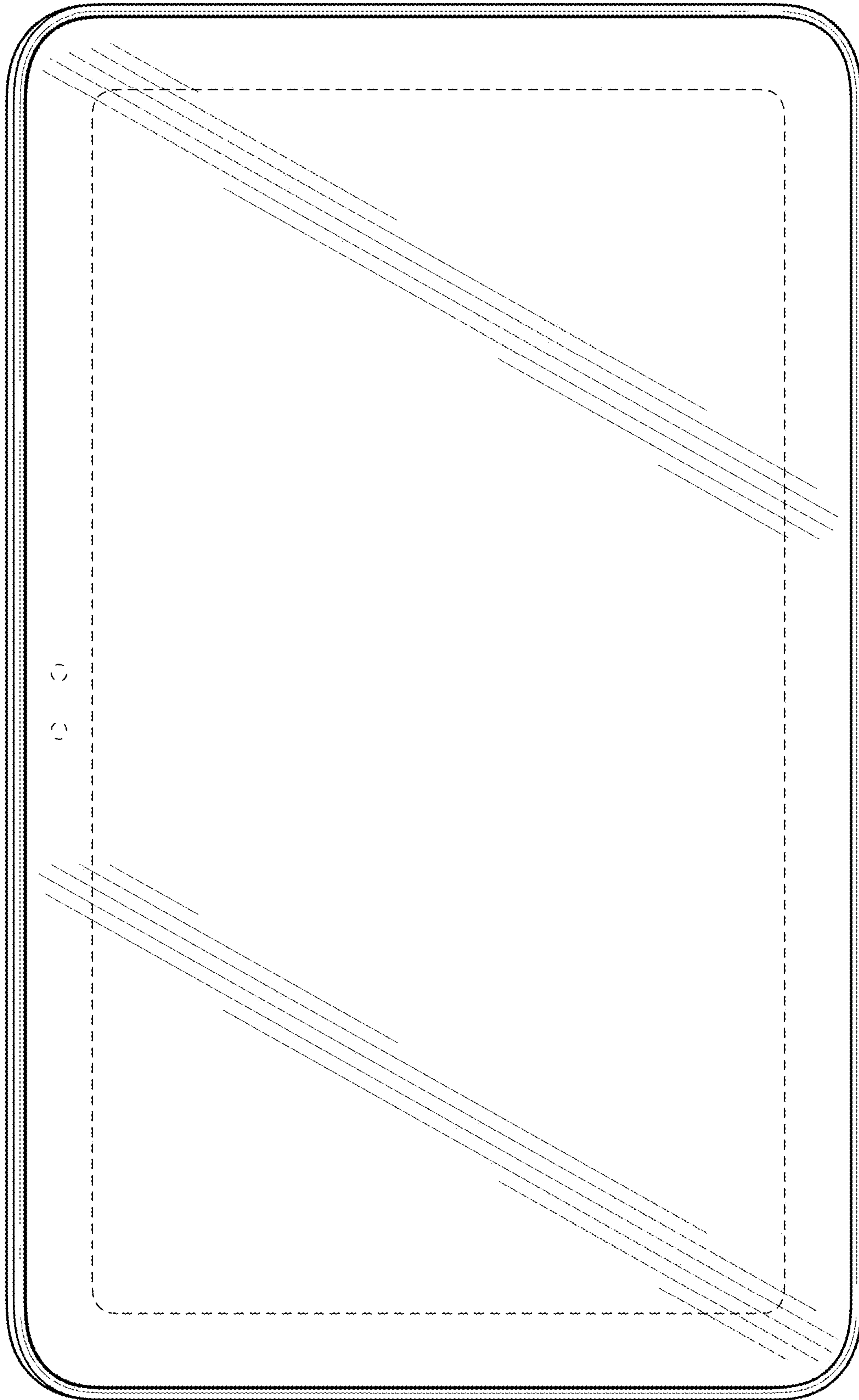


**FIG. 29**



**FIG. 30**





**FIG. 31**

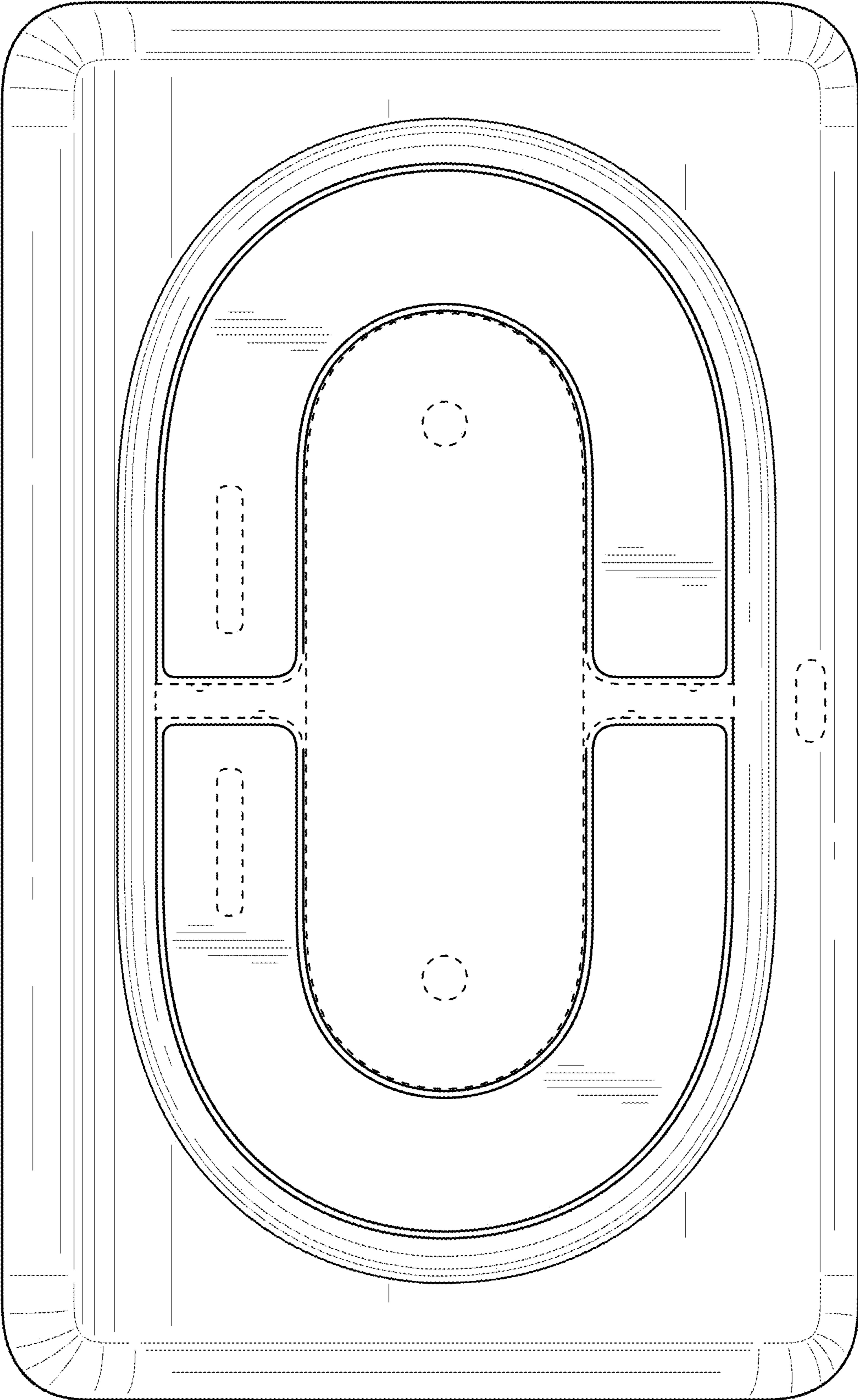


FIG. 32