



US00D983172S

(12) **United States Design Patent**  
**Chen**

(10) **Patent No.:** **US D983,172 S**  
(45) **Date of Patent:** **\*\* Apr. 11, 2023**

- (54) **EARPHONE**
- (71) Applicant: **Shenzhen Ausounds Intelligent Co., Ltd., Shenzhen (CN)**
- (72) Inventor: **Aimin Chen, Shenzhen (CN)**
- (73) Assignee: **Shenzhen Ausounds Intelligent Co., Ltd., Shenzhen (CN)**
- (\*\*) Term: **15 Years**
- (21) Appl. No.: **29/760,377**
- (22) Filed: **Dec. 1, 2020**
- (51) **LOC (14) Cl.** ..... **14-01**
- (52) **U.S. Cl.**  
USPC ..... **D14/223**
- (58) **Field of Classification Search**  
USPC ..... D14/204, 205, 207, 221, 223; D24/106, D24/173, 174; D29/112  
CPC . H04R 1/08; H04R 1/10; H04R 1/105; H04R 1/1016; H04R 1/1033; H04R 1/1066; H04R 5/033; H04R 5/0335; H04R 25/00  
See application file for complete search history.

D950,525 S *	5/2022	Chen .....	D14/223
D956,720 S *	7/2022	Huang .....	D14/223
D956,722 S *	7/2022	Zhou .....	D14/223
D957,367 S *	7/2022	Sun .....	D14/223

**FOREIGN PATENT DOCUMENTS**

CN 305459049 \* 11/2019

**OTHER PUBLICATIONS**

Aihoor Wireless, first available May 8, 2021 [online], [retrieved Jul. 12, 2022]. Available from the Internet, URL:<<https://a.co/d/iffITVP>>. (Year: 2021).\*

QCYT 11. first available May 22, 2021 [online], [retrieved Jul. 12, 2022]. Available from the Internet, URL:<<https://a.co/d/3MjHPLt>>. (Year: 2021).\*

(Continued)

*Primary Examiner* — Dana K Weiland  
*Assistant Examiner* — Russell Carnell Smith, Jr.  
 (74) *Attorney, Agent, or Firm* — Westbridge IP LLC

(57) **CLAIM**

The ornamental design for an earphone, as shown and described.

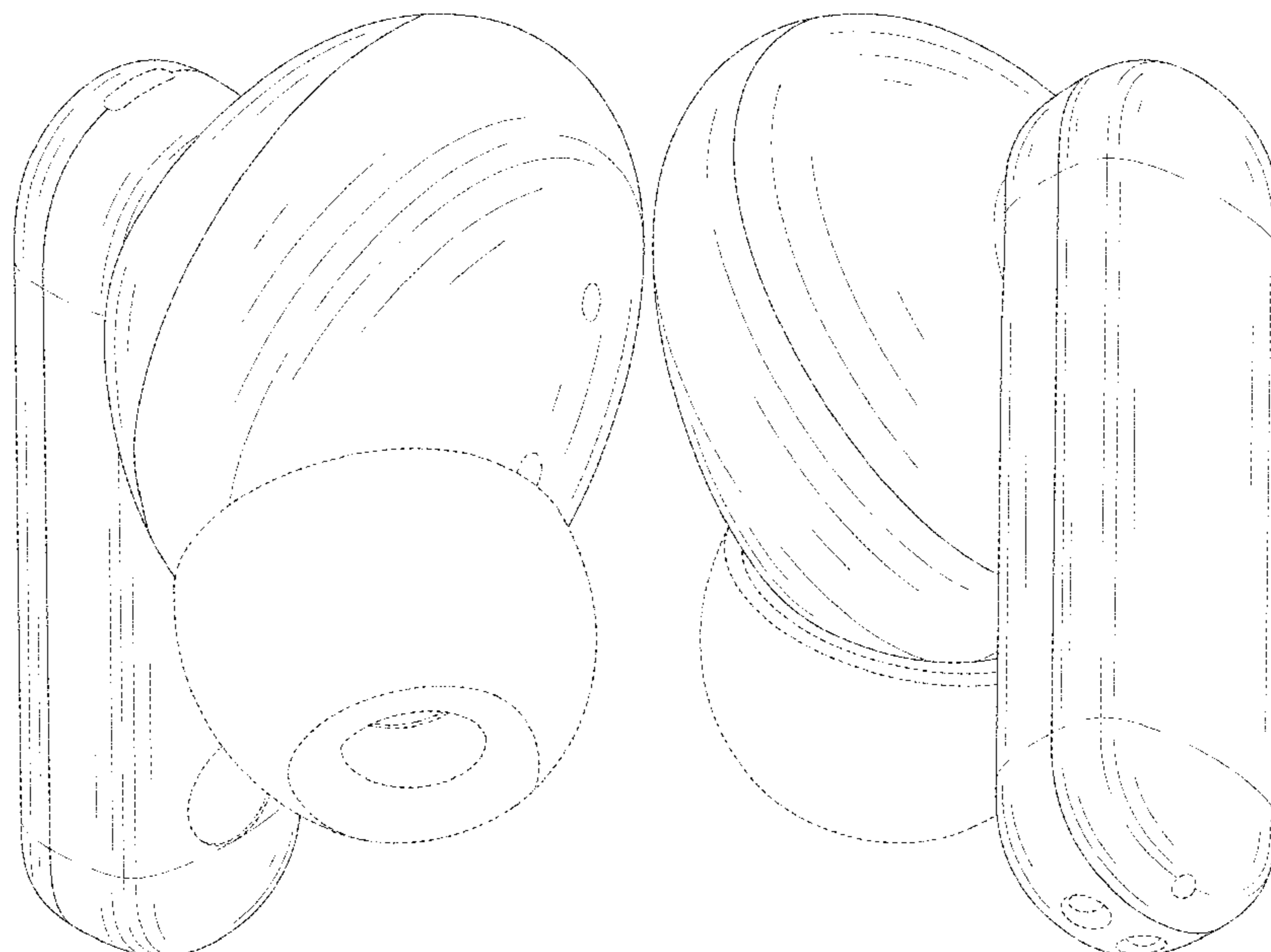
**DESCRIPTION**

FIG. 1 is a front perspective view of an earphone showing my new design;  
 FIG. 2 is a rear perspective view thereof;  
 FIG. 3 is a front elevational view thereof;  
 FIG. 4 is a rear elevational view thereof;  
 FIG. 5 is a left side elevational view thereof;  
 FIG. 6 is a right side elevational view thereof;  
 FIG. 7 is a top plan view thereof; and,  
 FIG. 8 is a bottom plan view thereof.  
 The broken lines in the drawings illustrate the portions of the earphone which form no part of the claimed design.

**1 Claim, 8 Drawing Sheets**

(56) **References Cited**  
 U.S. PATENT DOCUMENTS

D775,108 S *	12/2016	Hsieh .....	D14/223
D847,794 S *	5/2019	Guo .....	D14/223
D894,875 S *	9/2020	Zhao .....	D14/223
D895,579 S *	9/2020	Yang .....	D14/223
D895,582 S *	9/2020	Wu .....	D14/223
D918,178 S *	5/2021	Chen .....	D14/223
D918,182 S *	5/2021	Chen .....	D14/223
D925,500 S *	7/2021	Chen .....	D14/223
D928,126 S *	8/2021	Chen .....	D14/223
D937,246 S *	11/2021	Li .....	D14/223
D940,690 S *	1/2022	Zhang .....	D14/223
D948,482 S *	4/2022	Liu .....	D14/223



(56)

**References Cited**

OTHER PUBLICATIONS

Huawei Freebuds, first available May 6, 2021 [online], [retrieved Jul. 12, 2022]. Available from the Internet, URL:<<https://a.co/d/7E9uXbe>>. (Year: 2021).\*

Raycon Work, first available Apr. 26, 2022 [online], [retrieved Jul. 12, 2022]. Available from the Internet, URL:<<https://a.co/d/375yR43>>. (Year: 2022).\*

Umidigi AirBuds, first available Dec. 31, 2021 [online], [retrieved Jul. 12, 2022]. Available from the Internet, URL:<<https://a.co/d/co9Ba4a>>. (Year: 2021).\*

\* cited by examiner

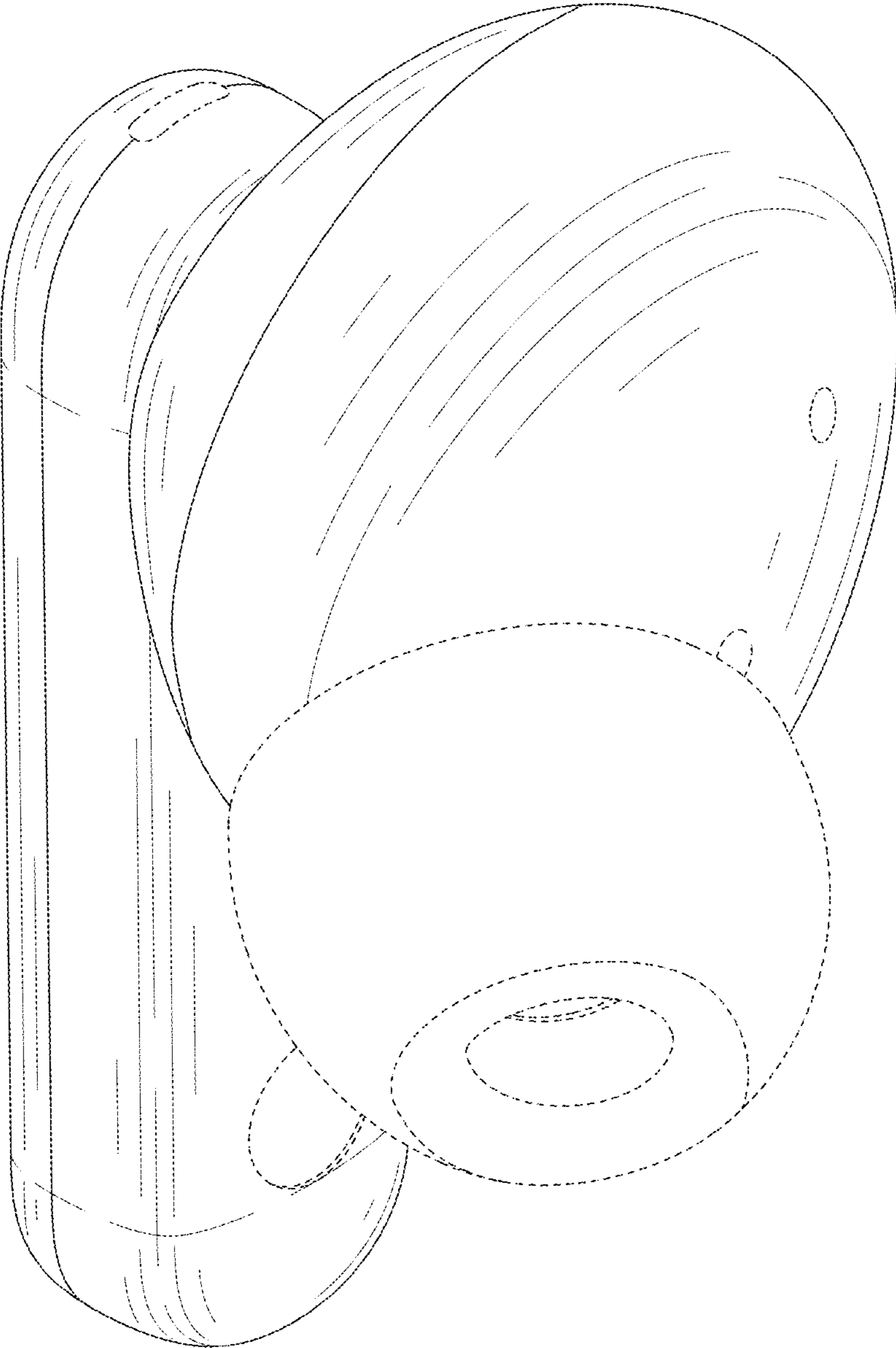


FIG.1

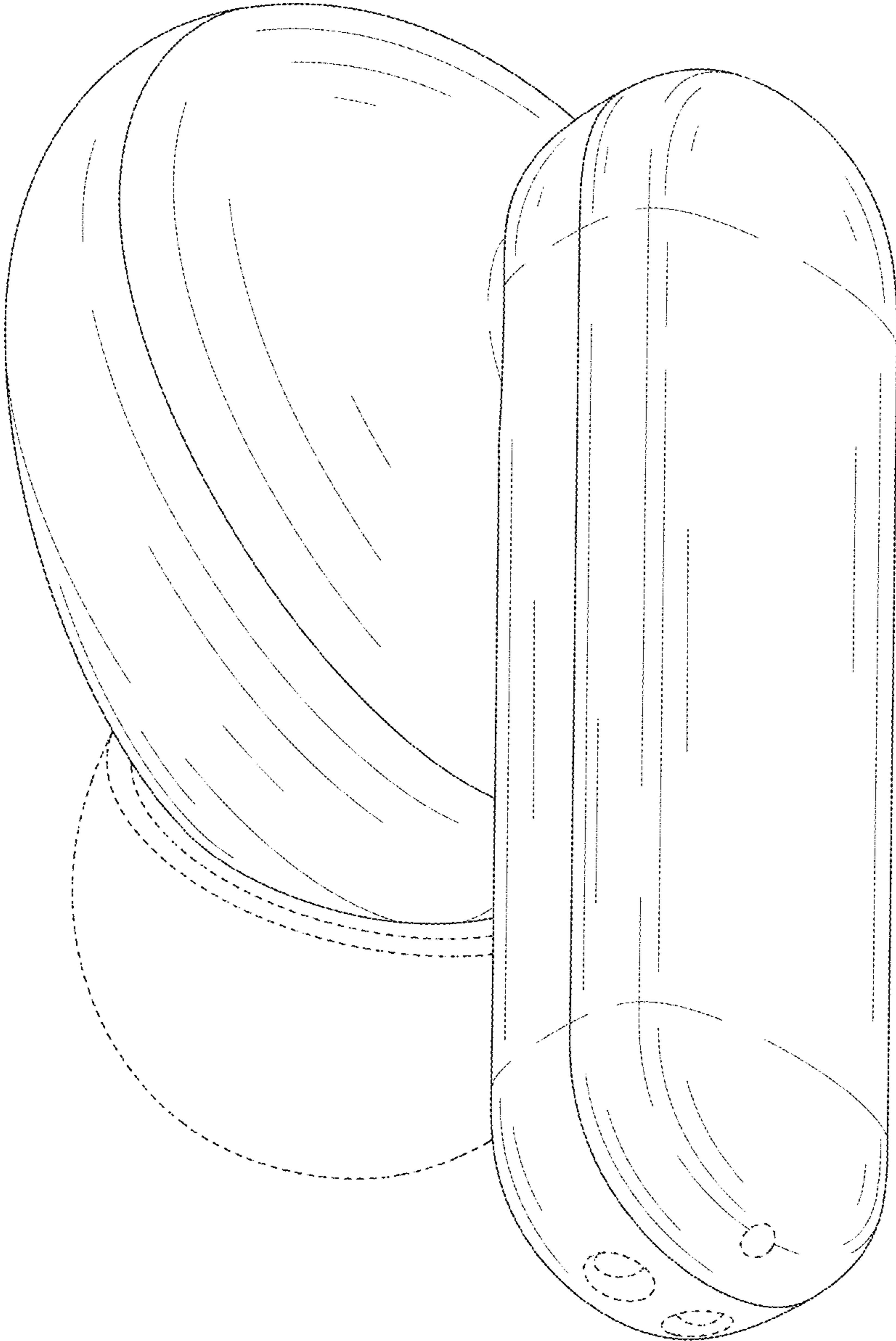


FIG.2

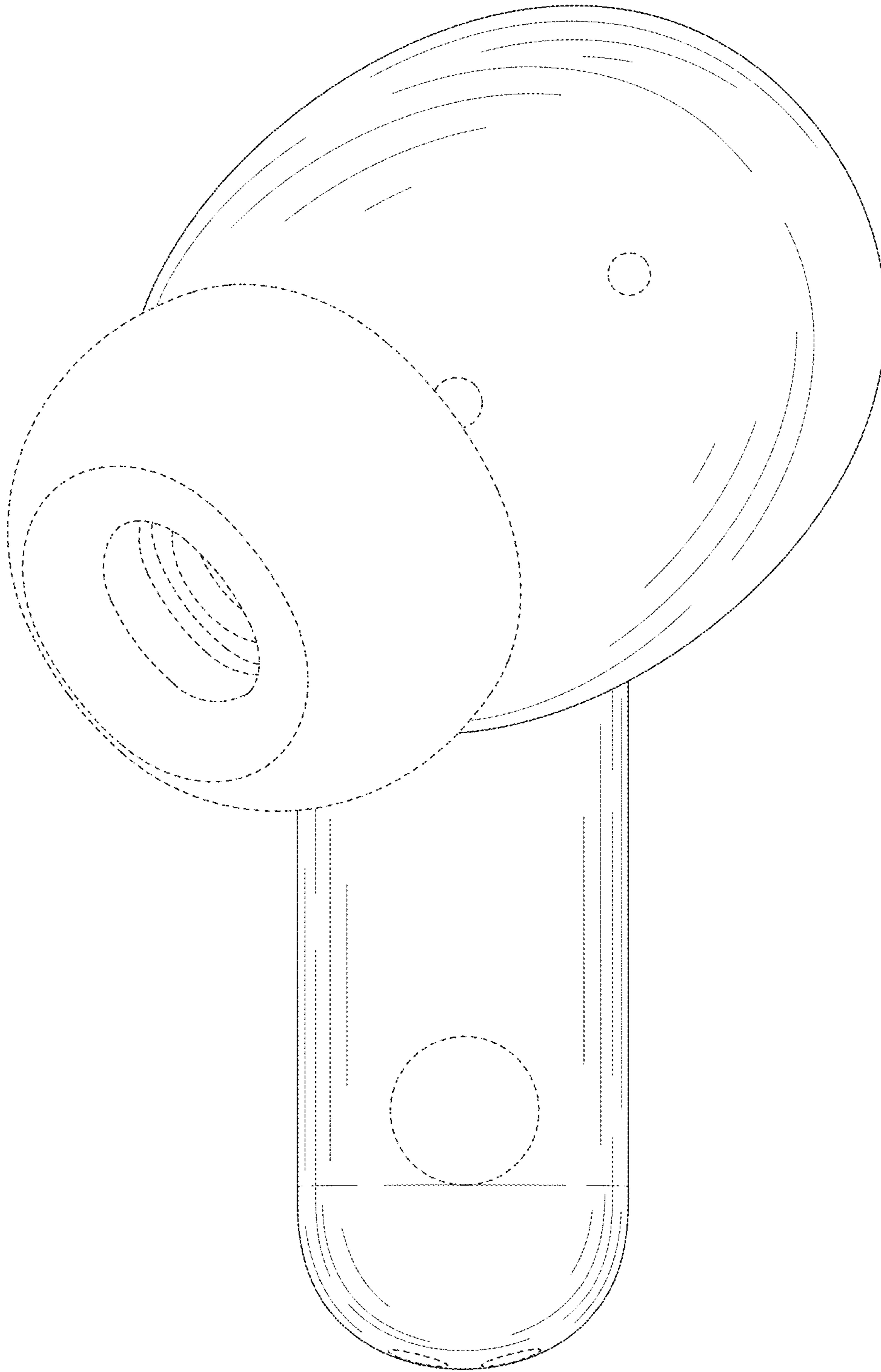


FIG. 3

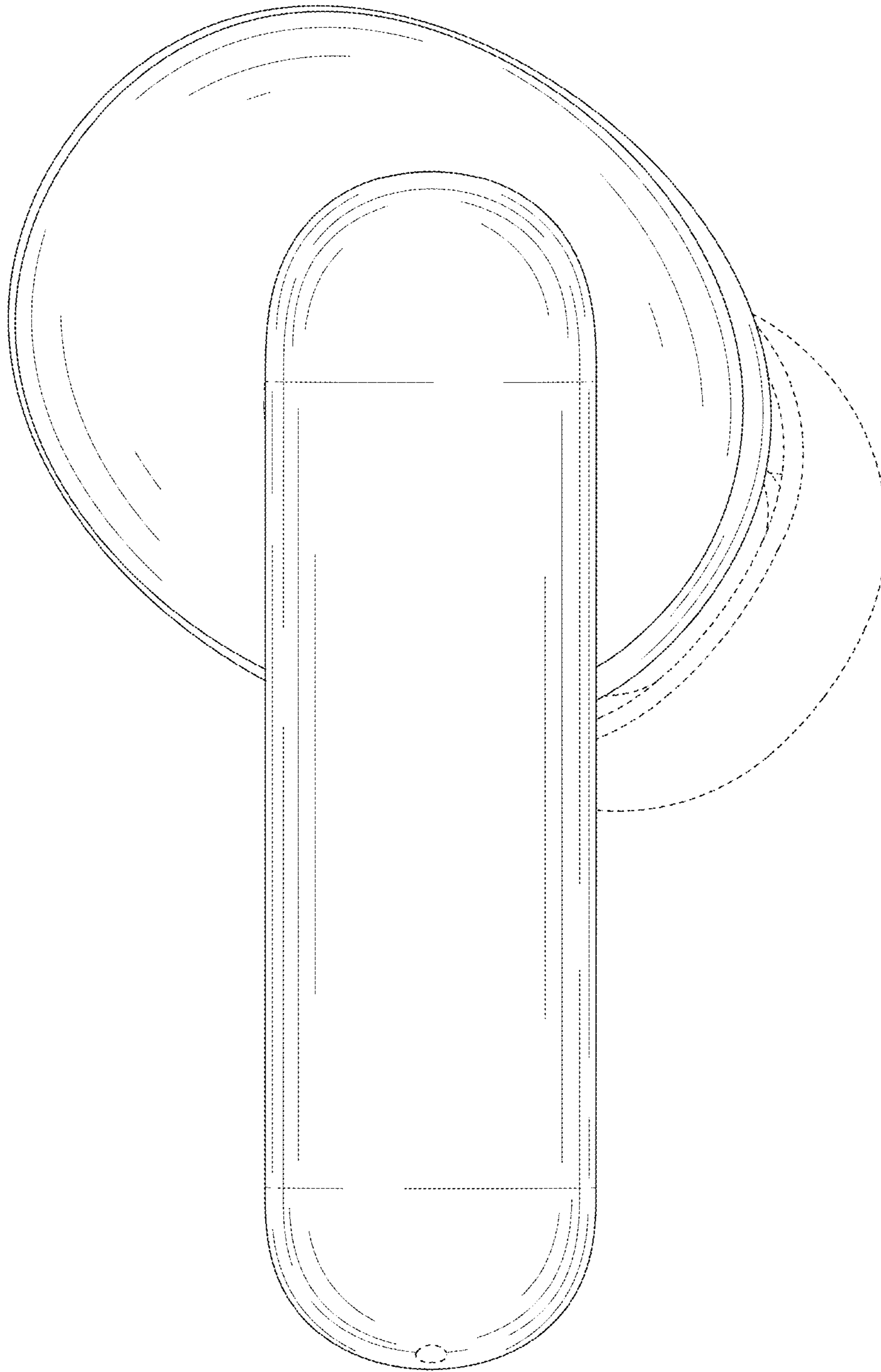


FIG.4

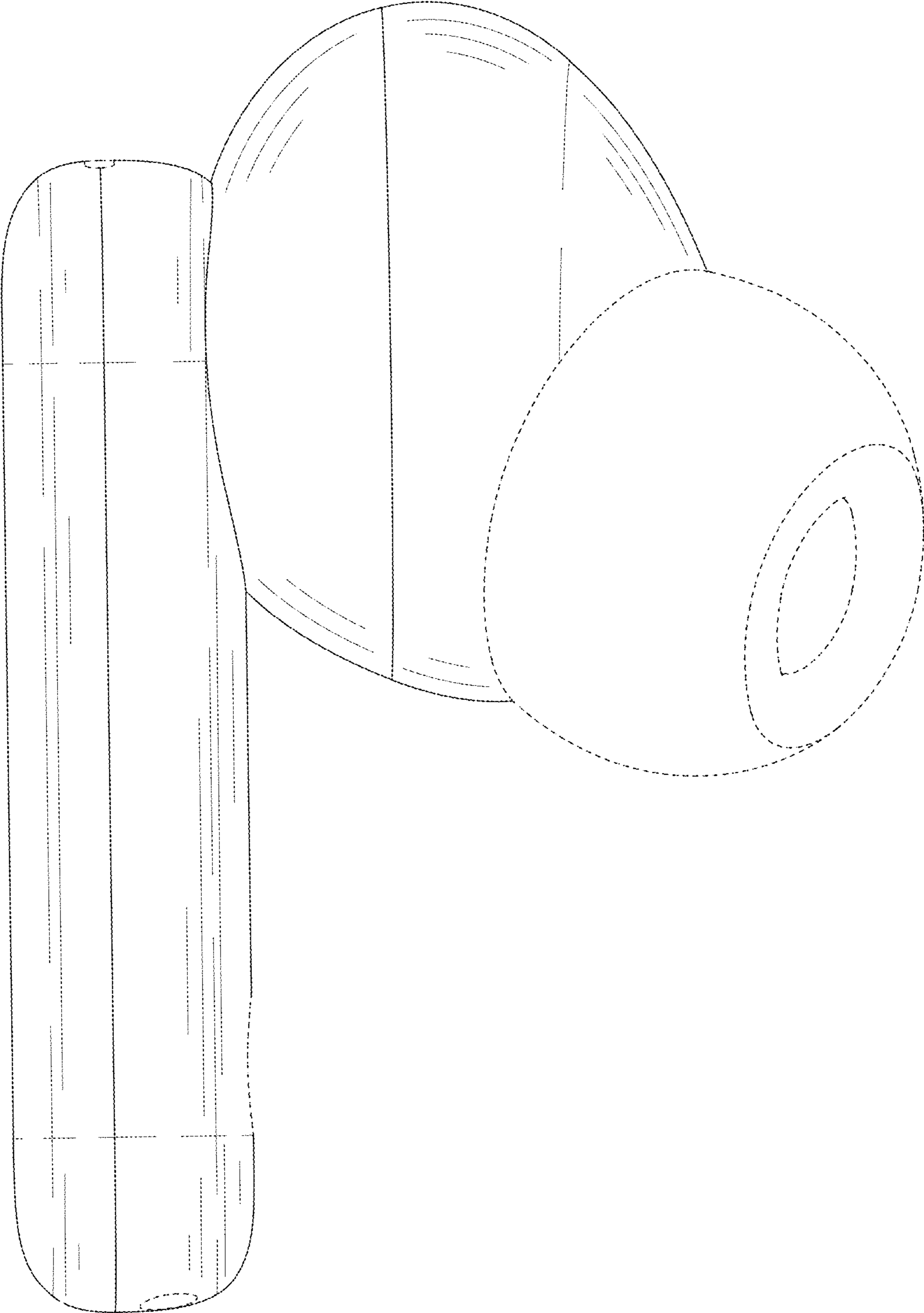


FIG.5

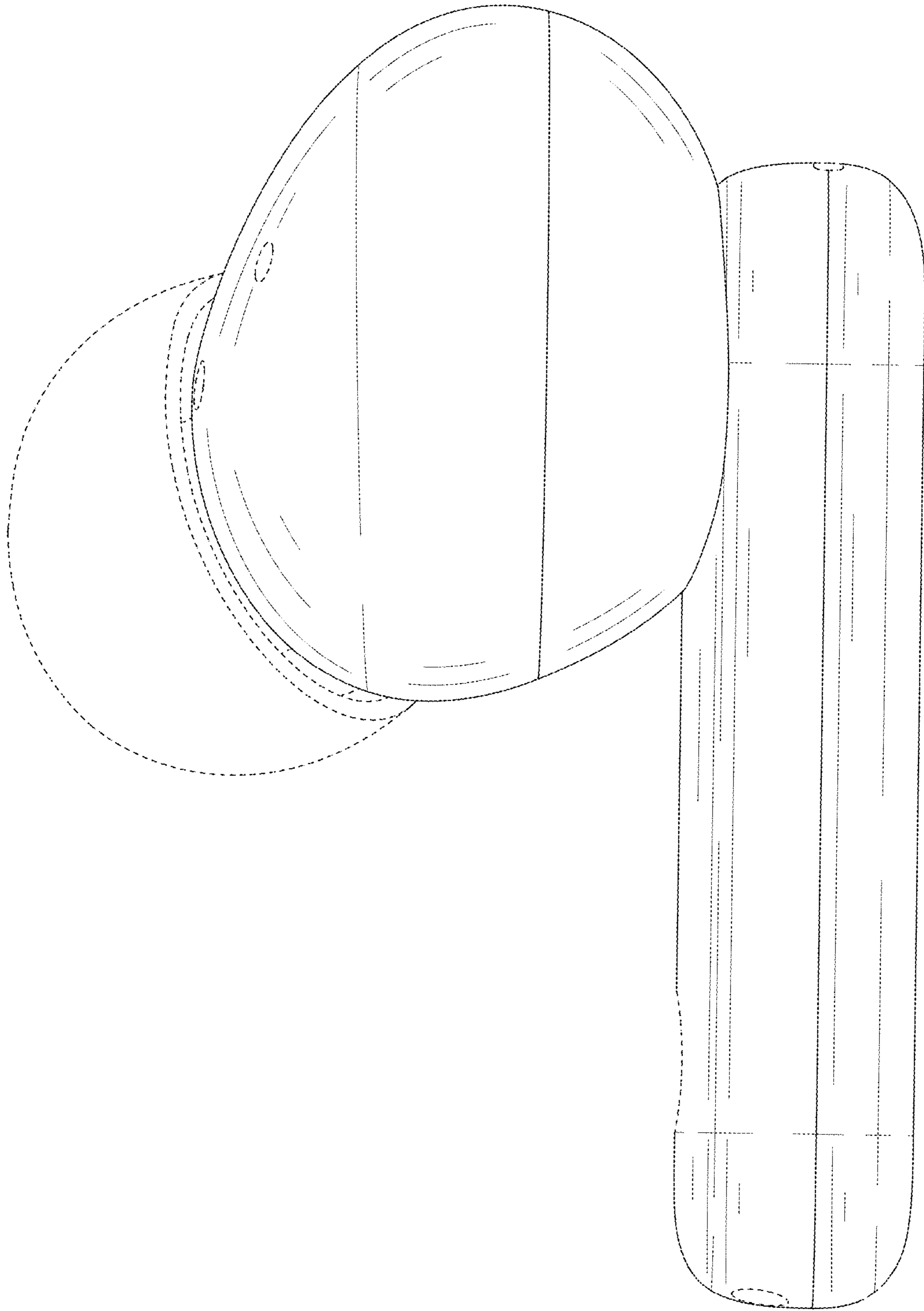


FIG.6



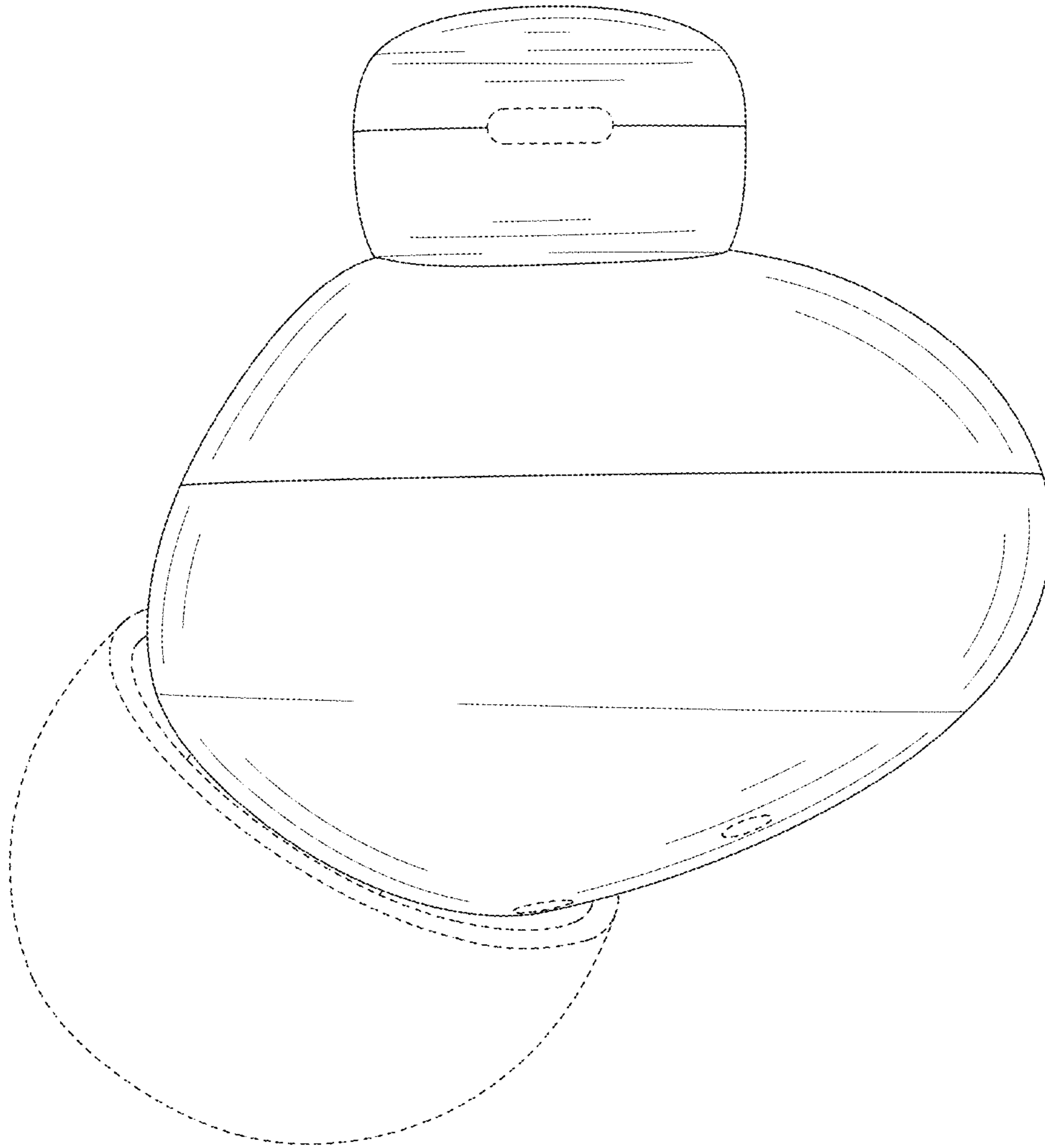


FIG.7

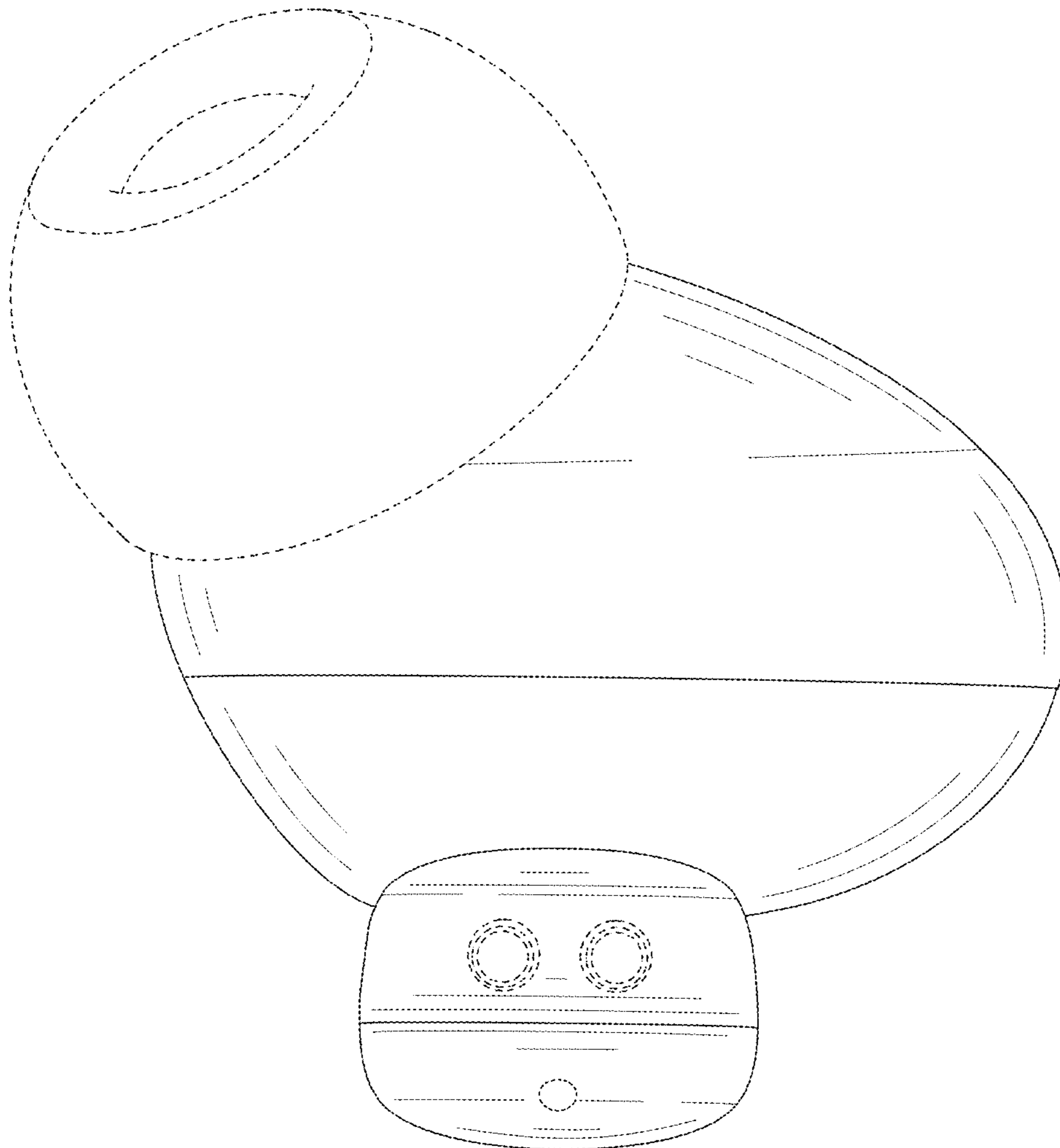


FIG.8