



US00D983170S

(12) **United States Design Patent**
Lin

(10) **Patent No.:** **US D983,170 S**

(45) **Date of Patent:** **** Apr. 11, 2023**

(54) **ALIGNMENT FRAME**

(71) Applicant: **Binglun Lin**, Guangdong (CN)

(72) Inventor: **Binglun Lin**, Guangdong (CN)

(**) Term: **15 Years**

(21) Appl. No.: **29/861,664**

(22) Filed: **Dec. 1, 2022**

(51) **LOC (14) Cl.** **14-03**

(52) **U.S. Cl.**
USPC **D14/217**

(58) **Field of Classification Search**
USPC D14/217, 224, 229, 251, 250, 252, 253,
D14/299, 432
CPC ... G06F 1/163; G06K 9/18; A45F 5/00; A45F
3/00; A45F 3/14
See application file for complete search history.

(56) **References Cited**

U.S. PATENT DOCUMENTS

D791,117 S 7/2017 Silva et al.
D860,984 S * 9/2019 Stagge D14/250
D902,179 S * 11/2020 Miller D14/217

D908,788 S * 1/2021 Leewe D14/217
D936,728 S * 11/2021 Leewe D14/217
D937,834 S * 12/2021 Hyun D14/432
D945,982 S * 3/2022 Endo D14/219

* cited by examiner

Primary Examiner — Khawaja Anwar

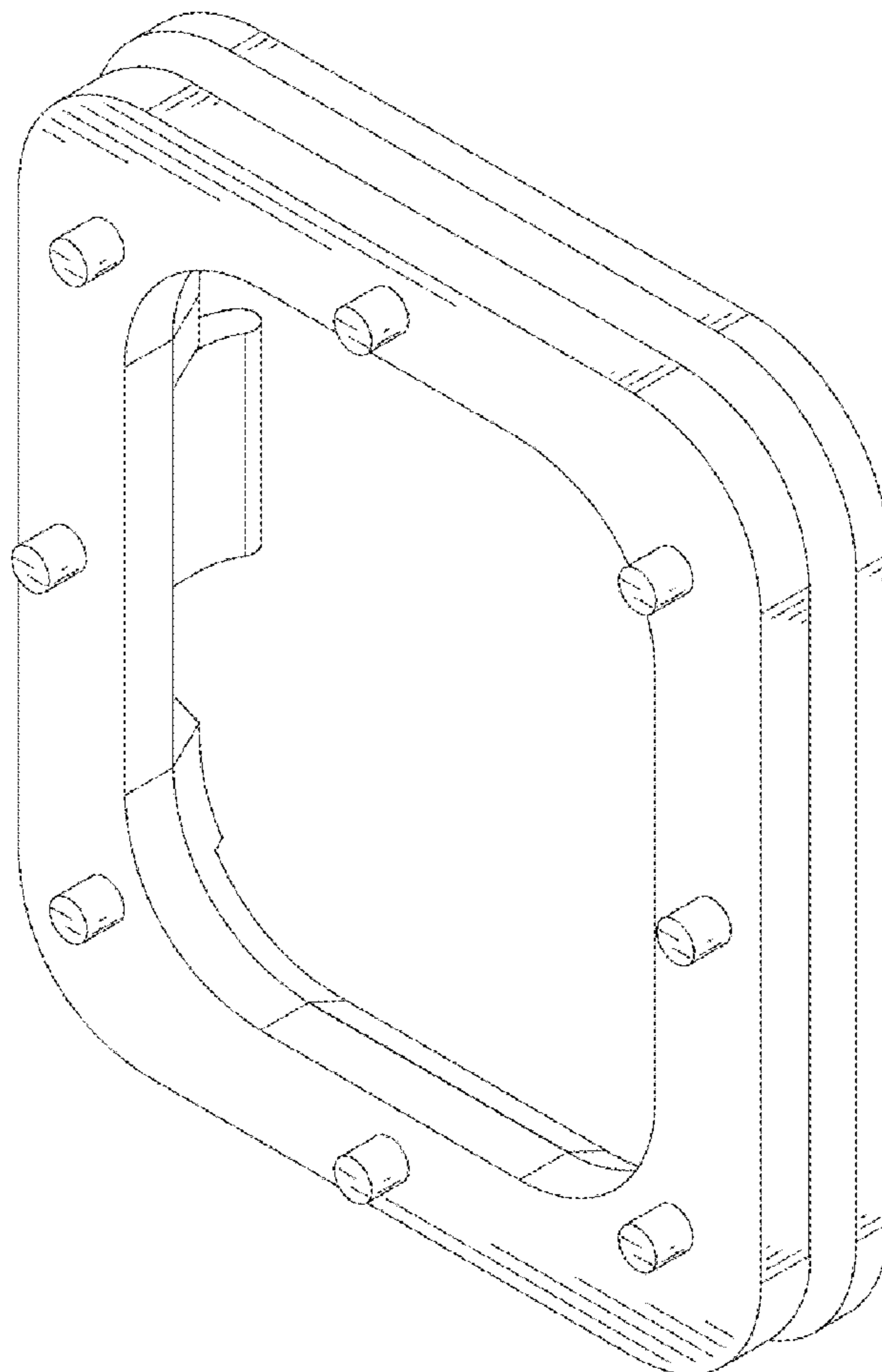
(57) **CLAIM**

The ornamental design for an alignment frame, as shown and described.

DESCRIPTION

FIG. 1 is a front, right, and top perspective view of an alignment frame, showing my new design;
FIG. 2 is a rear, right, and bottom perspective view thereof;
FIG. 3 is a front elevational view thereof;
FIG. 4 is a rear elevational view thereof;
FIG. 5 is a left elevational view thereof;
FIG. 6 is a right elevational view thereof;
FIG. 7 is a top plan view thereof;
FIG. 8 is a bottom plan view thereof; and,
FIG. 9 is an exploded perspective view thereof.
The broken lines in the drawings depict portions of the alignment frame that form no part of the claimed design.

1 Claim, 9 Drawing Sheets



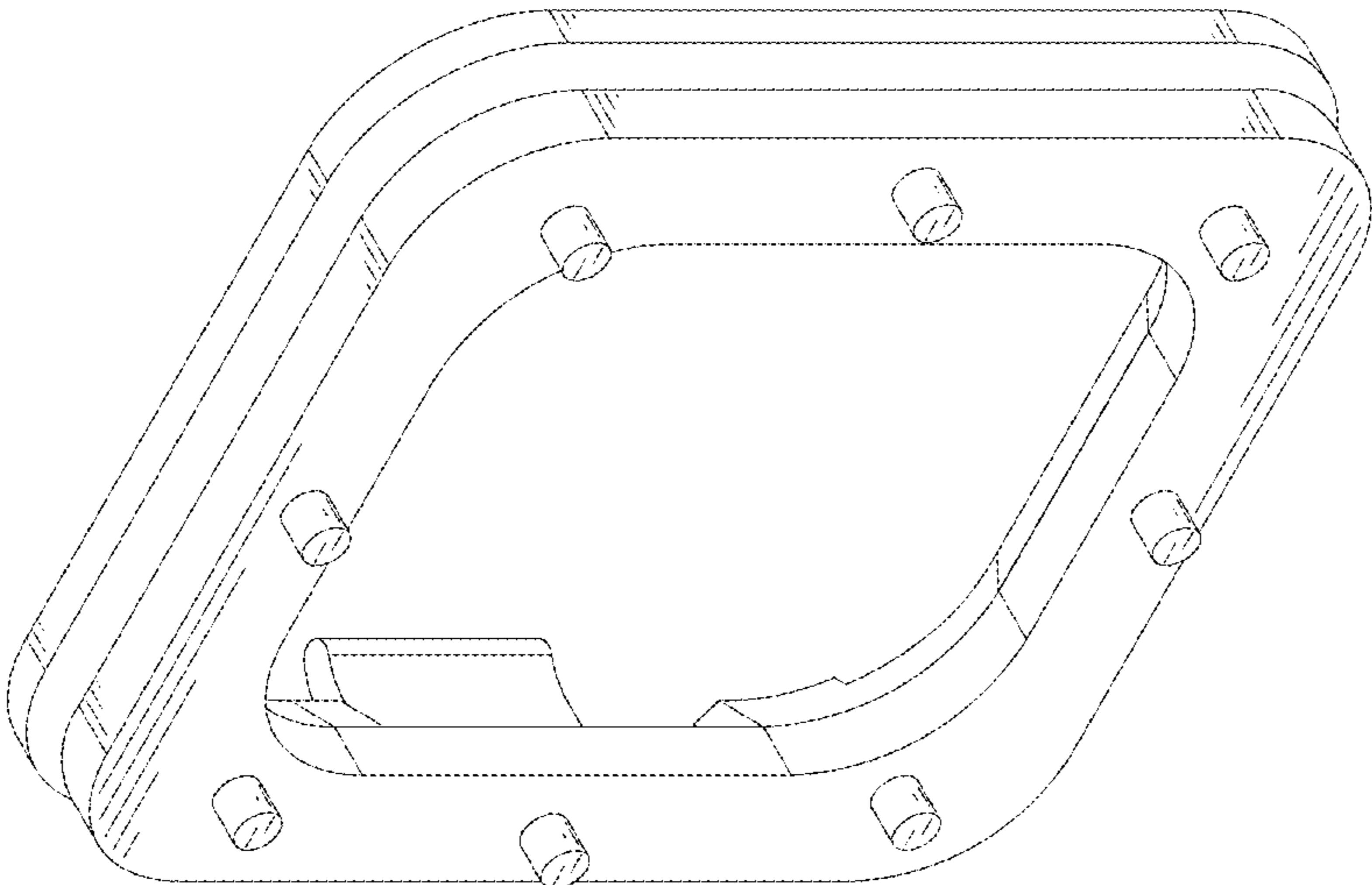


FIG.1

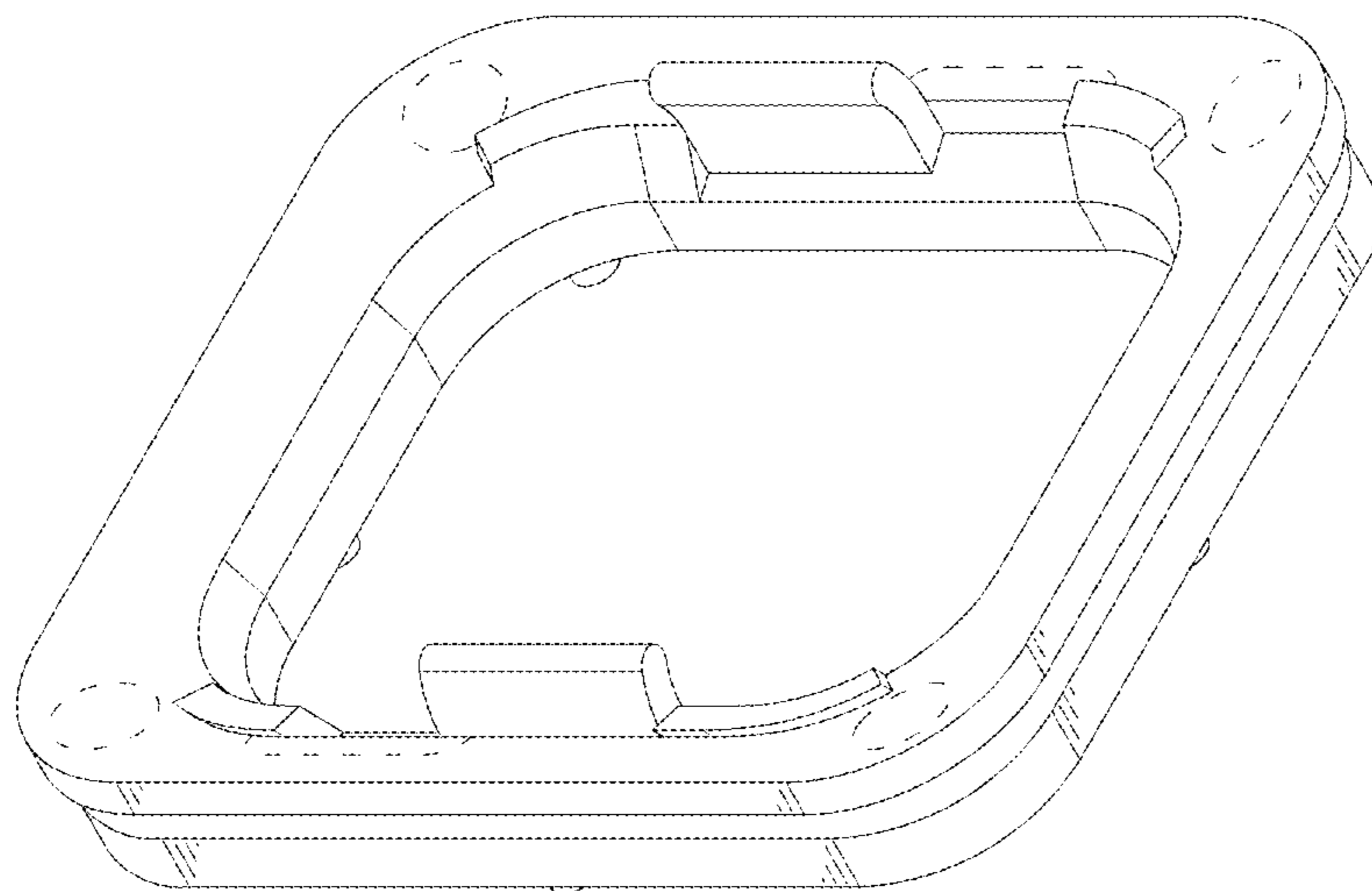


FIG.2

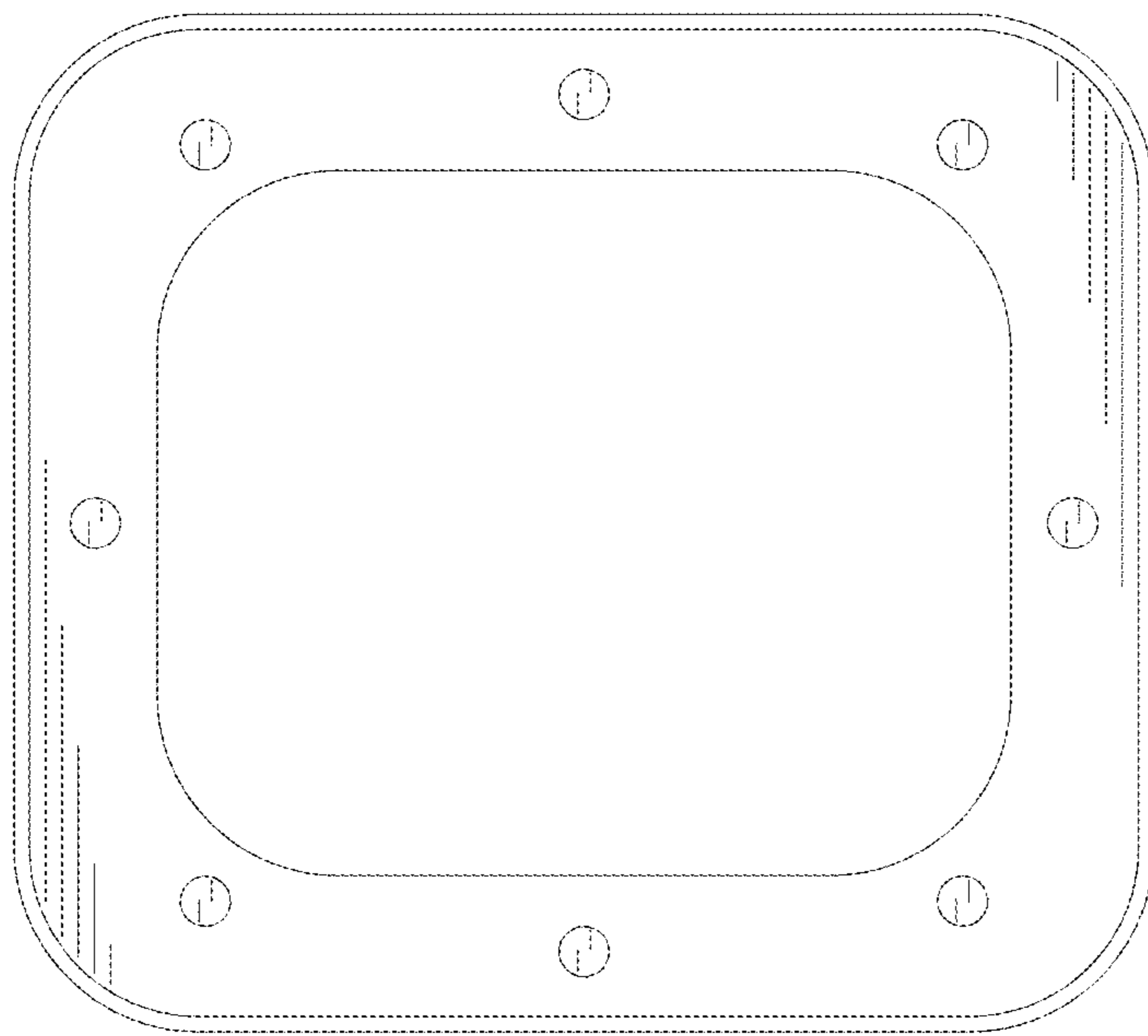


FIG. 3

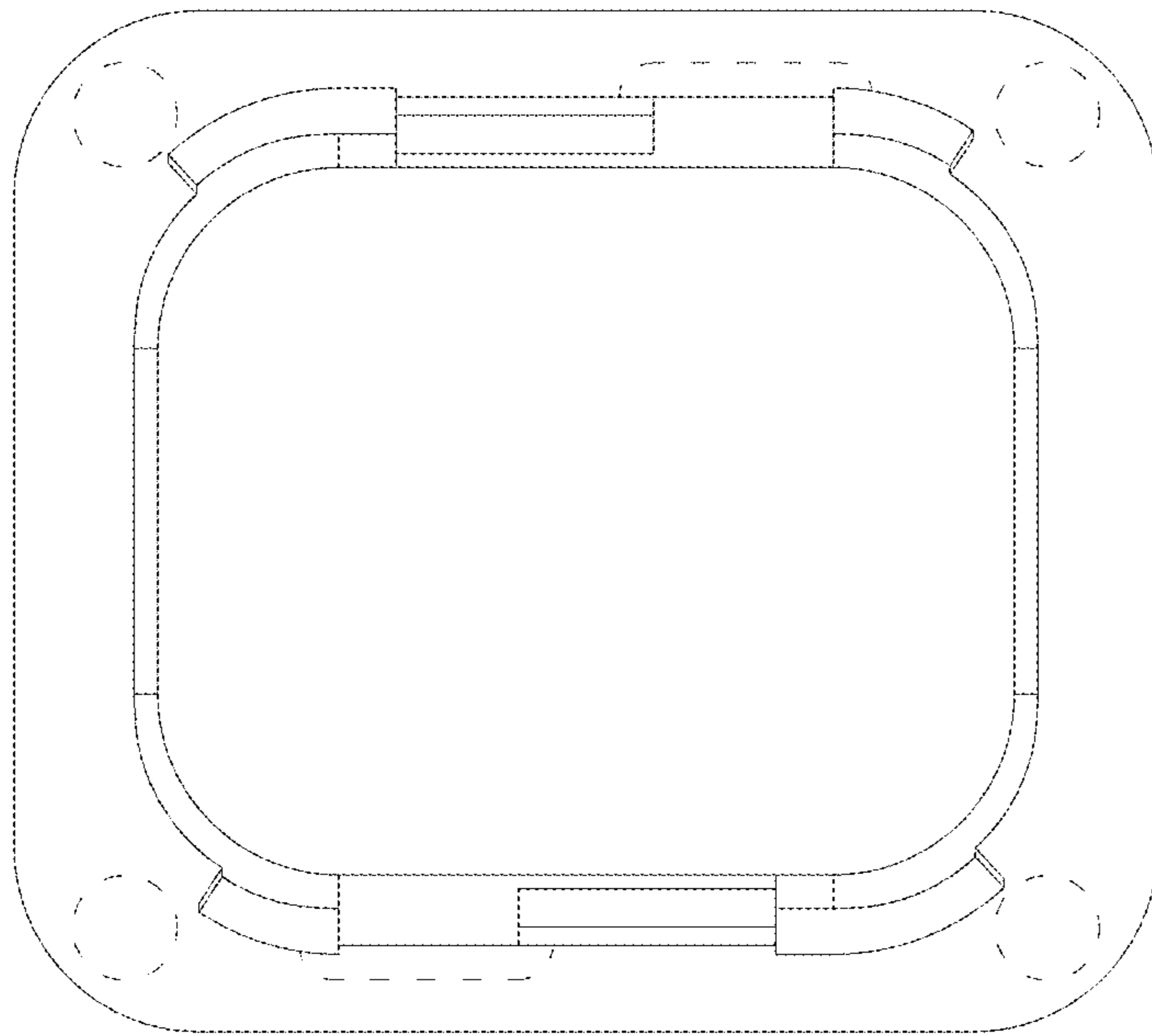


FIG.4

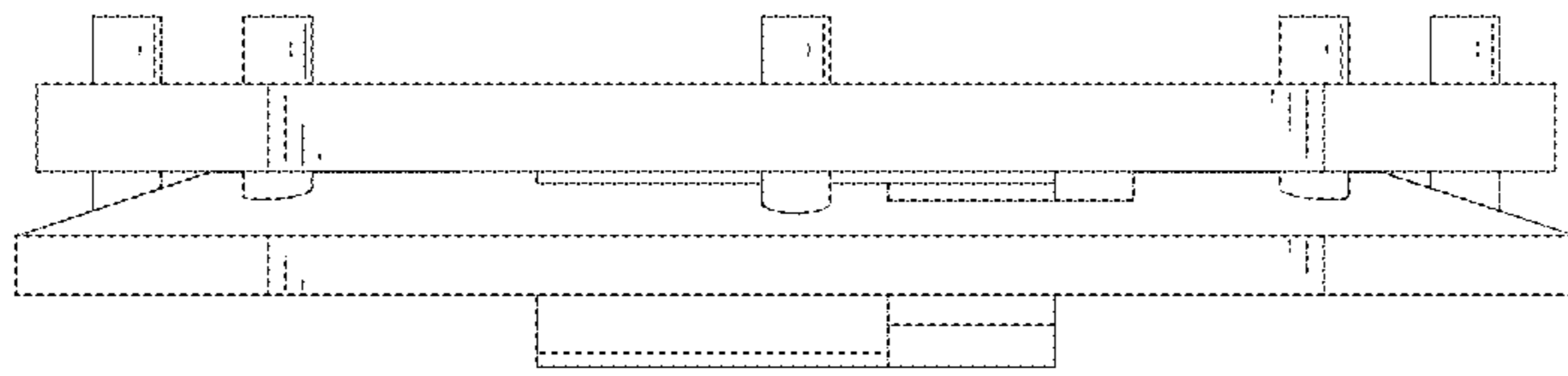


FIG. 5

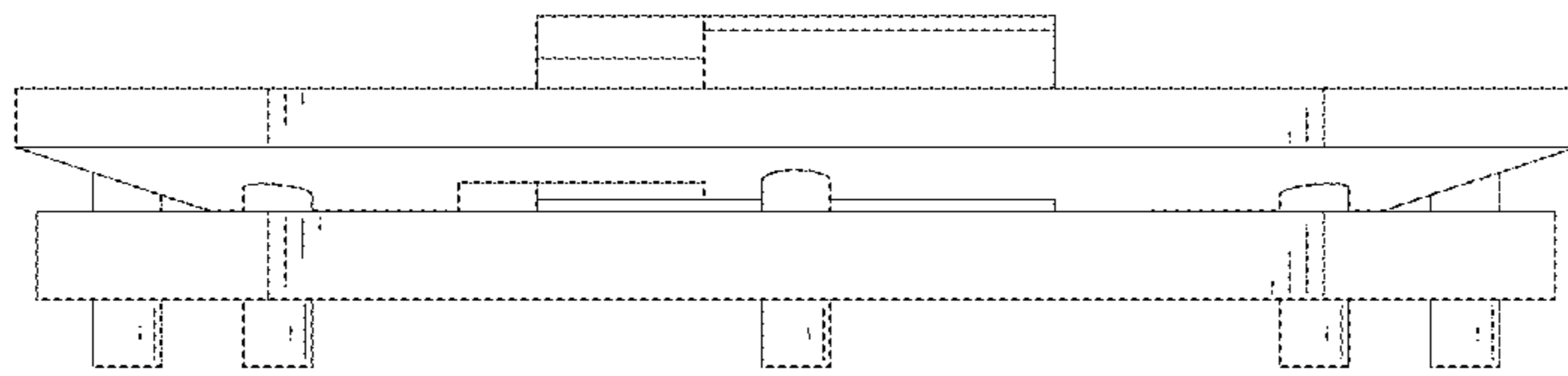


FIG. 6

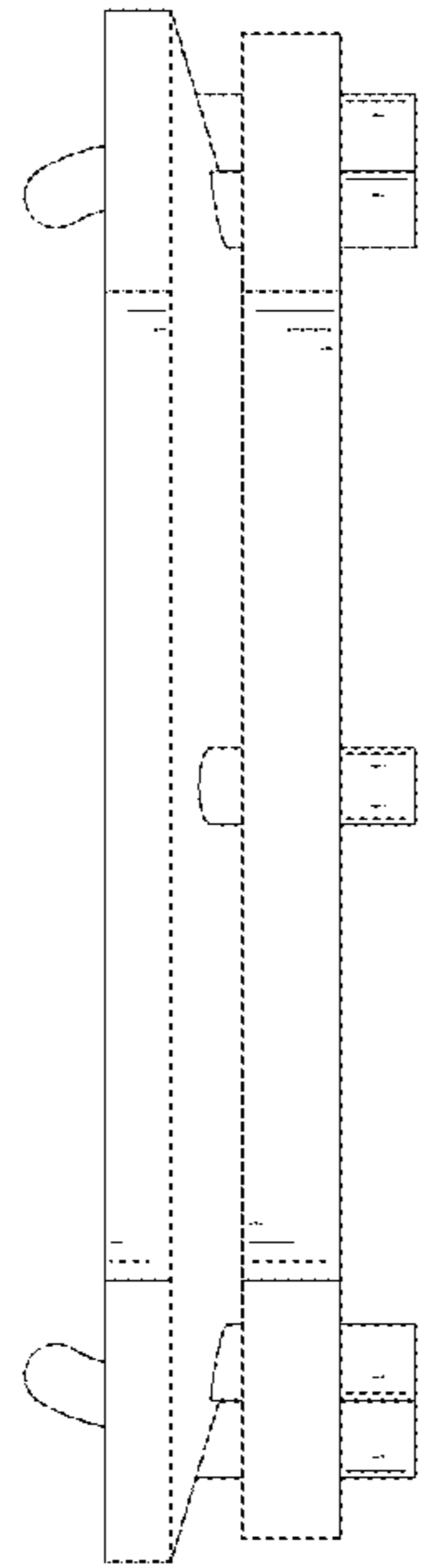


FIG. 7

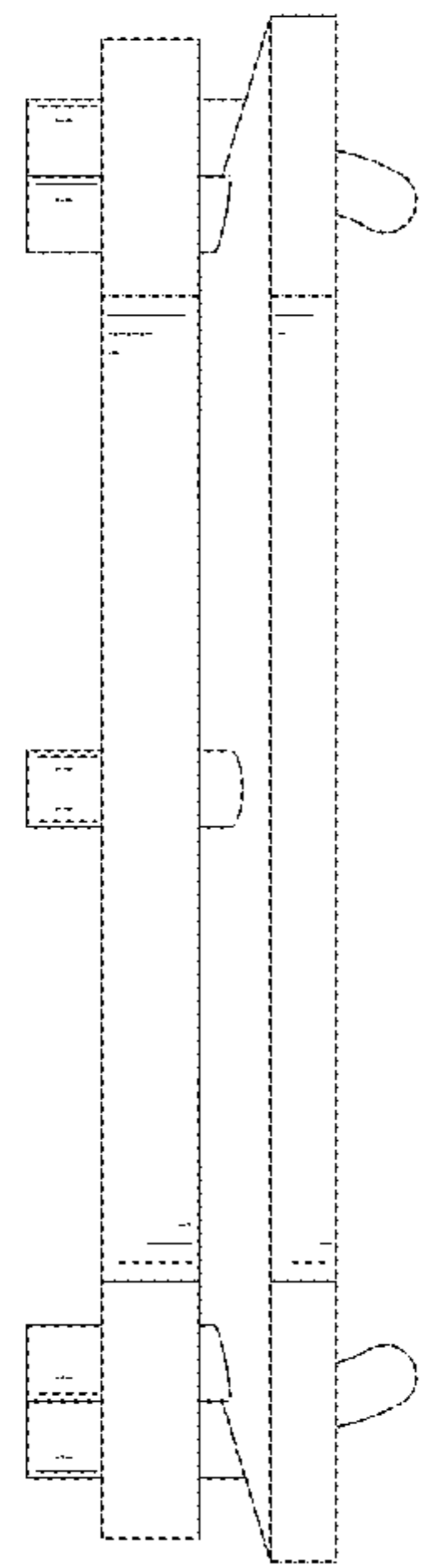


FIG. 8

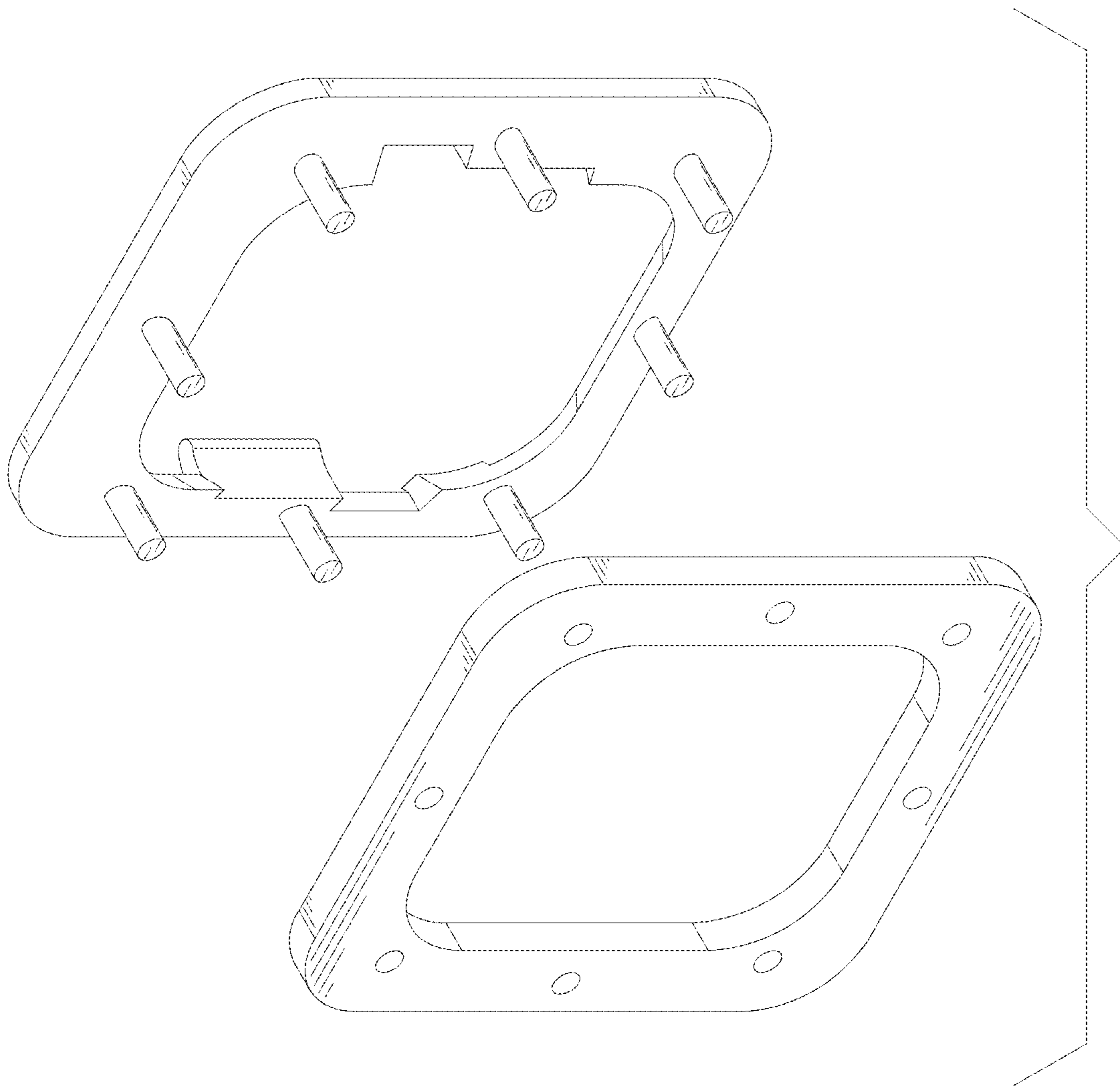


FIG. 9