



US00D983164S

(12) **United States Design Patent**  
**Zheng**

(10) **Patent No.:** **US D983,164 S**

(45) **Date of Patent:** **\*\* Apr. 11, 2023**

(54) **AUDIO HEADSET**

(71) Applicant: **YI ZHAO ( SHENZHEN ) CO., LIMITED**, Shenzhen (CN)

(72) Inventor: **Mingxun Zheng**, Yanji (CN)

(73) Assignee: **YI ZHAO ( SHENZHEN ) CO., LIMITED**, Shenzhen (CN)

(\*\*) Term: **15 Years**

(21) Appl. No.: **29/785,489**

(22) Filed: **May 26, 2021**

(30) **Foreign Application Priority Data**

Dec. 2, 2020 (EM) ..... 008306401

(51) **LOC (14) Cl.** ..... **14-01**

(52) **U.S. Cl.**  
USPC ..... **D14/206**

(58) **Field of Classification Search**

USPC ..... D14/206, 226, 205, 225, 188, 192;  
D29/112; 2/209; 381/380-381, 374,  
381/371-372

CPC ..... H04R 25/00; H04R 25/02; H04R 1/02;  
H04R 5/00; H04R 5/02; H04R 1/1066;  
H04R 1/1016; H04R 5/033; H04R  
5/0335; H04R 1/1083; H04R 1/1058;  
H04R 1/1091

See application file for complete search history.

(56) **References Cited**

**U.S. PATENT DOCUMENTS**

D274,723 S \* 7/1984 Kawachi ..... D14/212  
D666,993 S \* 9/2012 Kelley ..... D14/225  
8,369,557 B2 \* 2/2013 Kultz ..... H04R 1/1058  
381/370  
D681,004 S \* 4/2013 Kelley ..... D14/206  
D690,284 S \* 9/2013 Brennwald ..... D14/205

D699,216 S \* 2/2014 Bonahoom ..... D14/206  
D699,702 S \* 2/2014 Chen ..... D14/205  
D701,163 S \* 3/2014 Kuschmeader ..... D12/408  
D708,163 S \* 7/2014 Ishikura ..... D14/205  
D721,052 S \* 1/2015 Carr ..... D14/205  
D723,508 S \* 3/2015 Garland ..... D14/205  
D724,561 S \* 3/2015 Ko ..... D14/205  
D726,147 S \* 4/2015 Tran ..... D14/206  
9,036,849 B2 \* 5/2015 Thompson ..... H04R 1/083  
381/370  
D741,286 S \* 10/2015 Brennwald ..... D14/205  
D743,369 S \* 11/2015 Mackiewicz ..... D14/205  
D745,859 S \* 12/2015 Kiuchi ..... D14/205  
D750,043 S \* 2/2016 Birger ..... D14/206  
D763,226 S \* 8/2016 Petersén ..... D14/205

(Continued)

*Primary Examiner* — Paula Allen Greene

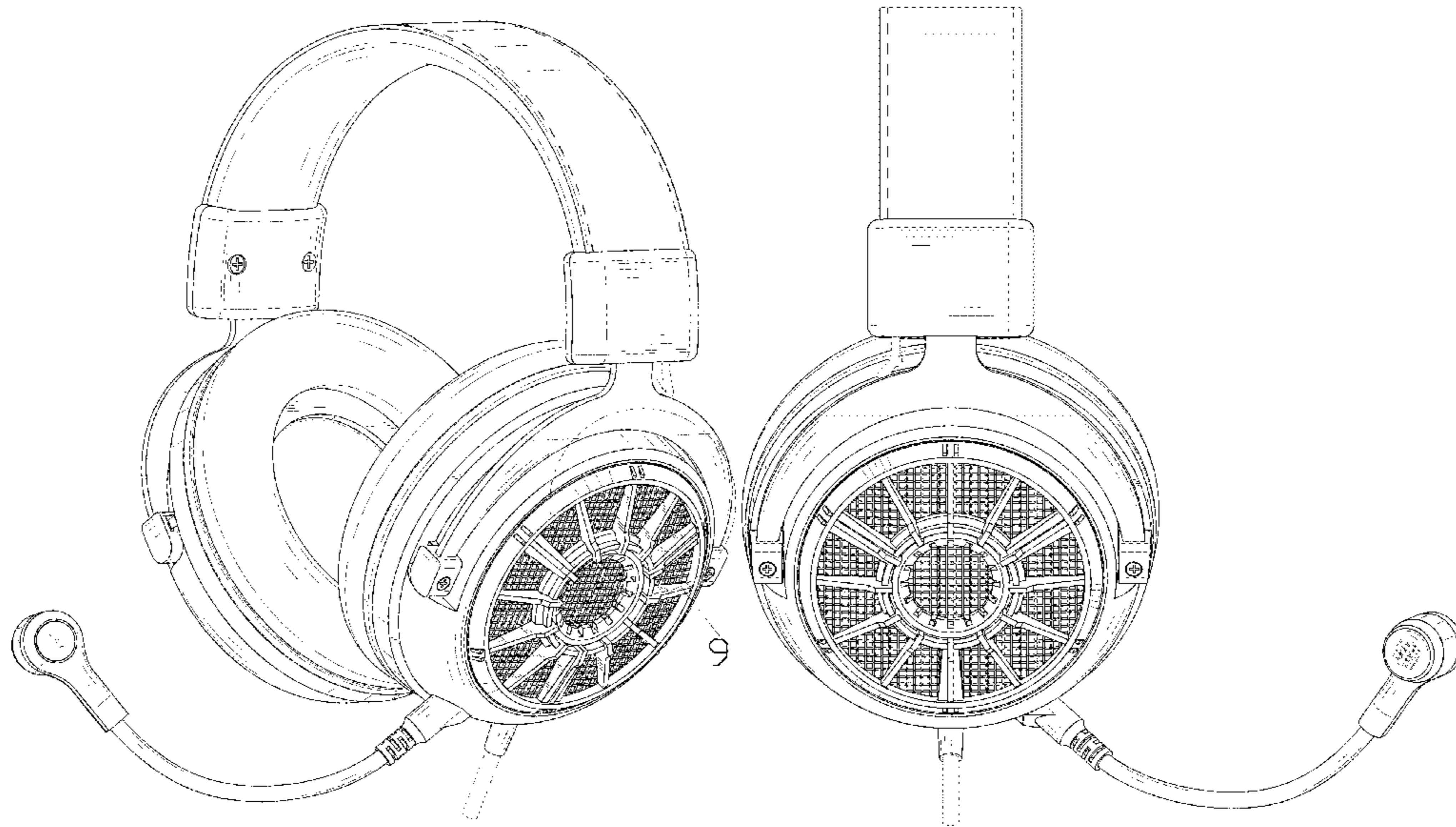
(57) **CLAIM**

The ornamental design for an audio headset, as shown and described.

**DESCRIPTION**

FIG. 1 is a perspective view of an audio headset showing my new design;  
FIG. 2 is another perspective view thereof;  
FIG. 3 is a front elevational view thereof;  
FIG. 4 is a rear elevational view thereof;  
FIG. 5 is a left side elevational view thereof;  
FIG. 6 is a right side elevational view thereof;  
FIG. 7 is a top plan view thereof;  
FIG. 8 is a bottom plan view thereof; and,  
FIG. 9 is an enlarged view of portion 9 shown in FIG. 1.  
The short thin broken lines in the drawings depict portions of the audio headset that form no part of the claimed design. The long thick evenly spaced broken lines on the audio headset headband represents stitching. The dot-dash broken lines surrounding portions of the audio headset in FIG. 1 and illustrated in the enlarged view of FIG. 9 form no part of the claimed design.

**1 Claim, 9 Drawing Sheets**



(56)

References Cited

U.S. PATENT DOCUMENTS

D769,219 S \* 10/2016 Ohmachi ..... D14/205  
 D785,593 S \* 5/2017 Nakagawa ..... D14/205  
 D787,469 S \* 5/2017 Djohar ..... D14/205  
 D787,470 S \* 5/2017 Kelly ..... D14/205  
 D788,071 S \* 5/2017 Logan ..... D14/205  
 D794,602 S \* 8/2017 Riggs ..... D14/205  
 D796,478 S \* 9/2017 Minn ..... D14/205  
 D808,359 S \* 1/2018 Meyer ..... D14/206  
 D815,614 S \* 4/2018 Tzeng ..... D14/206  
 D820,813 S \* 6/2018 Sharp ..... D14/206  
 D824,360 S \* 7/2018 Hsieh ..... D14/205  
 D824,362 S \* 7/2018 Probst ..... D14/206  
 10,080,076 B2 \* 9/2018 Karasawa ..... H04R 1/1008  
 D831,000 S \* 10/2018 Chong ..... D14/206  
 D840,977 S \* 2/2019 Pu ..... D14/206  
 D843,348 S \* 3/2019 Burgess ..... D14/206  
 D843,349 S \* 3/2019 Burgess ..... D14/206  
 D845,927 S \* 4/2019 Wang ..... D14/206  
 D851,064 S \* 6/2019 Wang ..... D14/206  
 D853,988 S \* 7/2019 Wang ..... D14/206

D868,030 S \* 11/2019 Chong ..... D14/206  
 D873,237 S \* 1/2020 Ozawa ..... D14/205  
 D951,908 S \* 5/2022 Deng ..... D14/206  
 2005/0238189 A1 \* 10/2005 Tsai ..... H04R 1/1075  
 381/370  
 2006/0104456 A1 \* 5/2006 Filo ..... A61C 17/221  
 381/124  
 2007/0177748 A1 \* 8/2007 Yang ..... H04R 1/1075  
 381/374  
 2010/0040252 A1 \* 2/2010 Thompson ..... H04R 1/083  
 381/375  
 2010/0046781 A1 \* 2/2010 Chen ..... H04R 1/1091  
 381/371  
 2011/0194721 A1 \* 8/2011 Schmidt ..... H04R 19/04  
 381/370  
 2012/0328146 A1 \* 12/2012 Tsuruta ..... G10K 9/22  
 381/389  
 2014/0268508 A1 \* 9/2014 Czarnecki ..... H04R 5/0335  
 361/679.01  
 2016/0330542 A1 \* 11/2016 Hsiao ..... H04R 1/2807  
 2017/0064436 A1 \* 3/2017 Tamura ..... H04R 1/1066

\* cited by examiner

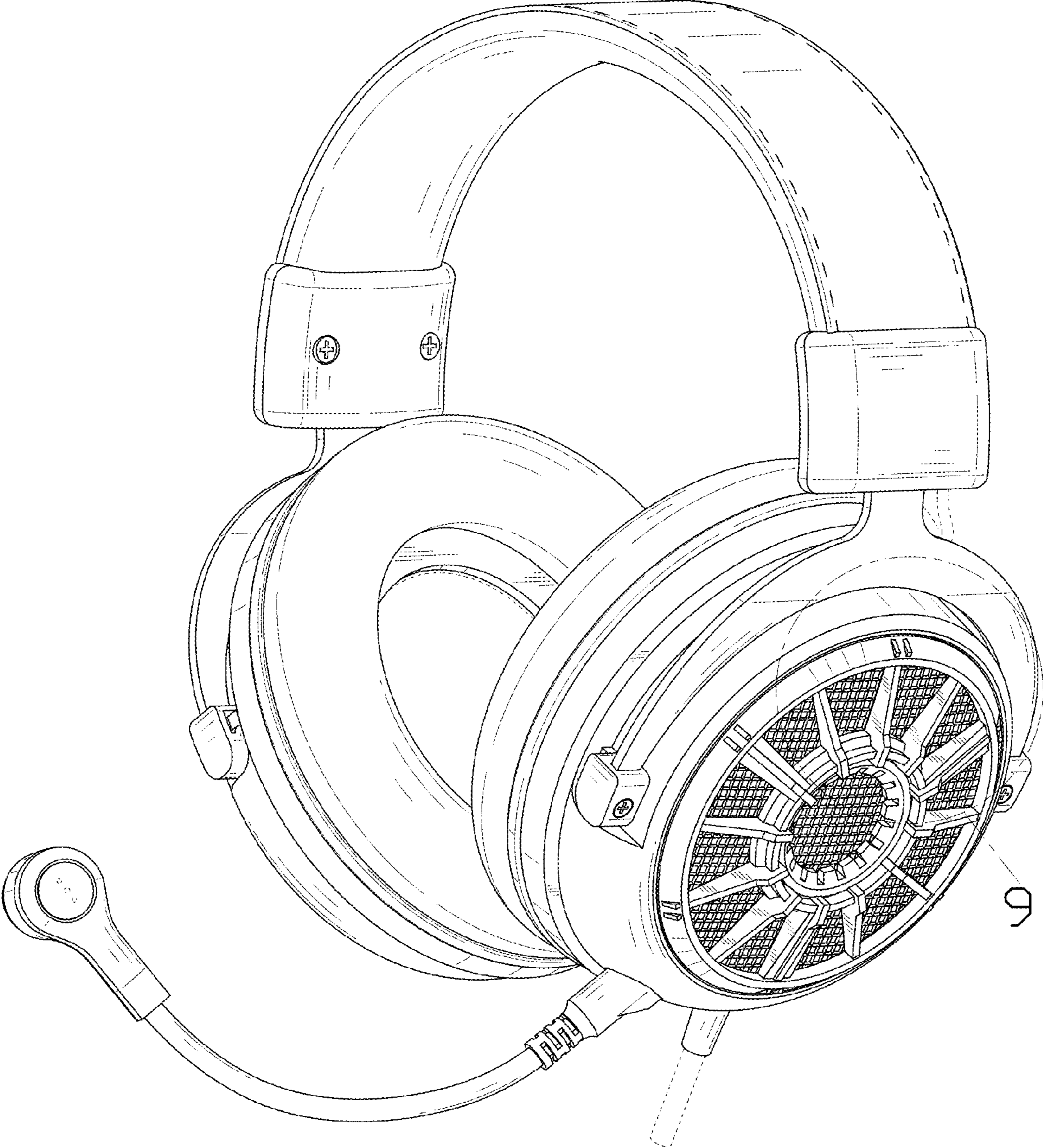


FIG. 1

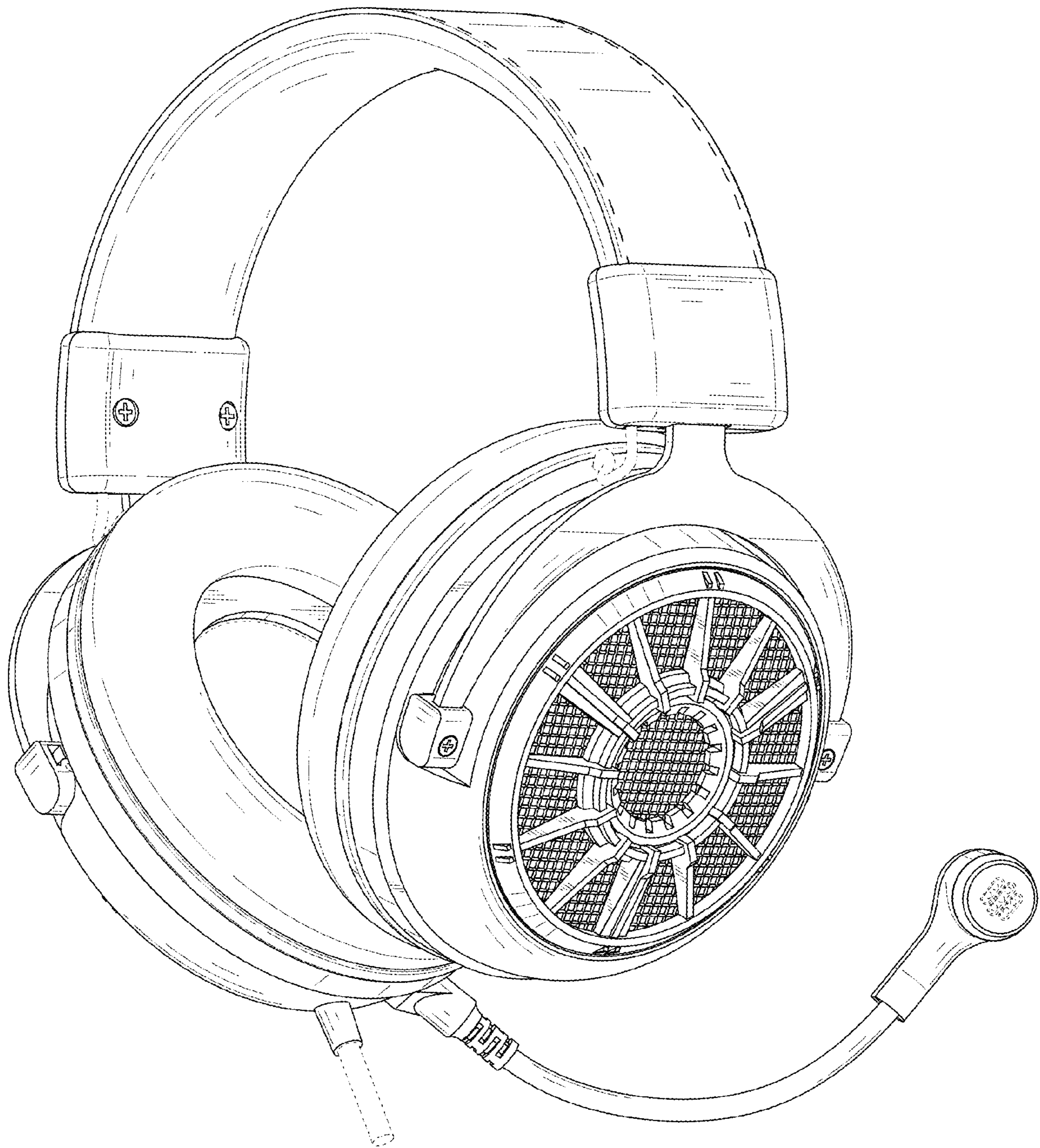


FIG. 2



FIG. 3



FIG. 4



FIG. 5

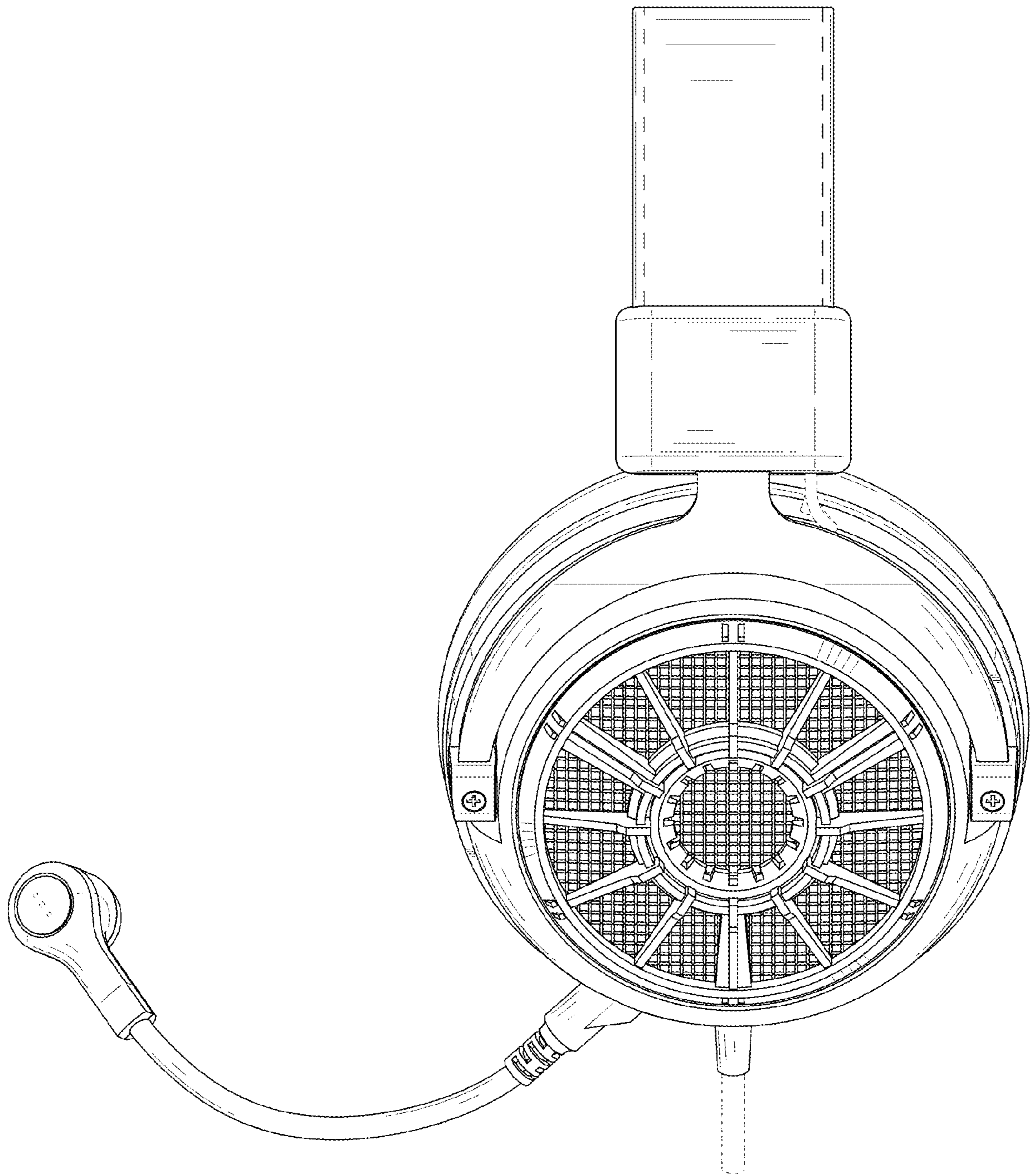


FIG. 6



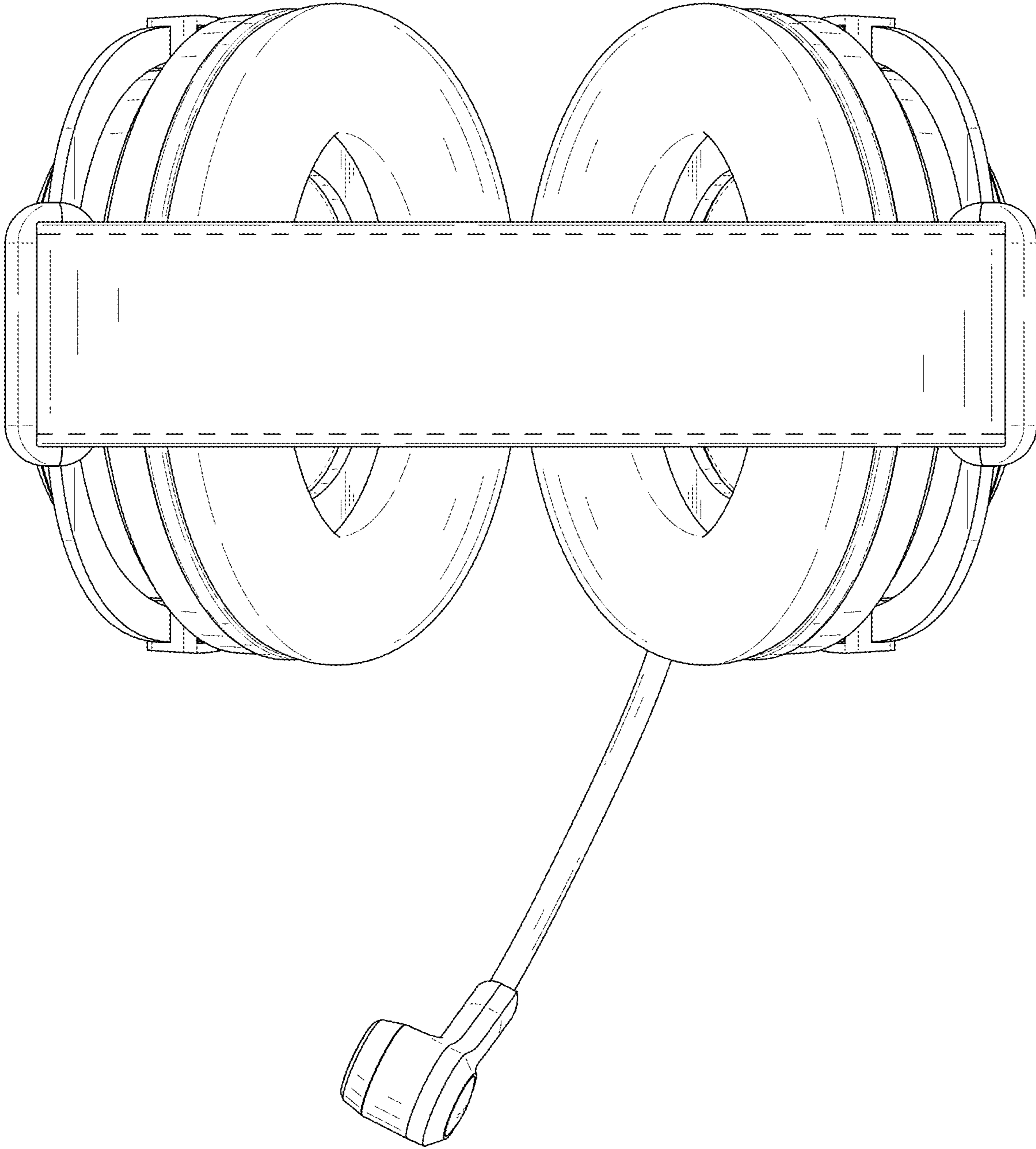


FIG. 7

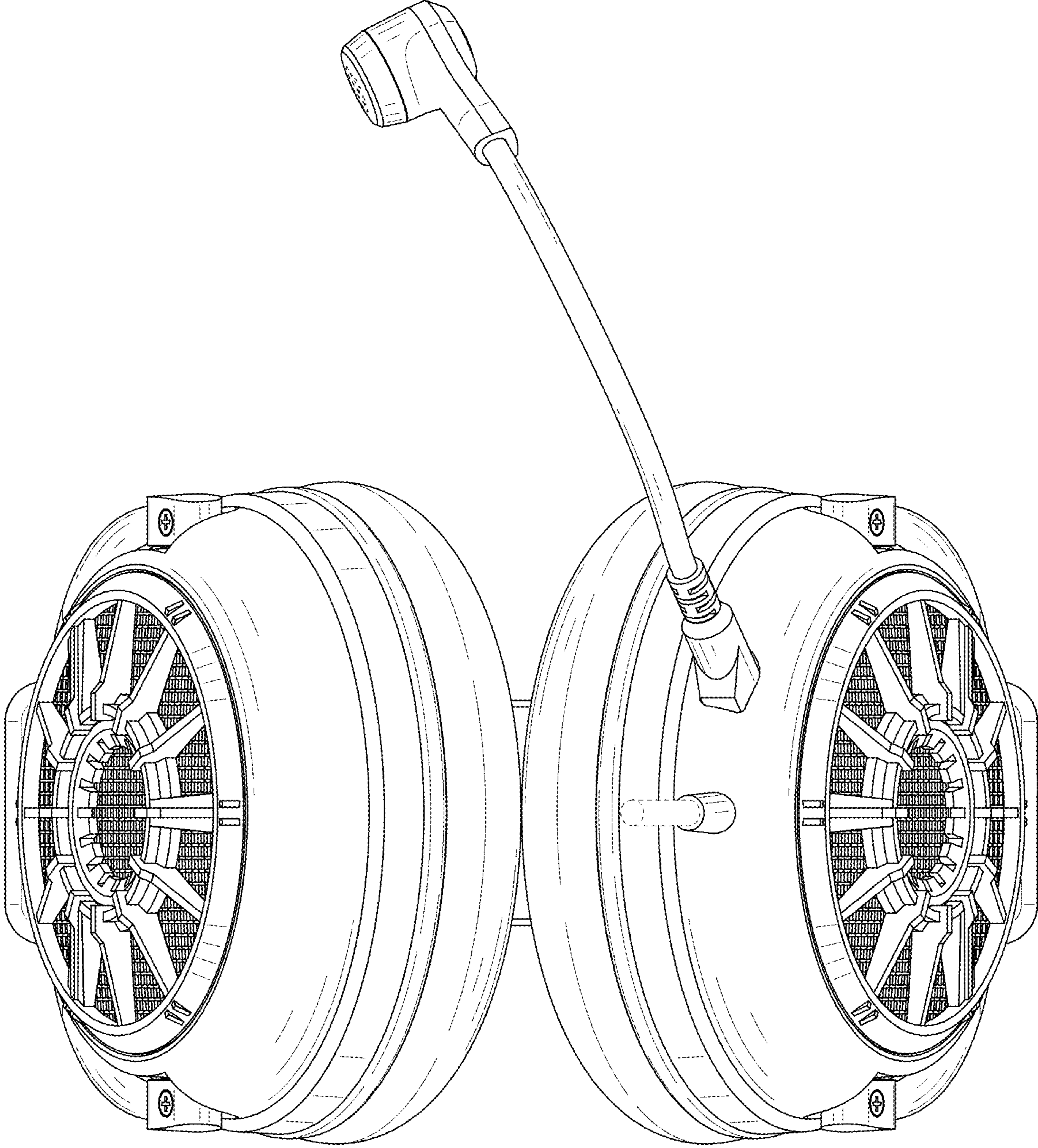


FIG. 8

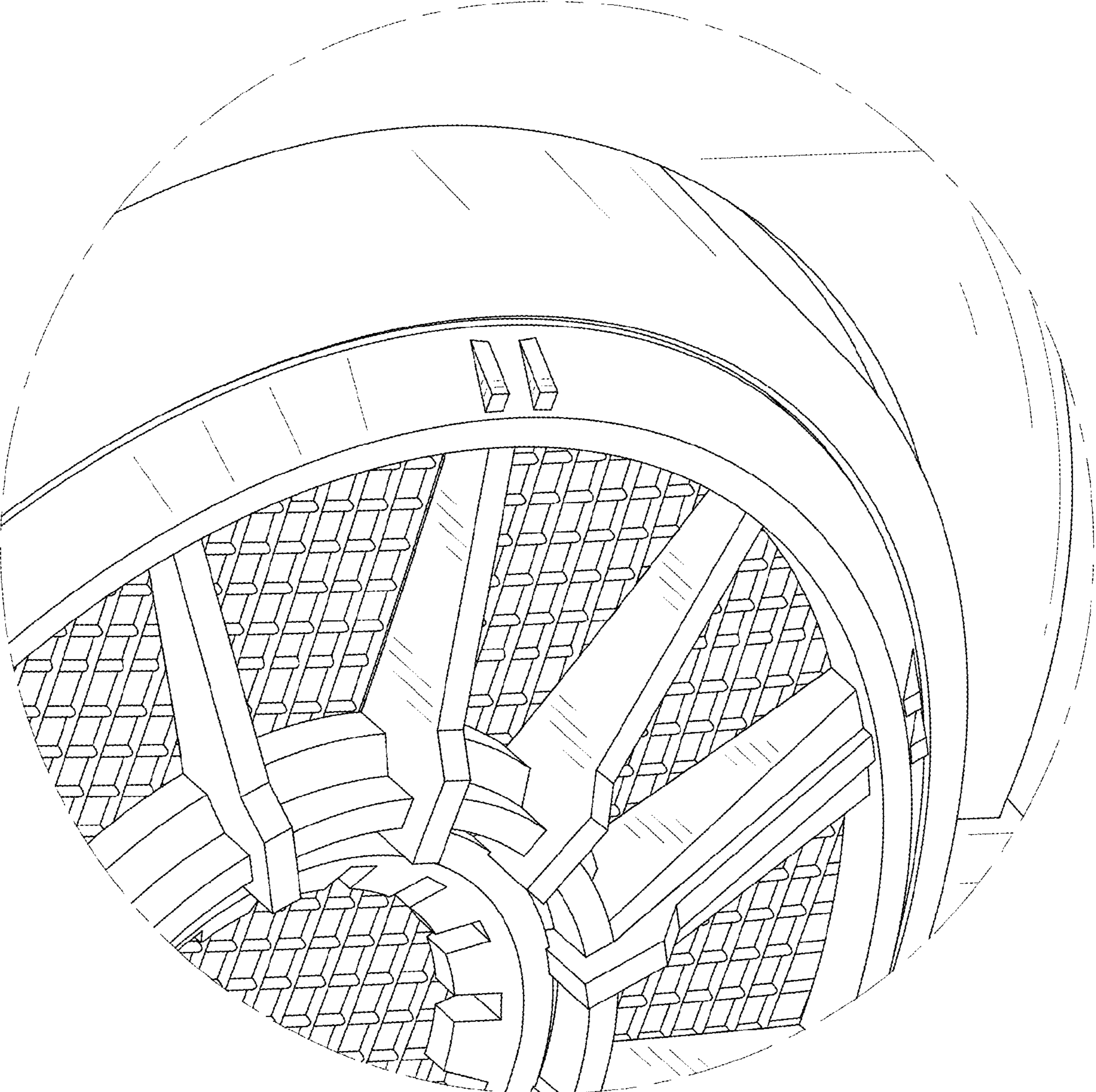


FIG. 9