



US00D983163S

(12) **United States Design Patent**
Olafsson

(10) **Patent No.:** **US D983,163 S**
(45) **Date of Patent:** **** Apr. 11, 2023**

(54) **HEADPHONES**

(71) Applicant: **Onanoff Limited**, Kowloon Bay (HK)

(72) Inventor: **Petur Hannes Olafsson**, Kowloon Bay (HK)

(73) Assignee: **Onanoff Limited**, Kowloon Bay (HK)

(**) Term: **15 Years**

(21) Appl. No.: **29/773,507**

(22) Filed: **Mar. 10, 2021**

(51) **LOC (14) Cl.** **14-01**

(52) **U.S. Cl.**
USPC **D14/206**

(58) **Field of Classification Search**
USPC D14/206, 205, 216, 215; D29/112;
2/209; 381/380-381, 370, 371, 374, 386,
381/396
CPC H04R 25/00; H04R 25/02; H04R 1/1066;
H04R 1/1016; H04R 5/033; H04R
5/0335; H04R 1/1008; H04R 1/105;
H04R 1/1041; H04R 1/1091
See application file for complete search history.

(56) **References Cited**

U.S. PATENT DOCUMENTS

1,747,778	A *	2/1930	Kuchenmeister	H04R 1/10 381/370
2,141,423	A *	12/1938	Tolerton	H04R 1/025 381/396
2,537,253	A *	1/1951	Andersen	H04R 9/10 381/370
5,018,599	A *	5/1991	Dohi	H04R 1/1008 181/129
6,067,364	A *	5/2000	Brinkley	H04R 3/14 381/396
7,072,483	B2 *	7/2006	Lenhard-Backhaus	H04R 1/1066 381/370

D534,155	S *	12/2006	Obata	D14/205
D593,995	S *	6/2009	Shimizu	D14/205
D625,705	S *	10/2010	Ohuri	D14/223
D634,298	S *	3/2011	Shimizu	D14/205
D663,716	S *	7/2012	Hardi	D14/205
D673,136	S *	12/2012	Kelly	D14/205
D683,329	S *	5/2013	Hagelin	D14/205
D733,090	S *	6/2015	Petersen	D14/205
D763,226	S *	8/2016	Petersén	D14/205
D765,056	S *	8/2016	Yang	D14/205
9,510,079	B1 *	11/2016	Pastorino	H04R 1/1066
D786,824	S *	5/2017	Hembrey	D14/205
D807,323	S *	1/2018	Wang	D14/205
10,178,463	B2 *	1/2019	Smiechowski	H04R 1/105
D843,345	S *	3/2019	Brunner	D14/205

(Continued)

FOREIGN PATENT DOCUMENTS

EM	008465173-0001	*	3/2021
EM	008465173-0002	*	3/2021

(Continued)

Primary Examiner — Paula Allen Greene
(74) *Attorney, Agent, or Firm* — David Postolski;
Gearhart Law LLC

(57) **CLAIM**

I claim the ornamental design for headphones, as shown and described.

DESCRIPTION

FIG. 1 is a front perspective view of headphones showing the new design;
FIG. 2 is a rear perspective view thereof;
FIG. 3 is a front elevational view thereof;
FIG. 4 is a rear elevational view thereof;
FIG. 5 is a left elevational view thereof;
FIG. 6 is a right elevational view thereof;
FIG. 7 is a top view thereof; and,
FIG. 8 is a bottom plan view thereof.

1 Claim, 8 Drawing Sheets

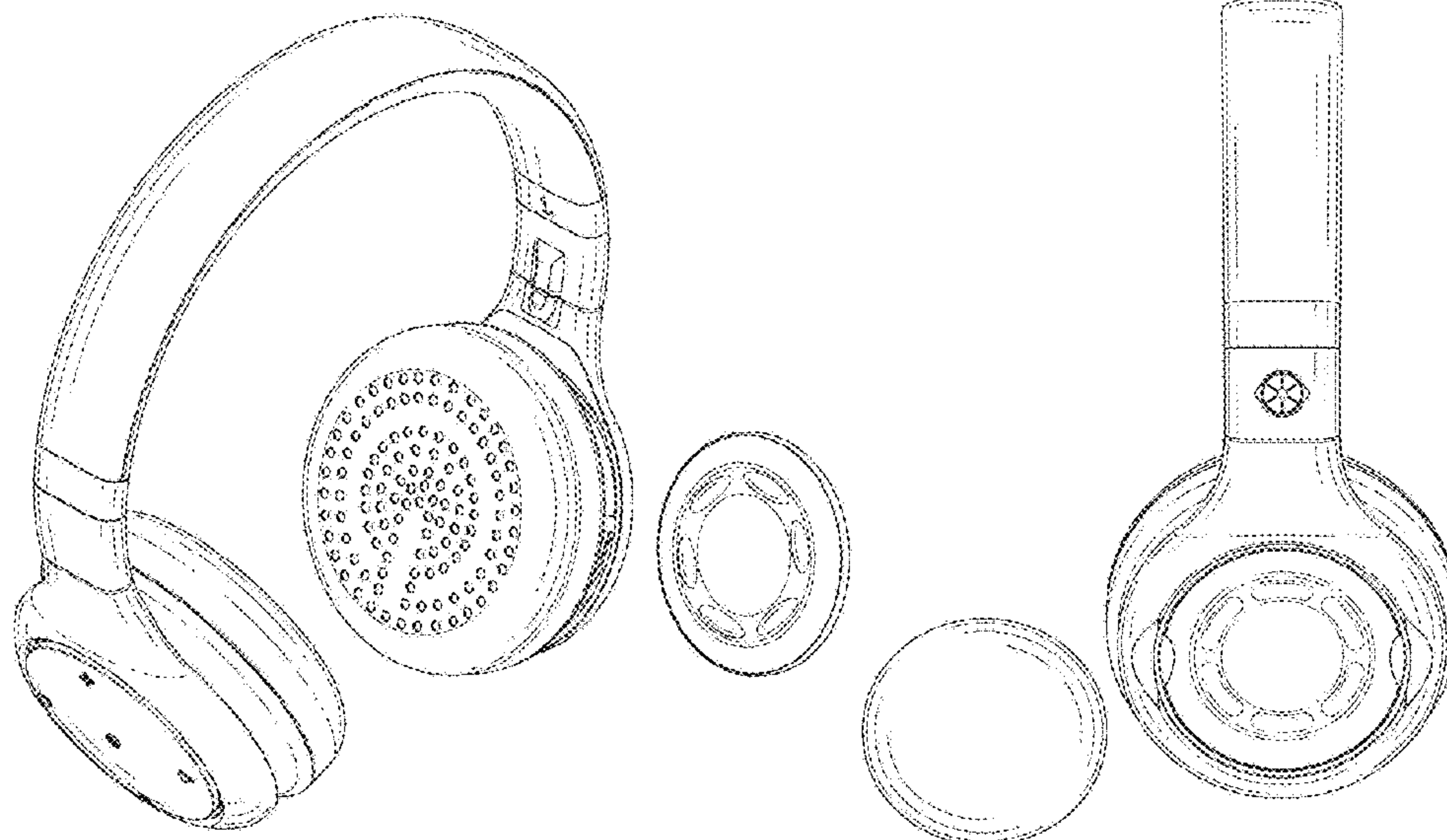




FIG. 1



FIG. 2



FIG.3



FIG. 4

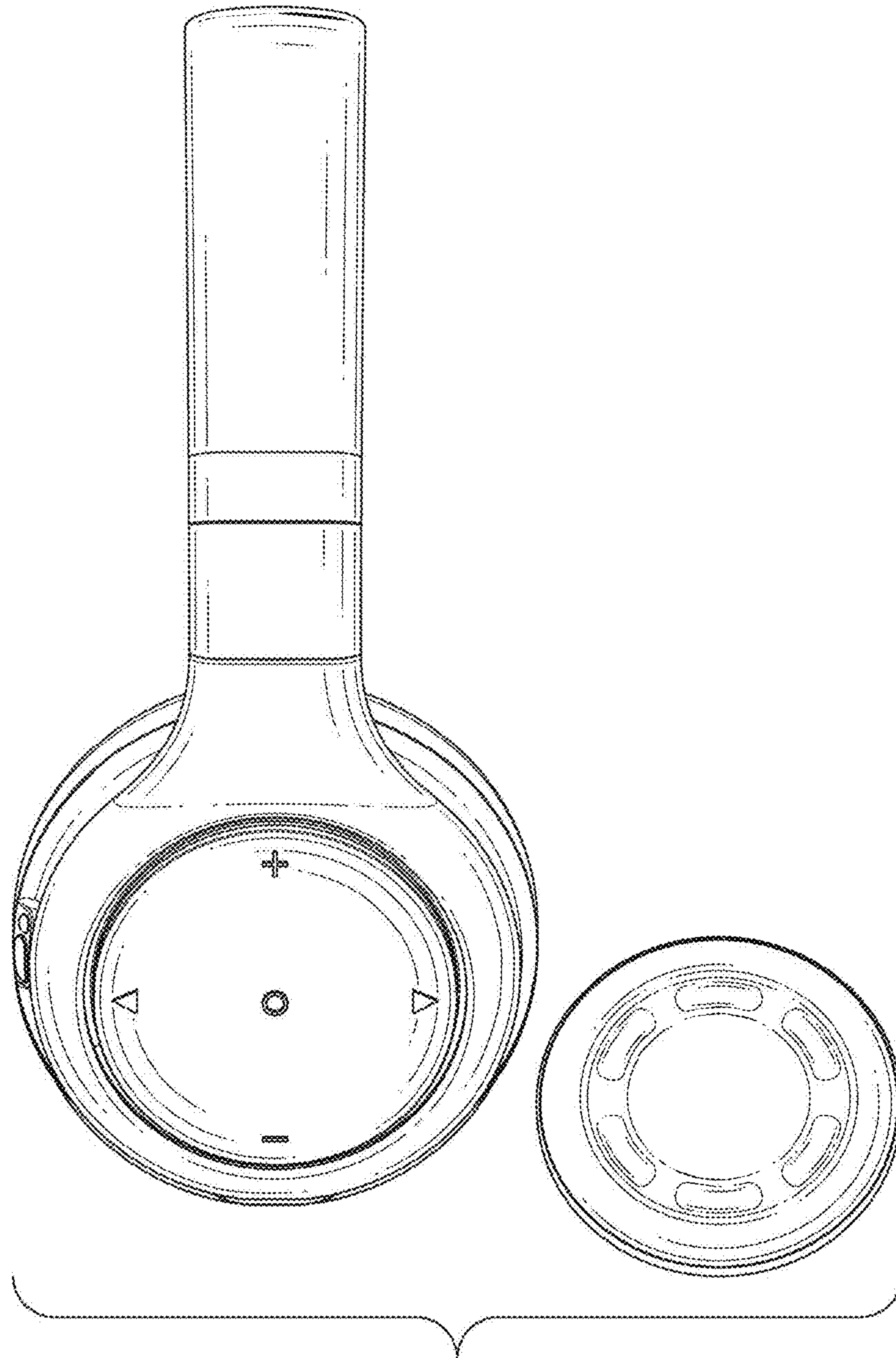


FIG. 5

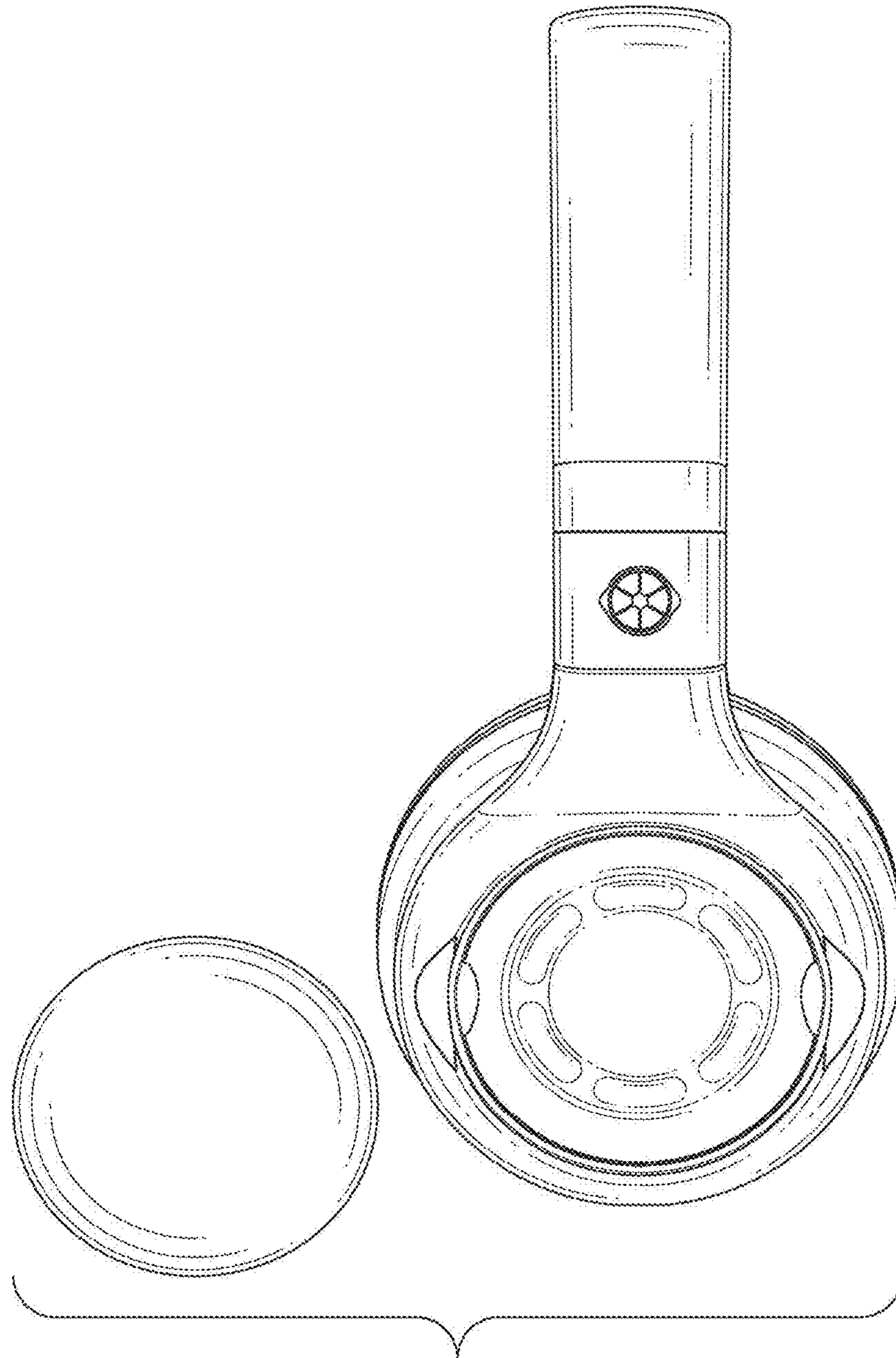


FIG. 6

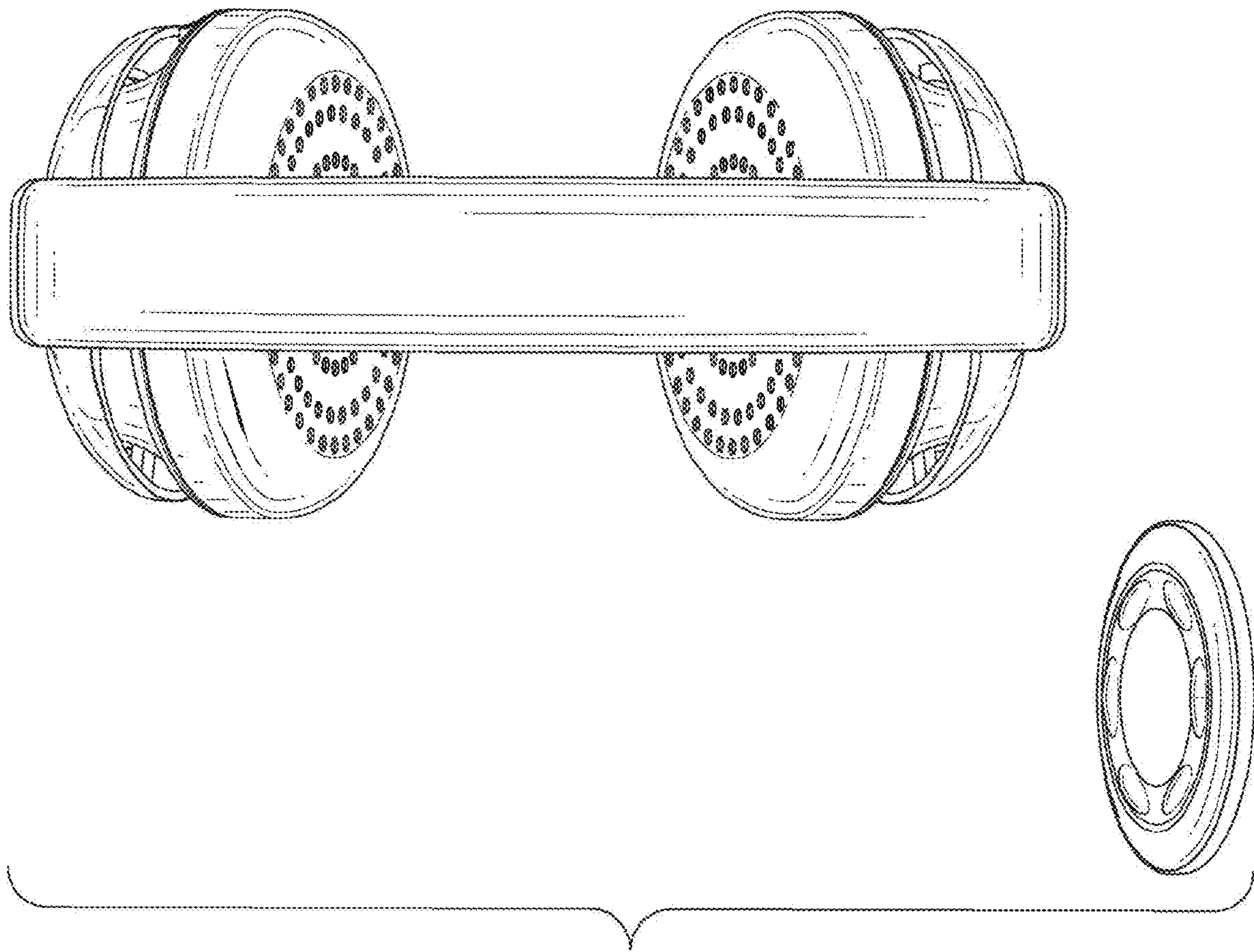


FIG. 7

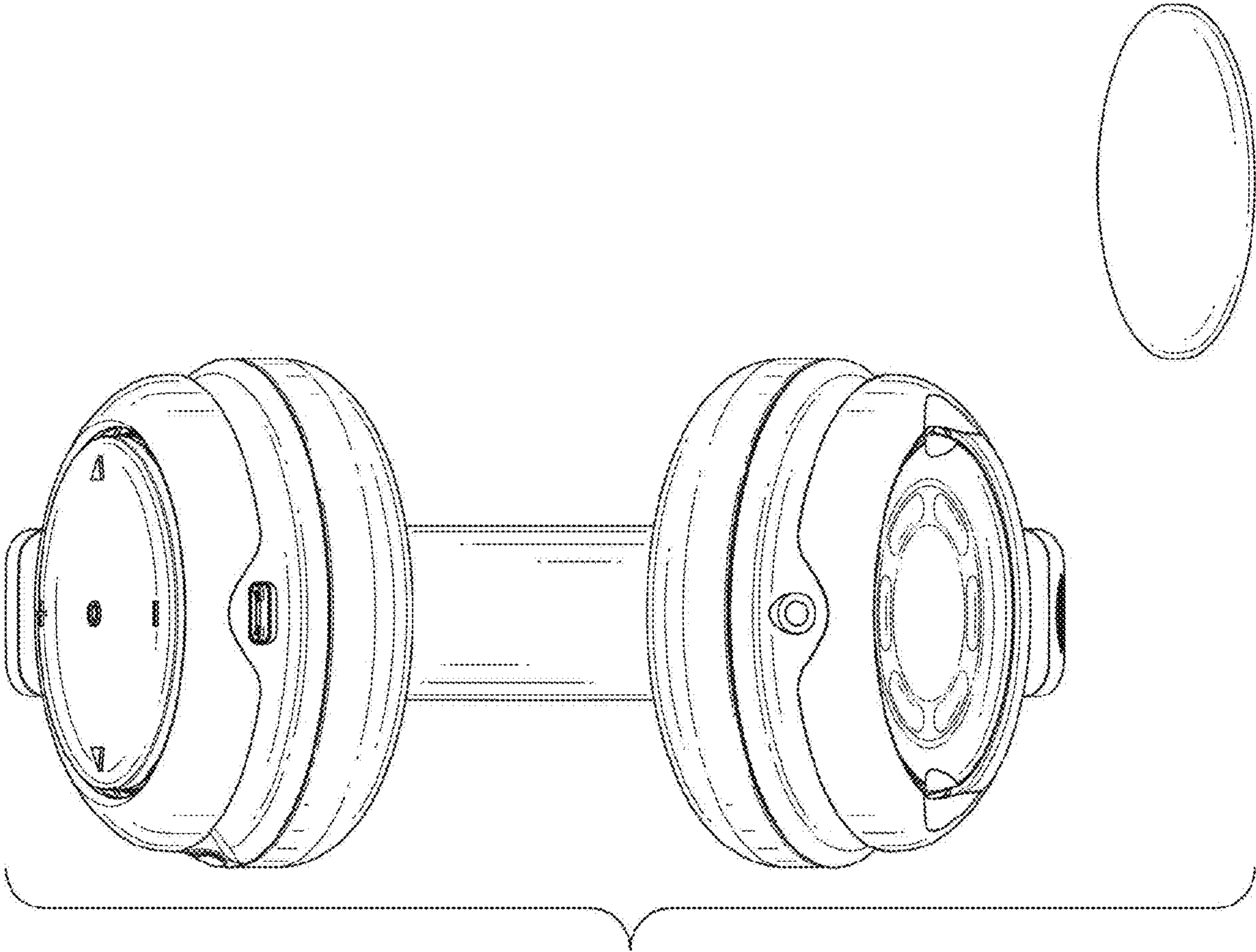


FIG. 8