



US00D983162S

(12) **United States Design Patent**
Chen

(10) **Patent No.:** **US D983,162 S**

(45) **Date of Patent:** **** Apr. 11, 2023**

(54) **HEADPHONES**

(71) Applicant: **Libin Chen**, Ganzhou (CN)

(72) Inventor: **Libin Chen**, Ganzhou (CN)

(**) Term: **15 Years**

(21) Appl. No.: **29/795,836**

(22) Filed: **Jun. 21, 2021**

(51) **LOC (14) Cl.** **14-01**

(52) **U.S. Cl.**
USPC **D14/205**

(58) **Field of Classification Search**
USPC D14/372, 205, 188, 192, 206; D29/112;
2/209; 381/380-381, 378-379; 455/90.3,
455/575.1, 569.1
CPC H04R 25/00; H04R 25/02; H04R 1/10;
H04R 1/1066; H04R 1/1016; H04R
5/033; H04R 5/0335; H04R 1/1091
See application file for complete search history.

(56) **References Cited**

U.S. PATENT DOCUMENTS

5,369,857 A * 12/1994 Sacherman H04R 5/0335
379/430
D404,035 S * 1/1999 Delazzer D14/206

D494,957 S * 8/2004 Rath D14/206
D540,303 S * 4/2007 Rausch D14/205
D654,472 S * 2/2012 Fischer D14/206
D663,717 S * 7/2012 Hutchieson D14/206
D830,339 S * 10/2018 Yan D14/206
D866,513 S * 11/2019 Lindof D14/206
D962,893 S * 9/2022 Fan D14/206

* cited by examiner

Primary Examiner — Austin Murphy

(74) *Attorney, Agent, or Firm* — Sandy Lipkin

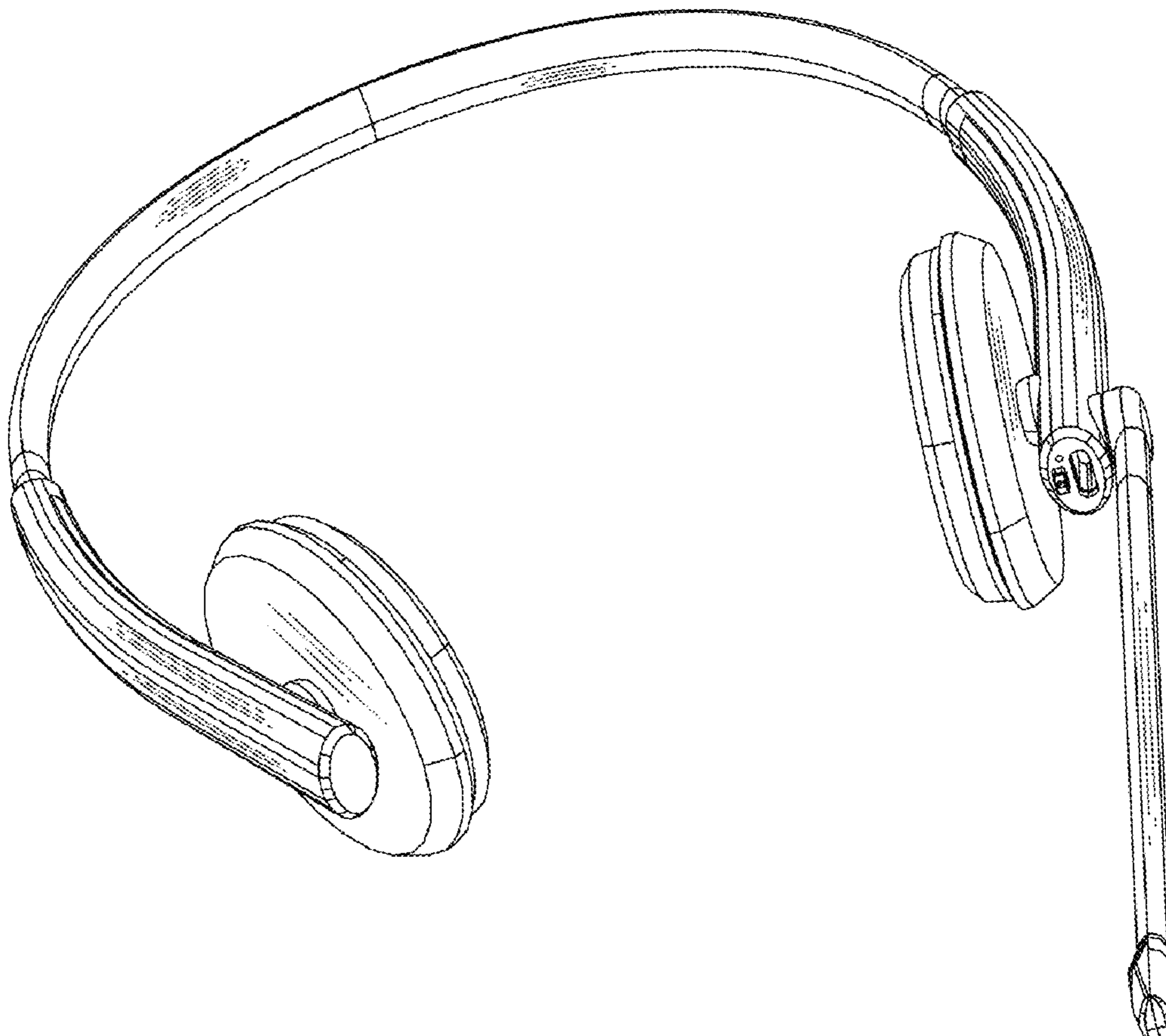
(57) **CLAIM**

The ornamental design for headphones, as shown and described.

DESCRIPTION

FIG. 1 is a front view of headphones, showing my new design;
FIG. 2 is a top plan view thereof;
FIG. 3 is a bottom plan view thereof;
FIG. 4 is a rear plan view thereof;
FIG. 5 is a left plan view thereof;
FIG. 6 is a right plan view thereof; and,
FIG. 7 is a perspective view thereof.

1 Claim, 7 Drawing Sheets



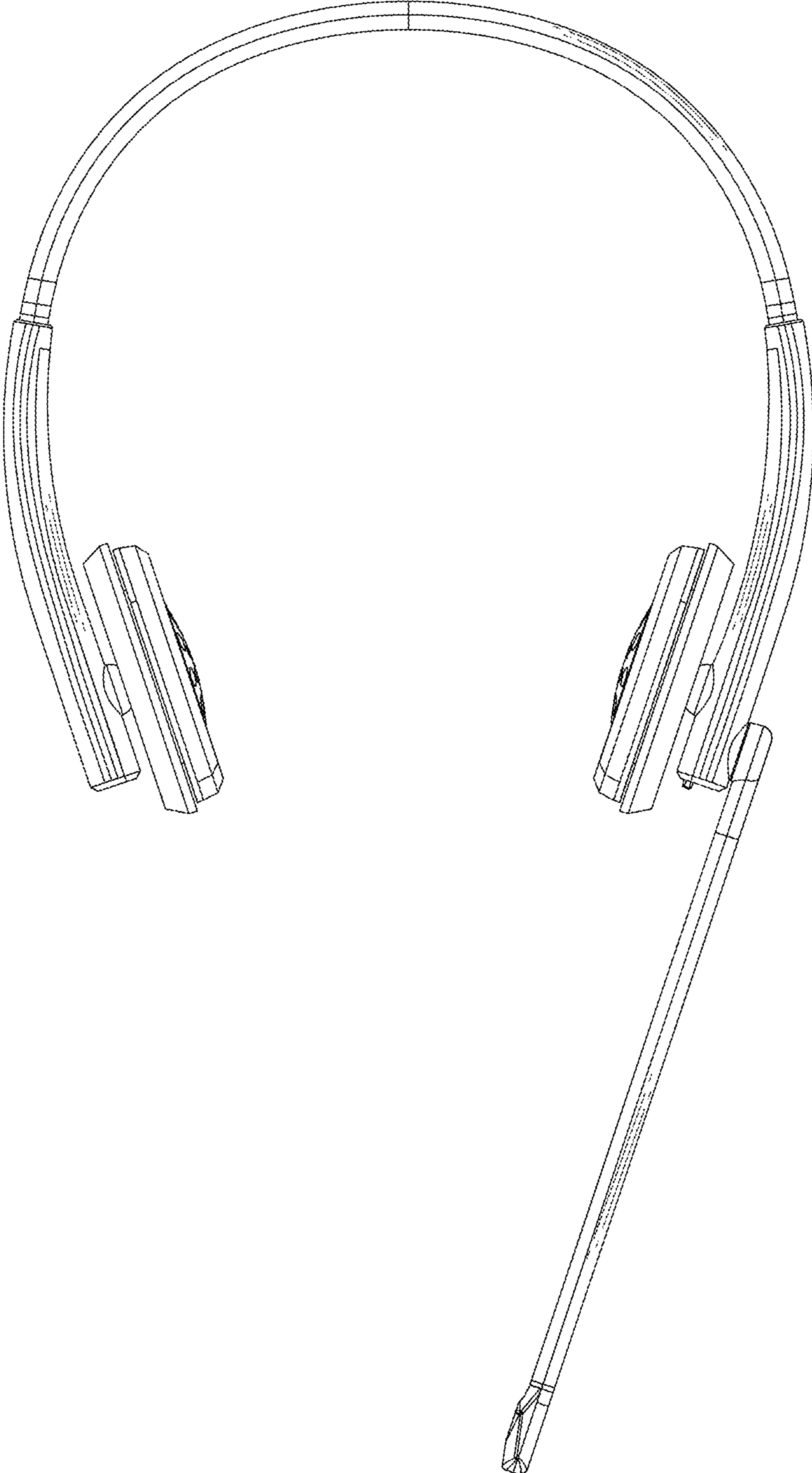


FIG. 1

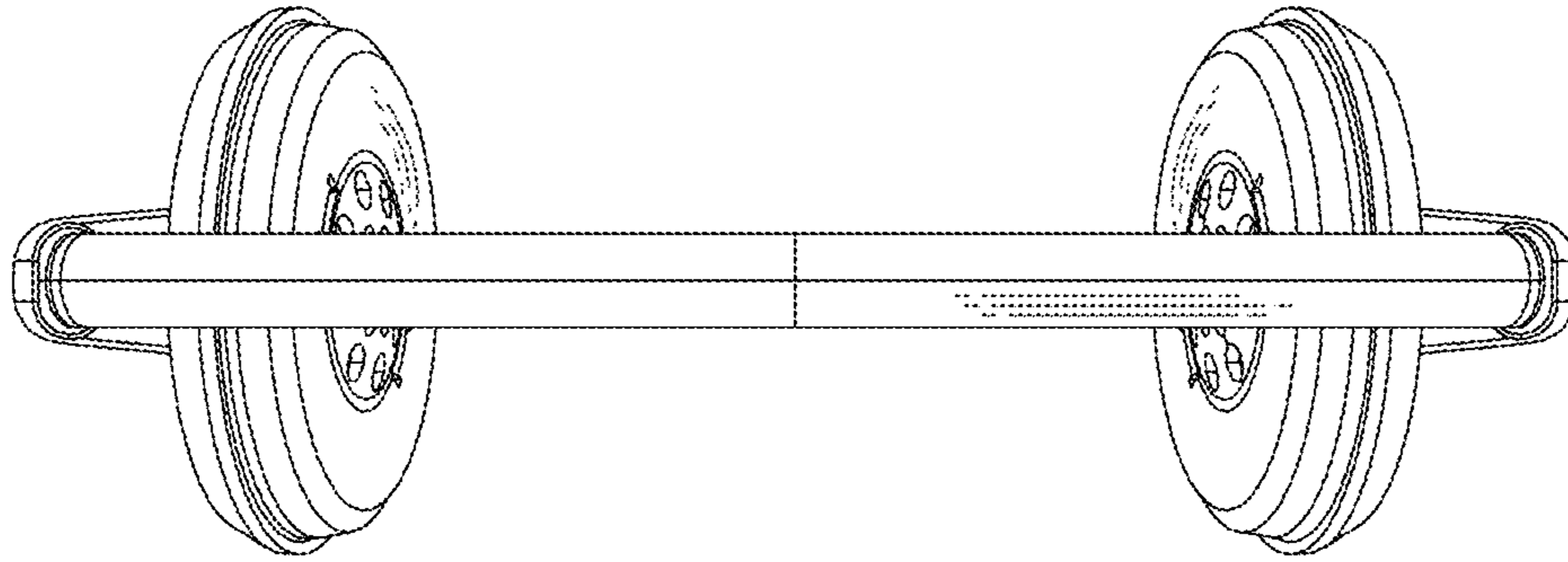


FIG. 2

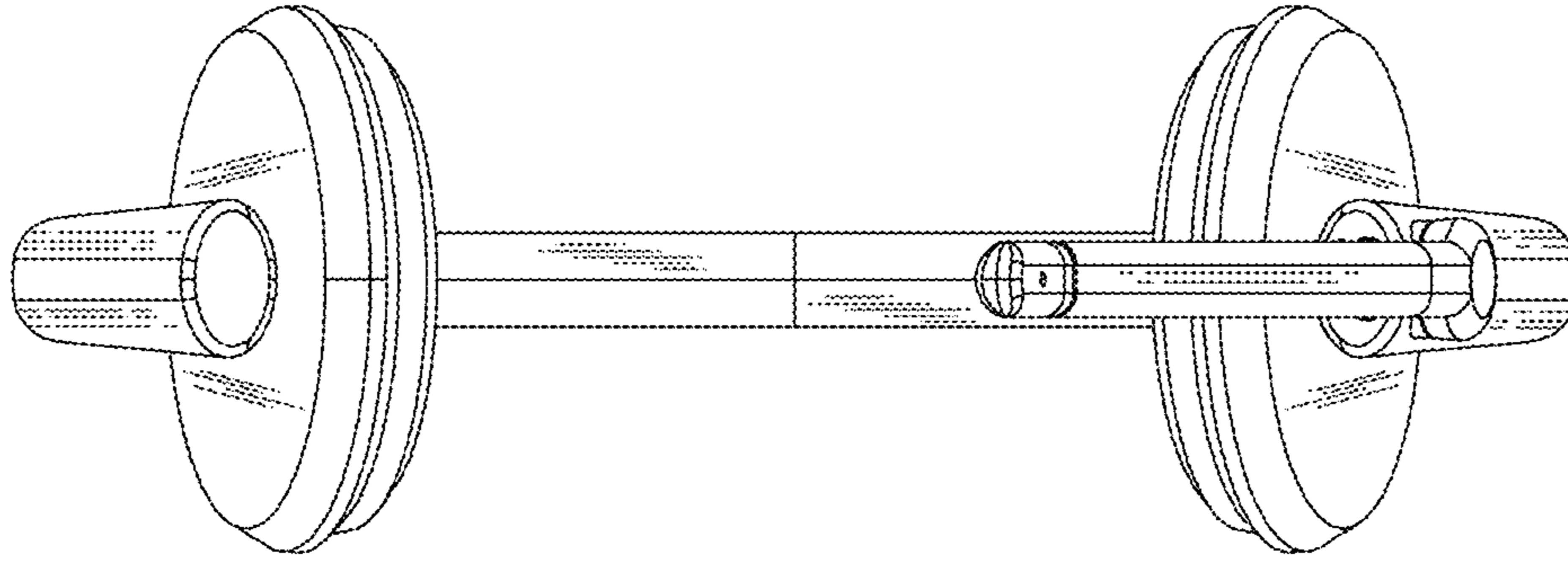


FIG. 3

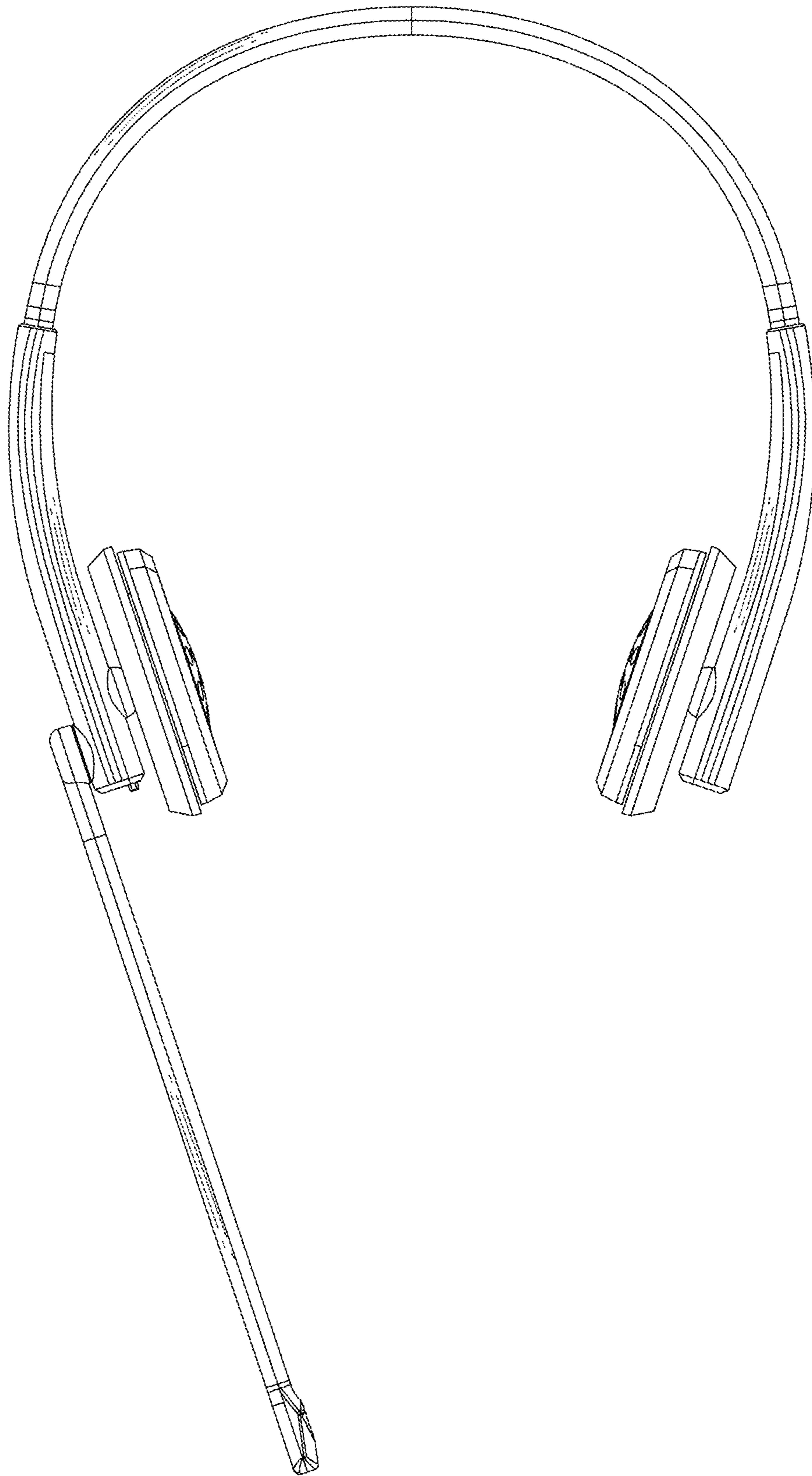


FIG. 4

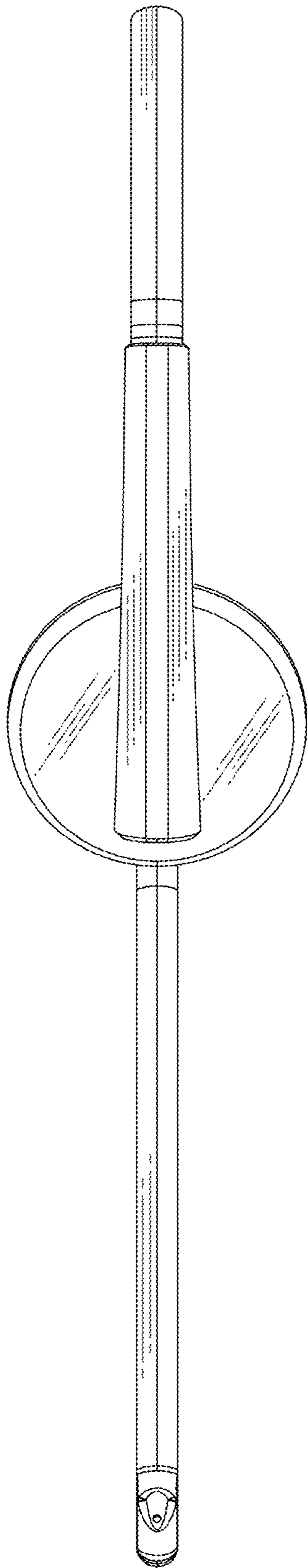


FIG. 5

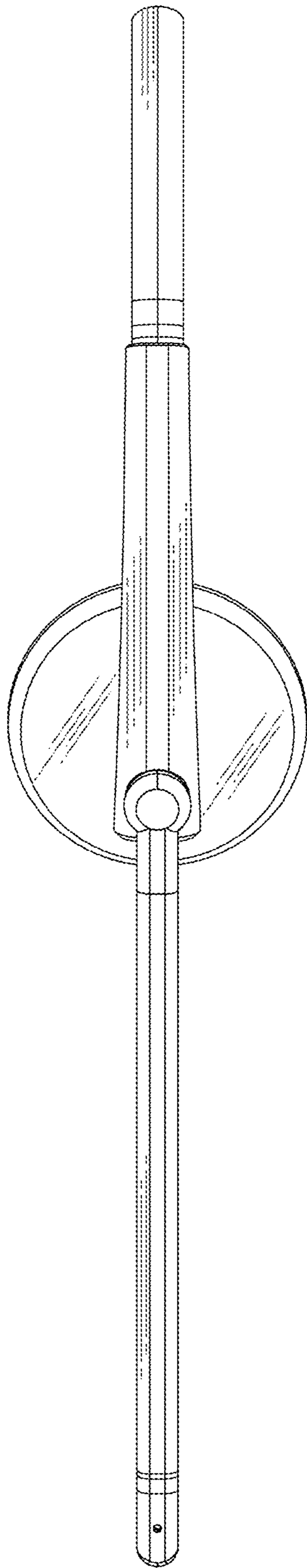


FIG. 6

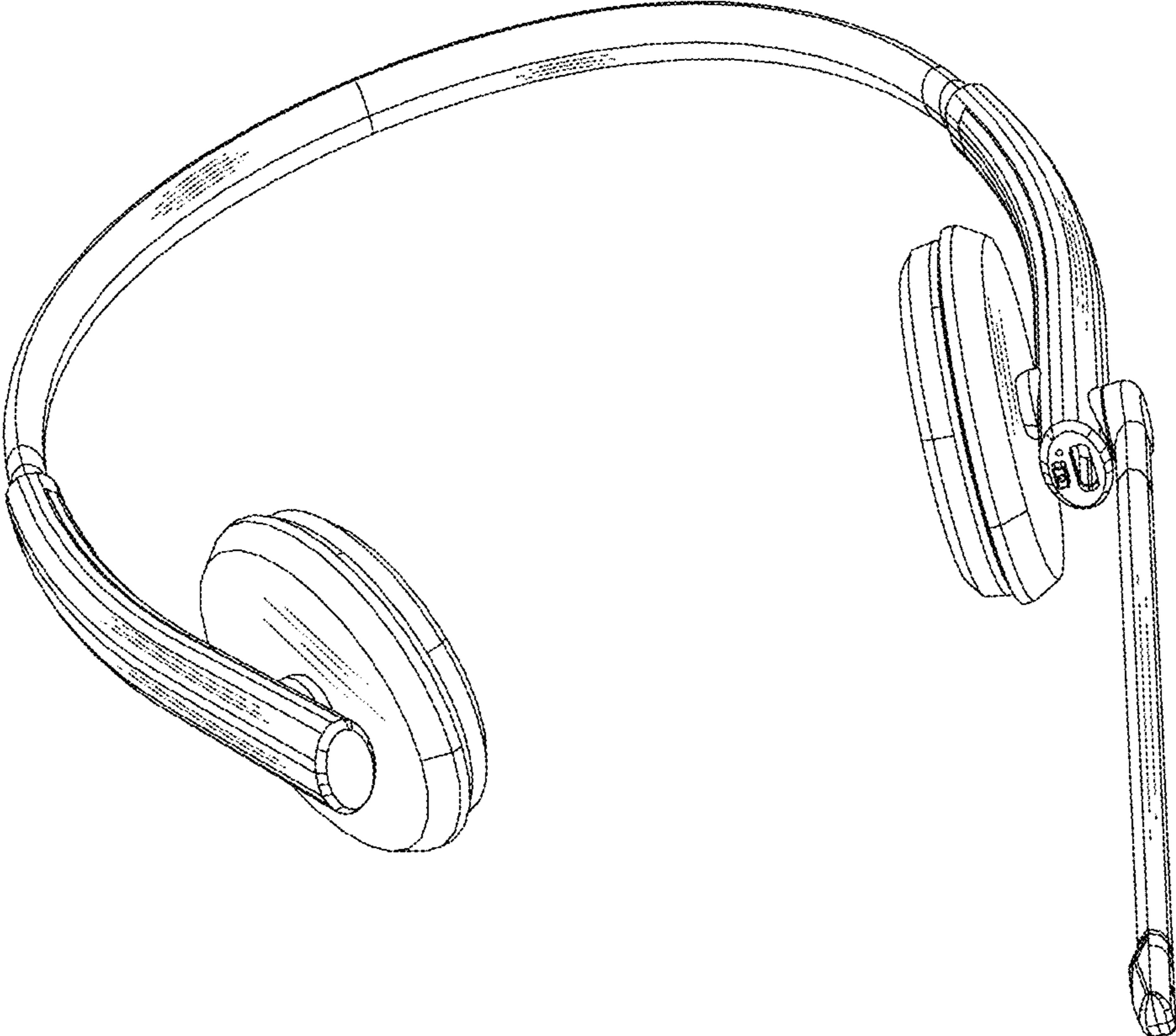


FIG. 7