



US00D983161S

(12) **United States Design Patent**  
**Lo et al.**

(10) **Patent No.:** **US D983,161 S**  
(45) **Date of Patent:** **\*\* Apr. 11, 2023**

(54) **LOUDSPEAKER**

FOREIGN PATENT DOCUMENTS

(71) Applicant: **Harman International Industries, Incorporated**, Northridge, CA (US)

CN 304349193 11/2017  
EM 003791219-0001 4/2017

(Continued)

(72) Inventors: **Jong-Ron Lo**, Shenzhen (CN); **Dario Distefano**, Shenzhen (CN)

OTHER PUBLICATIONS

(73) Assignee: **Hannan International Industries, Incorporated**, Northridge, CA (US)

JBL Boombox 2, date first available: Sep. 18, 2019, [retrieved Aug. 25, 2022], Retrieved from Internet, URL: <[https://www.amazon.com/JBL-Boombox-Waterproof-Portable-Bluetooth/dp/B086C14ZPY/ref=asc\\_df\\_B086C14ZPY/?tag=hyprod-20&linkCode=df0&%E2%80%A6=undefined&th=1](https://www.amazon.com/JBL-Boombox-Waterproof-Portable-Bluetooth/dp/B086C14ZPY/ref=asc_df_B086C14ZPY/?tag=hyprod-20&linkCode=df0&%E2%80%A6=undefined&th=1)> (Year: 2019).\*

(\*\*) Term: **15 Years**

(Continued)

(21) Appl. No.: **29/820,470**

(22) Filed: **Dec. 22, 2021**

*Primary Examiner* — Messina L Smith

*Assistant Examiner* — Aram Kwon

(74) *Attorney, Agent, or Firm* — Plumsea Law Group, LLC

**Related U.S. Application Data**

(63) Continuation-in-part of application No. 29/734,061, filed on May 8, 2020, now Pat. No. Des. 944,757.

(51) **LOC (14) Cl.** ..... **14-01**

(52) **U.S. Cl.**  
USPC ..... **D14/204**

(57) **CLAIM**

The ornamental design for a loudspeaker, as shown and described.

(58) **Field of Classification Search**

USPC ..... D14/155–159, 160–173, 187–188, D14/189–198, 203.1–203.8, 204–216, D14/217–222, 223, 224–229, 239, D14/251–253, 257–258, 335–337, D14/371–382, 432, 439–441, 447–452, D14/457, 492, 496, 498–506; D6/672–673, 675.1, 682

CPC ..... H04R 1/02; H04R 1/021; H04R 1/025; H04R 1/026; H04R 1/028; H04R 1/06;

(Continued)

**DESCRIPTION**

FIG. 1 is a top perspective view of a loudspeaker showing the new design;  
FIG. 2 is a bottom perspective view thereof;  
FIG. 3 is a front elevational view thereof;  
FIG. 4 is a rear elevational view thereof;  
FIG. 5 is a side elevational view thereof;  
FIG. 6 is an opposite side elevational view thereof;  
FIG. 7 is a top view thereof; and,  
FIG. 8 is a bottom view thereof.

The broken lines in the figures illustrate portions of the loudspeaker that form no part of the claimed design. The shading on the loudspeaker is provided merely to represent contours of the design and does not connote the character of the surfaces such as any specific texture, material, gloss, translucence, transparency, surface treatment, or surface decoration.

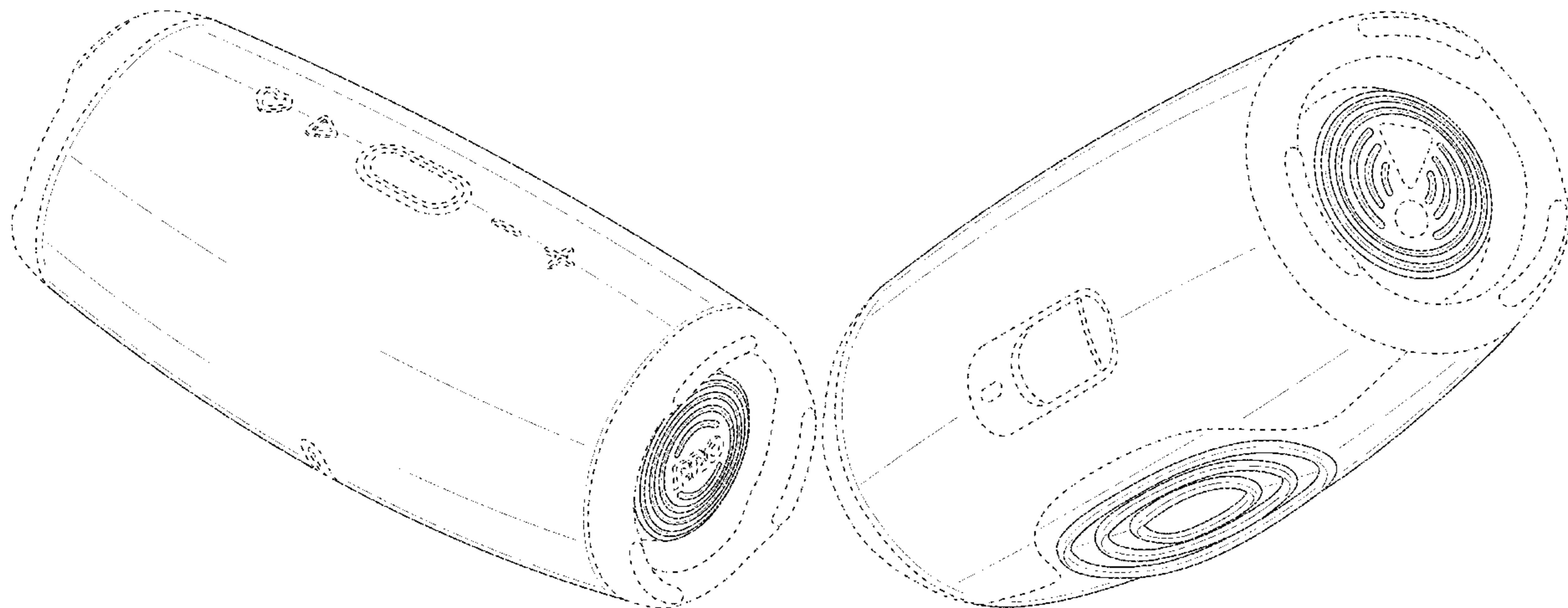
(56) **References Cited**

**U.S. PATENT DOCUMENTS**

D718,279 S 11/2014 Yoon et al.  
D722,595 S 2/2015 Mackiewicz et al.  
D726,684 S 4/2015 Schmiedbauer

(Continued)

**1 Claim, 8 Drawing Sheets**



- (58) **Field of Classification Search**  
 CPC ..... H04R 1/105; H04R 1/323; H04R 1/403;  
 H04R 1/2803; H04R 1/2834  
 See application file for complete search history.

(56) **References Cited**

U.S. PATENT DOCUMENTS

D726,686	S	4/2015	Yoon	
D748,074	S	1/2016	Schmiedbauer	
D748,076	S	1/2016	Yoon	
D750,597	S	* 3/2016	Fischer	D14/216
D759,632	S	6/2016	Fischer	
D798,268	S	* 9/2017	Fang	D14/216
D800,699	S	* 10/2017	Fischer	D14/216
D801,310	S	10/2017	Kachwalla et al.	
D803,813	S	11/2017	Rouffiat et al.	
D805,059	S	* 12/2017	Fischer	D14/221
D811,367	S	* 2/2018	Vaclavik	D14/216
D811,368	S	* 2/2018	Fischer	D14/216
D828,323	S	9/2018	Demin et al.	
D831,002	S	10/2018	Distefano et al.	
D835,071	S	12/2018	Channey et al.	
D839,855	S	2/2019	Park et al.	
D845,925	S	4/2019	Bellinghausen et al.	
D849,718	S	5/2019	Park et al.	
D852,779	S	* 7/2019	Schmiedbauer	D14/216
D854,515	S	* 7/2019	Fischer	D14/216
D860,171	S	* 9/2019	Schmiedbauer	D14/219
D865,705	S	* 11/2019	Distefano	D14/204
D868,022	S	* 11/2019	Distefano	D14/204
D868,033	S	* 11/2019	Luo	D14/216
D868,726	S	12/2019	Kim et al.	
D874,426	S	2/2020	Kim	
D893,456	S	8/2020	Fischer et al.	
D894,871	S	* 9/2020	Distefano	D14/216
D900,765	S	* 11/2020	Yi	D14/126
D906,287	S	12/2020	Waterman et al.	
D909,331	S	2/2021	Sretovic	
D916,046	S	4/2021	Distefano	
D926,721	S	9/2021	Kim	
D933,045	S	10/2021	Jin	
D938,383	S	* 12/2021	Xiong	D14/204
D943,545	S	* 2/2022	Xiong	D14/204
D944,757	S	* 3/2022	Lo	D14/204
D958,772	S	* 7/2022	Zhang	D14/204
2020/0128328	A1	* 4/2020	Liniado	H04S 3/008

FOREIGN PATENT DOCUMENTS

EM	003791219-0002	4/2017
EM	003791219-0003	4/2017
EM	003791219-0004	4/2017
EM	003791219-0005	4/2017
EM	003791219-0006	4/2017
EM	003791219-0007	4/2017
GB	6201852	* 4/2022
GB	6215150	* 6/2022
GB	6215151	* 6/2022
KR	300994861.0000	2/2019
RU	00098697	6/2016
RU	00113625	3/2019
RU	00116673	9/2019

OTHER PUBLICATIONS

JBL Charge 3, date first available: Oct. 17, 2017, [retrieved Aug. 25, 2022], Retrieved from Internet, URL: <<https://www.amazon.com/>

JBL-JBLCHARGE3BLKAM-Waterproof-Portable-Bluetooth/dp/B01F24RHF4/ref=asc\_df\_B01F24RHF4/?tag=hyprod-20&linkCode=E2%80%A6> (Year: 2017).\*

Ortizan Portable Bluetooth Speaker, date first available: Jan. 13, 2021, [retrieved Aug. 25, 2022], Retrieved from Internet, URL: <[https://www.amazon.com/dp/B08QYNCYVF/ref=sspa\\_dk\\_detail\\_2?pd\\_rd\\_i=B08QYNCYVF&pd\\_rd\\_w=Pov0h&content-id=amzn1.sym.25e96b%E2%80%A6&th=1](https://www.amazon.com/dp/B08QYNCYVF/ref=sspa_dk_detail_2?pd_rd_i=B08QYNCYVF&pd_rd_w=Pov0h&content-id=amzn1.sym.25e96b%E2%80%A6&th=1)> (Year: 2021).\*

Treblab HD77, date first available: Jan. 27, 2022, [retrieved Aug. 25, 2022], Retrieved from Internet, URL: <[https://www.amazon.com/dp/B09MTN4J3Z/ref=sspa\\_dk\\_detail\\_1?pd\\_rd\\_i=B09MTN4J3Z&pd\\_rd\\_w=tjMtw&content-id=amzn1.sym.3481f441-%E2%80%A61%2F12&th=1](https://www.amazon.com/dp/B09MTN4J3Z/ref=sspa_dk_detail_1?pd_rd_i=B09MTN4J3Z&pd_rd_w=tjMtw&content-id=amzn1.sym.3481f441-%E2%80%A61%2F12&th=1)> (Year: 2022).\*

Design U.S. Appl. No. 29/667,085, filed Oct. 18, 2018.

JBL Flip 2 Specification Sheet, Harman International Industries, Incorporated, © 2013 (2 pp).

JBL Flip 4 Specification Sheet, Harman International Industries, Incorporated, © 2017 (2 pp).

JBL Flip 4 Quick Start Guide, Harman International Industries, Incorporated, 2017 (20 pp).

Design U.S. Appl. No. 29/623,159, filed Oct. 23, 2017.

JBL Pulse 3 Specification Sheet, Harman International Industries, Incorporated, © 2017 (2 pp).

Design U.S. Appl. No. 29/674,328, filed Dec. 20, 2018.

Design U.S. Appl. No. 29/704,391, filed Sep. 4, 2019.

Design U.S. Appl. No. 29/683,649, filed Mar. 14, 2019.

Design U.S. Appl. No. 29/719,099, filed Dec. 31, 2019.

Design U.S. Appl. No. 29/776,237, filed Mar. 29, 2021.

Design U.S. Appl. No. 29/800,831, filed Jul. 22, 2021.

Design U.S. Appl. No. 29/803,721, filed Aug. 16, 2021.

Design U.S. Appl. No. 29/820,469, filed Dec. 22, 2021.

Design U.S. Appl. No. 29/740,620, filed Jul. 7, 2020.

“JBL Rolls Out All-in-One Subwoofer and Portable Speaker Subsystem: JBL BassPro Go is the first to market audio system for use both inside and outside the vehicle,” Harman International Industries, Incorporated, webpage, Jan. 4, 2017, 6 pages. Retrieved Jun. 25, 2020 from Internet: <<https://news.harman.com/releases/jblR-rolls-out-all-in-one-subwoofer-and-portable-speaker-subsystem>>.

JBL Xtreme Specification Sheet, Harman International Industries, Incorporated, 2015, 2 pages.

Design U.S. Appl. No. 29/734,061, filed May 8, 2020.

JBL Charge 4, date first available: Jun. 30, 2019, [retrieved Jul. 1, 2021], Retrieved from Internet, URL: <[https://www.amazon.com/JBL-Portable-Waterproof-Wireless-Bluetooth/dp/B07GWRCZQP/ref=asc\\_df\\_B07GWRCZQP/?tag=hyprod-20&linkCode=df%E2%80%A6](https://www.amazon.com/JBL-Portable-Waterproof-Wireless-Bluetooth/dp/B07GWRCZQP/ref=asc_df_B07GWRCZQP/?tag=hyprod-20&linkCode=df%E2%80%A6)> (Year: 2019).

JBL Charge 5, date first available: Feb. 22, 2021, [retrieved Jul. 1, 2021], Retrieved from Internet, URL: <<https://www.amazon.com/JBL-CHARGE-Portable-Bluetooth-Waterproof/dp/B08X4YMTPM>> (Year: 2021).

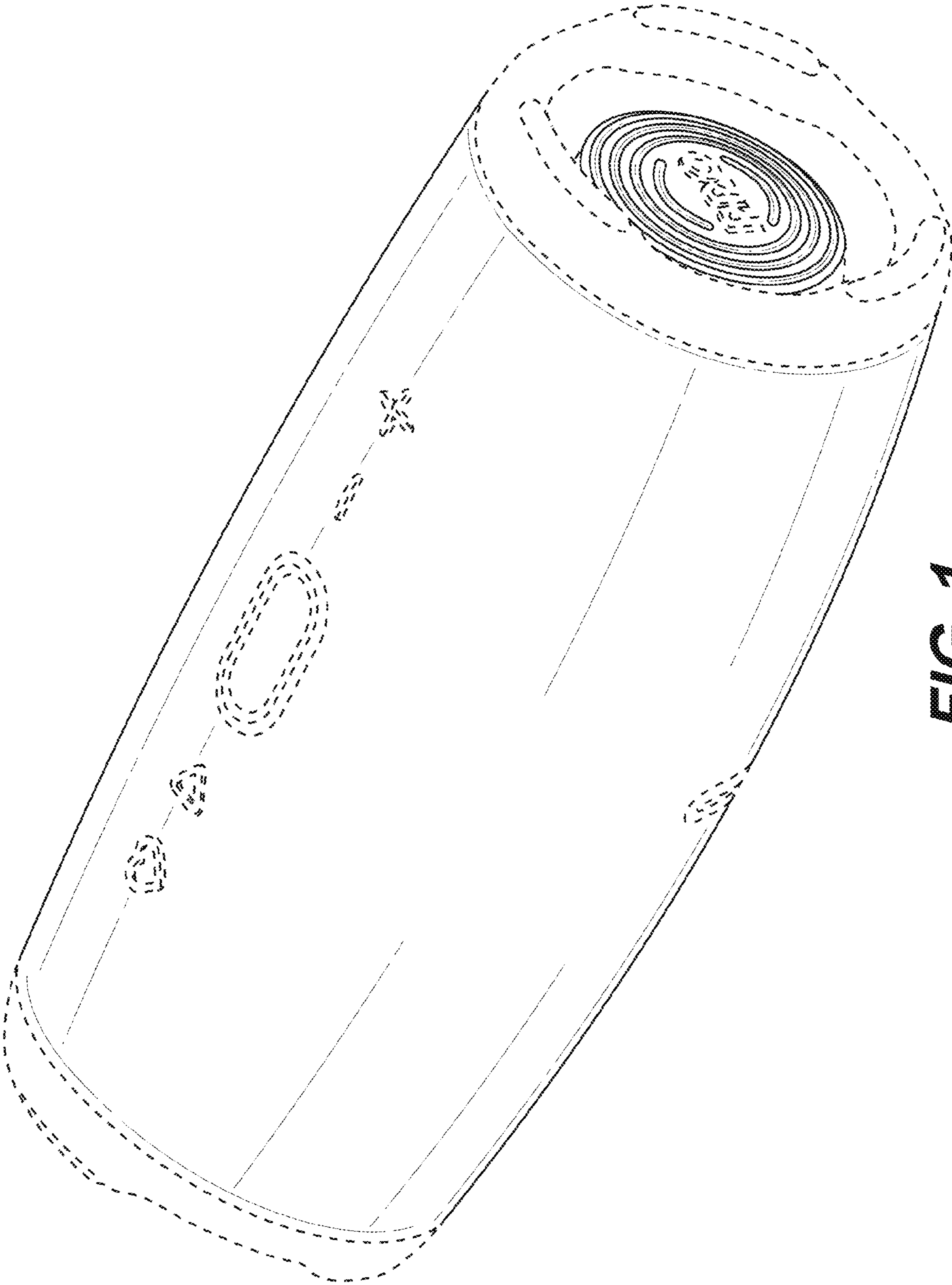
JBL Xtreme 3, date first available: Nov. 18, 2020, [retrieved Jul. 1, 2021], Retrieved from Internet, URL: <<https://www.amazon.com/JBL-Xtreme-Waterproof-PartyBoost-Multi-Speaker/dp/B08NLPX4CW>> (Year: 2020).

JBL Charge 4 vs JBL Charge 5, Apr. 27, 2021, [retrieved Jul. 1, 2021], Retrieved from Internet, URL: <<https://www.maxdalton.com/tutorial/jbl-charge-5-vs-jbl-charge-4>> (Year: 2021).

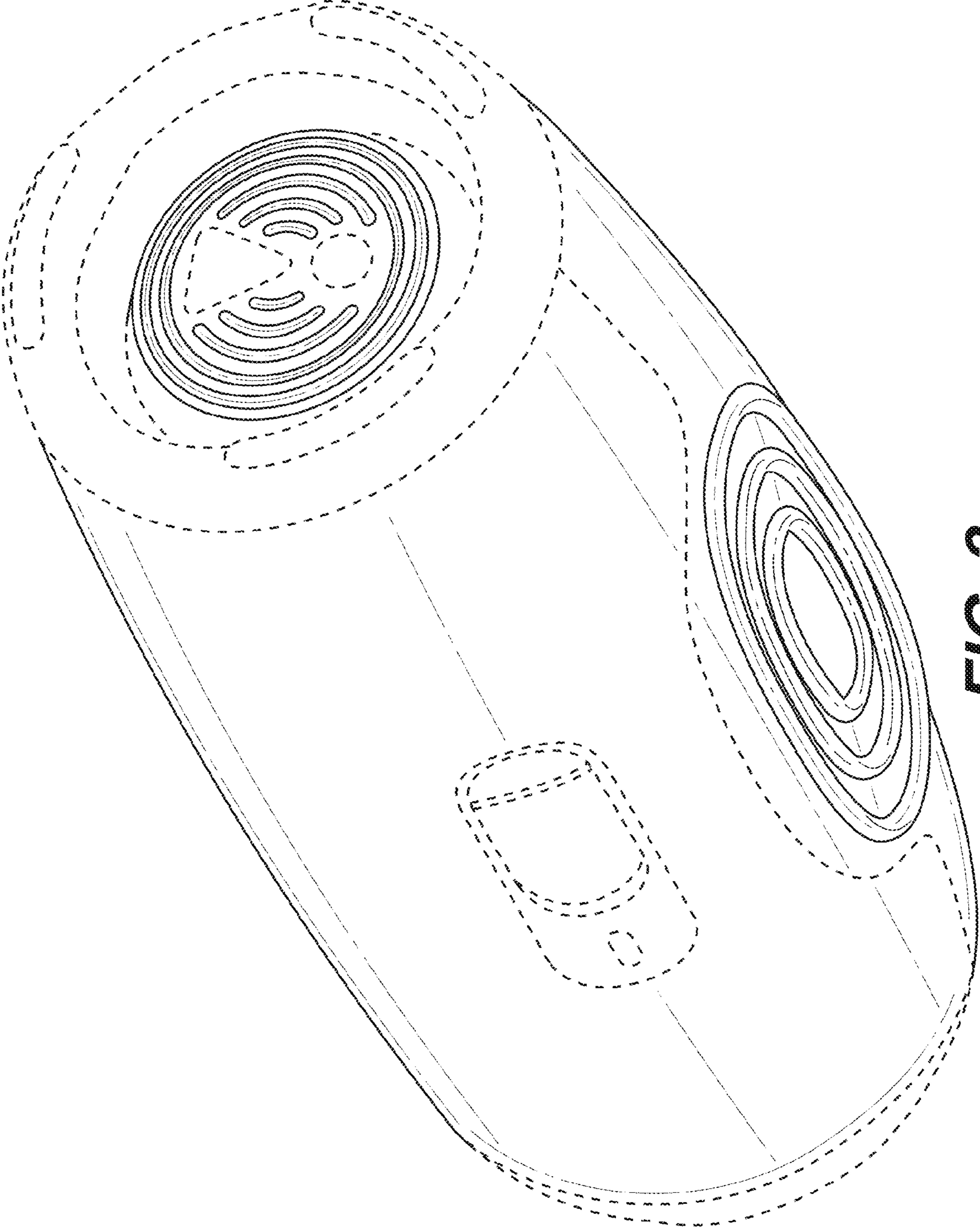
JBL debuts new Charge 5 Bluetooth speaker . . . , Jan. 7, 2021, [retrieved Jul. 1, 2021], Retrieved from Internet, URL: <<https://www.cnet.com/news/jbl-debuts-new-charge-5-bluetooth-speaker-for-180/>> (Year: 2021).

New!! JBL Charge 5—Official Product Video, Dec. 27, 2020, [retrieved Jul. 1, 2021], Retrieved from Internet, URL: <<https://www.youtube.com/watch?v=mQqXlbFXrAo>> (Year: 2020).

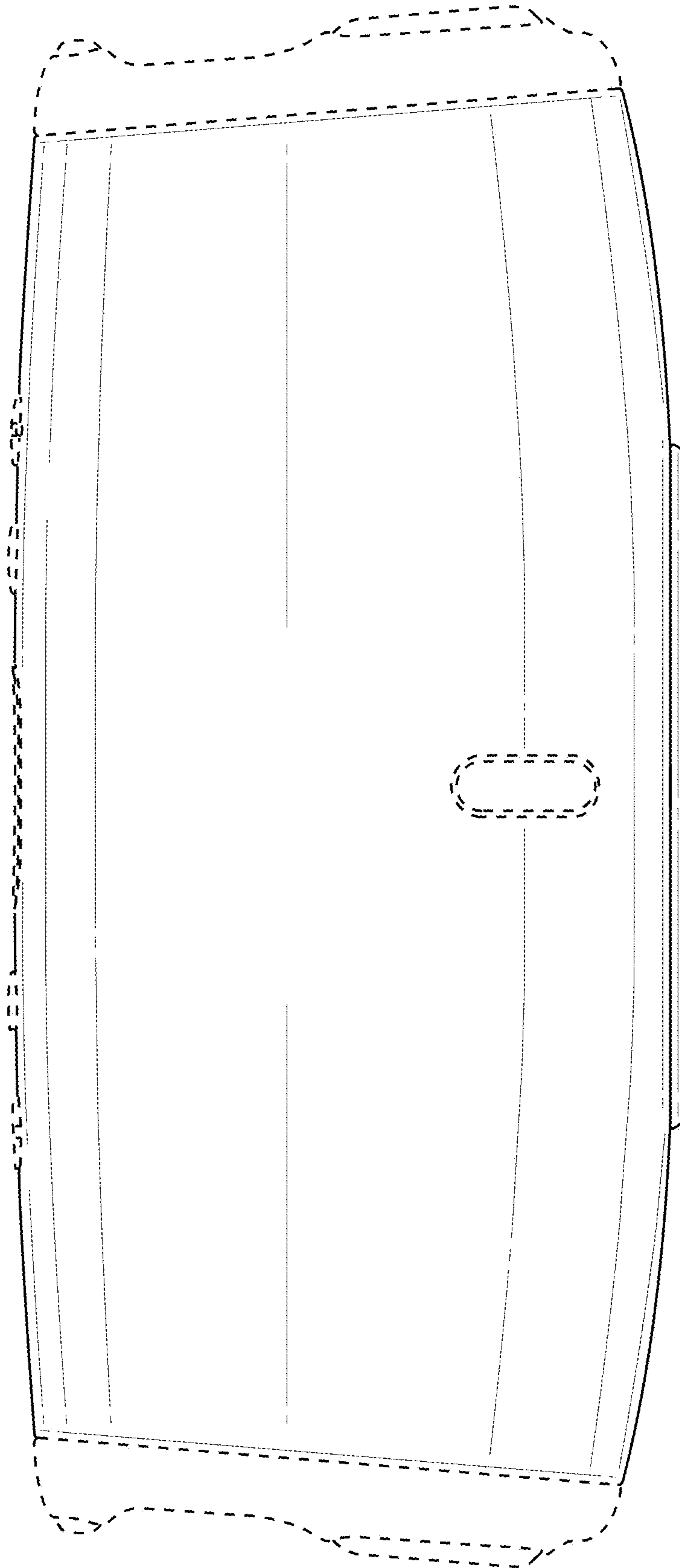
\* cited by examiner



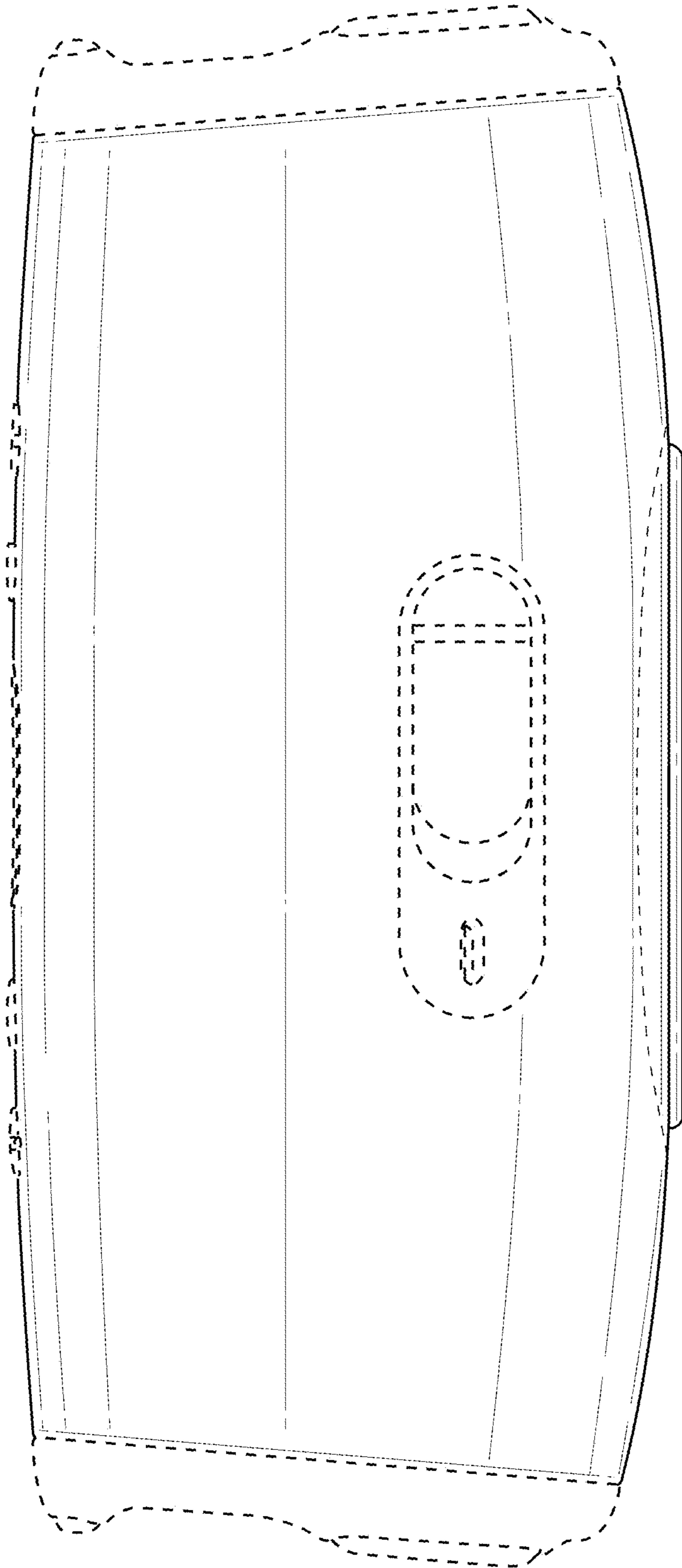
**FIG. 1**



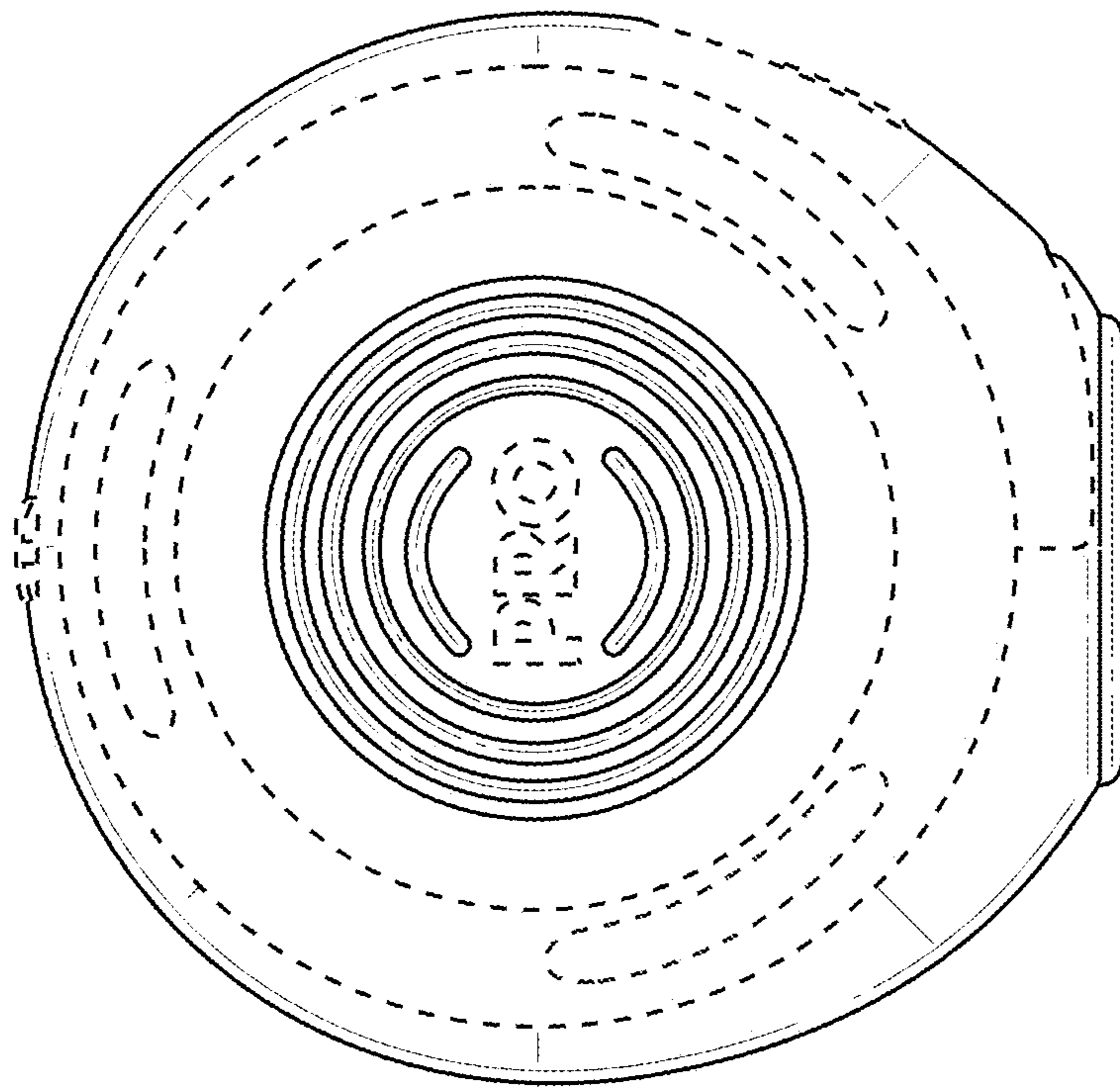
**FIG. 2**



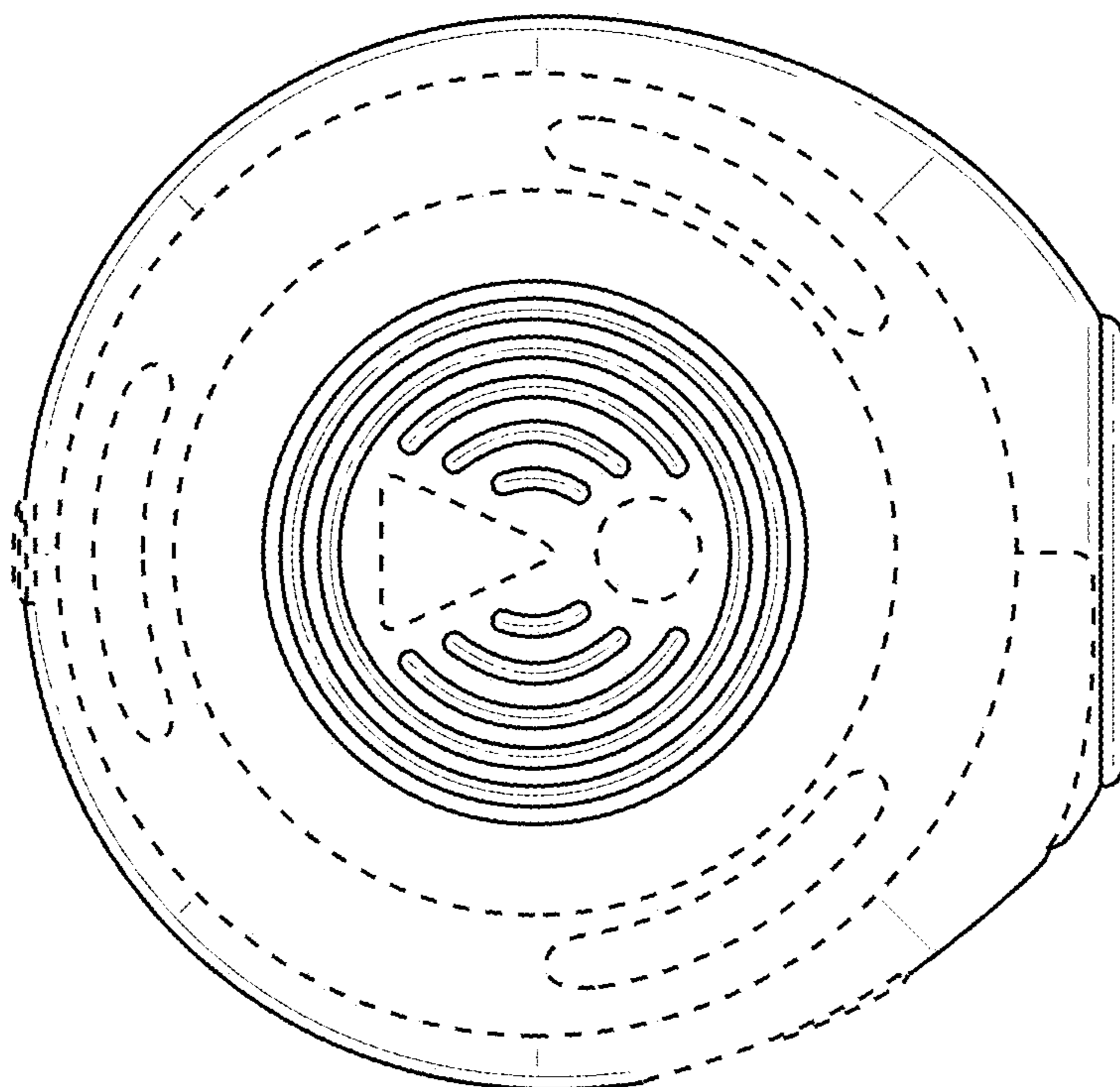
**FIG. 3**



**FIG. 4**

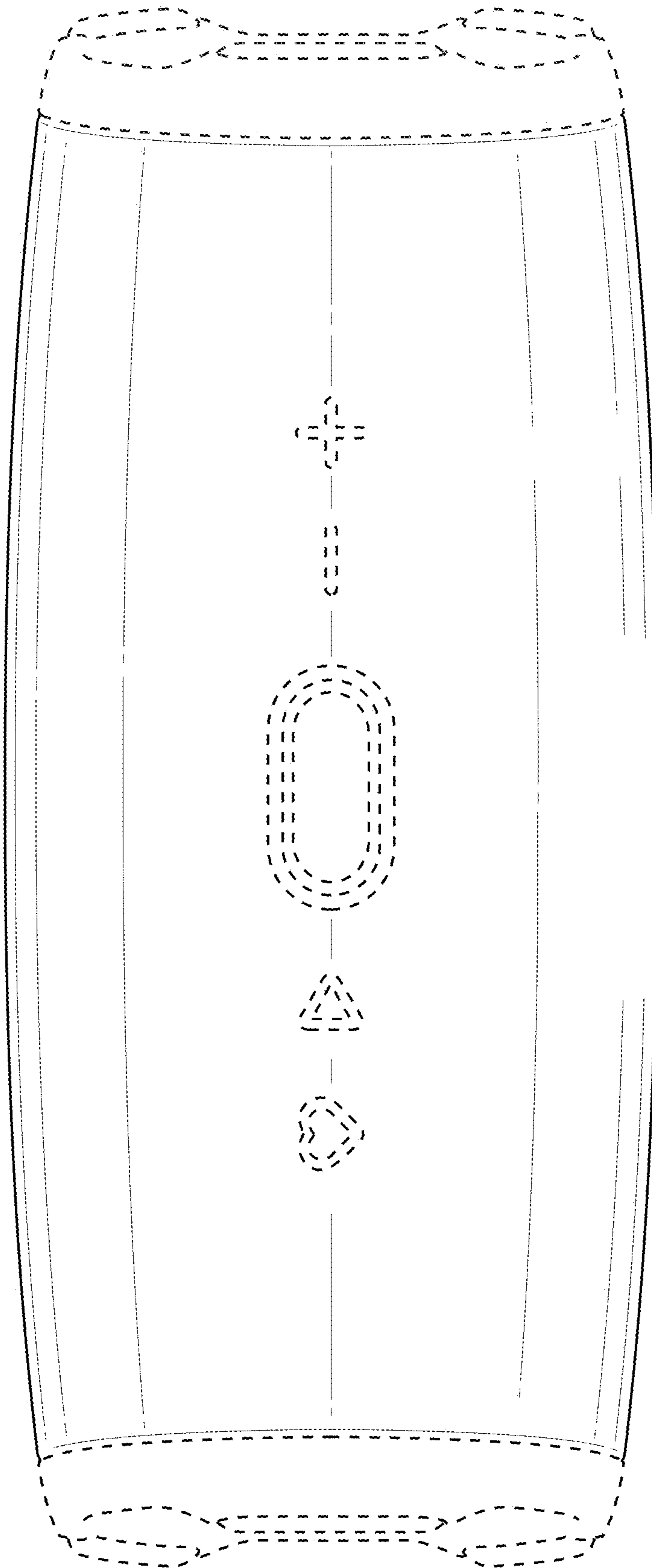


**FIG. 5**

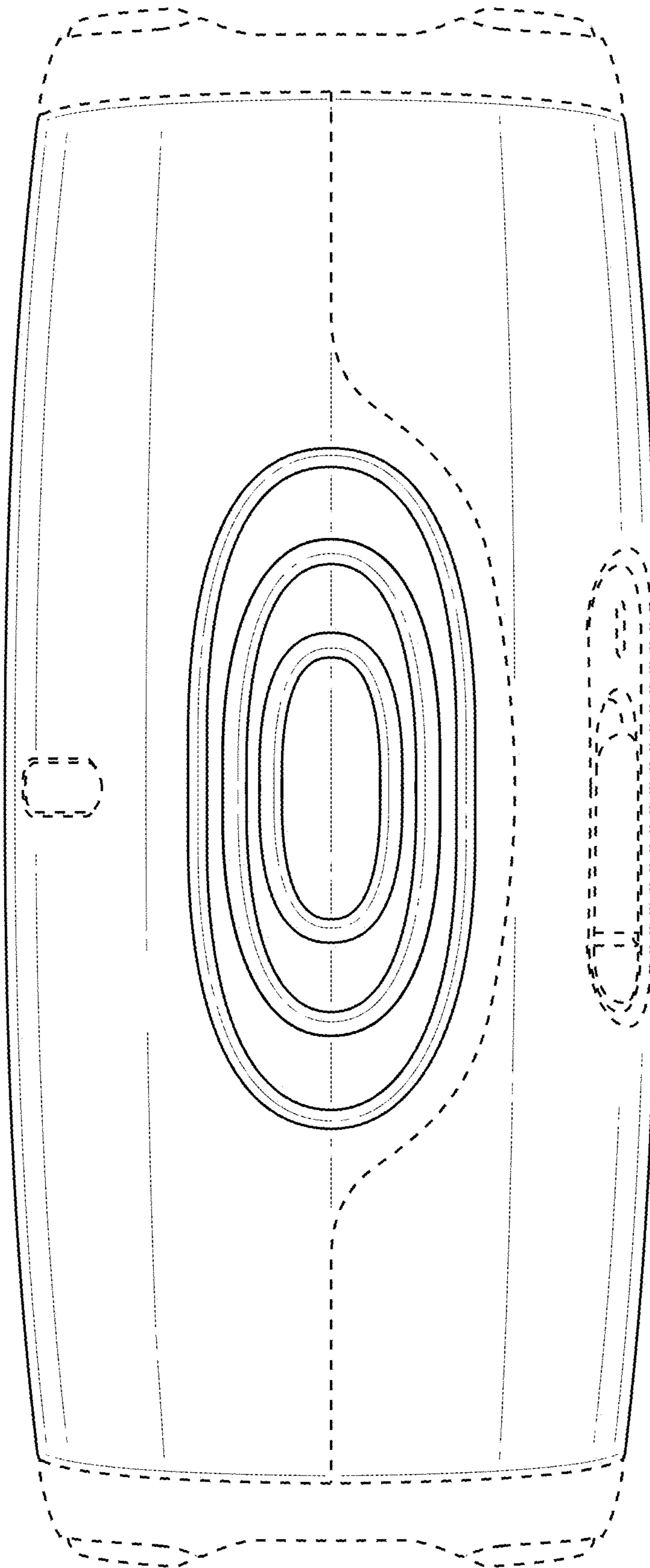


**FIG. 6**





**FIG. 7**



**FIG. 8**