



US00D983160S

(12) **United States Design Patent** (10) **Patent No.:** **US D983,160 S**
Justino De Oliveira (45) **Date of Patent:** **** Apr. 11, 2023**

(54) **LOUDSPEAKER**

- (71) Applicant: **Harman International Industries, Incorporated**, Northridge, CA (US)
- (72) Inventor: **Rui Edson Justino De Oliveira**, Rochester, MI (US)
- (73) Assignee: **Harman International Industries, Incorporated**, Northridge, CA (US)
- (**) Term: **15 Years**
- (21) Appl. No.: **29/770,719**
- (22) Filed: **Feb. 16, 2021**
- (51) **LOC (14) Cl.** **14-01**
- (52) **U.S. Cl.**
USPC **D14/204**
- (58) **Field of Classification Search**
USPC D14/174, 168, 204, 218, 410, 454;
D21/324-329, 332, 333
CPC G06F 1/1688; H04R 9/06; H04R 1/025
See application file for complete search history.

(56) **References Cited**

U.S. PATENT DOCUMENTS

D366,262 S *	1/1996	Inaba	D14/218
D451,153 S *	11/2001	Hedrick	D21/333
D565,119 S *	3/2008	Proud	D21/324
D565,121 S *	3/2008	Proud	D21/324
D584,700 S	1/2009	Urry et al.		
D731,446 S *	6/2015	Sparks	D14/454
D770,419 S *	11/2016	Lum	D14/217
D771,583 S	11/2016	Chan et al.		
D771,584 S	11/2016	Chan et al.		
D803,183 S *	11/2017	Lum	D14/204
D808,466 S *	1/2018	Foster	D14/401
D823,398 S *	7/2018	Zekelman	D21/324
D856,301 S *	8/2019	Lum	D14/204
D875,837 S *	2/2020	Ehara	D21/333
10,721,554 B2 *	7/2020	Groleau	B60N 2/879
D954,151 S *	6/2022	Lv	D21/333

OTHER PUBLICATIONS

“Harman Raises the Bar with Smart Audio Solutions Designed to Shape the Future of In-Car Experience at CES 2017,” Harman International, Jan. 4, 2017. Retrieved Oct. 22, 2021 from Internet: <<https://news.harman.com/releases/harman-raises-the-bar-with-smart-audio-solutions-designed-to-shape-the-future-of-in-car-experience-at-ces-2017>>.

“Harman Redefines the In-Car Concert Experience with New Levels of Immersion and Customization,” Harman International, Jan. 7, 2021. Retrieved Oct. 22, 2021 from Internet: <<https://news.harman.com/releases/harman-redefines-the-in-car-concert-experience-with-new-levels-of-immersion-and-customization>>.

* cited by examiner

Primary Examiner — Khawaja Anwar

Assistant Examiner — Megan Tiana Rakos

(74) *Attorney, Agent, or Firm* — Plumsea Law Group, LLC

(57) **CLAIM**

The ornamental design for a loudspeaker, as shown and described.

DESCRIPTION

FIG. 1 is a front perspective view of a loudspeaker showing my new design;

FIG. 2 is a front elevational view thereof;

FIG. 3 is a rear elevational view thereof;

FIG. 4 is a side elevational view thereof;

FIG. 5 is an opposite side elevational view thereof;

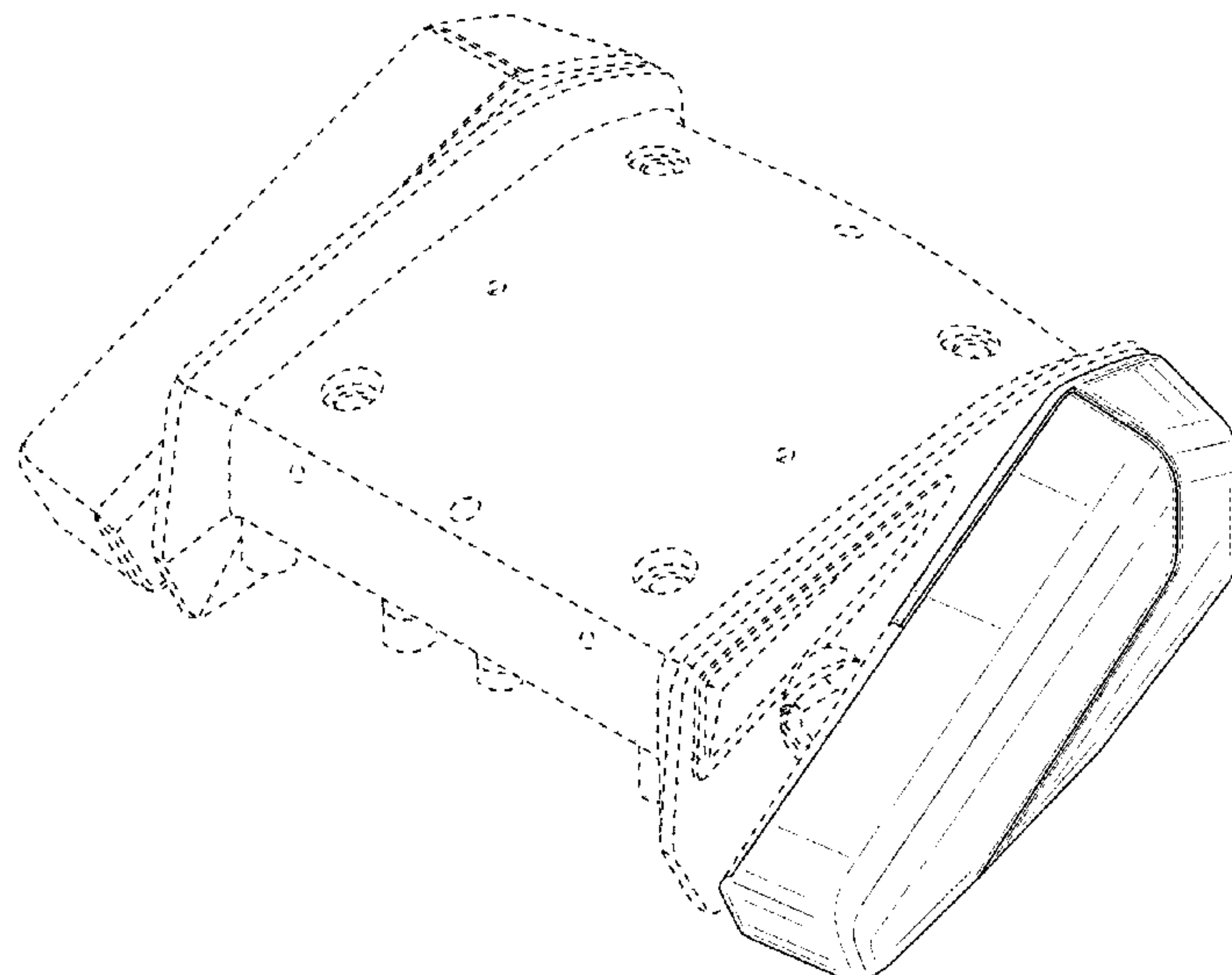
FIG. 6 is a top view thereof; and,

FIG. 7 is a bottom view thereof.

The broken lines in the figures illustrate portions of the loudspeaker that form no part of the claimed design.

The shading is provided merely to represent contours of the design and does not connote the character of the surfaces such as any specific texture, material, gloss, translucence, transparency, surface treatment, or surface decoration.

1 Claim, 7 Drawing Sheets



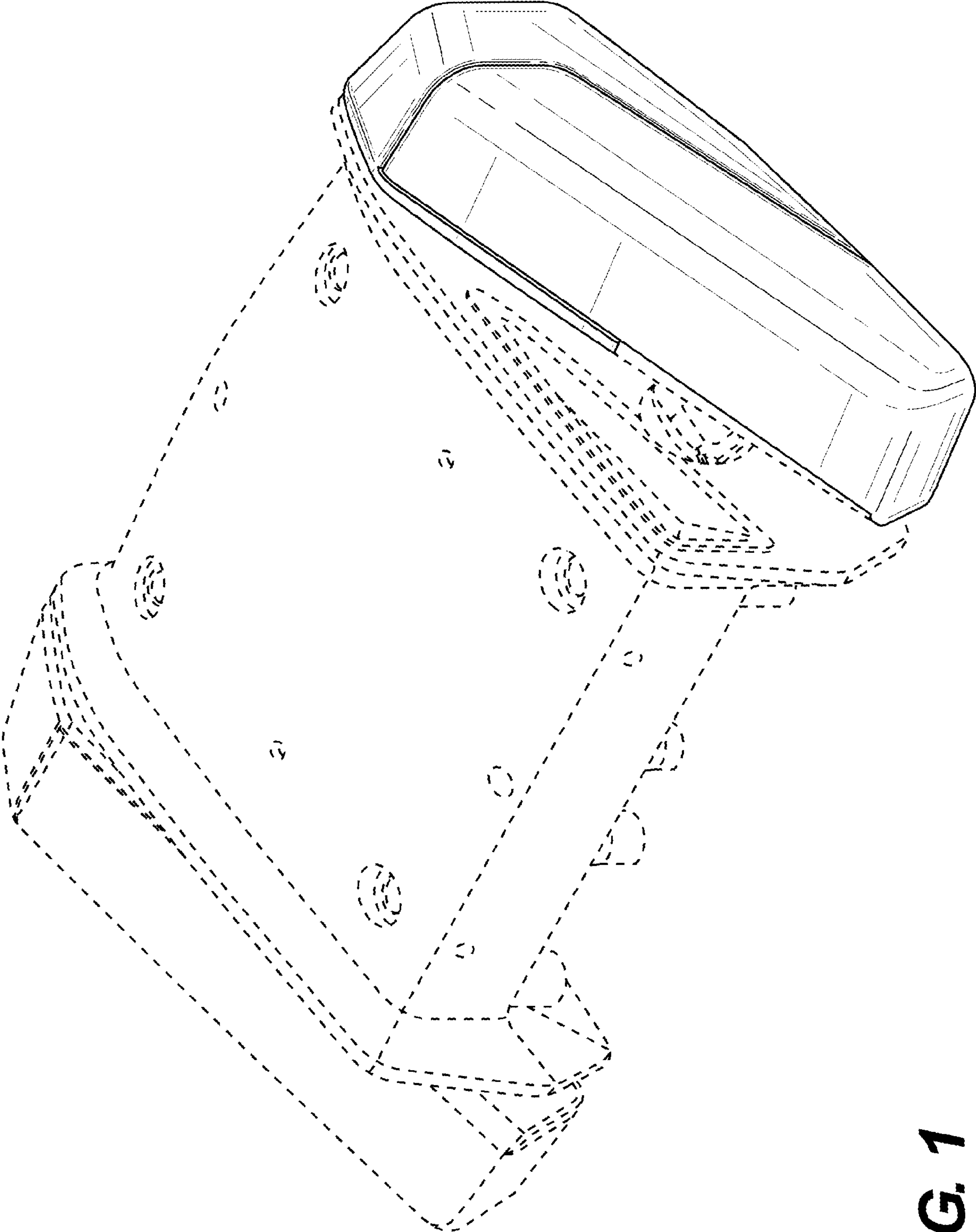


FIG. 1

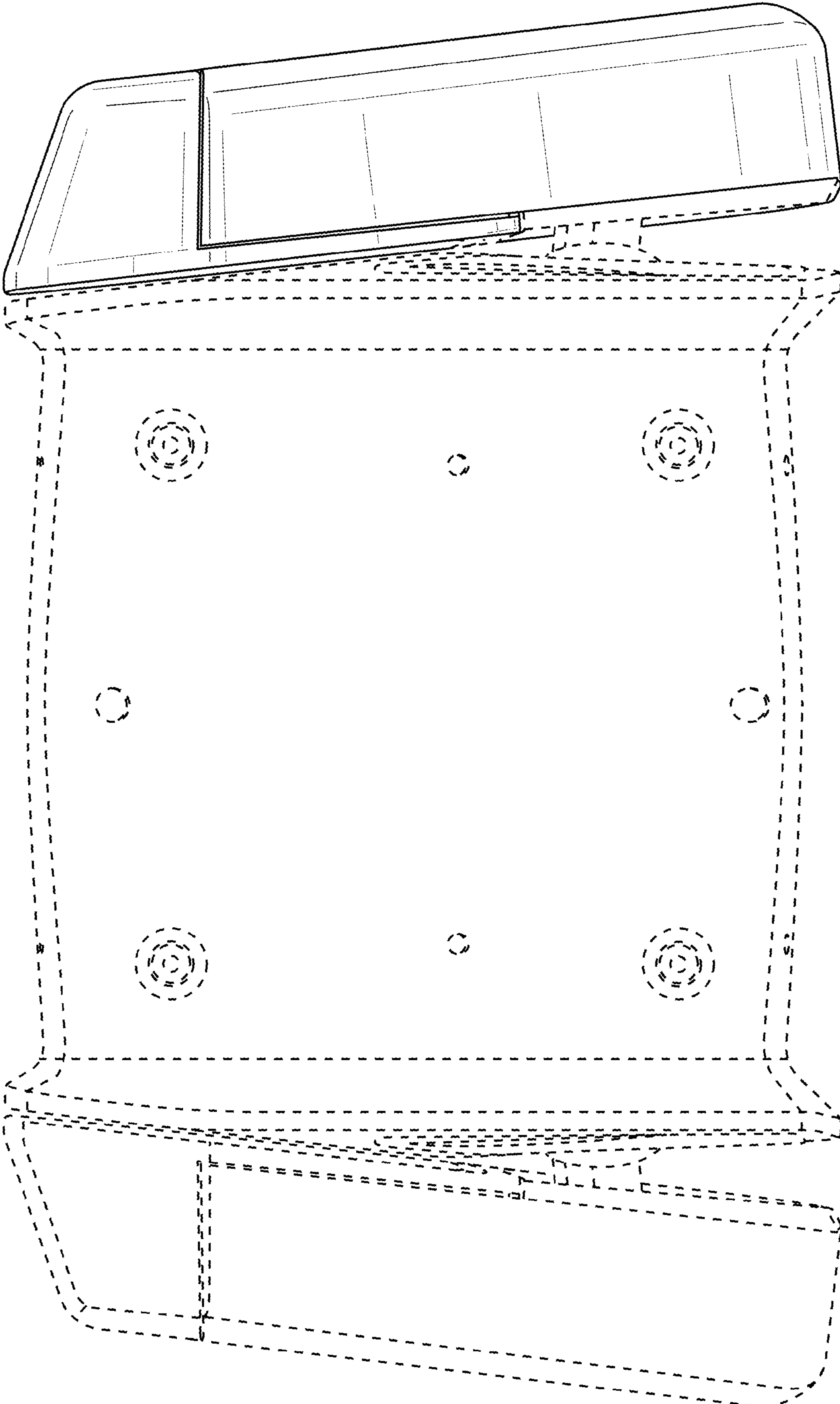


FIG. 2

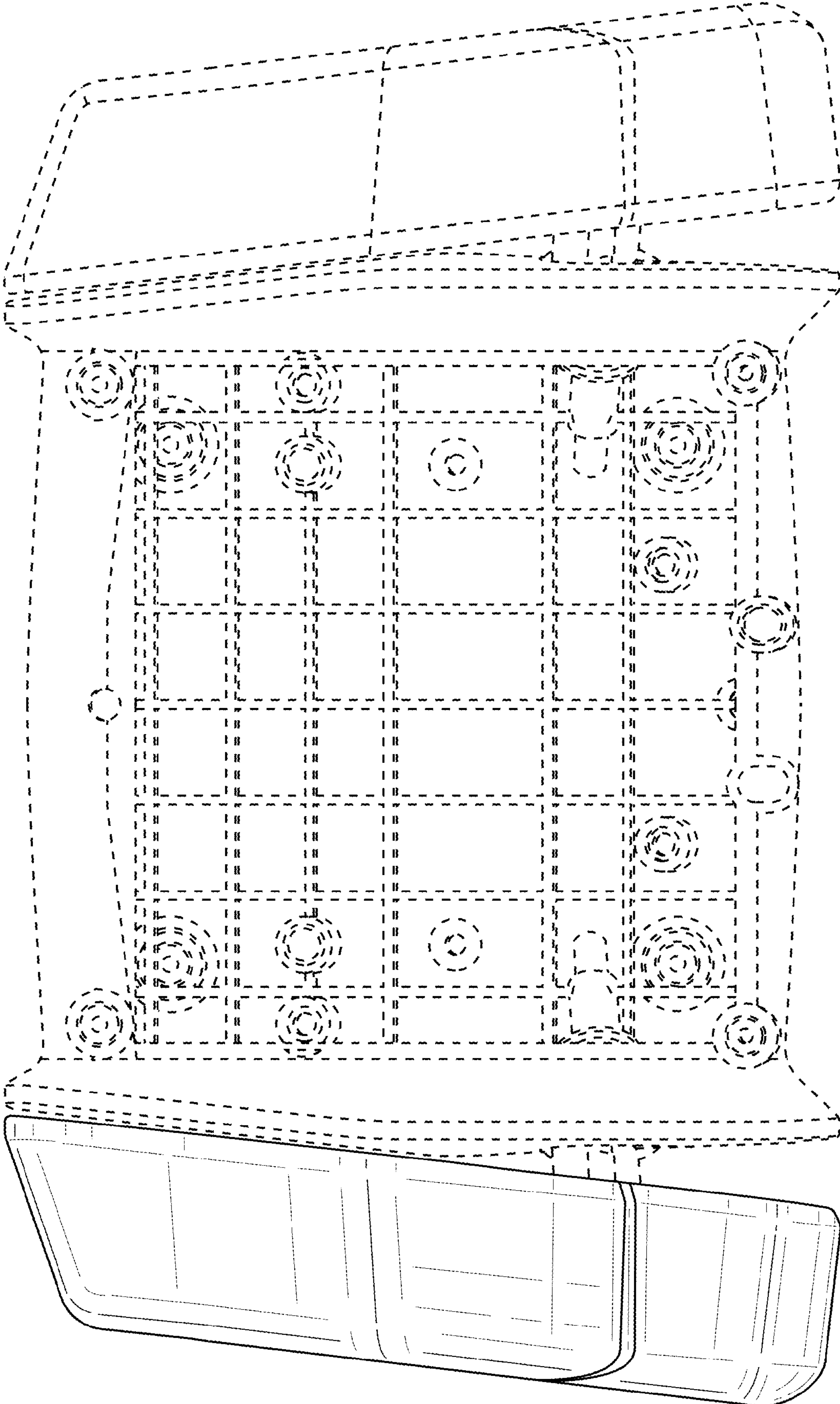


FIG. 3

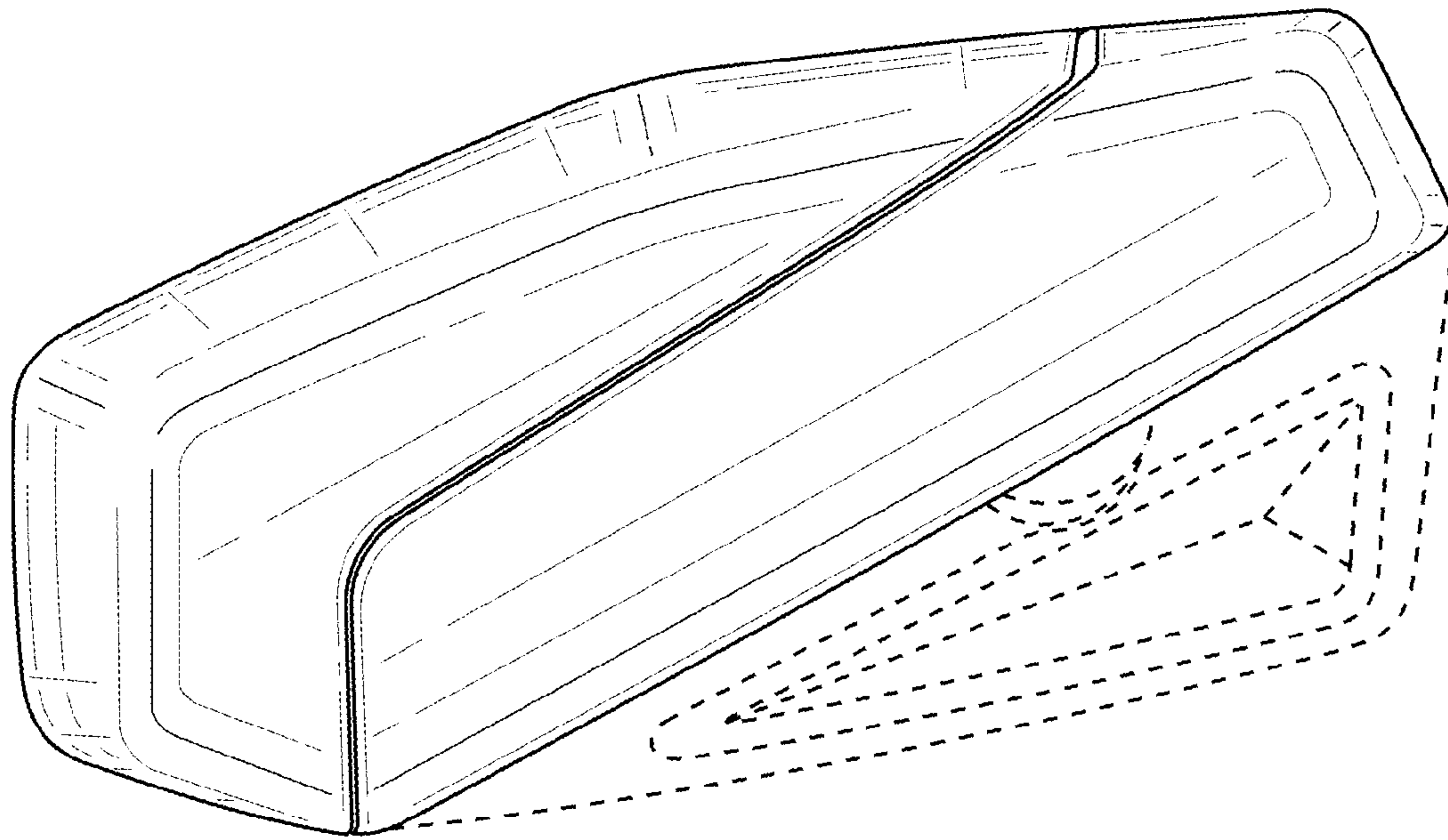


FIG. 4

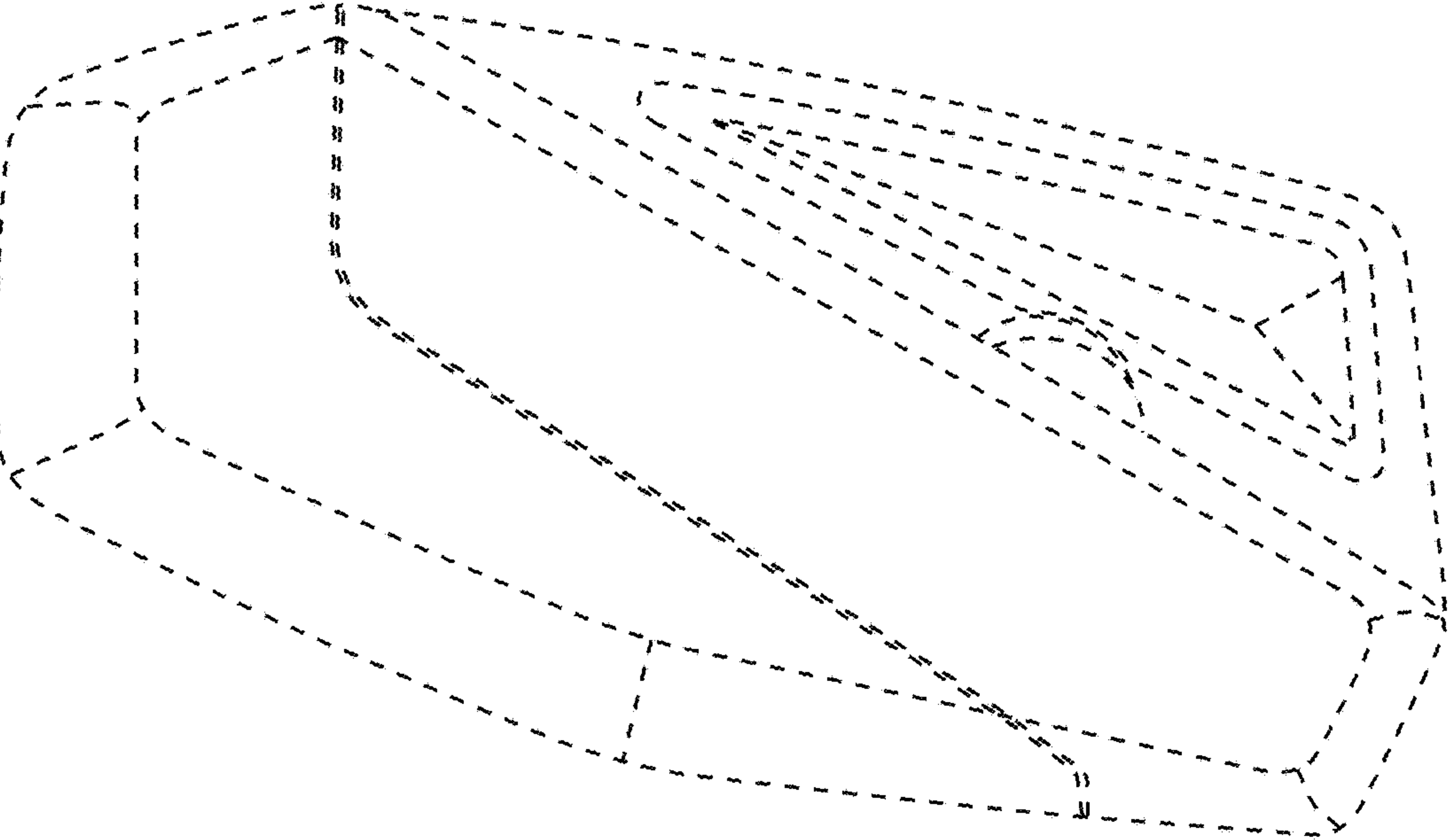


FIG. 5

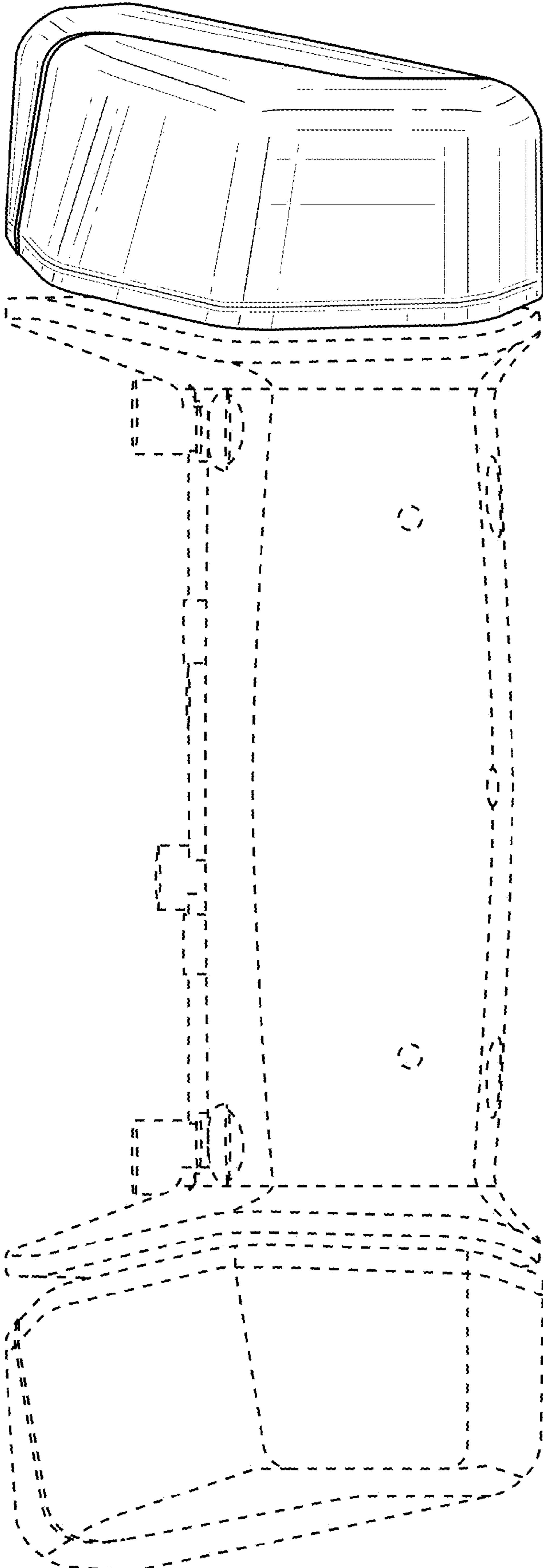


FIG. 6

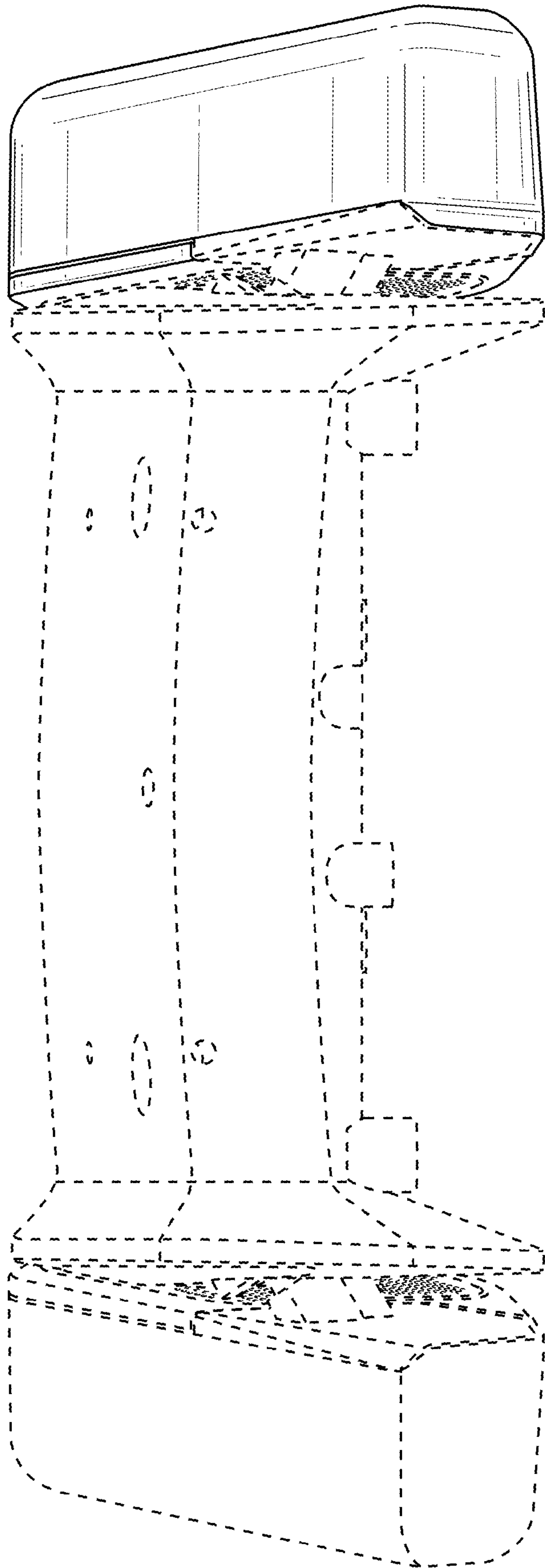


FIG. 7