



US00D983158S

(12) **United States Design Patent** (10) **Patent No.:** **US D983,158 S**
Corley et al. (45) **Date of Patent:** **** Apr. 11, 2023**

(54) **COMMUNICATION DEVICE HOUSING**

D593,078 S 5/2009 Sato et al.
D654,016 S * 2/2012 Neidhart D13/103
D698,272 S 1/2014 Burstein et al.
(Continued)

(71) Applicant: **BlackBerry Limited**, Waterloo (CA)

(72) Inventors: **Cortez Corley**, Waterloo (CA); **Joseph Orais Santiago**, St. Thomas (CA); **Ying Tong Man**, Waterloo (CA); **Scott Leonard Dill**, Paris (CA)

FOREIGN PATENT DOCUMENTS

EM 005632791-0001 * 9/2018

(73) Assignee: **BlackBerry Limited**, Waterloo (CA)

OTHER PUBLICATIONS

BlackBerry Radar H2: Innovative Asset Tracking Made Easy, May 5, 2020, [retrieved Jul. 28, 2022], Retrieved from Internet, URL: <<https://www.youtube.com/watch?v=Y8dOnzd-Y5M>> (Year: 2020).*

(**) Term: **15 Years**

(Continued)

(21) Appl. No.: **29/683,836**

(22) Filed: **Mar. 15, 2019**

Primary Examiner — Barbara Fox

(51) **LOC (14) Cl.** **14-03**

Assistant Examiner — Aram Kwon

(52) **U.S. Cl.**

(74) *Attorney, Agent, or Firm* — Conley Rose, P.C.; J. Robert Brown, Jr.

USPC **D14/188**

(58) **Field of Classification Search**

(57) **CLAIM**

USPC D14/155–159, 160–173, 187–188,
D14/189–198, 203.1–203.8, 204–216,
D14/217–222, 224–229, 257–258, 496,
D14/498–506; D6/672–673, 675.1, 682;
D13/103, 110, 112, 122

The ornamental design for a communication device housing, as shown and described.

CPC H04R 1/02; H04R 1/021; H04R 1/025;
H04R 1/026; H04R 1/028; H04R 1/06;
H04R 1/105; H04R 1/323; H04R 1/403;
H04R 1/2803; H04R 1/2834

DESCRIPTION

See application file for complete search history.

FIG. 1 is a front perspective view of a communication device housing in accordance with the new design;
FIG. 2 is a front elevation view thereof;
FIG. 3 is a rear elevation view thereof;
FIG. 4 is a right side view thereof;
FIG. 5 is a left side view thereof;
FIG. 6 is a top view thereof;
FIG. 7 is a bottom view thereof; and,
FIG. 8 is a perspective view of the communication device housing shown in an environment of use.

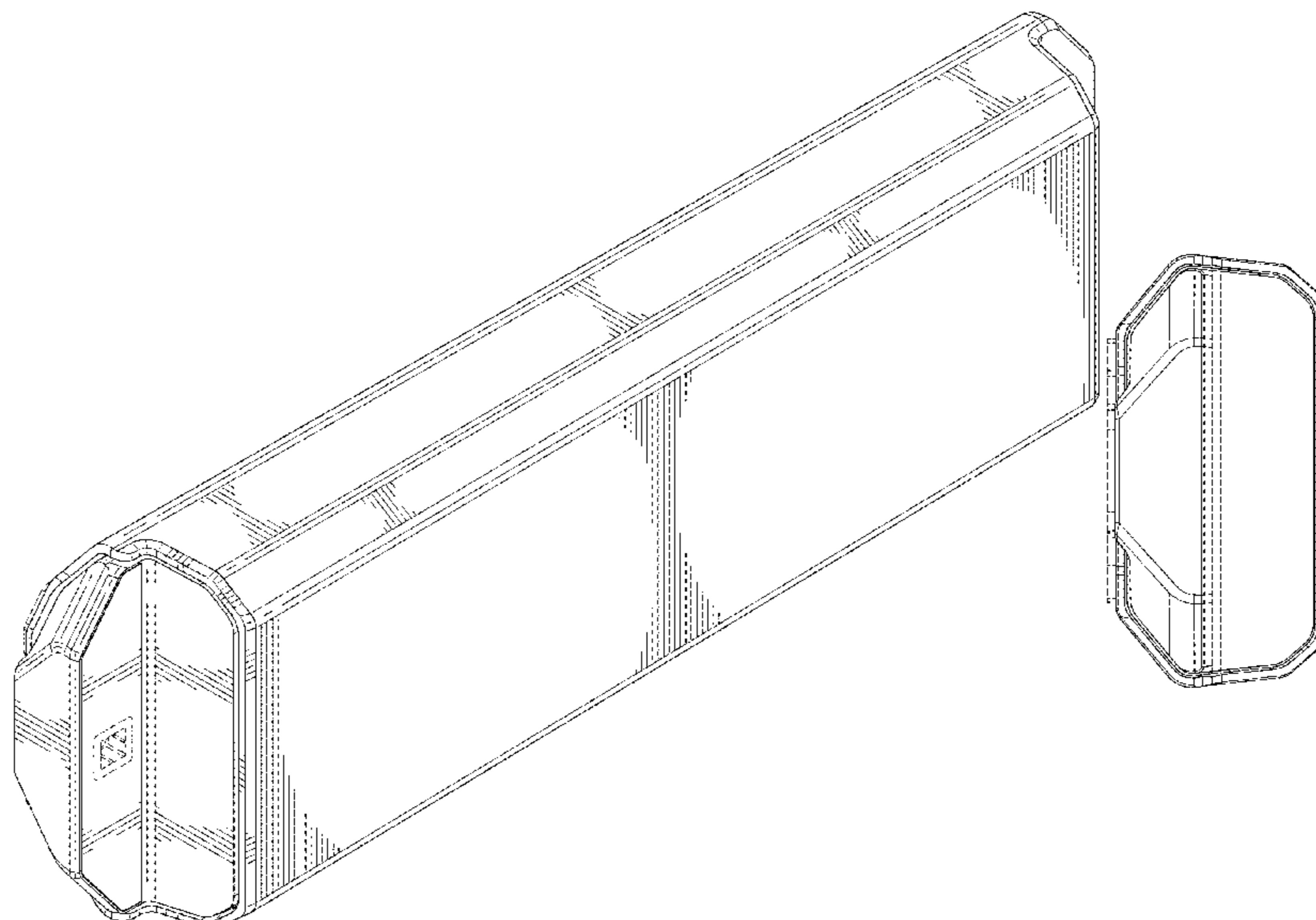
The broken lines in FIGS. 1-8 depict portions of the communication device housing that form no part of the claimed design. The broken lines around the communication device housing in FIG. 8 depict environment structure that form no part of the claimed design.

(56) **References Cited**

U.S. PATENT DOCUMENTS

D273,786 S 5/1984 Owerko
D332,261 S * 1/1993 Mischenko D14/137
D340,930 S * 11/1993 Christie D14/214
D349,119 S * 7/1994 Eberle D14/188
D356,551 S * 3/1995 Ahn D13/110
D368,466 S * 4/1996 Ahn D13/110
D525,198 S 7/2006 Ikeda et al.

1 Claim, 6 Drawing Sheets



(56)

References Cited

U.S. PATENT DOCUMENTS

D773,330 S 12/2016 Dietz et al.
D778,750 S 2/2017 Phillips et al.
D798,757 S 10/2017 Corley et al.
D808,938 S 1/2018 Gomez
D827,569 S * 9/2018 Roberts D13/103
D835,574 S * 12/2018 Trongone D13/103
D838,203 S 1/2019 Corley et al.
D843,862 S 3/2019 Bellows et al.
D850,941 S 6/2019 Israni
D863,250 S * 10/2019 Liu D14/188
D868,035 S 11/2019 Andersson et al.
D871,377 S 12/2019 Wechselberger
D875,086 S 2/2020 Ahman et al.
D877,126 S 3/2020 DeCastro et al.
D901,462 S 11/2020 Oba
D936,581 S * 11/2021 Chao D13/110
D954,017 S * 6/2022 Mitsunaga D14/188
2005/0225489 A1 10/2005 Aizawa et al.
2017/0251305 A1 * 8/2017 Fathollahi H04R 1/025

OTHER PUBLICATIONS

Notice of Allowance dated Apr. 6, 2021; Design U.S. Appl. No. 29/689,363, filed Apr. 29, 2019; 13 pages.

Corley, Cortez, et al.; Design U.S. Appl. No. 29/689,363; filed Apr. 29, 2019; Title: Radar Cargo Accessory Housing; 33 pages.

* cited by examiner

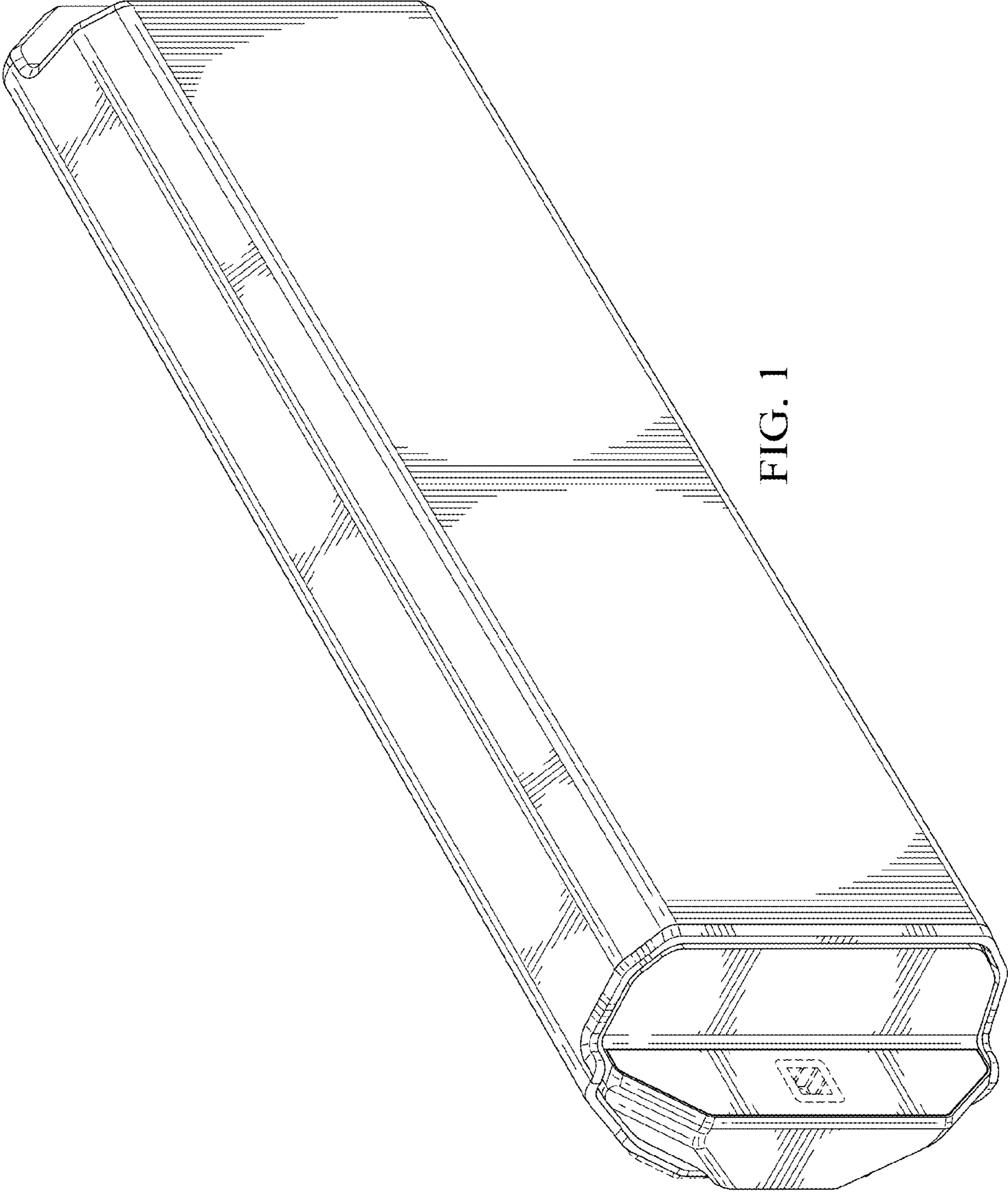


FIG. 1

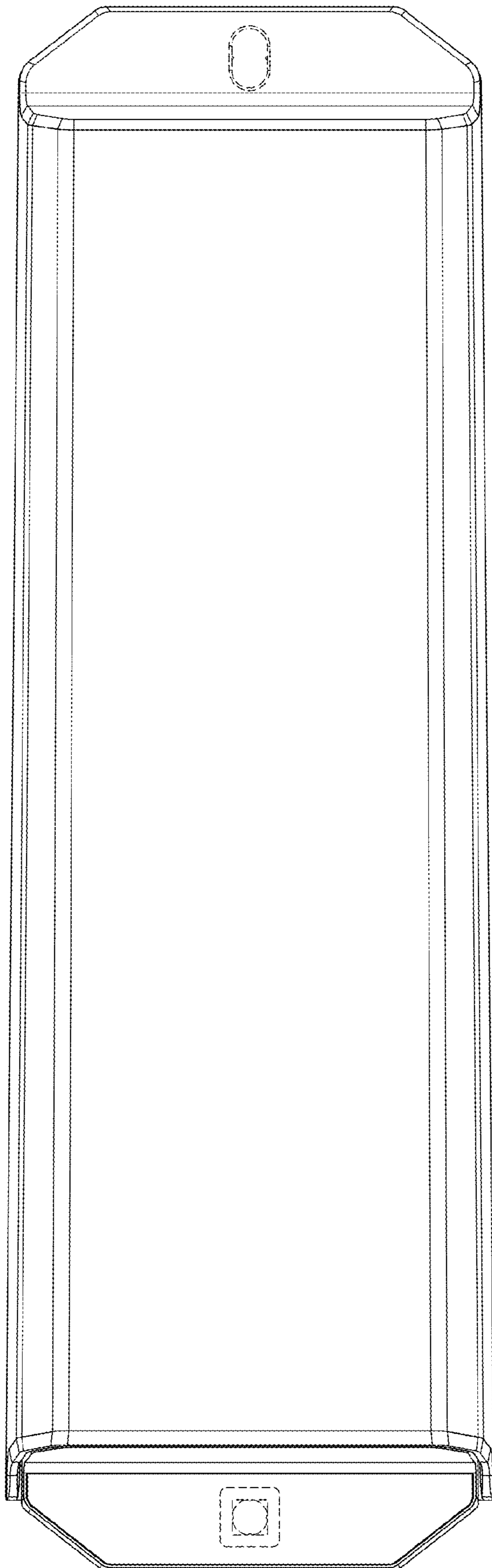


FIG. 2

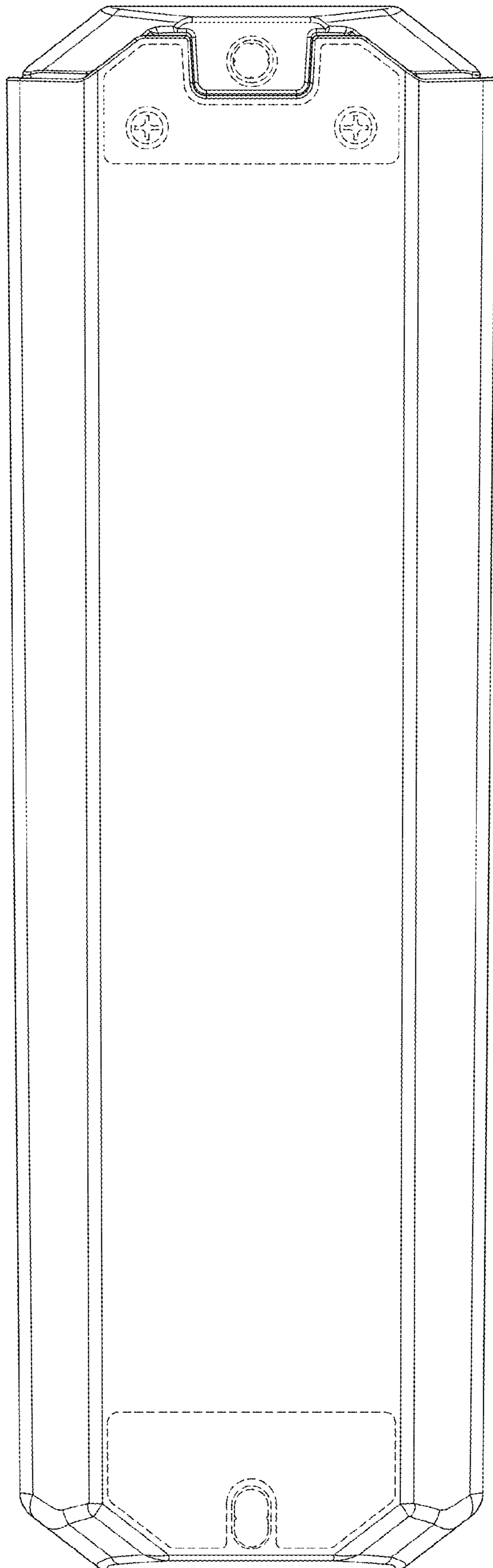


FIG. 3

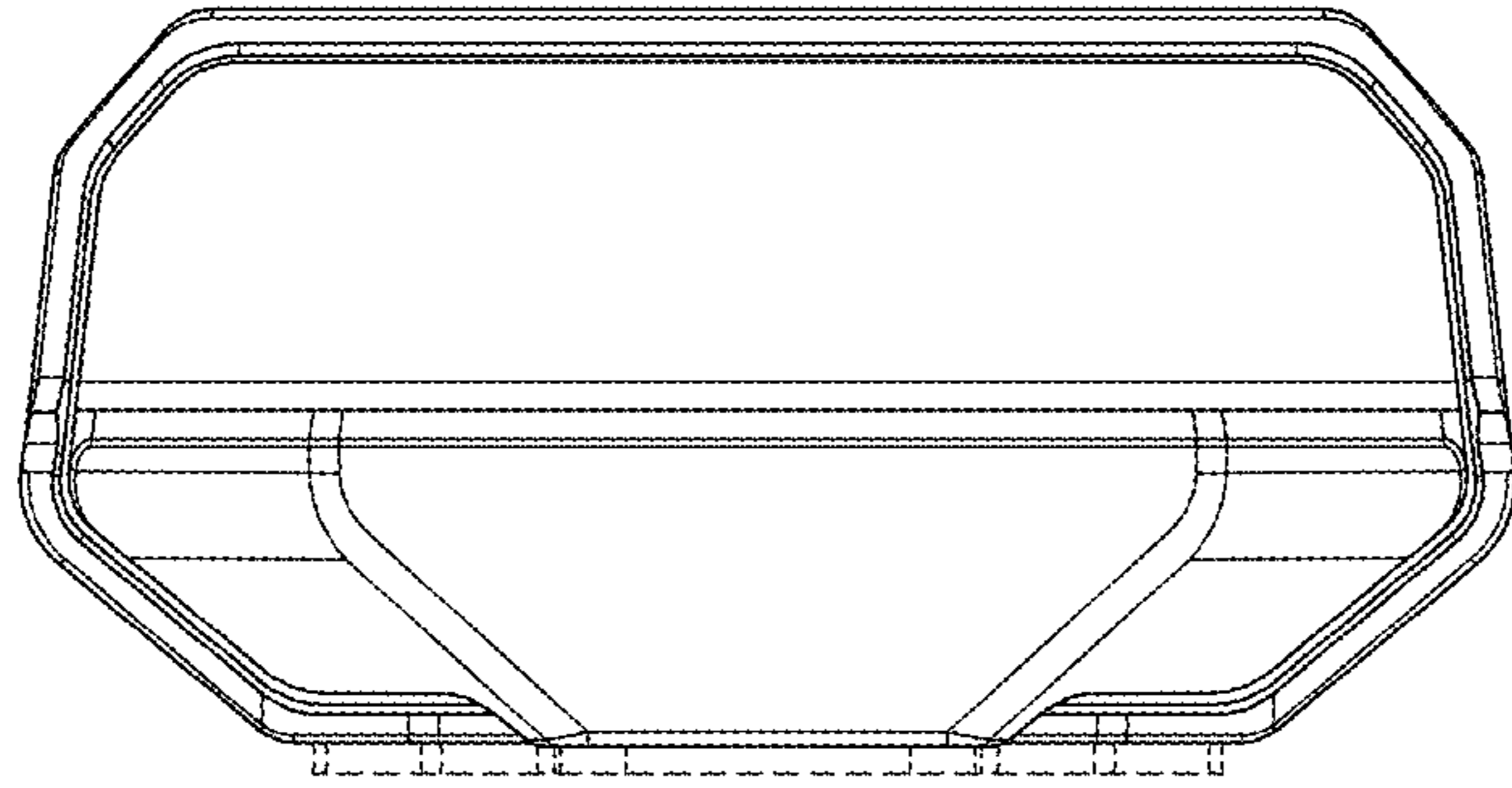


FIG. 5

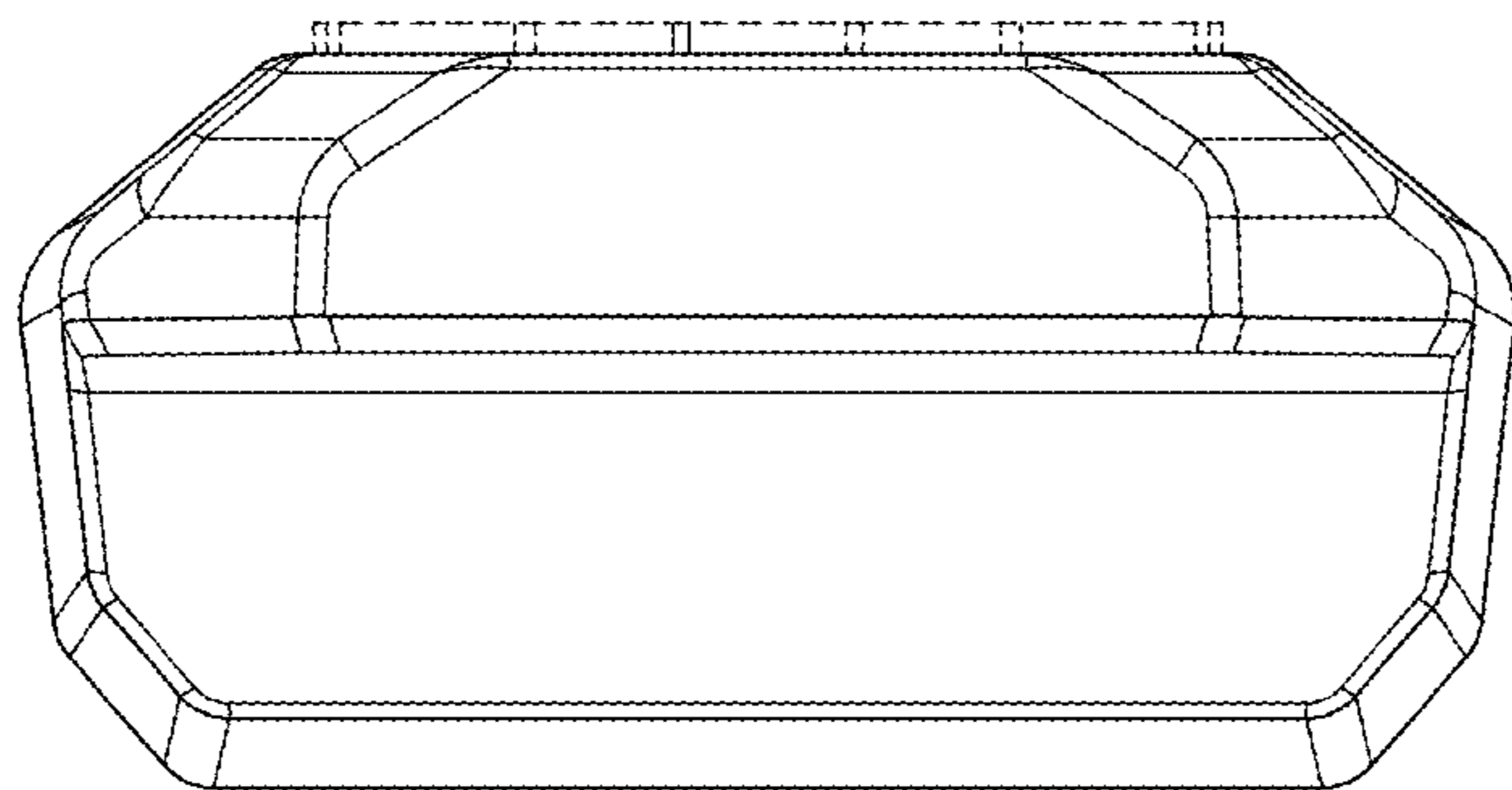


FIG. 4

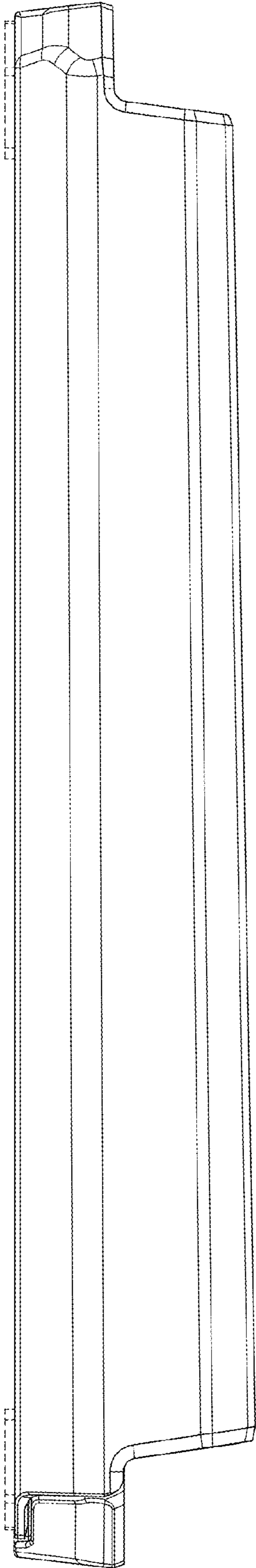


FIG. 6

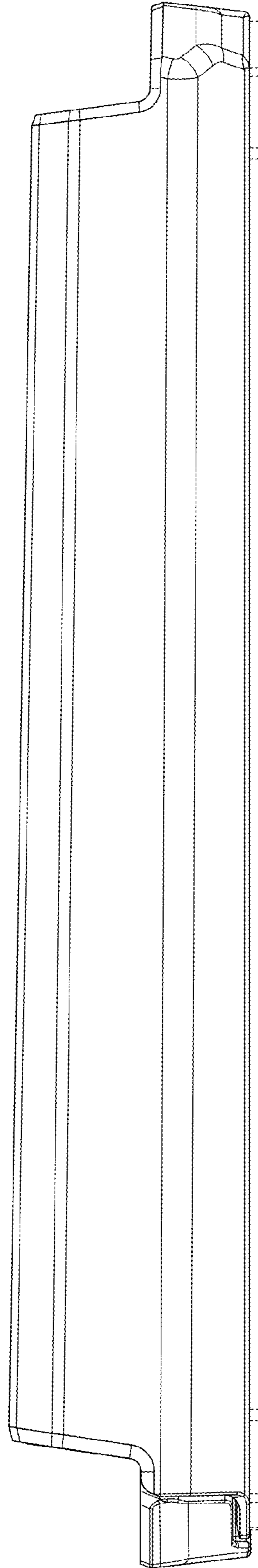


FIG. 7

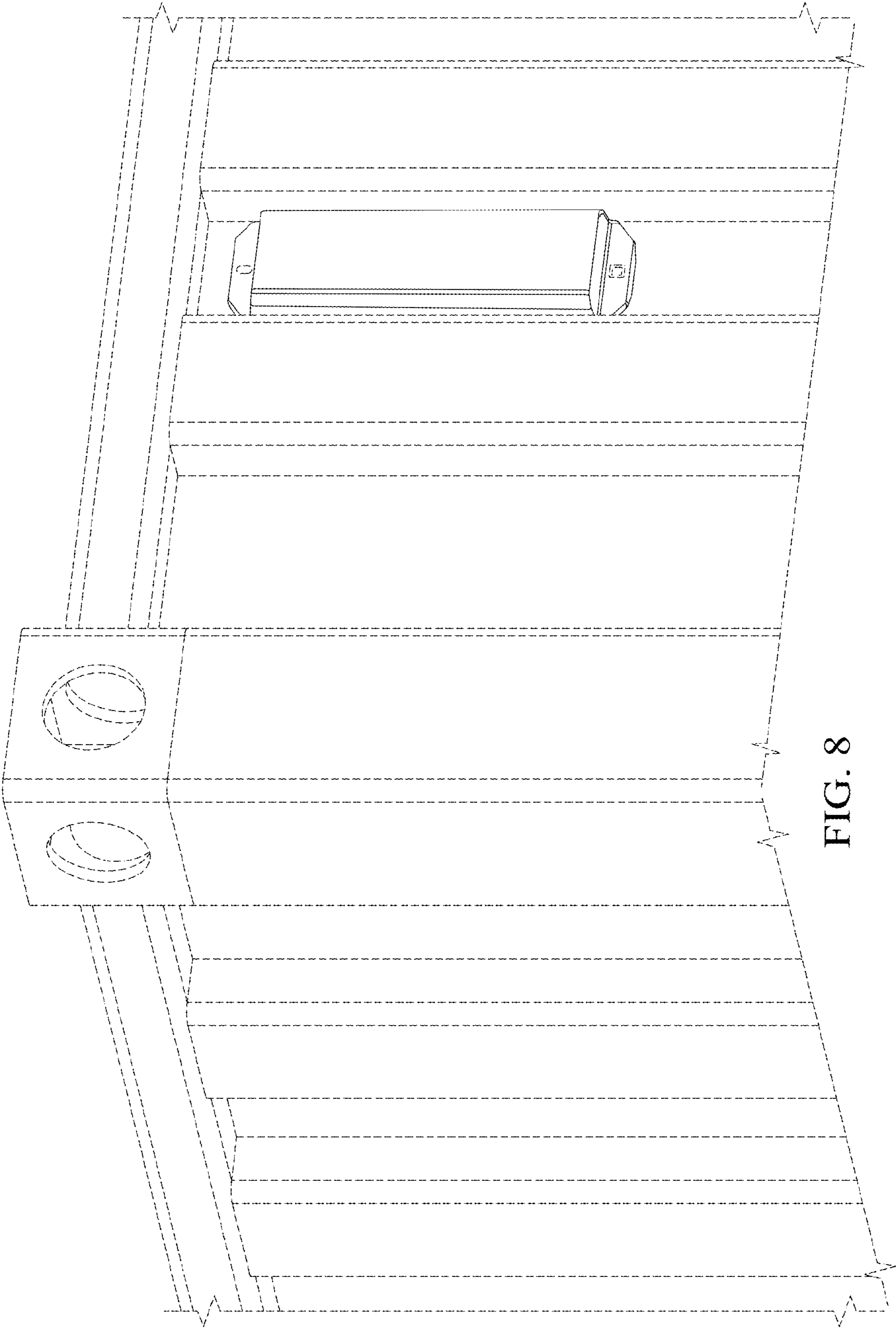


FIG. 8