



US00D983154S

(12) **United States Design Patent**
Wei et al.

(10) **Patent No.:** **US D983,154 S**
(45) **Date of Patent:** **** Apr. 11, 2023**

(54) **MOBILE PHONE**

(71) Applicant: **OnePlus Technology (Shenzhen) Co., Ltd.**, Shenzhen (CN)

(72) Inventors: **Bo Wei**, Shenzhen (CN); **Haoran Liu**, Shenzhen (CN); **Mingjie Tang**, Shenzhen (CN); **Xueguang Tao**, Shenzhen (CN)

(73) Assignee: **ONEPLUS TECHNOLOGY (SHENZHEN) CO., LTD.**, Shenzhen (CN)

(**) Term: **15 Years**

(21) Appl. No.: **29/808,336**

(22) Filed: **Sep. 17, 2021**

(30) **Foreign Application Priority Data**

Mar. 18, 2021 (CN) 202130147651.4

(51) **LOC (14) Cl.** **14-03**

(52) **U.S. Cl.**
USPC **D14/138 G**

(58) **Field of Classification Search**
USPC D14/138 G, 138 AD, 138 AB, 248, 341, D14/345, 439, 432, 371, 374, 138 R, D14/138 AA, 138 AC, 138 C

(Continued)

(56) **References Cited**

U.S. PATENT DOCUMENTS

D577,350 S * 9/2008 Bang D14/138 G

D577,703 S * 9/2008 Lee D14/138 G

(Continued)

FOREIGN PATENT DOCUMENTS

CN 307010844 * 12/2021

CN 307448336 * 7/2022

OTHER PUBLICATIONS

Tecno Spark Go 2022, announced Dec. 29, 2021, [online], [retrieved on Jan. 3, 2023]. Retrieved from Internet ,<URL: http://www.gsmarena.com>.*

Primary Examiner — Bridget L Eland

(74) *Attorney, Agent, or Firm* — Hodgson Russ LLP

(57) **CLAIM**

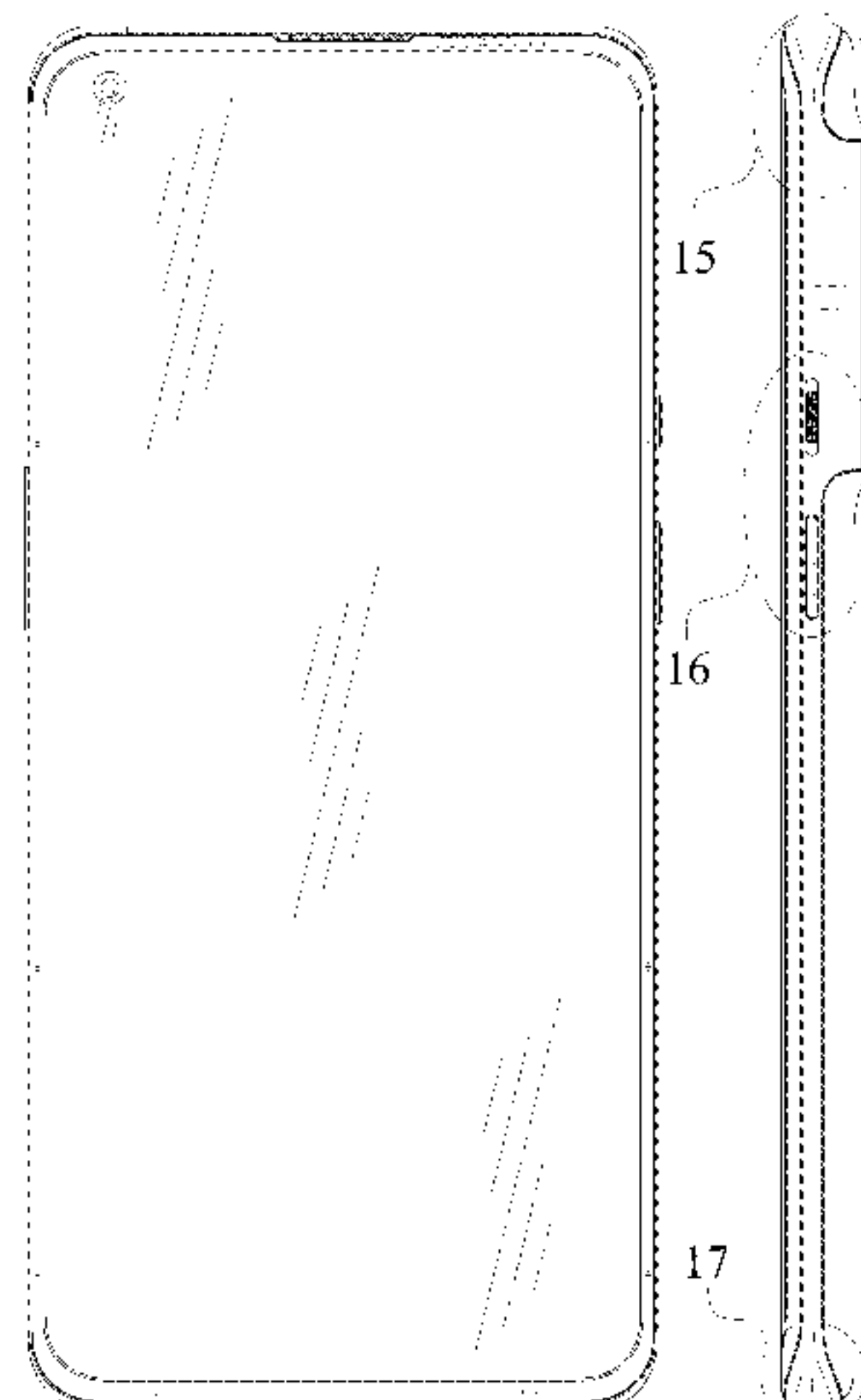
The ornamental design for a mobile phone, as shown and described.

DESCRIPTION

FIG. 1 is a perspective view of a mobile phone;
FIG. 2 is another perspective view thereof;
FIG. 3 is a front elevational view thereof;
FIG. 4 is a rear elevational view thereof;
FIG. 5 is a left side elevational view thereof;
FIG. 6 is a right side elevational view thereof;
FIG. 7 is an enlarged top plan view thereof;
FIG. 8 is an enlarged bottom plan view thereof;
FIG. 9 is an enlarged view of area 9 circumscribed in FIG. 1;
FIG. 10 is an enlarged view of area 10 circumscribed in FIG. 2;
FIG. 11 is an enlarged view of area 11 circumscribed in FIG. 2;
FIG. 12 is an enlarged view of area 12 circumscribed in FIG. 4;
FIG. 13 is an enlarged view of area 13 circumscribed in FIG. 5;
FIG. 14 is an enlarged view of area 14 circumscribed in FIG. 5;
FIG. 15 is an enlarged view of area 15 circumscribed in FIG. 6;
FIG. 16 is an enlarged view of area 16 circumscribed in FIG. 6; and,
FIG. 17 is an enlarged view of area 17 circumscribed in FIG. 6.

The broken lines consisting of evenly spaced short dash lines in the drawings depict portions of the mobile phone that form no part of the claimed design.

(Continued)



The broken lines consisting of long and short dash lines in the drawings depict the boundaries of the enlarged views and form no part of the claimed design.
The oblique shade lines in the drawings show transparency.

1 Claim, 17 Drawing Sheets

(58) Field of Classification Search

CPC H04M 1/0202; H04M 1/0235; H04M 1/0237; H04M 1/0239; H04M 1/0266; H04M 1/0268; H04M 1/027; H04M 1/0295; H04M 1/02; H04M 1/0279; H04M 1/0283

See application file for complete search history.

(56) References Cited

U.S. PATENT DOCUMENTS

D578,983 S * 10/2008 Bang D14/138 G

D579,902 S * 11/2008 Kim D14/138 G
D681,599 S * 5/2013 Kim D14/138 G
D709,472 S * 7/2014 Seo D14/138 G
D715,282 S * 10/2014 Chang D14/248
D724,571 S * 3/2015 Choi D14/248
D739,370 S * 9/2015 Chang D14/138 G
D739,371 S * 9/2015 Seo D14/138 G
D740,795 S * 10/2015 Chang D14/248
D824,874 S * 8/2018 You D14/138 G
D833,407 S * 11/2018 Kim D14/138 G
D866,496 S * 11/2019 Kim D14/138 G
D931,249 S * 9/2021 Kim D14/138 G
D940,721 S * 1/2022 Koo D14/439
D958,105 S * 7/2022 Cai D14/138 G
D958,768 S * 7/2022 Lee D14/138 G
D958,780 S * 7/2022 Choi D14/248
D961,542 S * 8/2022 Jang D14/138 G
D973,621 S * 12/2022 Hao D14/138 G

* cited by examiner

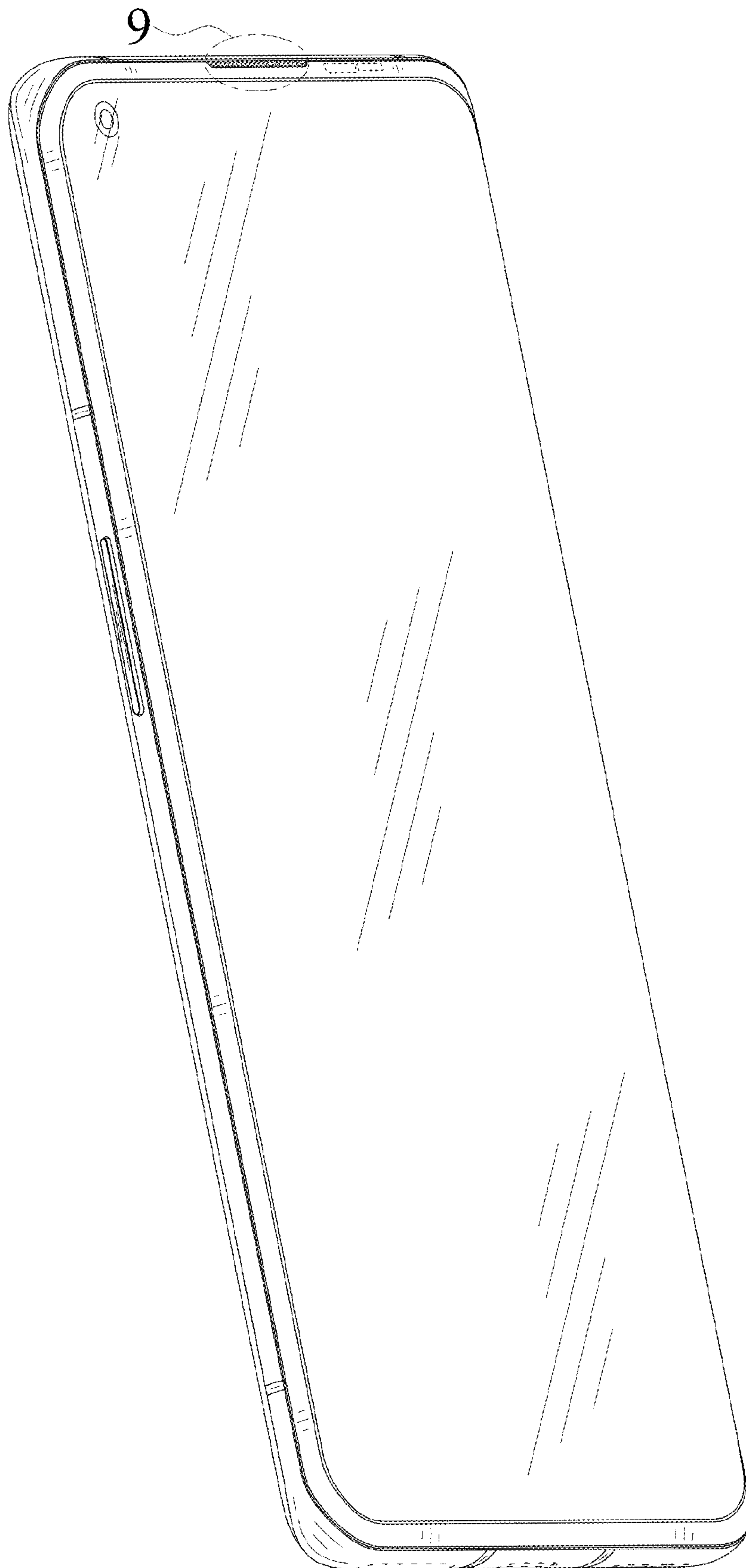


FIG. 1

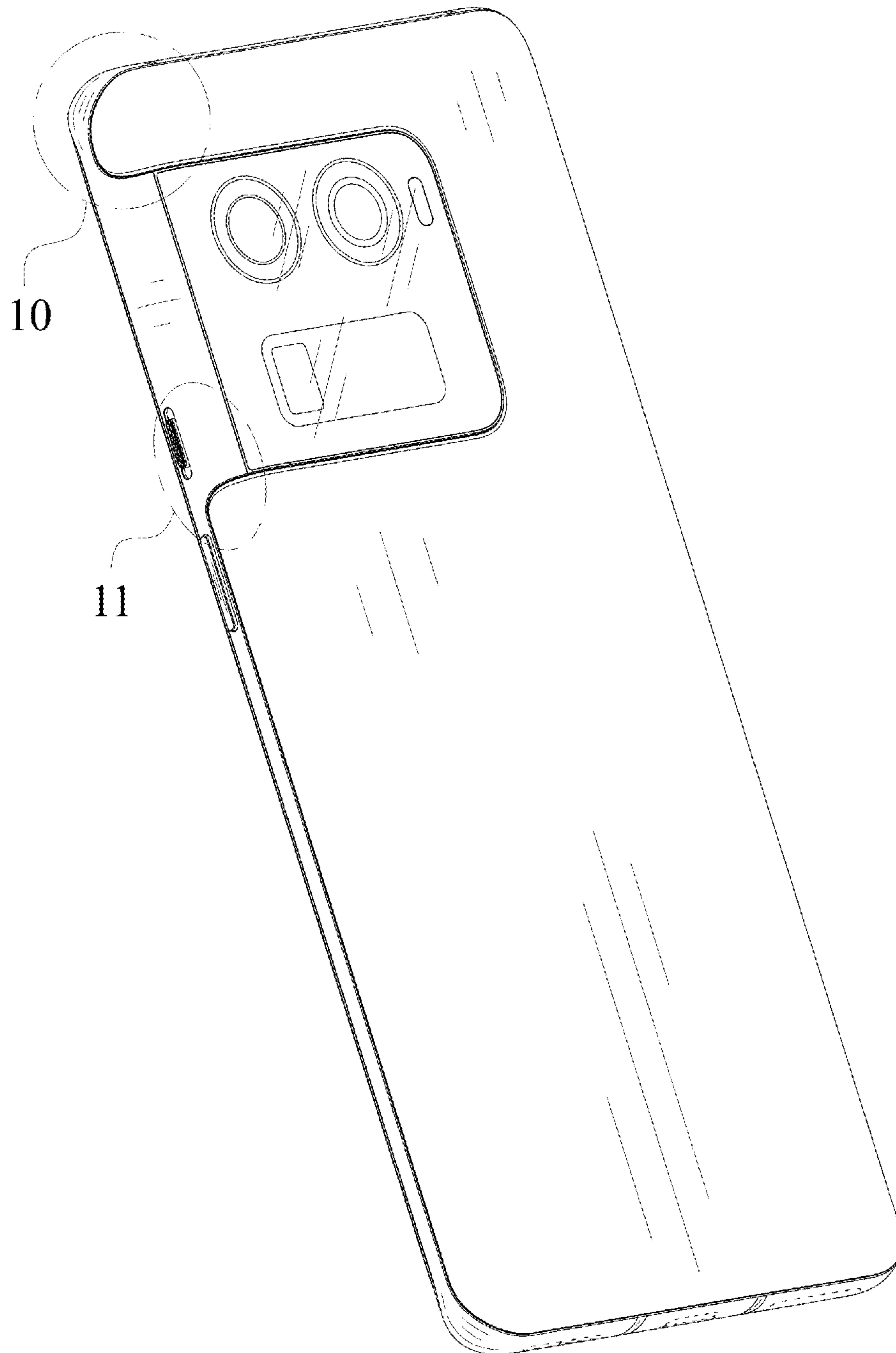


FIG. 2

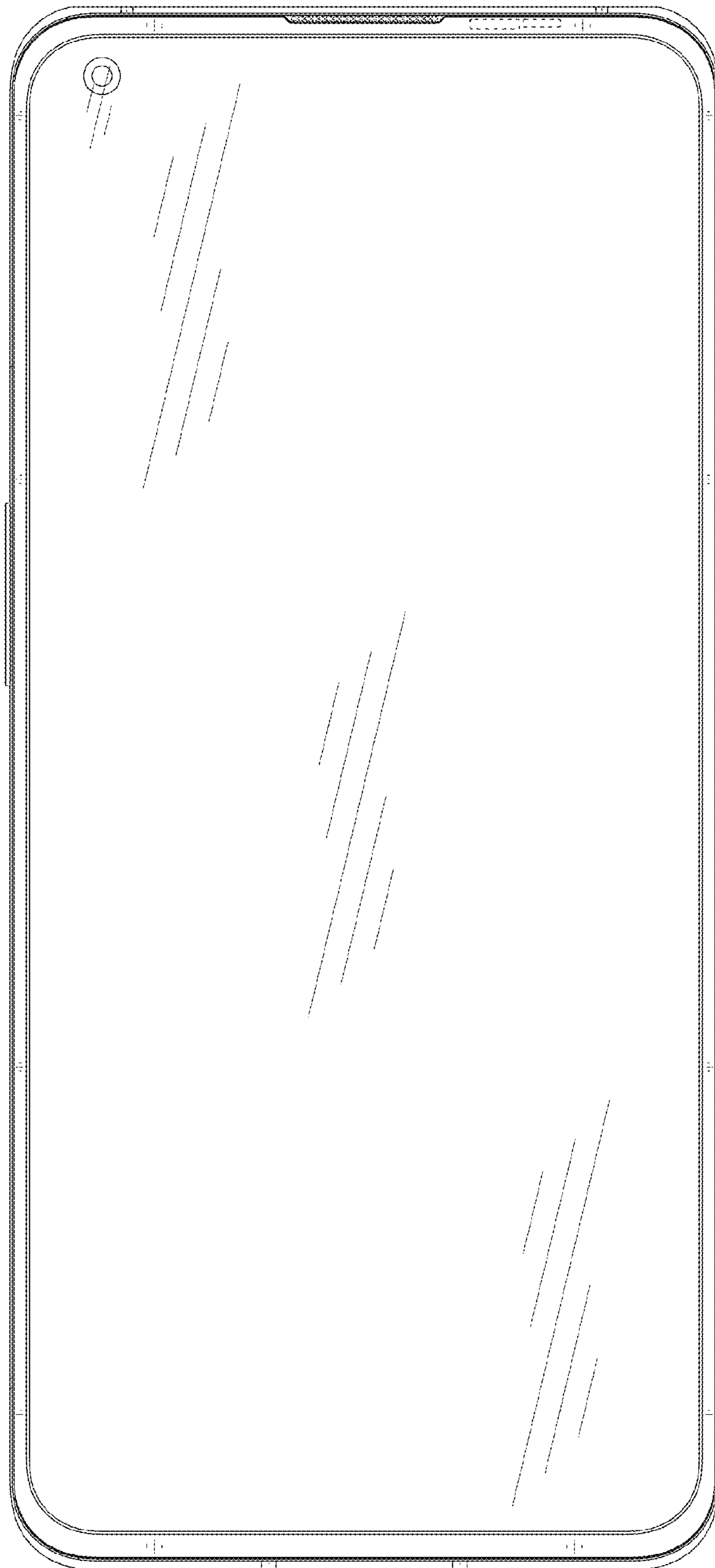


FIG. 3

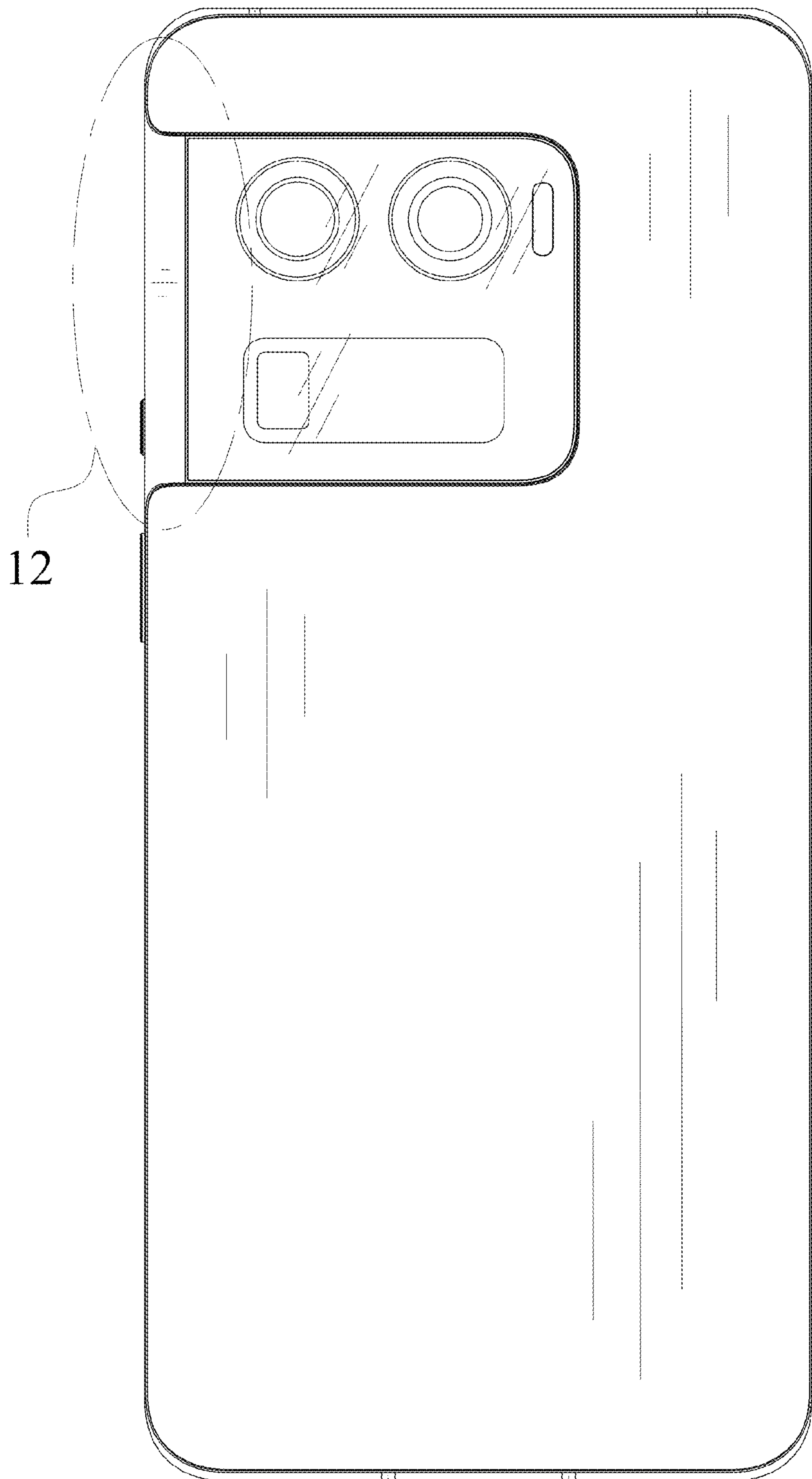


FIG. 4

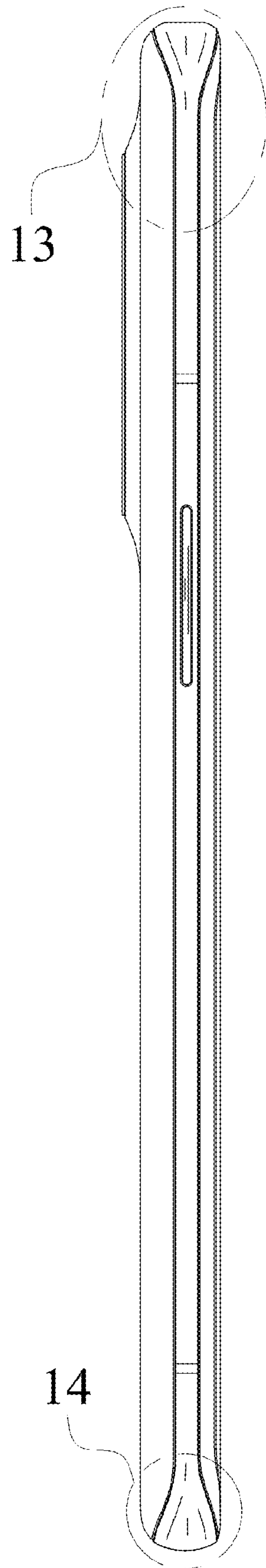


FIG. 5

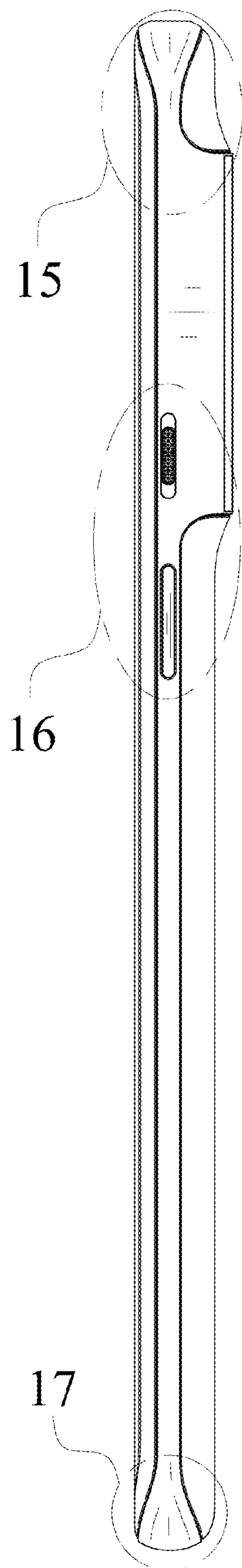


FIG. 6

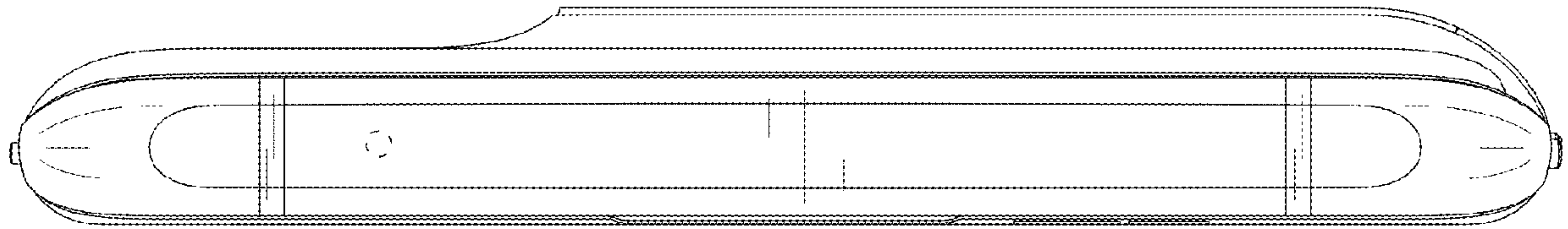


FIG. 7

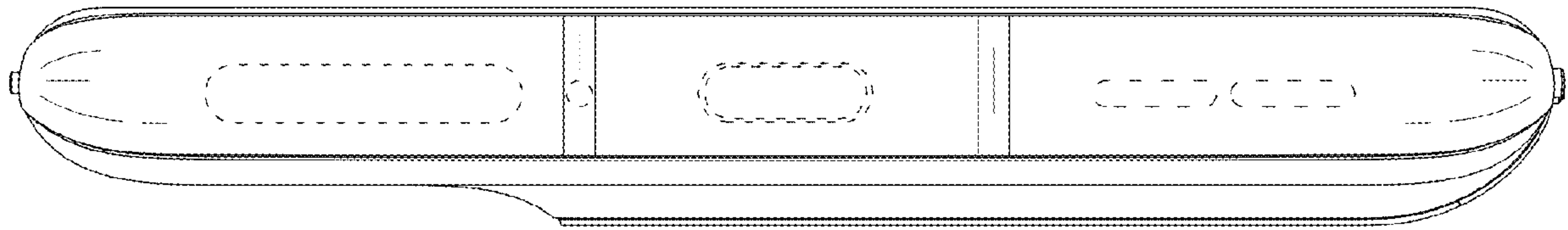


FIG. 8

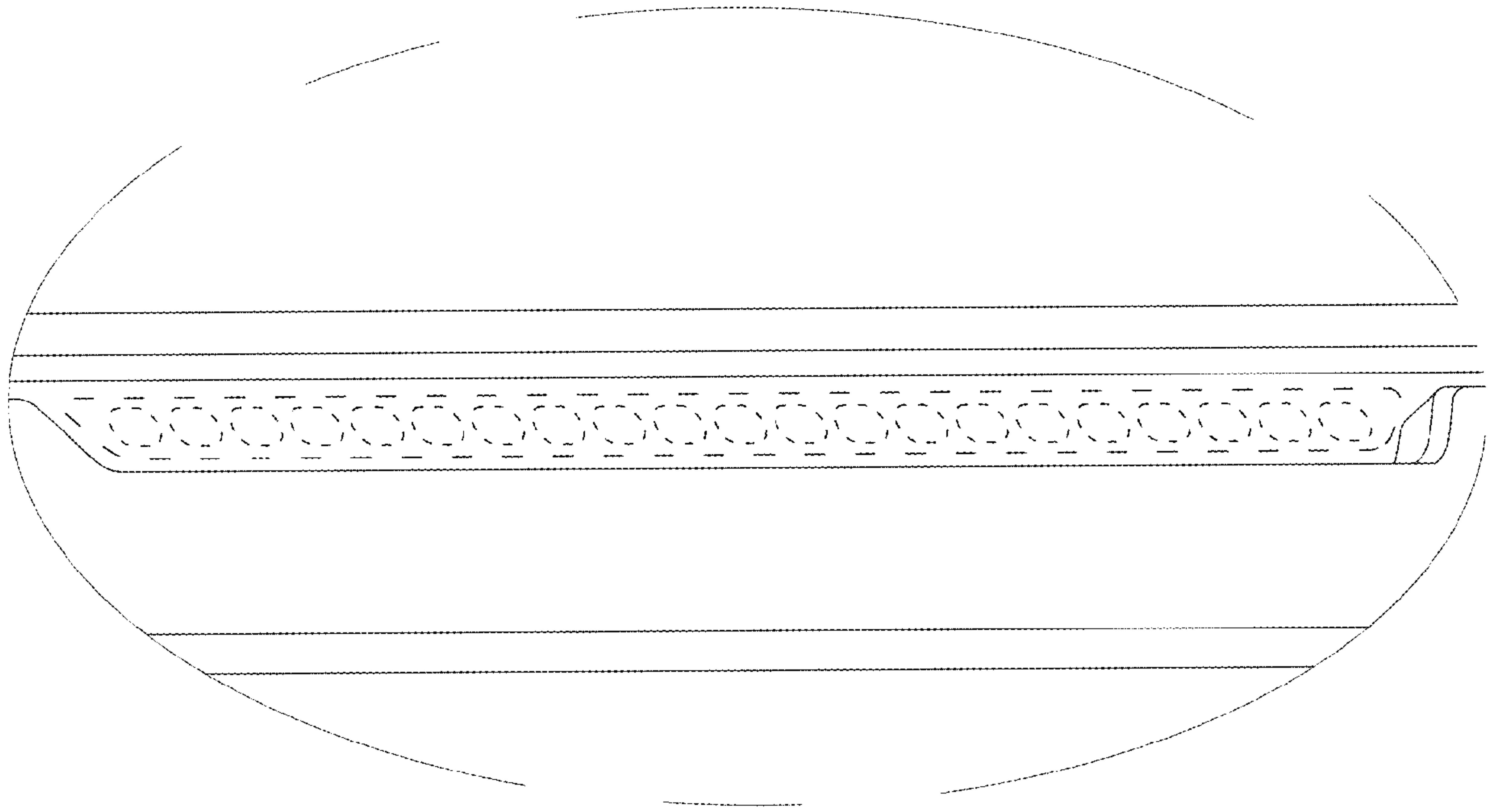


FIG. 9

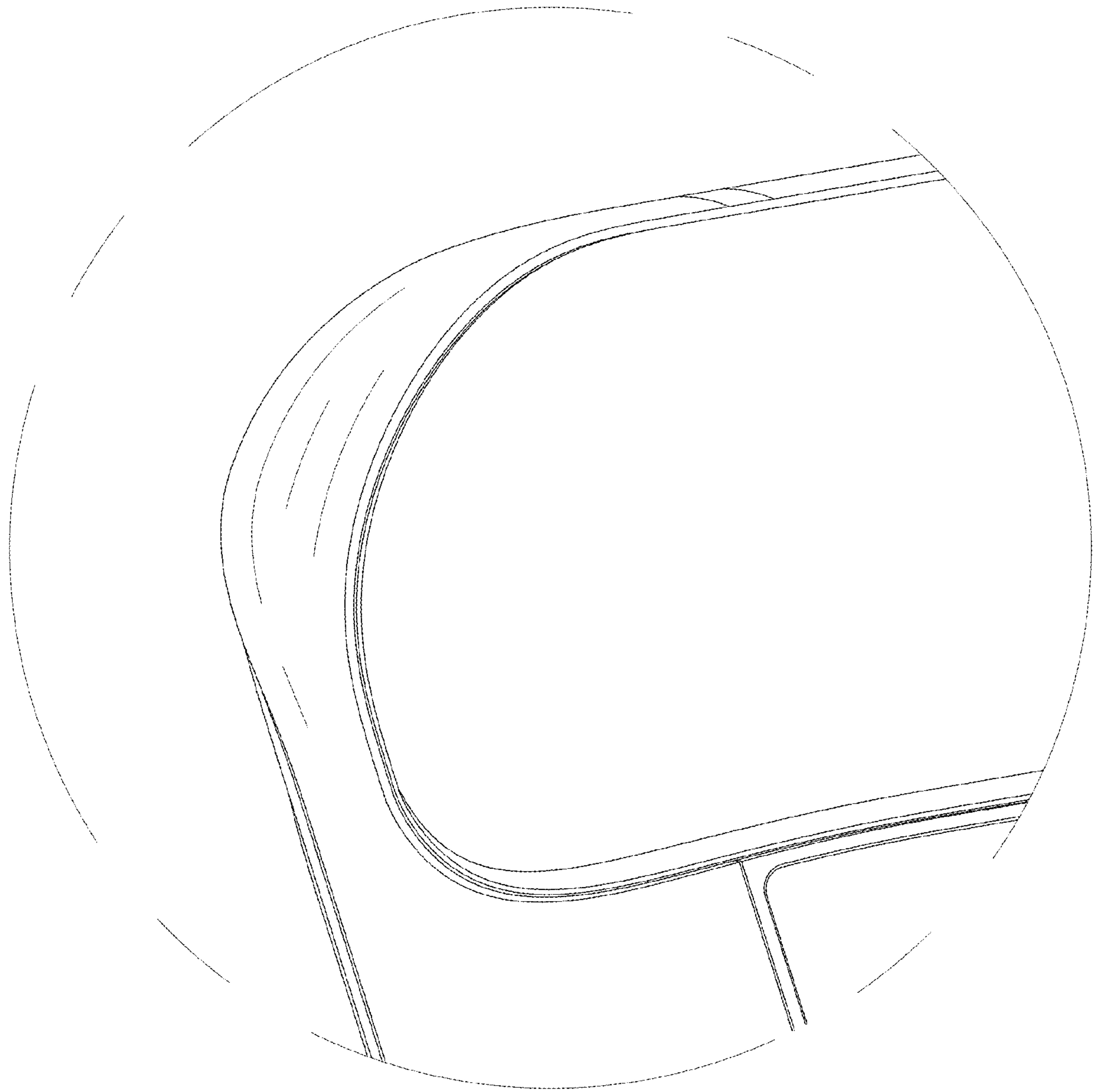


FIG. 10

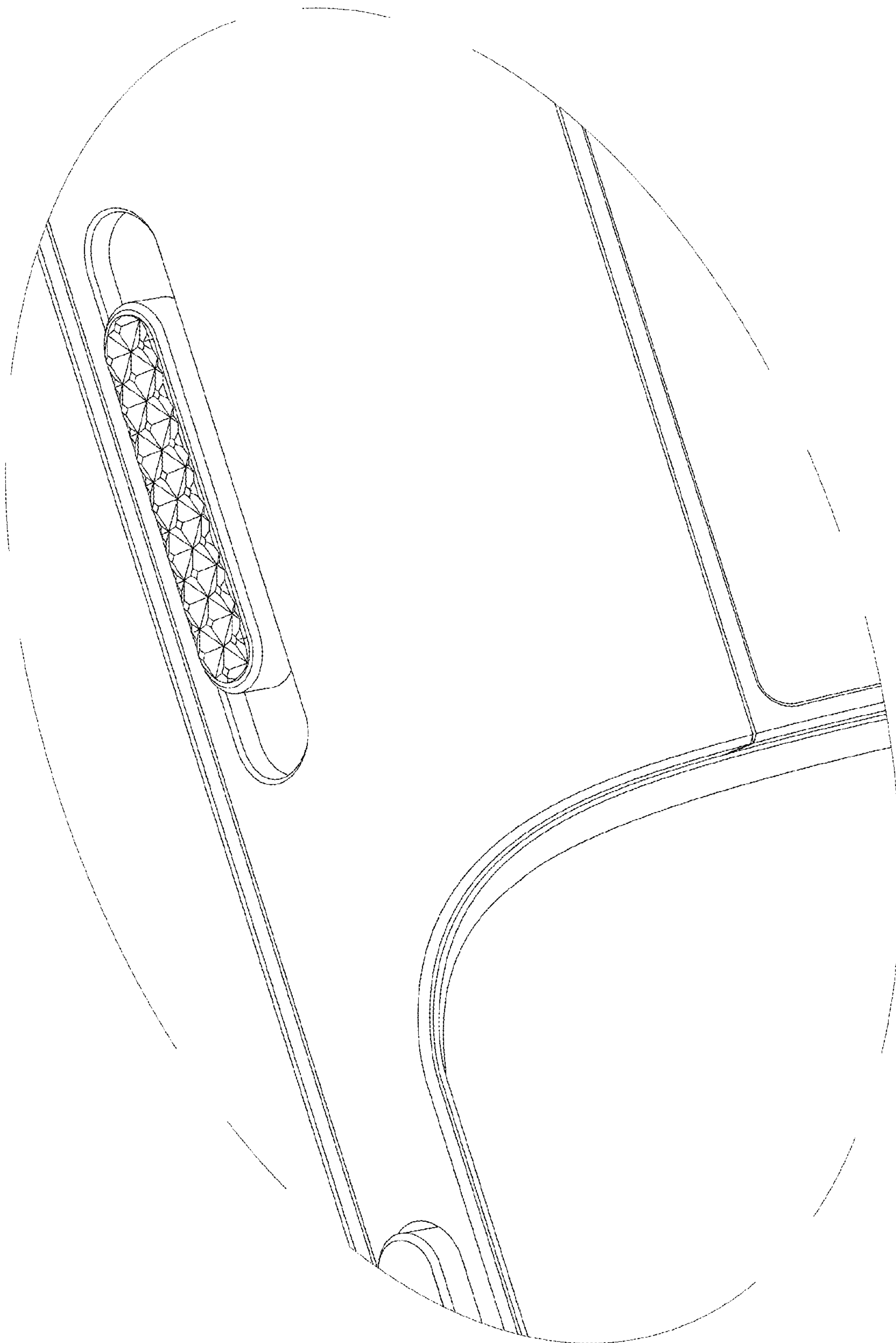


FIG. 11

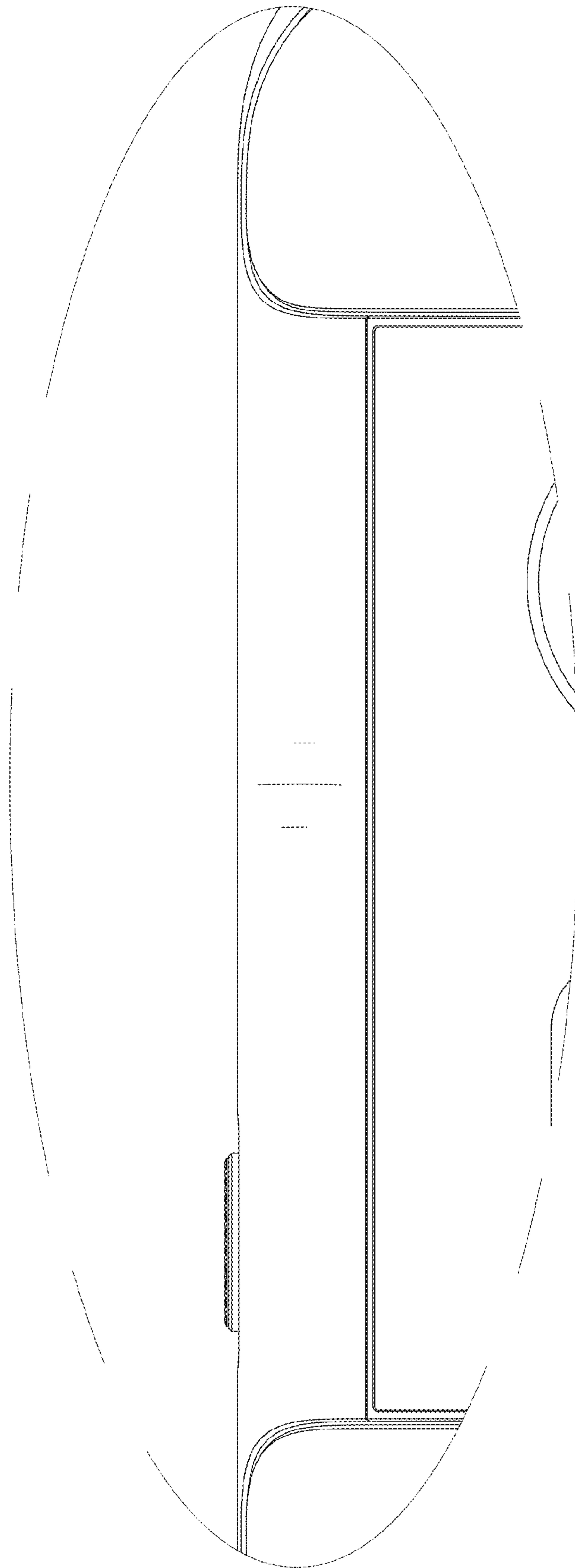


FIG. 12



FIG. 13

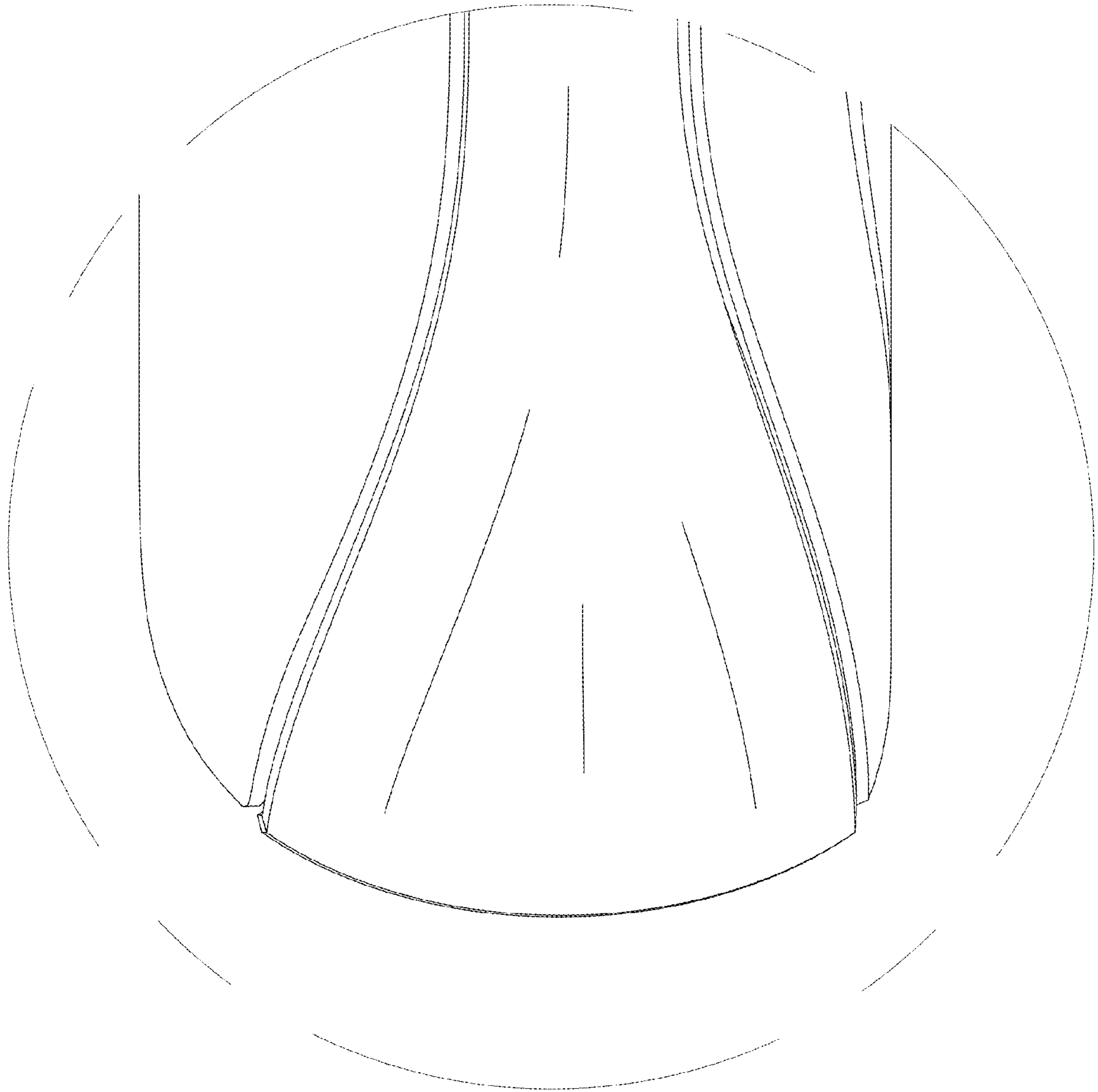


FIG. 14

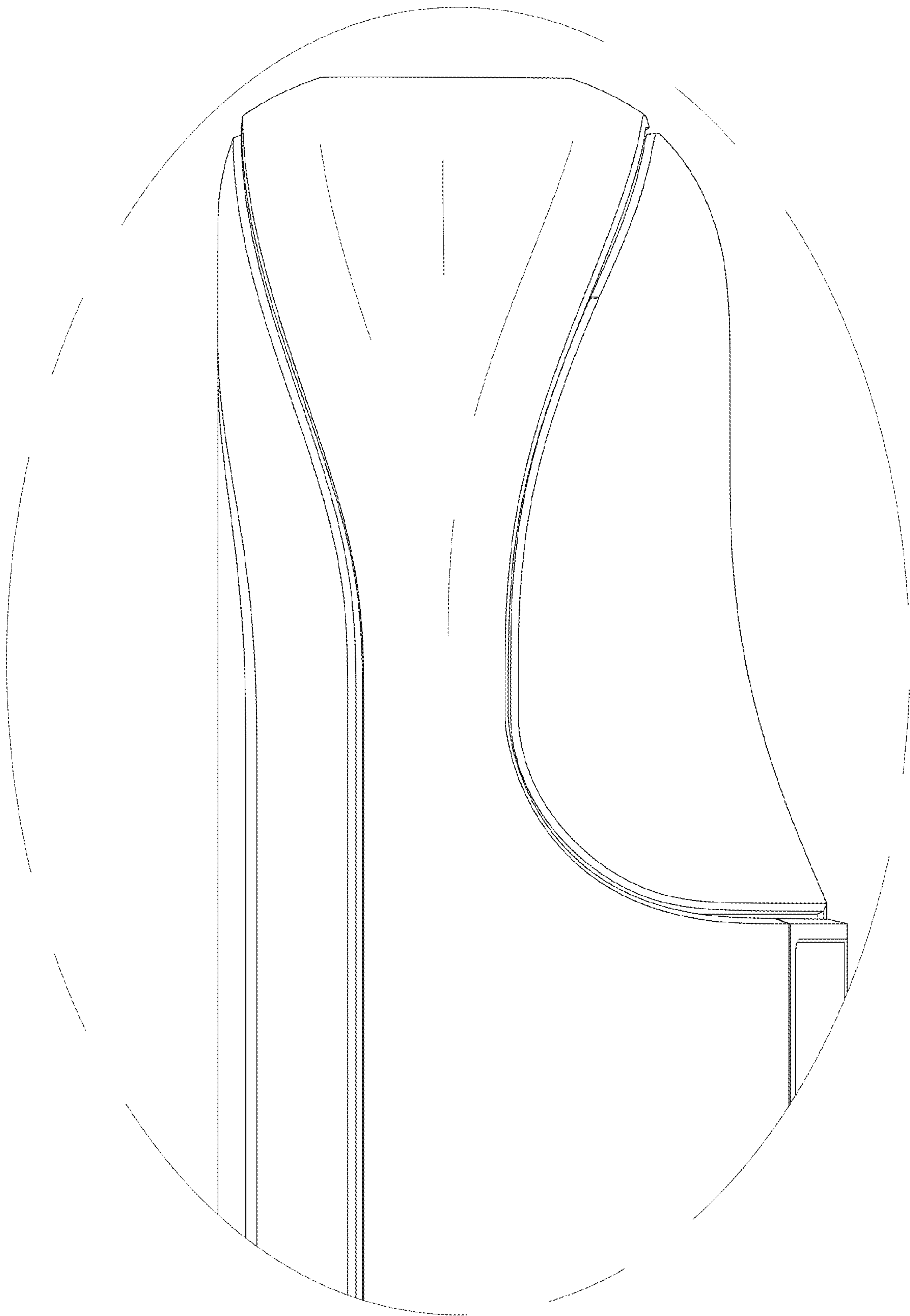


FIG. 15

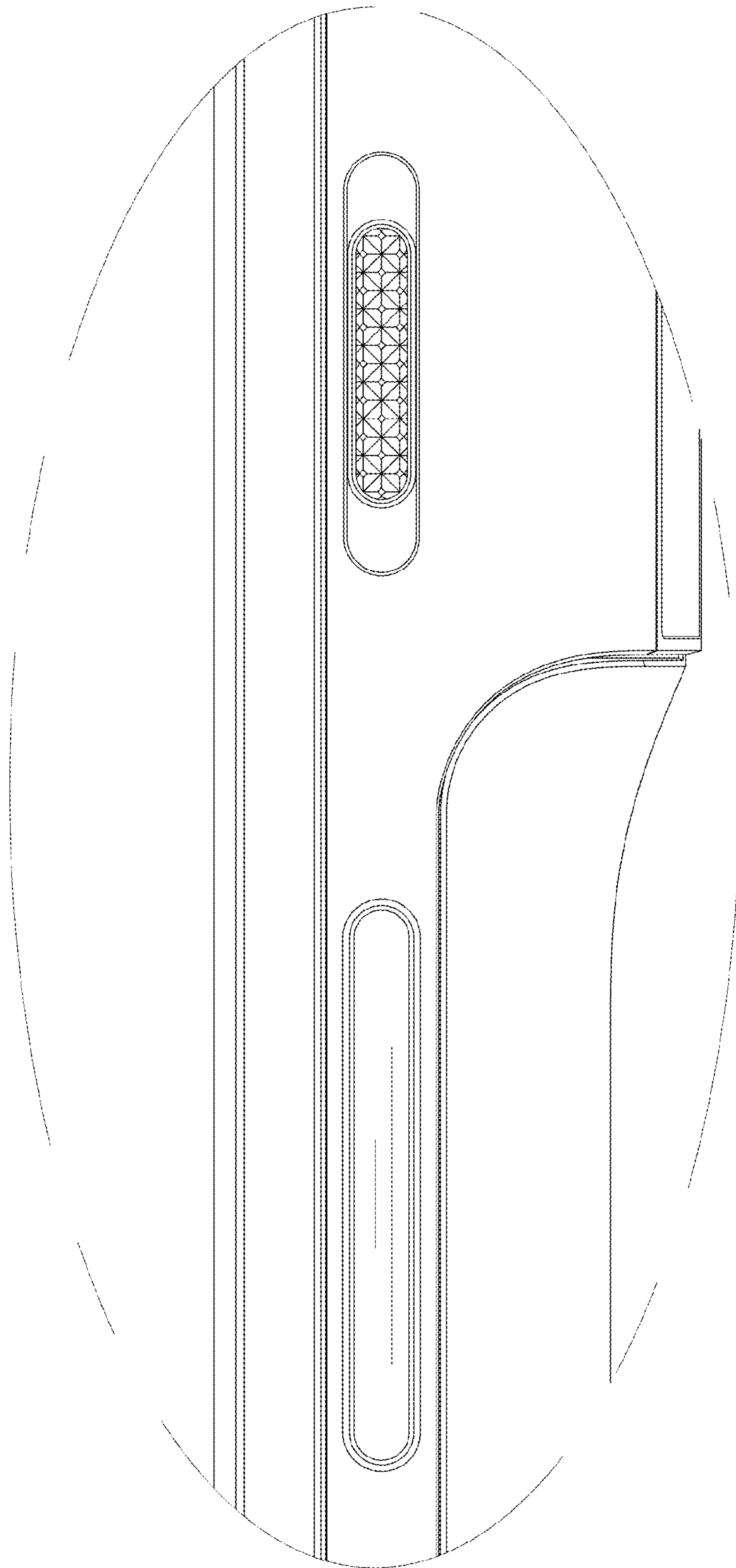


FIG. 16

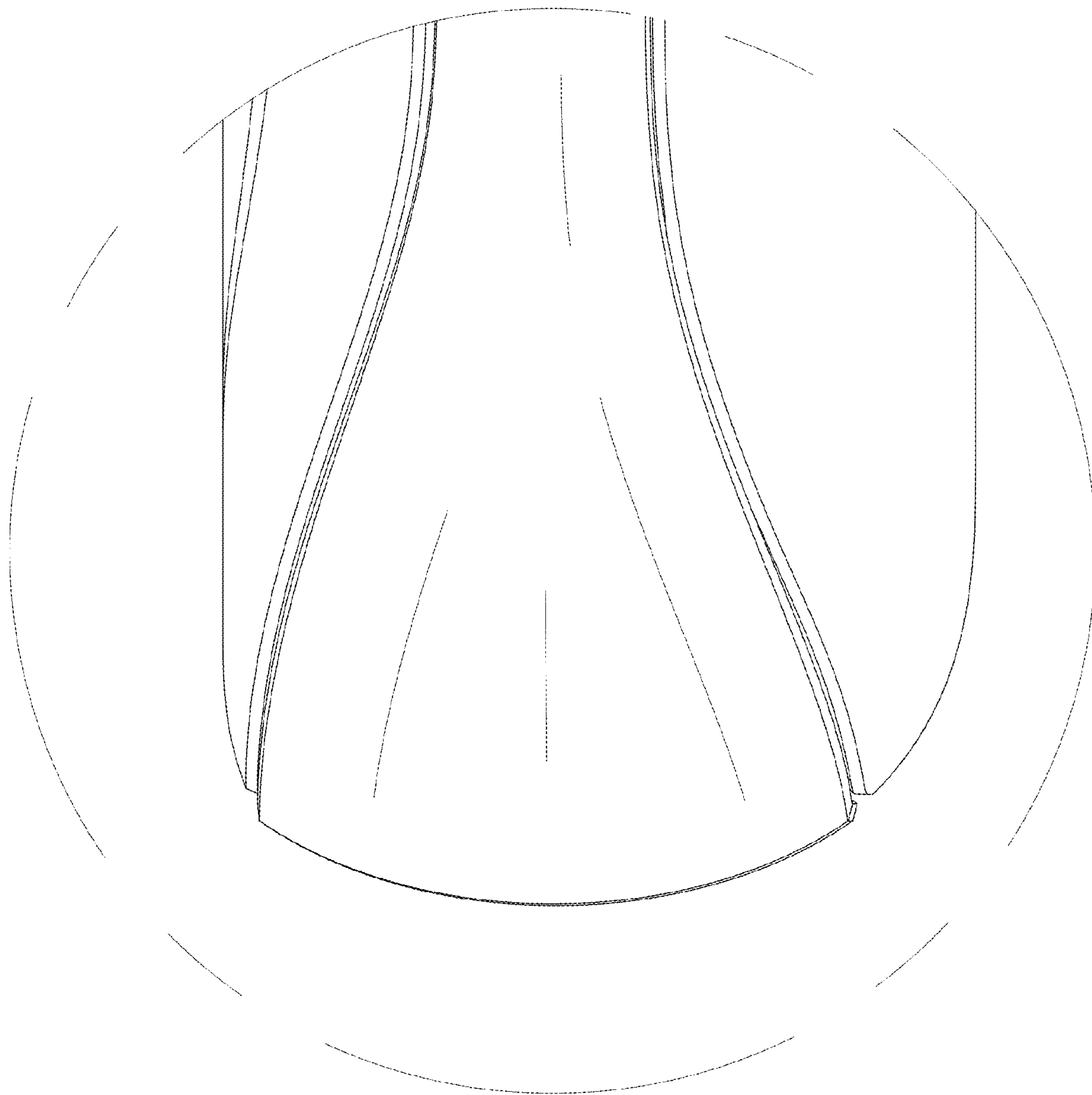


FIG. 17