



US00D983153S

(12) **United States Design Patent**
Chen et al.

(10) **Patent No.:** **US D983,153 S**
(45) **Date of Patent:** **** Apr. 11, 2023**

(54) **MOBILE PHONE**

(71) Applicant: **Power Idea Technology (Shenzhen) Co., Ltd.**, Shenzhen (CN)

(72) Inventors: **Dong-Ming Chen**, Shenzhen (CN);
Zhen-Yu Guo, Shenzhen (CN)

(73) Assignee: **Power Idea Technology (Shenzhen) Co., Ltd.**, Shenzhen (CN)

(**) Term: **15 Years**

(21) Appl. No.: **29/714,326**

(22) Filed: **Nov. 22, 2019**

(51) **LOC (14) Cl.** **14-03**

(52) **U.S. Cl.**
USPC **D14/138 AA**

(58) **Field of Classification Search**
USPC D14/138 AA, 341, 346, 203.7, 138 R,
D14/147, 148, 248; D21/517
CPC H04M 1/0202; H04M 1/03
See application file for complete search history.

(56) **References Cited**

U.S. PATENT DOCUMENTS

D376,989 S	*	12/1996	McCain	D10/78
D515,539 S	*	2/2006	Mai	D14/138 AA
D515,541 S	*	2/2006	Jensfelt	D14/138 AA
D543,967 S	*	6/2007	Peng	D14/138 AA
D602,456 S	*	10/2009	Aithal	D14/138 AA

(Continued)

FOREIGN PATENT DOCUMENTS

CN	303628256	*	3/2016
CN	303877372	*	10/2016

(Continued)

OTHER PUBLICATIONS

RG170 Smartphone with BT, WIFI, GSM . . . , External Photos, Poewer IDEa Technology, date available Sep. 24, 2019, [online],

[site visited Sep. 9, 2022]. Available from Internet, URL: <https://fccid.io/ZLE-RG170/External-Photos/external-photos-4472303> (Year: 2019).*

(Continued)

Primary Examiner — Jeffrey D Asch
(74) *Attorney, Agent, or Firm* — ScienBiziP, P.C.

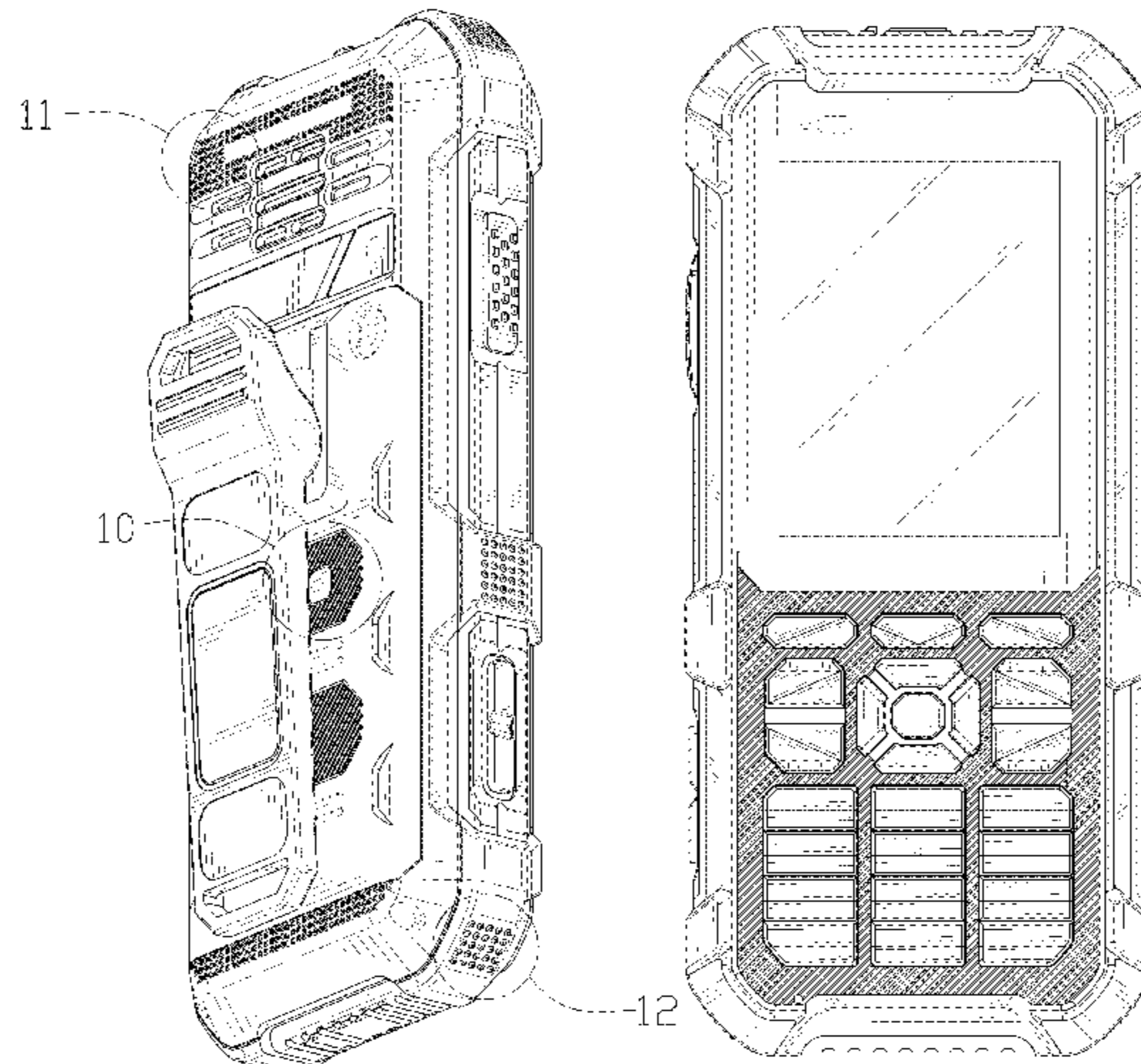
(57) **CLAIM**

The ornamental design for a mobile phone, as shown and described.

DESCRIPTION

FIG. 1 is a front perspective view of a mobile phone showing our design.
 FIG. 2 is a rear perspective view thereof.
 FIG. 3 is a front elevation view thereof.
 FIG. 4 is a rear elevation view thereof.
 FIG. 5 is a left side elevation view thereof.
 FIG. 6 is a right side elevation view thereof.
 FIG. 7 is a top plan view thereof.
 FIG. 8 is a bottom plan view thereof.
 FIG. 9 is an enlarged view of portion 9 of the mobile phone in FIG. 1.
 FIG. 10 is an enlarged view of portion 10 of the mobile phone in FIG. 2.
 FIG. 11 is an enlarged view of portion 11 of the mobile phone in FIG. 2; and,
 FIG. 12 is an enlarged view of portion 12 of the mobile phone in FIG. 2.
 The broken lines show portions of the mobile phone that form no part of the claimed design. The dot dash lines containing portions of the mobile phone in FIG. 1 and illustrated in enlarged views in FIG. 9 form no part of the claimed design. The dot dash lines containing portions of the mobile phone in FIG. 2 and illustrated in enlarged views in FIGS. 10 to 12 form no part of the claimed design.

1 Claim, 12 Drawing Sheets



(56)

References Cited

U.S. PATENT DOCUMENTS

D610,110 S * 2/2010 Lee D14/138 AA
 D611,022 S * 3/2010 Puhalla D14/138 AA
 D617,298 S * 6/2010 Kim D14/138 AA
 D618,202 S * 6/2010 Chaumont D14/138 AA
 D631,454 S * 1/2011 Cui D14/138 AA
 D633,089 S * 2/2011 Hsu D14/341
 D641,334 S * 7/2011 Hong D14/138 AA
 D677,238 S * 3/2013 Shioya D14/138 AA
 D721,348 S * 1/2015 Plaschke D14/138 AA
 D722,991 S * 2/2015 Plaschke D14/138 AA
 D726,170 S * 4/2015 Ng D14/250
 D778,861 S * 2/2017 Guo D14/138 AA
 D786,212 S * 5/2017 Huang D14/138 AA
 D788,058 S * 5/2017 Astheimer D14/138 G
 D795,214 S * 8/2017 Tschopp D14/138 G
 D808,918 S * 1/2018 Wei D14/138 G
 D845,923 S * 4/2019 Nishikawa D14/138 AA
 D880,443 S * 4/2020 Takahashi D14/138 AA
 D929,954 S * 9/2021 Bicudo D14/137
 2014/0106817 A1 * 4/2014 Lin H04M 1/21
 455/557
 2018/0343334 A1 * 11/2018 Otani H04M 1/03

FOREIGN PATENT DOCUMENTS

CN 303888084 * 10/2016
 CN 303996809 * 1/2017

CN 304104379 * 4/2017
 CN 304293065 * 9/2017
 CN 304393785 * 12/2017
 CN 304826021 * 9/2018
 CN 304898857 * 11/2018
 CN 305098585 * 4/2019
 GB 9007282124-0001 * 11/2019

OTHER PUBLICATIONS

Ruggear rg930 overview, thephonetrader, posted Nov. 17, 2013, [online], [site visited Sep. 9, 2022]. Available from Internet, URL: <https://www.youtube.com/watch?v=Tv2blffpKc> (Year: 2013).*

Easyfone brings India's first truly IP68 certified Rugged Phone, by Raunak Saha, Technosports, Sep. 2, 2021, [online], [site visited Sep. 12, 2022]. Available from Internet, URL: <https://technosports.co.in/2021/09/02/easyfone-brings-indias-first-truly-ip68-certified-rugged-phone/> (Year: 2021).*

Sonim XP5s pictures, released Dec. 21, 2018, [online], [site visited Sep. 12, 2022]. Available from Internet, URL: https://www.gsmarena.com/sonim_xp5s-pictures-11709.php (Year: 2018).*

Cat B35 pictures, released Oct. 2018, [online], [site visited Sep. 12, 2022]. Available from Internet, URL: https://www.gsmarena.com/cat_b35-pictures-9348.php (Year: 2018).*

Cat B30 pictures, released Jun. 2015, [online], [site visited Sep. 12, 2022]. Available from Internet, URL: https://www.gsmarena.com/cat_b30-pictures-7312.php (Year: 2015).*

* cited by examiner

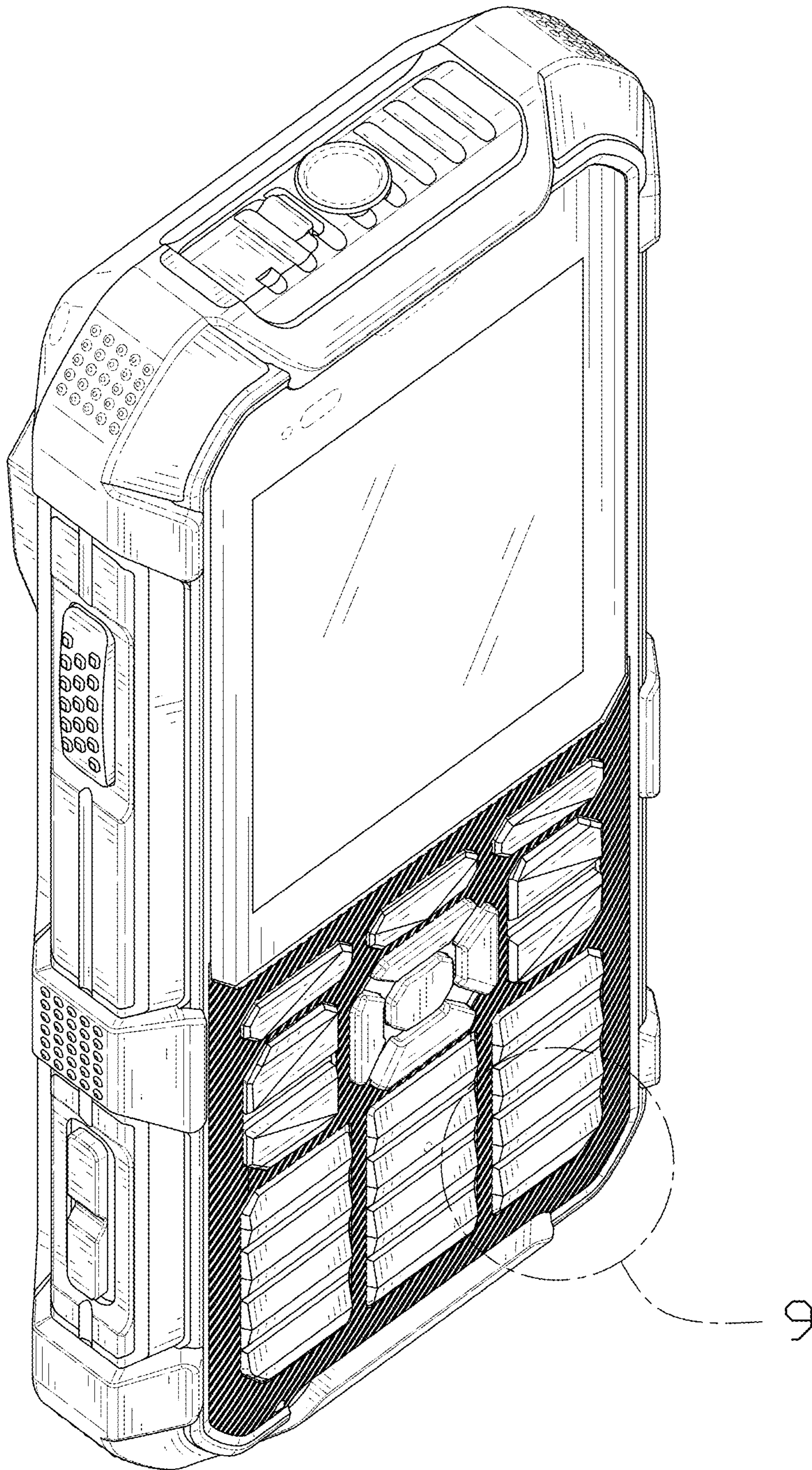


FIG. 1

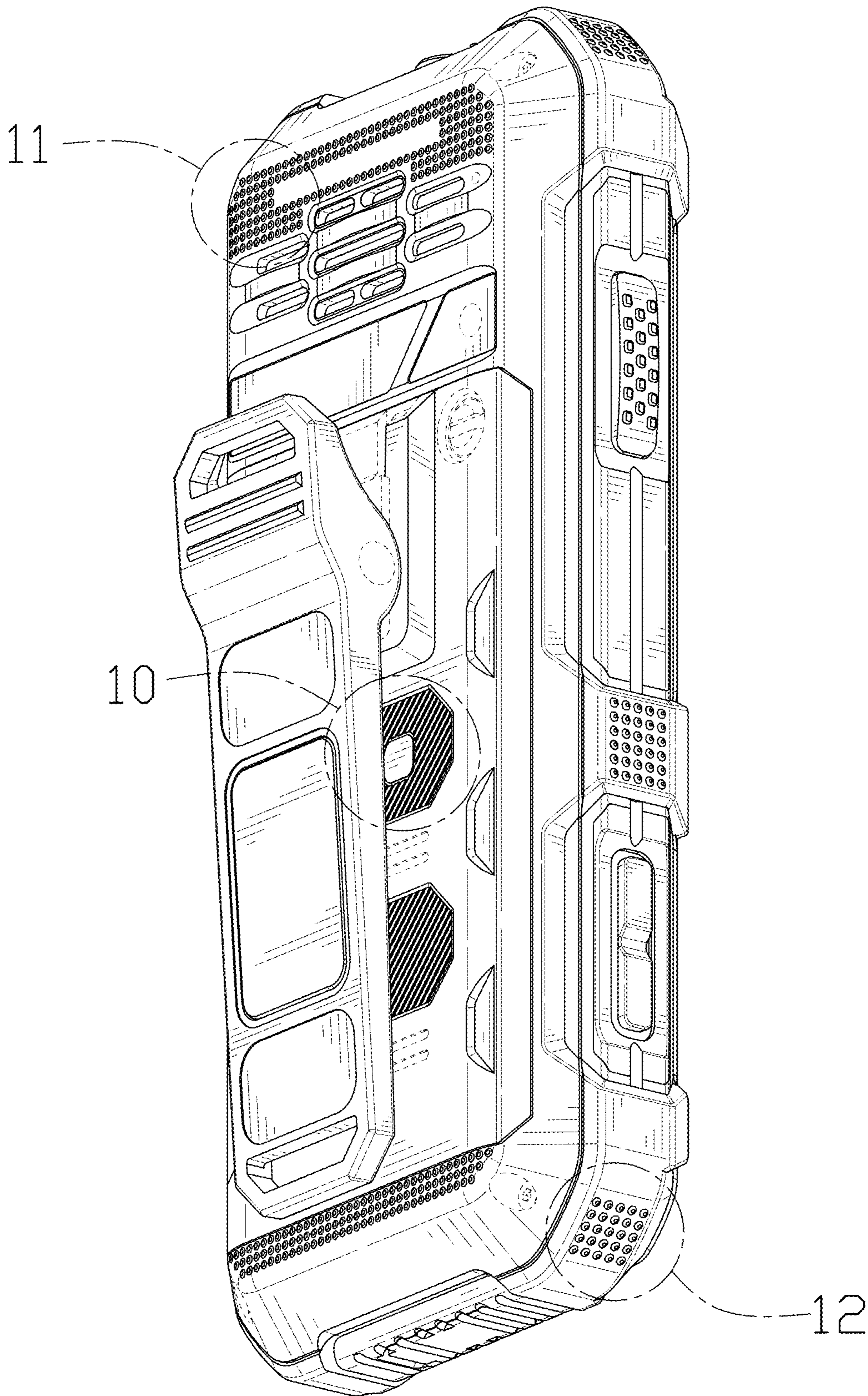


FIG. 2

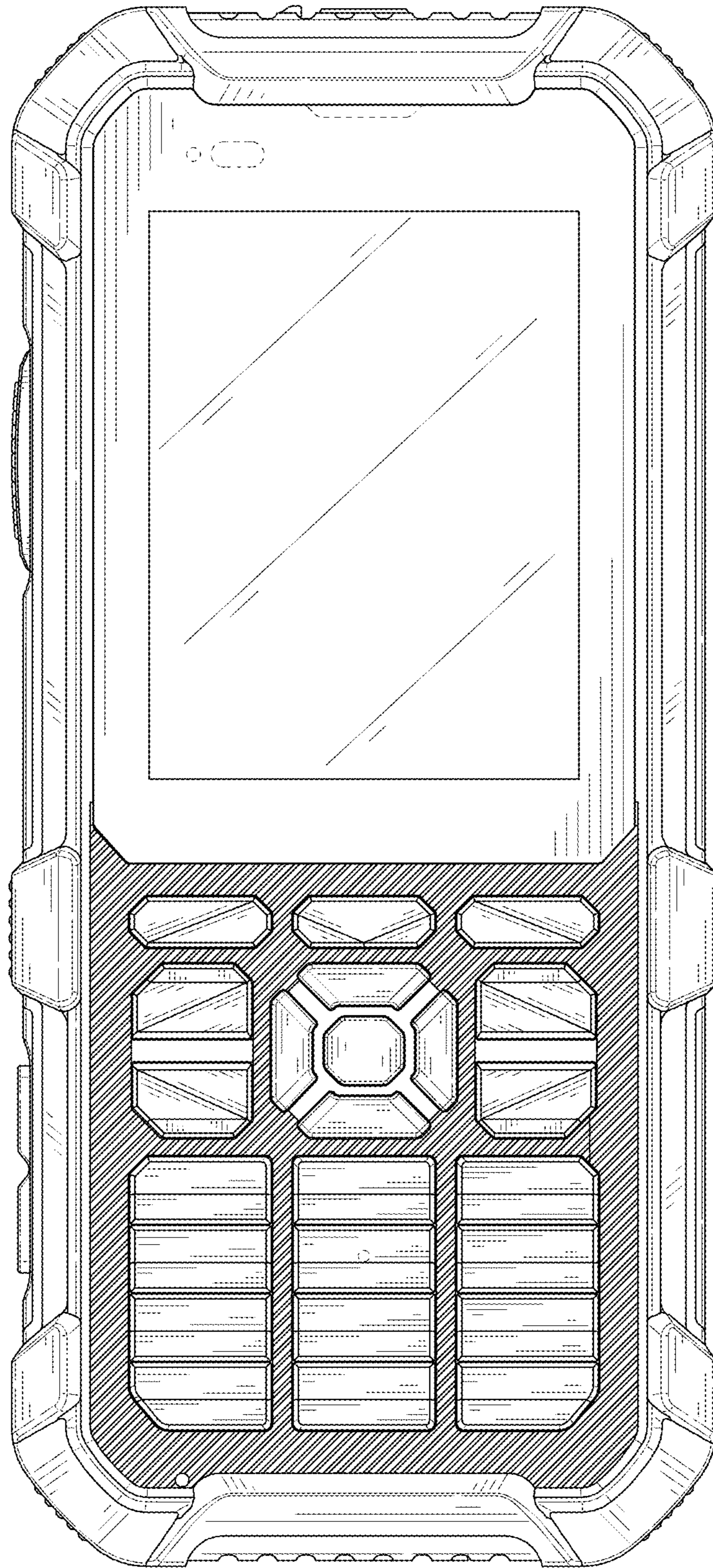


FIG. 3

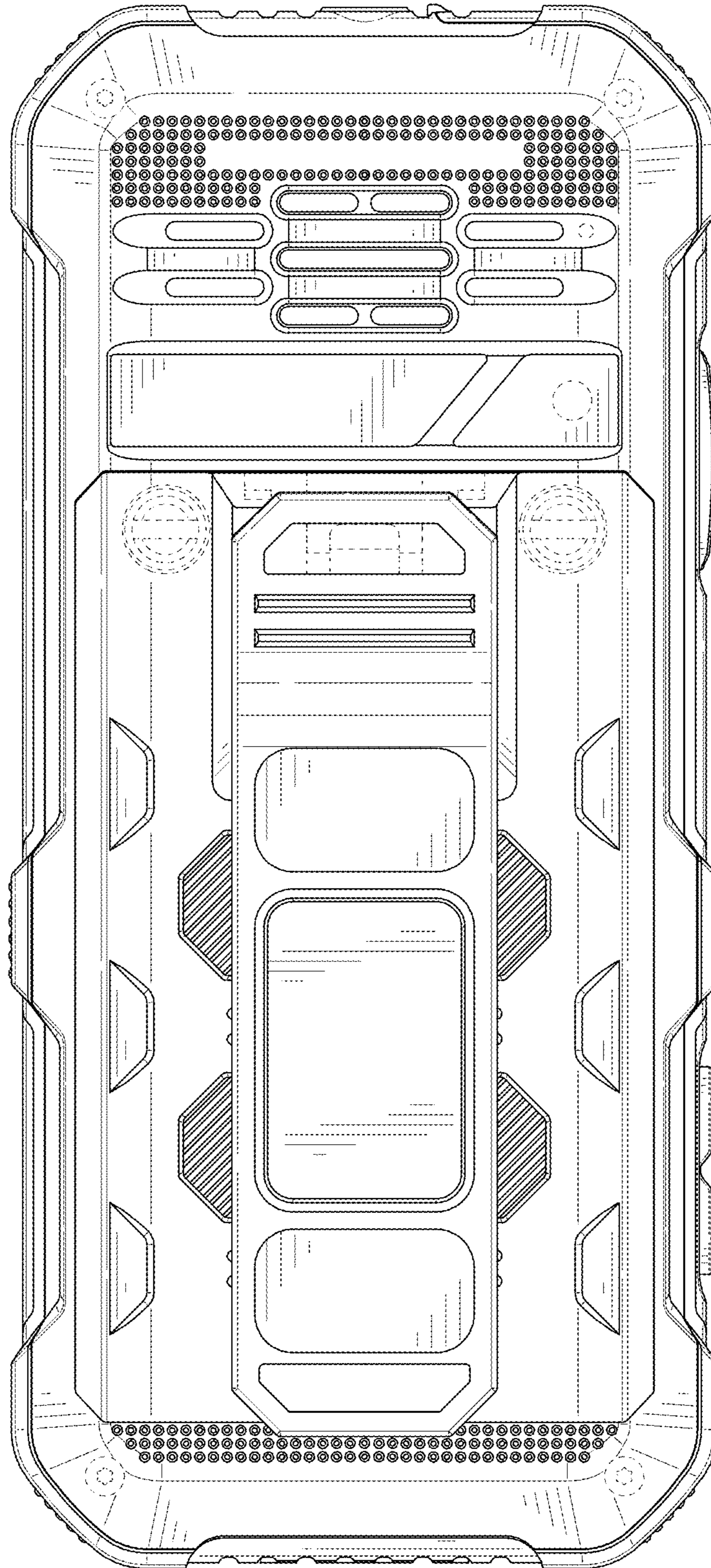


FIG. 4

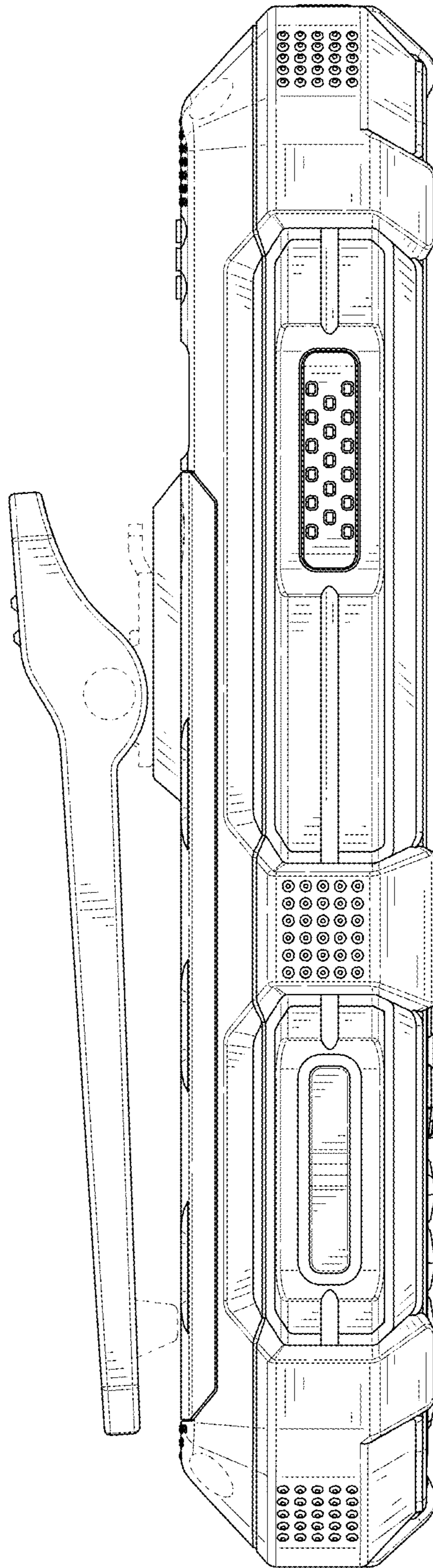


FIG. 5

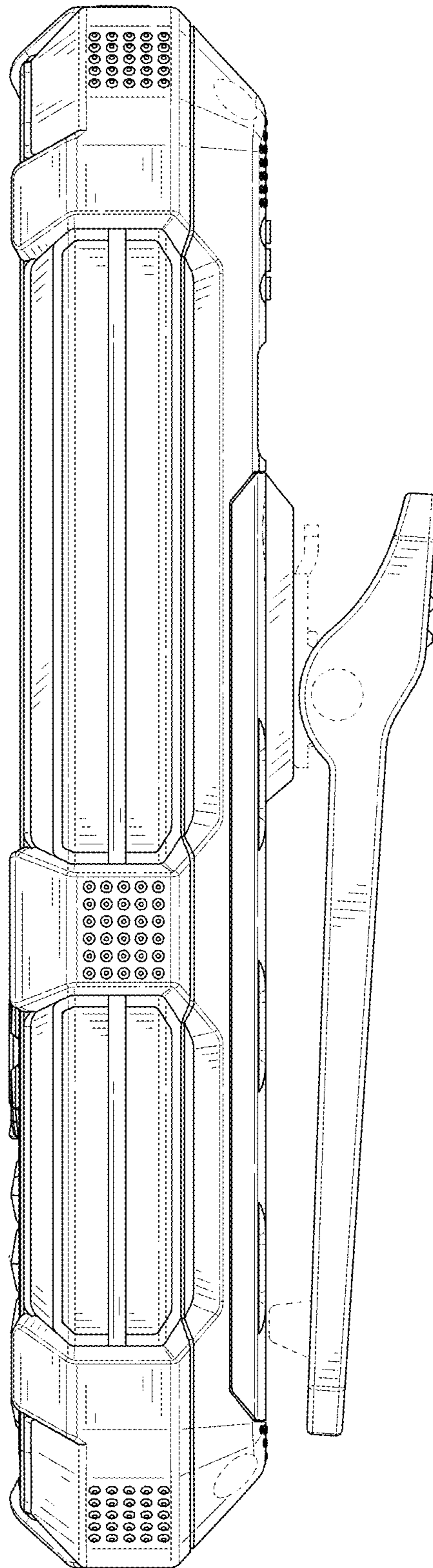


FIG. 6

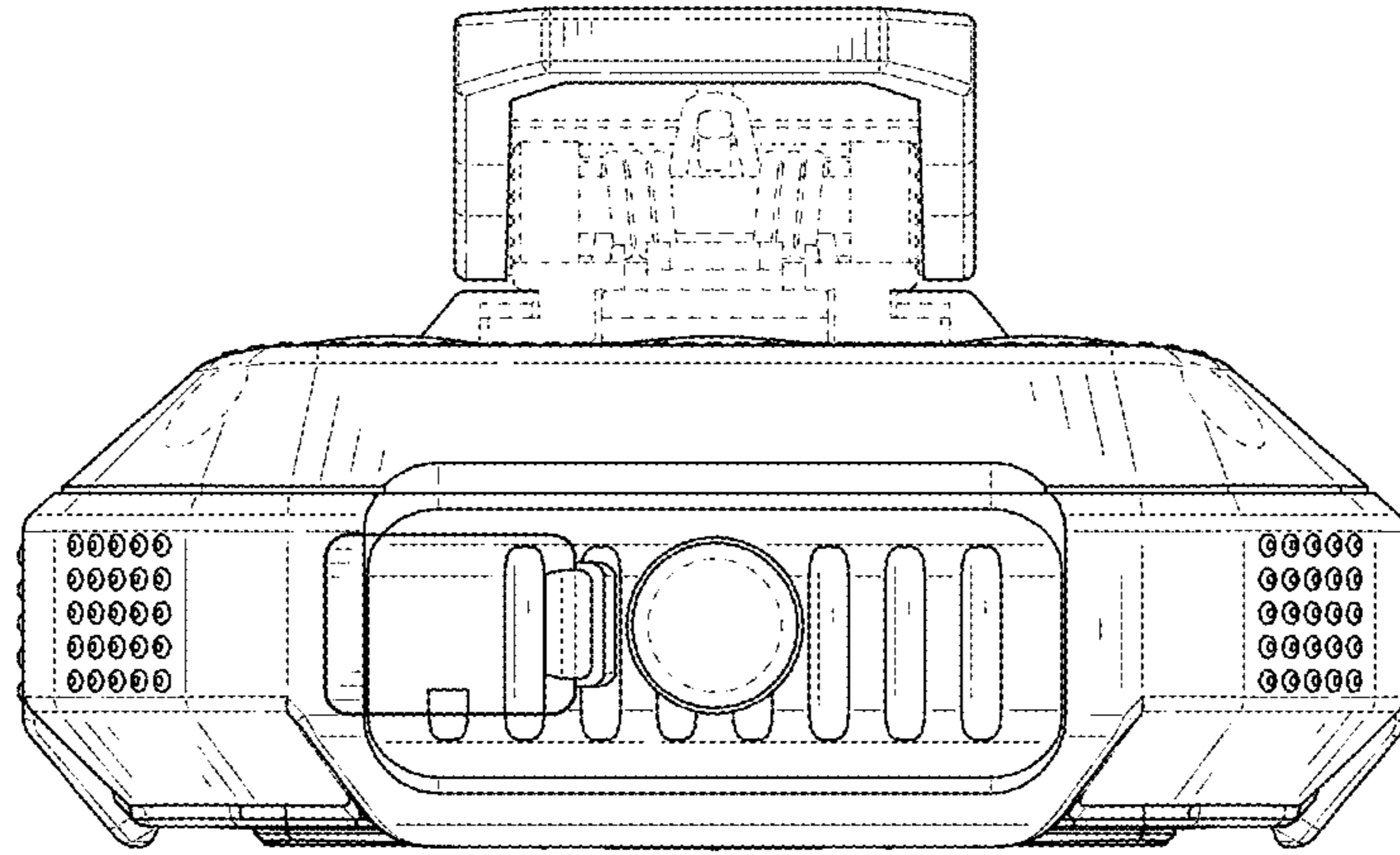


FIG. 7

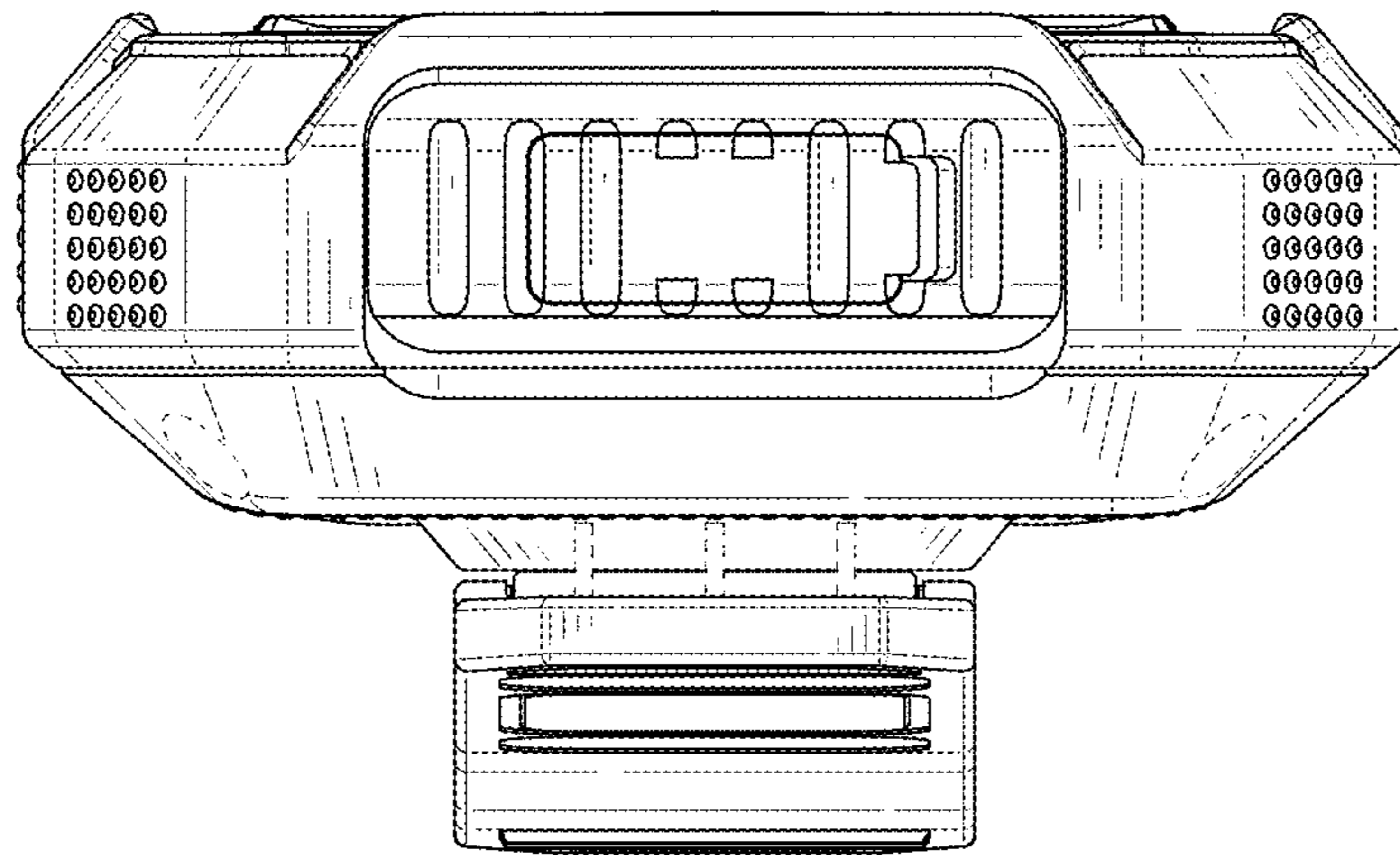


FIG. 8

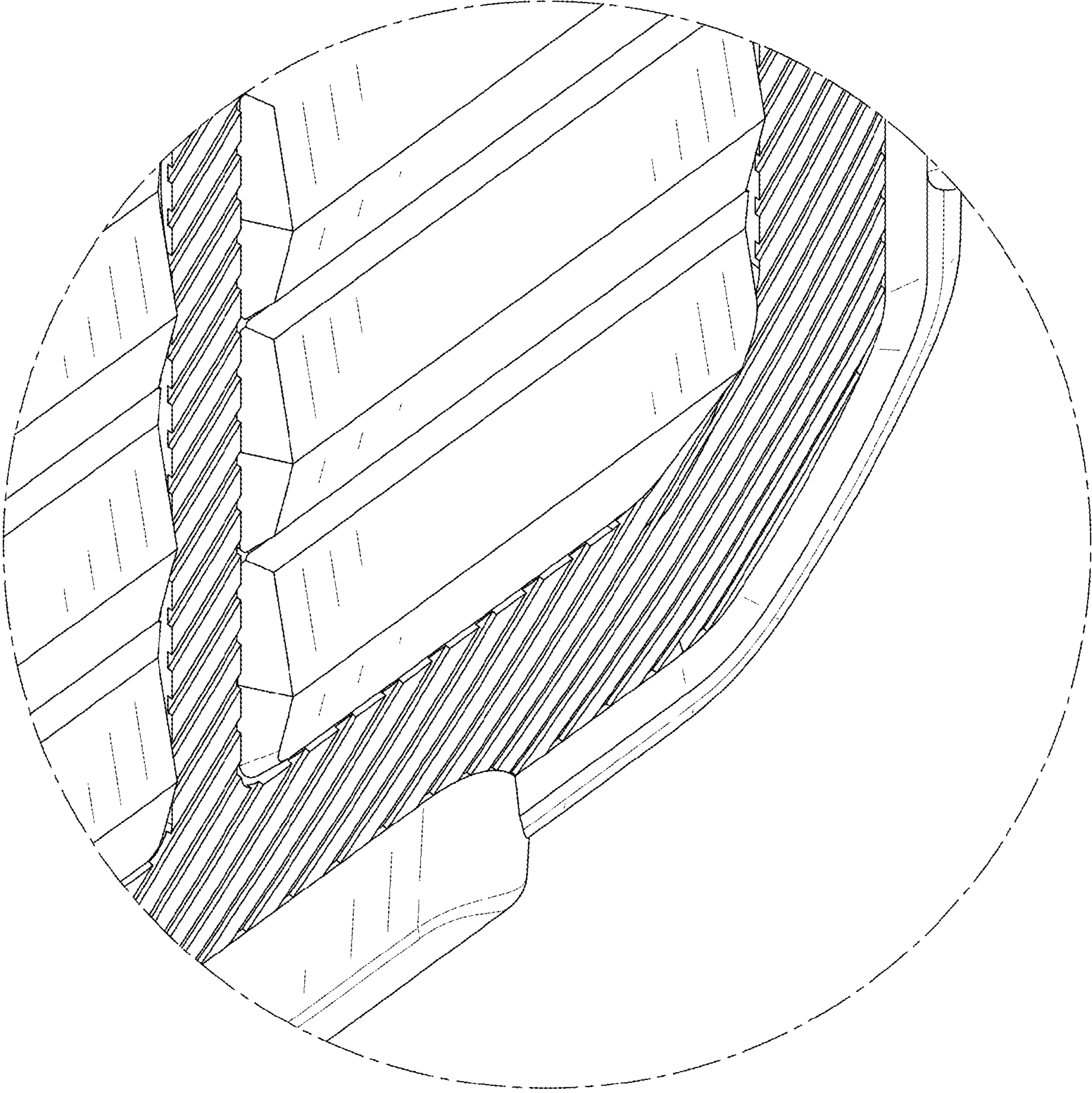


FIG. 9

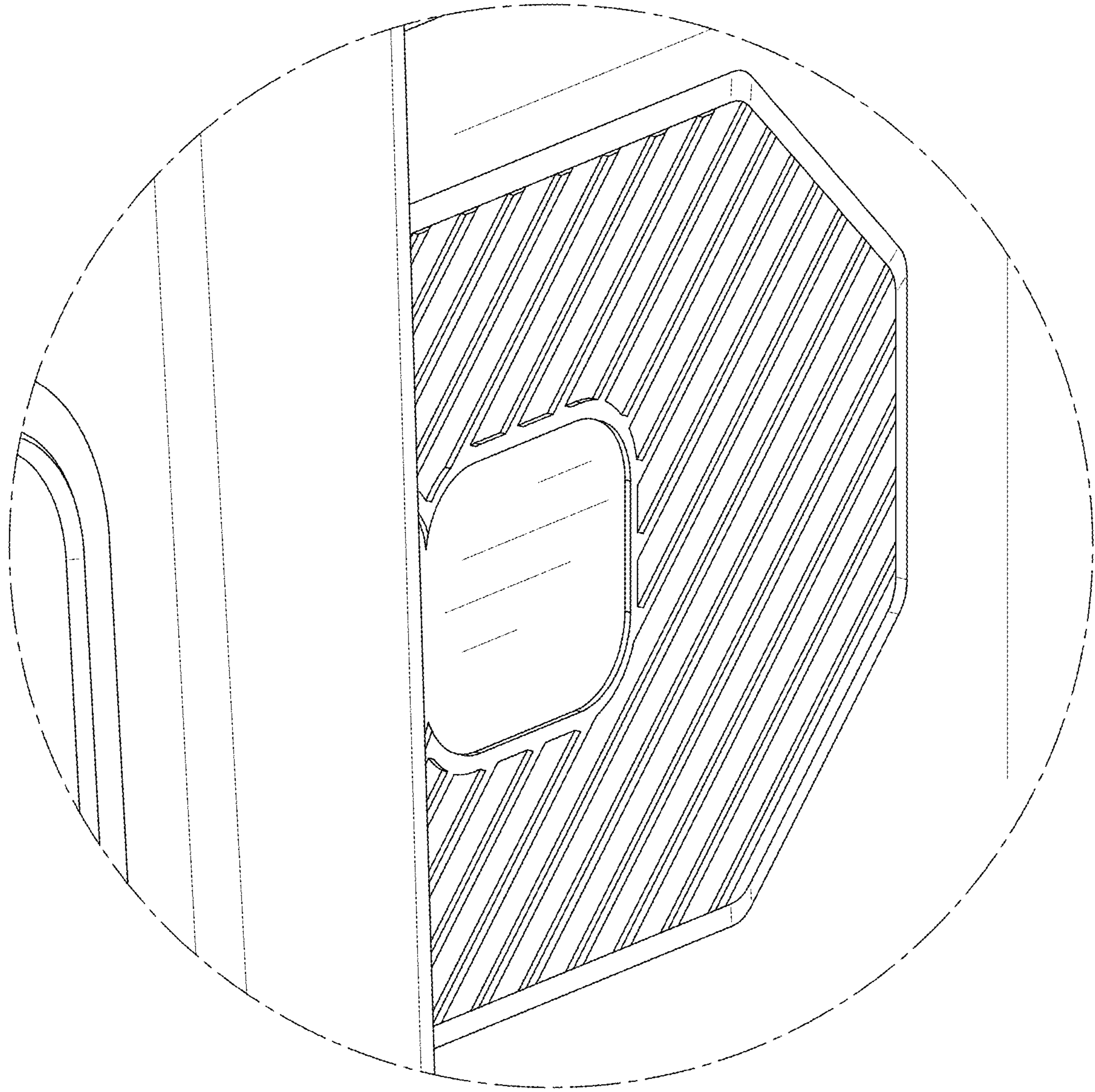


FIG. 10

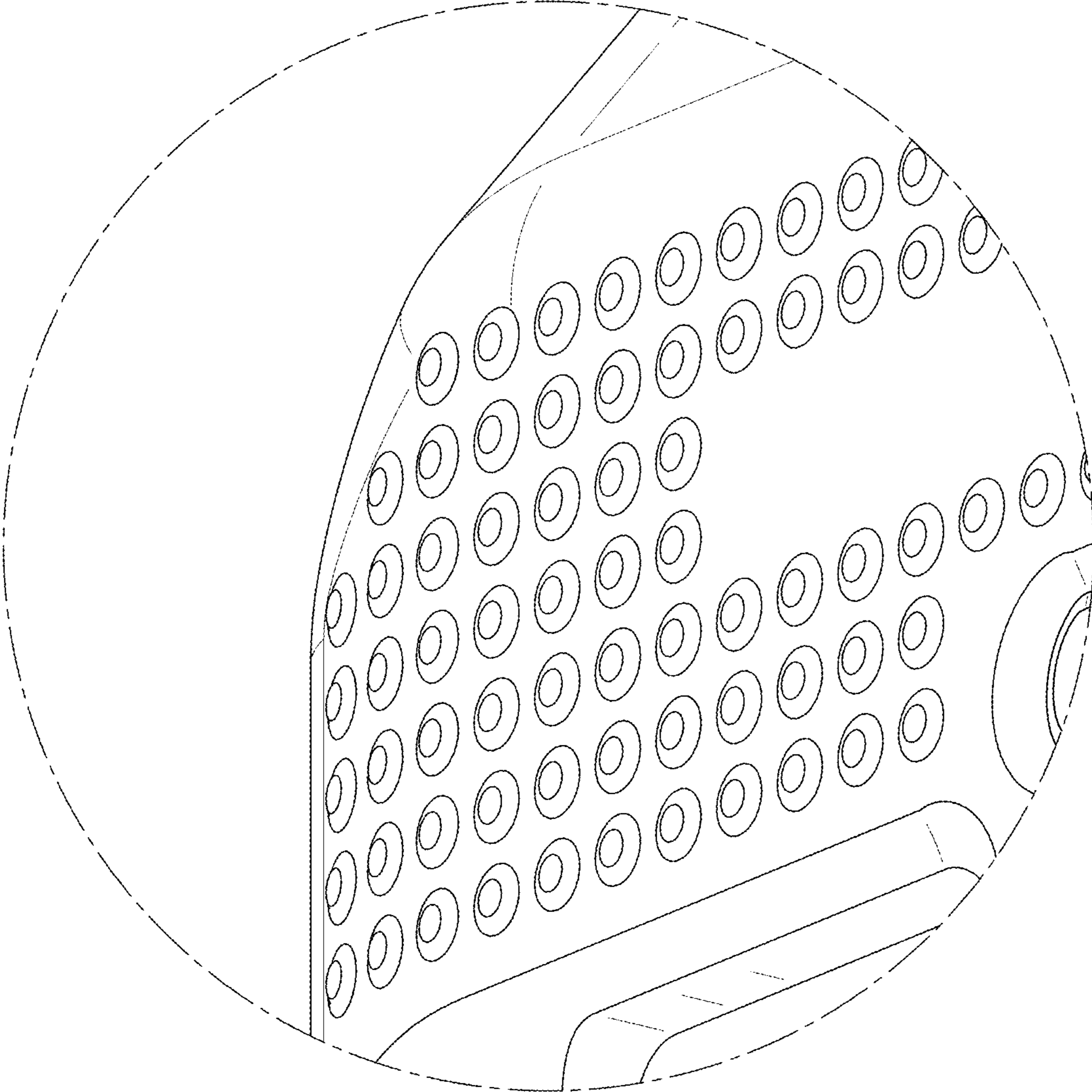


FIG. 11

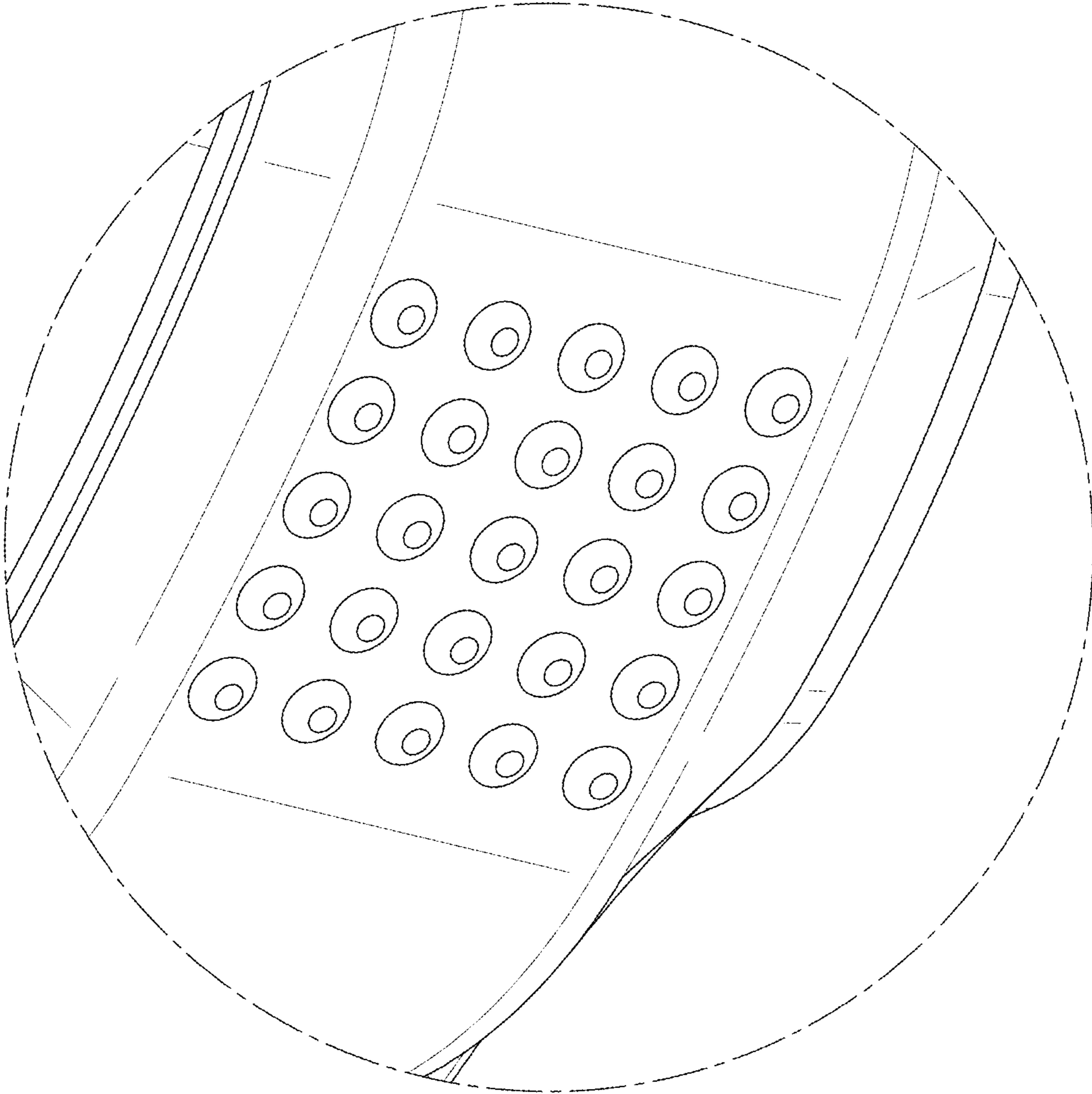


FIG. 12