



US00D983152S

(12) **United States Design Patent**
Mai

(10) **Patent No.:** **US D983,152 S**
(45) **Date of Patent:** **** Apr. 11, 2023**

(54) **MICROPHONE**

(71) Applicant: **Shenzhen Xunweijia Technology Development Co., Ltd.**, Shenzhen (CN)

(72) Inventor: **Qibin Mai**, Gaoyao (CN)

(73) Assignee: **Shenzhen Xunweijia Technology Development Co., Ltd.**, Shenzhen (CN)

(**) Term: **15 Years**

(21) Appl. No.: **29/841,892**

(22) Filed: **Jun. 9, 2022**

(51) **LOC (14) Cl.** **14-03**

(52) **U.S. Cl.**
USPC **D14/125**

(58) **Field of Classification Search**

USPC D14/225-229, 155, 240, 356, 358, 388,
D14/204-224, 372, 125; D10/104.1;
D13/108, 110, 168; D21/483; D16/391,
D16/392, 538, 542, 629, 207, 210, 214,
D16/300, 309, 313, 330; D29/112
CPC H04R 9/08; H04R 19/02; H04R 19/04;
H04R 25/00; H04R 11/04; H04R 3/00;
H04R 1/20; H04R 1/02; H04R 1/10;
H04R 1/1016; H04R 1/1066; H04R
1/105; H04R 1/1033; H04R 1/08; H04R
5/033; H04R 5/0335; F16M 11/16; E04B
1/82; G08C 17/02; G08C 19/00; G08C
19/12; G08C 19/28; G08C 23/04; H04B
1/202; H05B 45/00; H05B 47/10; H05B
47/19; H03J 9/00; H03J 9/02; H03J 9/04;
H03J 9/06; H03J 1/0025; H01H 9/0025;
H01H 9/0228; H01H 9/0235; F21S 4/00;
F21S 4/10; F21S 4/28; G02B 27/017;
G02B 27/0158; G02B 27/0161; G02B
27/0181; G02B 27/0185;

(Continued)

(56) **References Cited**

U.S. PATENT DOCUMENTS

D604,274 S * 11/2009 Durrett D14/228
D835,612 S * 12/2018 Tong D14/225
D839,856 S * 2/2019 Chen D14/228

(Continued)

OTHER PUBLICATIONS

Fifine K683A Type C USB Mic With a Pop Filter, first available Dec. 27, 2020, fifinemicrophone.com, [online], [site visited Sep. 8, 2022], Available from internet URL: <https://fifinemicrophone.com/collections/usb-mics/products/fifine-k683a-type-c-usb-microphone> (Year: 2022).*

(Continued)

Primary Examiner — Samantha Q Lawrence

Assistant Examiner — Holly M Rodriguez

(74) *Attorney, Agent, or Firm* — Nitin Kaushik

(57) **CLAIM**

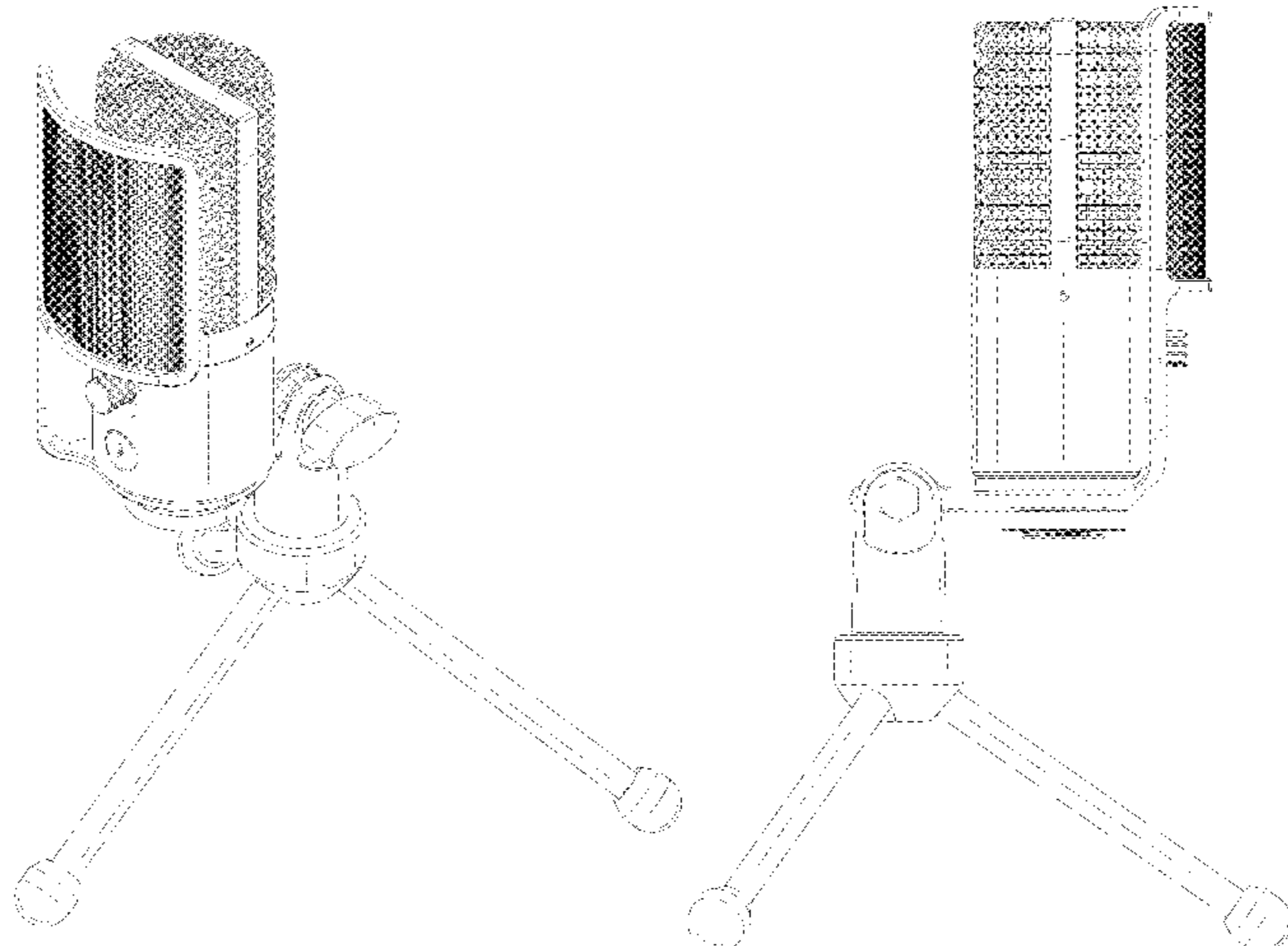
The ornamental design for a microphone, as shown and described.

DESCRIPTION

FIG. 1 is a front perspective view of a microphone, showing my new design;
FIG. 2 is a front view thereof;
FIG. 3 is a rear view thereof;
FIG. 4 is a left side view thereof;
FIG. 5 is a right side view thereof;
FIG. 6 is a top view thereof;
FIG. 7 is a bottom view thereof;
FIG. 8 is a front perspective view thereof;
FIG. 9 is a front view thereof;
FIG. 10 is a rear view thereof;
FIG. 11 is a left side view thereof;
FIG. 12 is a right side view thereof;
FIG. 13 is a top view thereof; and,
FIG. 14 is a bottom view thereof.

The broken lines in the drawings illustrate the portions of the microphone, which form no part of the claimed design.

1 Claim, 14 Drawing Sheets



(58) **Field of Classification Search**

CPC G02B 27/0189; A47G 19/2205; A47G
19/2222; A47G 19/2272

See application file for complete search history.

(56) **References Cited**

U.S. PATENT DOCUMENTS

D849,721	S	*	5/2019	Chen	D14/227
D850,423	S	*	6/2019	Chen	D14/227
D864,922	S	*	10/2019	Mai	D14/227
D917,429	S	*	4/2021	Xiang	D14/228
D917,432	S	*	4/2021	Mai	D14/227
D918,184	S	*	5/2021	Xiang	D14/228
D929,973	S	*	9/2021	Mai	D14/227
D931,839	S	*	9/2021	Bryant	D14/227
D942,973	S	*	2/2022	Lu	D14/227
D946,556	S	*	3/2022	Mai	D14/228
D954,687	S	*	6/2022	Mai	D14/229
D960,875	S	*	8/2022	Mai	D14/227

OTHER PUBLICATIONS

Fifine USB Desktop PC Microphone with Pop Filter for Computer and Mac, first available Nov. 25, 2020, amazon.com, [online], [site visited Sep. 10, 2022], Available from internet URL: <https://www.amazon.com/FIFINE-Microphone-Condenser-Headphone-Streaming/dp/B08P4LTX7Z/> (Year: 2020).*

USB Condenser Microphone, VeGue All Metal Studio PC Mic with Gain Control Mute Button, first available Jul. 23, 2021, amazon.com, [online], [site visited Sep. 10, 2022], Available from internet URL: <https://www.amazon.com/dp/B09B3FZC8S/> (Year: 2021).*

* cited by examiner

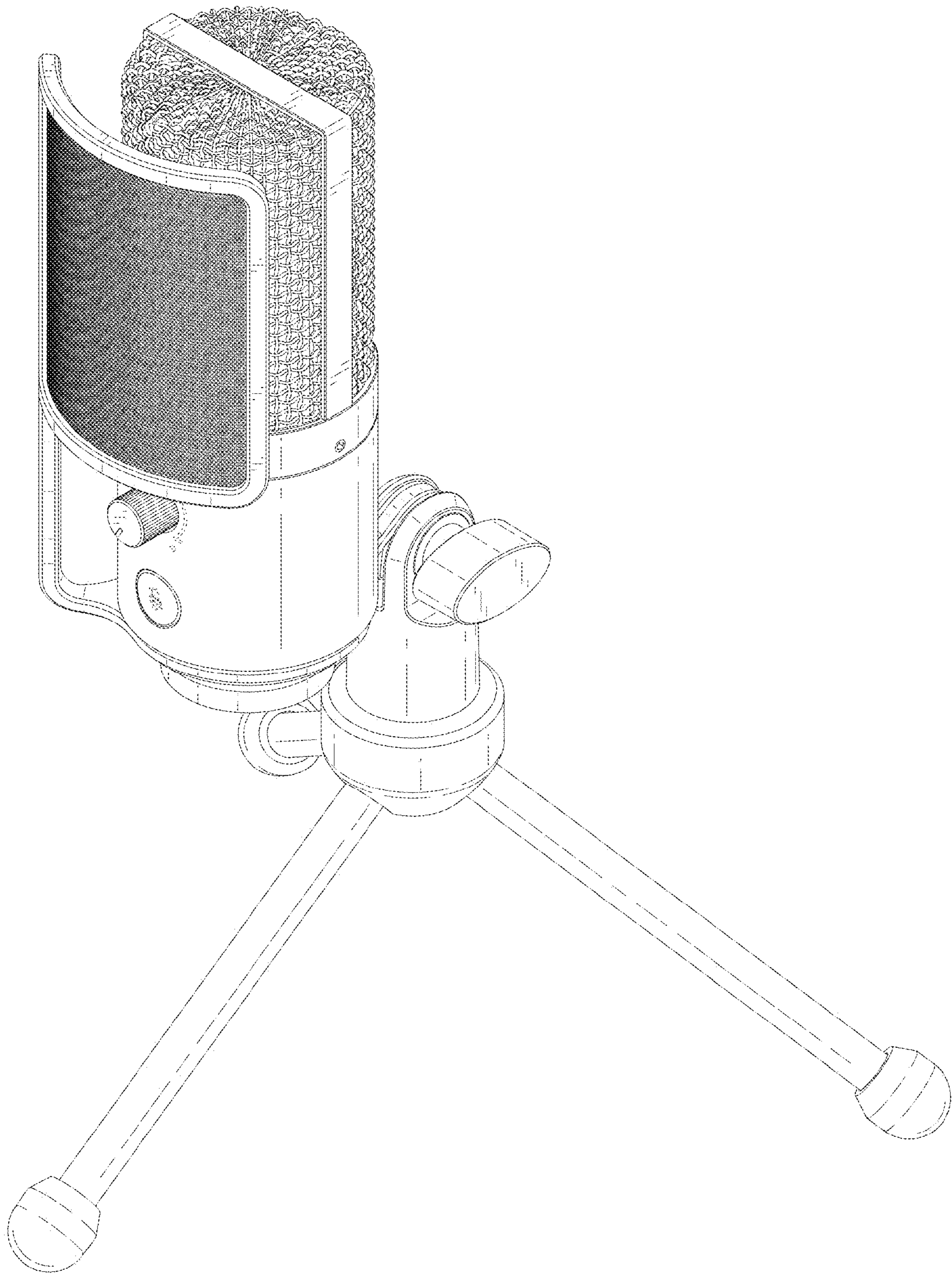


FIG. 1

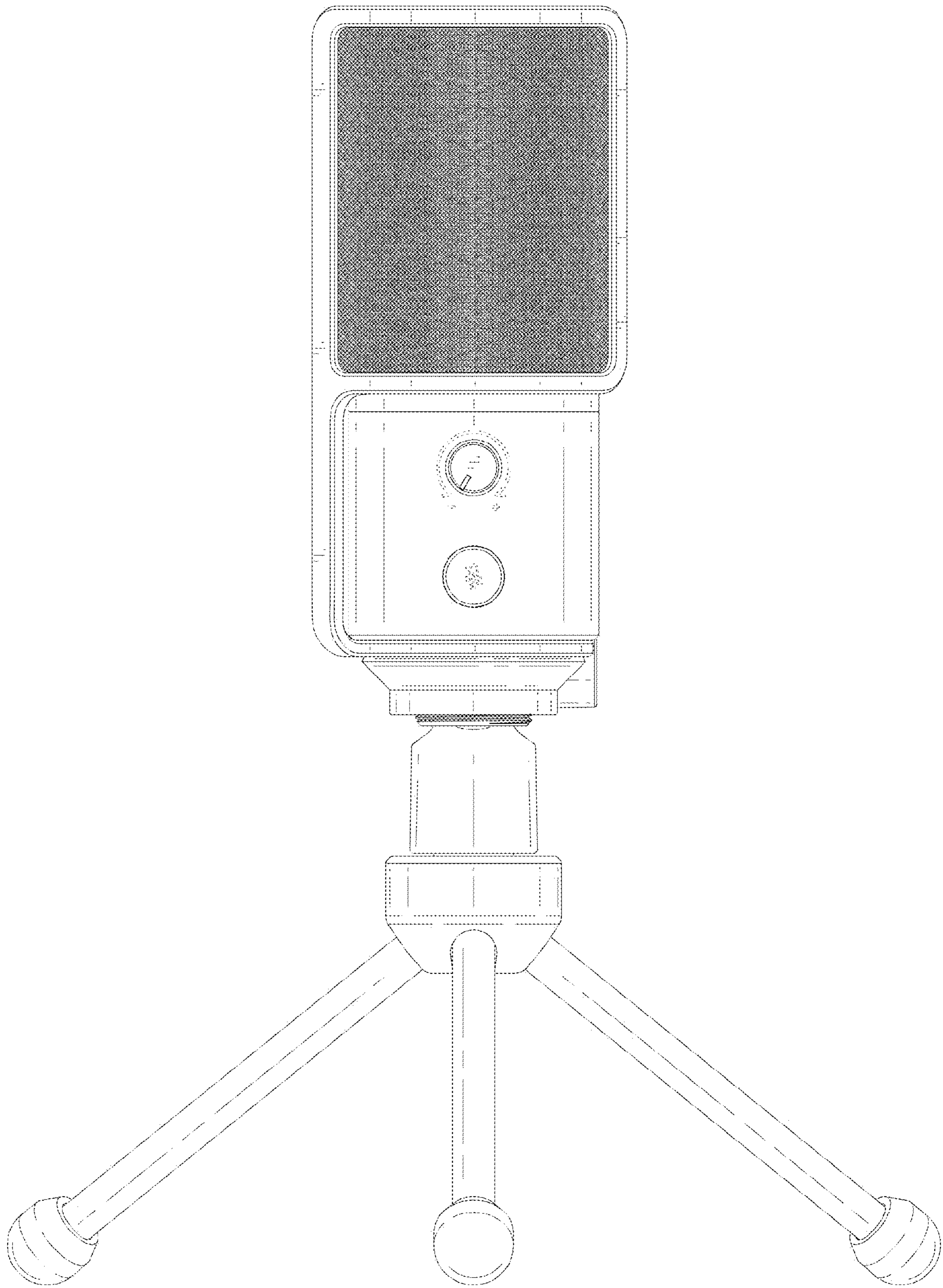


FIG. 2

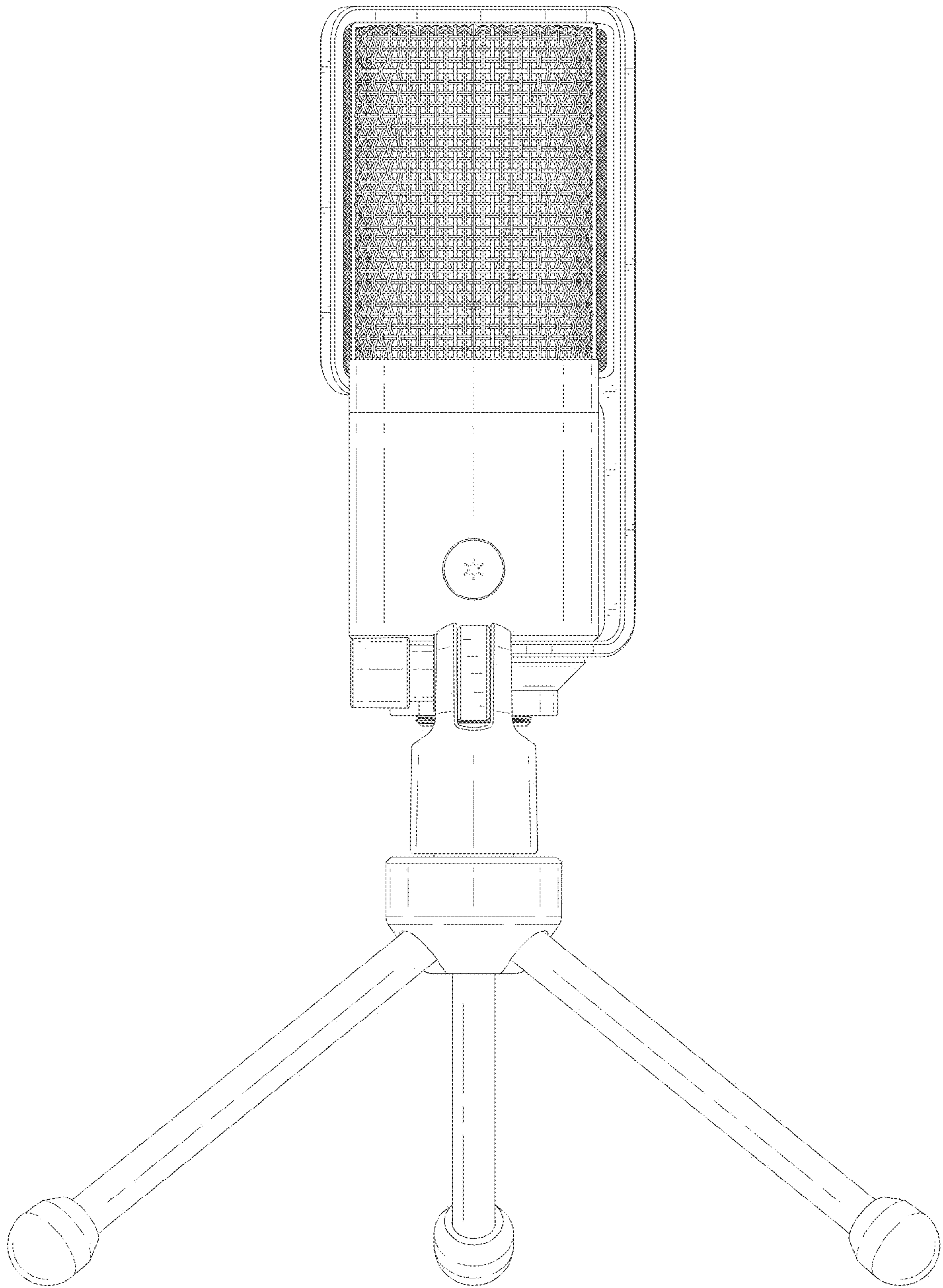


FIG. 3

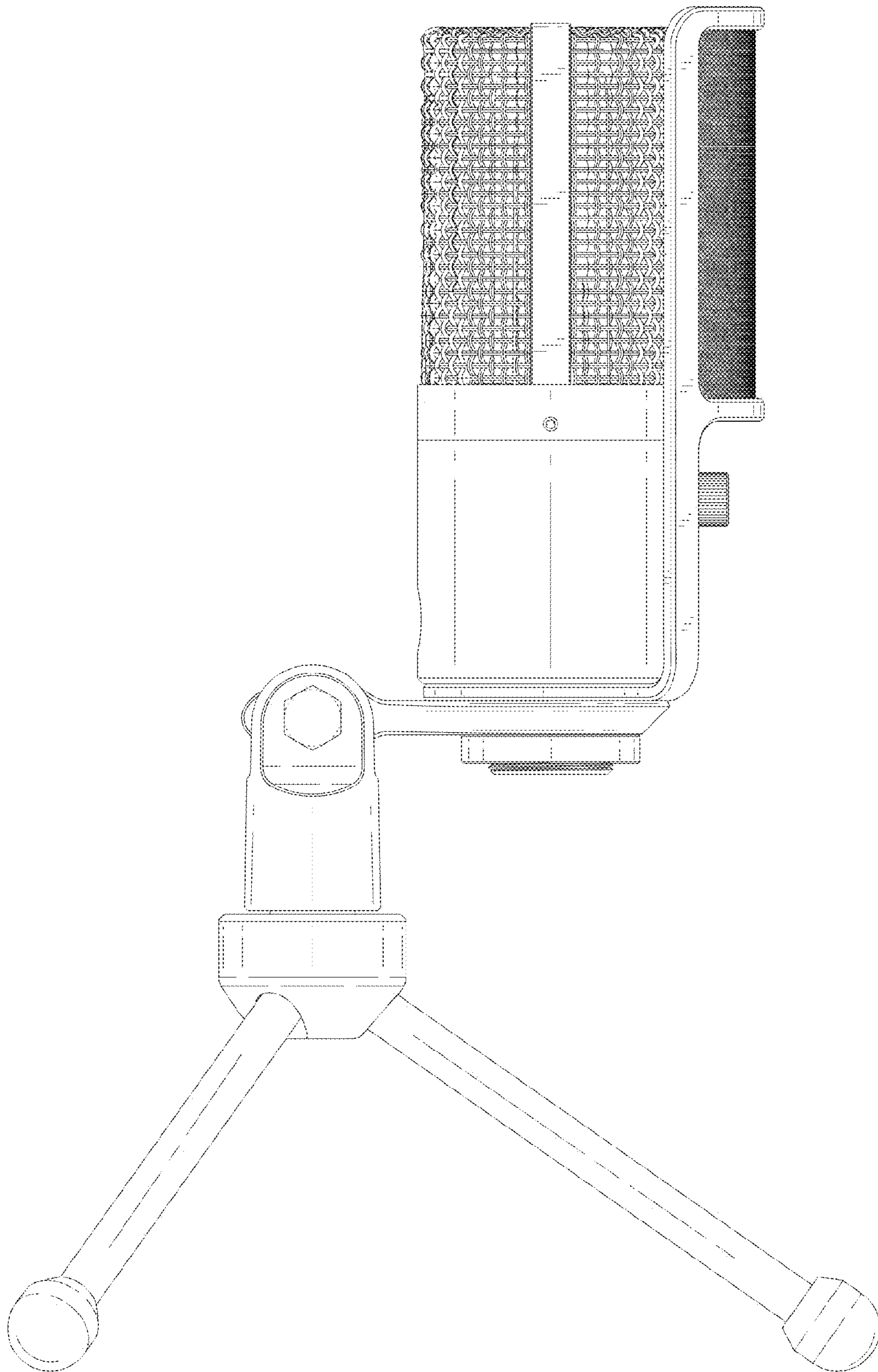


FIG. 4

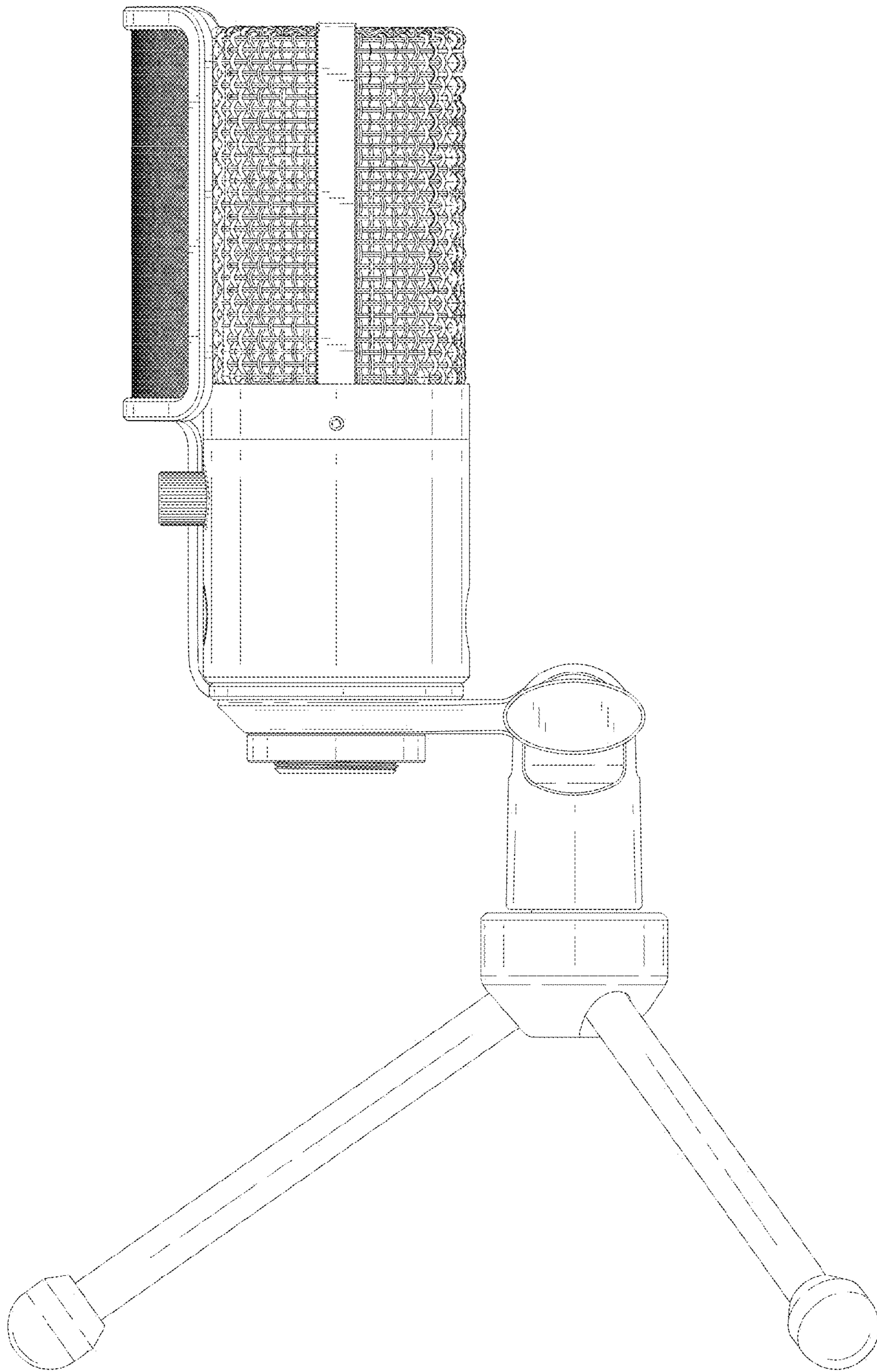


FIG. 5

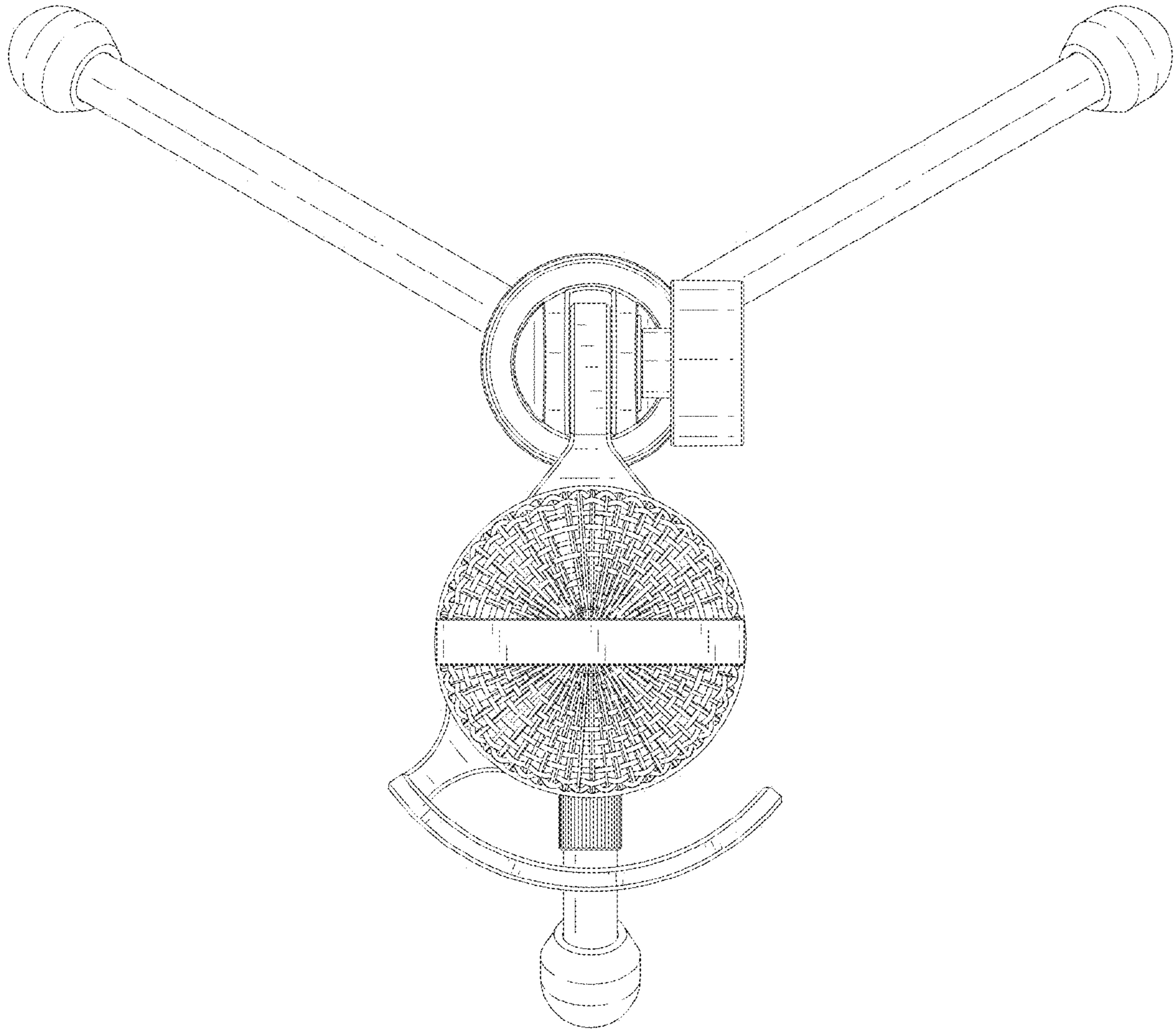


FIG. 6

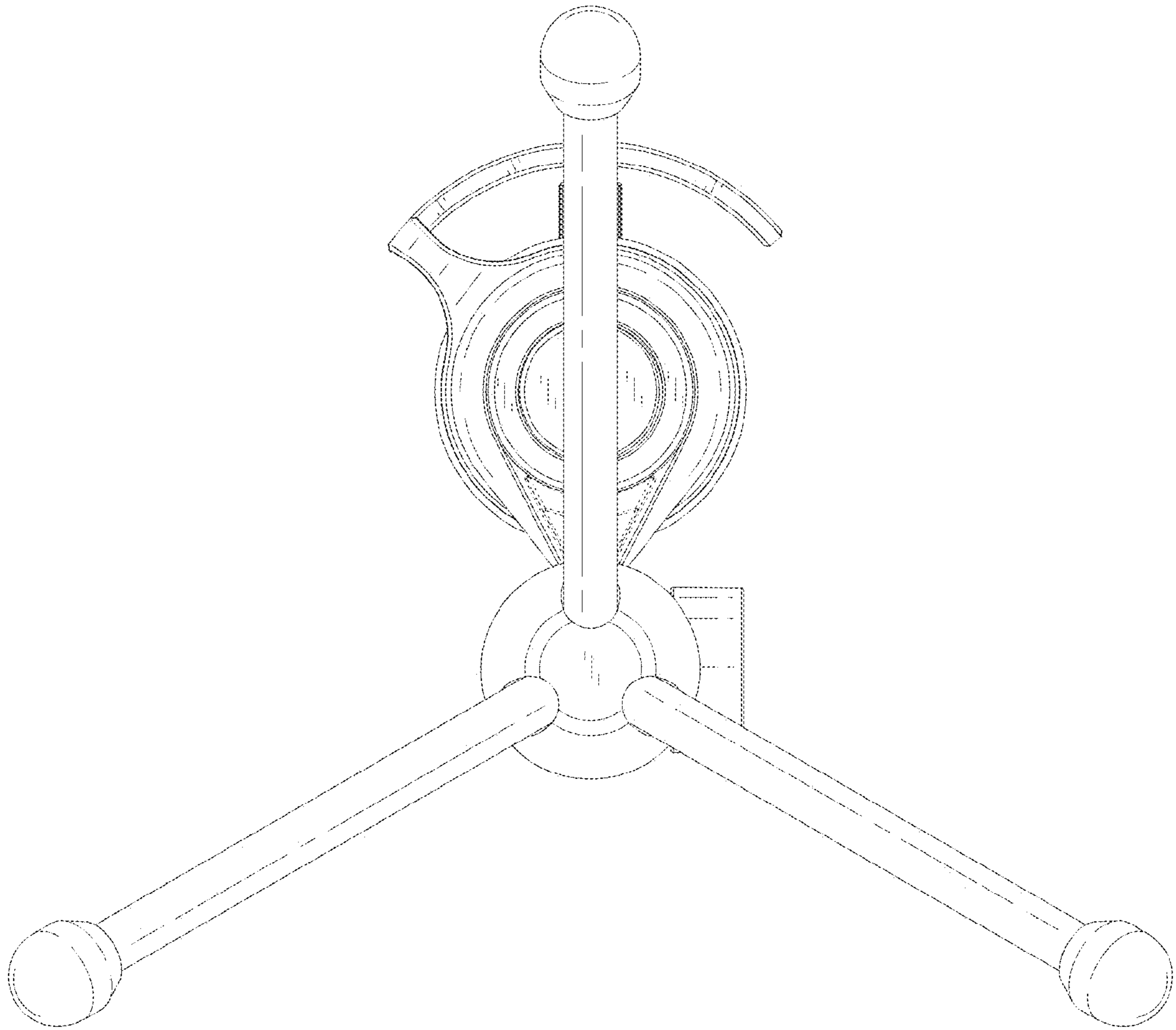


FIG. 7

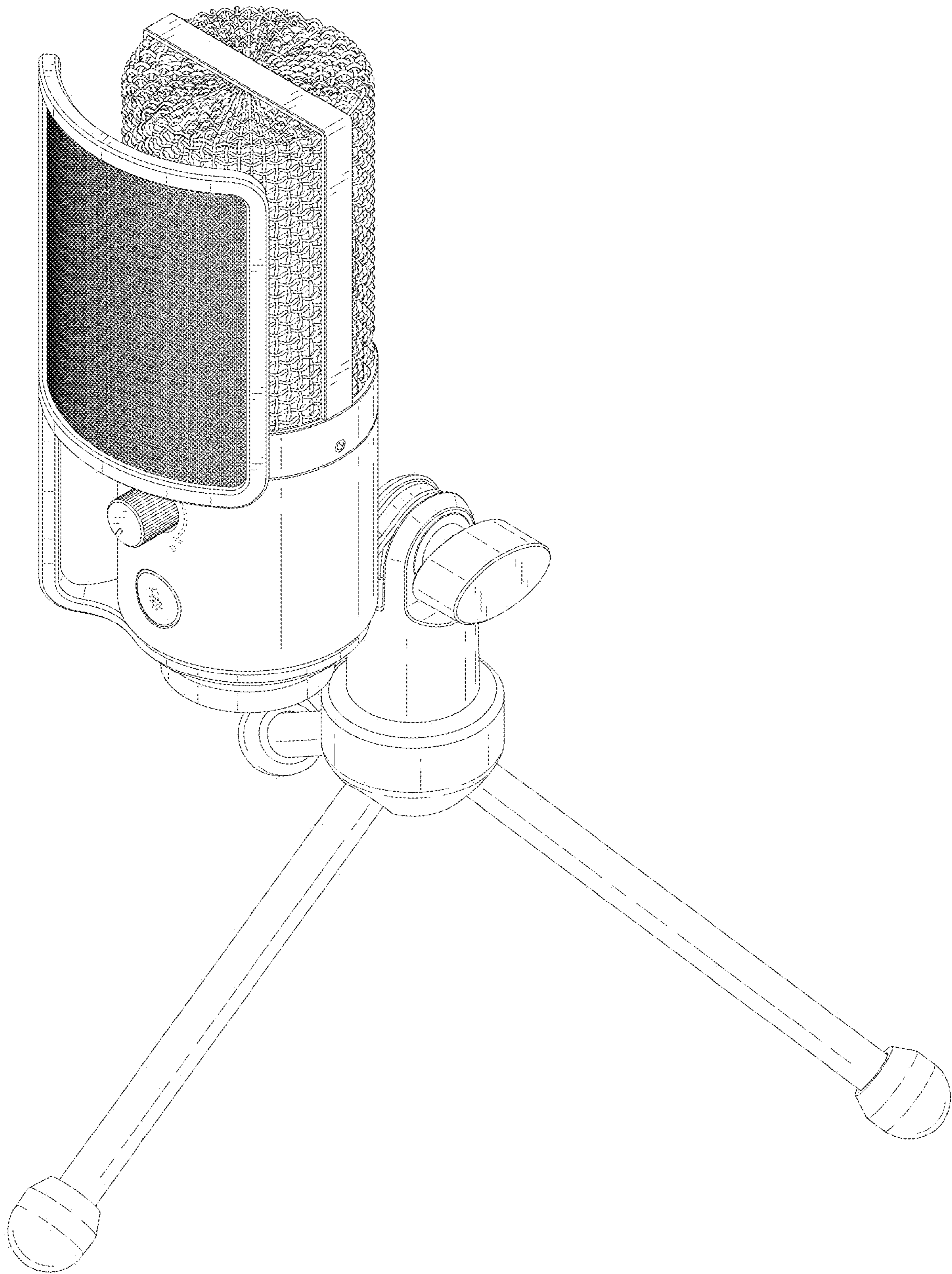


FIG. 8

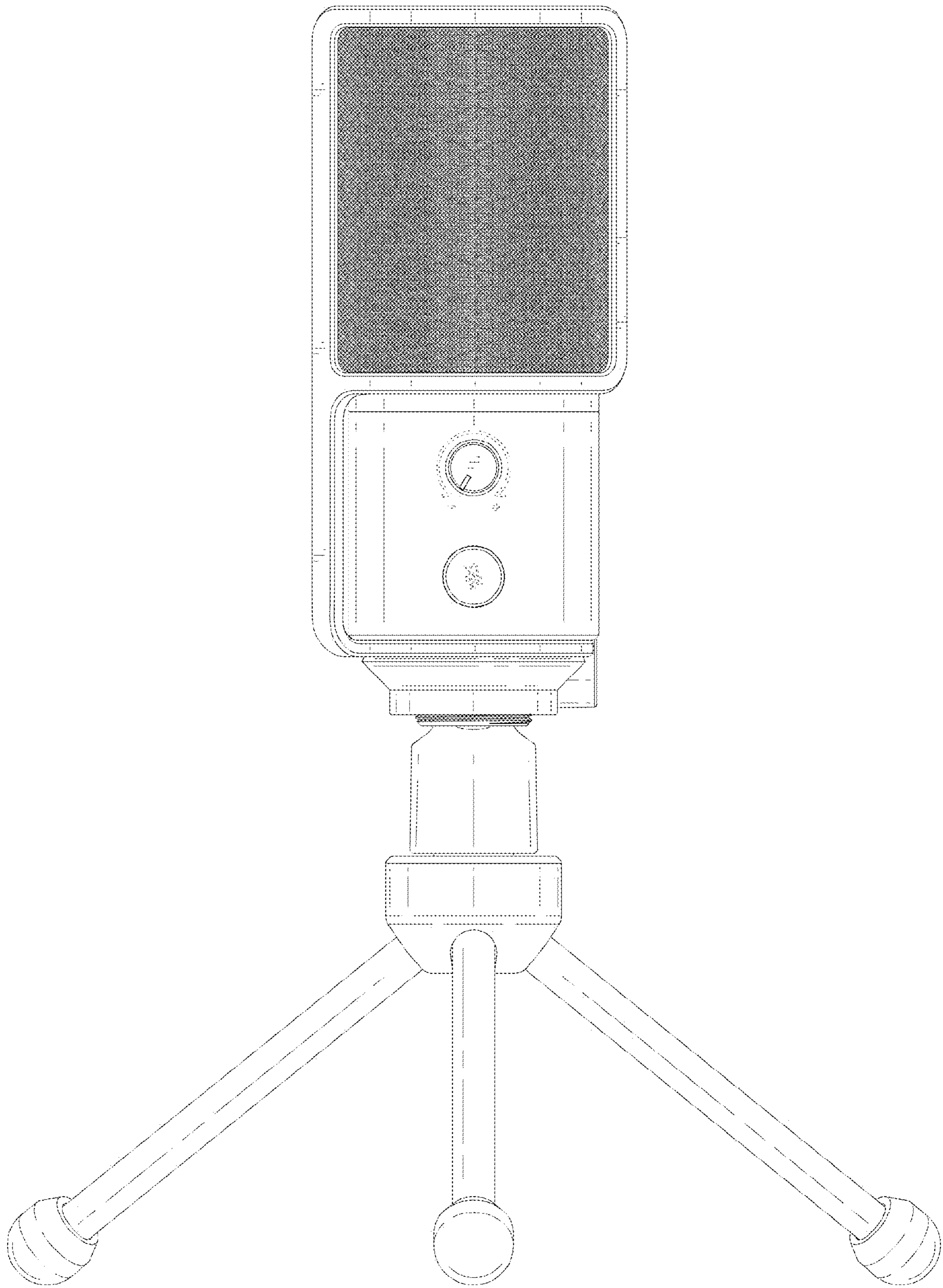


FIG. 9

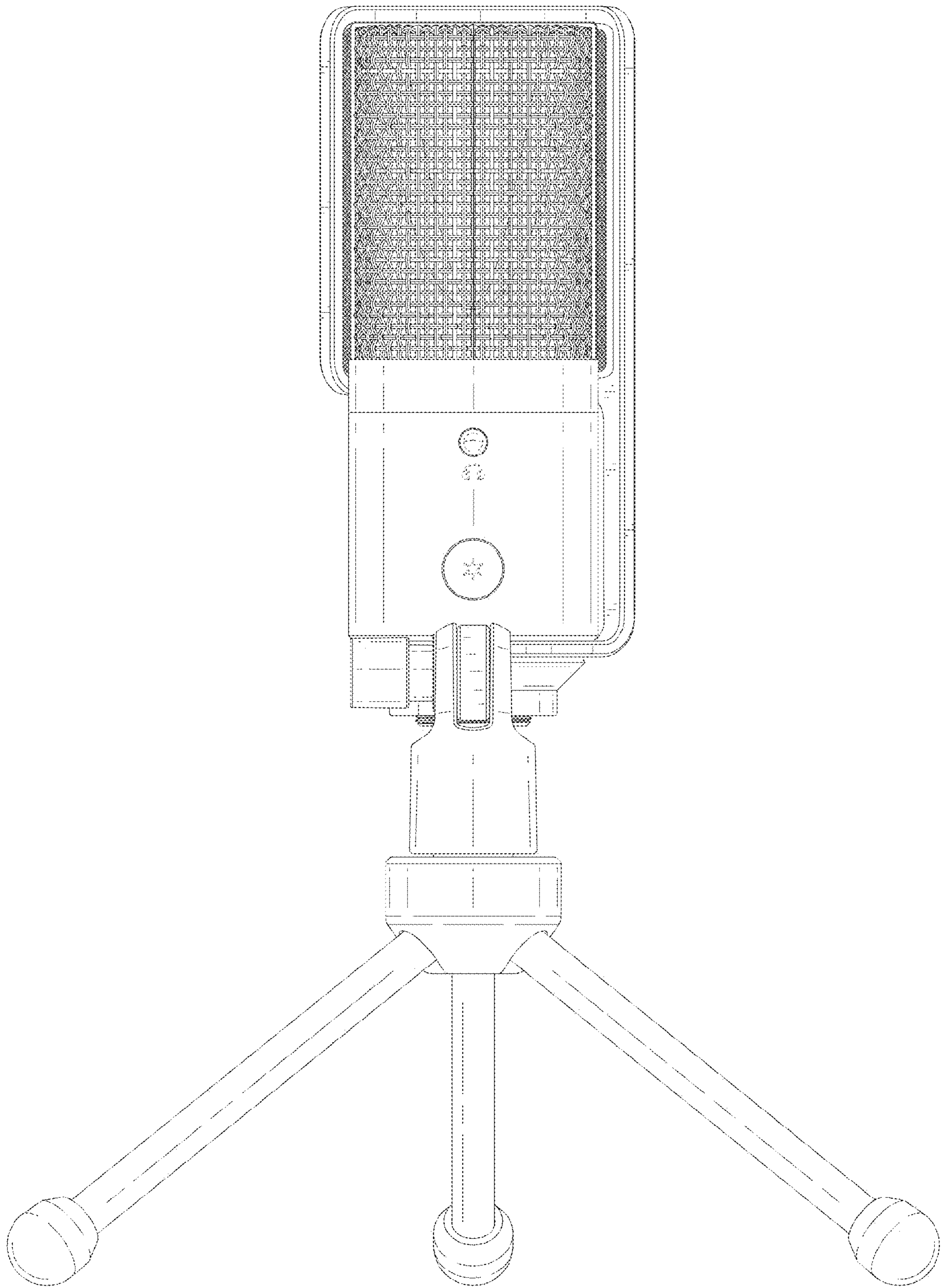


FIG. 10

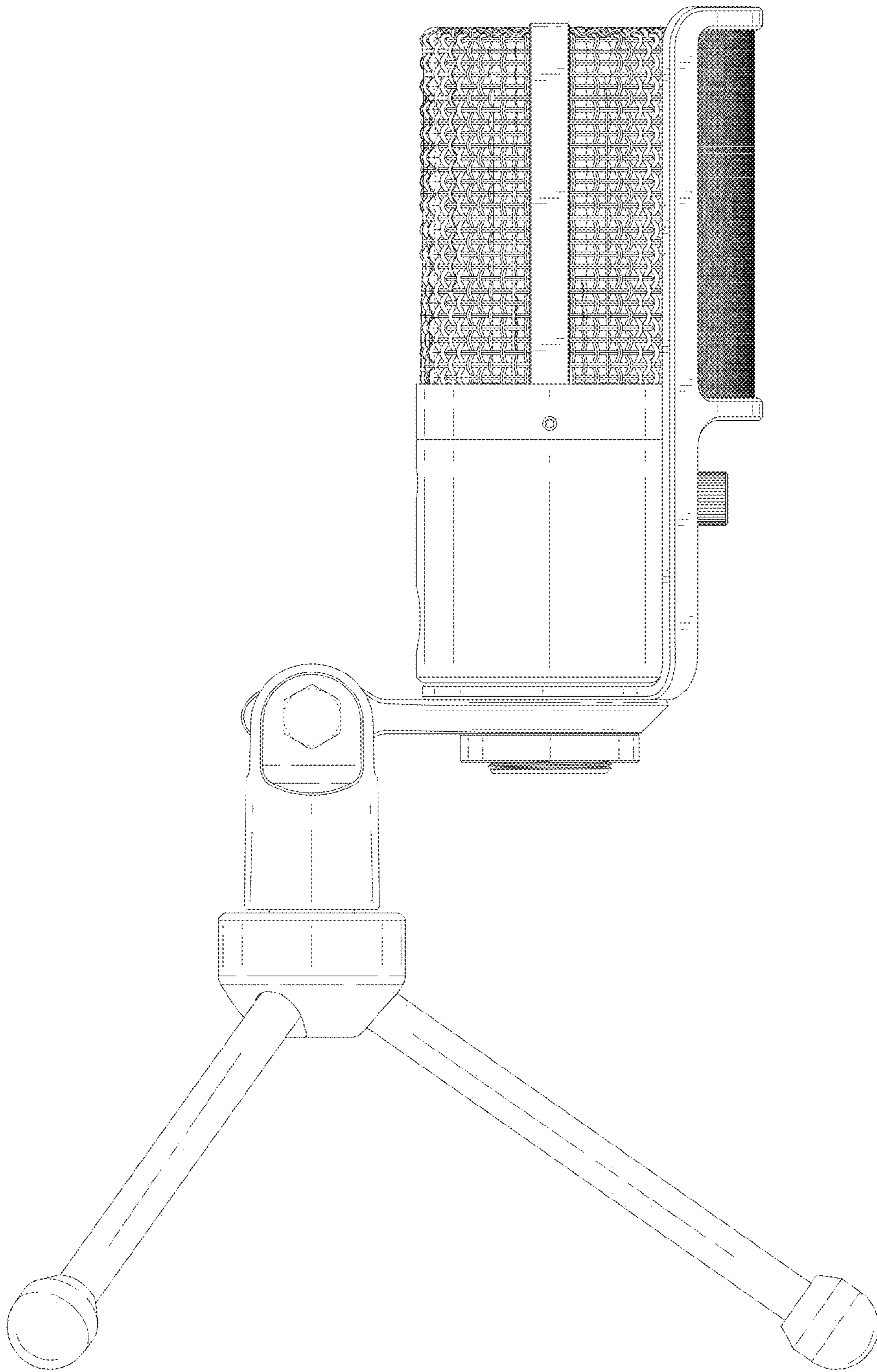


FIG. 11

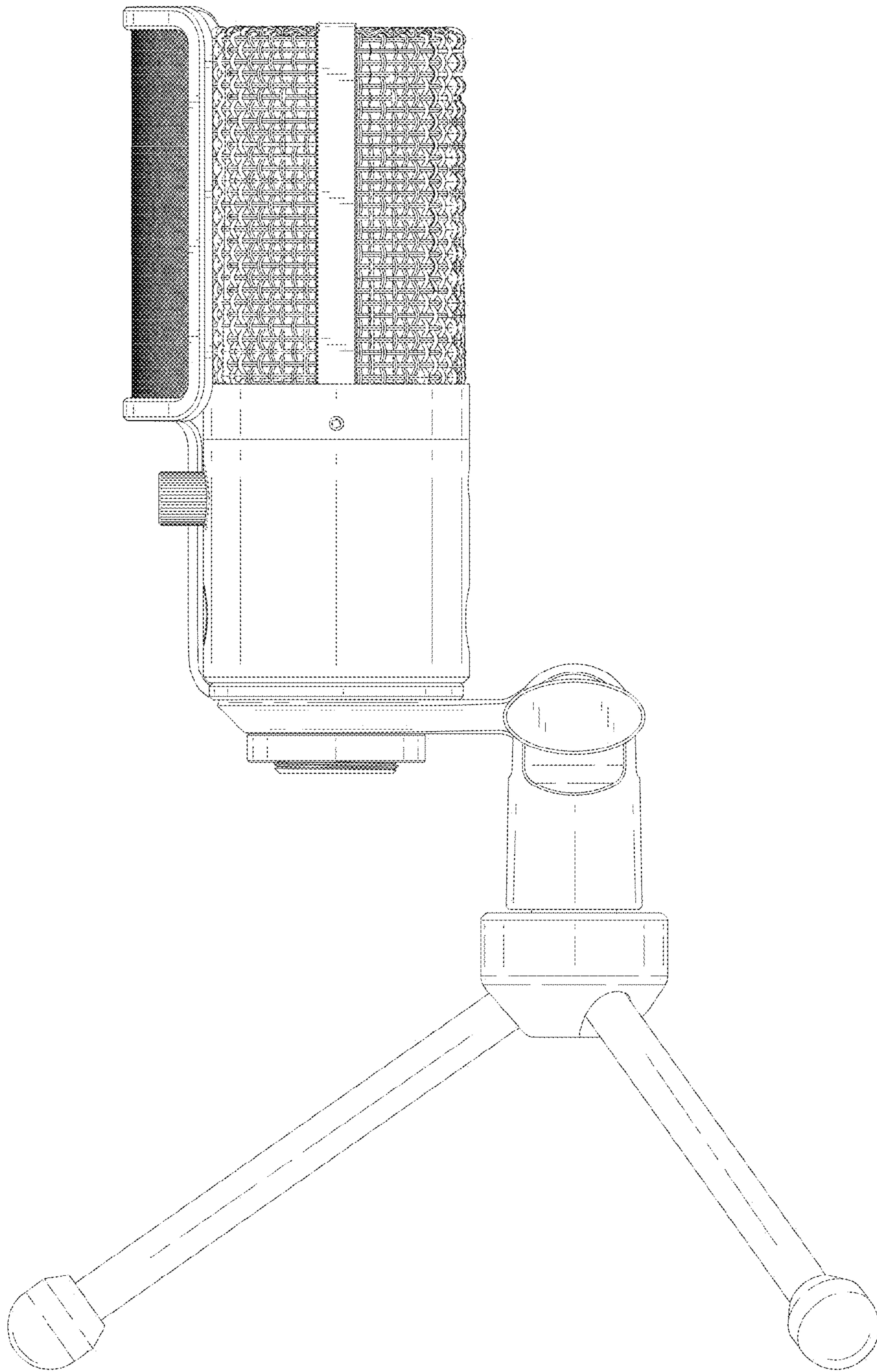


FIG. 12

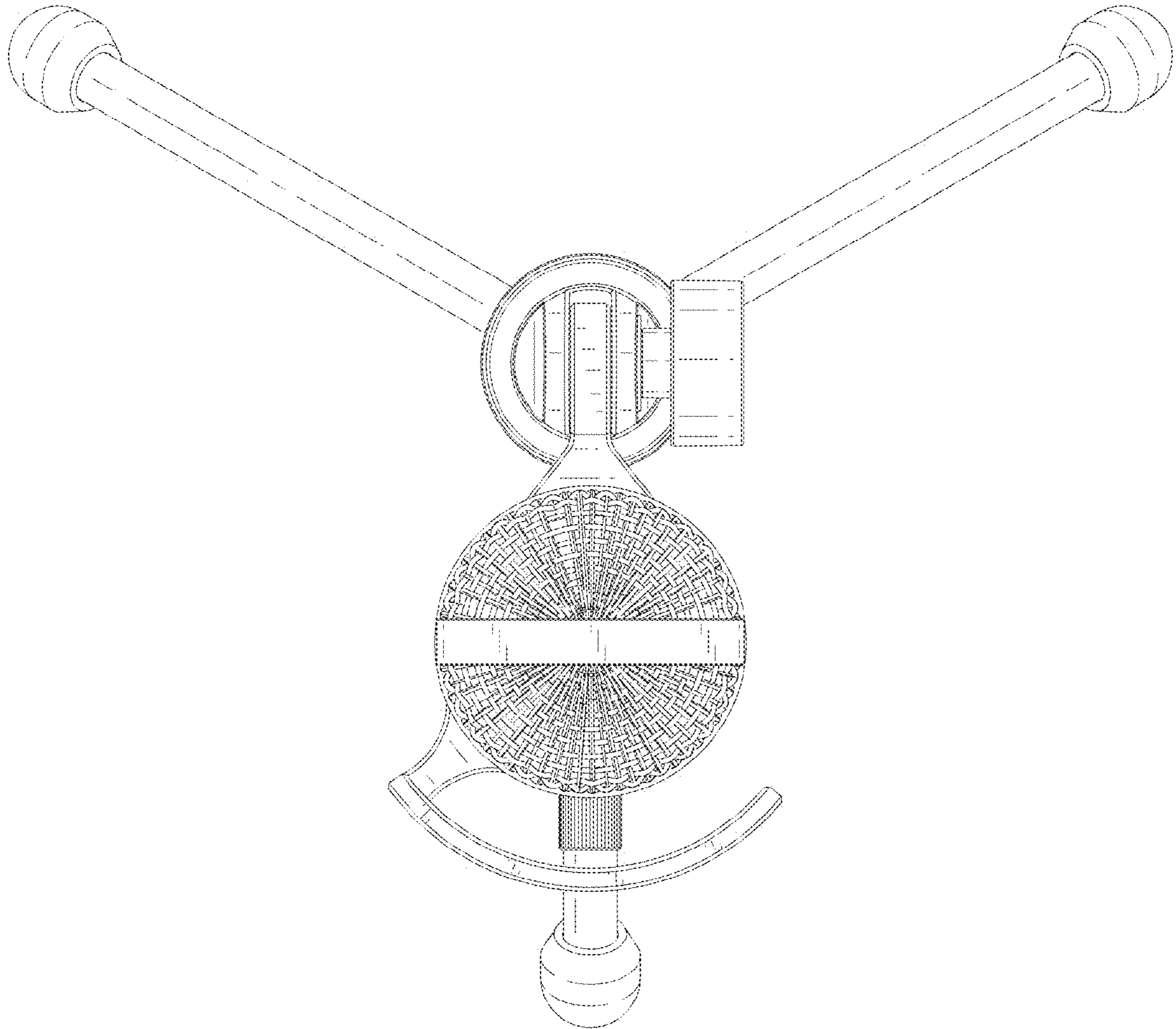


FIG. 13

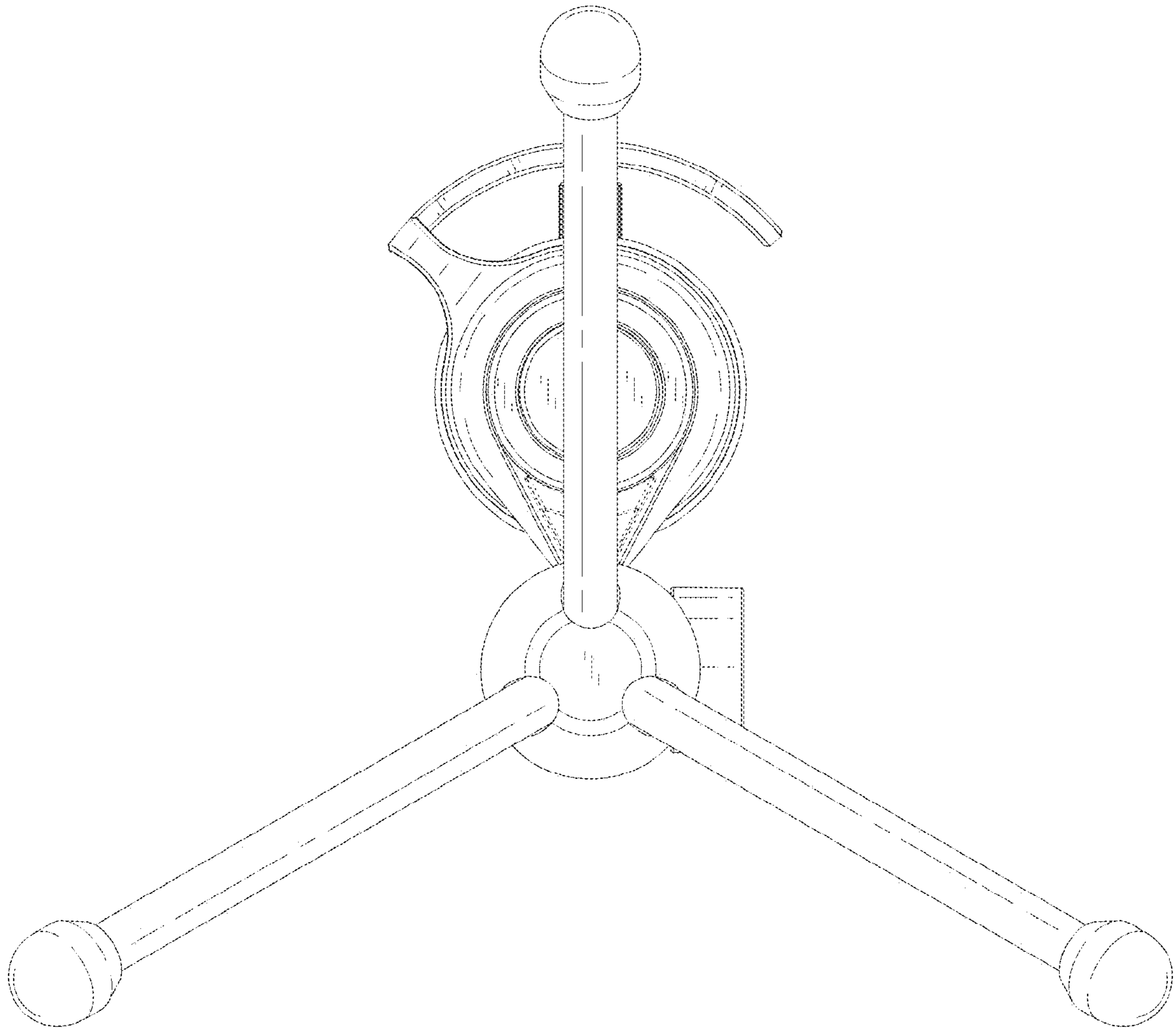


FIG. 14