



US00D983151S

(12) **United States Design Patent**
Murata

(10) **Patent No.:** **US D983,151 S**

(45) **Date of Patent:** **** Apr. 11, 2023**

- (54) **EXHAUST LINER FOR REACTION TUBE**
- (71) Applicant: **KOKUSAI ELECTRIC CORPORATION**, Tokyo (JP)
- (72) Inventor: **Satoru Murata**, Toyama (JP)
- (73) Assignee: **KOKUSAI ELECTRIC CORPORATION**, Tokyo (JP)
- (**) Term: **15 Years**
- (21) Appl. No.: **29/749,785**
- (22) Filed: **Sep. 9, 2020**
- (51) **LOC (14) Cl.** **13-03**
- (52) **U.S. Cl.**
USPC **D13/182**
- (58) **Field of Classification Search**
USPC D13/182, 184, 199, 107; D15/144.1
CPC F02F 1/004; F02F 1/08; F02F 1/16; F02F 1/4271; F02F 1/257; F02F 1/264; C23C 16/4412; C23C 16/4581; H01L 21/67109; H01L 21/67248
See application file for complete search history.

5,385,530	A *	1/1995	Wu	A61N 1/0472	601/21
6,117,292	A *	9/2000	Ahmad	G01N 27/414	422/82.03
D572,673	S *	7/2008	Kuriyama	D13/199	
D597,937	S *	8/2009	Haw	D13/107	
D611,013	S *	3/2010	Takahashi	D13/182	
8,145,319	B1 *	3/2012	Simon	A61N 1/326	607/51
D702,655	S *	4/2014	Kimura	D13/182	
D712,852	S *	9/2014	Krishnan	D13/182	
D888,196	S *	6/2020	Okajima	D23/213	
D901,564	S *	11/2020	Murata	D15/144.1	
D947,913	S *	4/2022	Patil	D13/199	
D956,005	S *	6/2022	Lindberg	D13/182	
D965,044	S *	9/2022	Patil	D13/199	
D965,740	S *	10/2022	Sambu	D23/213	
2005/0209591	A1 *	9/2005	Sutter	A61B 18/14	606/50

(Continued)

Primary Examiner — Christy Nemeth
Assistant Examiner — Leah E Hoeferkamp
 (74) *Attorney, Agent, or Firm* — Fitch, Even, Tabin & Flannery, LLP

(57) **CLAIM**

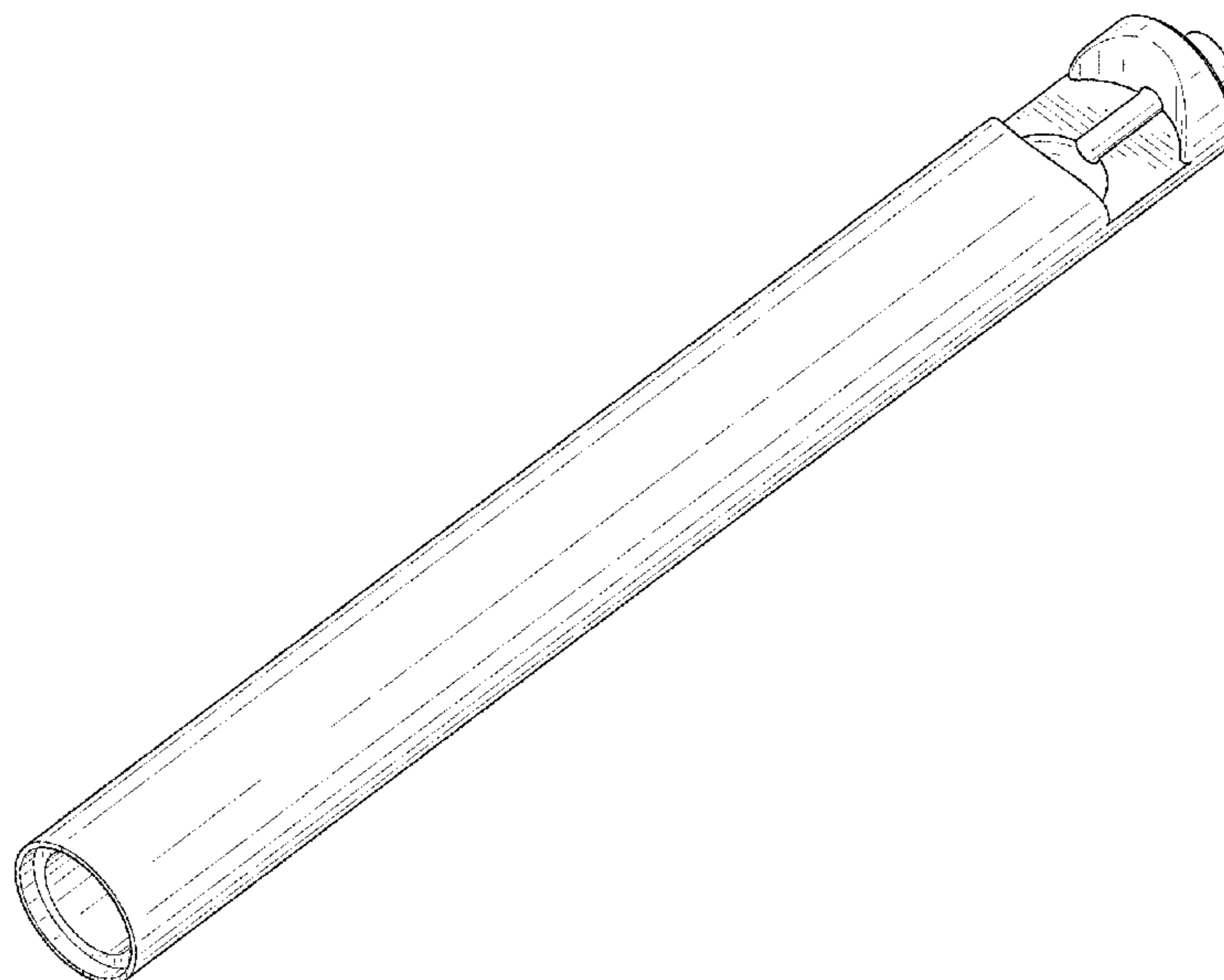
The ornamental design for an exhaust liner for reaction tube, as shown and described.

DESCRIPTION

FIG. 1 is a front, top and left side perspective view of an exhaust liner for reaction tube showing our new design; FIG. 2 is a front elevational view thereof; FIG. 3 is a left side elevational view thereof; FIG. 4 is a right side elevational view thereof; FIG. 5 is a top plan view thereof; FIG. 6 is a rear elevational view thereof; FIG. 7 is a bottom plan view thereof; and, FIG. 8 is a cross sectional view taken along line 8-8 in FIG. 5 thereof.

1 Claim, 3 Drawing Sheets

- (56) **References Cited**
U.S. PATENT DOCUMENTS
- 3,624,661 A * 11/1971 Shebanow G03G 15/325 178/30
- 4,479,865 A * 10/1984 Beder G01N 27/28 204/415
- 4,654,498 A * 3/1987 Sato B23Q 17/24 219/69.15
- 5,080,660 A * 1/1992 Buelna A61B 18/149 606/49
- 5,169,450 A * 12/1992 Opad H01T 19/00 427/535
- 5,184,432 A * 2/1993 Wilson B24B 19/16 451/385



(56)

References Cited

U.S. PATENT DOCUMENTS

2019/0038341 A1* 2/2019 Brockmann A61B 18/1477
2021/0210373 A1* 7/2021 Singu H01L 21/6838

* cited by examiner

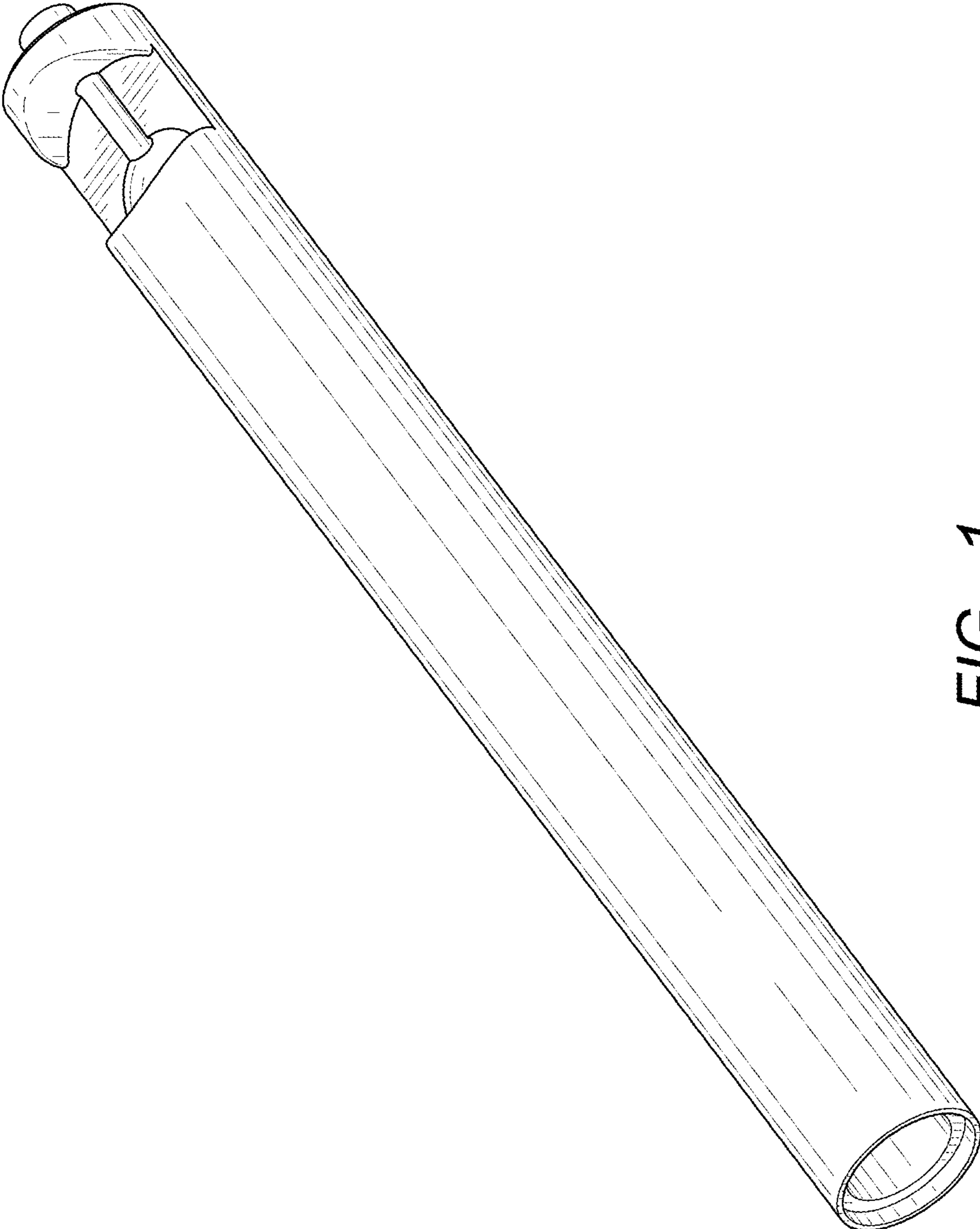


FIG. 1

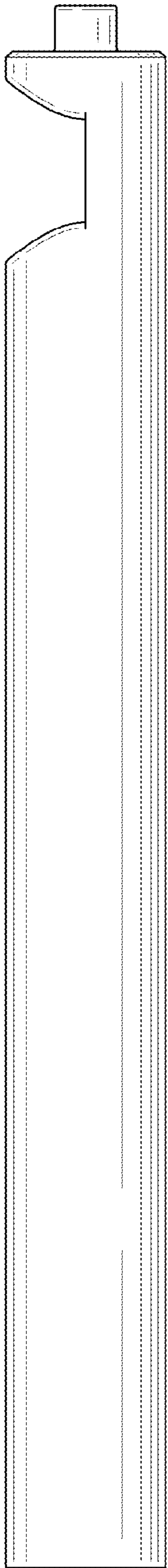


FIG. 2

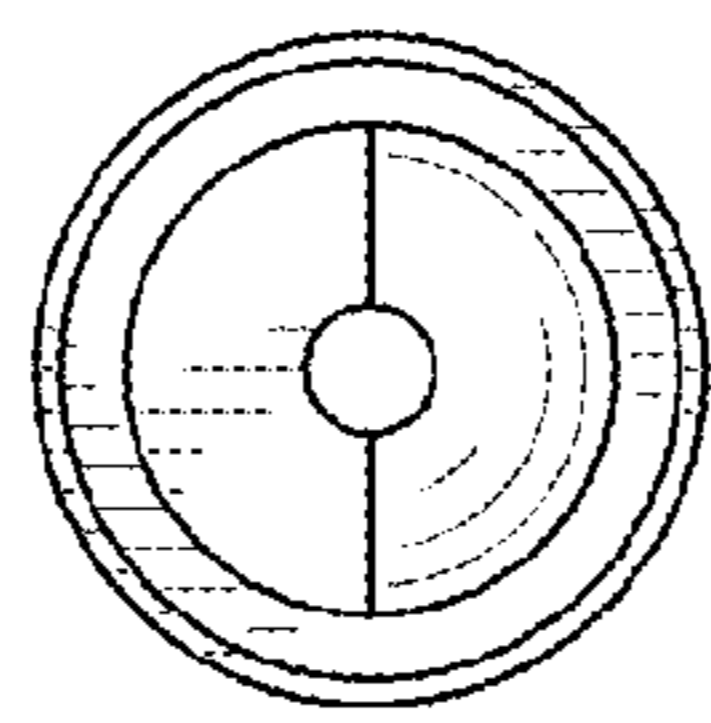


FIG. 3

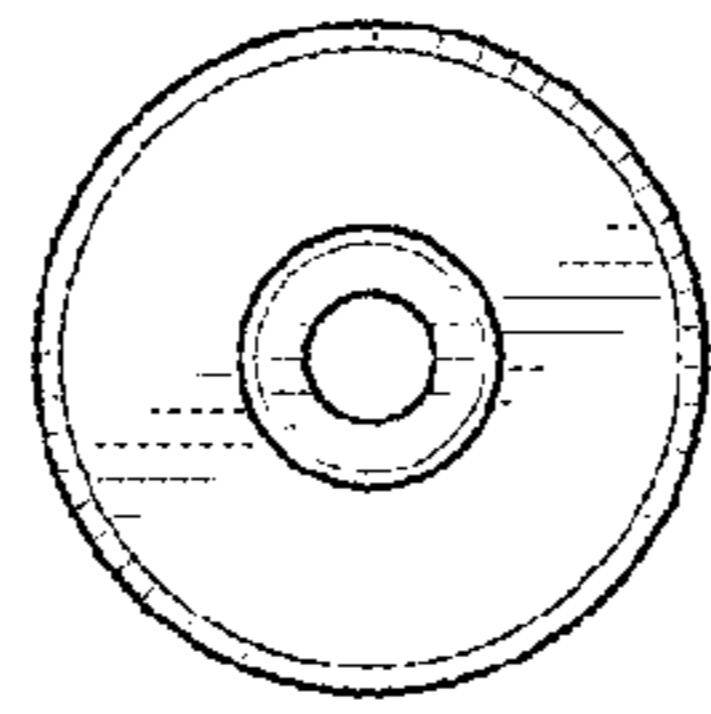


FIG. 4

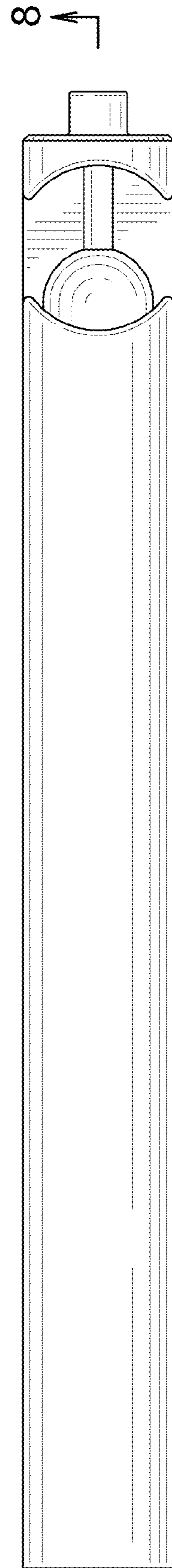


FIG. 5

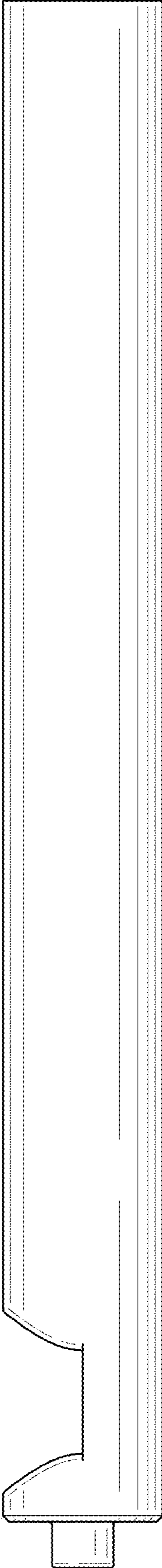


FIG. 6

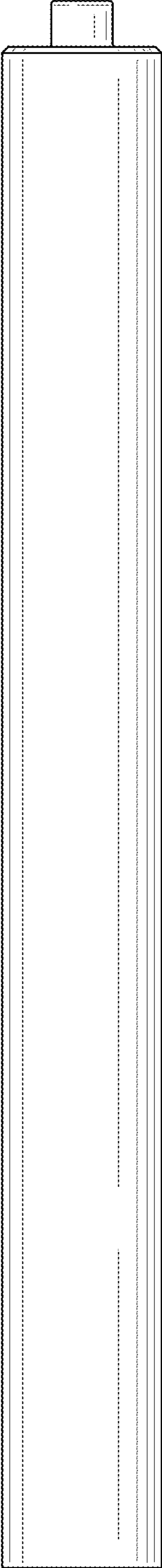


FIG. 7

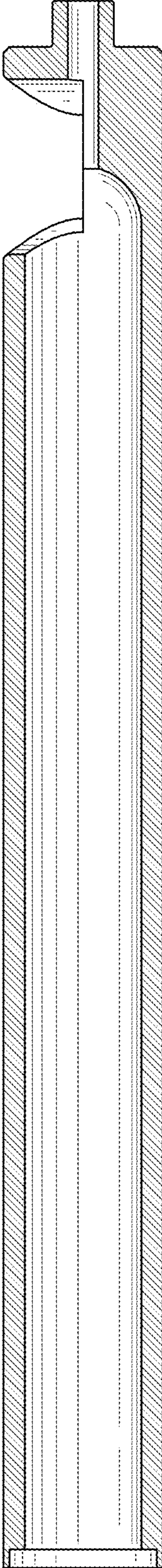


FIG. 8