



US00D983148S

(12) **United States Design Patent** (10) **Patent No.:** **US D983,148 S**
Wedding et al. (45) **Date of Patent:** **** Apr. 11, 2023**

(54) **CABLE HANGER**

(56) **References Cited**

(71) Applicant: **Cambria County Association for the Blind & Handicapped**, Johnstown, PA (US)

U.S. PATENT DOCUMENTS

(72) Inventors: **Timothy Joseph Wedding**, Johnstown, PA (US); **Paul Edward Martin**, Johnstown, PA (US)

4,099,299 A * 7/1978 Bruggert A01G 17/08
24/336
4,979,712 A * 12/1990 Rios A47K 10/04
D8/395
D432,316 S * 10/2000 Duggan D8/372
D532,074 S * 11/2006 Travis, Sr. D22/149
D679,095 S * 4/2013 Williams D3/328
D692,838 S * 11/2013 Winn H02G 3/0443
D13/155
D699,556 S * 2/2014 Hendricks D8/394
D742,727 S * 11/2015 Martin D8/367
2016/0153587 A1 * 6/2016 Smith H02G 3/30
29/515

(73) Assignee: **CAMBRIA COUNTY ASSOCIATION FOR THE BLIND AND HANDICAPPED**, Johnstown, PA (US)

(**) Term: **15 Years**

* cited by examiner

(21) Appl. No.: **29/856,400**

Primary Examiner — Derrick E Holland

(22) Filed: **Oct. 13, 2022**

(74) *Attorney, Agent, or Firm* — Eckert Seamans Cherin & Mellott, LLC

Related U.S. Application Data

(57) **CLAIM**

(63) Continuation of application No. 29/829,409, filed on Mar. 4, 2022, now Pat. No. Des. 969,750, which is a continuation of application No. 29/764,688, filed on Dec. 31, 2020, now Pat. No. Des. 949,112.

The ornamental design for a cable hanger, as shown and described.

(51) **LOC (14) Cl.** **13-03**

DESCRIPTION

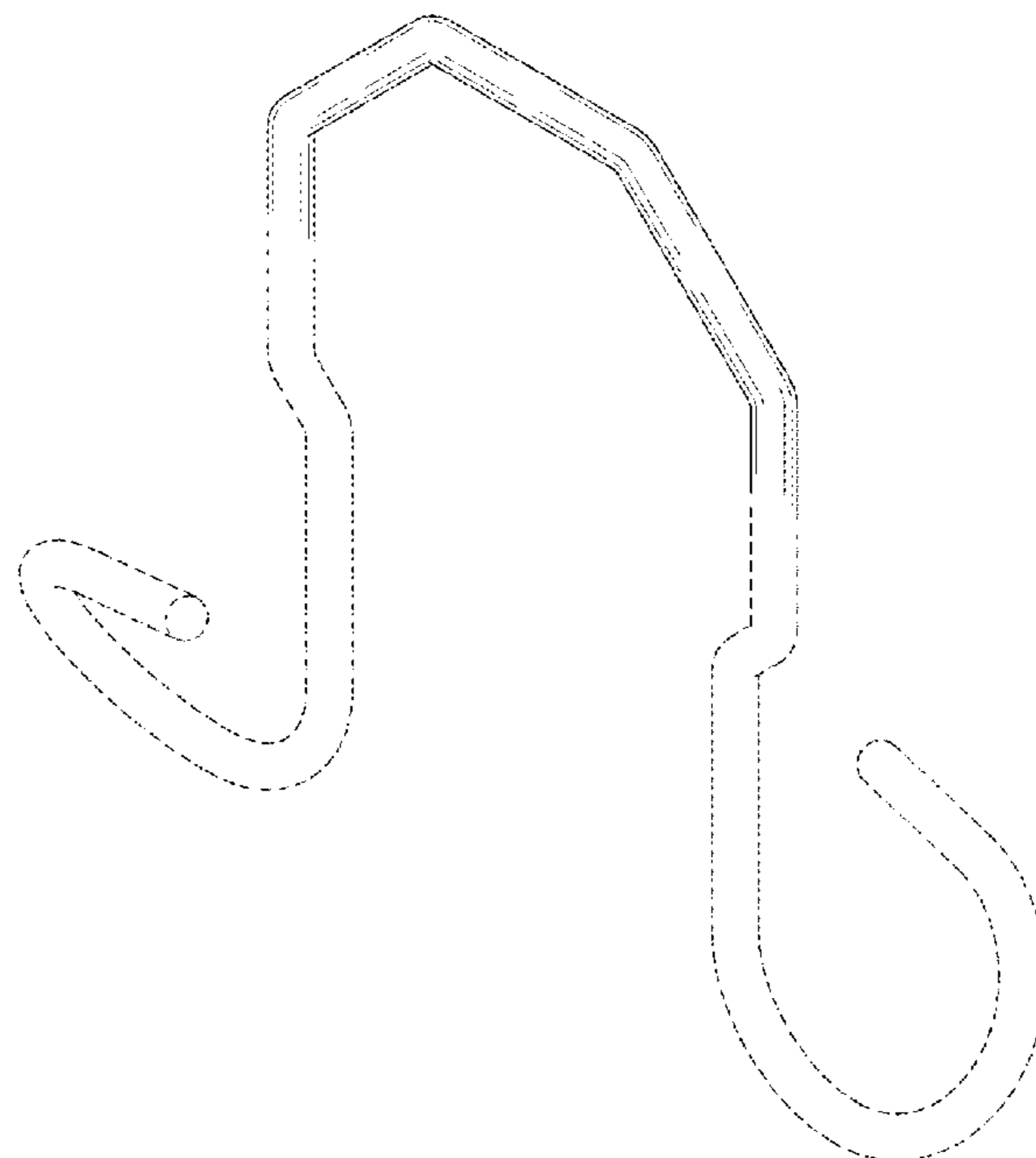
(52) **U.S. Cl.**
USPC **D13/154; D8/367**

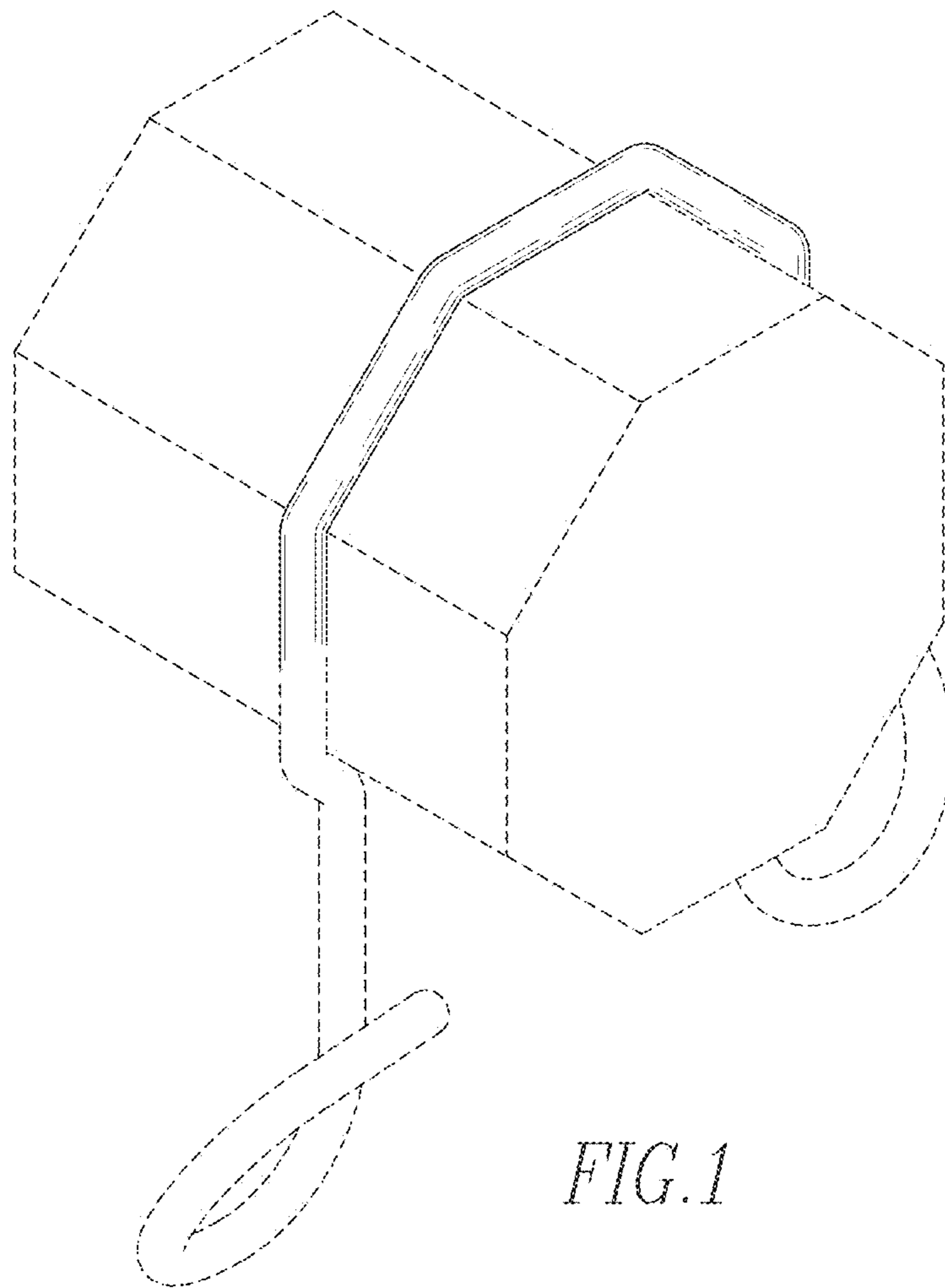
(58) **Field of Classification Search**
USPC D13/133, 154, 155, 156, 157, 184, 199;
D8/349, 352, 356, 367, 372, 396
CPC F16L 3/127; F16L 3/133; F16L 3/233;
A47G 29/083; A47K 3/281; A47K 10/04;
H02G 3/0456; H02G 7/10; A63B 21/0557
See application file for complete search history.

FIG. 1 is a first isometric view of a cable hanger showing our new design;
FIG. 2 is a second isometric view of the cable hanger;
FIG. 3 is a front view of the cable hanger;
FIG. 4 is a rear view of the cable hanger
FIG. 5 is a top view of the cable hanger;
FIG. 6 is a bottom view of the cable hanger;
FIG. 7 is a left view of the cable hanger; and,
FIG. 8 is a right view of the cable hanger.

The broken lines in the drawings depict environmental subject matter only and form no part of the claimed design.

1 Claim, 6 Drawing Sheets





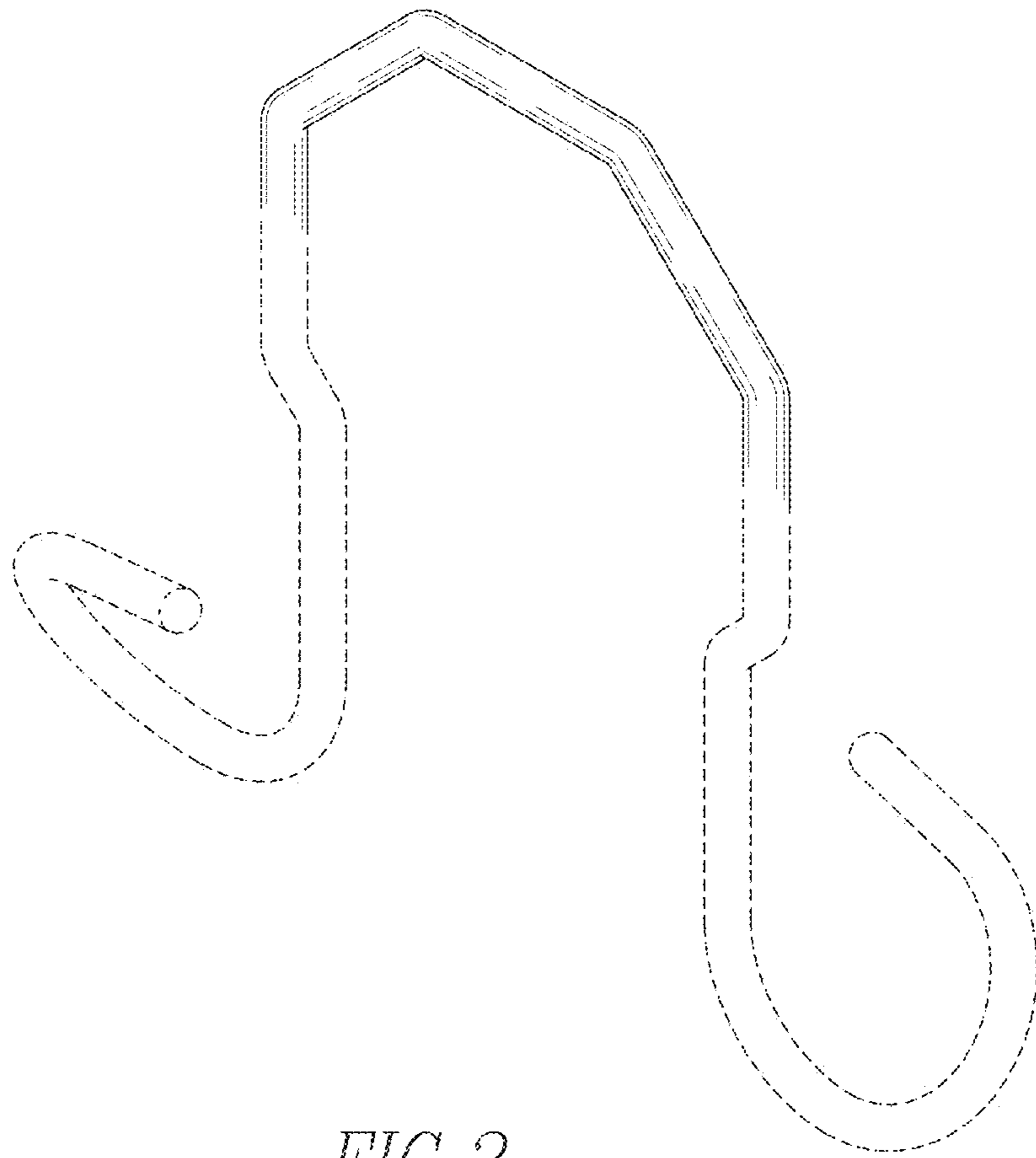


FIG. 2

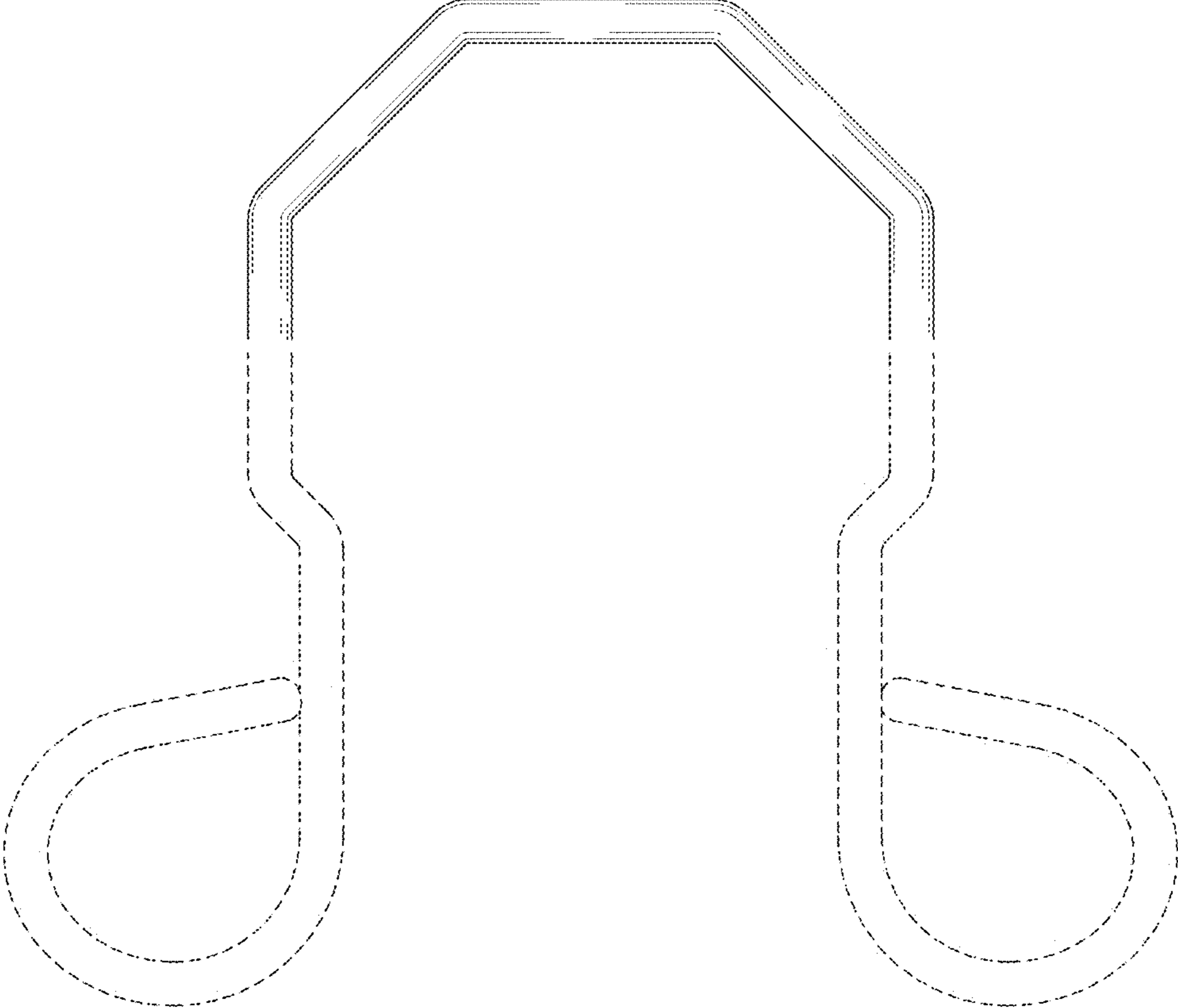


FIG. 3

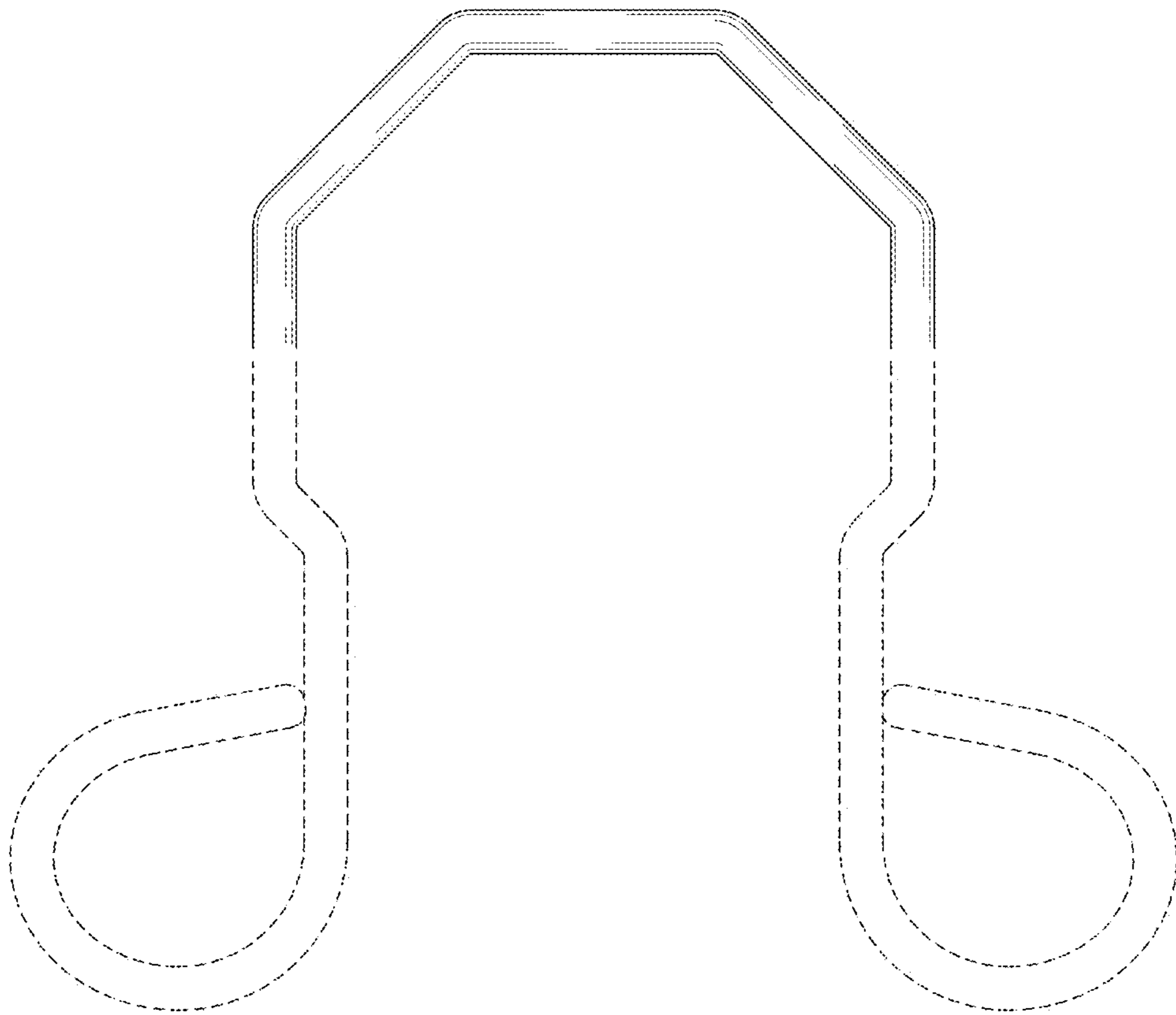


FIG. 4

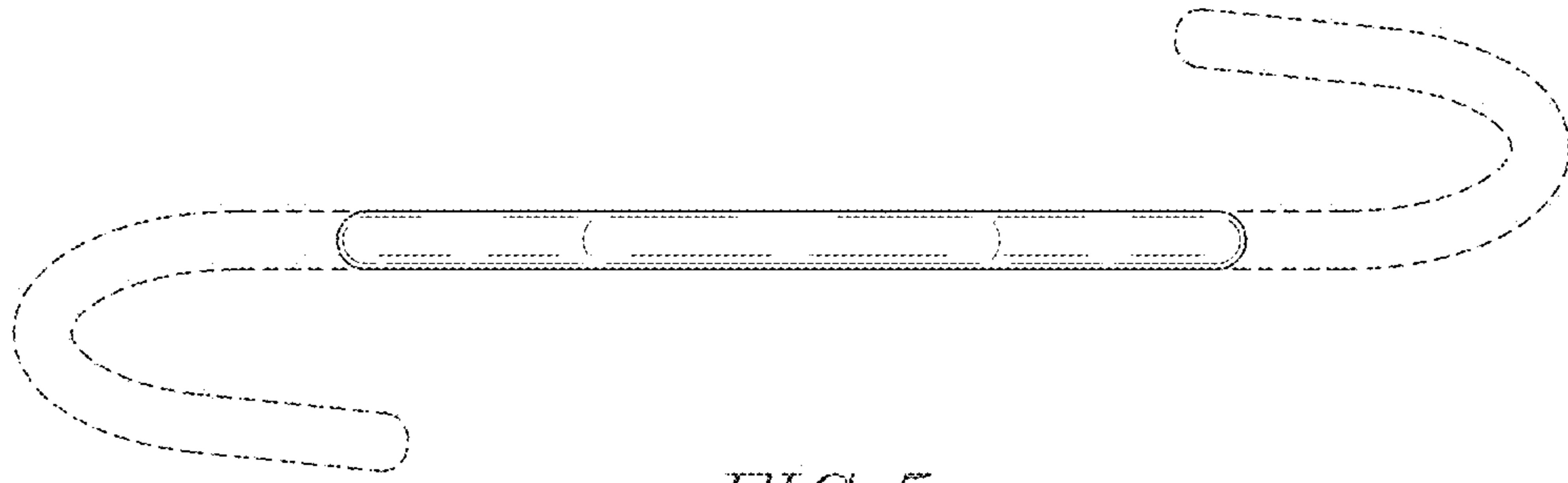


FIG. 5

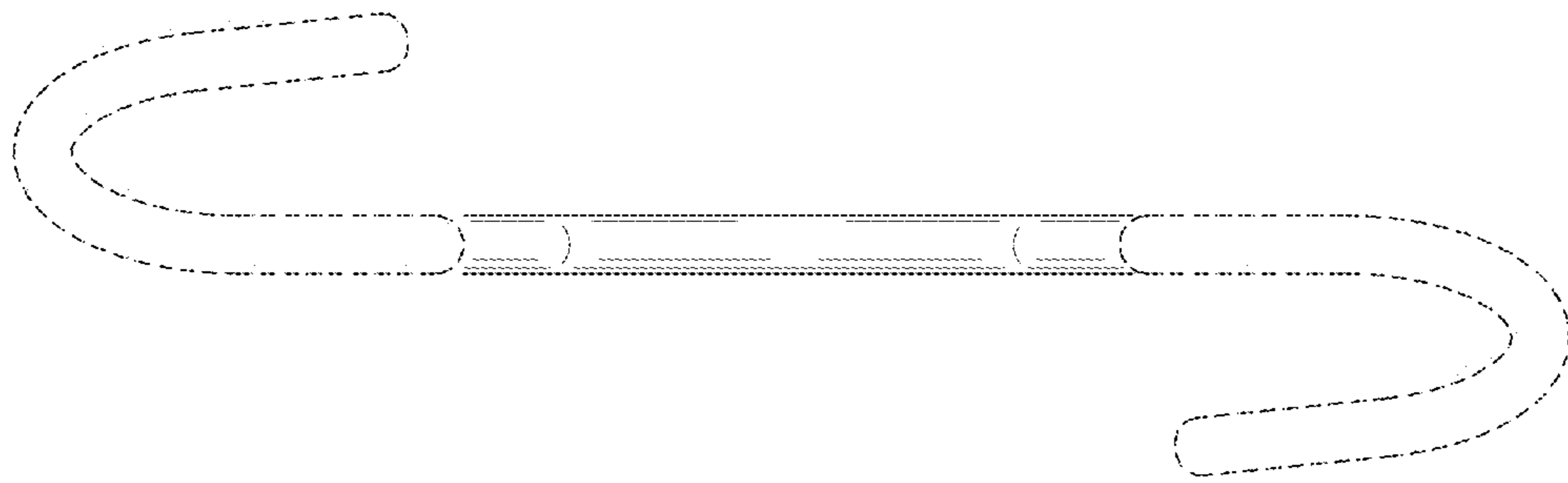


FIG. 6

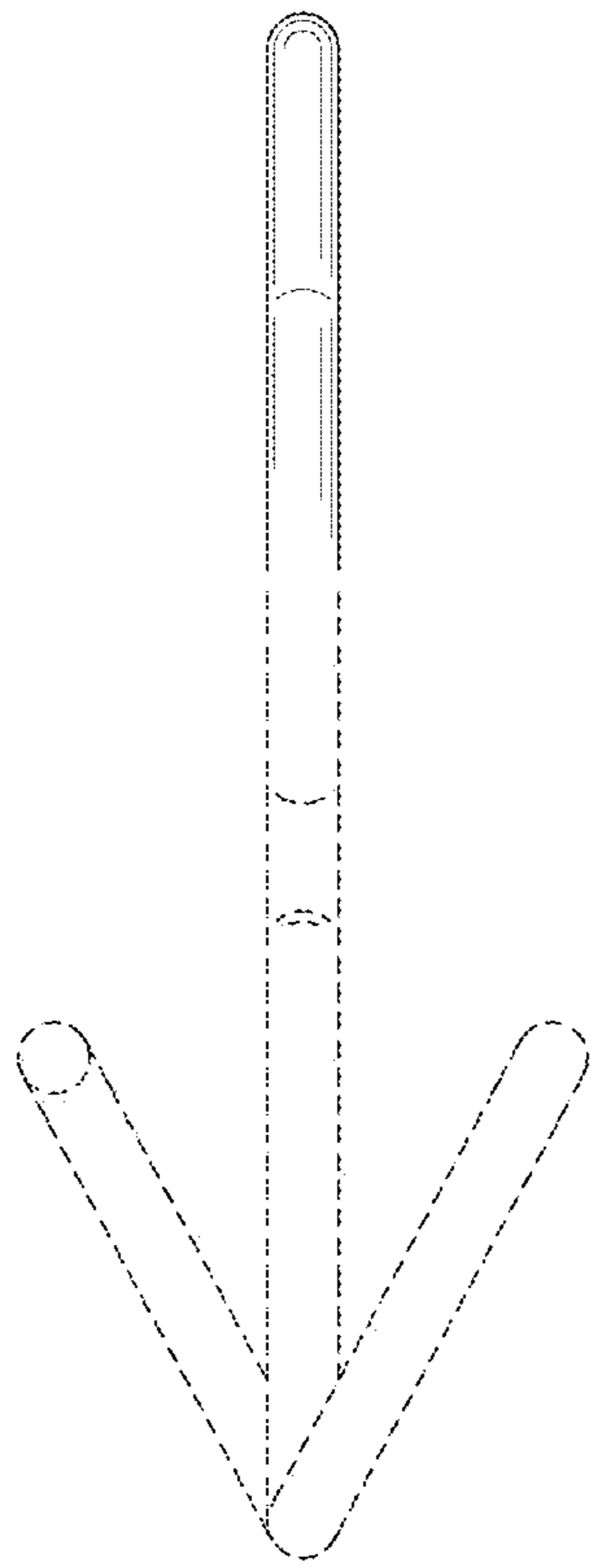


FIG. 7

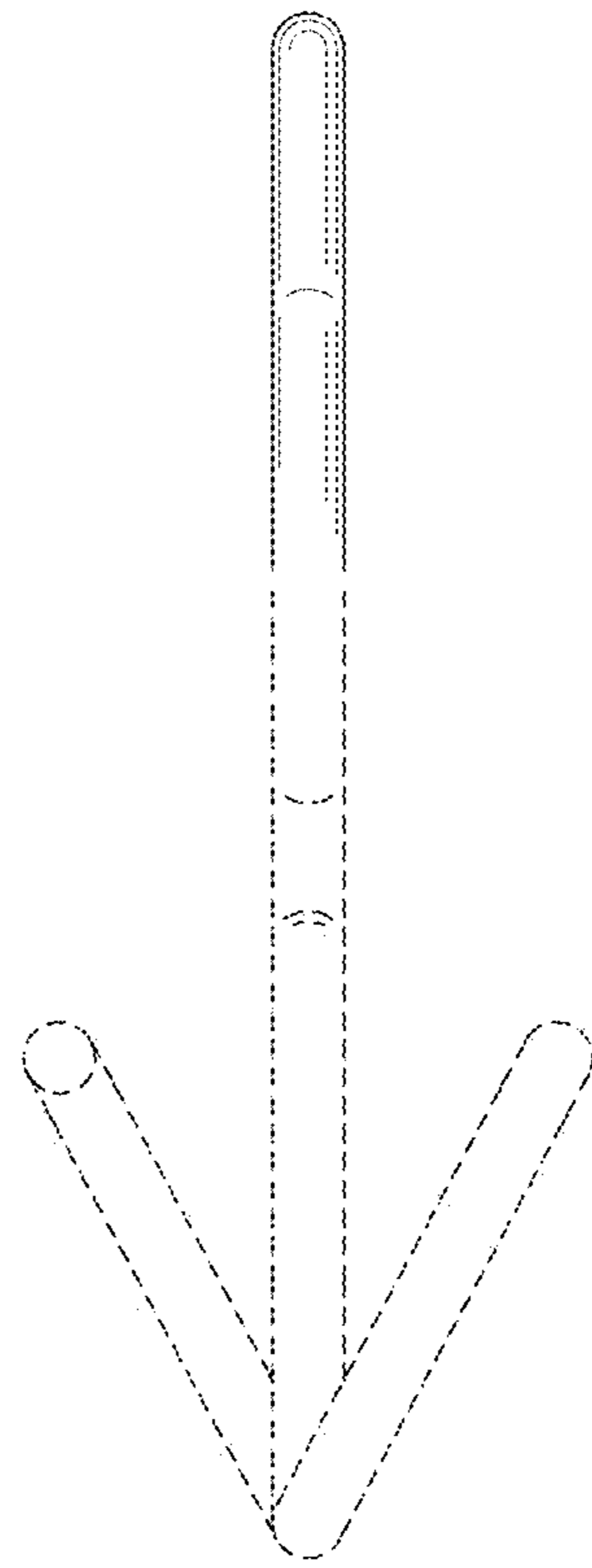


FIG. 8