



US00D983144S

(12) **United States Design Patent**
Mei

(10) **Patent No.:** **US D983,144 S**

(45) **Date of Patent:** **** Apr. 11, 2023**

(54) **ELECTRICAL PLUG**

(71) Applicant: **Zhengguang Mei**, Yangzhou (CN)

(72) Inventor: **Zhengguang Mei**, Yangzhou (CN)

(**) Term: **15 Years**

(21) Appl. No.: **29/870,046**

(22) Filed: **Jan. 15, 2023**

(51) **LOC (14) Cl.** **13-03**

(52) **U.S. Cl.**
USPC **D13/138.2**

(58) **Field of Classification Search**
USPC ... D13/138.1–138.2, 137.1, 160, 110, 139.7;
D14/433
CPC H01R 13/516; H01R 31/06
See application file for complete search history.

(56) **References Cited**

U.S. PATENT DOCUMENTS

D151,571 S *	10/1948	Tillinghast	439/148
D292,700 S *	11/1987	Rauch	D13/137.1
5,613,863 A *	3/1997	Klaus	H01R 31/06
			D13/110
D402,962 S *	12/1998	Hedrick	D13/138.2
D498,462 S *	11/2004	Andre	D13/138.2
D620,889 S *	8/2010	Smith	D13/138.2
D646,640 S *	10/2011	Clymer	D13/160
D705,735 S *	5/2014	Zaslavsky	D13/139.7
D705,736 S *	5/2014	Zaslavsky	D13/139.7
9,017,104 B2 *	4/2015	Powley	H01R 13/516
			439/668
D763,794 S *	8/2016	Akana	D13/137.1
D765,082 S *	8/2016	Allen, Sr.	D14/433
D796,440 S	9/2017	Gzybowski	

D820,208 S *	6/2018	Lemelson	D13/110
D845,898 S *	4/2019	Laffon de Mazieres	D13/110
D875,040 S *	2/2020	Stern	D13/137.1
D899,371 S *	10/2020	Kusano	D13/137.1
D926,698 S	8/2021	Yu	
D975,018 S *	1/2023	Mei	D13/137.1

* cited by examiner

Primary Examiner — Rhea Shields

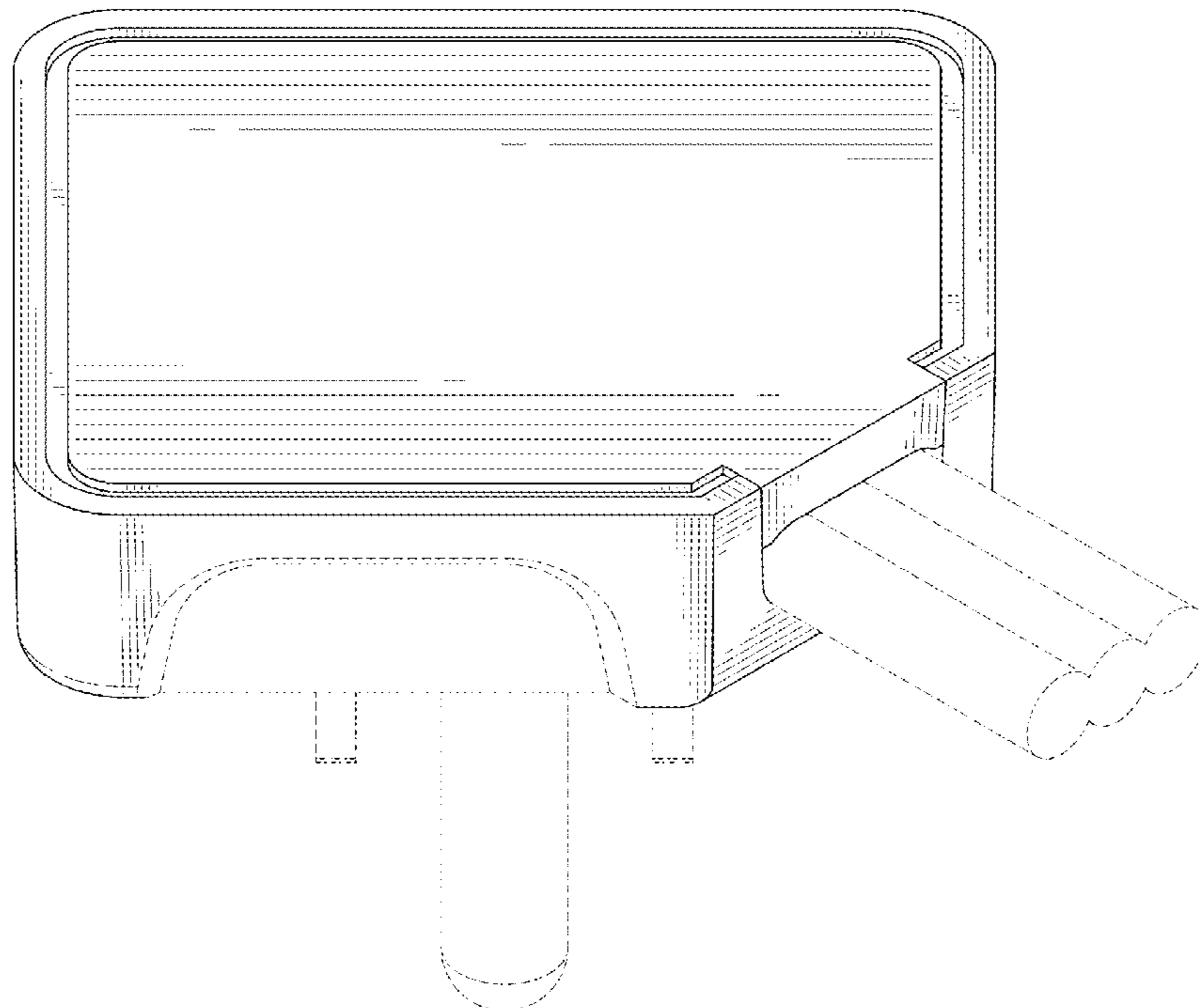
(57) **CLAIM**

The ornamental design for an electrical plug, as shown and described.

DESCRIPTION

FIG. 1 is a perspective view of an electrical plug of a first embodiment showing my new design;
 FIG. 2 is another perspective view thereof;
 FIG. 3 is a front elevational view thereof;
 FIG. 4 is a rear elevational view thereof;
 FIG. 5 is a left side elevational view thereof;
 FIG. 6 is a right side elevational view thereof;
 FIG. 7 is a top plan view thereof;
 FIG. 8 is a bottom plan view thereof;
 FIG. 9 is a perspective view of an electrical plug of a second embodiment showing my new design;
 FIG. 10 is another perspective view thereof;
 FIG. 11 is a front elevational view thereof;
 FIG. 12 is a rear elevational view thereof;
 FIG. 13 is a left side elevational view thereof;
 FIG. 14 is a right side elevational view thereof;
 FIG. 15 is a top plan view thereof; and,
 FIG. 16 is a bottom plan view thereof.
 The broken lines in the drawings depict portions of the electrical plug that form no part of the claimed design.

1 Claim, 16 Drawing Sheets



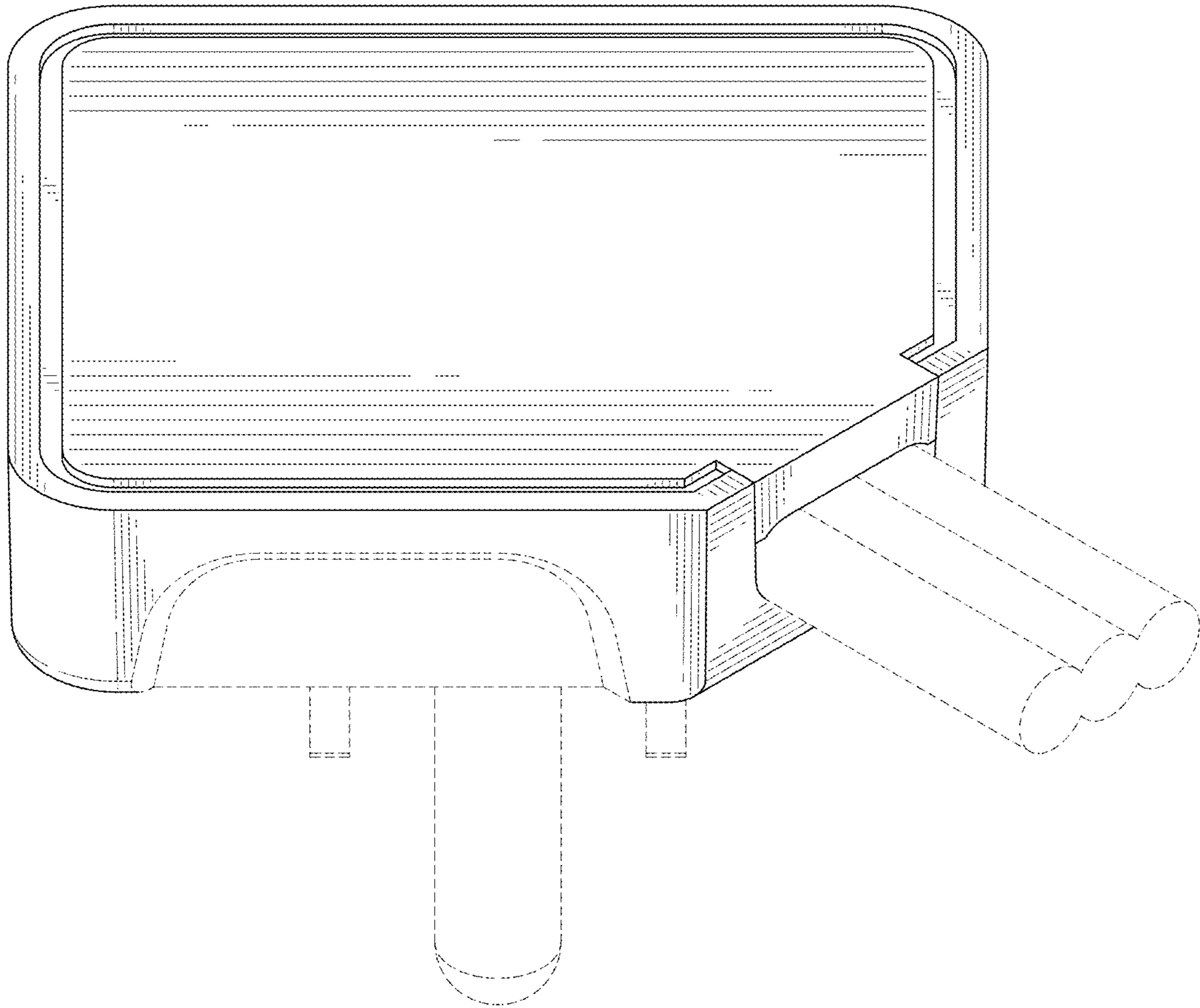


FIG. 1

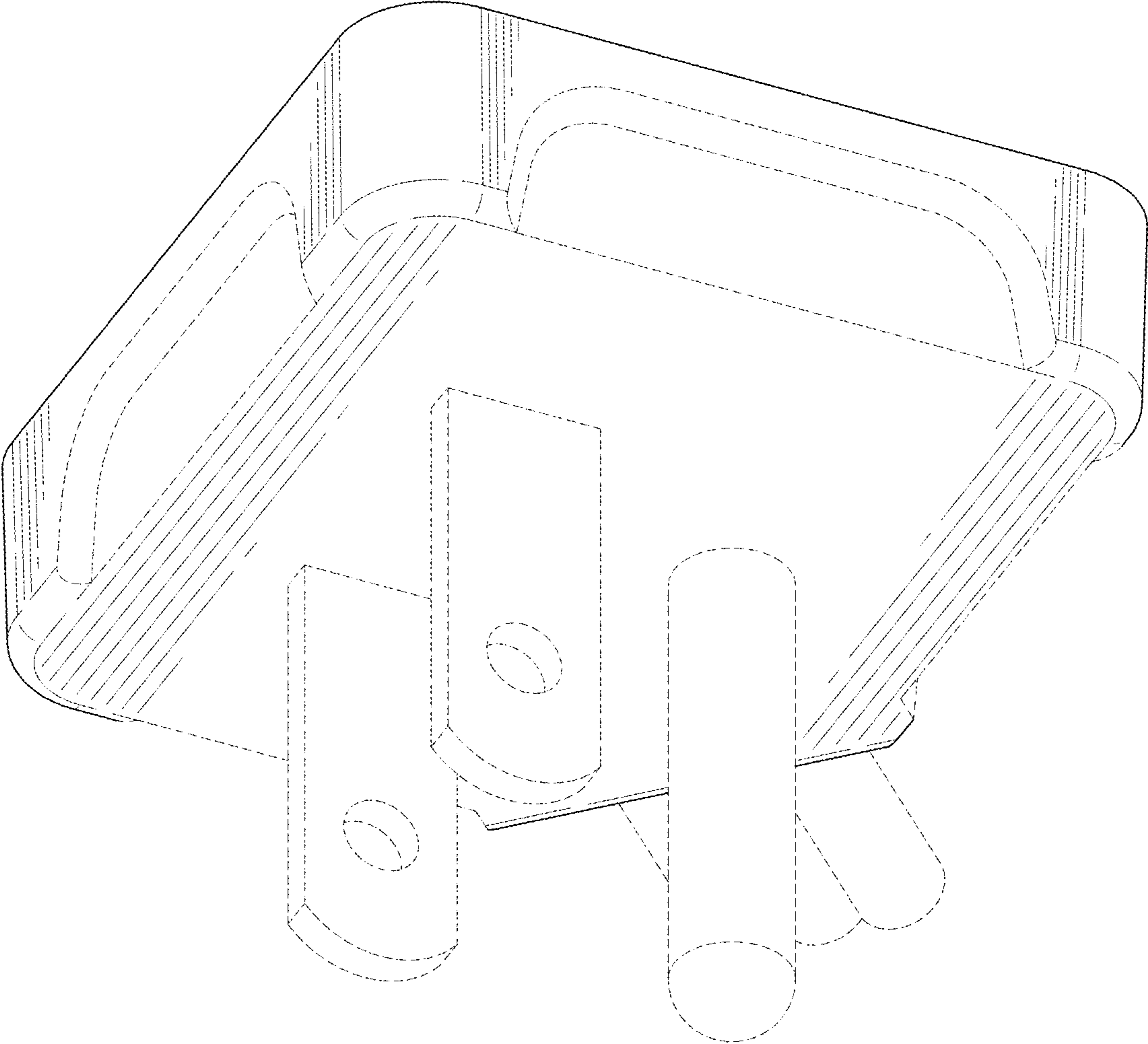


FIG. 2

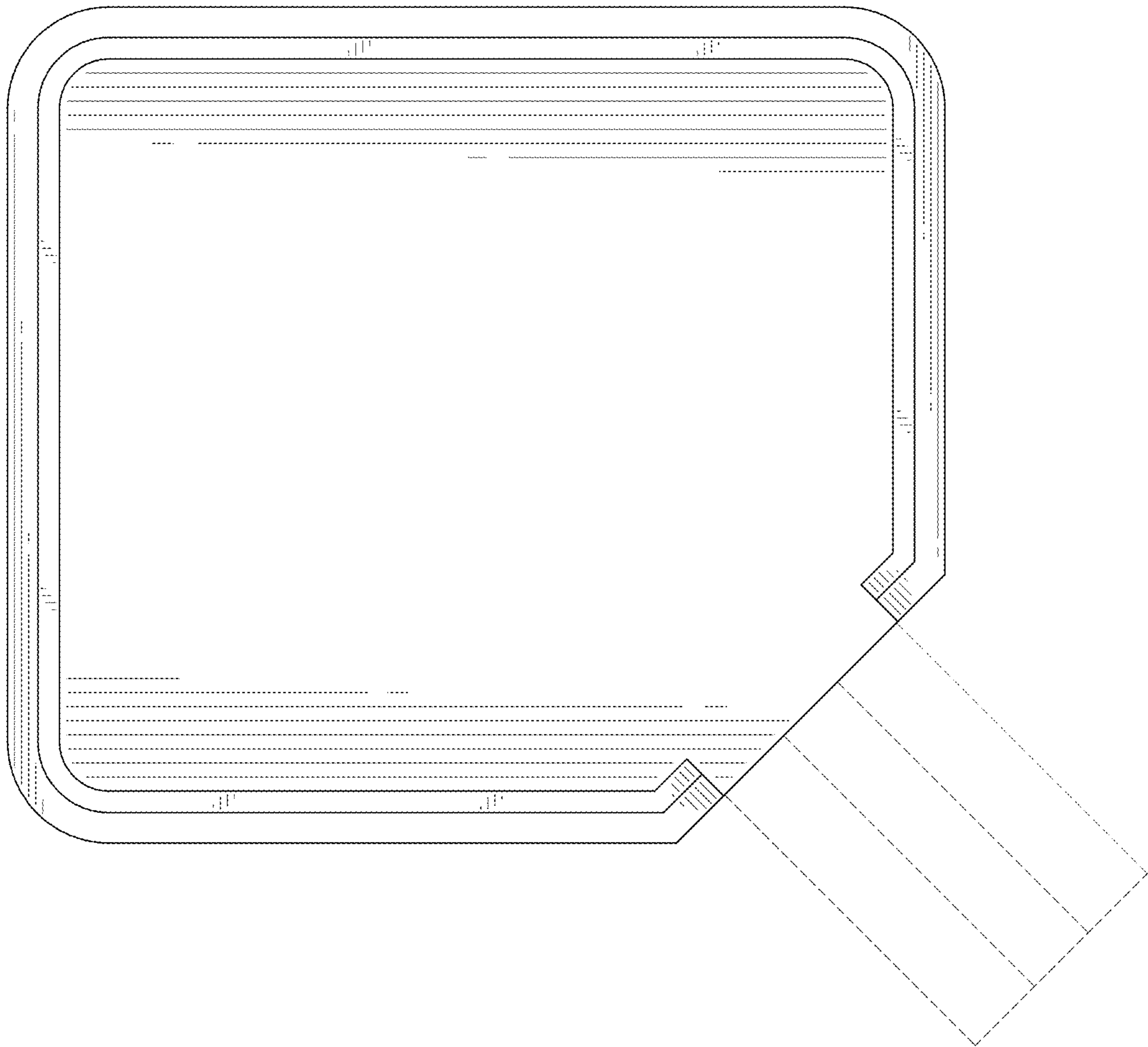


FIG. 3

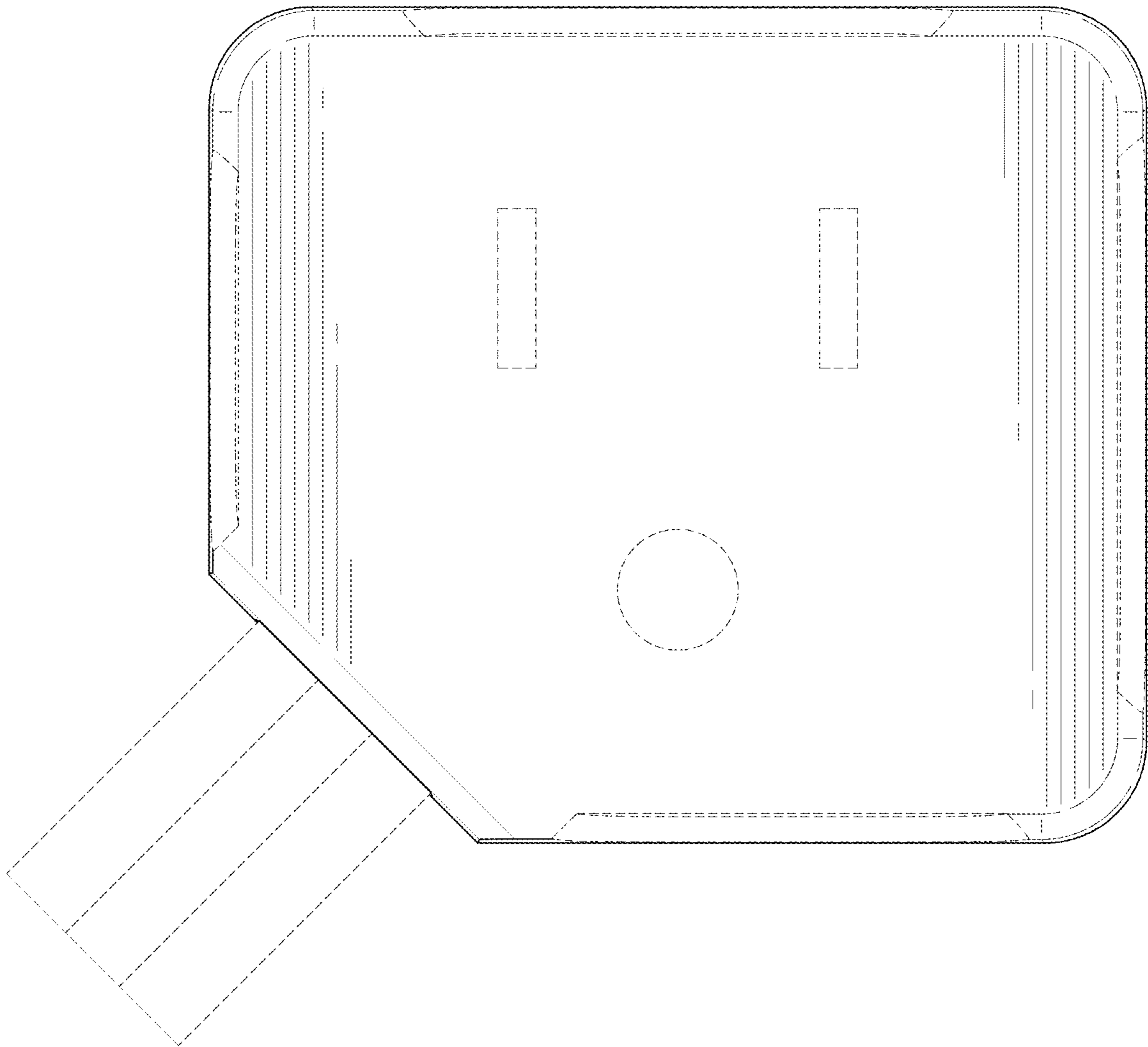


FIG. 4

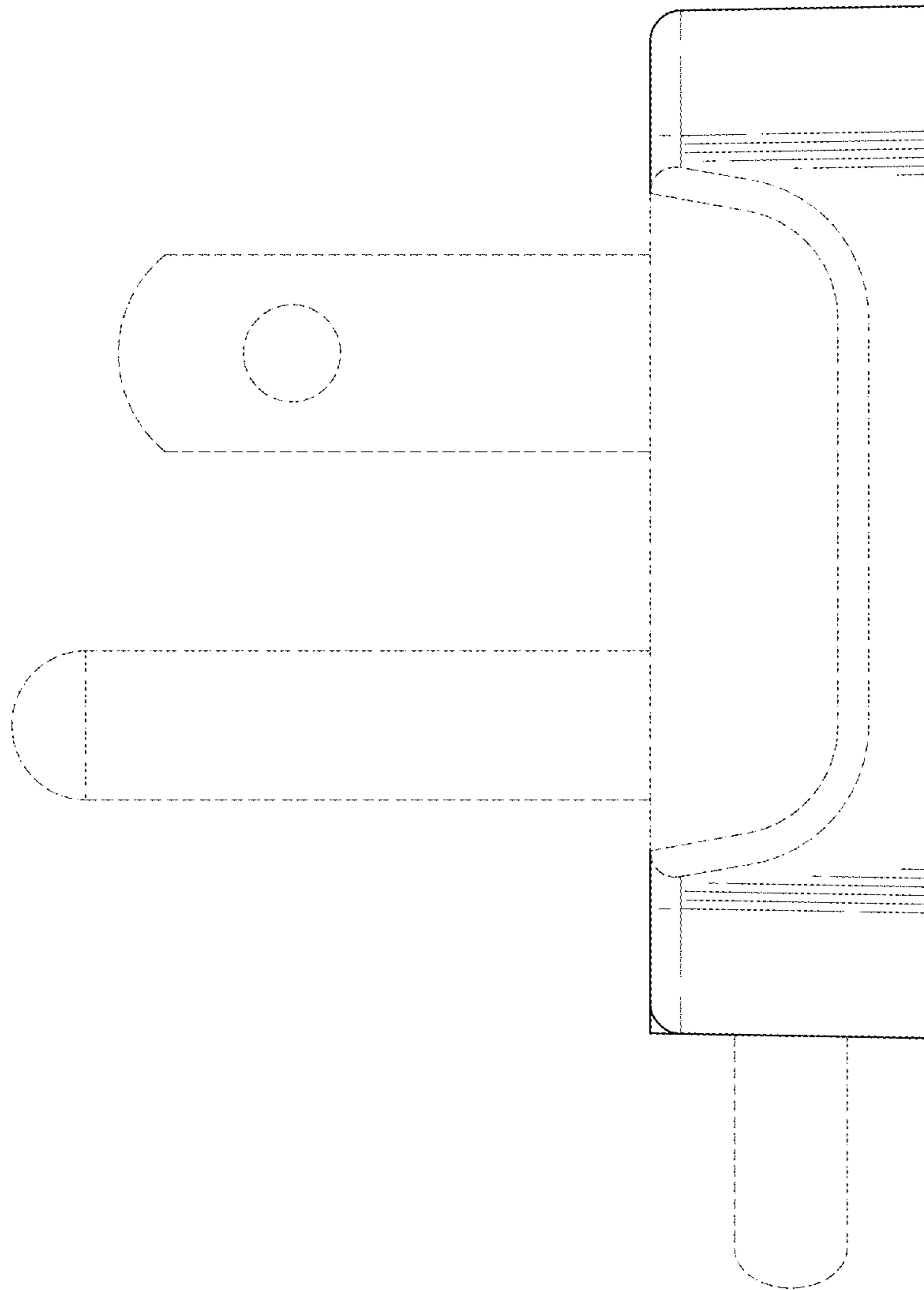


FIG. 5

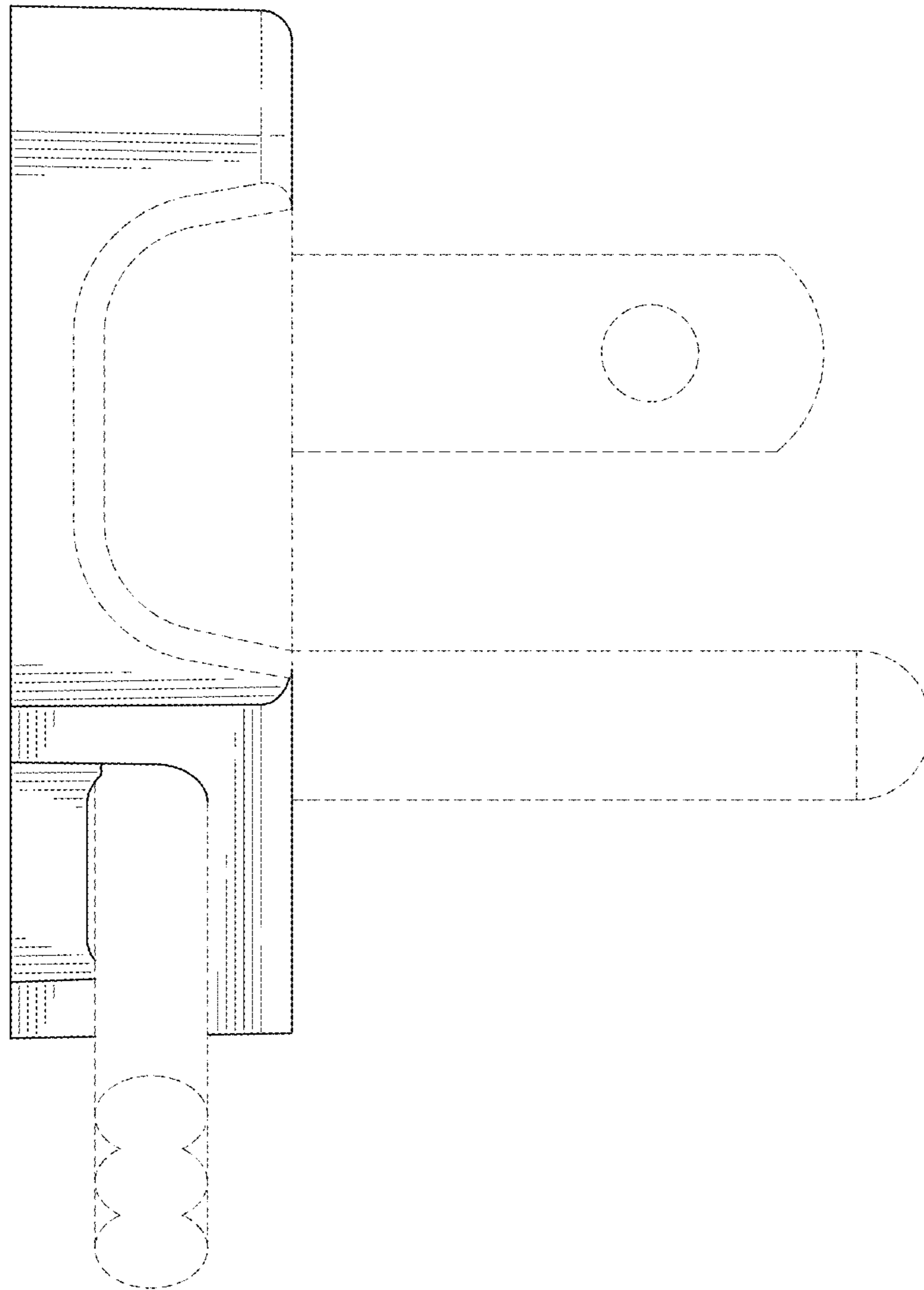


FIG. 6

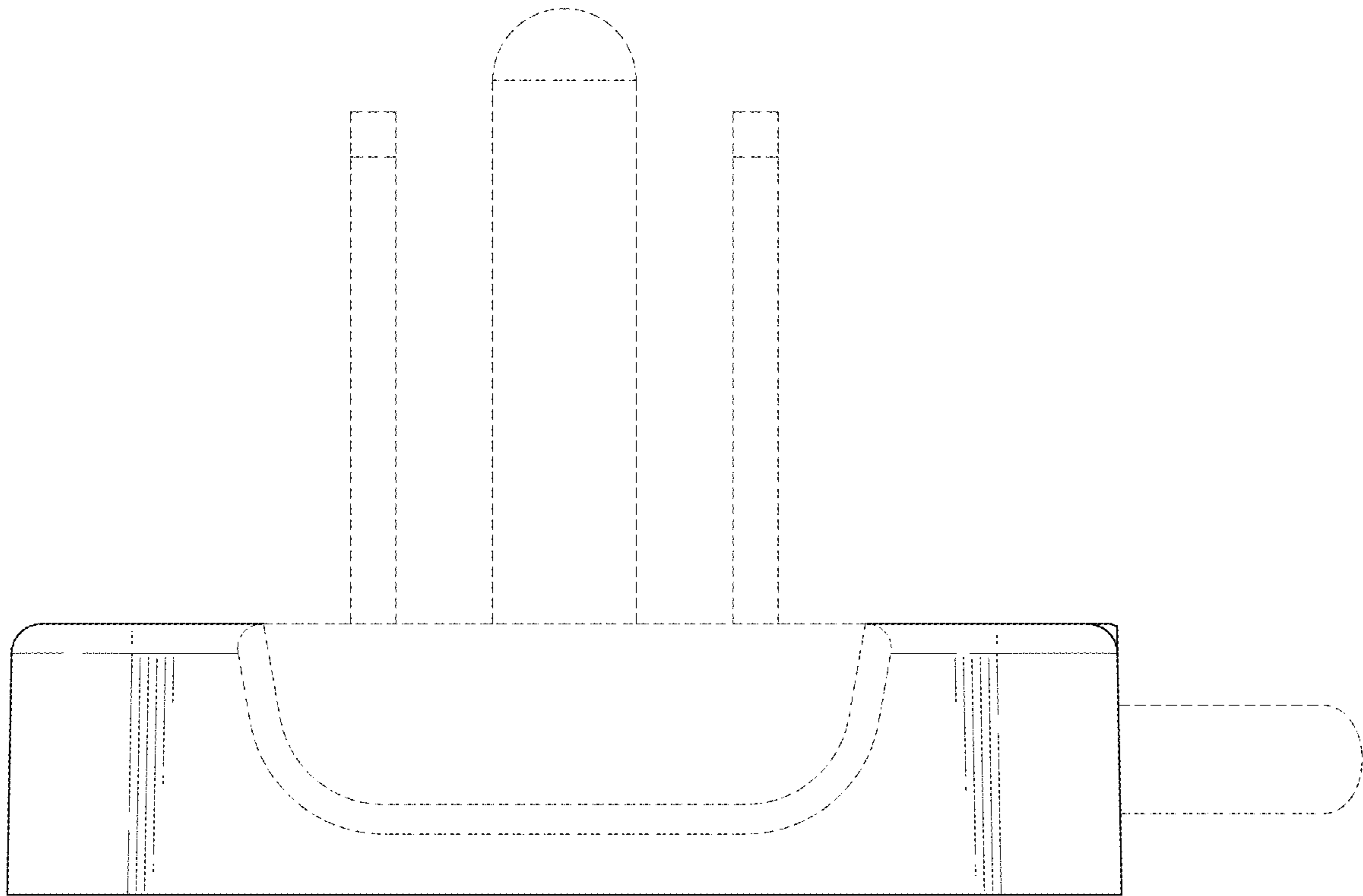


FIG. 7

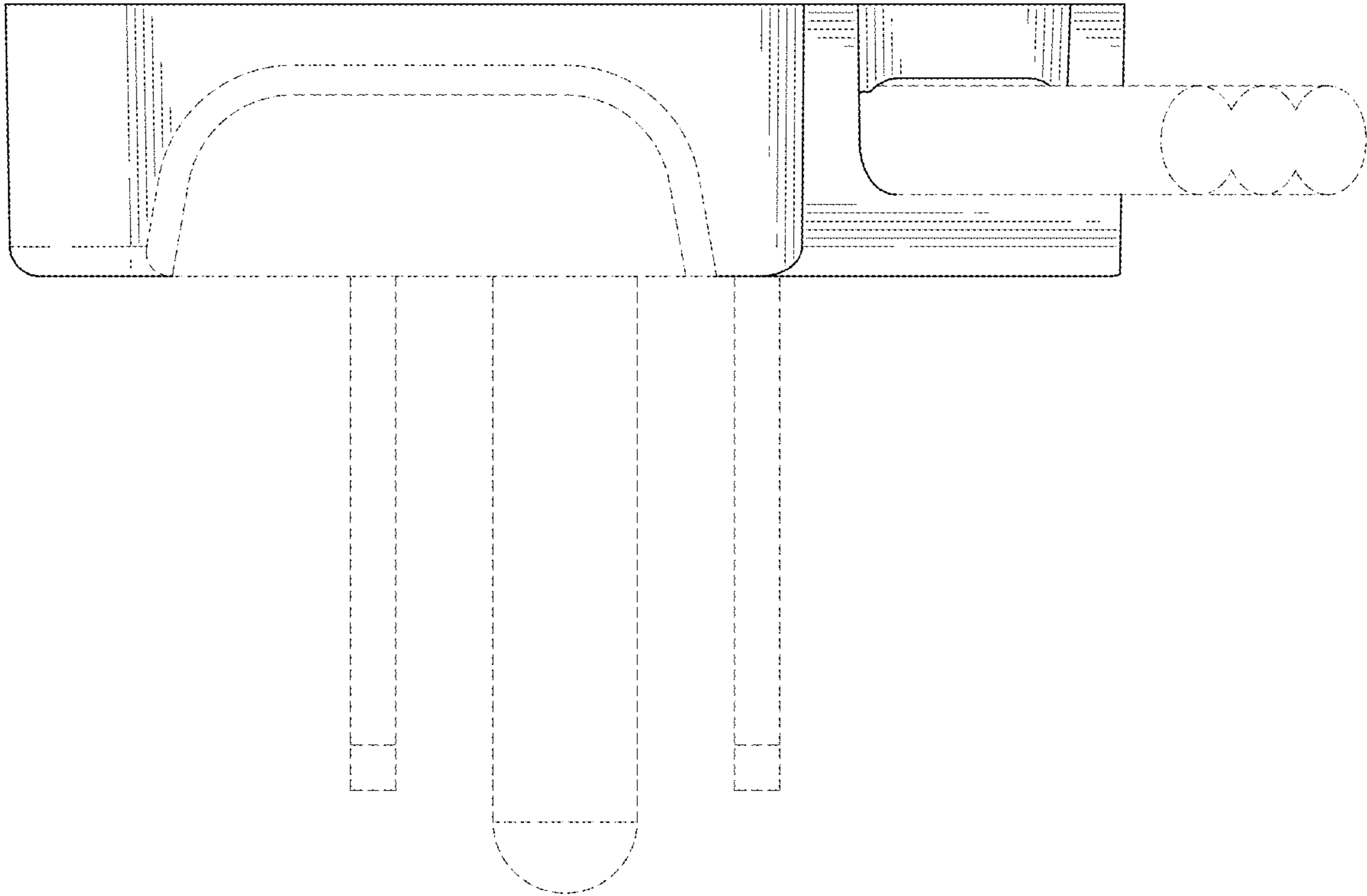


FIG. 8

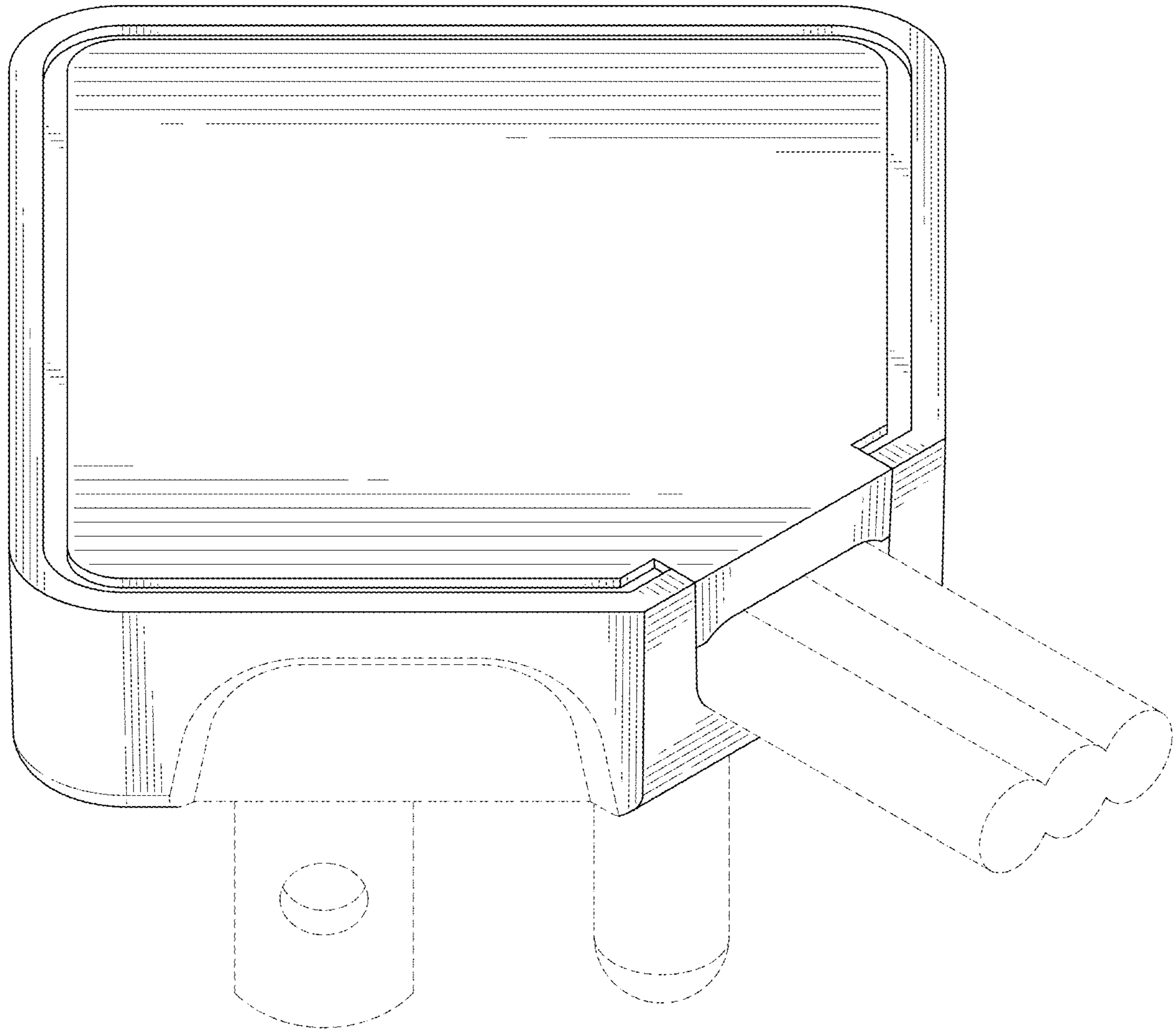


FIG. 9

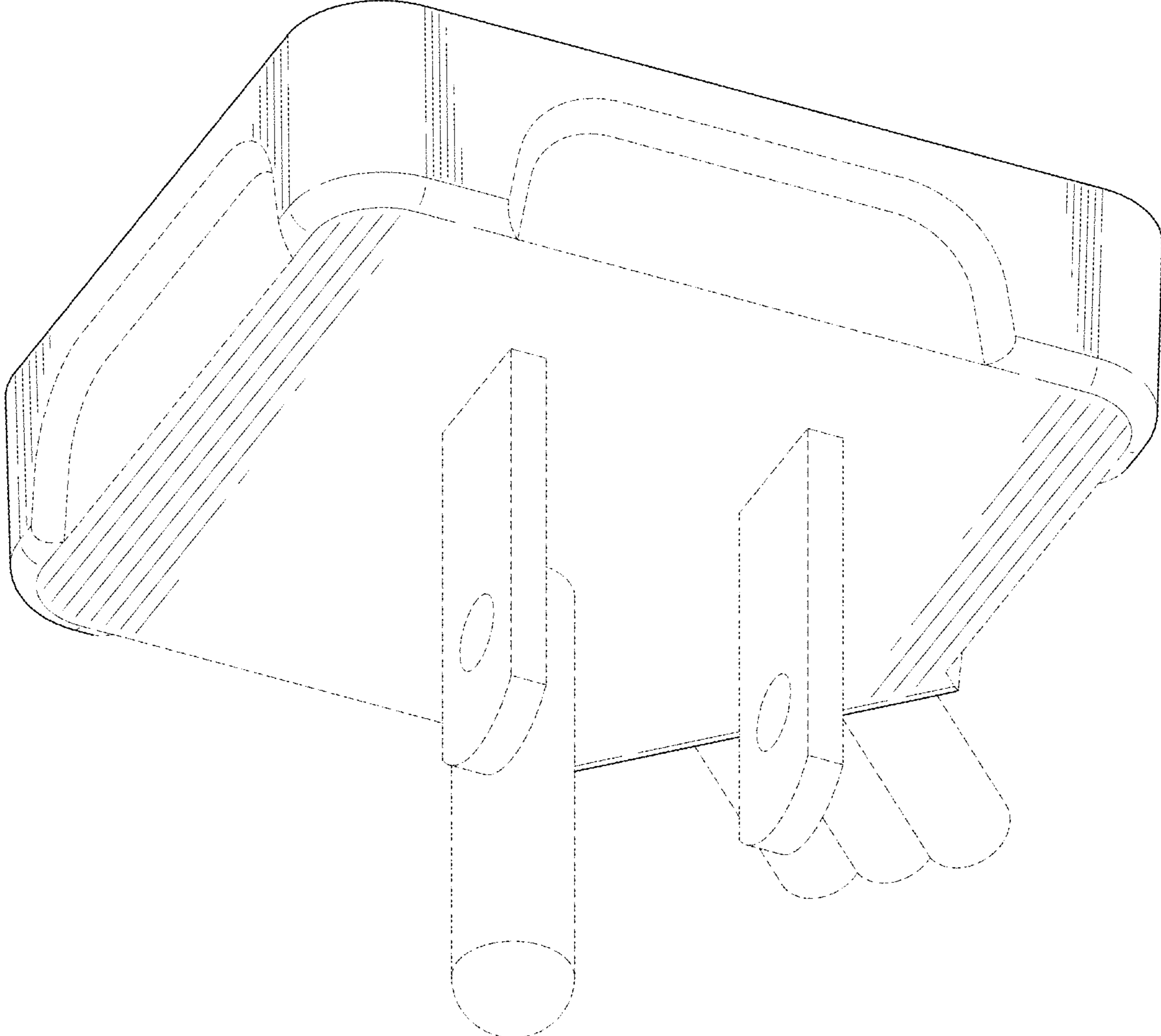


FIG. 10

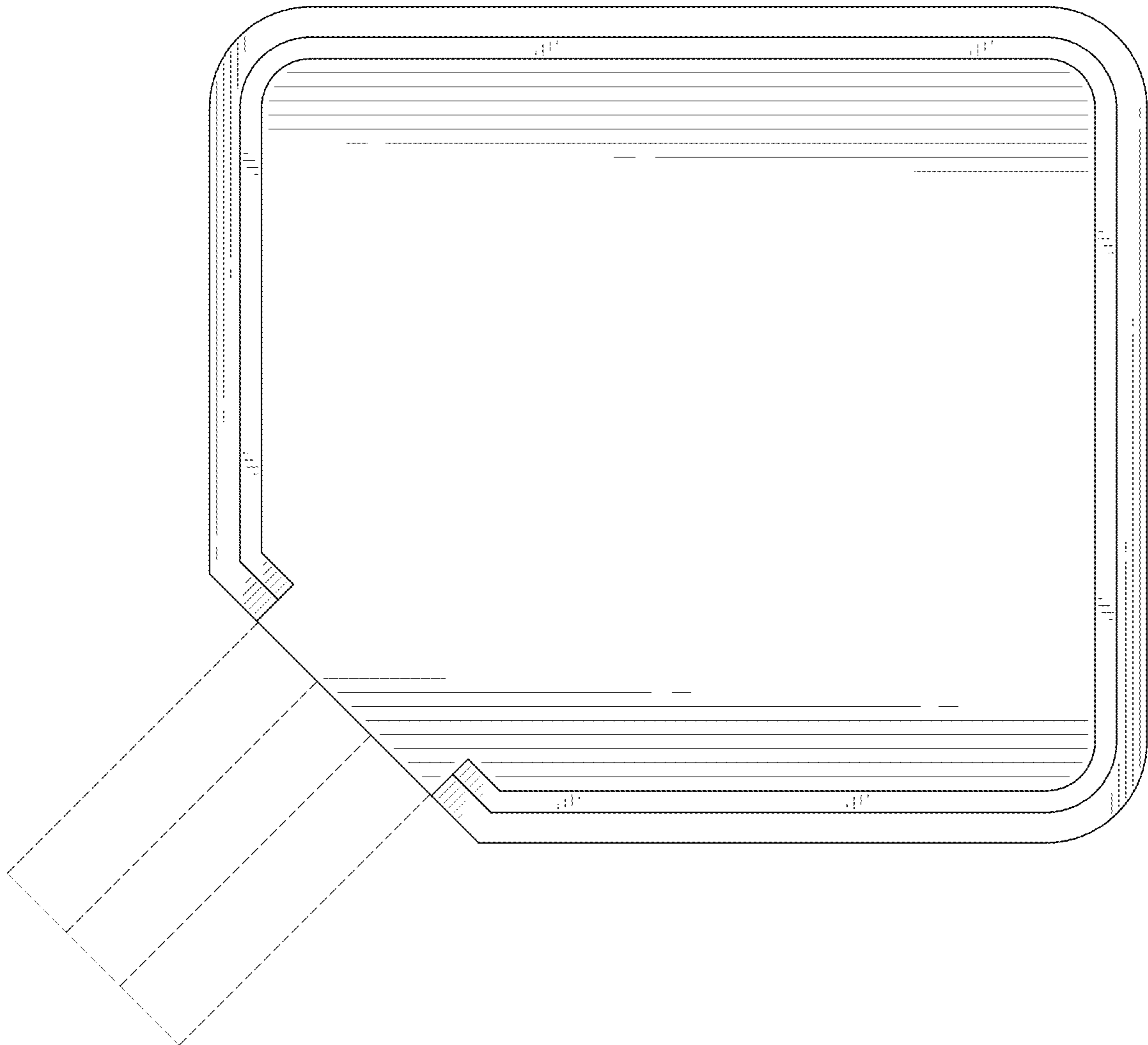


FIG. 11

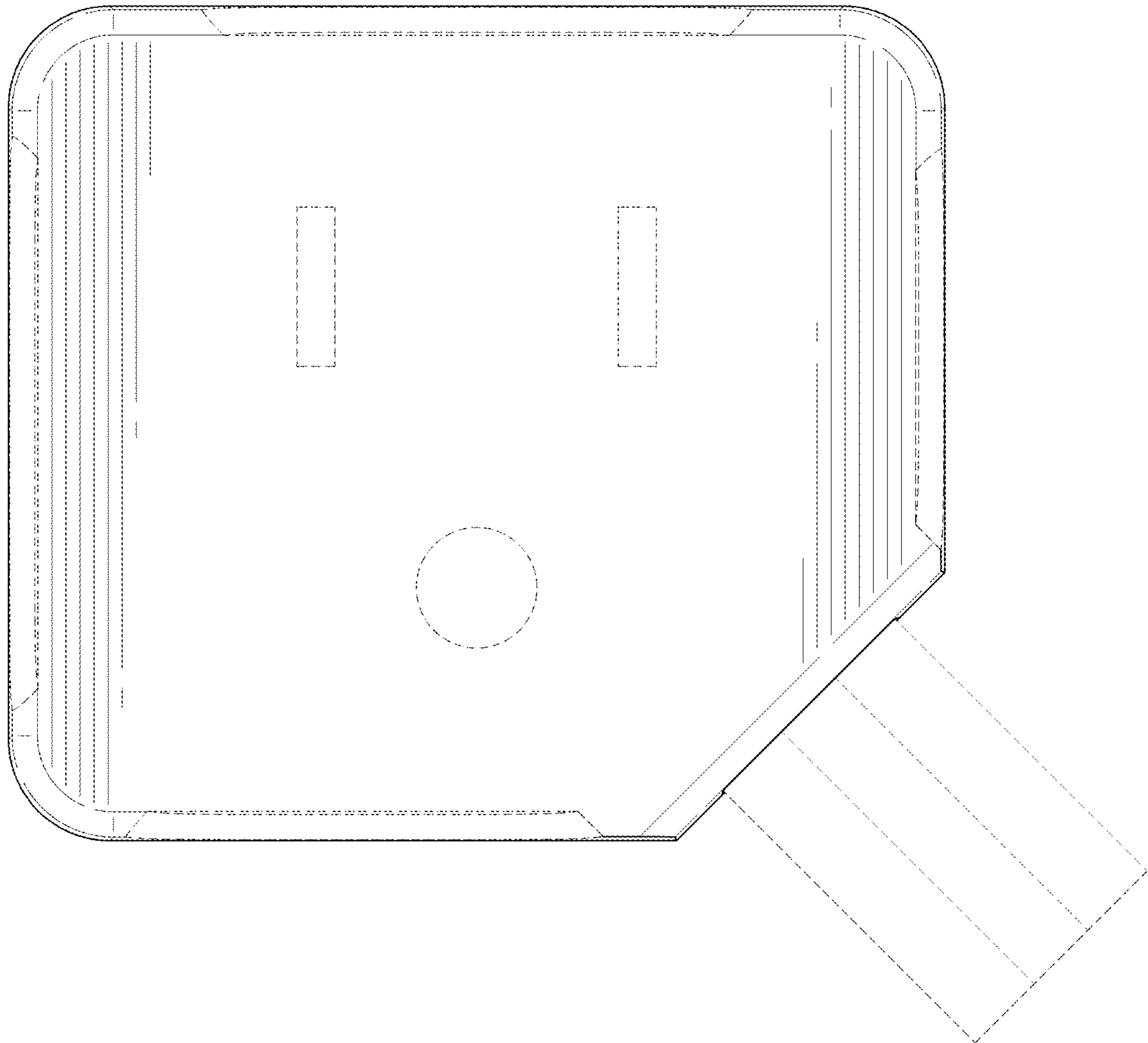


FIG. 12

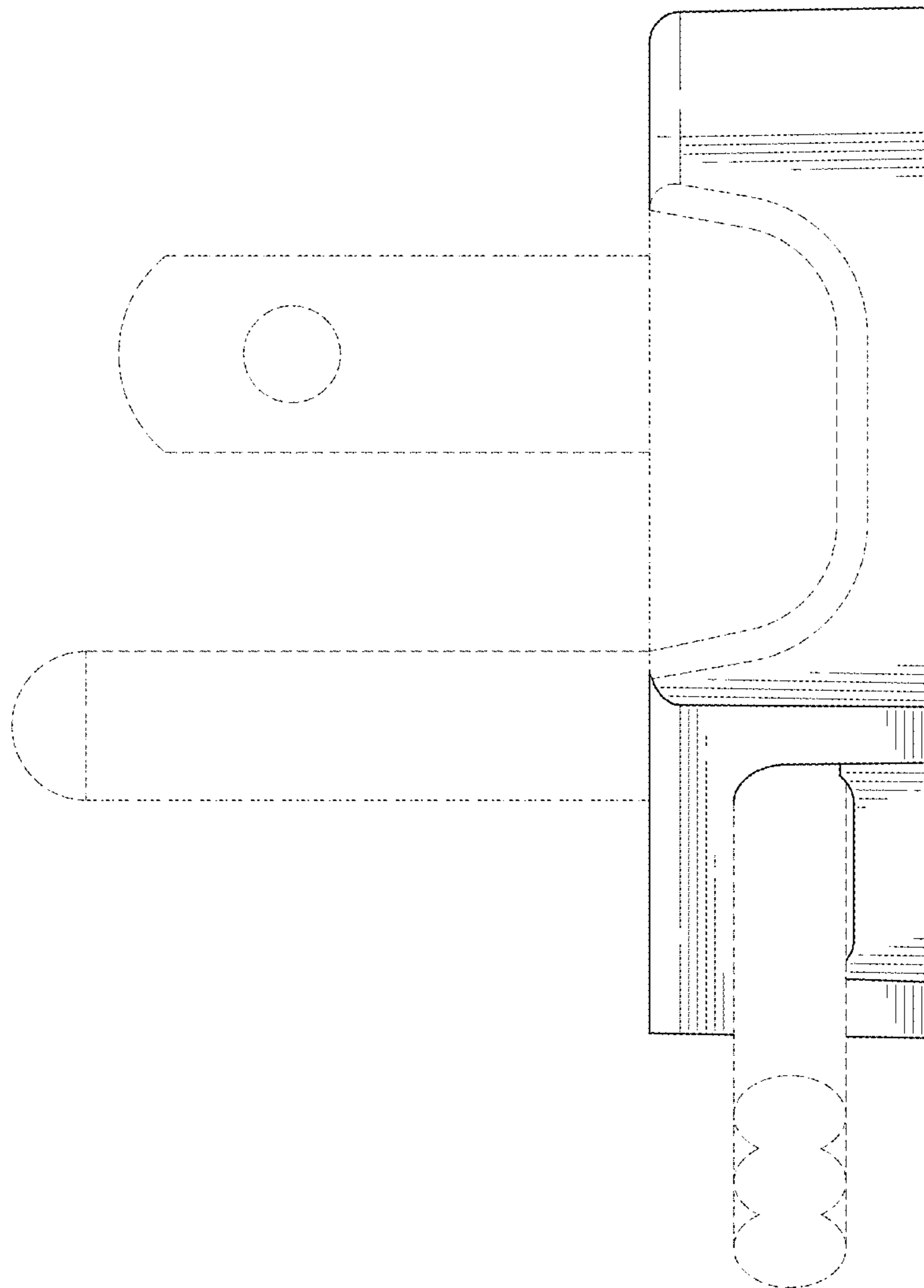


FIG. 13

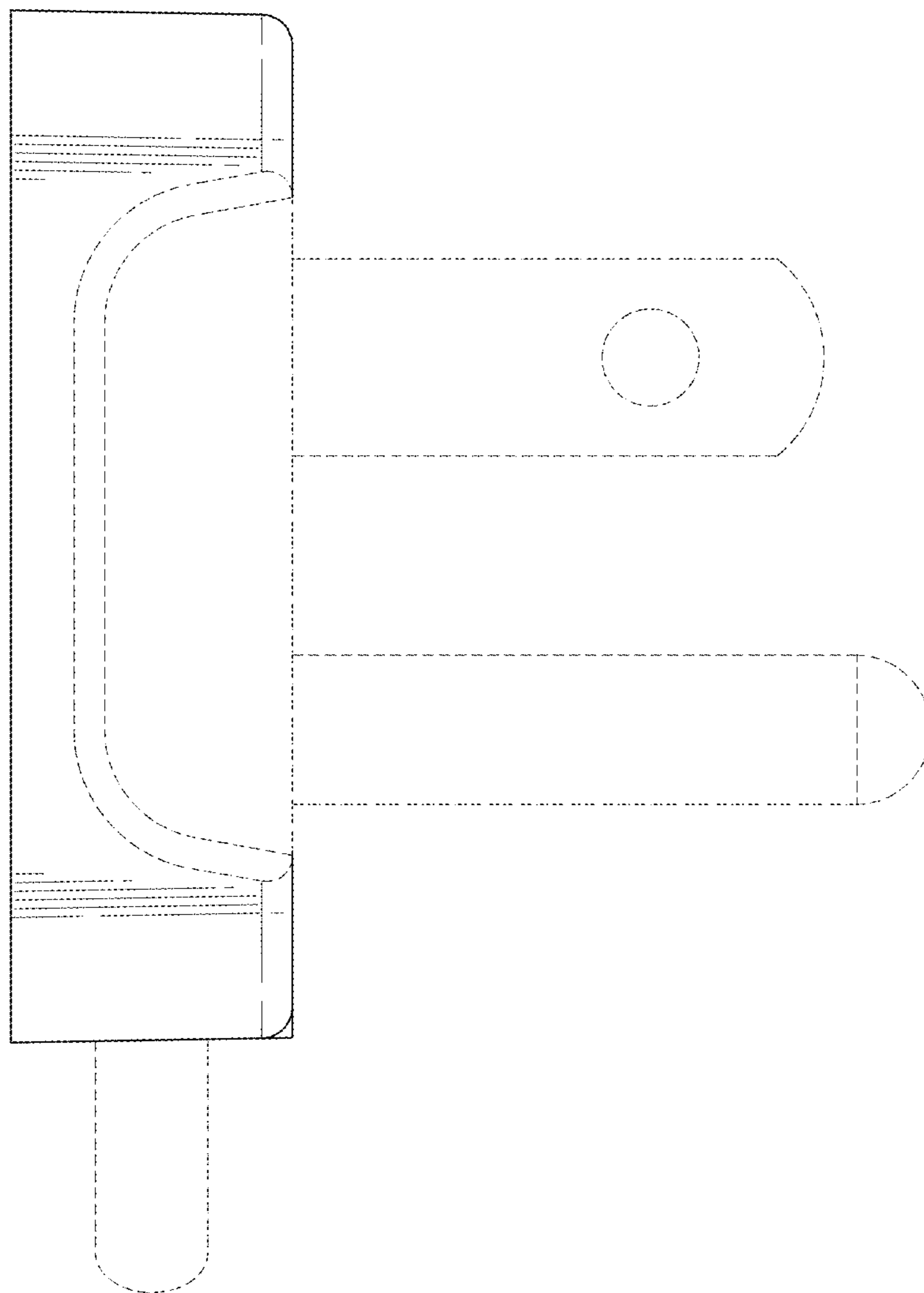


FIG. 14

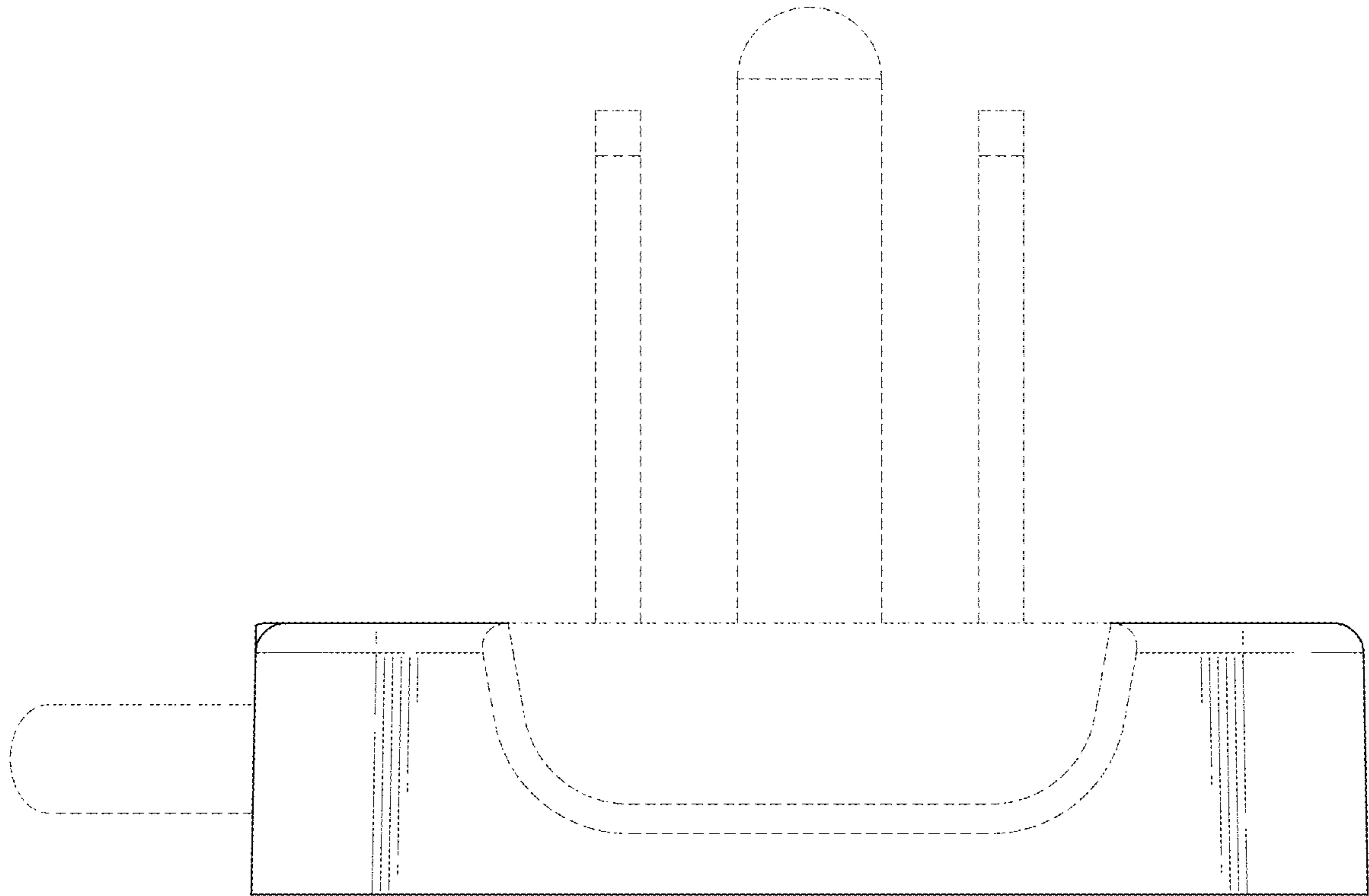


FIG. 15

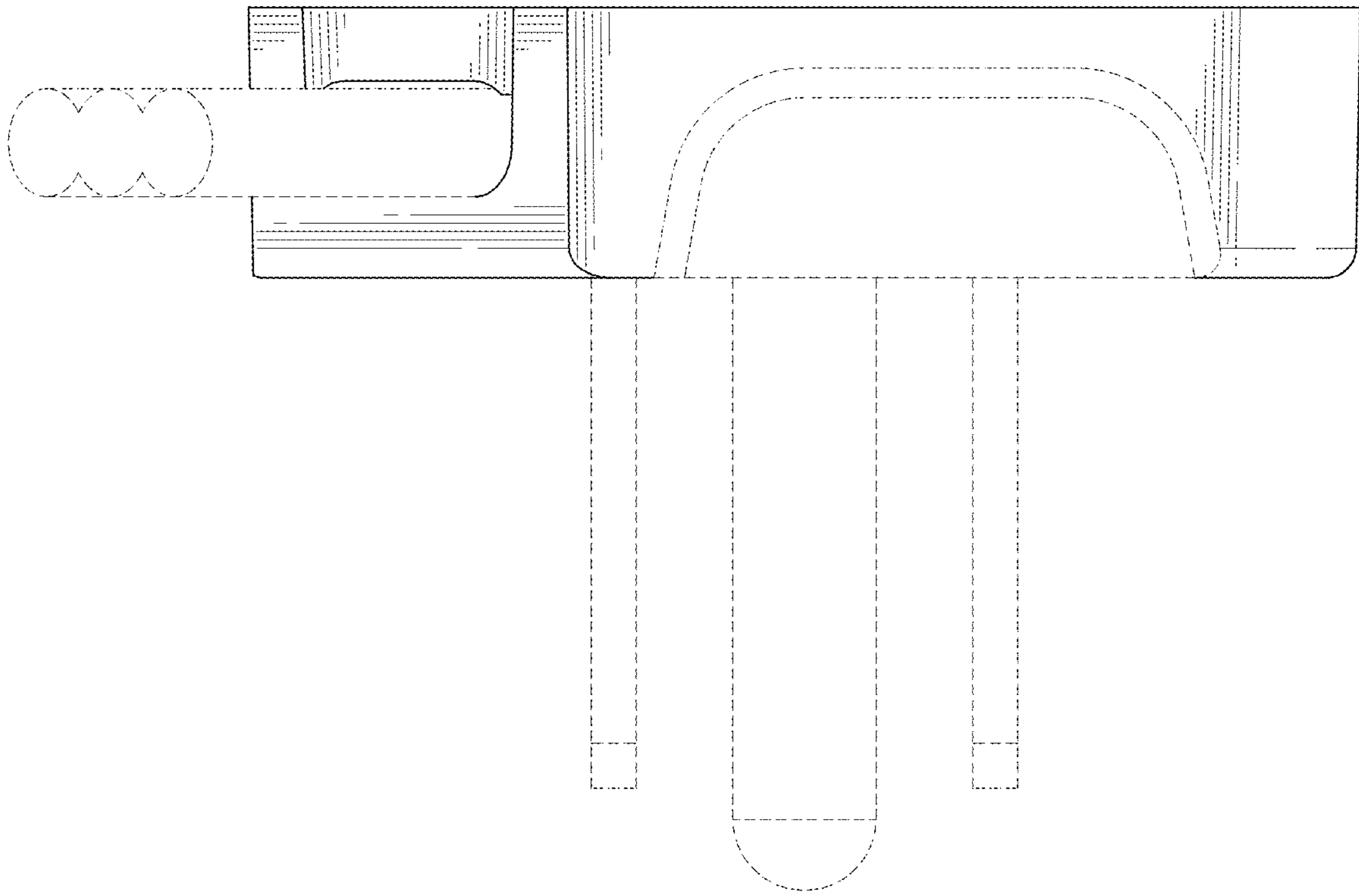


FIG. 16