



US00D983143S

(12) **United States Design Patent** (10) **Patent No.:** **US D983,143 S**  
**Sasaki** (45) **Date of Patent:** **\*\* Apr. 11, 2023**

- (54) **ELECTRICAL CONNECTOR**
- (71) Applicant: **Hosiden Corporation**, Yao (JP)
- (72) Inventor: **Daisuke Sasaki**, Yao (JP)
- (73) Assignee: **HOSIDEN CORPORATION**, Yao (JP)
- (\*\*) Term: **15 Years**
- (21) Appl. No.: **29/846,246**
- (22) Filed: **Jul. 14, 2022**

**Related U.S. Application Data**

- (62) Division of application No. 29/748,594, filed on Aug. 31, 2020, now Pat. No. Des. 962,170.

(30) **Foreign Application Priority Data**

- Mar. 2, 2020 (JP) ..... 2020-004037 D
- Mar. 2, 2020 (JP) ..... 2020-004038 D

- (51) **LOC (14) Cl.** ..... **13-03**

- (52) **U.S. Cl.**  
USPC ..... **D13/133**

- (58) **Field of Classification Search**  
USPC ..... D8/354; D13/120, 121, 127, 133, 146,  
D13/147, 149, 154, 159, 161, 184, 199;  
D23/213  
CPC ..... H01R 13/5213; H01R 13/6272; H01R  
13/7175; H01R 33/7664; H01R 4/30;  
G02B 6/3829; B23K 9/325; F02C 7/266  
See application file for complete search history.

(56) **References Cited**

**U.S. PATENT DOCUMENTS**

- D152,275 S 1/1949 Ludwig
- 2,529,502 A 11/1950 Kelly et al.
- D177,464 S \* 4/1956 Edlen ..... D13/149
- D203,748 S 2/1966 Seidoh et al.
- D206,589 S \* 1/1967 Ablett ..... 439/483

- D296,325 S 6/1988 Hugin
- D312,613 S \* 12/1990 Shichida ..... D13/133
- D328,279 S 7/1992 Couto et al.
- D360,617 S \* 7/1995 Grande ..... D13/133
- D365,324 S 12/1995 Grande
- 6,130,983 A \* 10/2000 Cheng ..... G02B 6/3829  
385/139

(Continued)

**OTHER PUBLICATIONS**

SMK, Date: Nov. 28, 2016, [online], [site visited Aug. 31, 2022]. Available from internet, URL: <https://www.smkusa.com/new-products/2016/11/28/coaxial-connector-for-automotive-camera-modules> (Year: 2016).\*

(Continued)

*Primary Examiner* — Shawn T Gingrich

*Assistant Examiner* — Bryan N. Melvin

(74) *Attorney, Agent, or Firm* — Rankin, Hill & Clark LLP

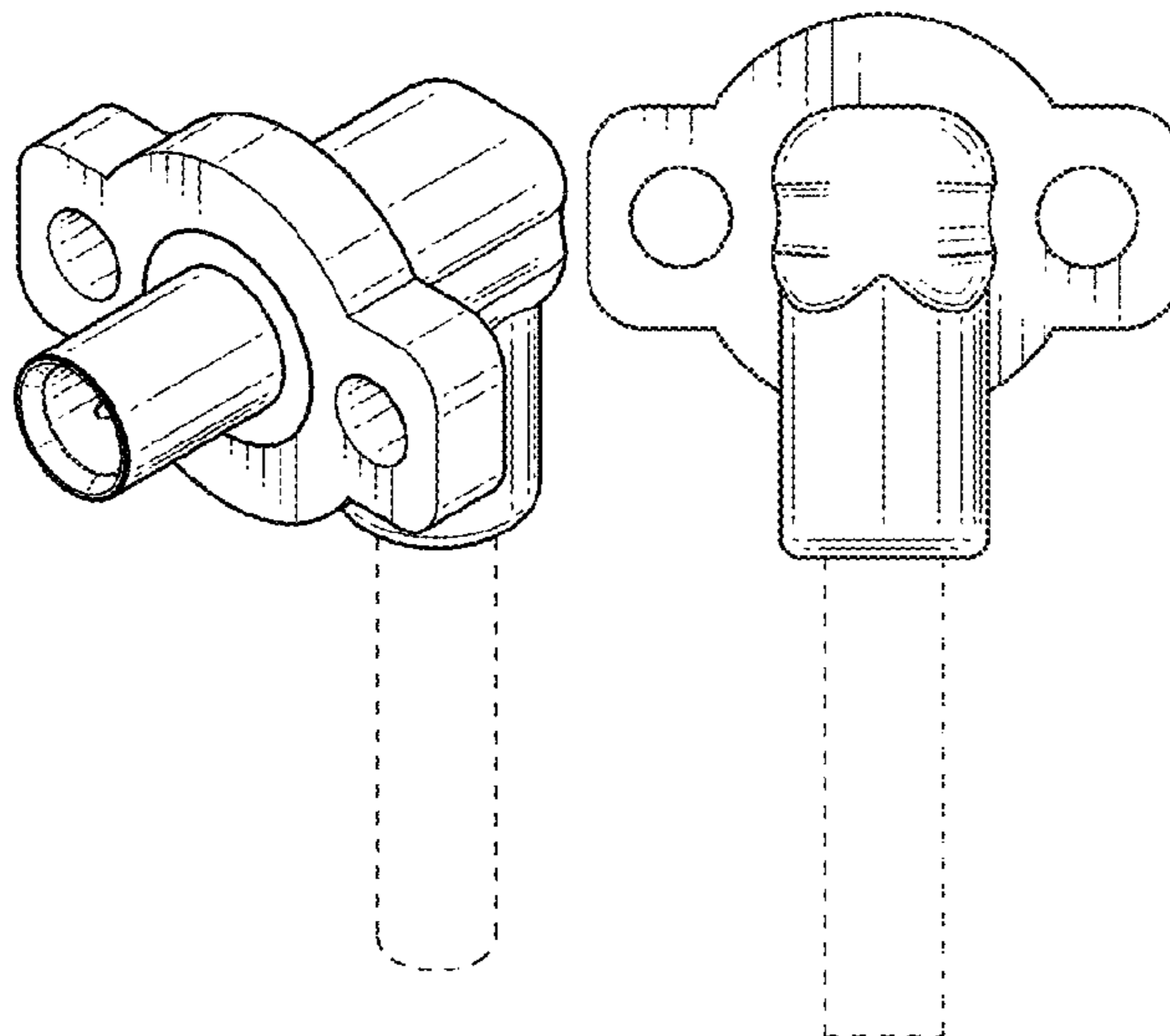
(57) **CLAIM**

The ornamental design for an electrical connector, as shown and described.

**DESCRIPTION**

FIG. 1 is a front, right side and top perspective view of the electrical connector of our design;  
FIG. 2 is a front, right side and bottom perspective view thereof;  
FIG. 3 is a front elevation view thereof;  
FIG. 4 is a rear elevation view thereof;  
FIG. 5 is a left side view thereof, a right side view being a mirror image thereof;  
FIG. 6 is a top plan view thereof; and,  
FIG. 7 is bottom plan view thereof.  
The broken lines shown in the drawings illustrate portions of an electrical connector that form no part of the claimed design.

**1 Claim, 3 Drawing Sheets**



(56)

**References Cited**

U.S. PATENT DOCUMENTS

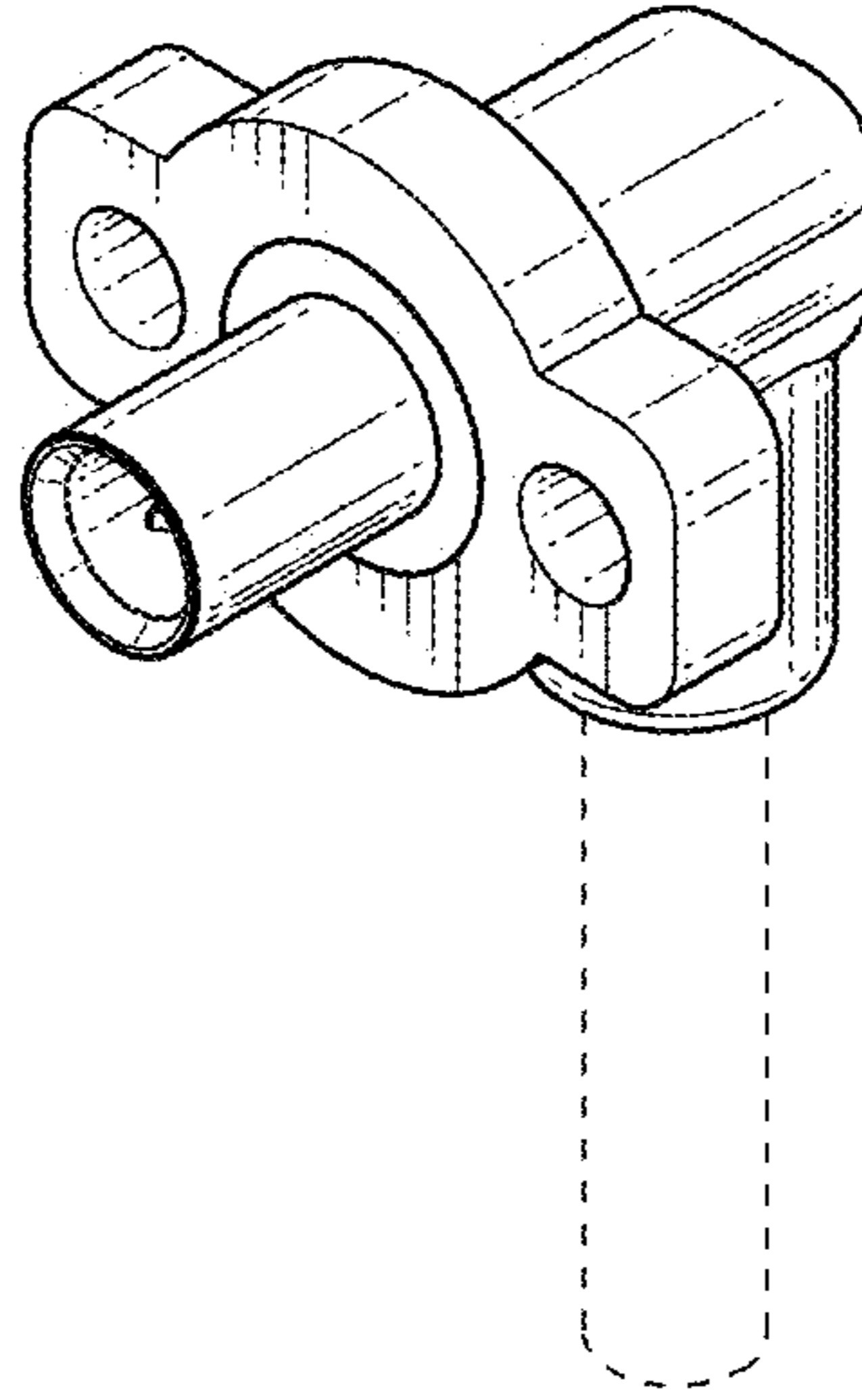
D514,070	S	1/2006	Bachmann	
D669,961	S *	10/2012	Sanwald .....	D23/213
D703,142	S *	4/2014	Hoshino .....	D13/147
D721,039	S *	1/2015	Hoshino .....	D13/147
D768,097	S	10/2016	Powers	
9,553,395	B2 *	1/2017	Nagasaki .....	H01R 4/30
D817,881	S	5/2018	Dobashi et al.	
D854,915	S	7/2019	Beagen	
11,326,573	B1 *	5/2022	Triana Zorsano .....	F02C 7/266
D962,170	S *	8/2022	Sasaki .....	D13/133
2009/0023329	A1 *	1/2009	Mehnert .....	H01R 13/7175 439/490
2014/0073161	A1	3/2014	Winningham et al.	
2016/0252681	A1	9/2016	Ishiguro et al.	
2021/0288438	A1	9/2021	Zhang et al.	
2022/0161351	A1 *	5/2022	Schaffitz .....	B23K 9/325

OTHER PUBLICATIONS

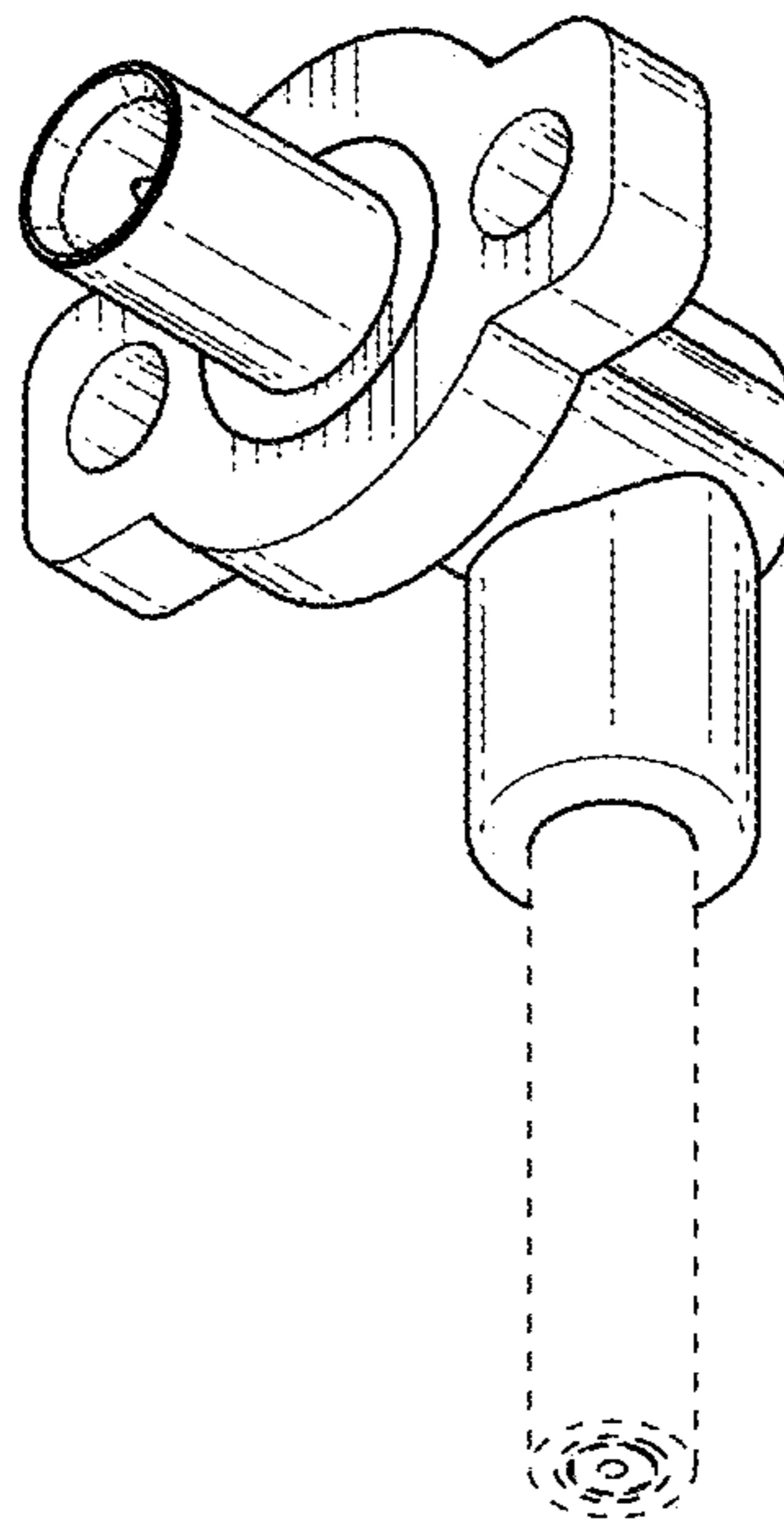
Yamaichi, Date: Jul. 20, 2021, [online], [site visited Aug. 31, 2022].  
 Available from internet, URL: <https://www.yamaichi.co.jp/en/news/smallest-camera-connector-in-the-automotive-market-hc001-series-has-developed/> (Year: 2021).\*

\* cited by examiner

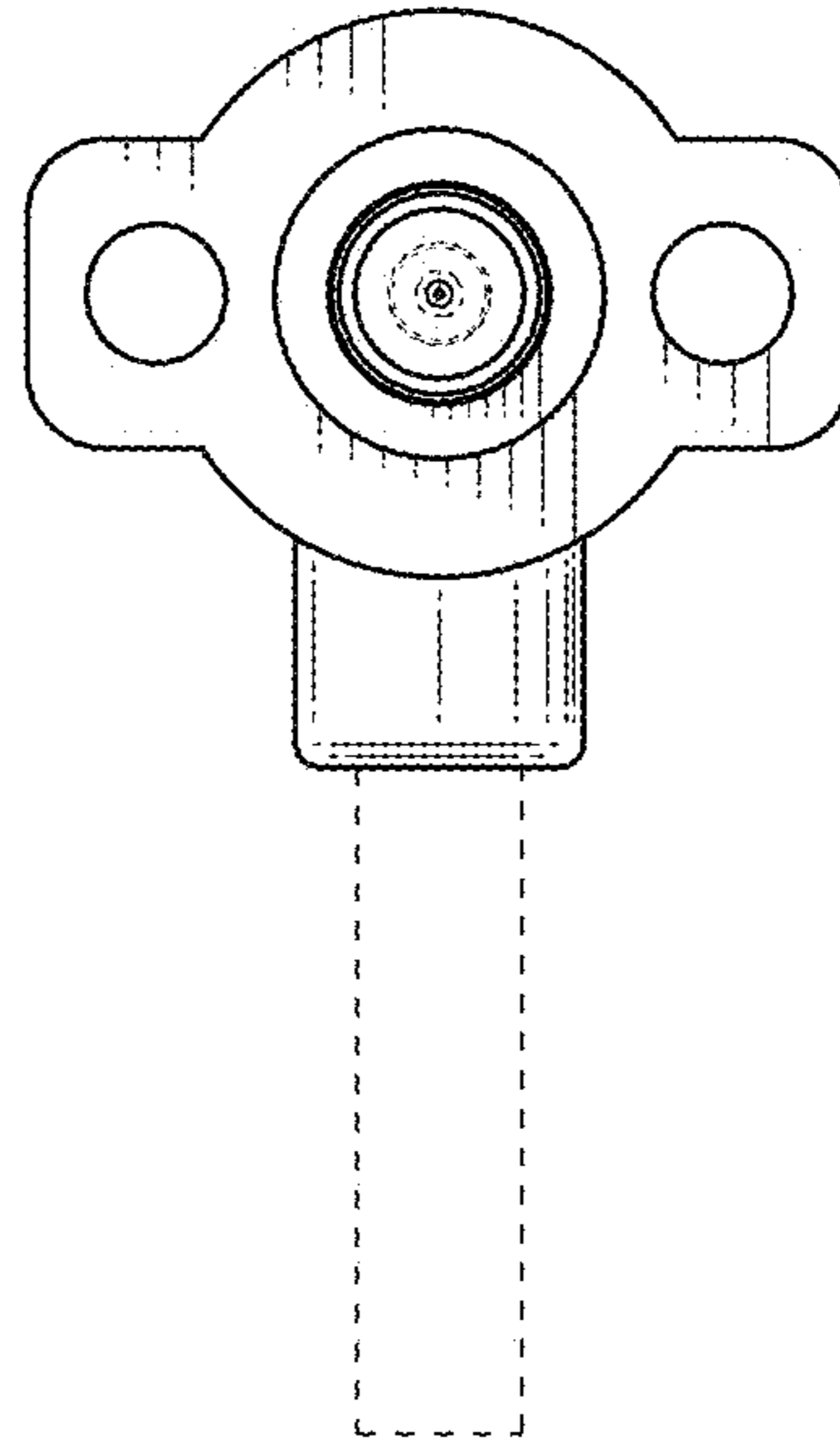
**Fig.1**



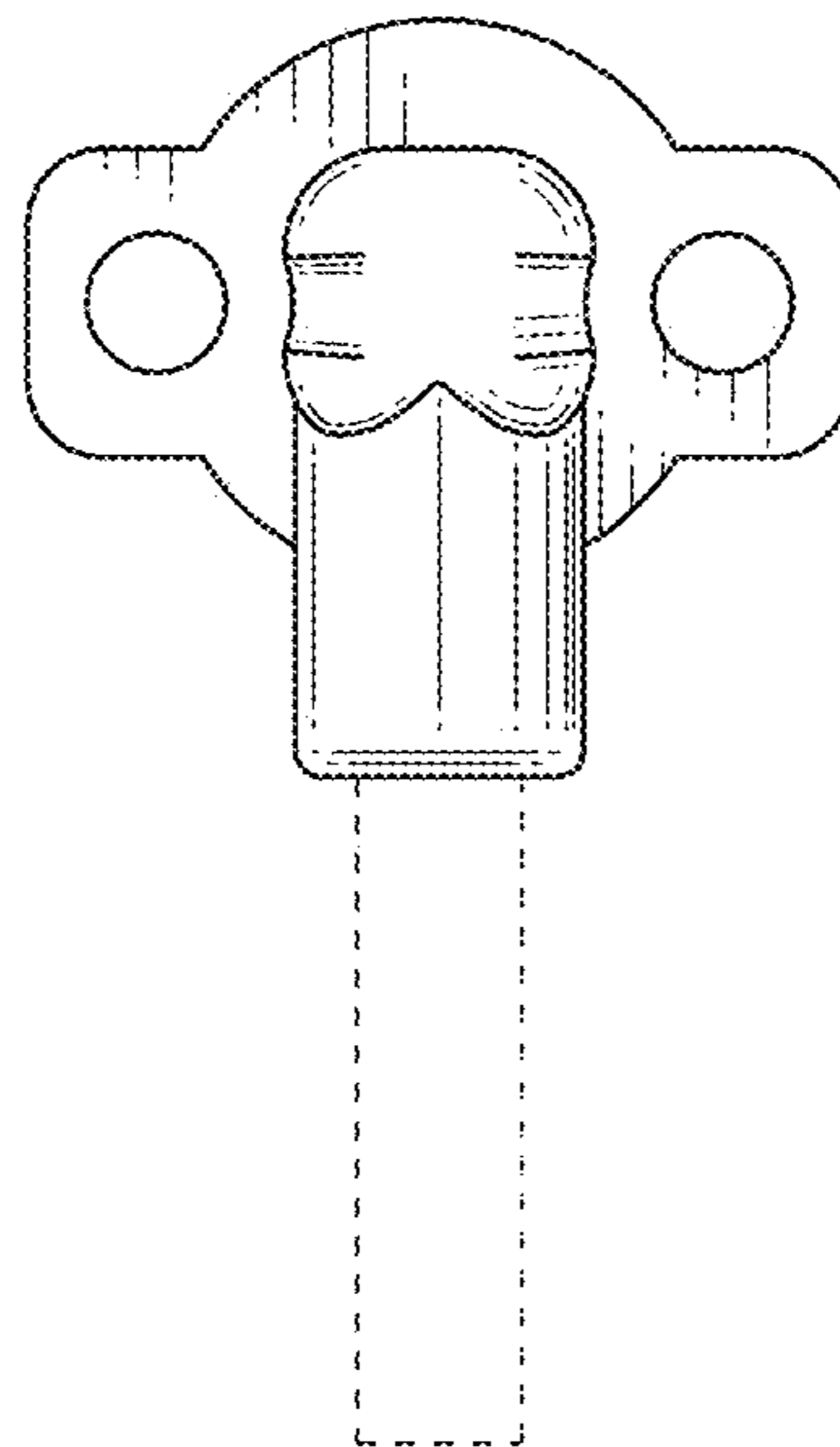
**Fig.2**



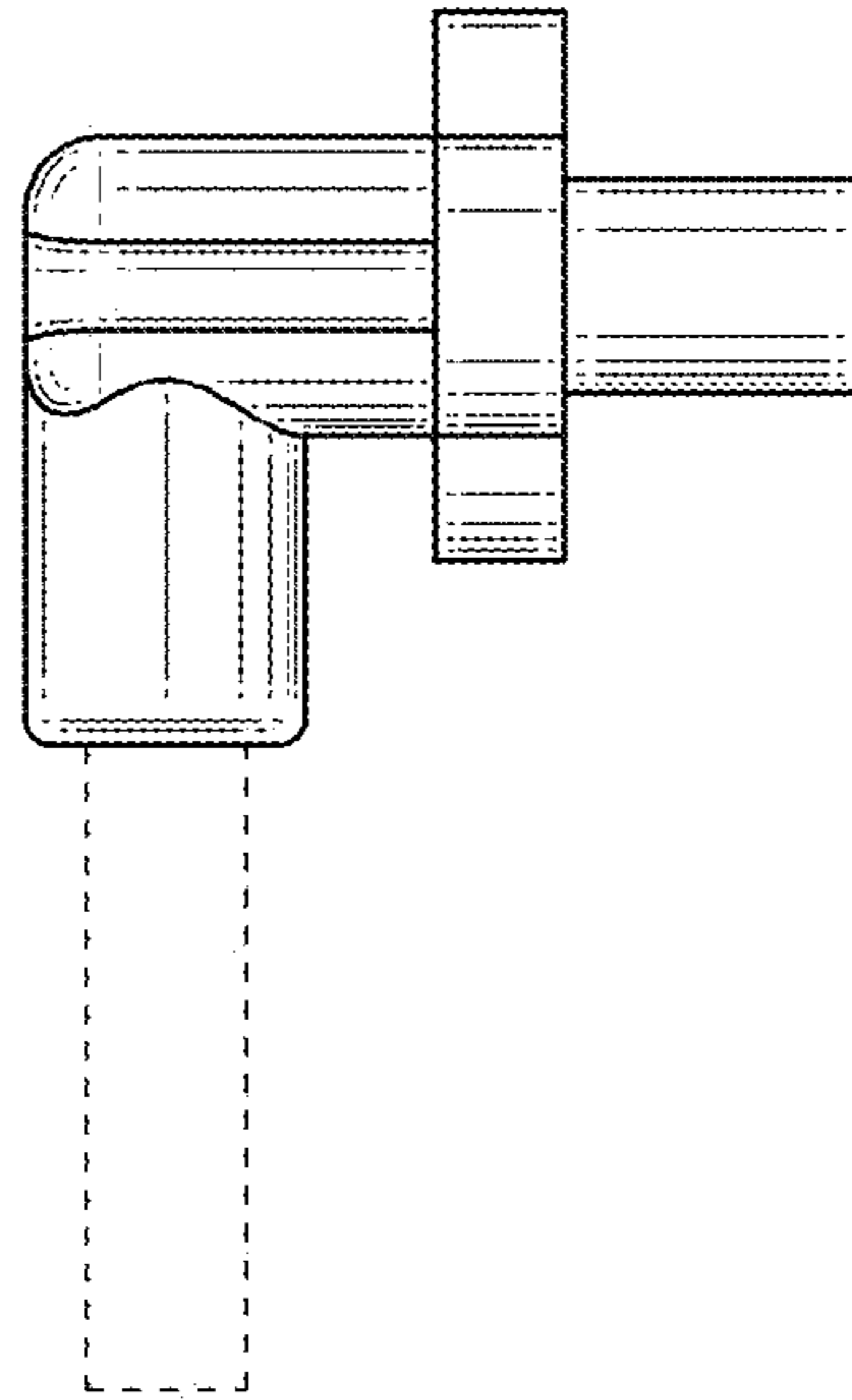
**Fig.3**



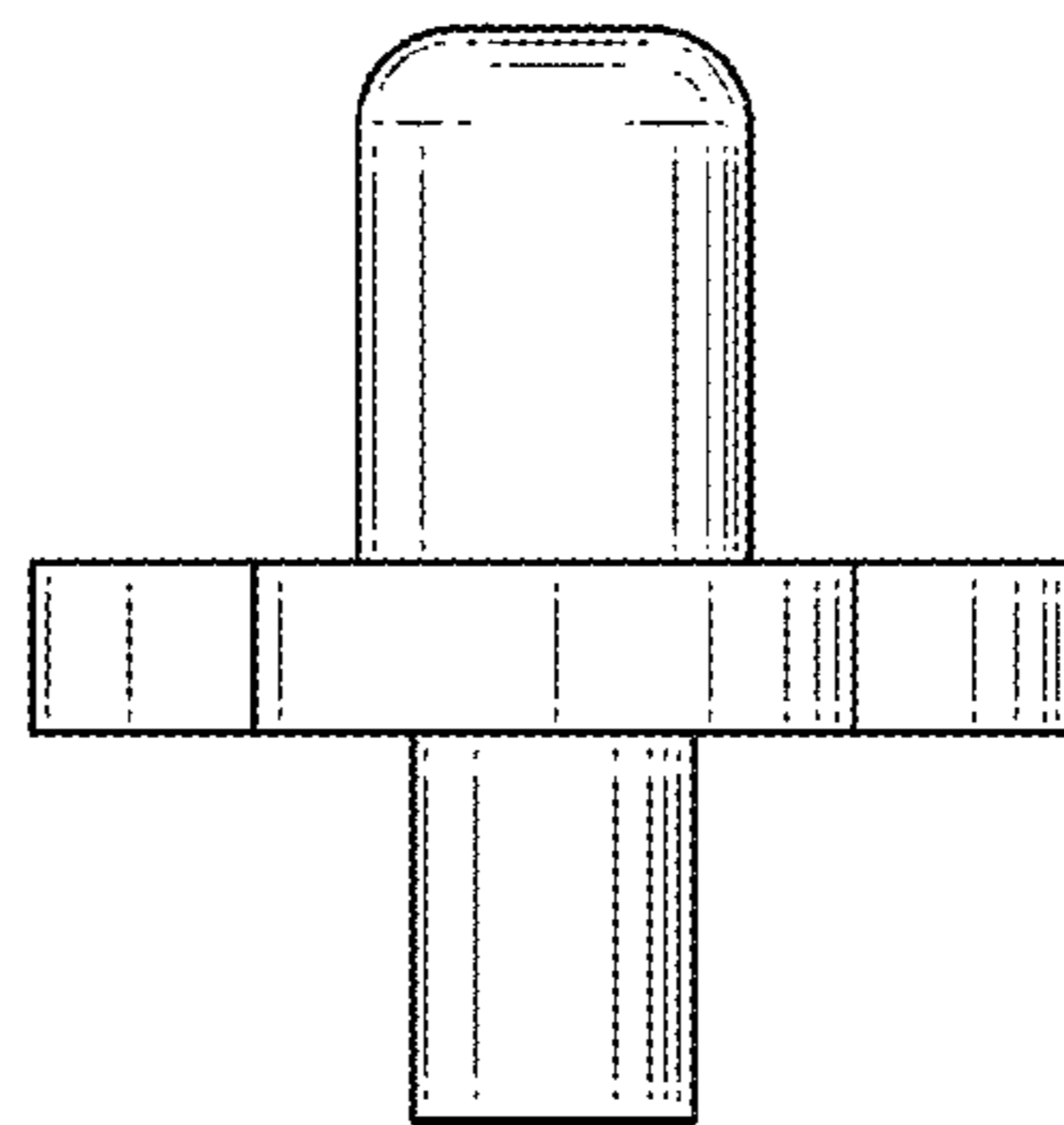
**Fig.4**



**Fig.5**



**Fig.6**



**Fig.7**

