



US00D983142S

(12) **United States Design Patent**  
**Hosoda**

(10) **Patent No.:** **US D983,142 S**

(45) **Date of Patent:** **\*\* Apr. 11, 2023**

(54) **MOTOR**

(71) Applicant: **FANUC CORPORATION**, Yamanashi (JP)

(72) Inventor: **Akihiro Hosoda**, Yamanashi (JP)

(73) Assignee: **FANUC CORPORATION**, Yamanashi (JP)

(\*\*) Term: **15 Years**

(21) Appl. No.: **29/759,000**

(22) Filed: **Nov. 19, 2020**

(30) **Foreign Application Priority Data**

May 22, 2020 (JP) ..... 2020-010067 D

(51) **LOC (14) Cl.** ..... **13-01**

(52) **U.S. Cl.**  
USPC ..... **D13/112**

(58) **Field of Classification Search**  
USPC ..... D13/112, 113, 114, 122, 199; D15/3, 5,  
D15/199

CPC .. H02K 5/04; H02K 5/10; H02K 5/22; H02K  
5/148; H02K 29/14; H02P 6/06; F28F  
1/20

See application file for complete search history.

(56) **References Cited**

**U.S. PATENT DOCUMENTS**

6,204,582 B1 \* 3/2001 Keller ..... H02K 5/00  
310/71

D573,091 S \* 7/2008 Shih ..... D13/112

D688,627 S \* 8/2013 Veeh ..... D13/112  
D693,300 S \* 11/2013 Fukasawa ..... D13/112  
D706,304 S \* 6/2014 Katada ..... D15/1  
D758,310 S \* 6/2016 Veeh ..... D13/112  
D833,972 S \* 11/2018 Pflueger ..... D13/112  
2017/0194841 A1 \* 7/2017 Raju ..... G05B 19/31

\* cited by examiner

*Primary Examiner* — Derrick E Holland

(74) *Attorney, Agent, or Firm* — Banner & Witcoff, Ltd.

(57) **CLAIM**

The ornamental design for a motor, as shown and described.

**DESCRIPTION**

FIG. 1 is a front perspective view of a motor showing my new design;

FIG. 2 is a rear perspective view thereof;

FIG. 3 is a front view thereof;

FIG. 4 is a rear view thereof;

FIG. 5 is a top plan view thereof;

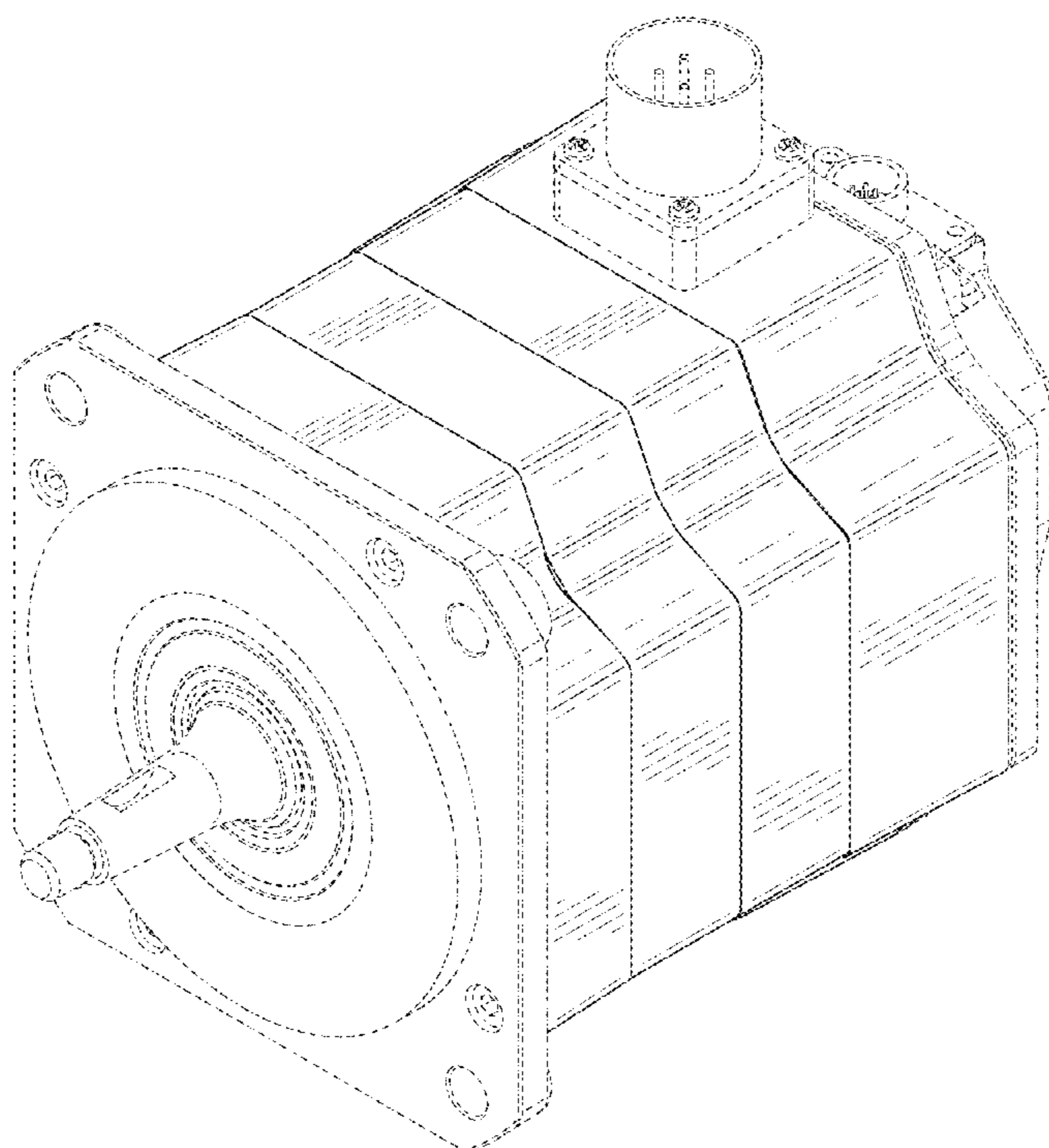
FIG. 6 is a bottom view thereof;

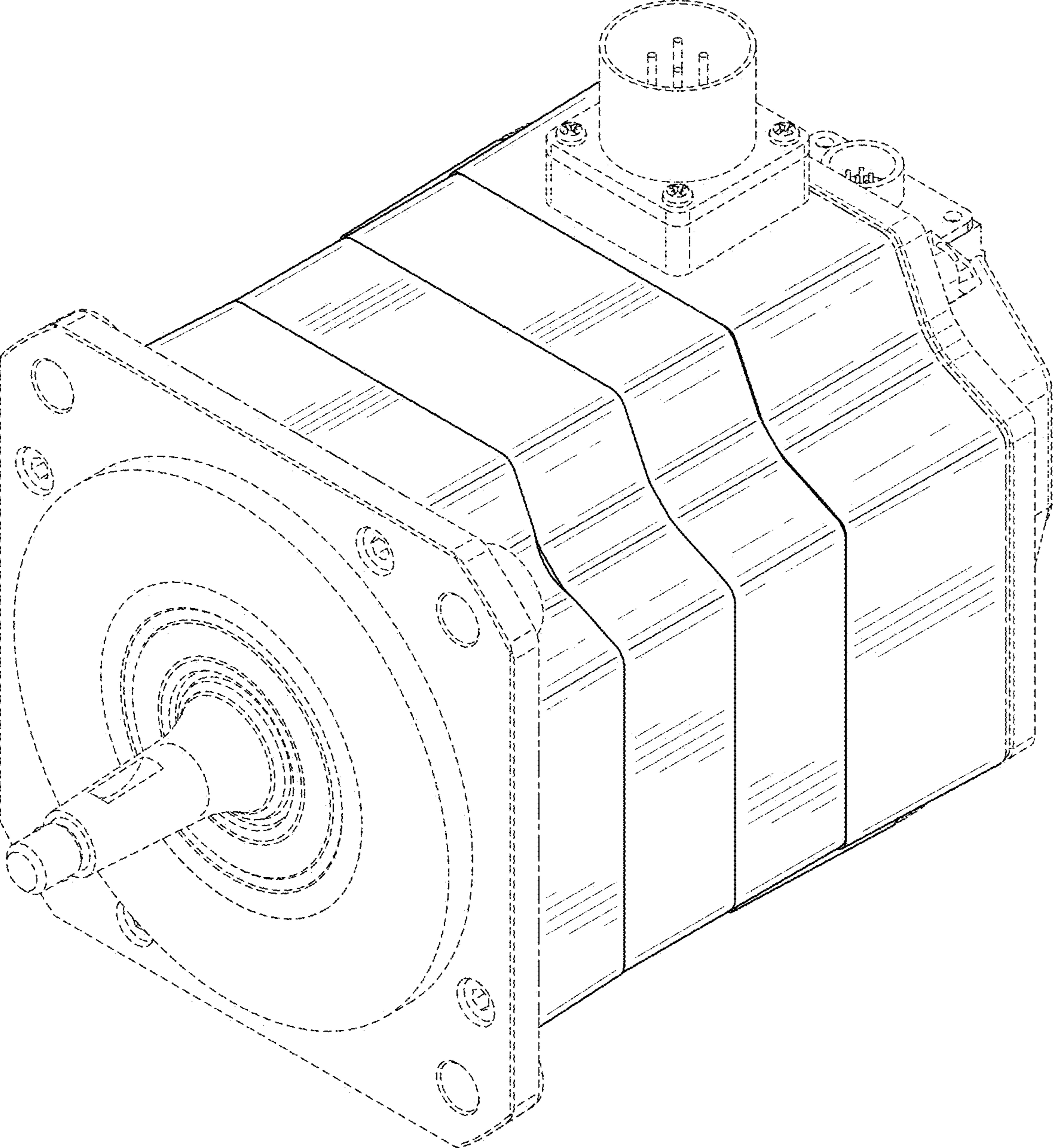
FIG. 7 is a right side view thereof; and,

FIG. 8 is a left side view thereof.

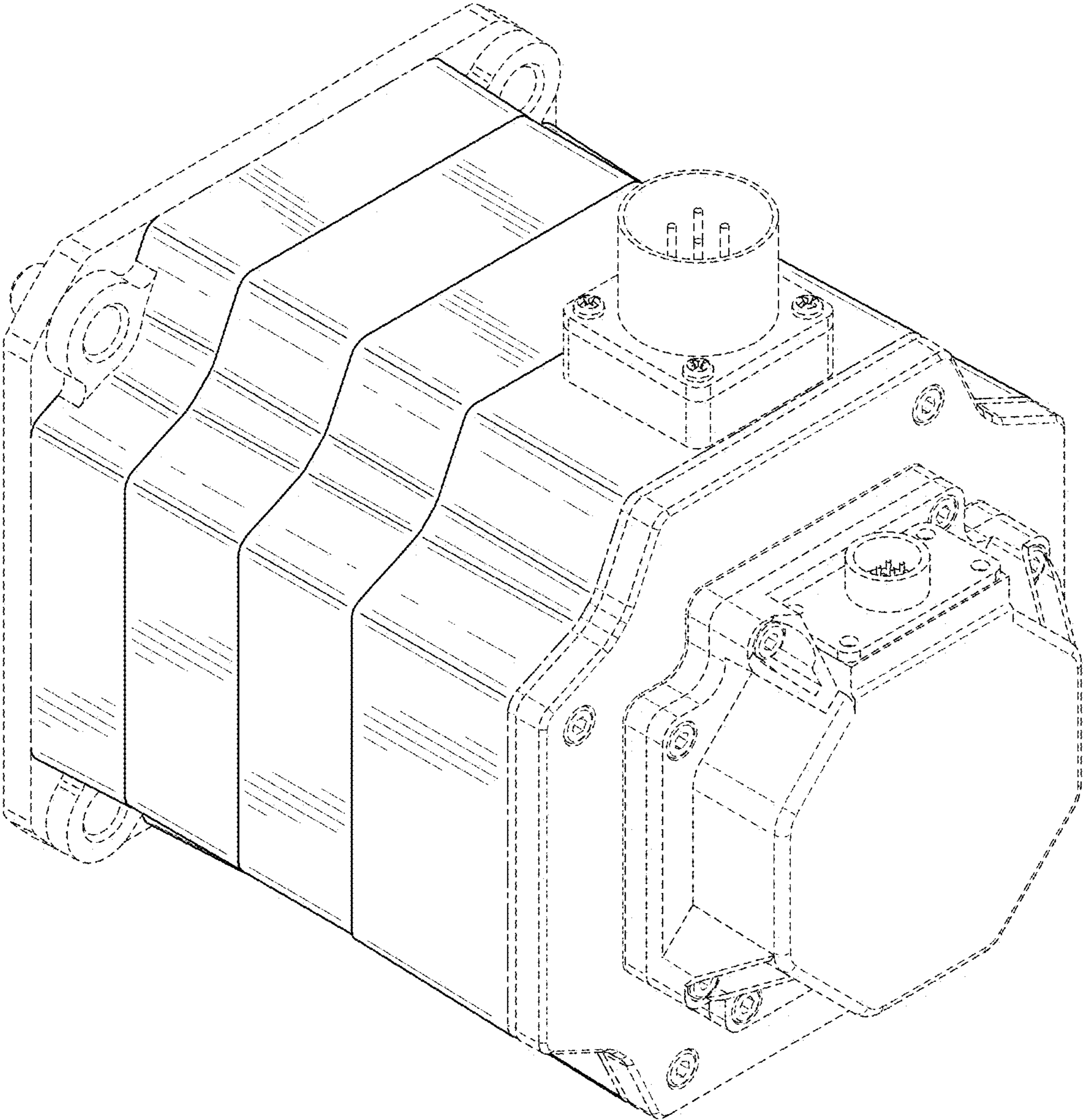
The uneven-length style broken lines immediately adjacent to the shaded areas define the bounds of the claimed design and form no part thereof. The even length broken lines depicting the remainder of the motor form no part of the claimed design.

**1 Claim, 8 Drawing Sheets**

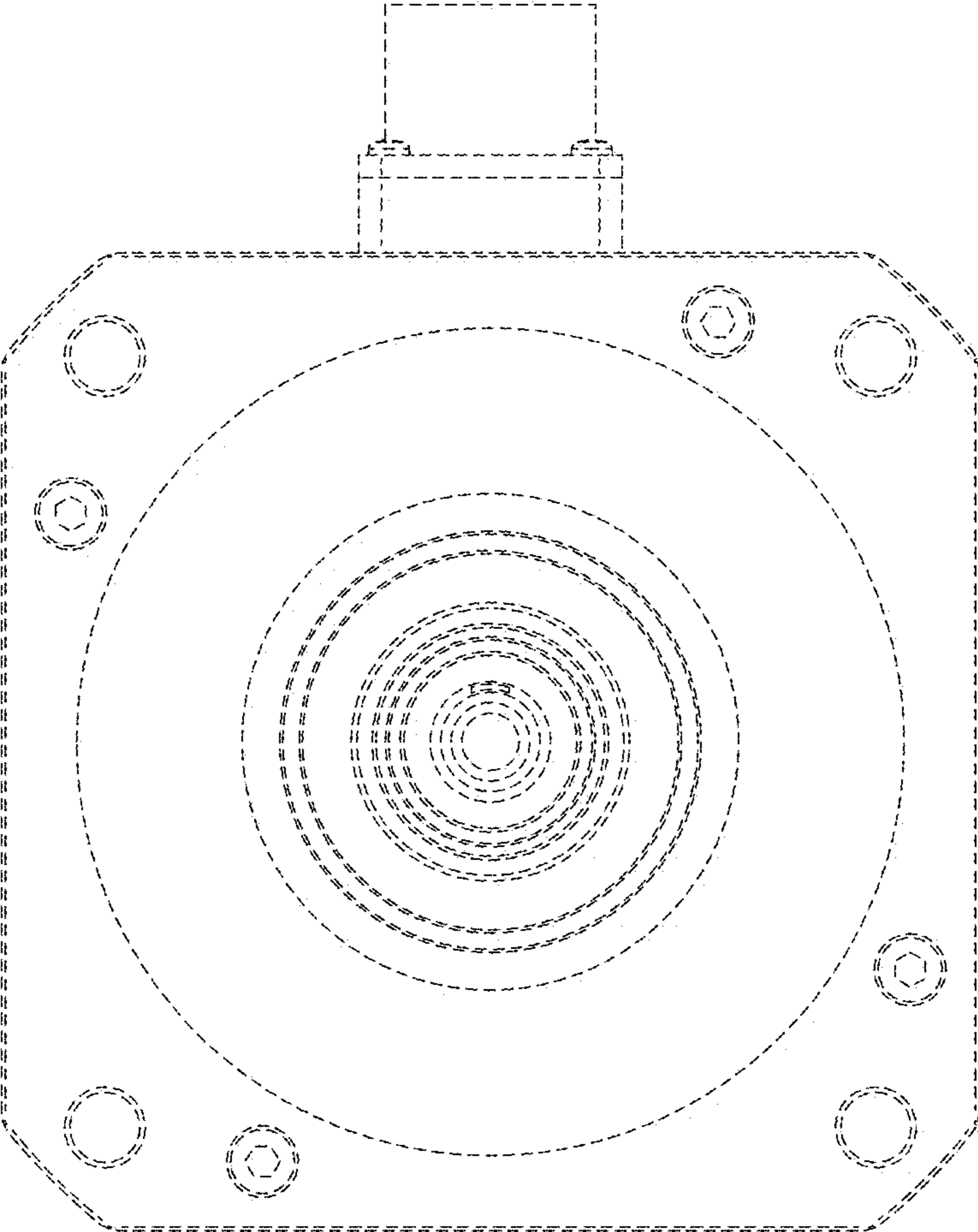




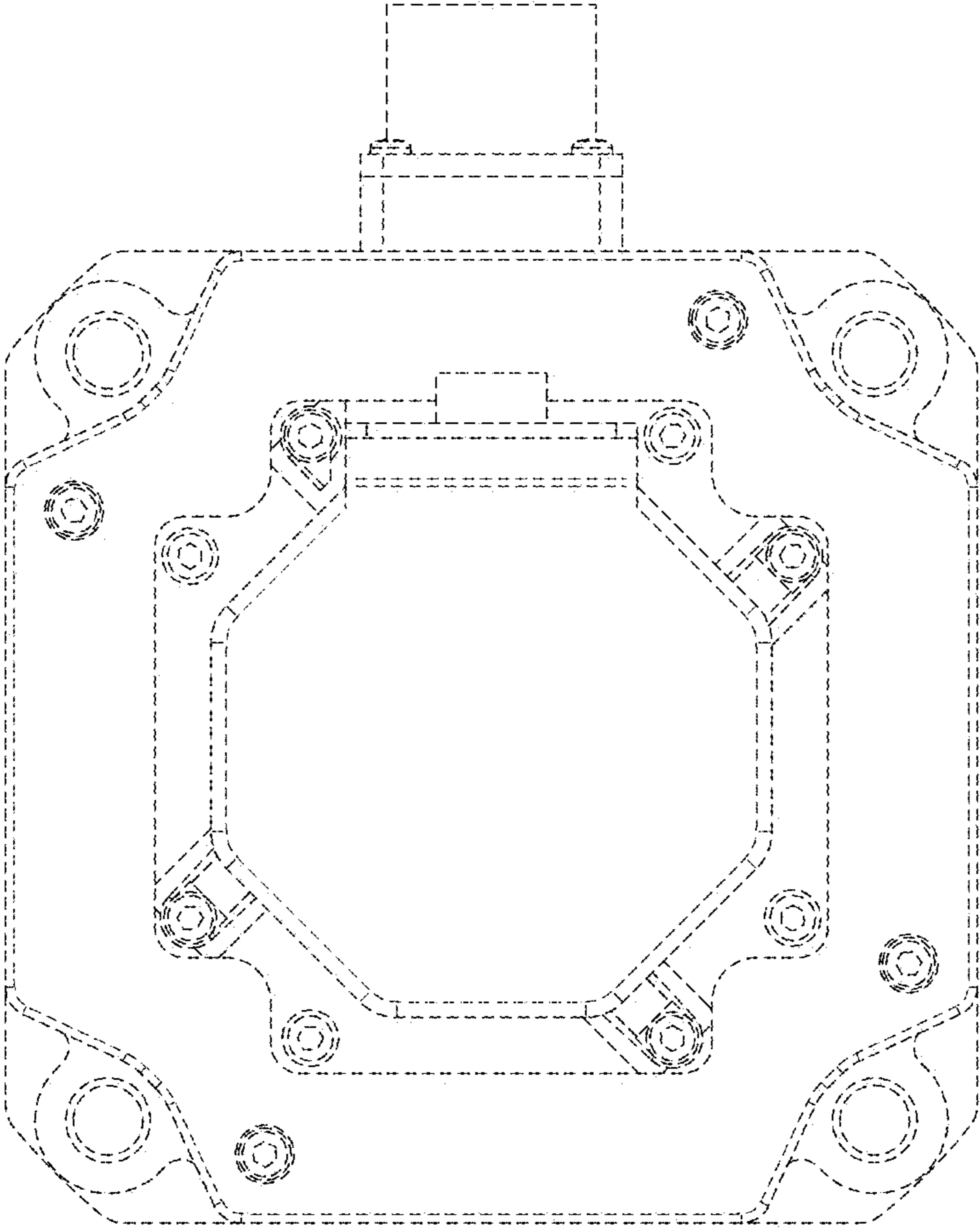
**FIG. 1**



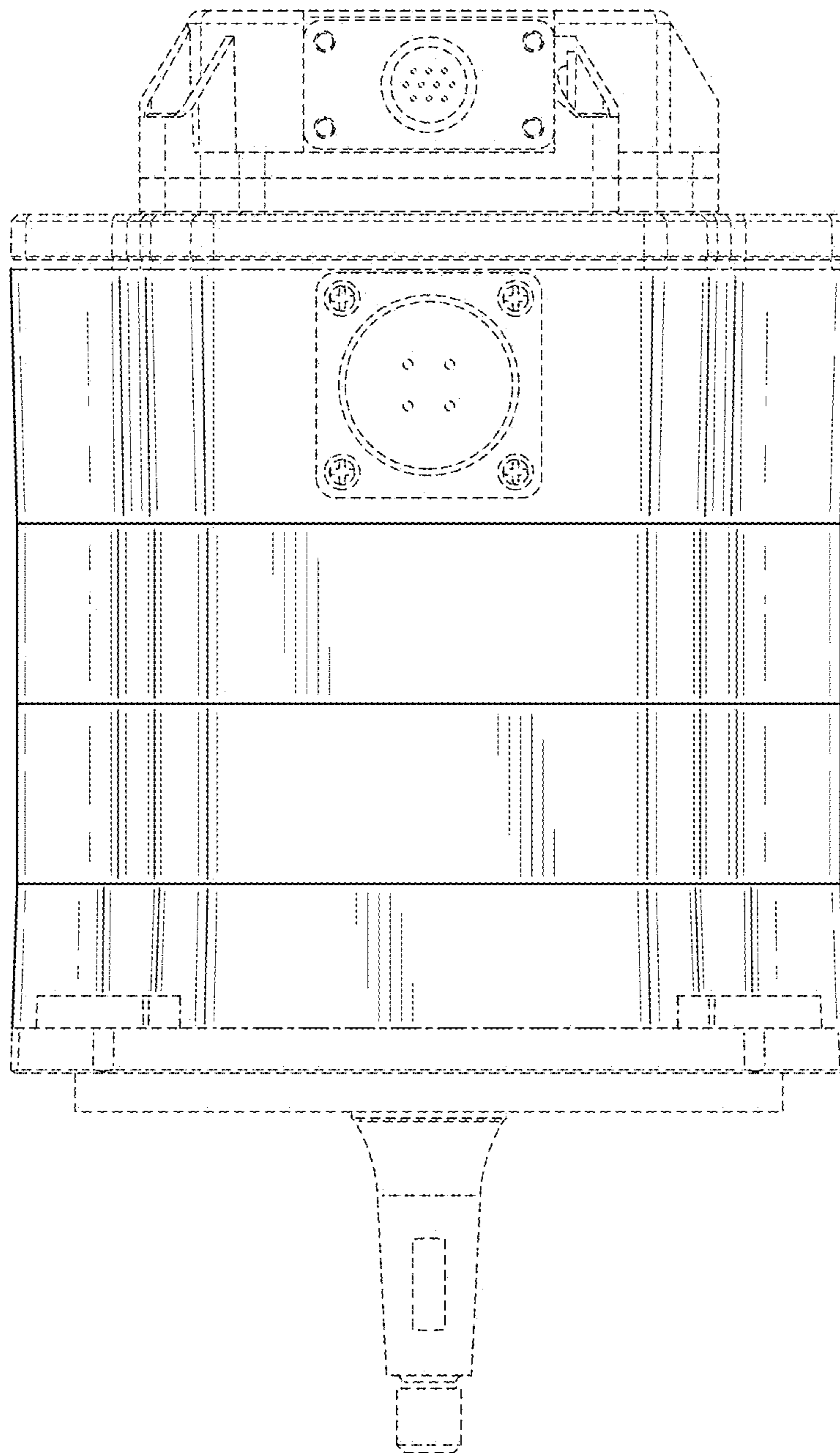
**FIG. 2**



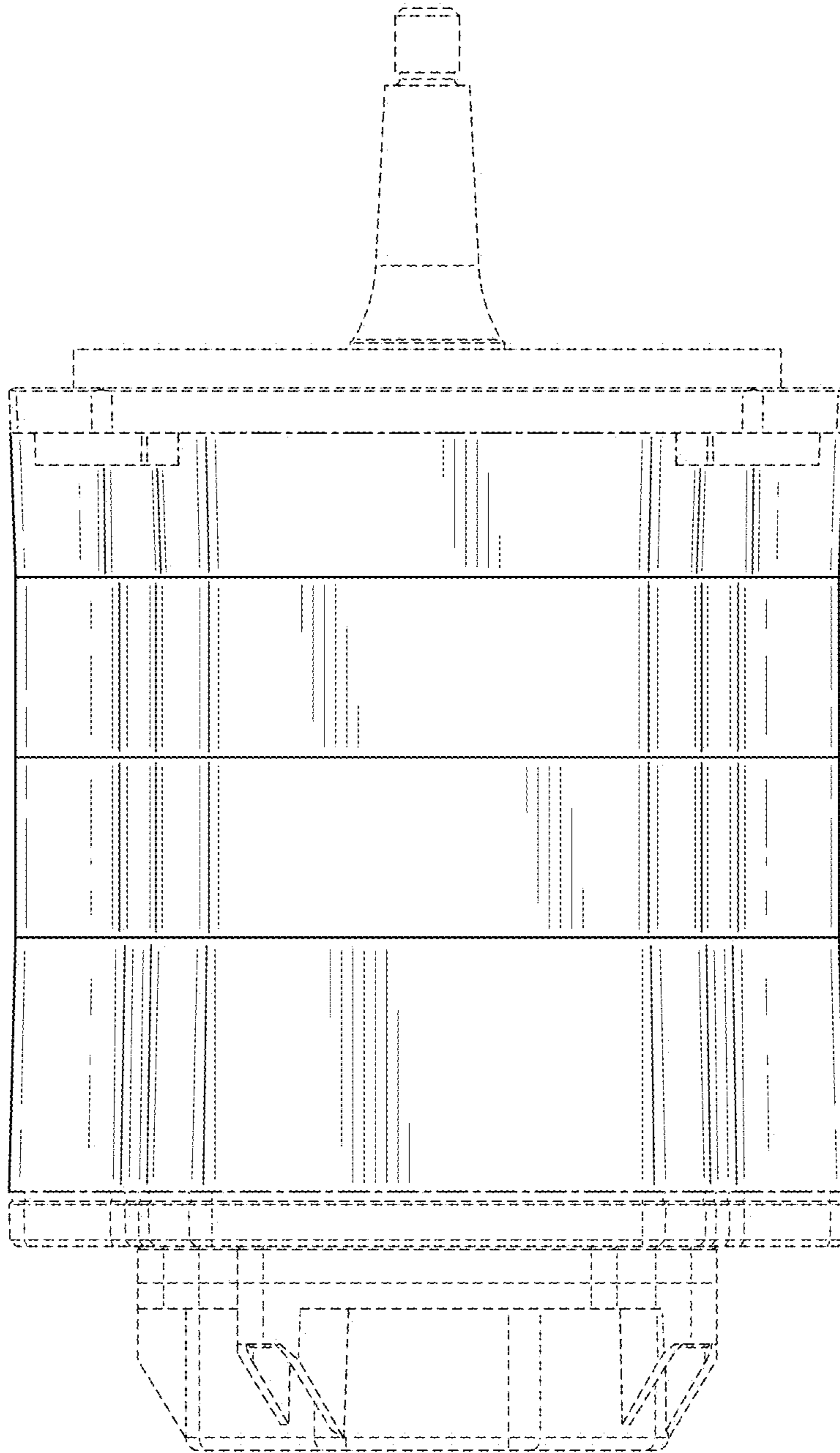
**FIG. 3**



**FIG. 4**



**FIG. 5**



**FIG. 6**

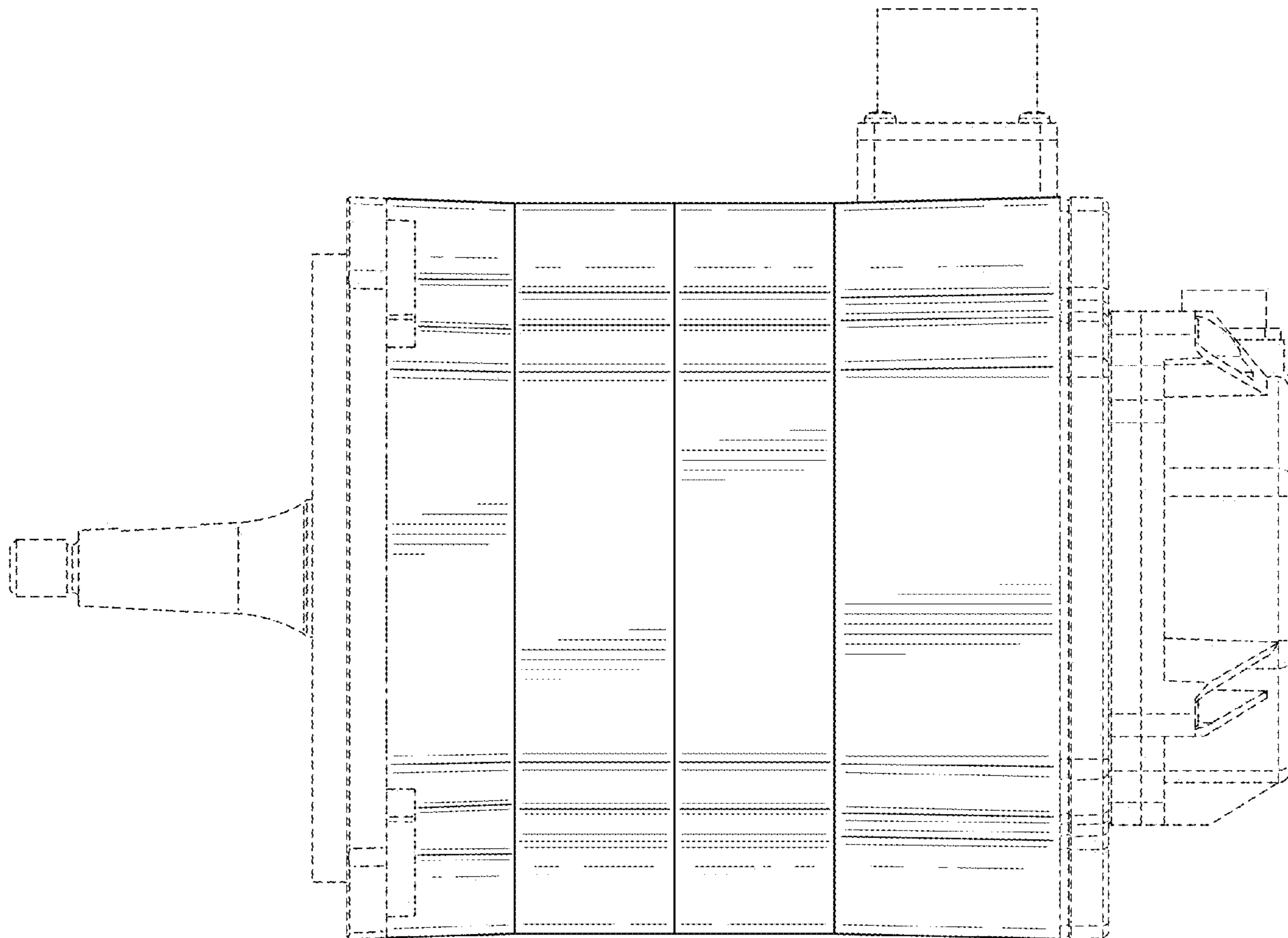


FIG. 7



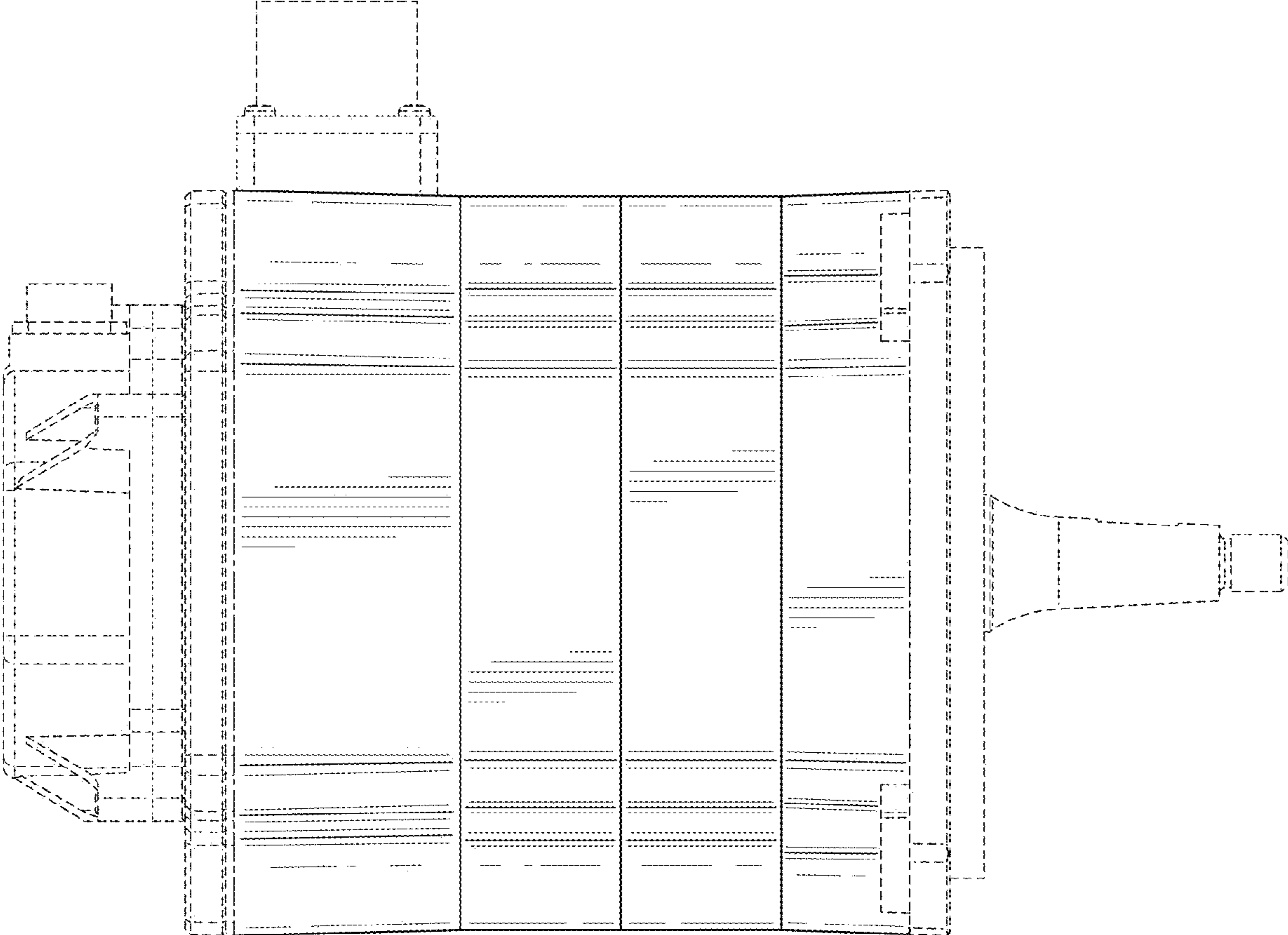


FIG. 8