



US00D983140S

(12) **United States Design Patent** (10) **Patent No.:** **US D983,140 S**
She (45) **Date of Patent:** **** Apr. 11, 2023**

(54) **FOLDABLE WIRELESS CHARGER**

FOREIGN PATENT DOCUMENTS

(71) Applicant: **Shenzhen Autige Technology Co., Ltd,**
Shenzhen (CN)

CN 305439884 * 11/2019
CN 305927936 * 7/2020

(Continued)

(72) Inventor: **Ran She,** Shenzhen (CN)

OTHER PUBLICATIONS

(73) Assignee: **Shenzhen Autige Technology Co., Ltd,**
Shenzhen (CN)

Devialet Mania Station, No Announcement Date [online], retrieved on Jan. 23, 2023, retrieved from internet, https://www.crutchfield.com/S-BlcYYOXLf9n/p_285MANIAST/Devialet-Mania-Station.html?XVINQ=GLX&XVVer=1FIG (Year: NA).*

(Continued)

(**) Term: **15 Years**

Primary Examiner — Barbara Fox
Assistant Examiner — Noah Perez

(21) Appl. No.: **29/868,547**

(22) Filed: **Dec. 6, 2022**

(51) **LOC (14) Cl.** **13-03**

(57) **CLAIM**

(52) **U.S. Cl.**

The ornamental design for a foldable wireless charger, as shown and described.

USPC **D13/108**

(58) **Field of Classification Search**

DESCRIPTION

USPC D13/103, 107, 108, 118, 119, 183;
D14/240, 251, 253, 356, 358, 432, 433,
D14/434, 447

CPC H02J 15/00; H02J 7/0044; H02J 7/0049;
H04B 1/3877; H04M 1/026

See application file for complete search history.

FIG. 1 is a front, right and top perspective view of a foldable wireless charger showing my new design;
FIG. 2 is a rear, right and bottom perspective view thereof;
FIG. 3 is a front view thereof;
FIG. 4 is a rear view thereof;
FIG. 5 is a left side view thereof;
FIG. 6 is a right side view thereof;
FIG. 7 is a top plan view thereof;
FIG. 8 is a bottom plan view thereof;
FIG. 9 is front and left and top perspective view thereof, shown in a first configuration of use;
FIG. 10 is front and left and top perspective view thereof, shown in a second configuration of use; and,
FIG. 11 is front and left and top perspective view thereof, shown in a third configuration of use.
The broken lines in the figures illustrate portions of the foldable wireless charger that form no part of the claimed design.

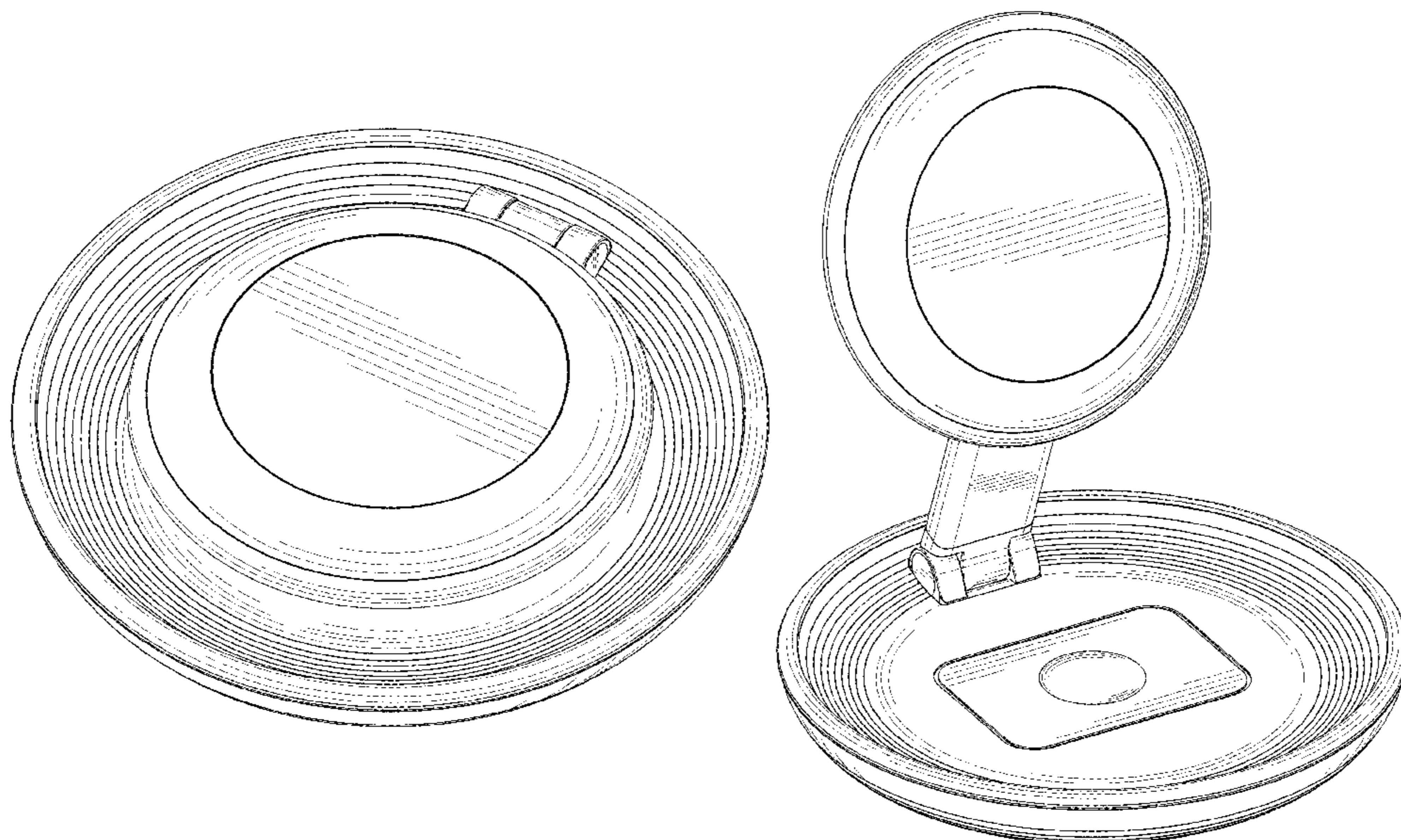
(56) **References Cited**

U.S. PATENT DOCUMENTS

D561,470 S *	2/2008	Jalet	D9/428
D747,267 S *	1/2016	Aumiller	D13/108
D782,973 S *	4/2017	Zhou	D13/108
D797,042 S *	9/2017	Miller	D13/107
D832,208 S *	10/2018	Grois	D13/108
D894,122 S *	8/2020	Ye	D13/108
D897,954 S *	10/2020	Wei	D13/108
D924,796 S *	7/2021	Ye	D28/64.1
D929,322 S *	8/2021	Liu	D3/294
D941,234 S	1/2022	Gao et al.		
D944,213 S *	2/2022	Emami	D13/153

(Continued)

1 Claim, 11 Drawing Sheets



(56)

References Cited

U.S. PATENT DOCUMENTS

D960,092 S * 8/2022 Kojima D13/108
D966,187 S * 10/2022 Zucchetto D13/108
D967,762 S * 10/2022 Briggs D3/294
D969,737 S 11/2022 Huang
2020/0083726 A1* 3/2020 Kim H02J 7/007192

FOREIGN PATENT DOCUMENTS

CN 306972276 * 11/2021
CN 307048237 S 1/2022
GB 6253460 * 1/2023

OTHER PUBLICATIONS

Marketing Pod Wireless Chargers—Quality Logo Products, No Announcement Date [online], retrieved on Jan. 23, 2023, retrieved from internet, <https://www.qualitylogoproducts.com/wireless-charging-pads/pod-wireless-charger.htm?> (Year: NA).*

Wireless Base—Amazon, Announced on Nov. 12, 2022 [online], retrieved on Jan. 23, 2023, retrieved from internet, <https://www.amazon.de/-/en/Generic-Wireless-Base-Cell-Phone-Charger/dp/B0B5B5G5LC> (Year: 2022).*

* cited by examiner

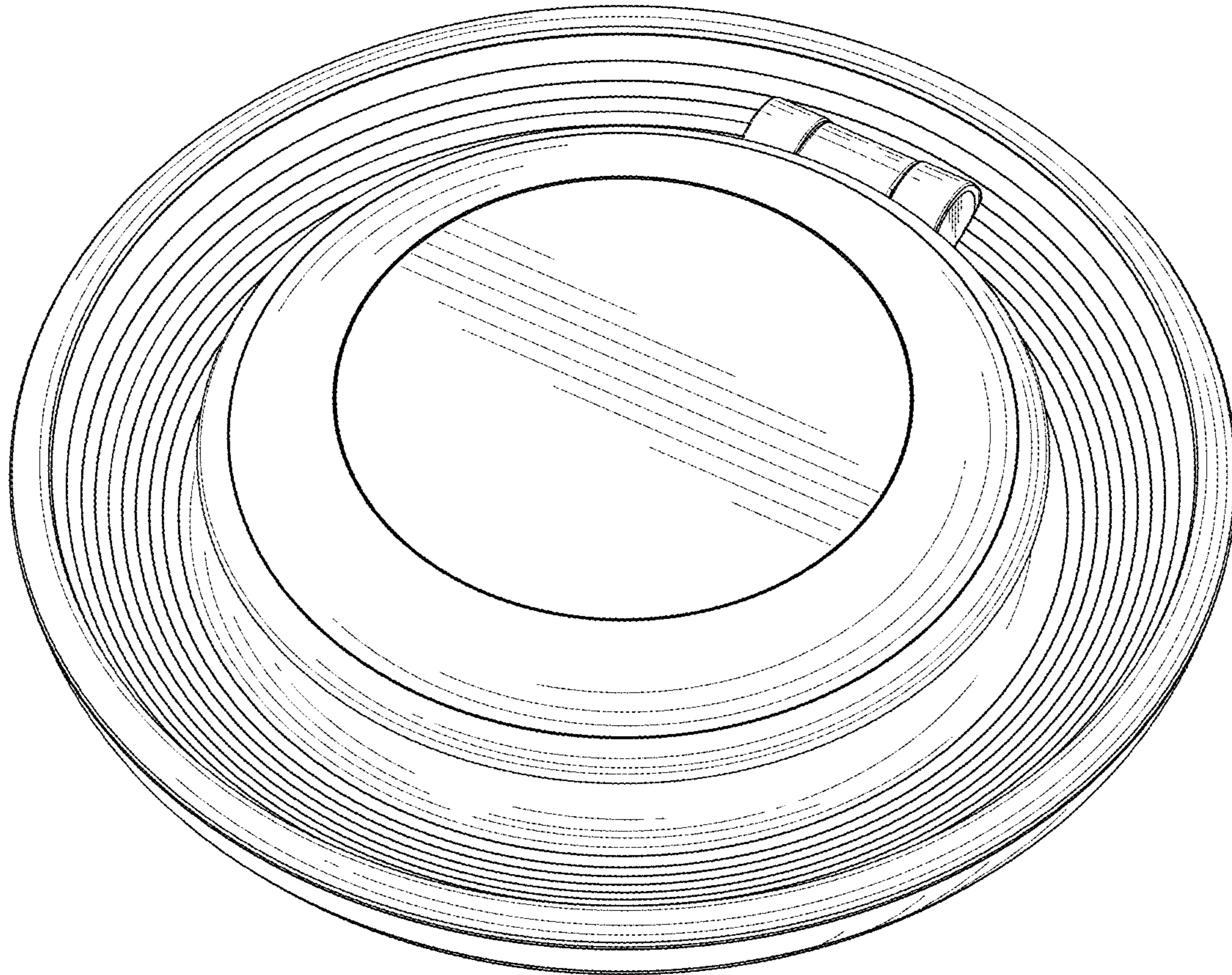


FIG. 1

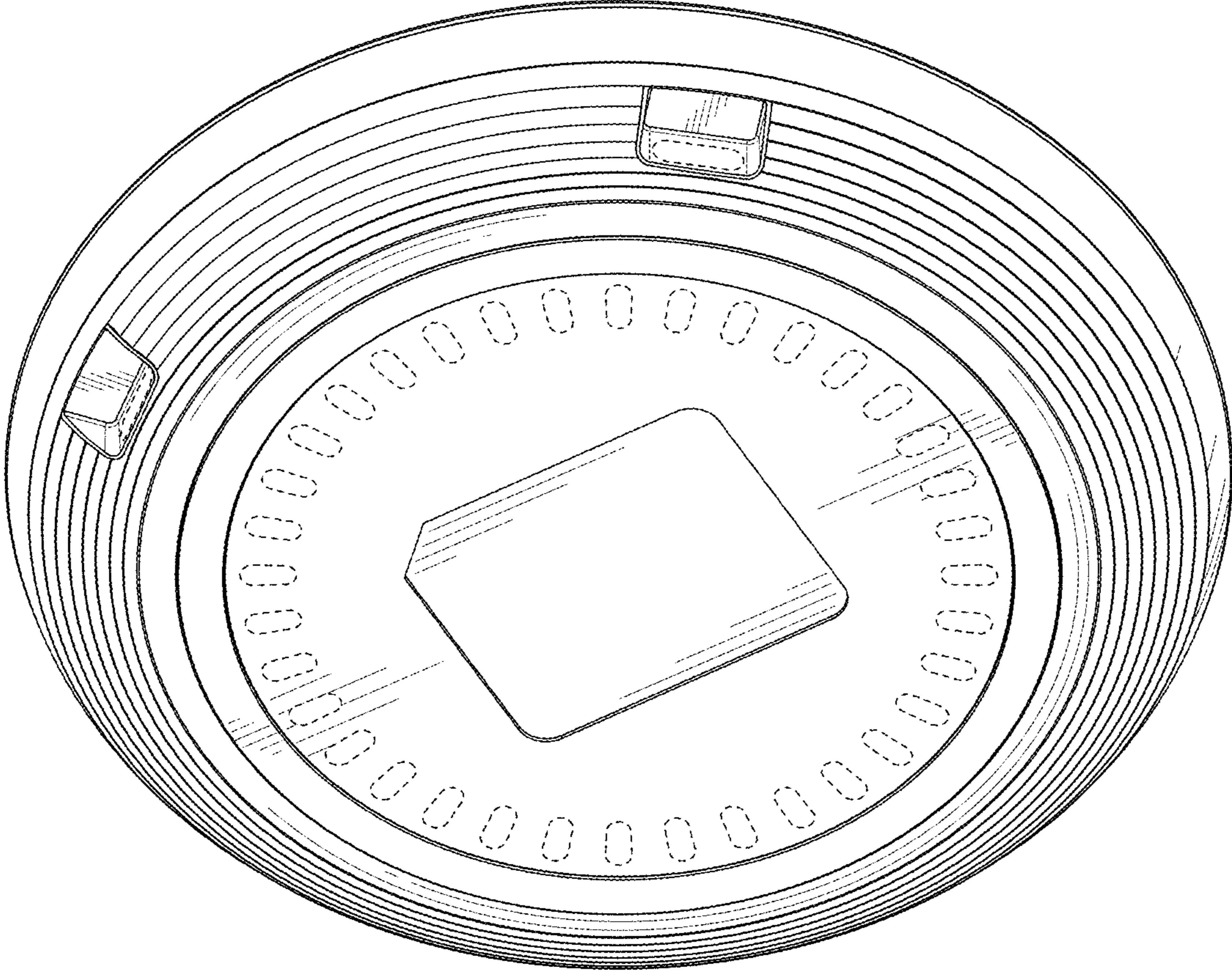


FIG. 2



FIG. 3



FIG. 4

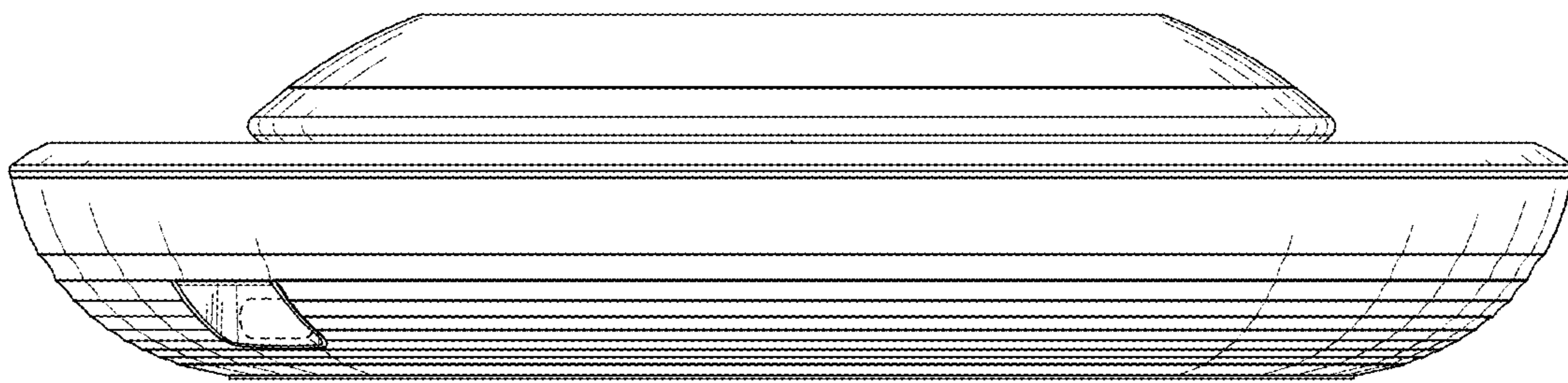


FIG. 5



FIG. 6

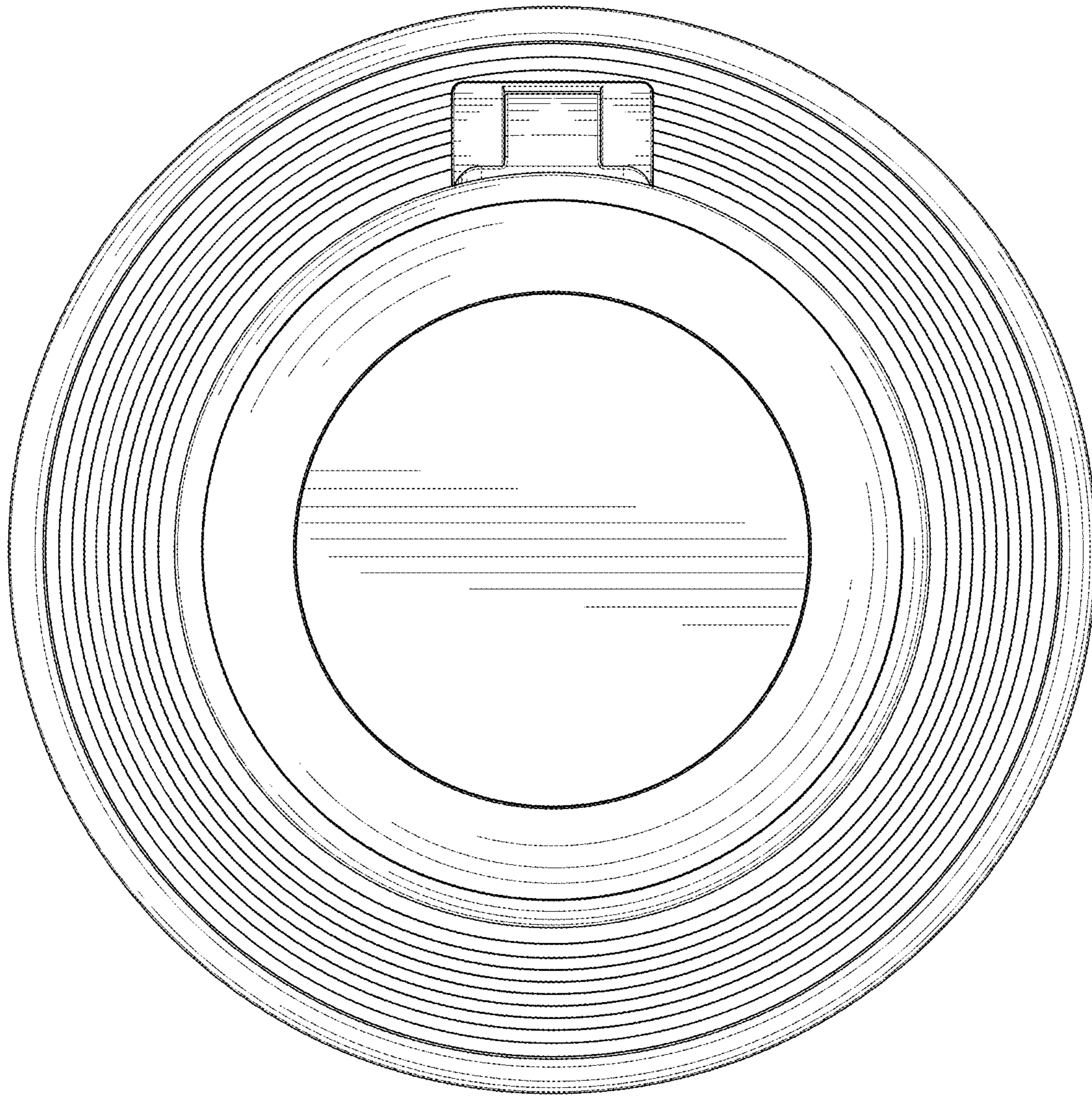


FIG. 7

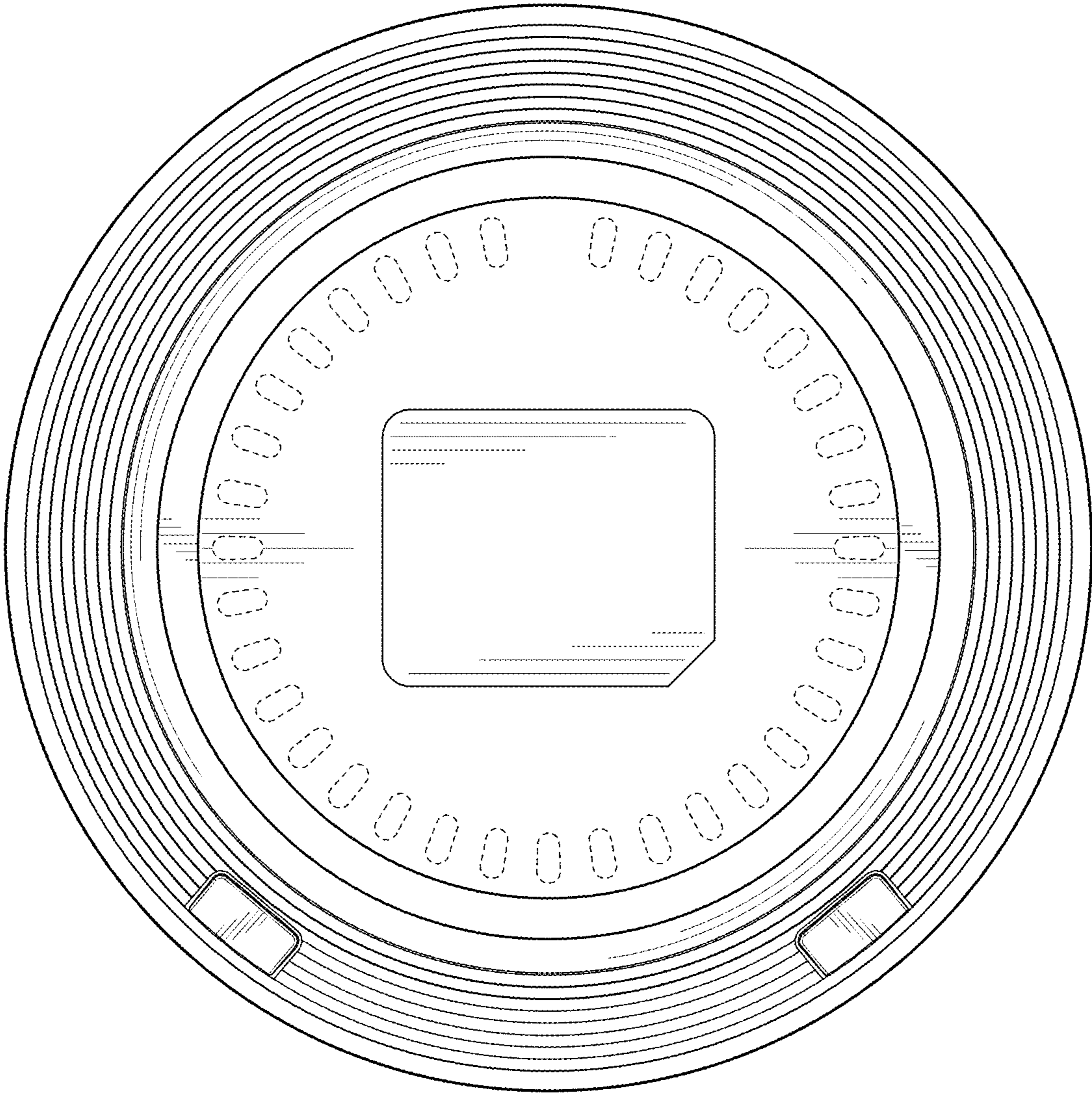


FIG. 8

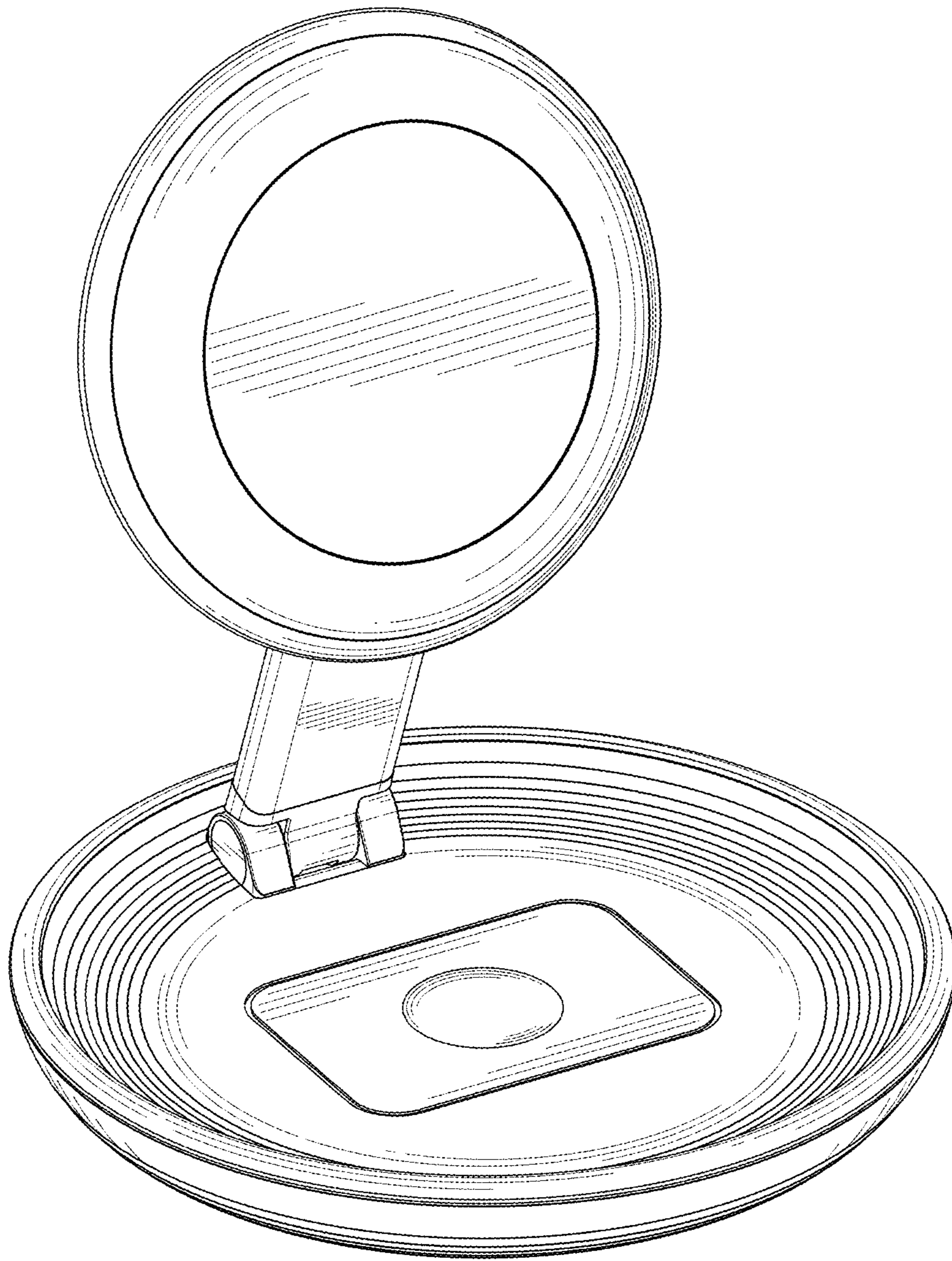


FIG. 9

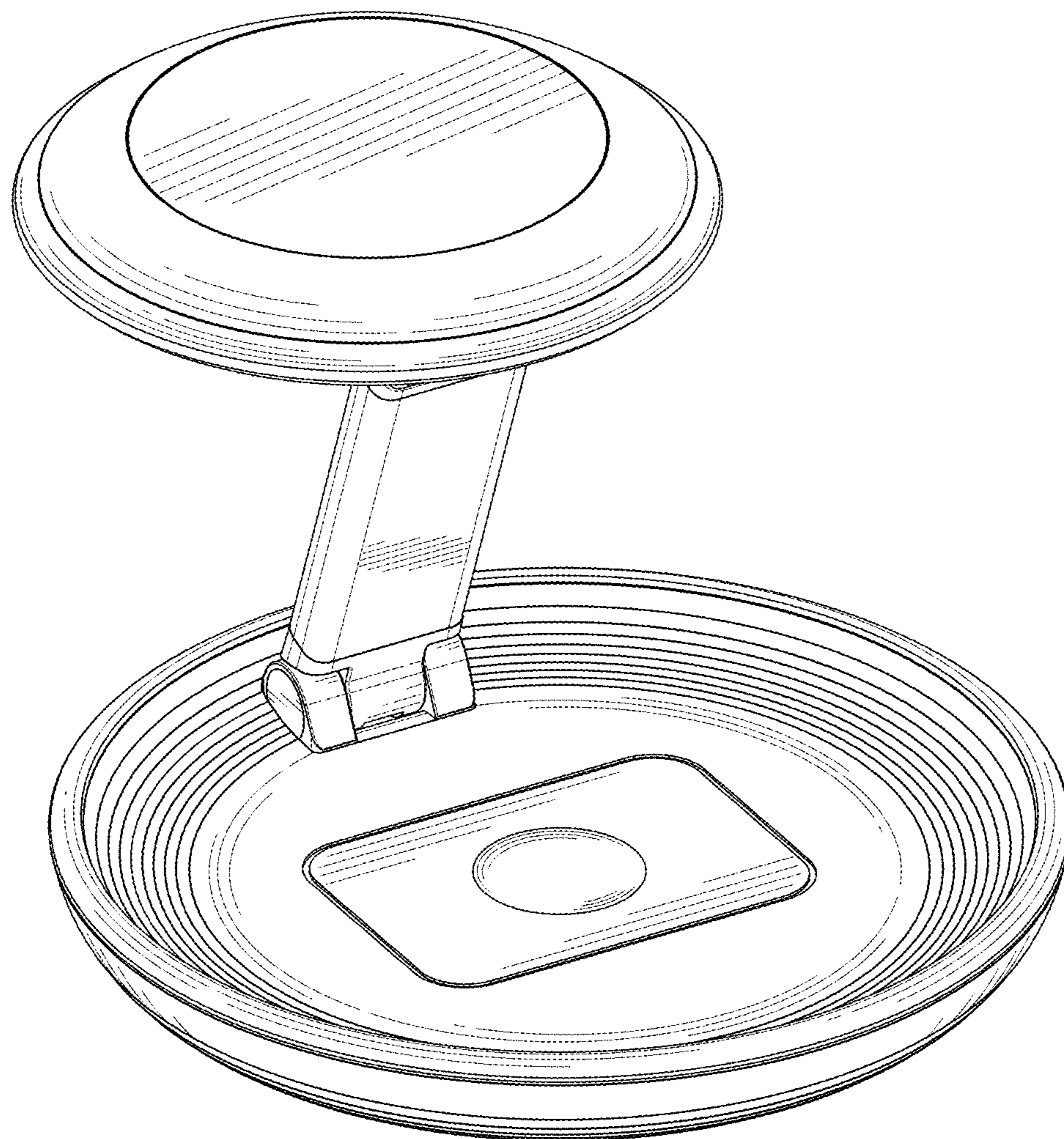


FIG. 10

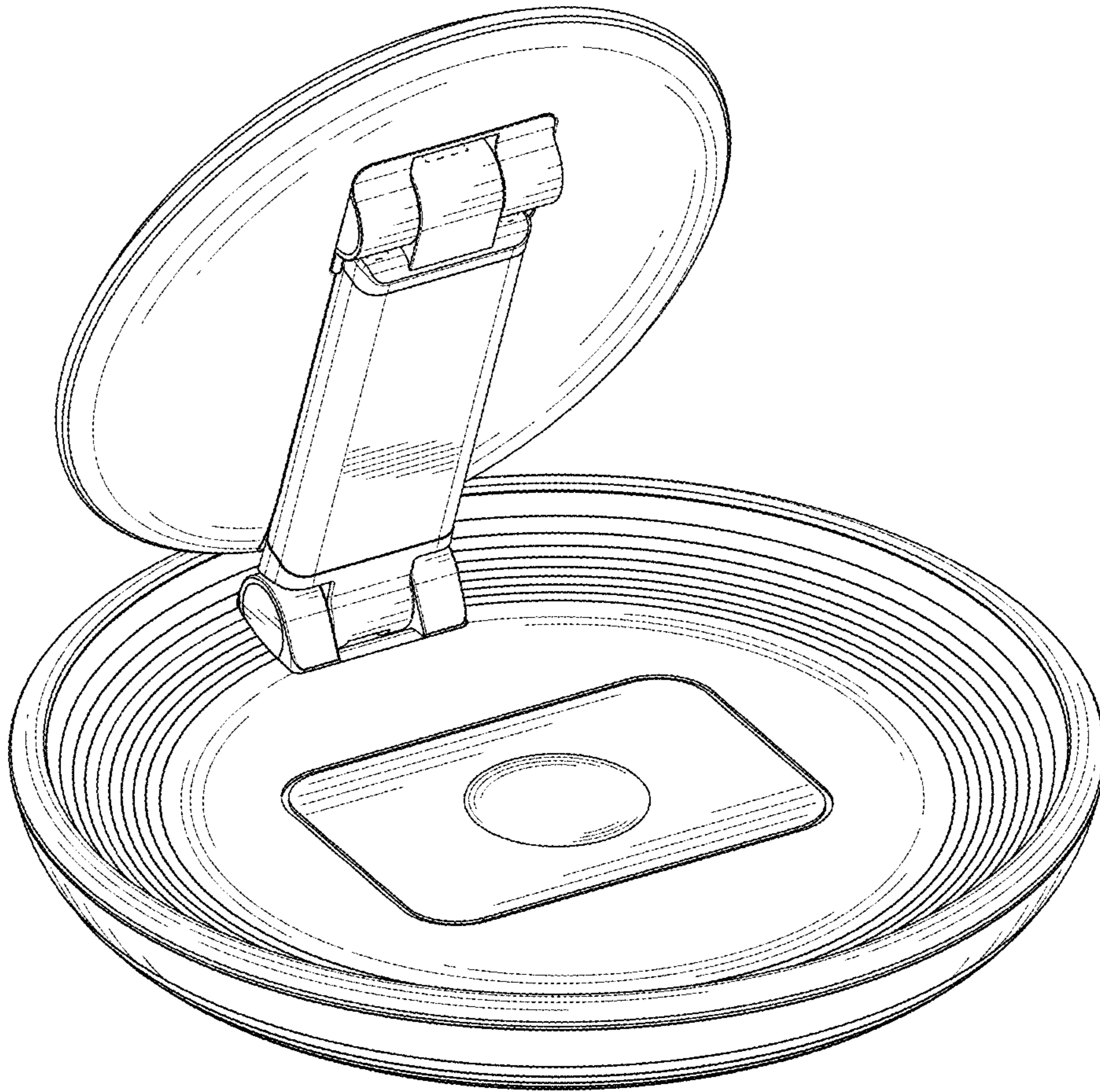


FIG. 11