



US00D983139S

(12) **United States Design Patent** (10) **Patent No.:** **US D983,139 S**
Luo (45) **Date of Patent:** **** Apr. 11, 2023**

(54) **BATTERY CHARGER**

(71) Applicant: **Xue Luo**, Qidong (CN)

(72) Inventor: **Xue Luo**, Qidong (CN)

(**) Term: **15 Years**

(21) Appl. No.: **29/867,877**

(22) Filed: **Nov. 11, 2022**

(51) **LOC (14) Cl.** **13-02**

(52) **U.S. Cl.**
USPC **D13/108**

(58) **Field of Classification Search**

USPC D13/102-108, 110, 118, 119, 184, 199;
D14/251, 253, 432, 434
CPC H02J 7/0021; H02J 7/0026; H02J 7/0044;
H02J 7/0045; H02J 7/0054; H02J 7/02;
H02J 7/0027; H02J 50/80; H01M 10/44;
H01M 10/46; H01M 10/0413; H01M
10/0445; H01M 10/0436; H01M 10/05;
H01M 10/052; H01M 50/103; H01M
50/20; H01M 50/204; H01M 50/209;
H01M 50/258; H01M 8/24; H01M
8/2404; H01M 8/249; H05K 5/00; H05K
5/0018; H02G 3/10; B60L 53/00; B60L
53/10; B60L 53/12; B60L 53/14; B60L
53/16; B60L 53/18; B60L 53/31; B60L
53/50

See application file for complete search history.

(56) **References Cited**

U.S. PATENT DOCUMENTS

D632,648 S 2/2011 Yang
D769,815 S * 10/2016 Ohno D13/107
D817,269 S * 5/2018 Sukphist D13/103
D879,712 S 3/2020 Fan
D890,695 S * 7/2020 Chang D13/107
D893,418 S * 8/2020 Liao D13/103
D908,085 S * 1/2021 Liu D13/110
D909,968 S * 2/2021 Chen D13/108

D910,559 S * 2/2021 Lin D13/110
D940,652 S * 1/2022 Tung D13/108
D941,761 S * 1/2022 Liao D13/110
D952,562 S * 5/2022 Akana D13/119
D959,376 S * 8/2022 Wang D13/119
D960,831 S * 8/2022 Yang D13/108
D960,882 S * 8/2022 Spinella D13/108
D962,167 S * 8/2022 Spinella D13/119
D964,930 S * 9/2022 Woo D13/103
D966,188 S * 10/2022 Confavreux D13/108
D969,738 S * 11/2022 Liao D13/108

(Continued)

OTHER PUBLICATIONS

Amazon.com: ERSZOO Wireless Charger . . . Date first available of Jul. 12, 2022. Retrieved from the internet at <<https://www.amazon.com/ERSZOO-Wireless-Charger-Charging-Compatible/dp/B0B6CR8X9G/>>, Dec. 8, 2022. 1 page. (Year: 2022).*

(Continued)

Primary Examiner — Christy Nemeth

(74) *Attorney, Agent, or Firm* — Vladimir Postnikov

(57) **CLAIM**

The ornamental design for a battery charger, as shown and described.

DESCRIPTION

FIG. 1 is a front elevation view of a battery charger showing the new design;

FIG. 2 is a back elevation view thereof;

FIG. 3 is a left-side view thereof;

FIG. 4 is a right-side view thereof;

FIG. 5 is a top plan view thereof;

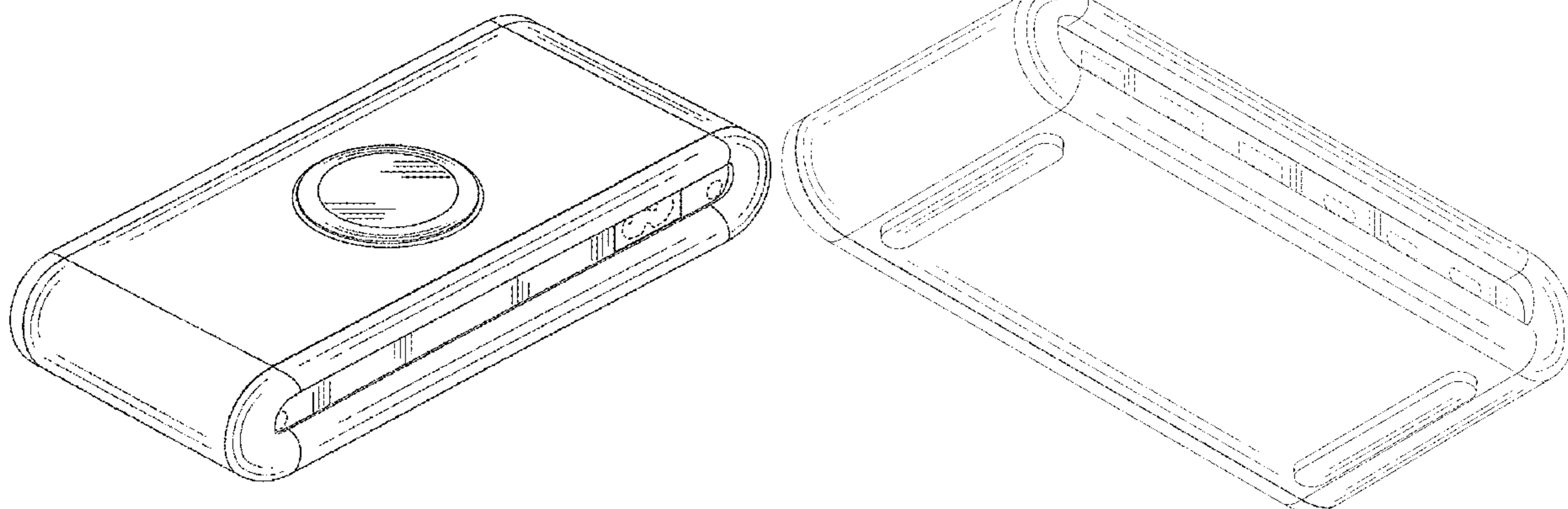
FIG. 6 is a bottom plan view thereof;

FIG. 7 is a first perspective view thereof; and,

FIG. 8 is a second perspective view thereof.

The broken lines depict portions of the article that form no part of the claimed design.

1 Claim, 8 Drawing Sheets



(56)

References Cited

U.S. PATENT DOCUMENTS

D975,640 S * 1/2023 Lu D13/108

OTHER PUBLICATIONS

USB Charging Station, ZiwoDiv 8-Port 60W/12A USB Charger Station, Multi Ports USB-A Charging Hub with LED Display, Compact Desktop Charger for Multiple Devices, iPhone iPad Samsung Android and Tablet, Sold by TIANYI-EU, from Amazon.com, printed on Nov. 10, 2022.

Vanbon 60W 8-Port USB Wall Charger, Multi Port USB Charger Charging Station W/LCD Compatible with Smart Phone, Tablet and Multiple Devices, from Amazon.com, printed on Nov. 10, 2022.

Anker Foldable 3-in-1 Wireless Charging Station with Adapter, 335 Wireless Charger, Works with iPhone 13/13 Pro Max, AirPods Pro, Apple Watch Series 1-6 (Watch Charging Cable Not Included), from Amazon.com, printed on Nov. 10, 2022.

10 in 1 Docking Station, HOPDAY Dual Display Laptop USB C Docking Station, USB C Hub Dock for MacBook & Windows (HDMI, VGA, PD 100W, Ethernet, SD/TF Card Reader, Audio, 3 USB Ports) (10 in 1), Sold by HOPDAY-US, from Amazon.com, printed on Nov. 10, 2022.

* cited by examiner

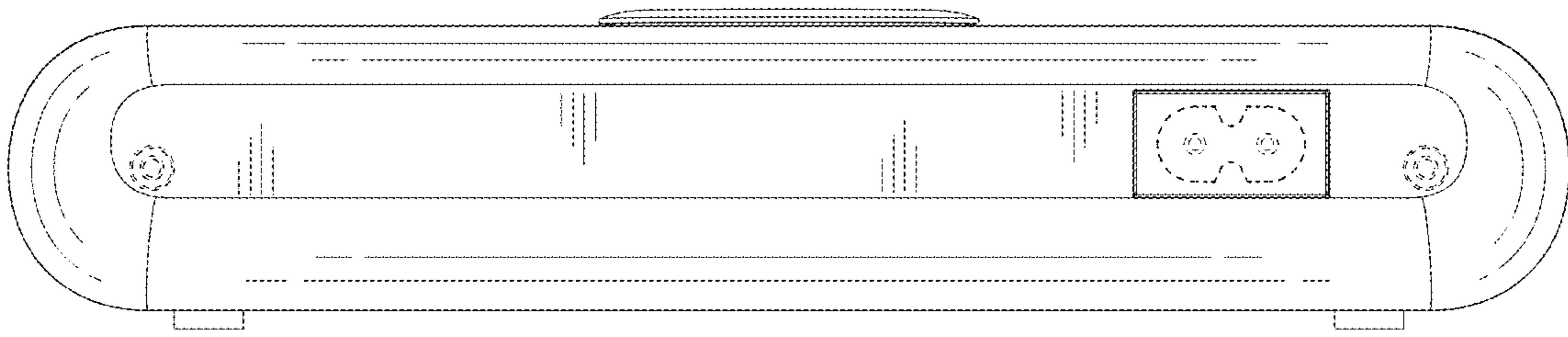


FIG. 1

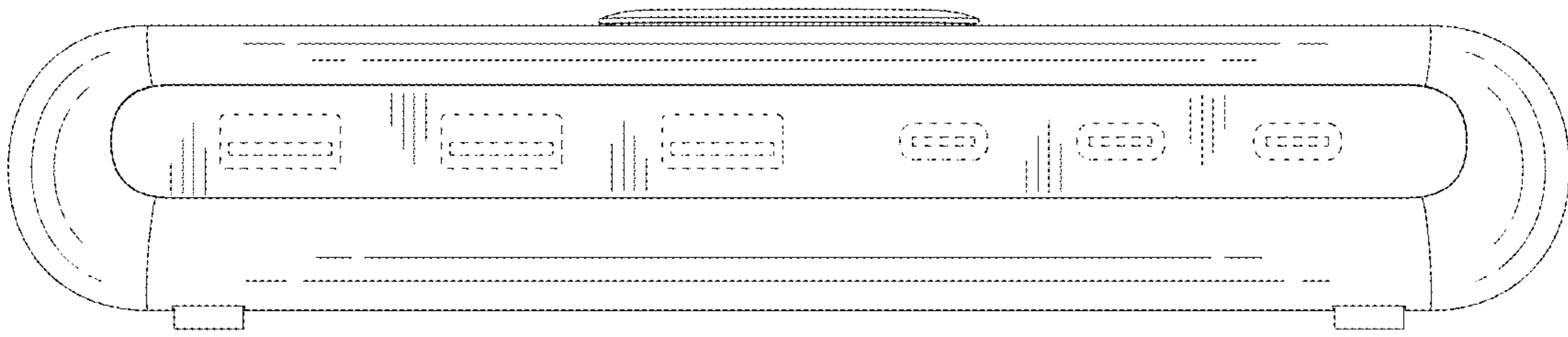


FIG. 2

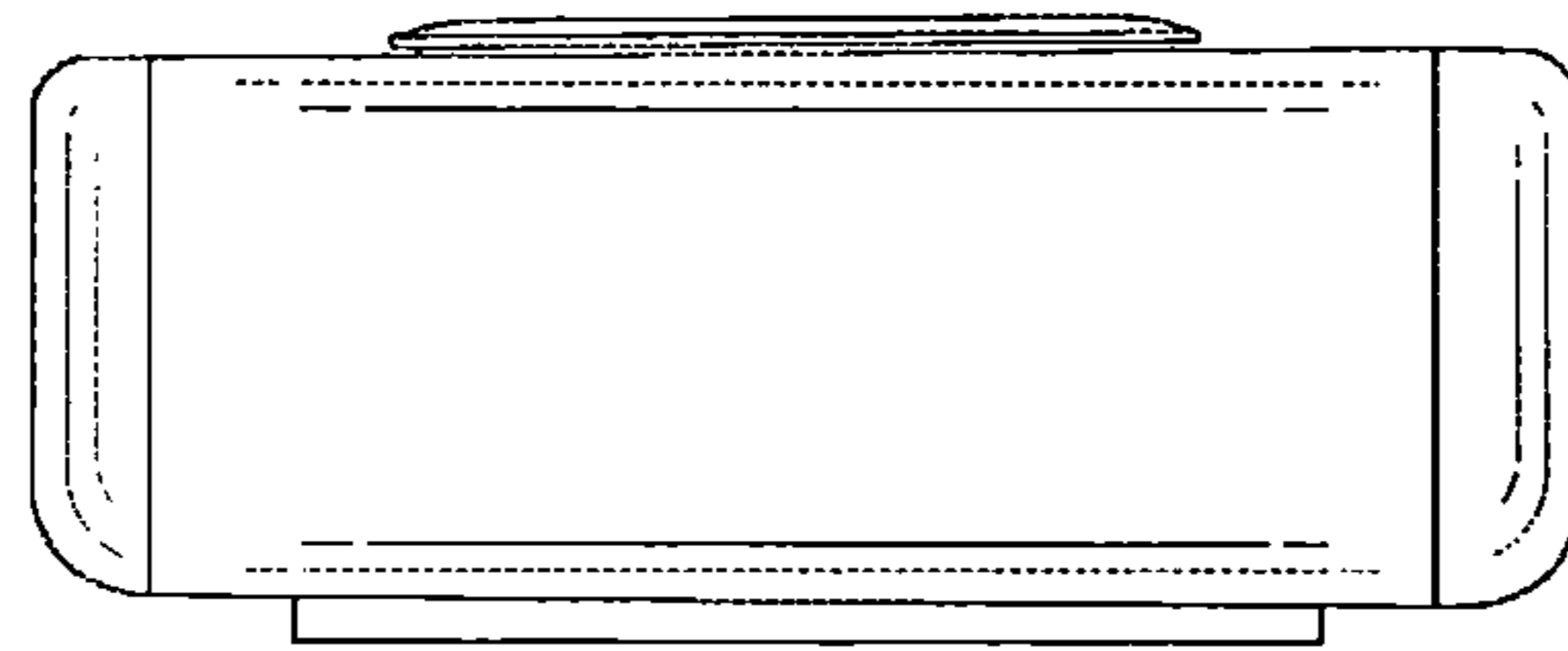


FIG. 3

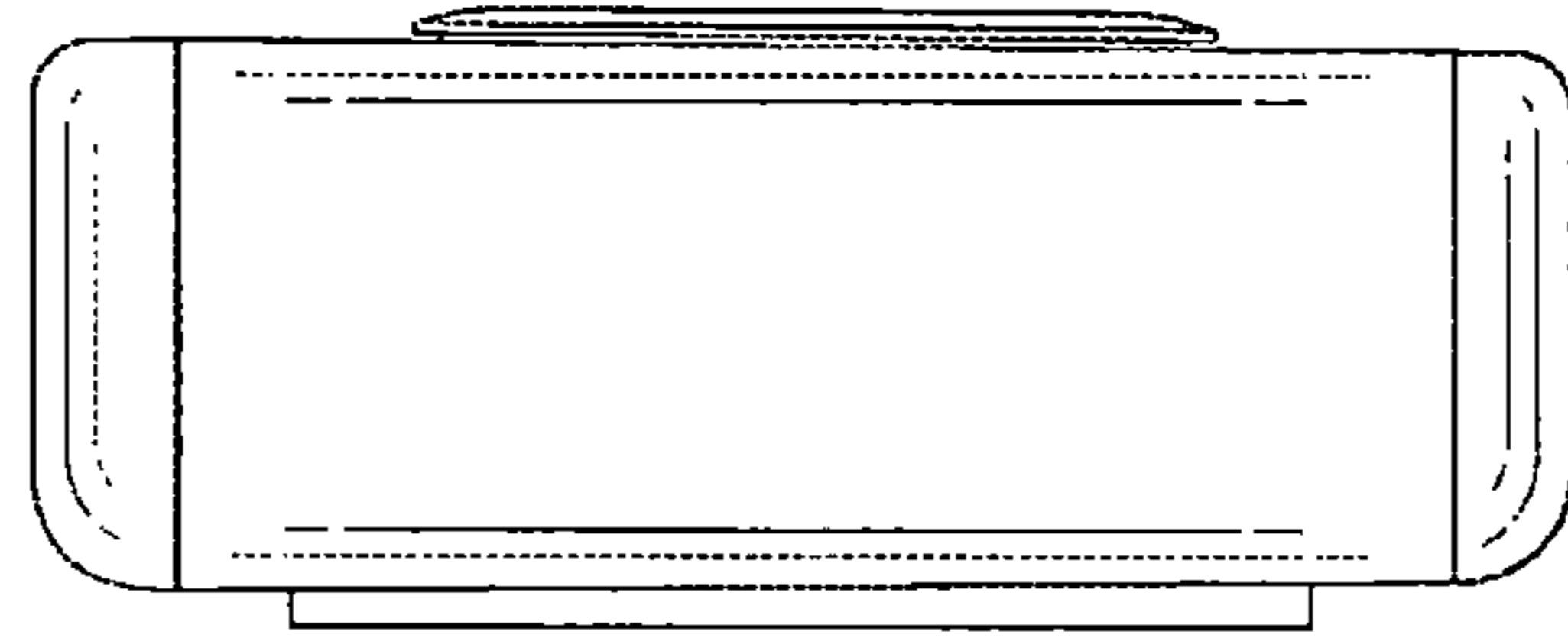


FIG. 4

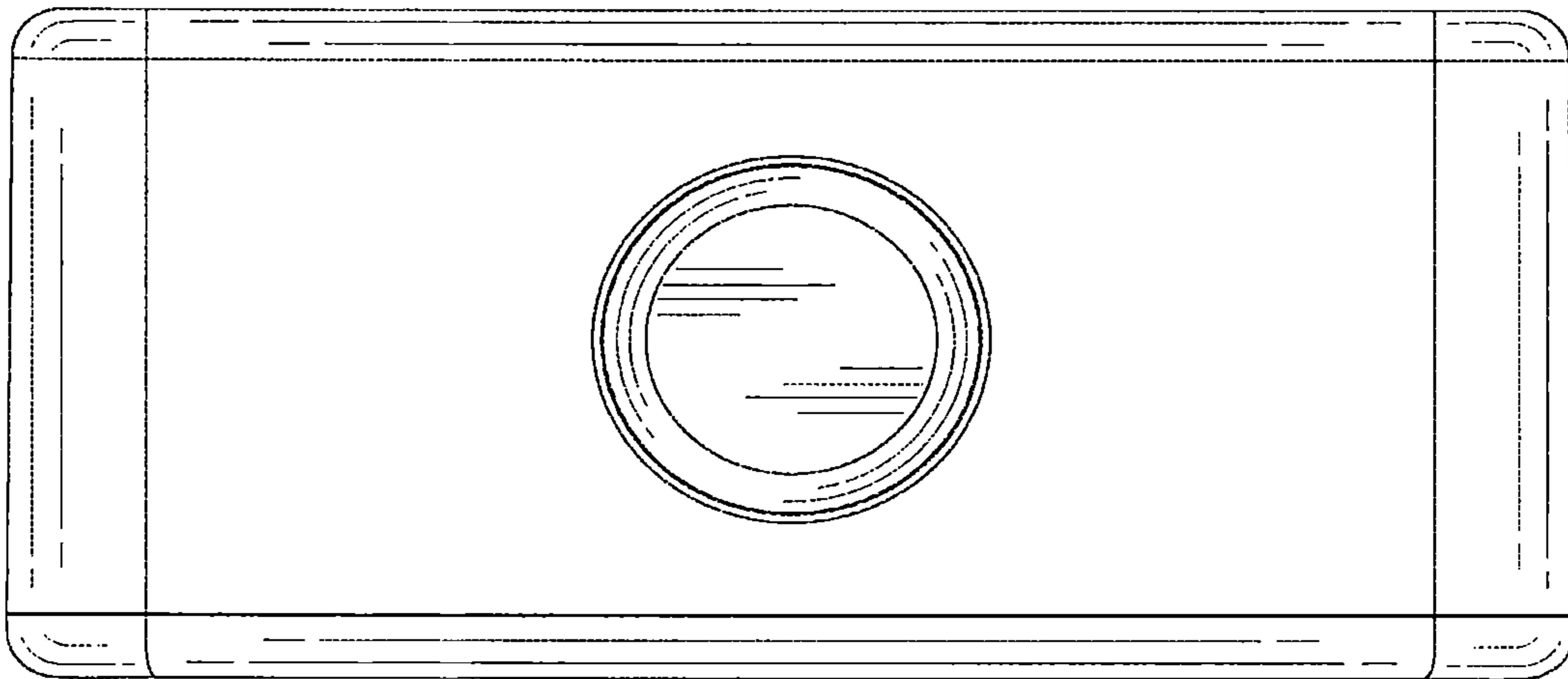


FIG. 5

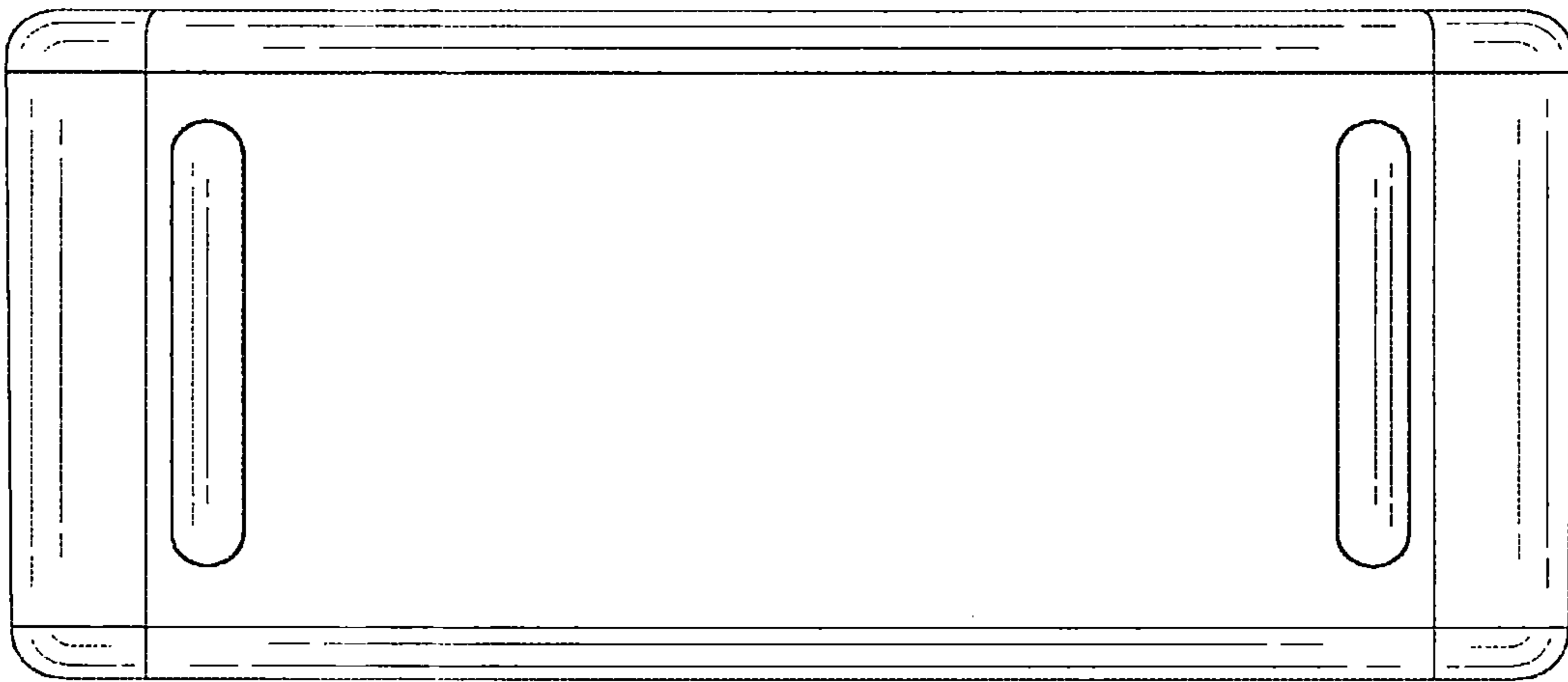


FIG. 6

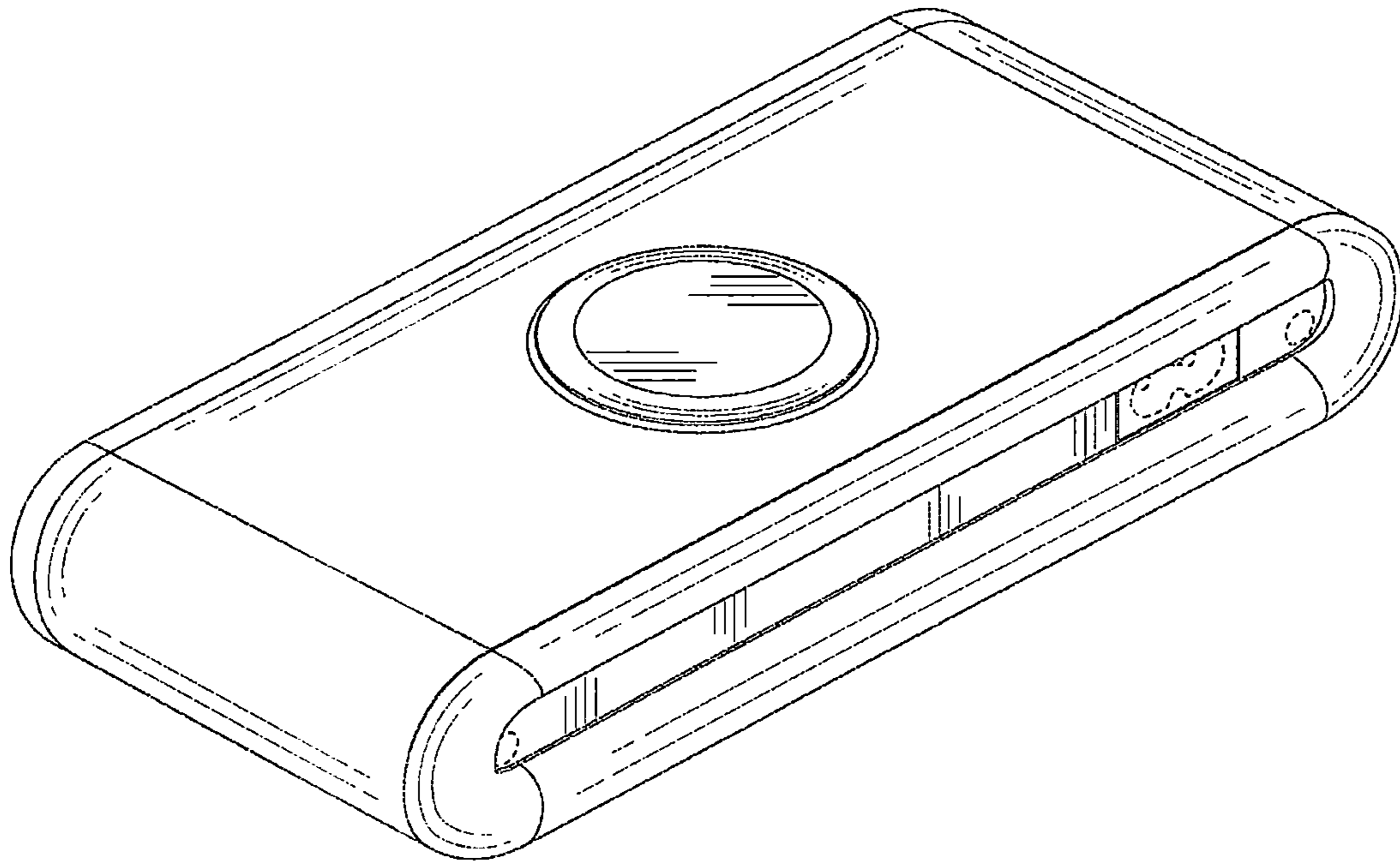


FIG. 7

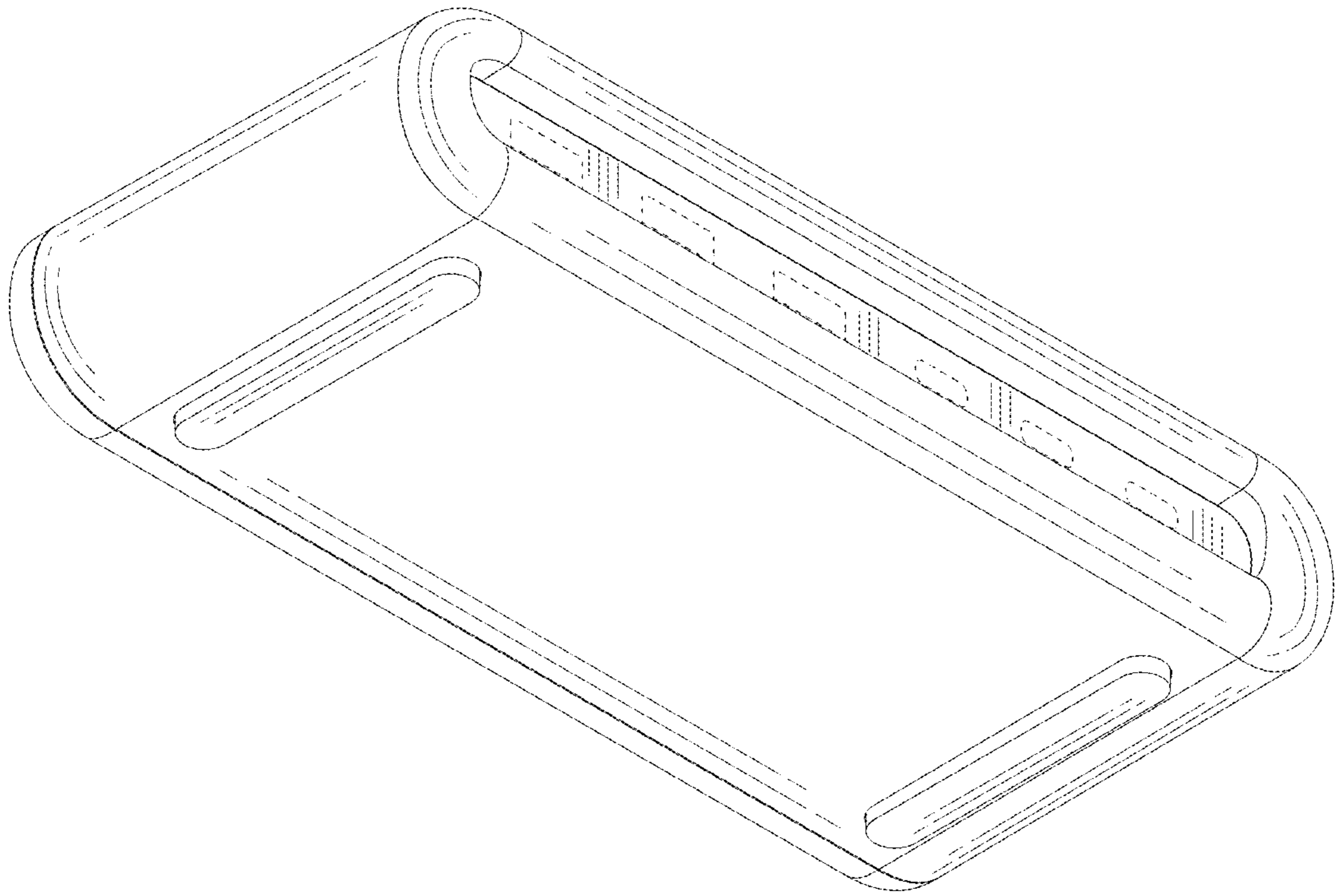


FIG. 8