



US00D983138S

(12) **United States Design Patent**
Liao

(10) **Patent No.:** **US D983,138 S**

(45) **Date of Patent:** **** Apr. 11, 2023**

(54) **WIRELESS CHARGER KIT**

(71) Applicant: **Qianhai Junda (Shenzhen) Equity Investment Co., Ltd, Shenzhen (CN)**

(72) Inventor: **Zhuowen Liao, Shenzhen (CN)**

(73) Assignee: **Qianhai Junda (Shenzhen) Equity Investment Co., Ltd, Shenzhen (CN)**

(**) Term: **15 Years**

(21) Appl. No.: **29/799,914**

(22) Filed: **Jul. 16, 2021**

(30) **Foreign Application Priority Data**

Jun. 7, 2021 (CN) 202130349292.0

(51) **LOC (14) Cl.** **13-02**

(52) **U.S. Cl.**
USPC **D13/108**

(58) **Field of Classification Search**
USPC D13/103, 107, 108, 118, 119, 183;
D14/240, 251, 253, 356, 358, 432, 433,
D14/434, 447

CPC H02J 15/00; H02J 7/0044; H02J 7/0049;
H04B 1/3877; H04M 1/026
See application file for complete search history.

(56) **References Cited**

U.S. PATENT DOCUMENTS

D638,789 S *	5/2011	Markowitz	D13/108
D857,626 S *	8/2019	Zhang	D13/108
D905,042 S *	12/2020	Lim	D14/434
D911,278 S *	2/2021	Shang	D13/108
D928,702 S *	8/2021	Liao	D13/108
D951,864 S *	5/2022	Chen	D13/108

D955,331 S *	6/2022	Wang	D13/108
D960,095 S *	8/2022	Chen	D13/108
D967,020 S *	10/2022	Wu	D13/108
D971,139 S *	11/2022	Lin	D13/108
D975,636 S *	1/2023	Zhao	D13/108

OTHER PUBLICATIONS

Best 3 in 1 Apple Charging Station, Announced on Aug. 25, 2022 [online], Retrieved on Feb. 6, 2023, Retrieved from internet, <https://appleinsider.com/inside/iphone/best/best-3-in-1-charging-stations-for-iphone-airpods-and-apple-watch> (Year: 2022).*

* cited by examiner

Primary Examiner — Barbara Fox
Assistant Examiner — Noah Perez

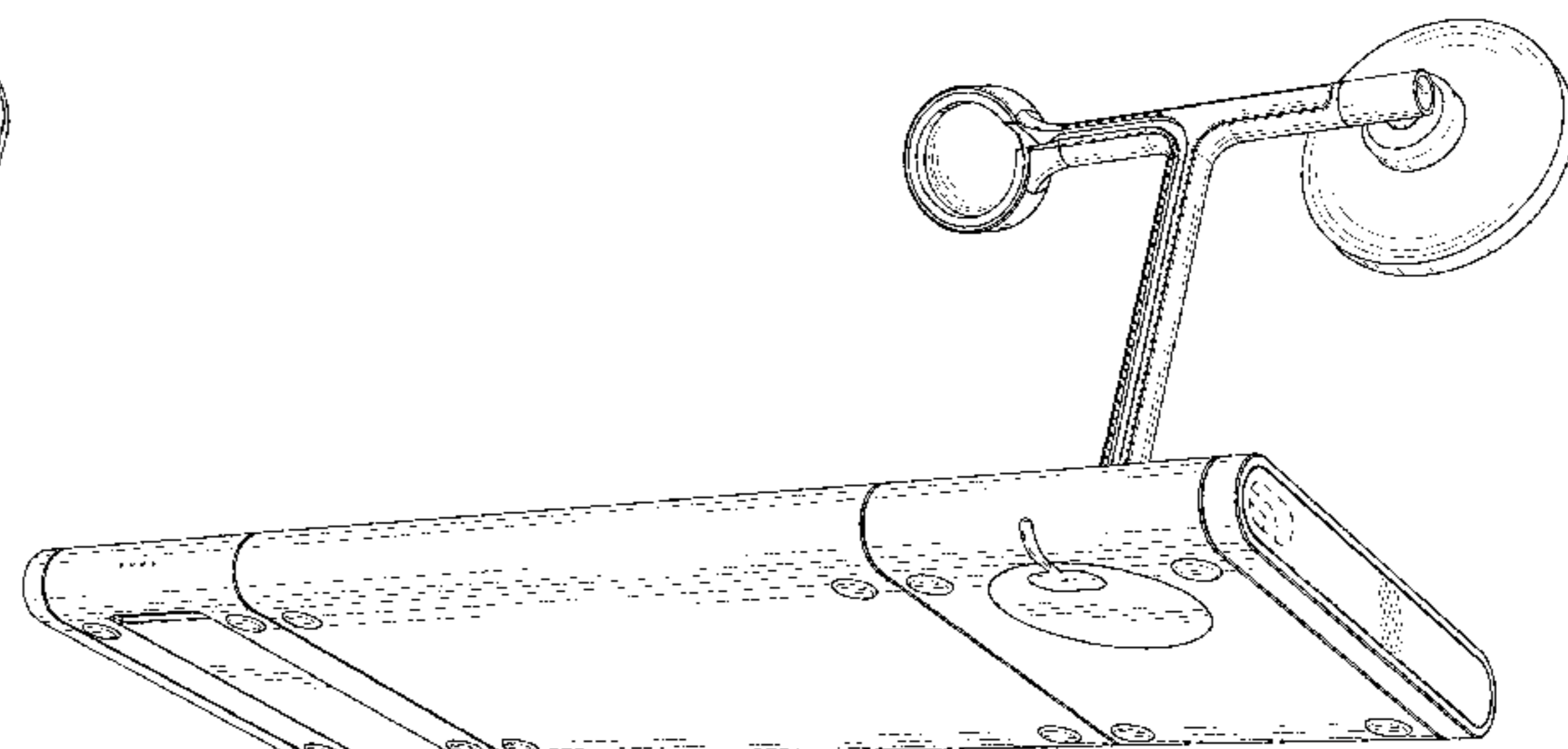
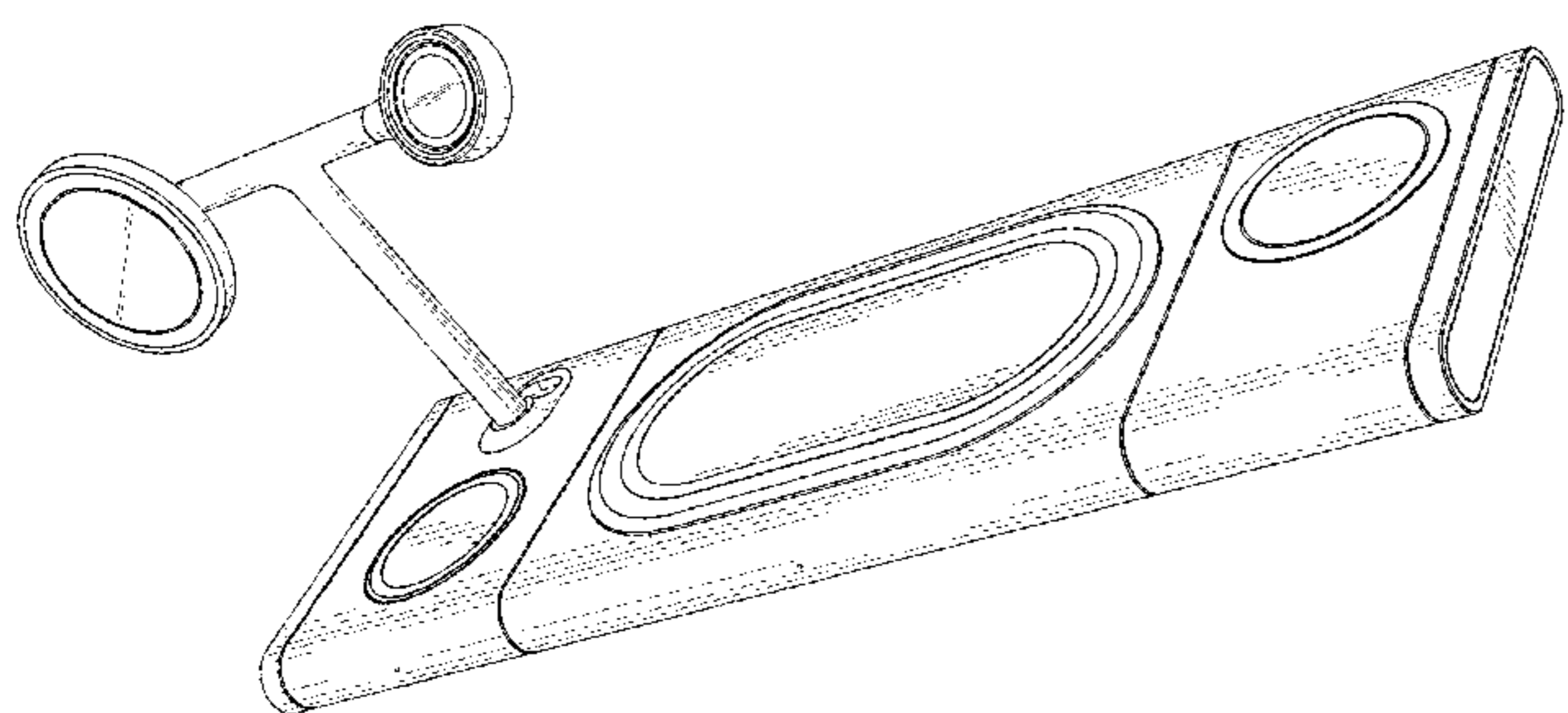
(57) **CLAIM**

The ornamental design for a wireless charger kit, as shown and described.

DESCRIPTION

FIG. 1 is a top, front and right perspective view of a wireless charger kit showing my new design;
FIG. 2 is a left, rear and bottom perspective view thereof;
FIG. 3 is a front view thereof;
FIG. 4 is a rear view thereof;
FIG. 5 is a left side view thereof;
FIG. 6 is a right side view thereof;
FIG. 7 is a top plan view thereof; and,
FIG. 8 is a bottom plan view thereof.
The broken lines in the figures illustrate portions of the wireless charger kit that form no part of the claimed design.

1 Claim, 8 Drawing Sheets



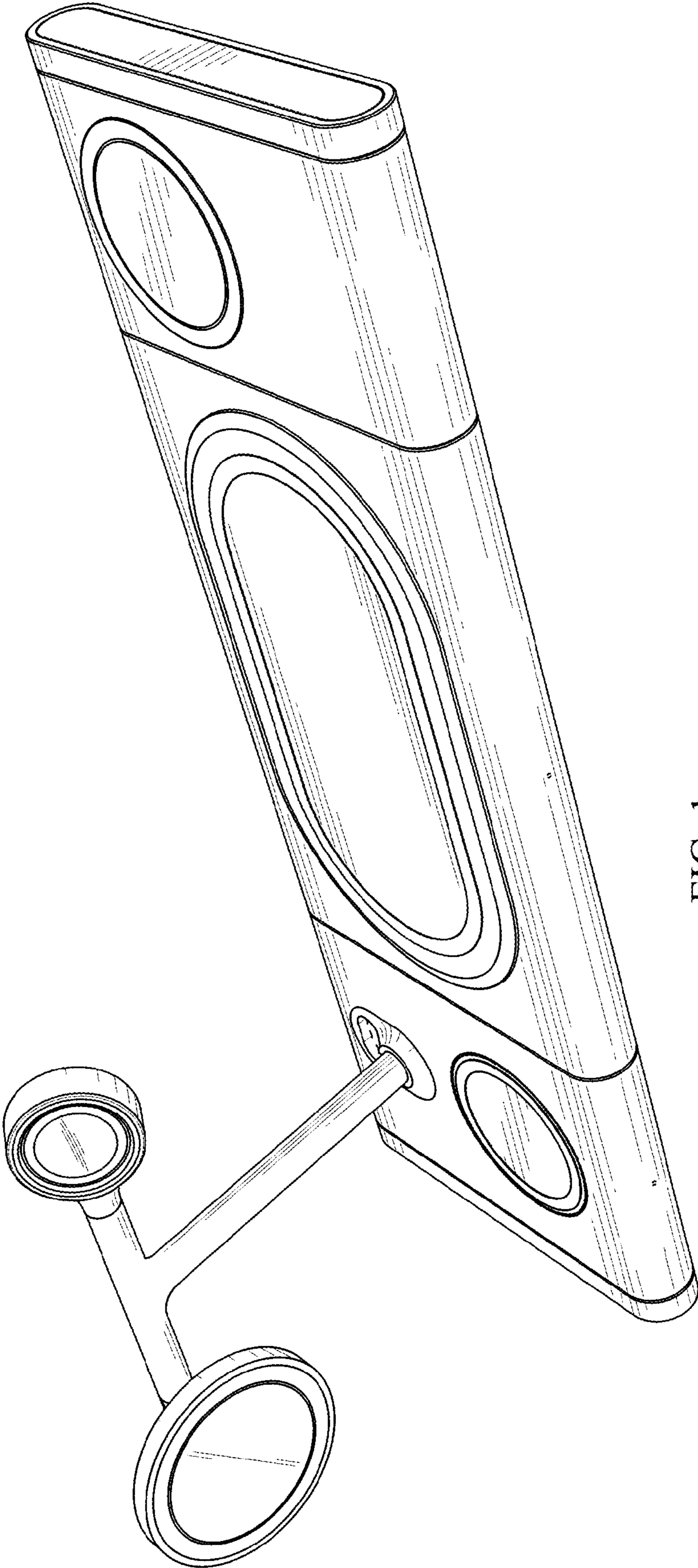


FIG. 1

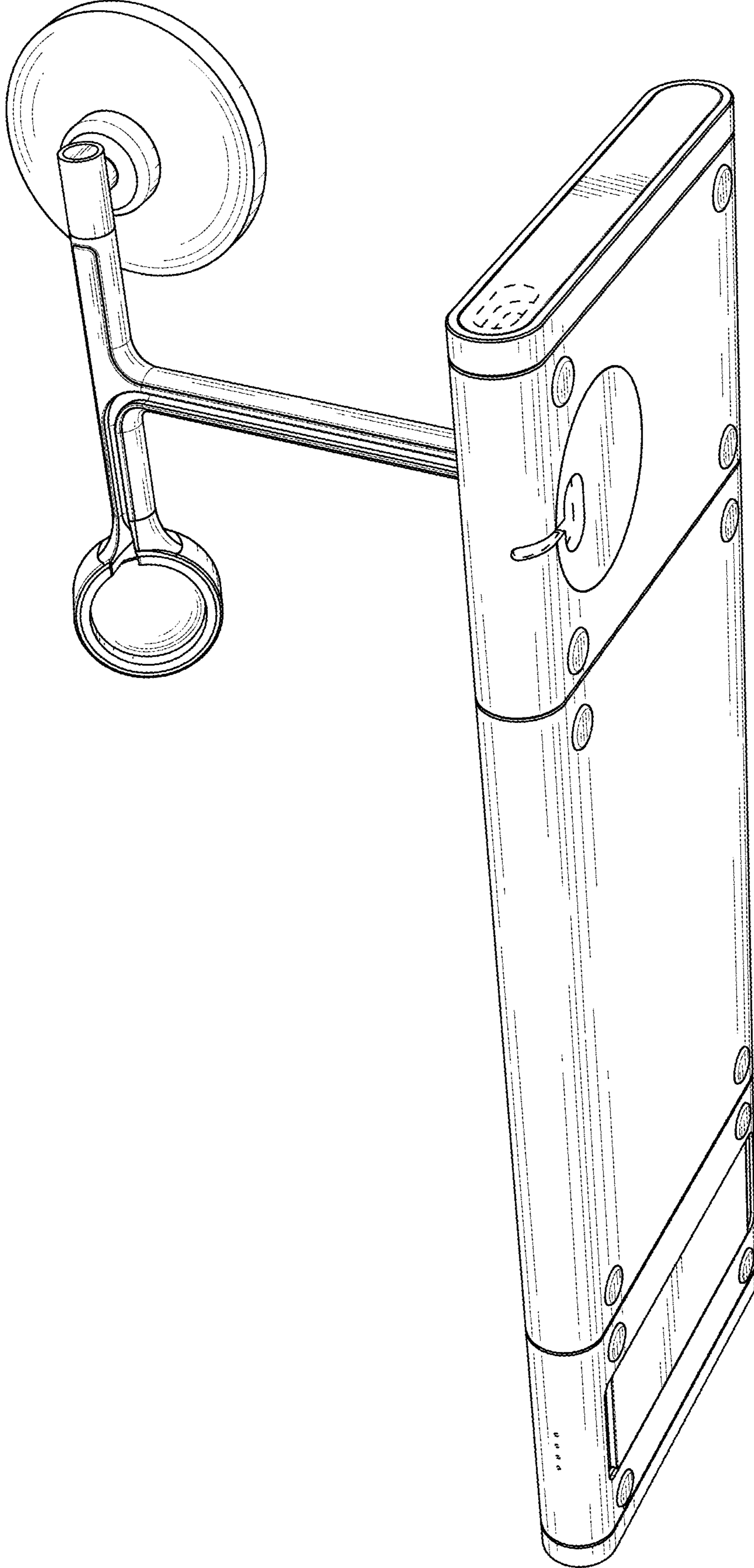


FIG. 2

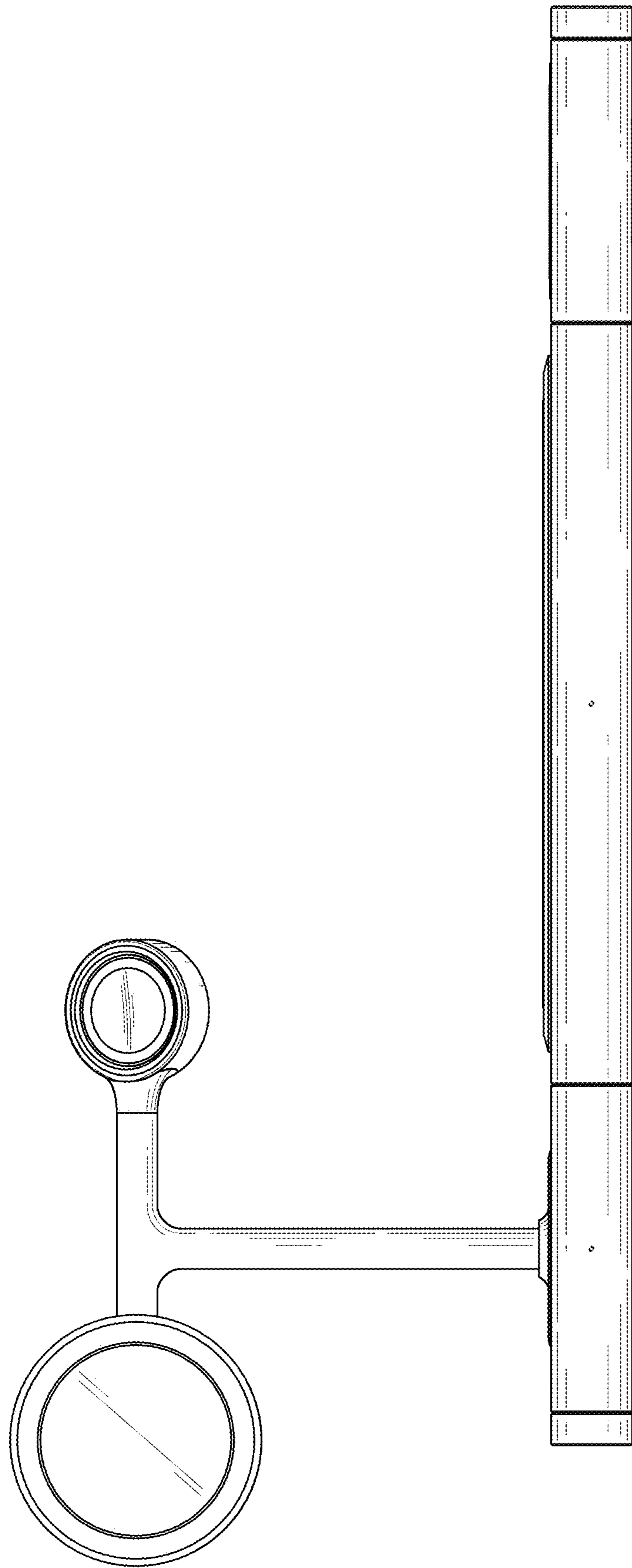


FIG. 3

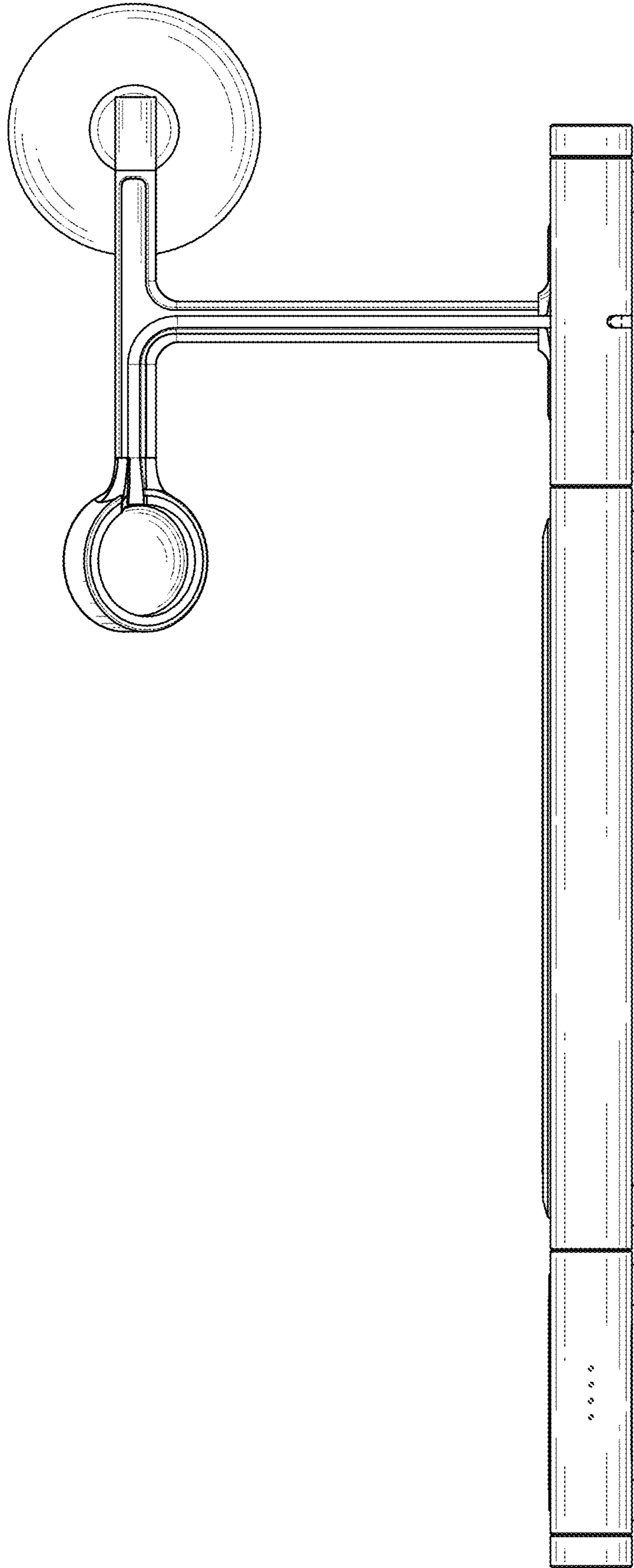


FIG. 4

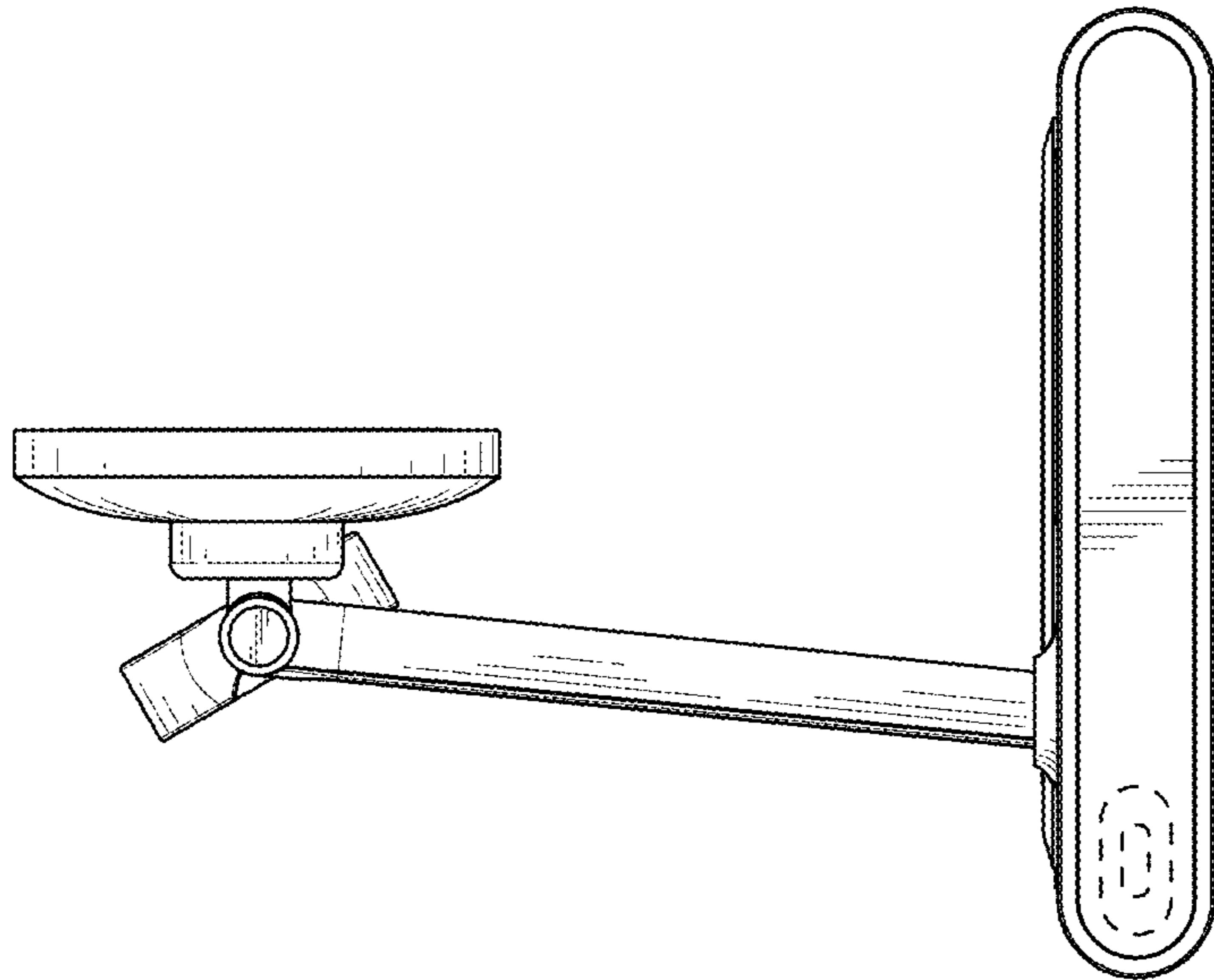


FIG. 5

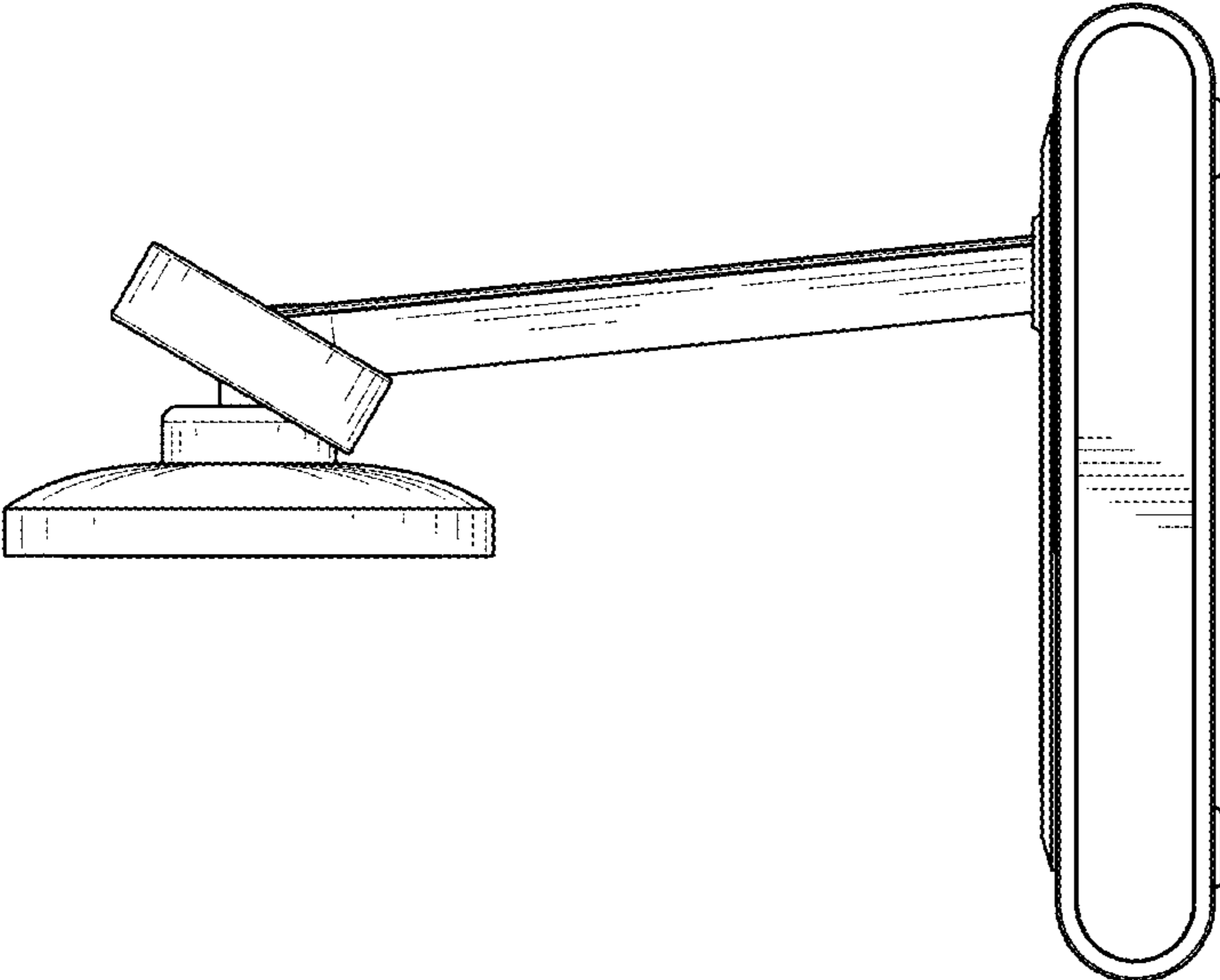


FIG. 6

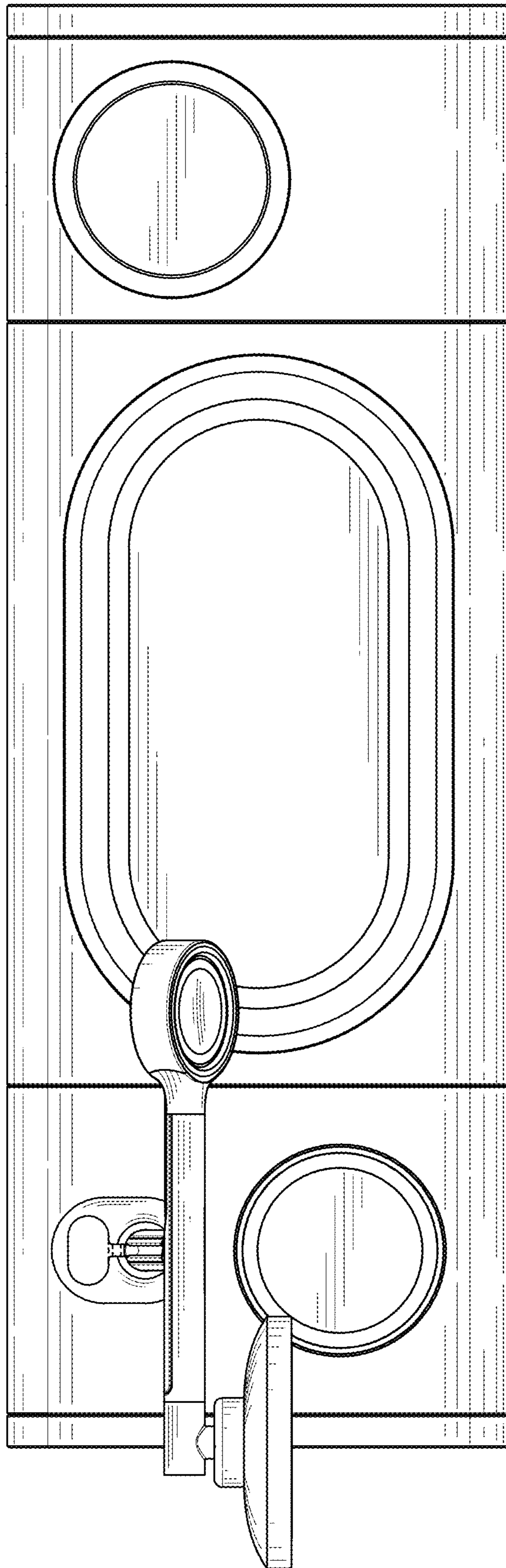


FIG. 7

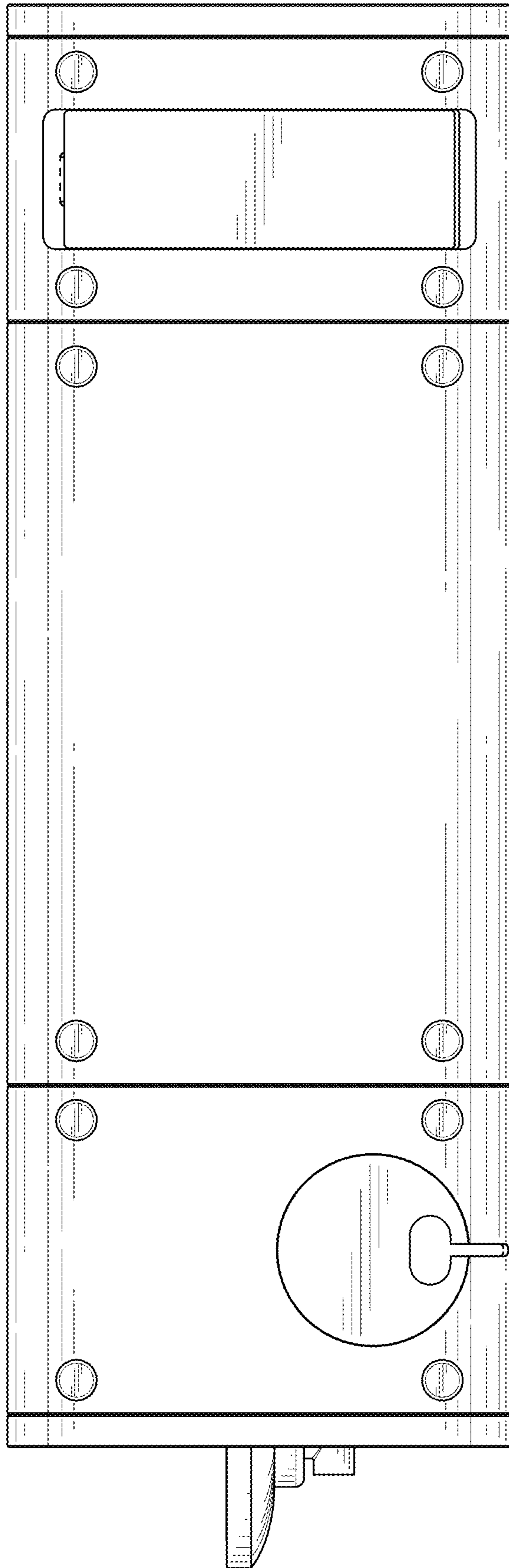


FIG. 8