



US00D983137S

(12) **United States Design Patent**
Kim et al.

(10) **Patent No.:** **US D983,137 S**
(45) **Date of Patent:** **** Apr. 11, 2023**

(54) **CABLE CONNECTOR FOR AN ELECTRONIC DEVICE**

(71) Applicant: **Google LLC**, Mountain View, CA (US)

(72) Inventors: **Moonchul Kim**, Santa Clara, CA (US);
Sung Bai, San Jose, CA (US); **Maj Isabelle Olsson**, Sunnyvale, CA (US)

(73) Assignee: **GOOGLE LLC**, Mountain View, CA (US)

(**) Term: **15 Years**

(21) Appl. No.: **29/799,854**

(22) Filed: **Jul. 16, 2021**

(51) **LOC (14) Cl.** **13-02**

(52) **U.S. Cl.**
USPC **D13/108; D14/433**

(58) **Field of Classification Search**
USPC D13/154, 146, 147, 123, 133,
D13/137.1–139.8, 110, 159, 184, 199,
D13/112, 101, 113–116, 122, 152, 156,
D13/153, 108; D8/354, 356; D14/433,
D14/435.1, 358
CPC .. H01R 13/6392; H01R 33/955; H01R 13/70;
G06F 1/266
See application file for complete search history.

(56) **References Cited**

U.S. PATENT DOCUMENTS

D467,545 S	*	12/2002	Wang	D13/138.1
RE42,303 E	*	4/2011	Norin	D13/133
D673,110 S	*	12/2012	Sasada	D13/108
D704,634 S	*	5/2014	Eidelman	D13/108
D725,034 S	*	3/2015	Chen	D13/108
D782,485 S	*	3/2017	Cai	D14/433
D798,807 S	*	10/2017	Shi	D13/108
D805,480 S		12/2017	Germe et al.		
D806,644 S		1/2018	Mittleman et al.		

(Continued)

OTHER PUBLICATIONS

Google Nest Power Cord, Date First Available: Aug. 3, 2021, [online], [retrieved on Nov. 16, 2022]. Retrieved from Internet, <URL: https://www.amazon.com/Google-Nest-Power-Cord-Original/dp/B09BTGYR3N/ref=sr_1_3?crd=2UFYIUP3PQ2TV&keywords=Google+Nest+Power+Cord&qid=1668613851&sprefix=google+nest+power+cord%2Caps%2C107&sr=8-3>.*

Primary Examiner — Bridget L Eland

(74) *Attorney, Agent, or Firm* — Leason Ellis LLP

(57) **CLAIM**

The ornamental design for a cable connector for an electronic device, as shown and described.

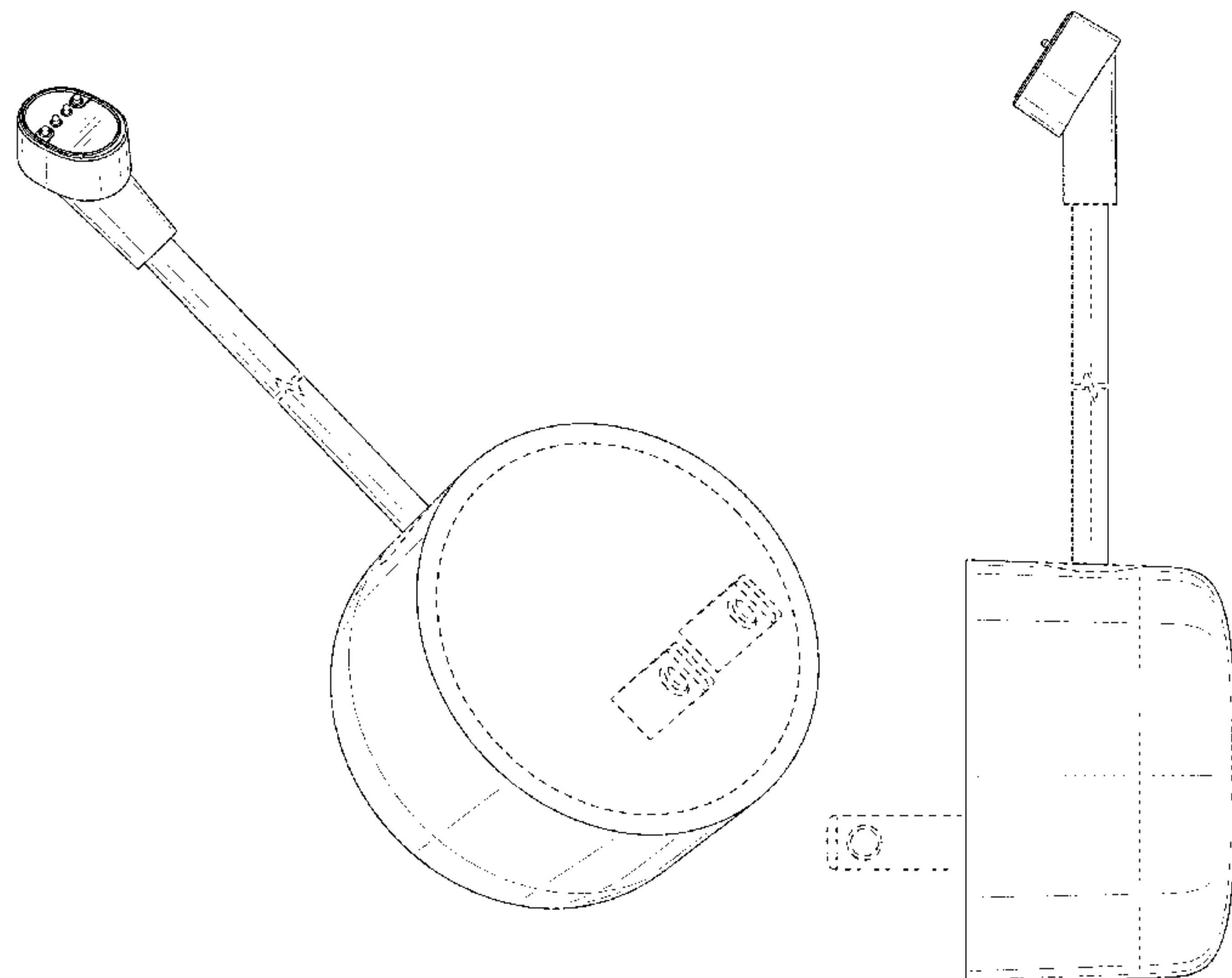
DESCRIPTION

FIG. 1 is a front, left side perspective view of a first embodiment of a cable connector for an electronic device showing our new design;
FIG. 2 is a front view thereof;
FIG. 3 is a back view thereof;
FIG. 4 is a left side view thereof;
FIG. 5 is a right side view thereof;
FIG. 6 is a top view thereof;
FIG. 7 is a bottom view thereof;
FIG. 8 is a front, left side perspective view of a second embodiment of a cable connector for an electronic device showing our new design;
FIG. 9 is a front view thereof;
FIG. 10 is a back view thereof;
FIG. 11 is a left side view thereof;
FIG. 12 is a right side view thereof;
FIG. 13 is a top view thereof; and,
FIG. 14 is a bottom view thereof.

The broken lines in the drawings are directed to environment and form no part of the claimed design.

The broken line break lines in the drawings indicate that the appearance of any portion of the cable connector for an electronic device between the broken line break lines forms no part of the claimed design.

1 Claim, 12 Drawing Sheets



(56)

References Cited

U.S. PATENT DOCUMENTS

9,882,305	B1	1/2018	Goulden et al.	
D815,096	S *	4/2018	Ebrahimi Afrouzi	D14/433
D831,565	S	10/2018	Mittleman et al.	
D831,595	S	10/2018	Mittleman et al.	
D838,274	S	1/2019	Mittleman et al.	
D838,304	S	1/2019	Mittleman et al.	
D845,373	S	4/2019	Mittleman et al.	
D846,500	S *	4/2019	Xu	D13/137.4
10,250,783	B2	4/2019	Germe et al.	
D850,372	S *	6/2019	Kong	D13/108
D851,090	S *	6/2019	Tak	D14/433
10,416,537	B2	9/2019	Goulden et al.	
10,467,408	B1	11/2019	Siev et al.	
D875,732	S *	2/2020	Tak	D14/433
D892,121	S *	8/2020	Tak	D14/433
10,761,408	B2	9/2020	Goulden et al.	
D908,620	S *	1/2021	Akana	D13/108
10,887,494	B2	1/2021	Germe et al.	
D917,390	S *	4/2021	Tung	D13/108
D928,704	S *	8/2021	Ebrahimi Afrouzi	D13/110
D934,295	S *	10/2021	Olsson	D14/496
D935,402	S *	11/2021	Qiu	D13/108
D946,052	S *	3/2022	Olsson	D14/496

* cited by examiner

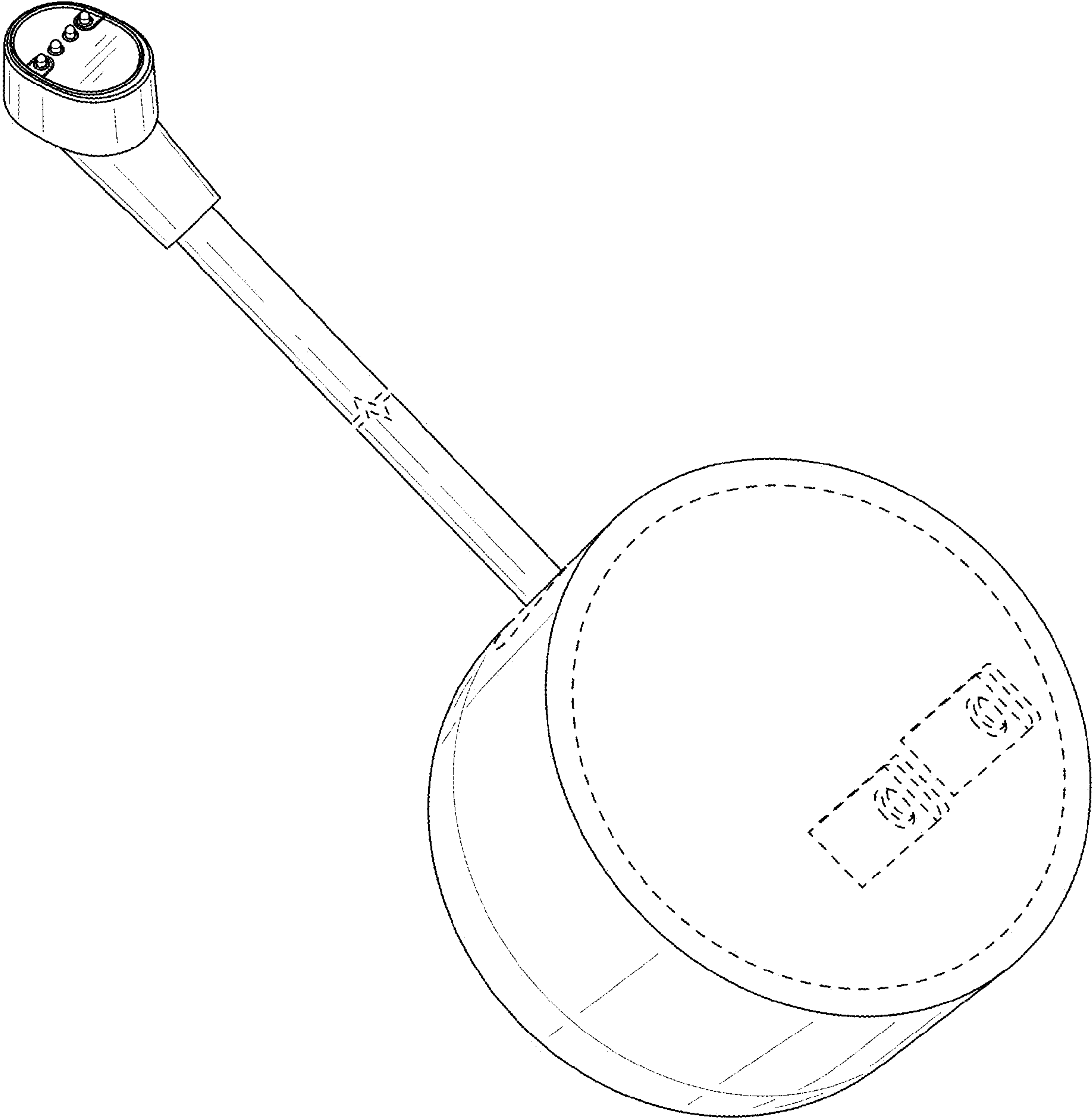


FIG. 1

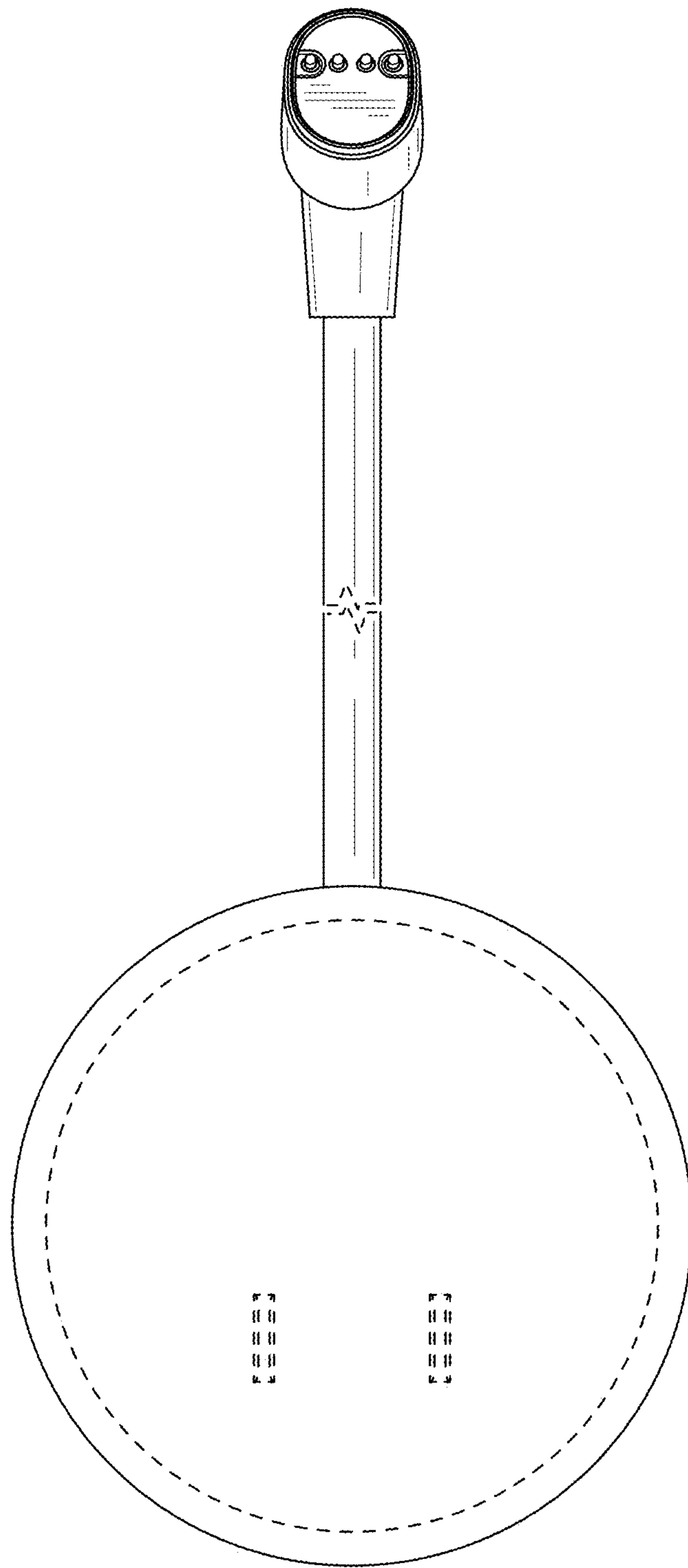


FIG. 2

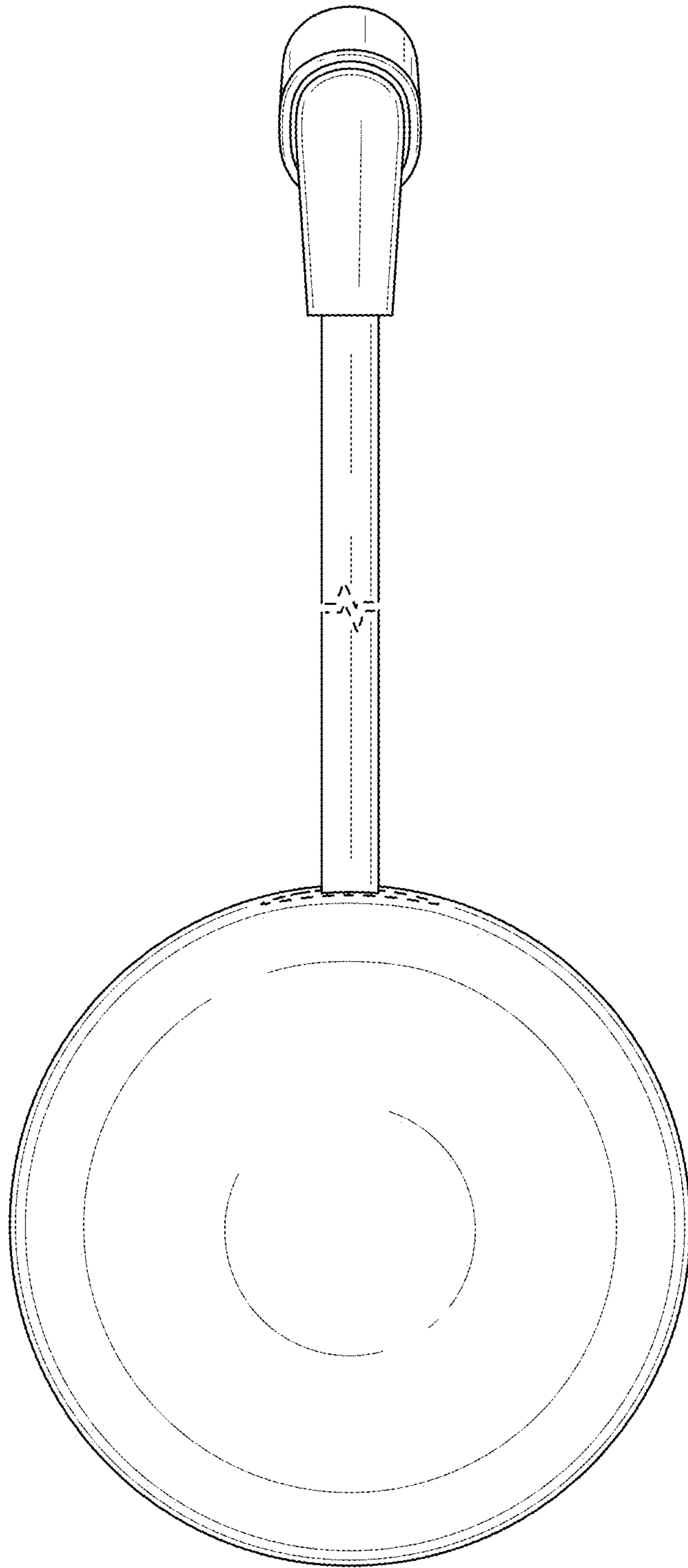


FIG. 3

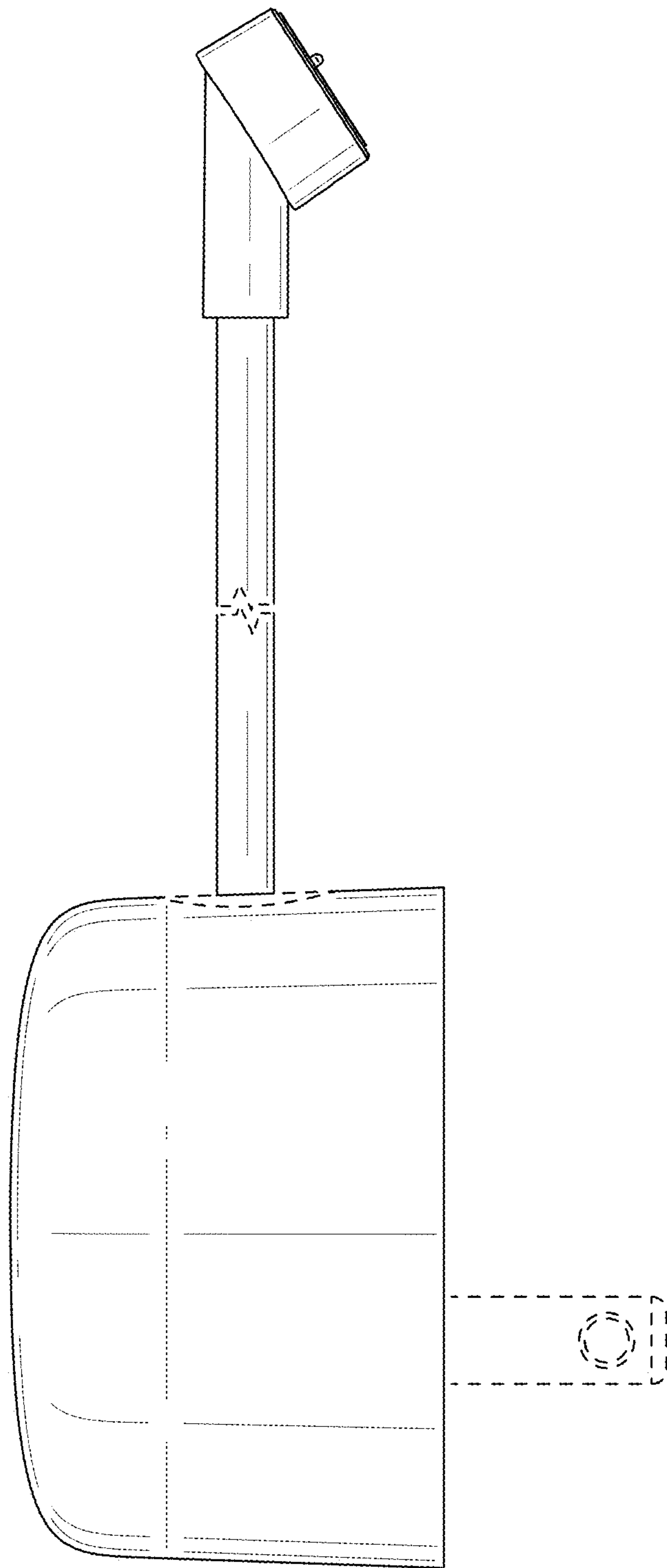


FIG. 4

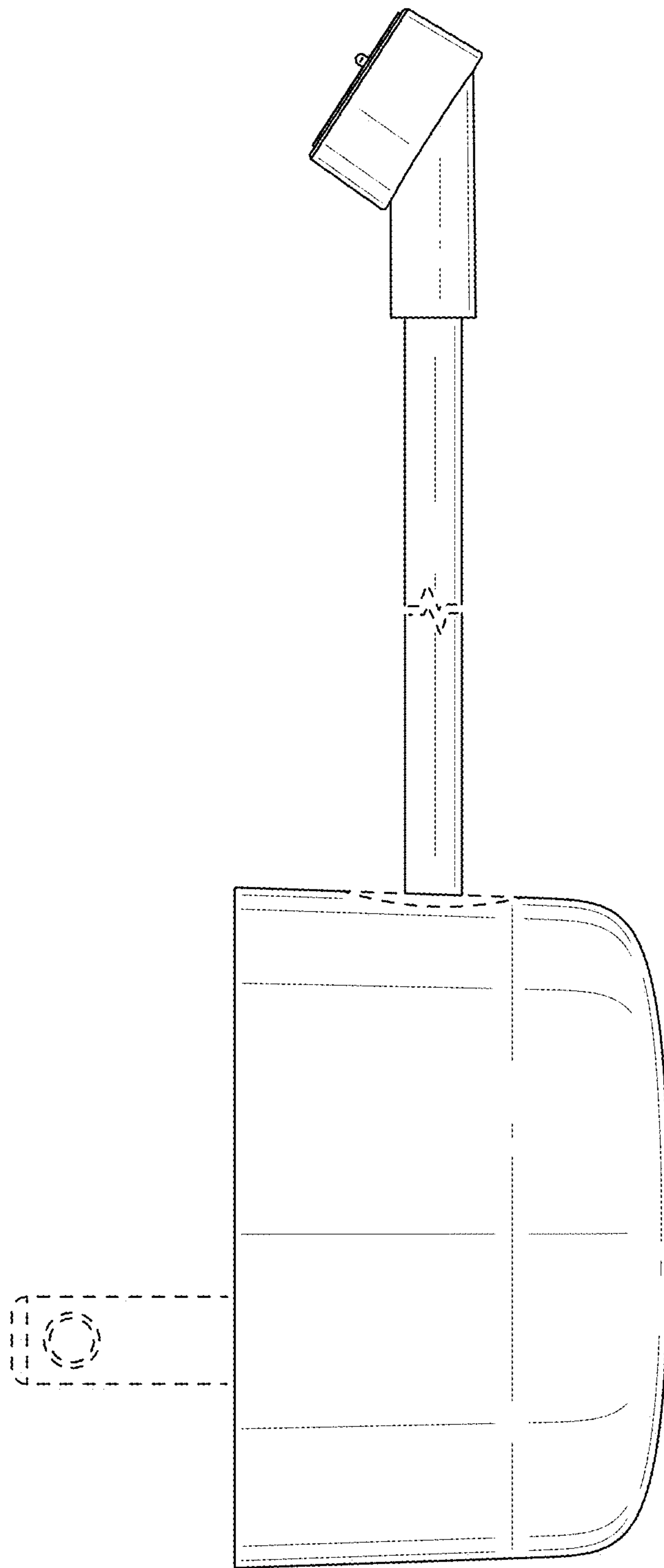


FIG. 5

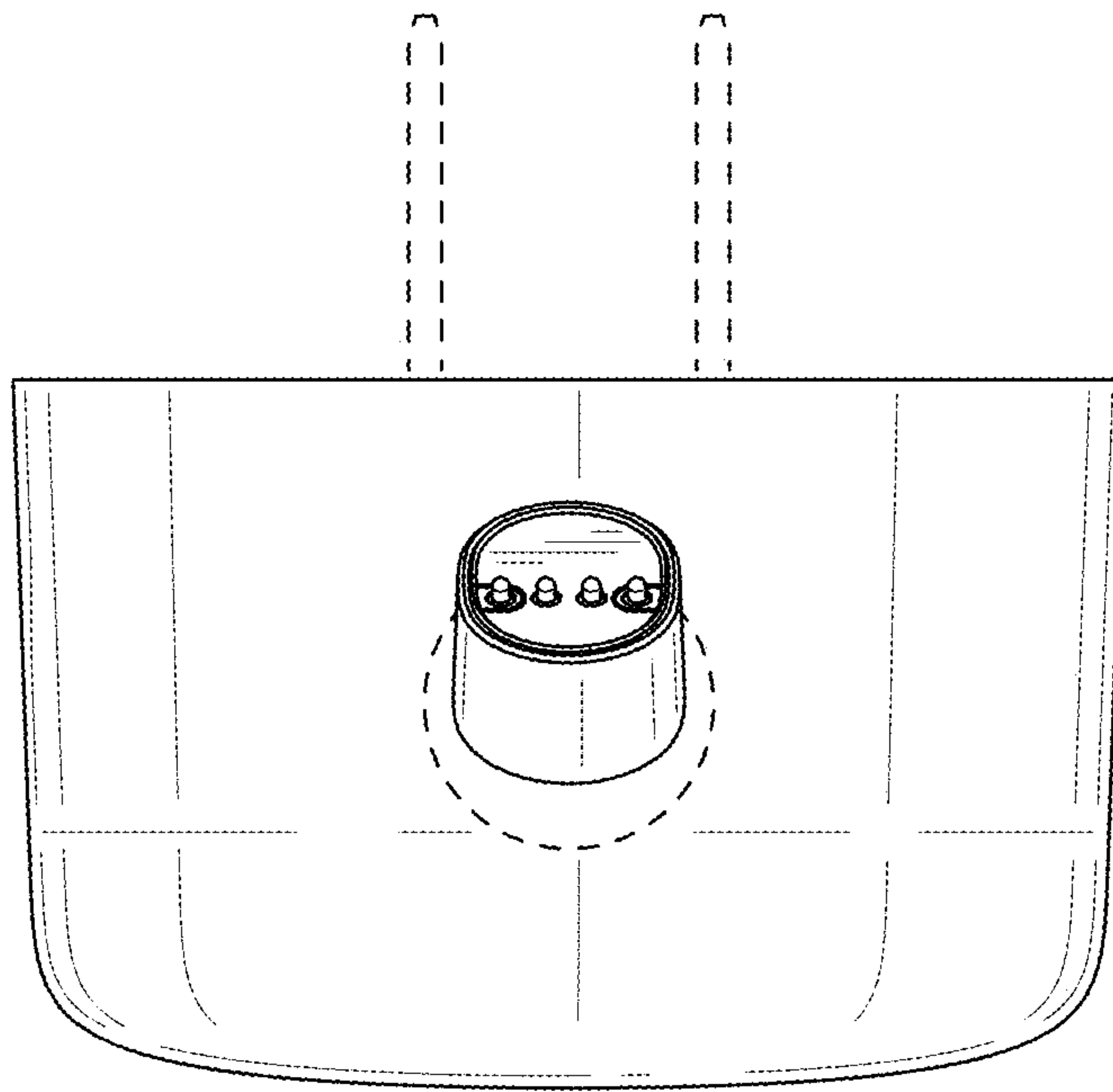


FIG. 6

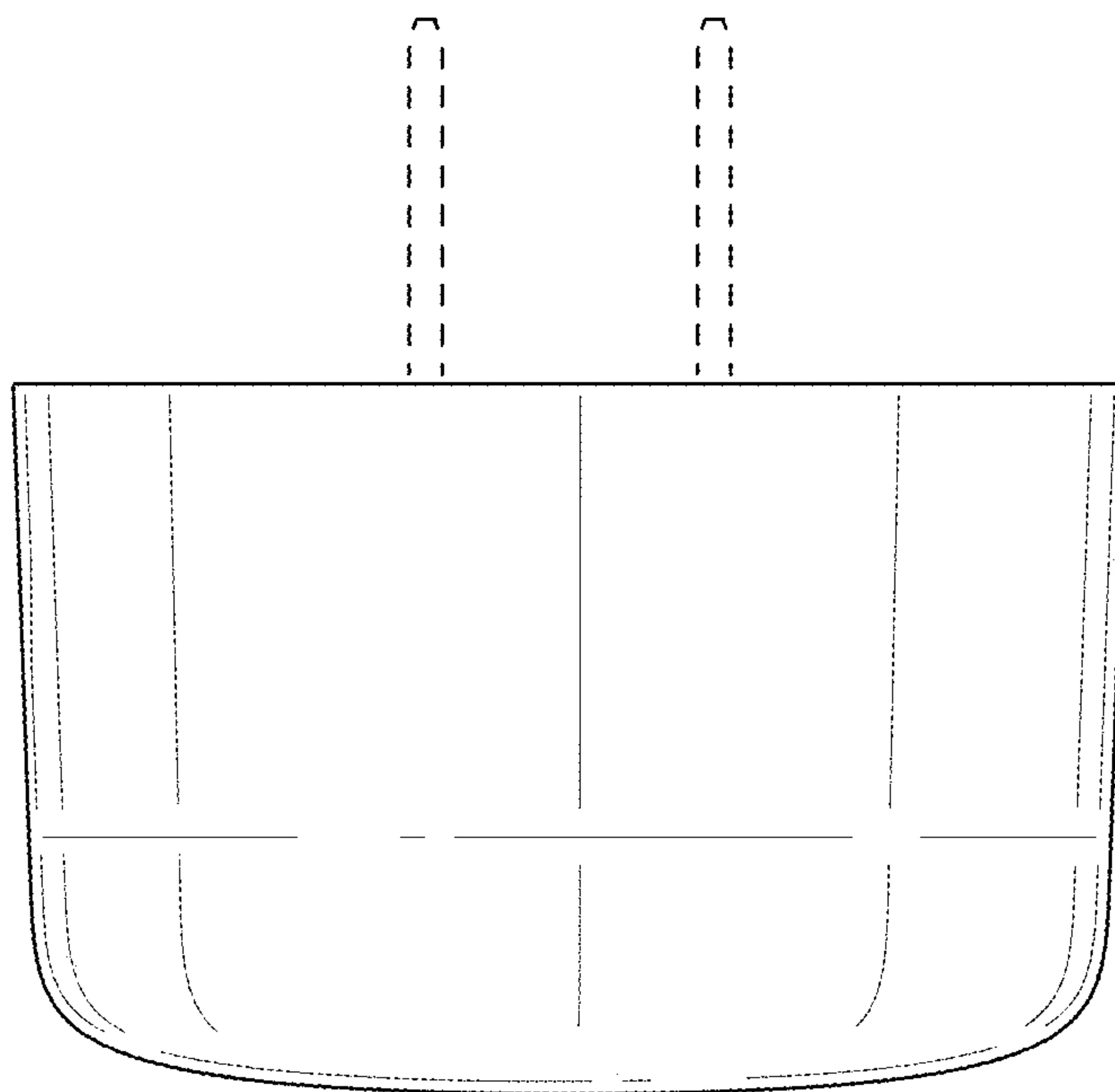


FIG. 7

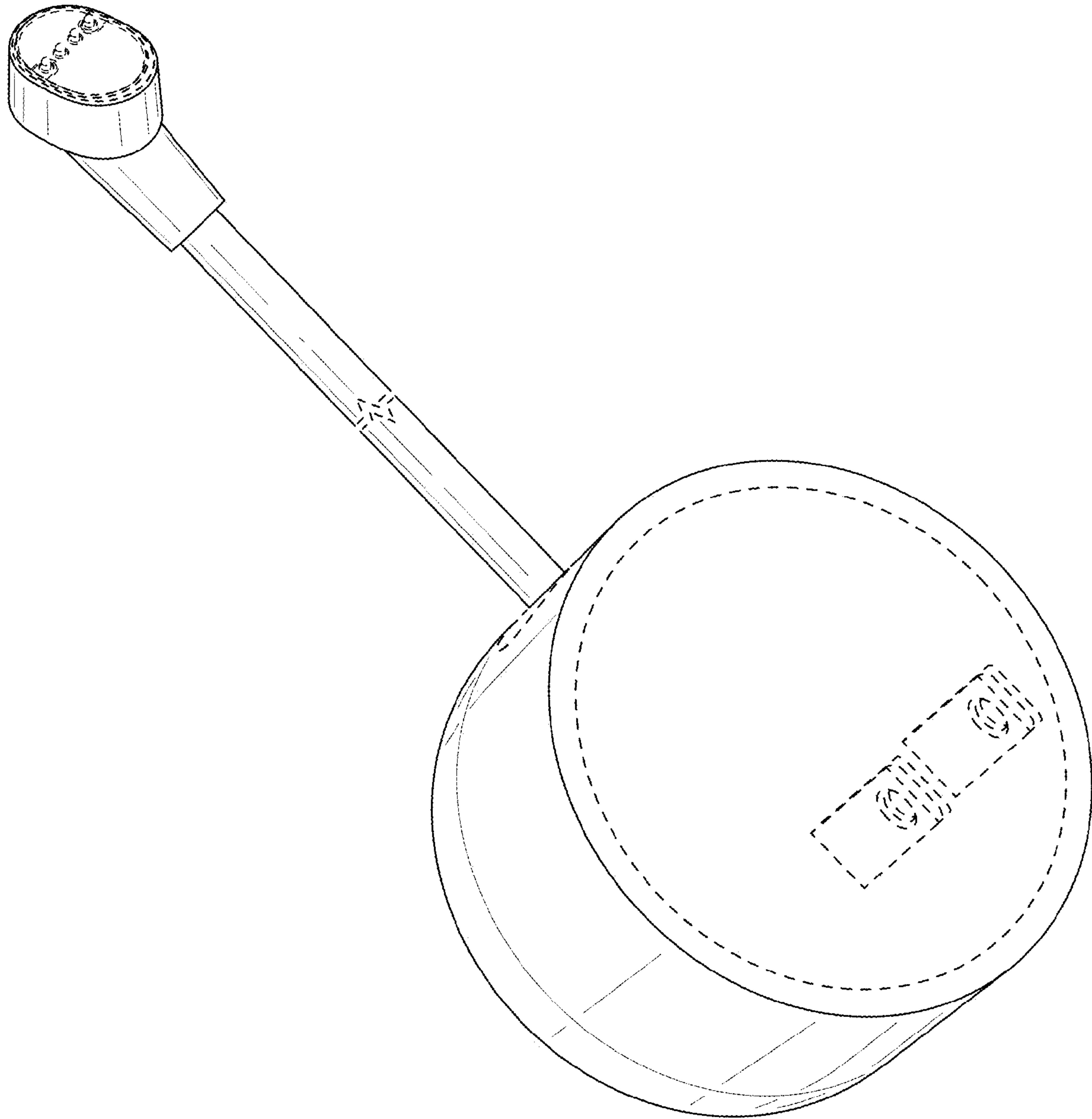


FIG. 8

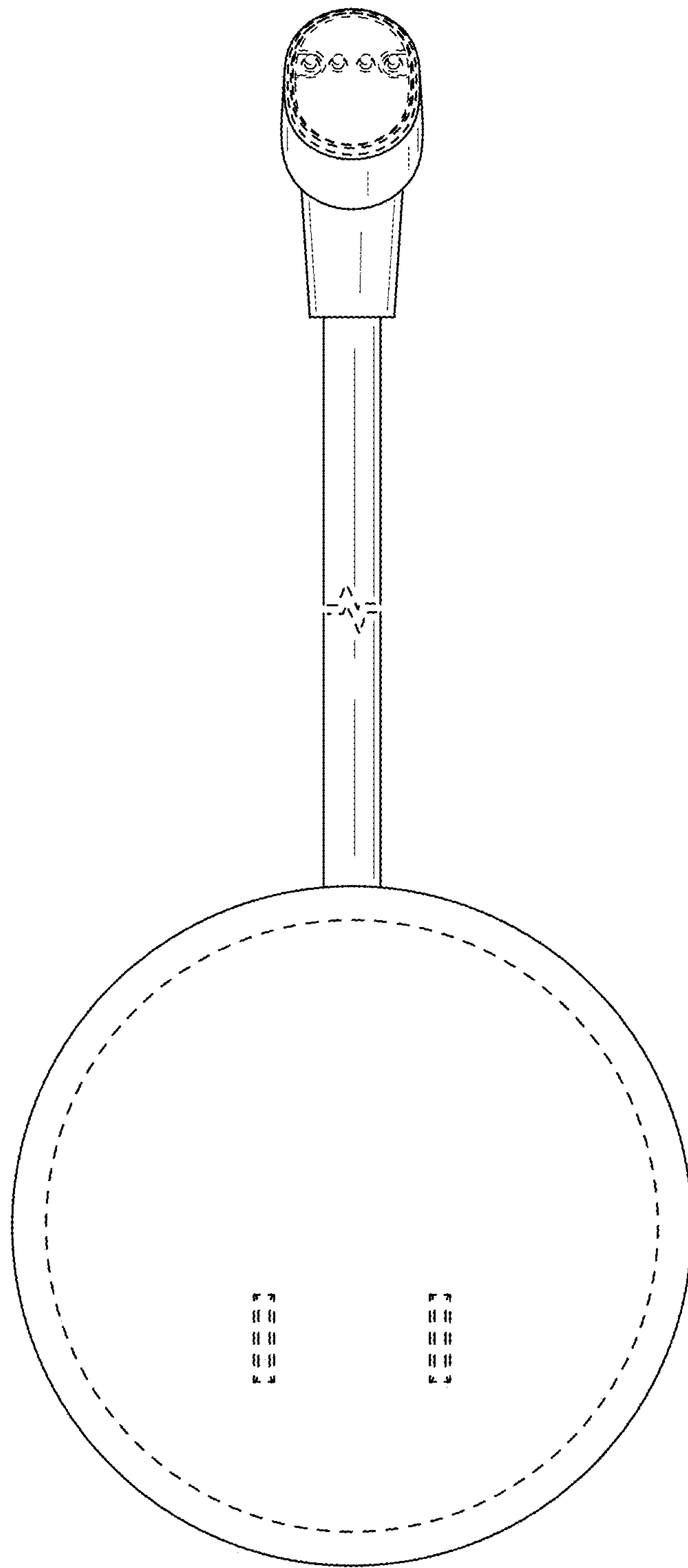


FIG. 9

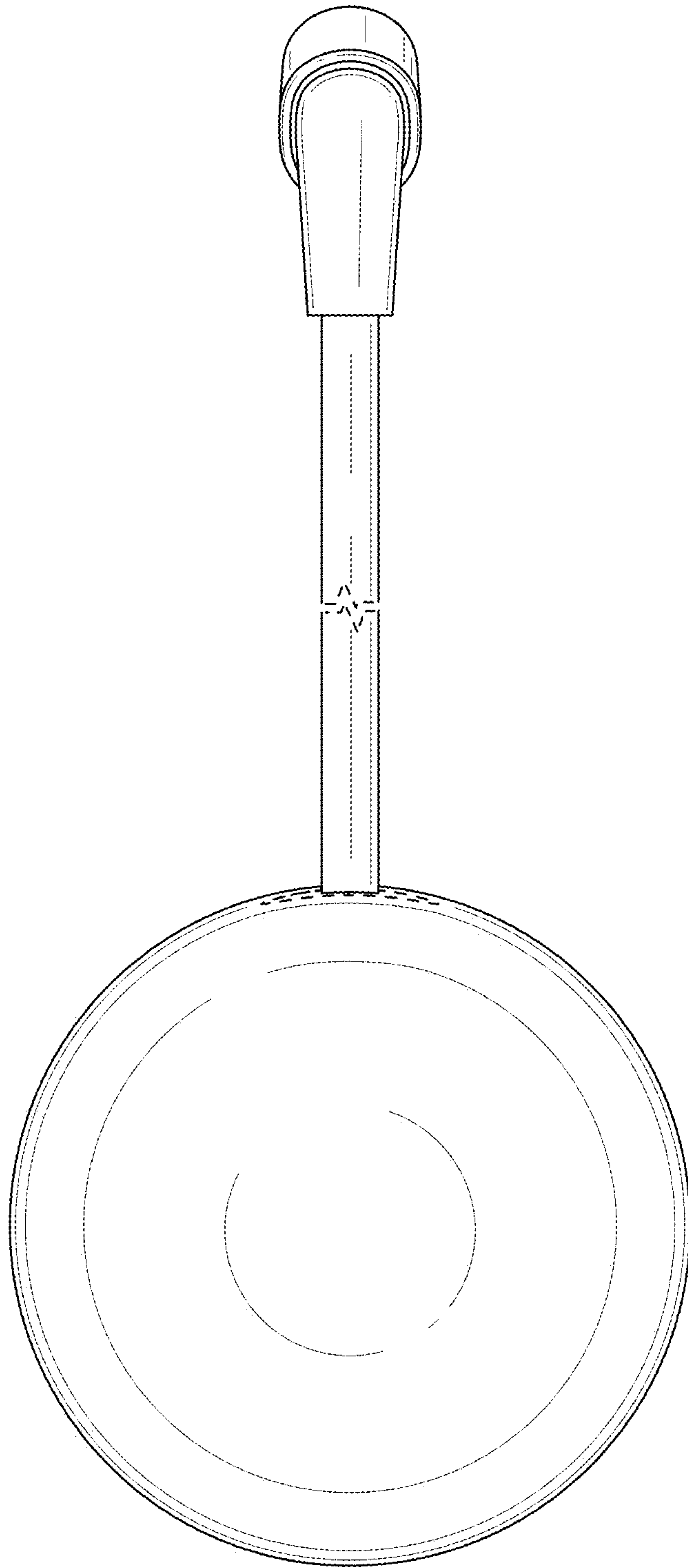


FIG. 10

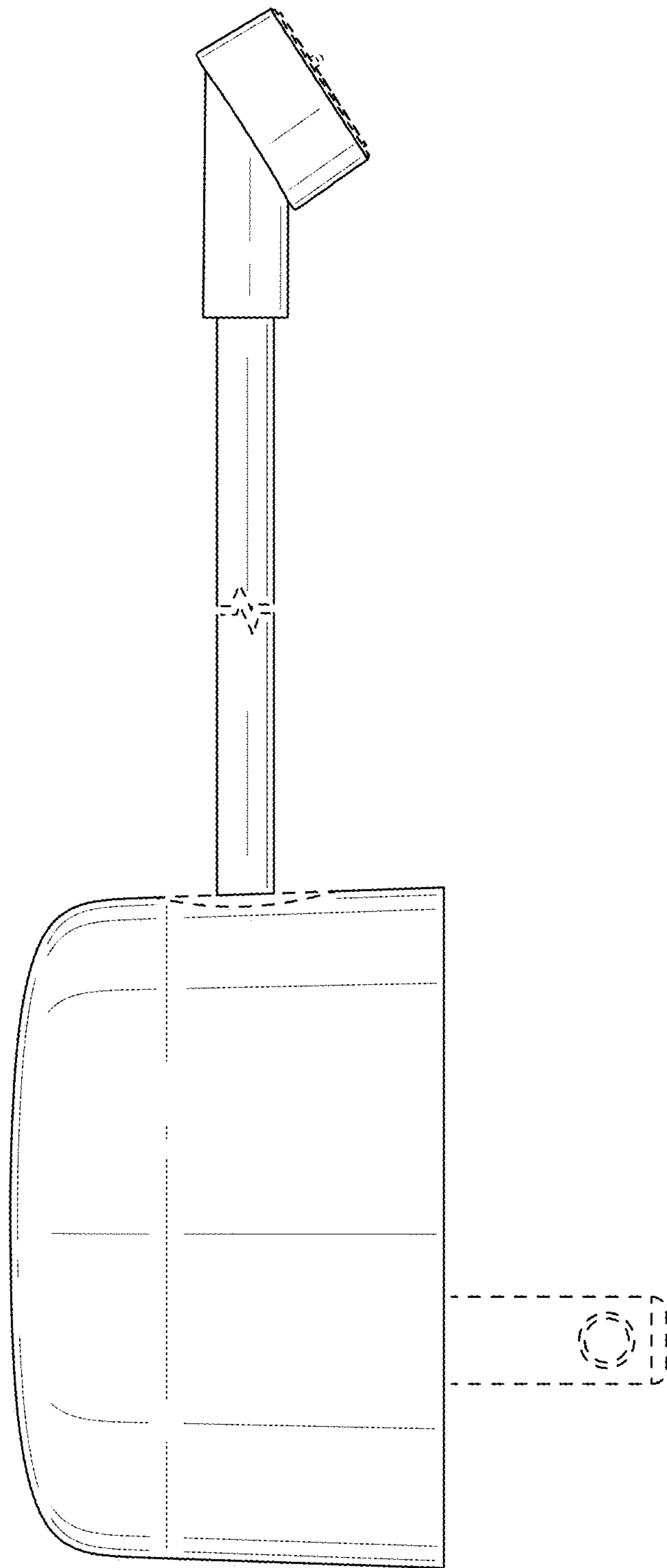


FIG. 11

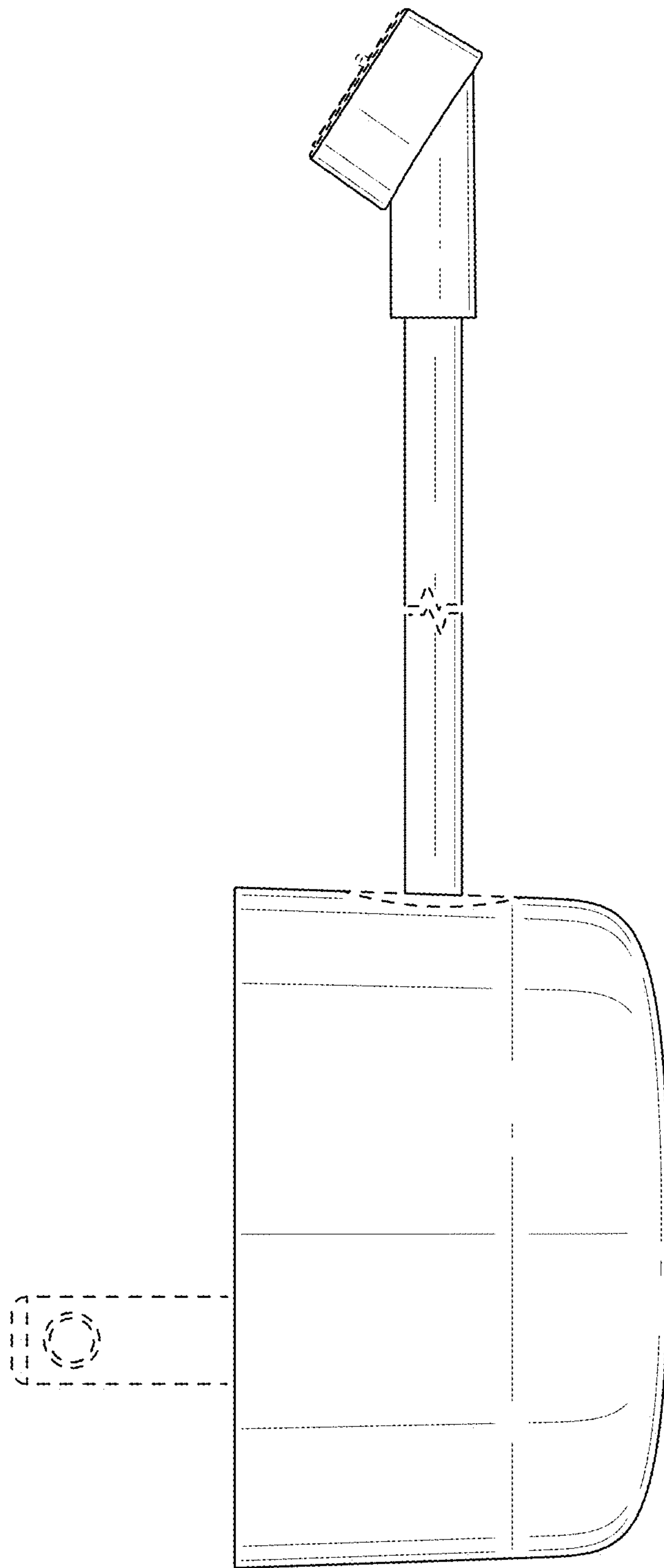


FIG. 12

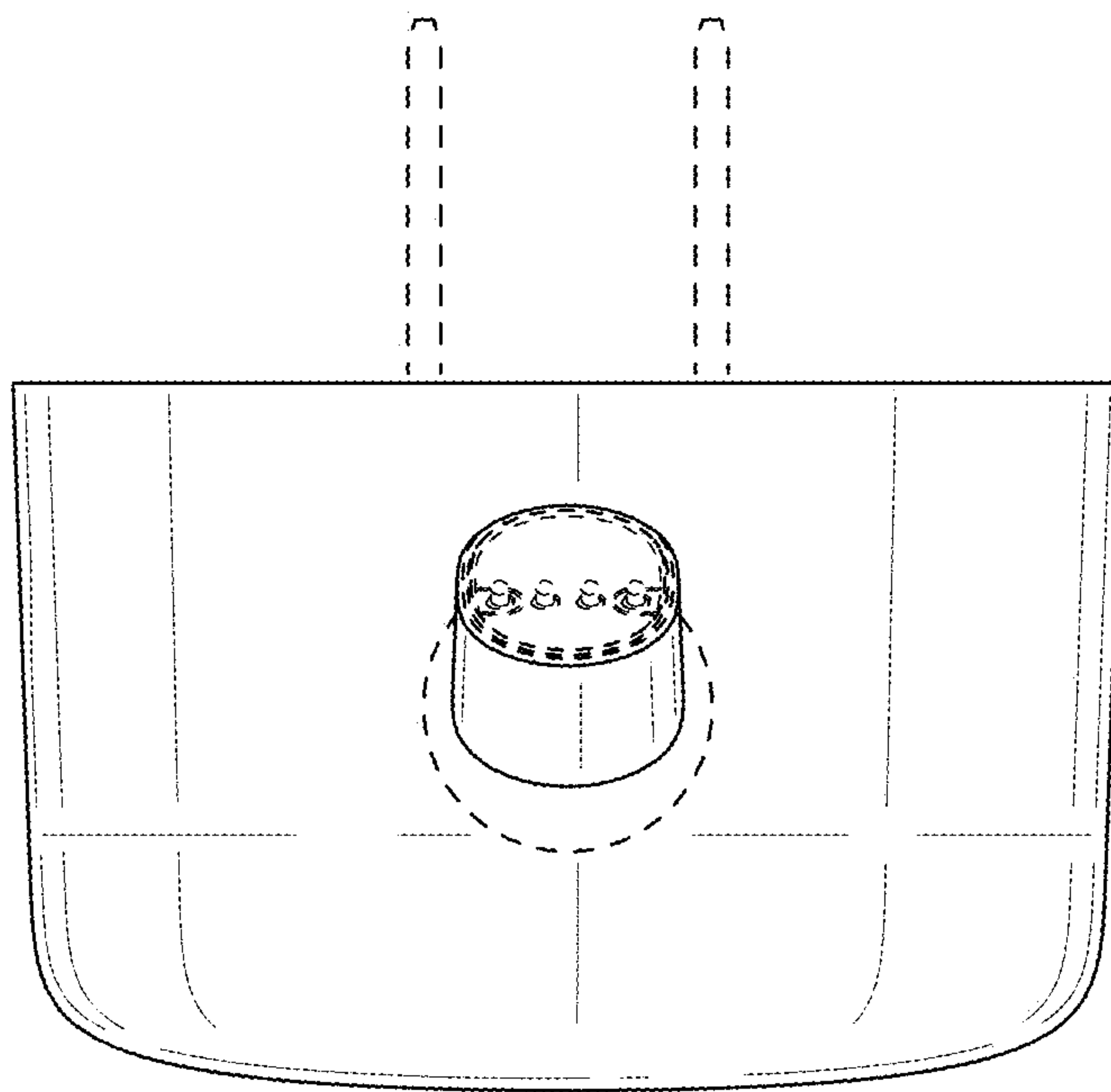


FIG. 13

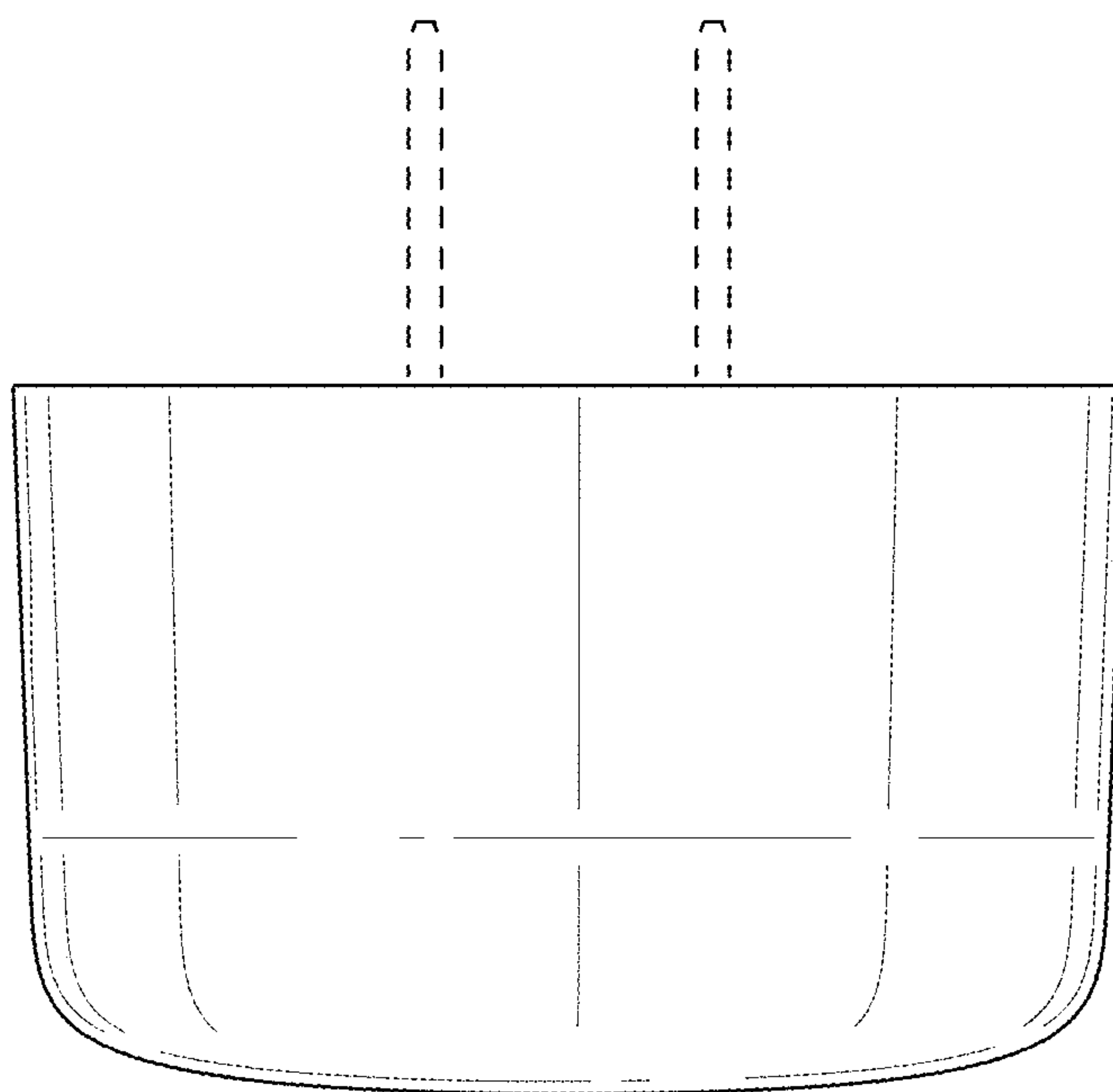


FIG. 14