



US00D983134S

(12) **United States Design Patent**
Tang

(10) **Patent No.:** **US D983,134 S**

(45) **Date of Patent:** **** Apr. 11, 2023**

(54) **BATTERY CHARGER**

(71) Applicant: **Li Tang**, Yongzhou (CN)

(72) Inventor: **Li Tang**, Yongzhou (CN)

(**) Term: **15 Years**

(21) Appl. No.: **29/863,545**

(22) Filed: **Dec. 20, 2022**

(51) **LOC (14) Cl.** **13-02**

(52) **U.S. Cl.**
USPC **D13/107**

(58) **Field of Classification Search**

USPC D13/102–108, 110, 118, 119, 184, 199,
D13/138.1–138.2, 137.1–137.4, 153–155
CPC H01M 10/0413; H01M 10/0445; H01M
10/0436; H01M 10/05; H01M 10/052;
H01M 50/103; H01M 50/20; H01M
50/204; H01M 50/209; H01M 50/258;
H01M 8/24; H01M 8/2404; H01M 8/249;
H01M 10/44; H01M 10/46; H02J 7/0021;
H02J 7/0026; H02J 7/0044; H02J 7/0045;
H02J 7/0054; H02J 7/02; H02J 7/0027;
H02J 50/80; H05K 5/00; H05K 5/0018;
H02G 3/10; B60L 53/00; B60L 53/10;
B60L 53/12; B60L 53/14; B60L 53/16;
B60L 53/18; B60L 53/31; B60L 53/50
See application file for complete search history.

(56) **References Cited**

U.S. PATENT DOCUMENTS

D484,095 S * 12/2003 Stacey D13/110
D748,574 S * 2/2016 Anderson D13/102
D751,032 S * 3/2016 Anderson D13/102
D783,526 S * 4/2017 Warren D13/108

D810,009 S * 2/2018 Anderson D13/102
D812,553 S * 3/2018 Anderson D13/102
D812,562 S * 3/2018 Warren D13/107
D850,368 S * 6/2019 Paladino D13/108
D854,016 S * 7/2019 Laine D14/433
D862,385 S * 10/2019 Turksu D13/108
D918,828 S * 5/2021 Liu D13/102
D920,906 S * 6/2021 Qiu D13/107
D939,435 S 12/2021 Feng
D942,379 S * 2/2022 Lieblein D13/108
D967,013 S 10/2022 Underhill et al.
D967,761 S * 10/2022 Yu D13/108
D967,765 S * 10/2022 Lieblein D13/108
D973,020 S * 12/2022 Chen D13/108
D978,078 S * 2/2023 Lim D13/110
D978,796 S * 2/2023 Wang D13/110

* cited by examiner

Primary Examiner — Christy Nemeth

(74) *Attorney, Agent, or Firm* — Georgi Korobanov

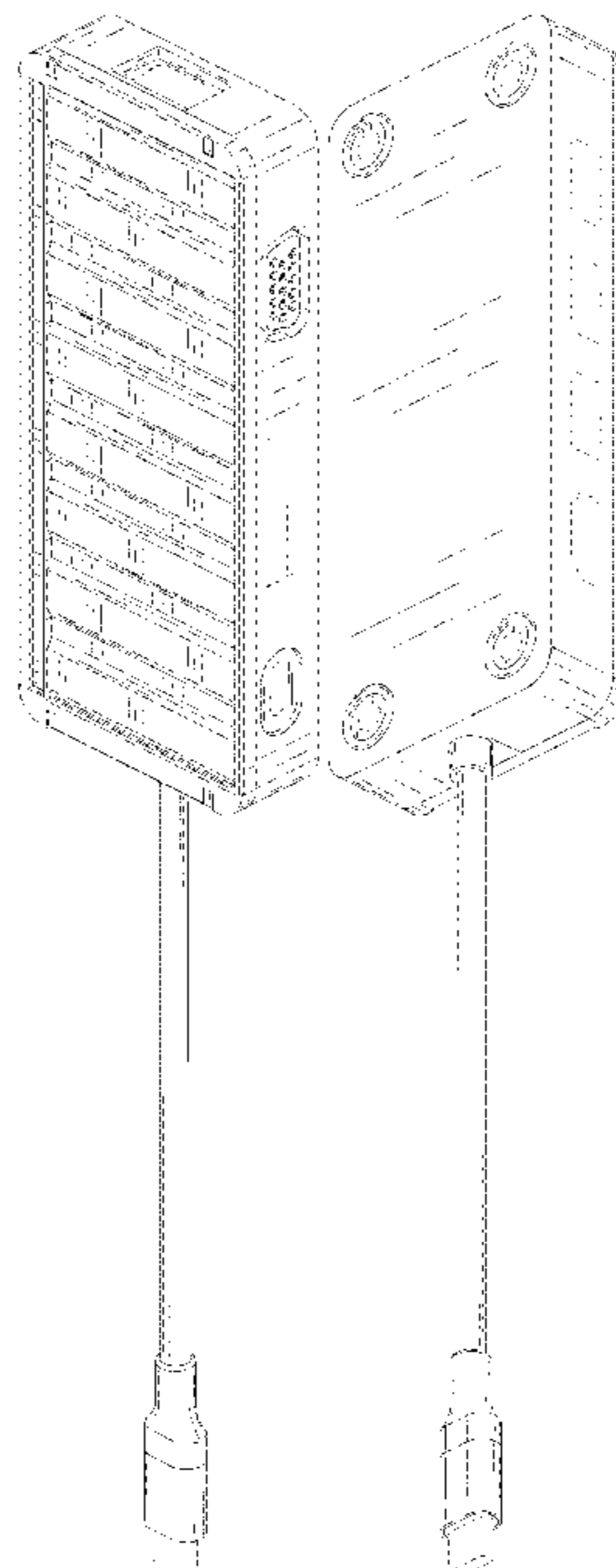
(57) **CLAIM**

The ornamental design for a battery charger, as shown and described.

DESCRIPTION

FIG. 1 is a front, right and top perspective view of a battery charger, showing my new design;
FIG. 2 is a rear, left and bottom perspective view thereof;
FIG. 3 is a front view thereof;
FIG. 4 is a rear view thereof;
FIG. 5 is a left side view thereof;
FIG. 6 is a right side view thereof;
FIG. 7 is an enlarged top plan view thereof; and,
FIG. 8 is an enlarged bottom plan view thereof.
The broken lines shown in the drawings illustrate portions of the battery charger that form no part of the claimed design.

1 Claim, 8 Drawing Sheets



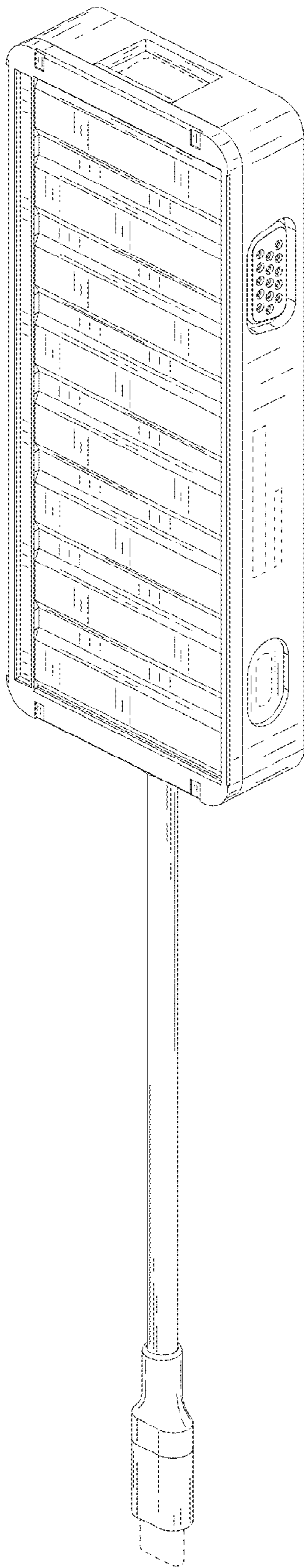


FIG. 1

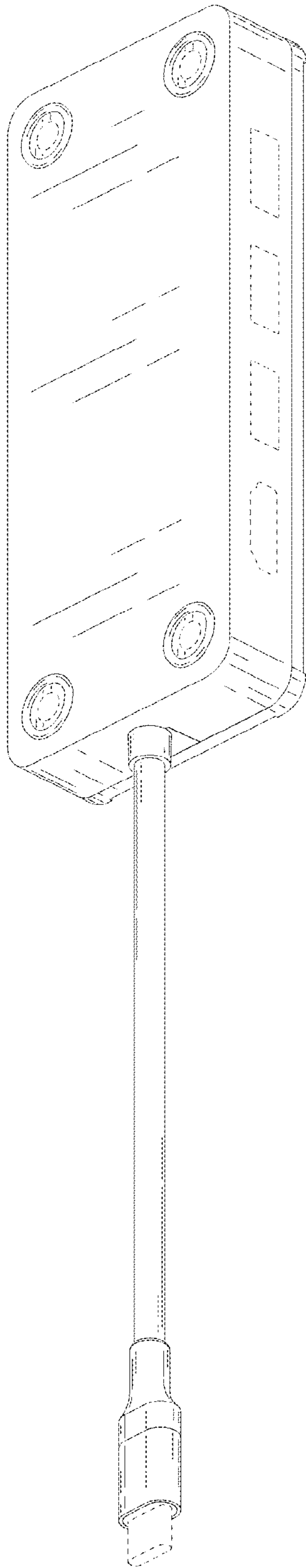


FIG. 2

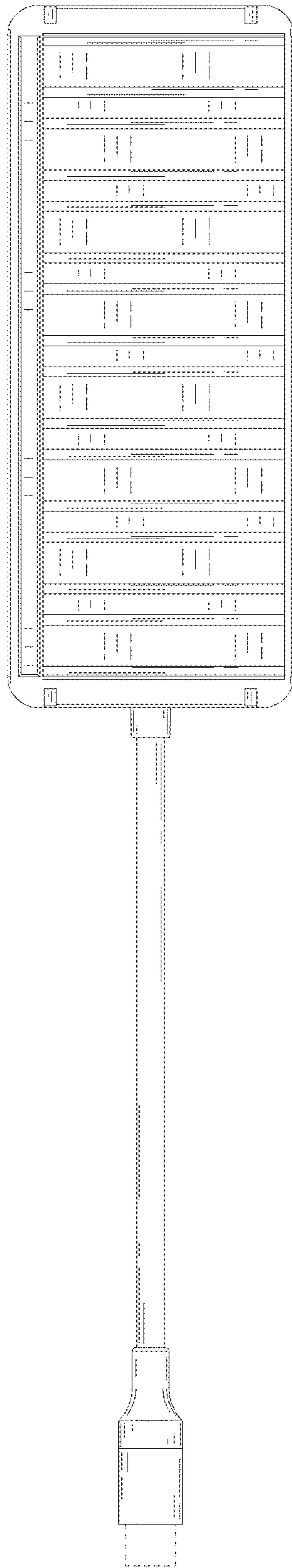


FIG. 3

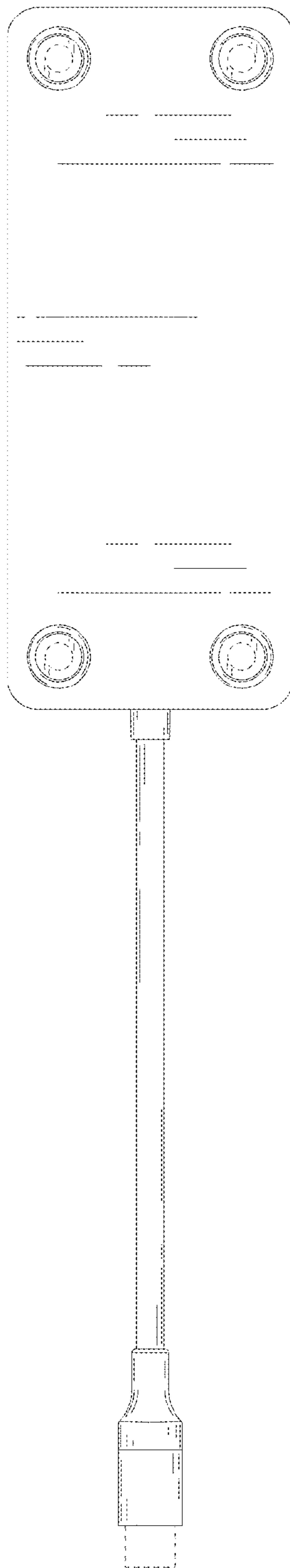


FIG. 4

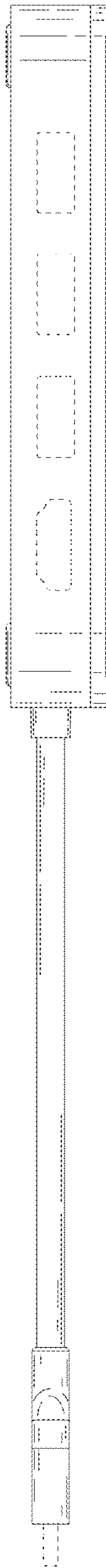


FIG. 5

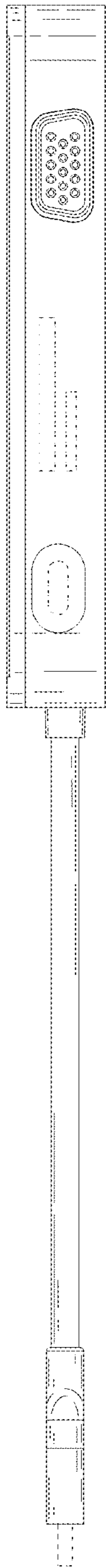


FIG. 6

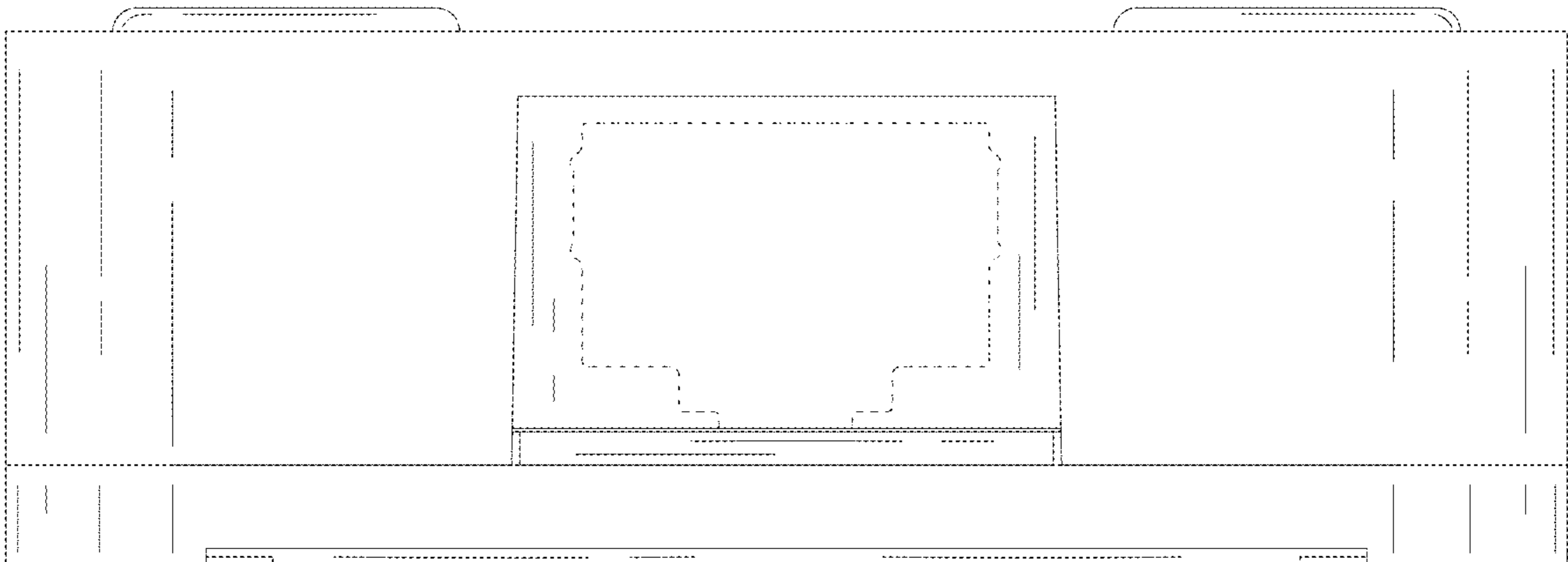


FIG. 7

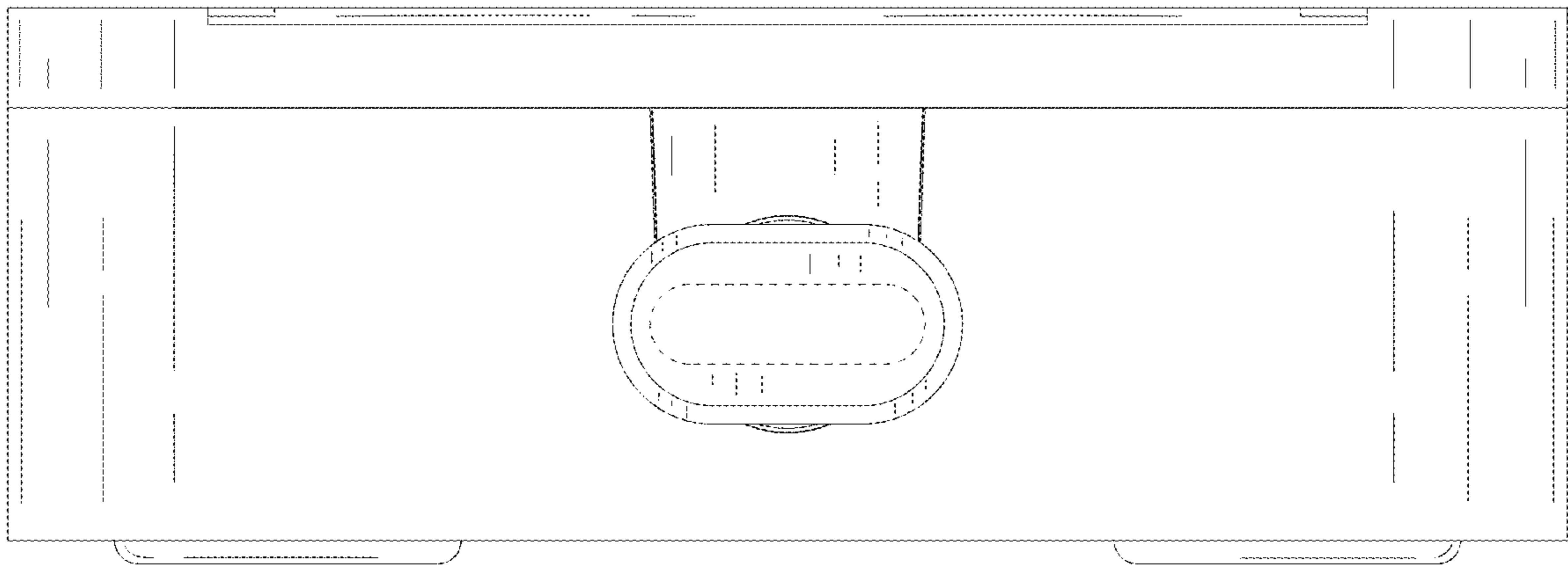


FIG. 8