



US00D983124S

(12) **United States Design Patent**
Arakawa

(10) **Patent No.:** **US D983,124 S**
(45) **Date of Patent:** **** Apr. 11, 2023**

- (54) **TIRE**
- (71) Applicant: **Toyo Tire Corporation**, Itami (JP)
- (72) Inventor: **Koji Arakawa**, Itami (JP)
- (73) Assignee: **Toyo Tire Corporation**, Itami (JP)
- (**) Term: **15 Years**
- (21) Appl. No.: **29/824,327**
- (22) Filed: **Jan. 24, 2022**

D781,774 S *	3/2017	Aoki	D12/517
D797,651 S *	9/2017	Kidesaki	D12/517
D813,794 S *	3/2018	Tanaka	D12/584
D848,351 S *	5/2019	Rittweger	D12/517
D892,027 S *	8/2020	Sakata	D21/523
D892,712 S *	8/2020	Kotlas	D12/517
D894,092 S *	8/2020	Liu	D12/501
D894,107 S *	8/2020	Takahashi	D12/584
D916,648 S *	4/2021	Kunkel	D12/517

Related U.S. Application Data

- (62) Division of application No. 29/741,592, filed on Jul. 14, 2020, now Pat. No. Des. 949,087.

Foreign Application Priority Data

- Jan. 17, 2020 (JP) 2020-000687 D
- Mar. 12, 2020 (JP) 2020-004902 D

(51) **LOC (14) Cl.** **12-15**

(52) **U.S. Cl.**
USPC **D12/517**

(58) **Field of Classification Search**
USPC D12/500-532, 604, 900
CPC Y10T 152/10027; B60C 1/0016; B60C 11/0306; B60C 11/0302; B60C 3/06; B60C 9/17
See application file for complete search history.

(56) **References Cited**

U.S. PATENT DOCUMENTS

D673,109 S *	12/2012	Miyazaki	D12/584
D682,776 S *	5/2013	Miyazaki	D12/585
D750,014 S *	2/2016	Yang	D12/584
D764,391 S *	8/2016	Shen	D12/584

FOREIGN PATENT DOCUMENTS

JP	1425355 S	10/2011
JP	1541338 S	1/2016

* cited by examiner

Primary Examiner — John A Voytek

(74) *Attorney, Agent, or Firm* — Sterne, Kessler, Goldstein & Fox P.L.L.C.

(57) **CLAIM**

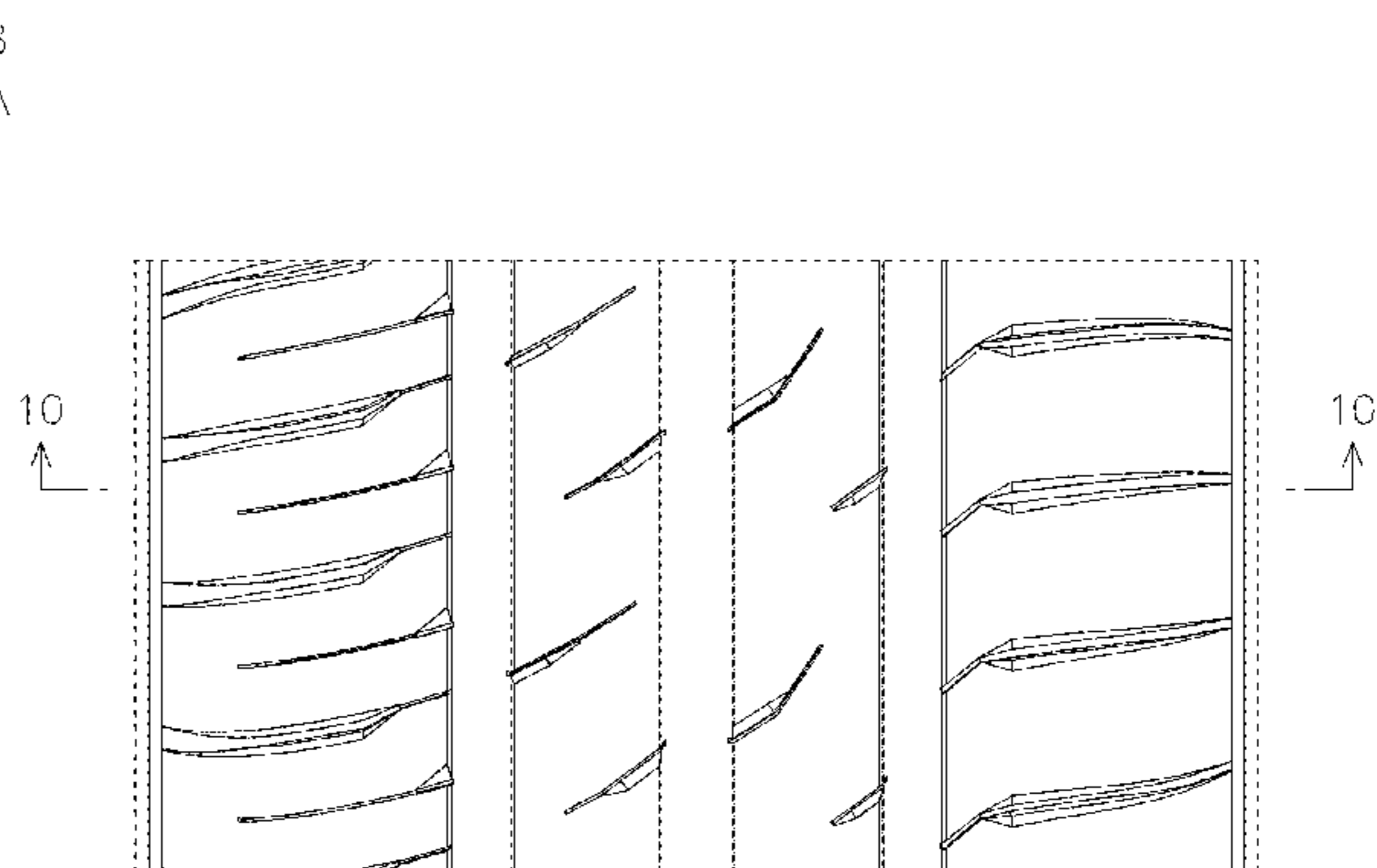
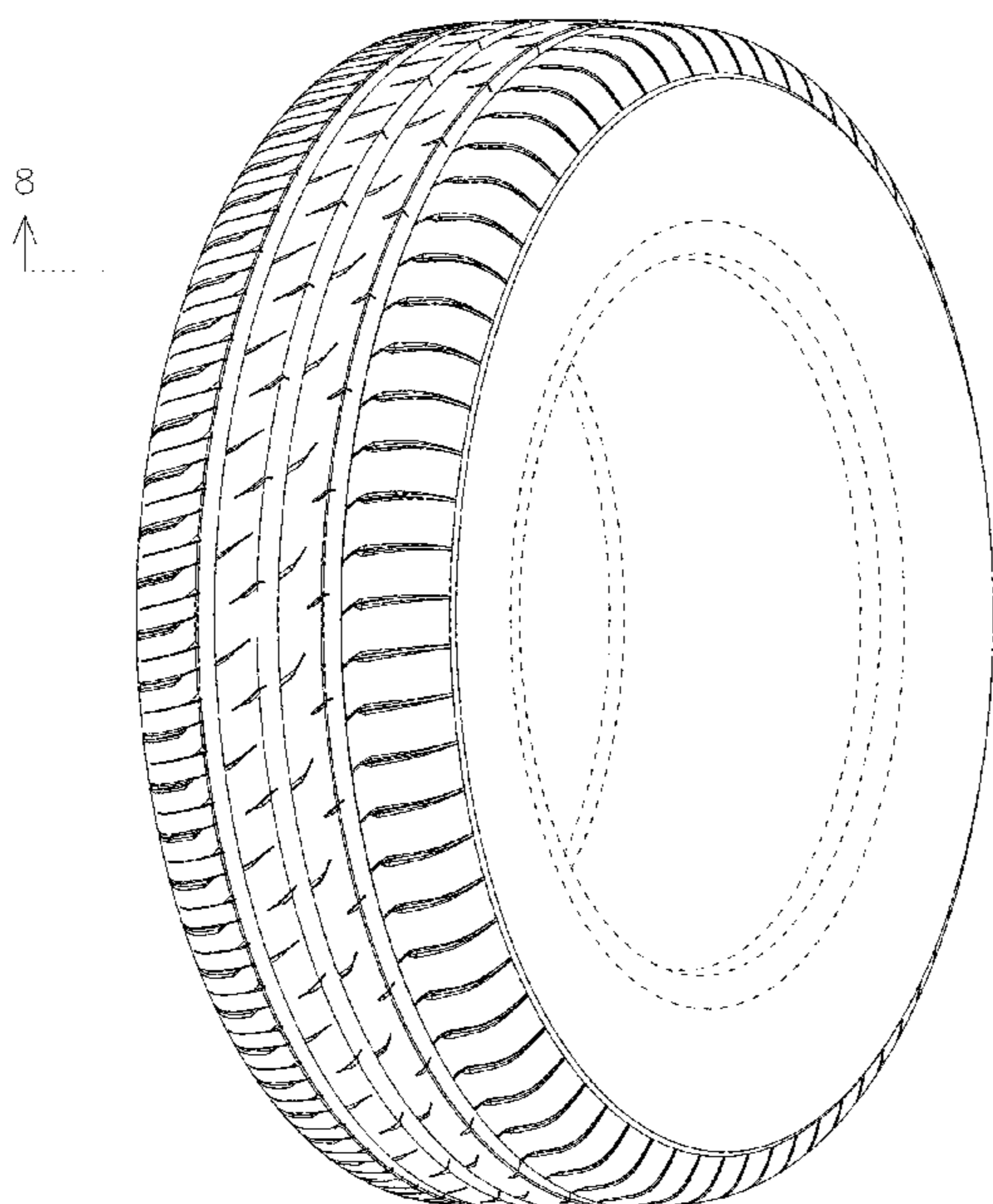
The ornamental design for a tire, as shown and described.

DESCRIPTION

FIG. 1 is a front perspective view of a tire showing the claimed design;
 FIG. 2 is a front view thereof;
 FIG. 3 is a rear view thereof;
 FIG. 4 is a top plan view thereof;
 FIG. 5 is a bottom plan view thereof;
 FIG. 6 is a right side view thereof;
 FIG. 7 is a left side view thereof;
 FIG. 8 is an enlarged view taken along line 8-8 in FIG. 1;
 FIG. 9 is an enlarged view of the portion 9-9 in FIG. 2; and,
 FIG. 10 is a cross-sectional view taken along line 10-10 in FIG. 9.

In the drawings, the broken lines show portions of the tire that form no part of the claimed design.

1 Claim, 10 Drawing Sheets



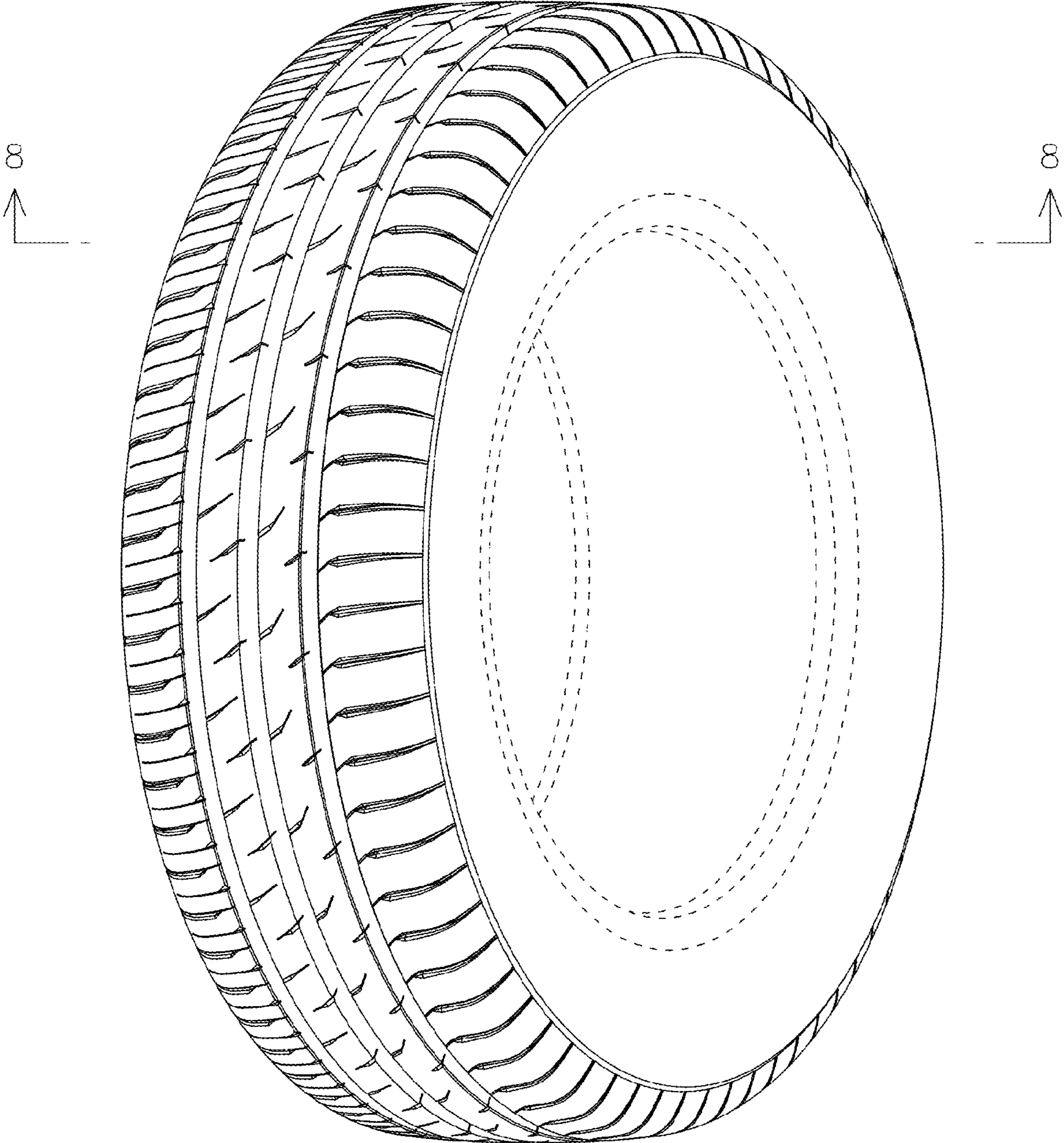


FIG. 1

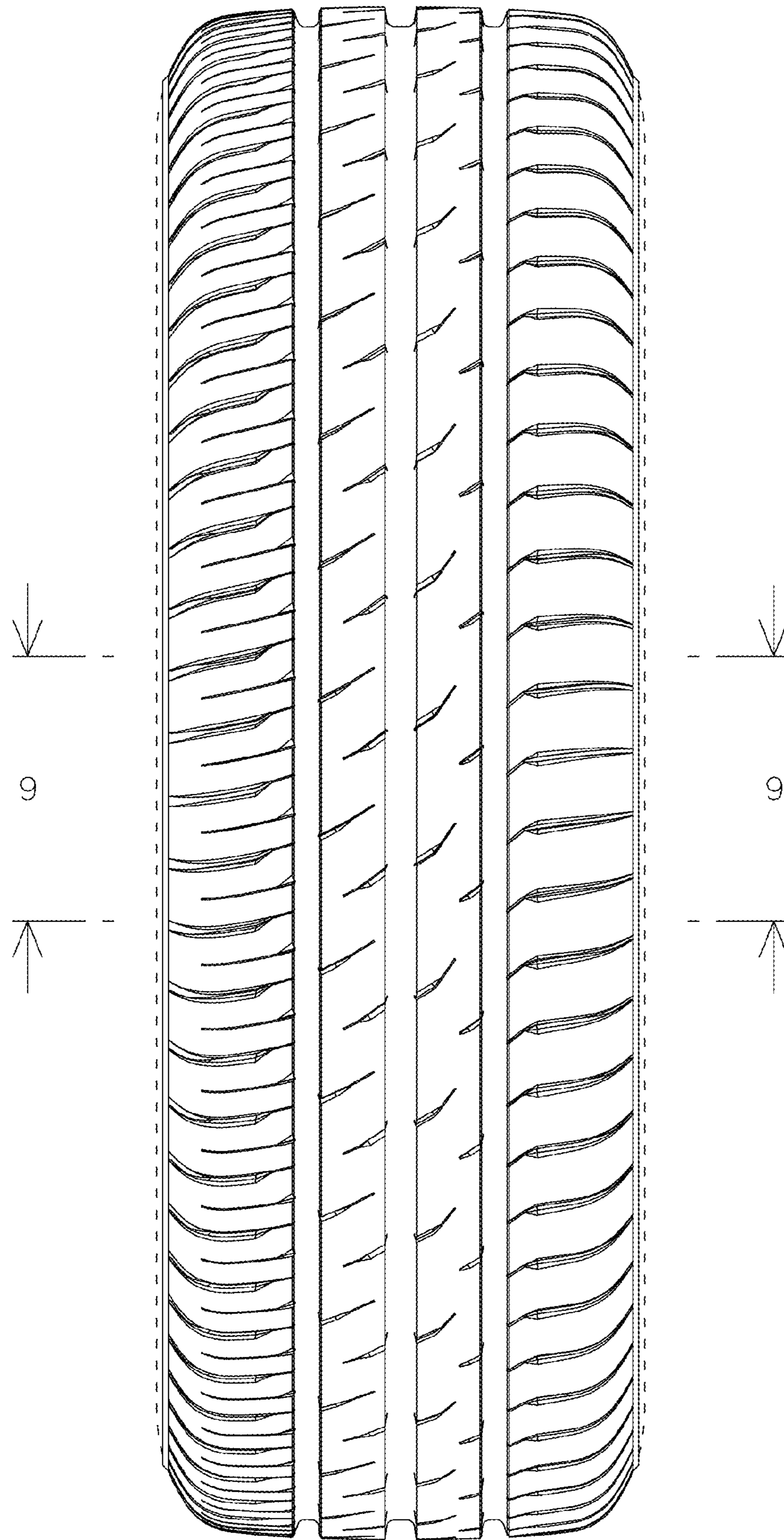


FIG. 2

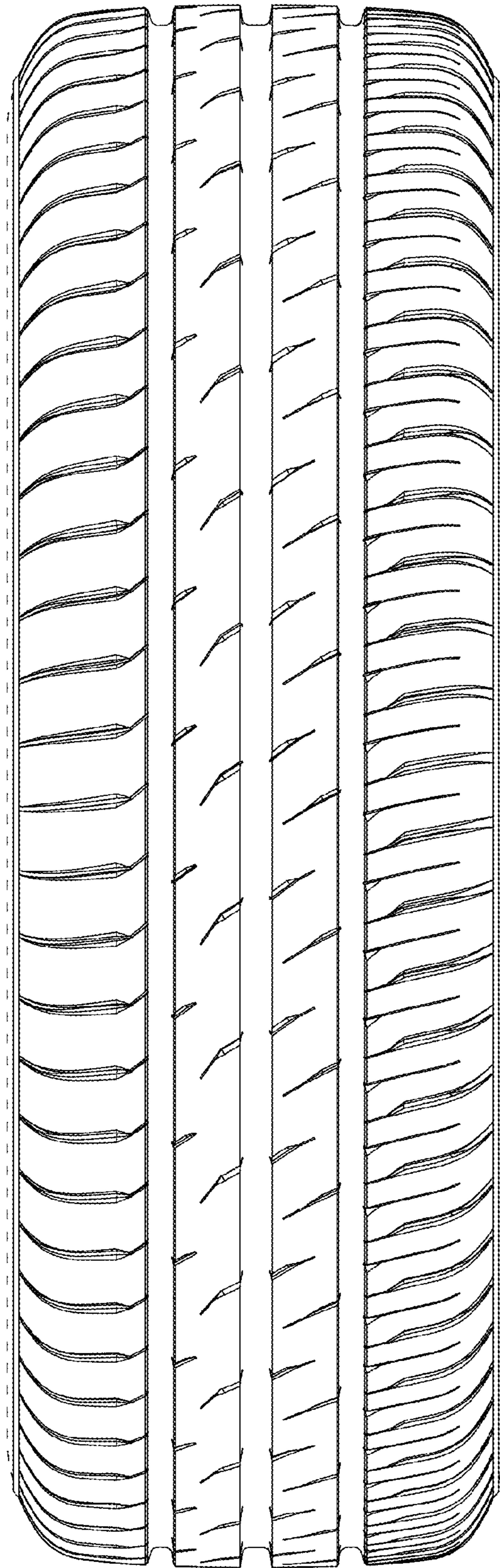


FIG. 3

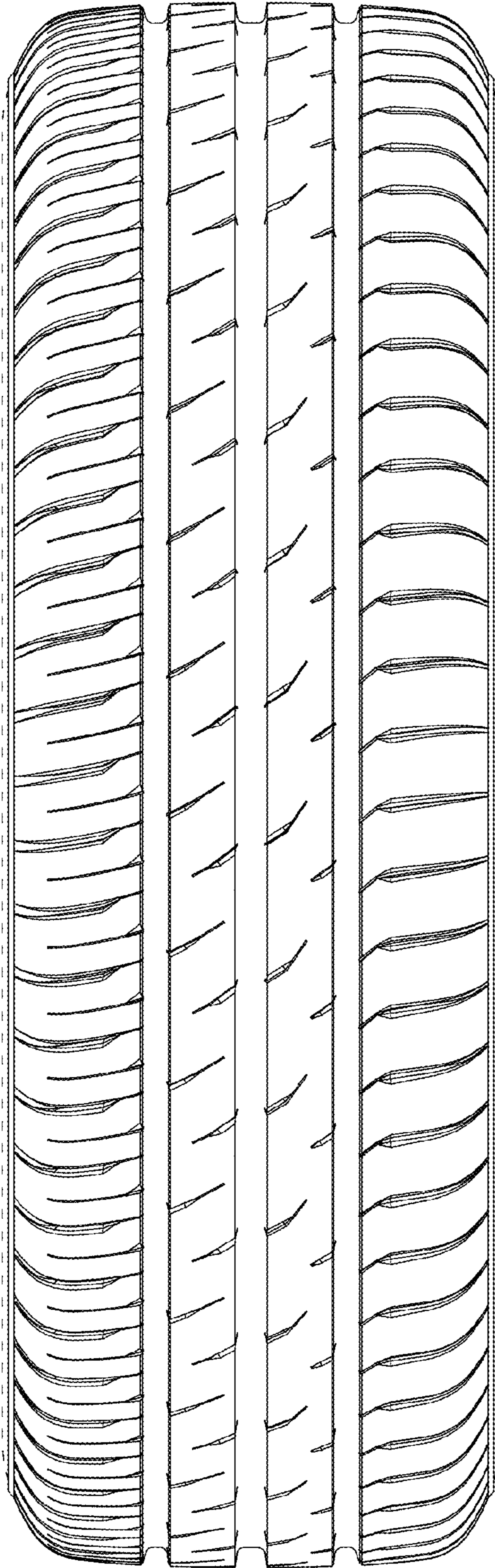


FIG. 4

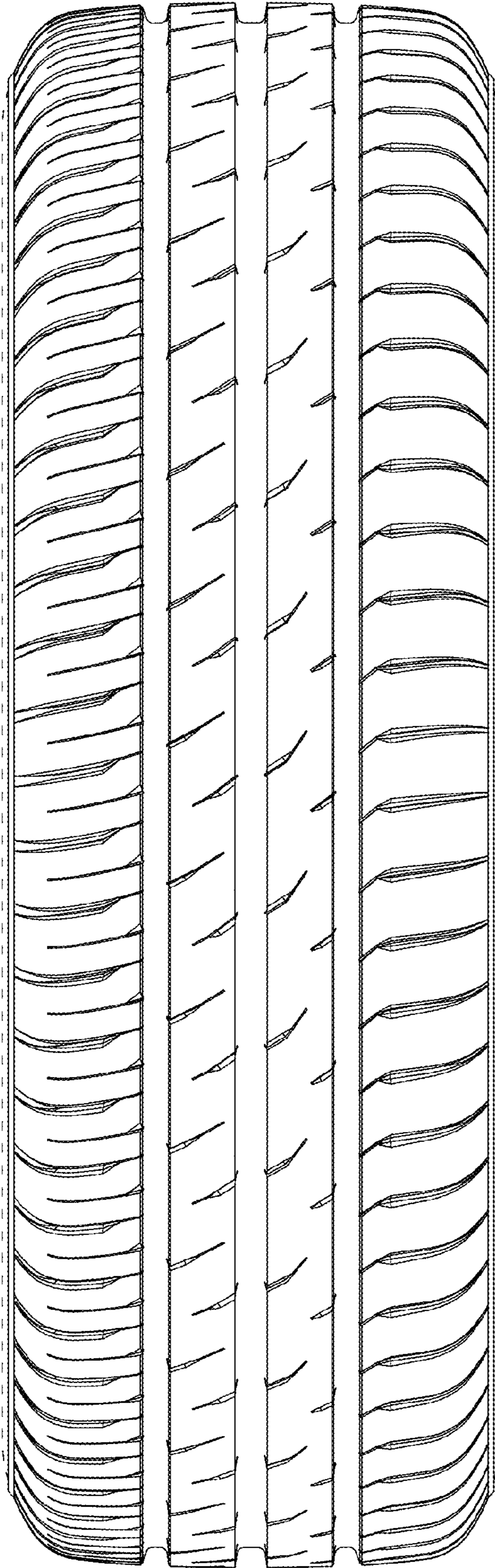


FIG. 5

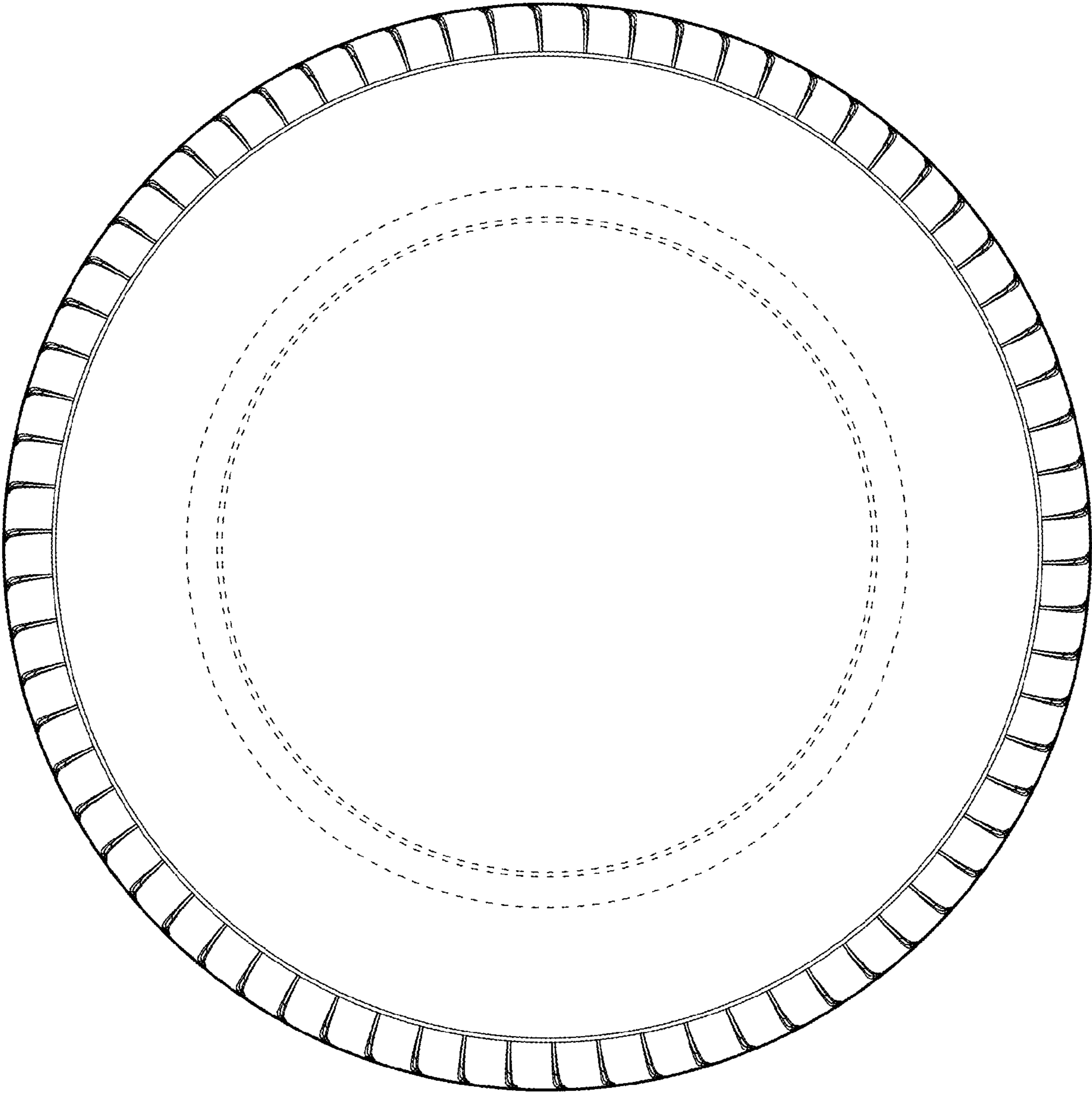


FIG. 6

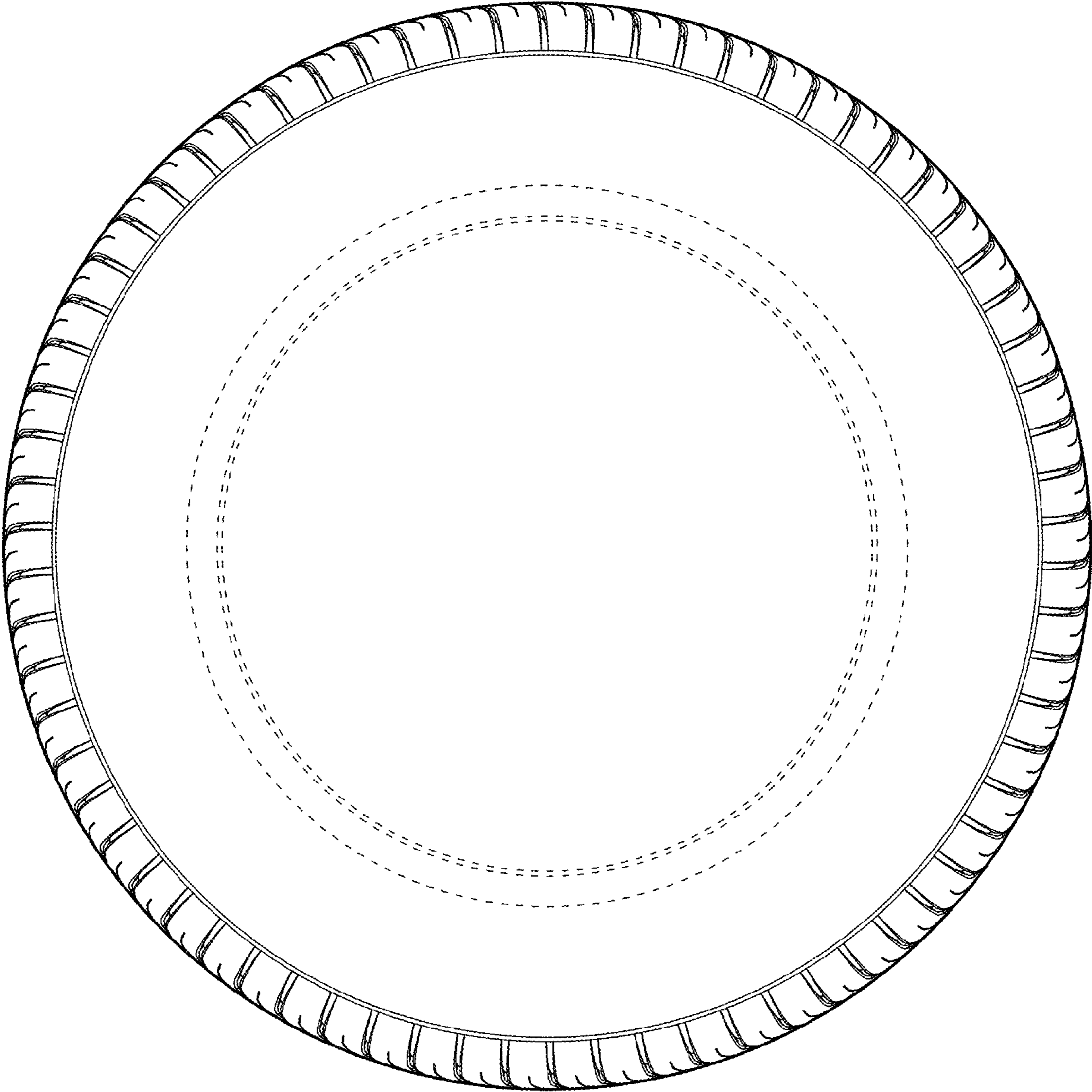


FIG. 7

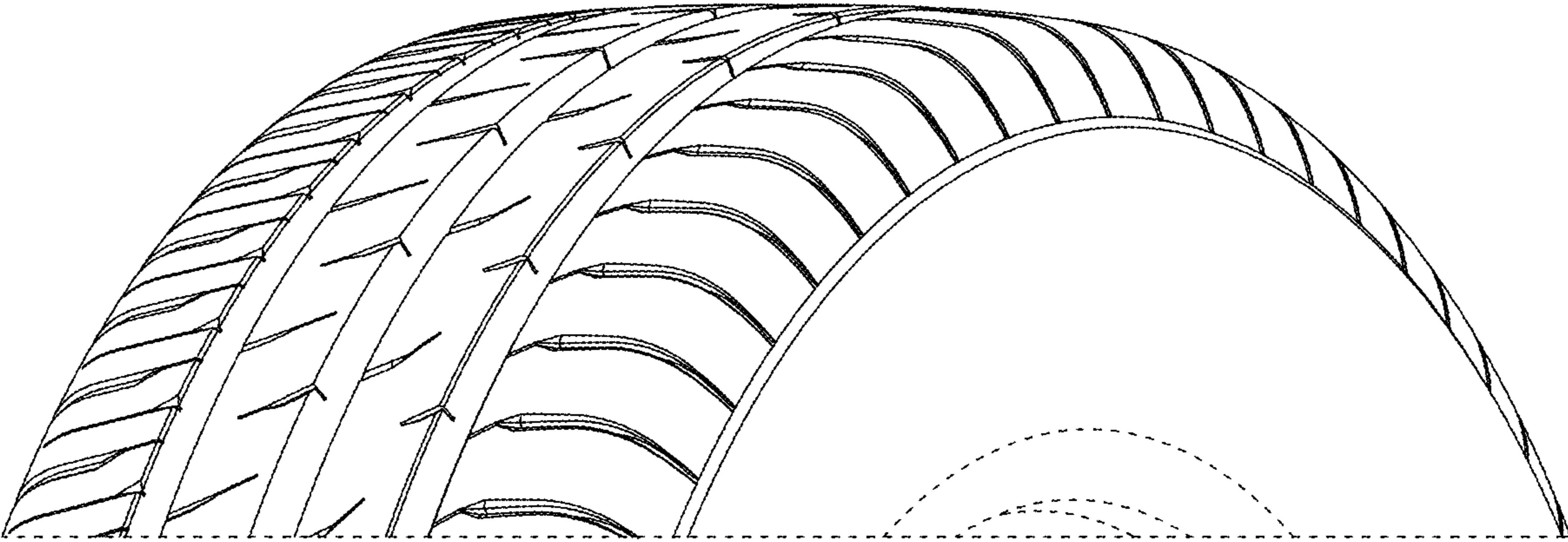


FIG. 8

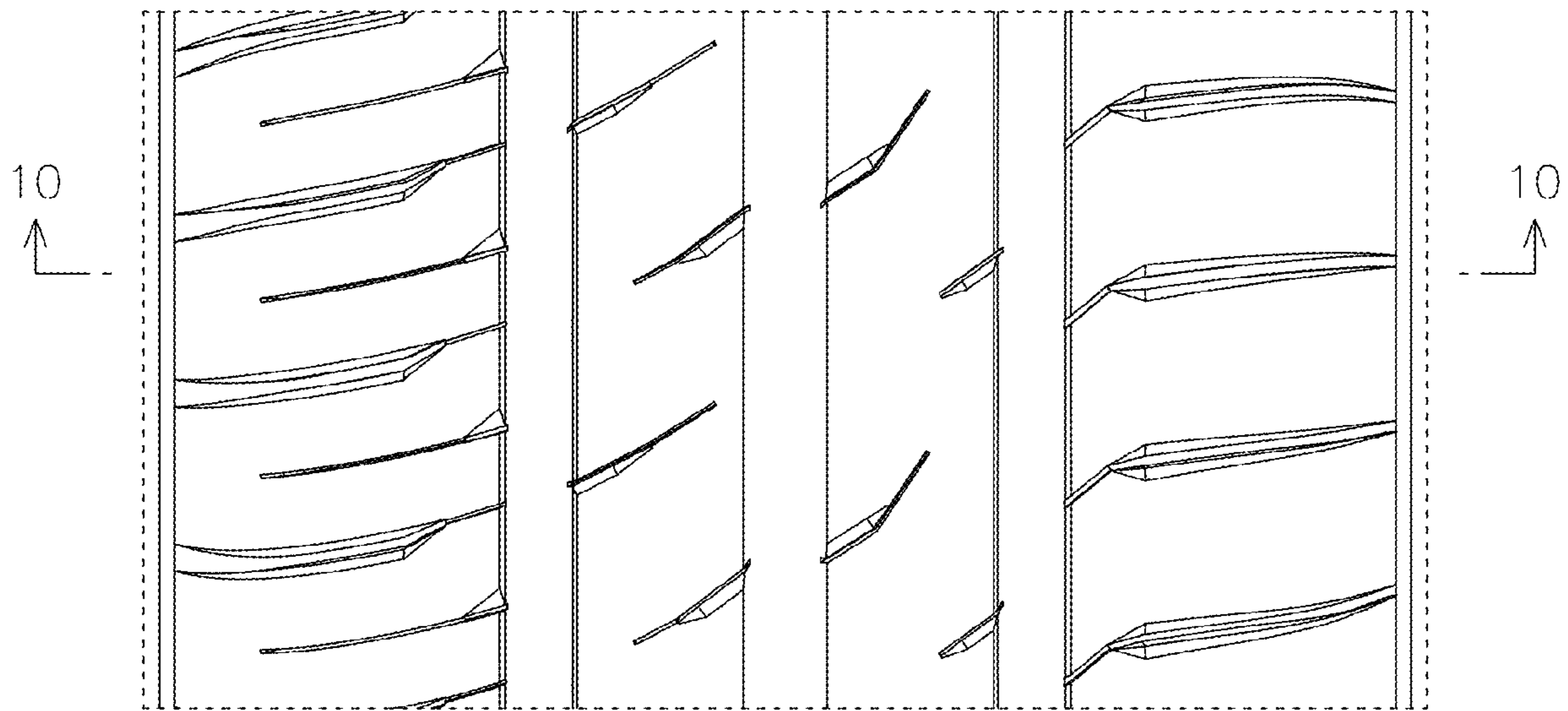


FIG. 9

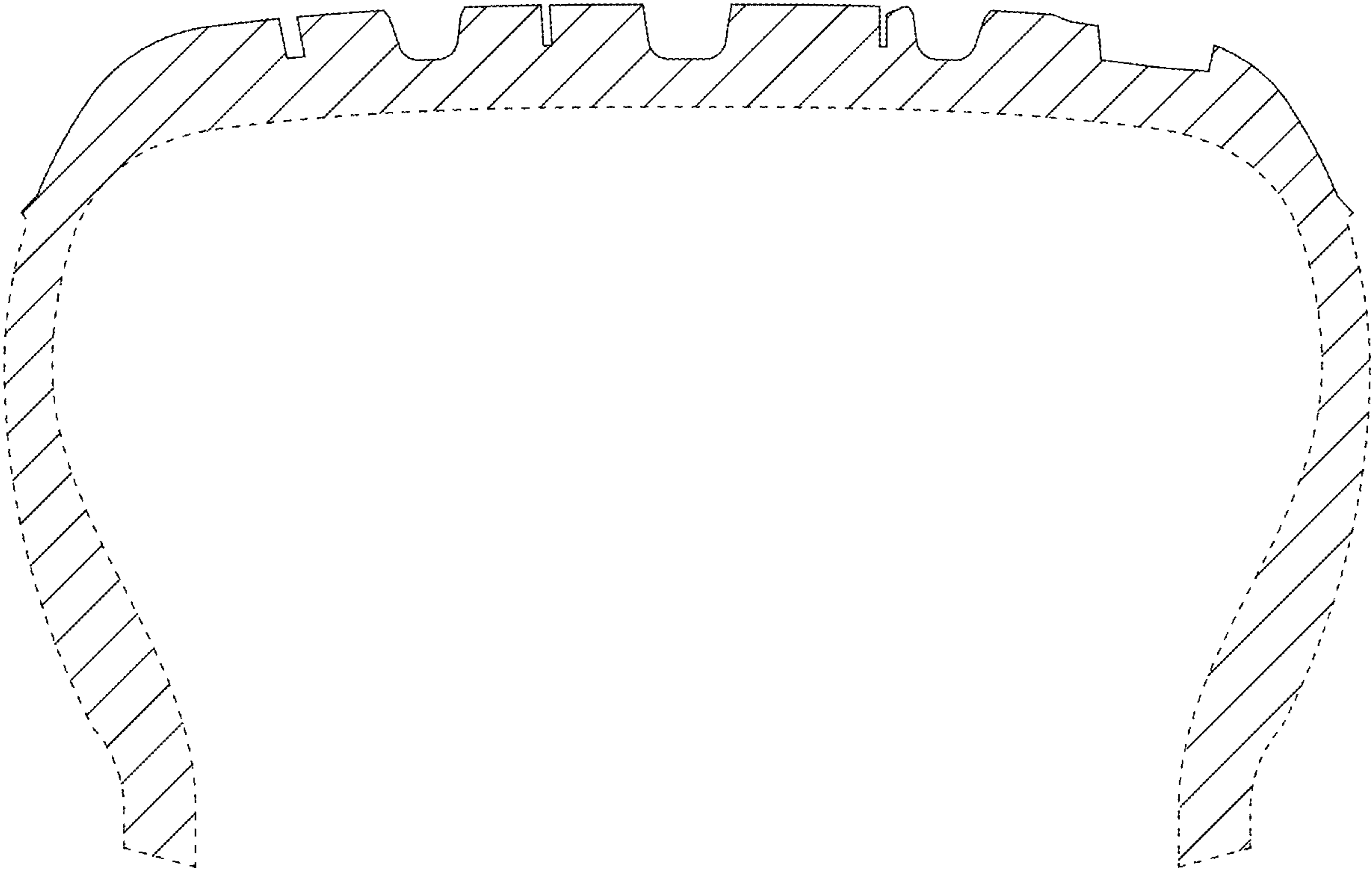


FIG. 10