



US00D983122S

(12) **United States Design Patent** (10) **Patent No.:** **US D983,122 S**
Smith et al. (45) **Date of Patent:** **** Apr. 11, 2023**

(54) **EQUIPMENT MOUNTING PLATFORM FOR CARGO VAN**

(71) Applicant: **TriArc Incorporated**, Lamar, SC (US)

(72) Inventors: **Ray Smith**, Lamar, SC (US); **Aaron Zills**, Albert Lea, MN (US)

(73) Assignee: **Triarc Incorporated**, Lamar, SC (US)

(**) Term: **15 Years**

(21) Appl. No.: **29/755,405**

(22) Filed: **Oct. 20, 2020**

Related U.S. Application Data

(63) Continuation of application No. 16/752,600, filed on Jan. 24, 2020.

(60) Provisional application No. 62/796,414, filed on Jan. 24, 2019.

(51) **LOC (14) Cl.** **12-16**

(52) **U.S. Cl.**
USPC **D12/414.1**

(58) **Field of Classification Search**
USPC ... D12/414.1, 414, 413, 412, 221, 406, 157, D12/423, 414.4; D6/552, 317-319, D6/513-514; D32/35, 58; D3/304-306
CPC B60R 7/02; B60R 9/04; B60R 9/055
See application file for complete search history.

(56) **References Cited**

U.S. PATENT DOCUMENTS

1,639,606 A	8/1927	Hays
2,056,179 A	10/1936	Fitch
3,493,201 A	2/1970	Marran
3,685,708 A	8/1972	Herrington
3,774,261 A	11/1973	Colt
D245,065 S	7/1977	Zick
4,207,649 A	6/1980	Bates

4,284,127 A	8/1981	Collier et al.
4,336,627 A	6/1982	Bascus
4,443,909 A	4/1984	Cameron
4,611,734 A	9/1986	Luecking et al.
4,838,508 A	6/1989	Legon
4,934,720 A	6/1990	Dobron
4,940,082 A	7/1990	Roden
4,949,424 A	8/1990	Shero
5,095,578 A	3/1992	Wade
5,165,139 A	11/1992	Oxman
5,430,910 A	7/1995	Wiley
5,469,598 A	11/1995	Sales
5,497,708 A	3/1996	Jeruzal
5,730,414 A	3/1998	Wenger et al.
6,089,429 A *	7/2000	Everson B60R 9/00 224/281

6,340,105 B1	1/2002	Black
6,511,272 B2	1/2003	Stafford
6,625,844 B2	9/2003	Savage
6,675,437 B1	1/2004	York
7,208,050 B2	4/2007	Boone et al.

(Continued)

FOREIGN PATENT DOCUMENTS

DE	2204810 A1	8/1972
DE	2841902 A1	7/1979
DE	202018100099 U1	1/2018

Primary Examiner — Katrina A Betton

(74) *Attorney, Agent, or Firm* — Christensen, Fonder, Dardi & Herbert PLLC; Douglas J. Christensen

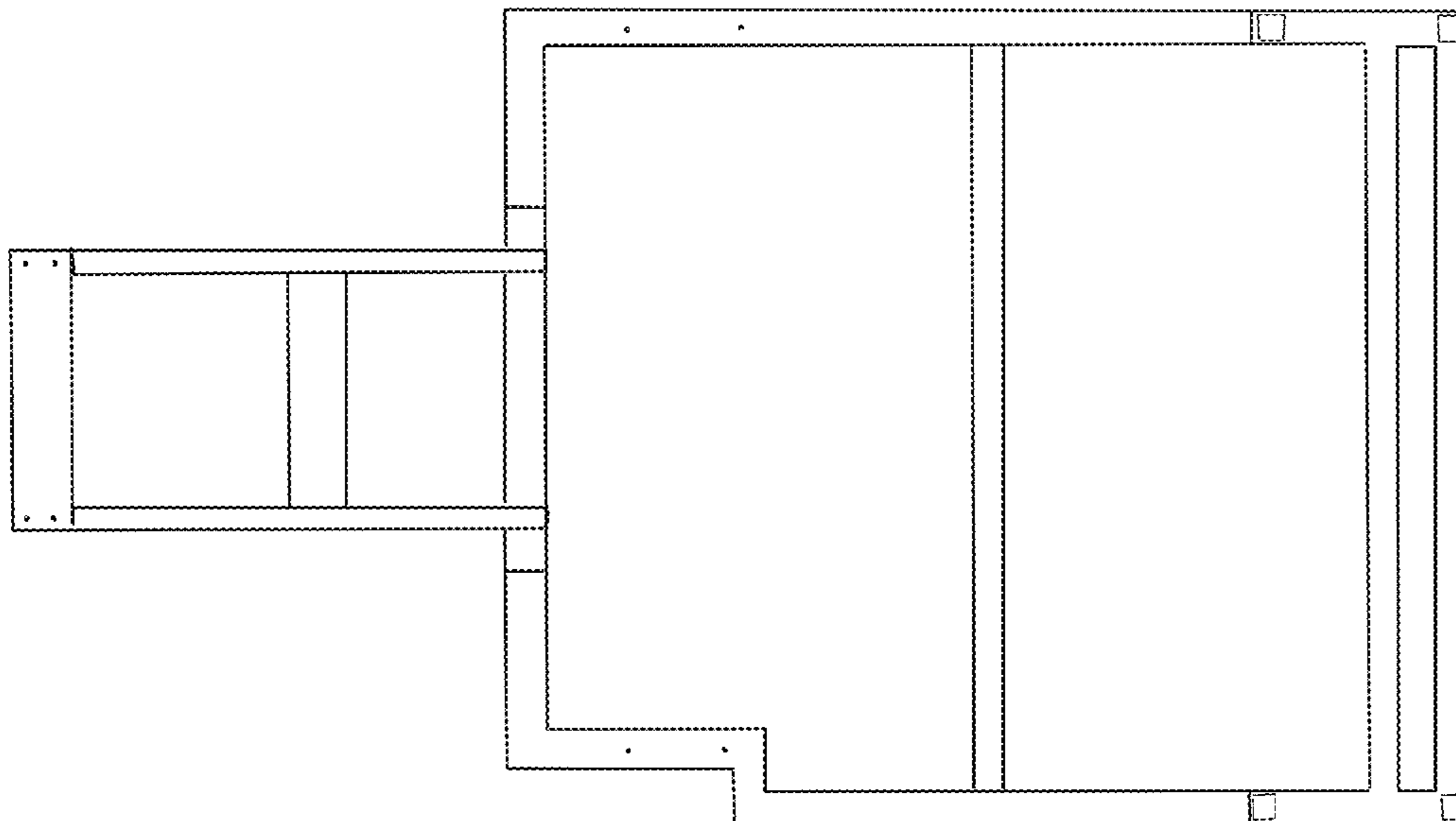
(57) **CLAIM**

We claim the ornamental design for an equipment mounting platform for cargo van, as shown and described.

DESCRIPTION

FIG. 1 is a perspective view of the invention. FIG. 2 is a top plan view of the invention; and, FIG. 3 is a side elevation view taken from the left side of FIG. 1.

1 Claim, 3 Drawing Sheets



(56)

References Cited

U.S. PATENT DOCUMENTS

7,681,280	B2	3/2010	Hayes et al.	
D626,062	S *	10/2010	Giddens	D12/414.1
7,954,201	B1	6/2011	Martinez	
D658,373	S *	5/2012	Gros	D3/273
D722,009	S *	2/2015	Roach	D12/414.1
D755,707	S *	5/2016	Roach	D12/414.1
D766,810	S *	9/2016	Haun	D12/414.1
D771,544	S *	11/2016	Christofferson	D12/414.1
D772,141	S *	11/2016	Christofferson	D12/414.1
9,677,701	B2	6/2017	Goodrich	
D816,587	S *	5/2018	Perkins	D12/414.1
D818,420	S *	5/2018	Roach	D12/414.1
D864,089	S *	10/2019	Dorminey	D12/414.1
D887,953	S *	6/2020	Lai	D12/414.1
10,829,056	B2	11/2020	Pratka et al.	
2003/0041407	A1	3/2003	Savage	
2003/0229963	A1	12/2003	Broehl et al.	
2004/0118439	A1	6/2004	Durrant et al.	
2004/0134649	A1	7/2004	Richardson et al.	
2005/0278889	A1	12/2005	Hayes et al.	
2006/0237502	A1	10/2006	Tweet et al.	
2007/0061996	A1	3/2007	Boone	
2008/0035304	A1	2/2008	Roden et al.	
2008/0066657	A1	3/2008	Kuo	
2009/0320234	A1	12/2009	Stoy et al.	
2010/0024242	A1	2/2010	Friesen et al.	
2010/0294459	A1	11/2010	Williams	
2011/0253803	A1	10/2011	Kennedy	
2014/0231477	A1 *	8/2014	Perkins	B60R 11/06 224/404
2018/0020895	A1	1/2018	Betton et al.	
2018/0072213	A1	3/2018	Abe	
2020/0378232	A1	12/2020	Sharp et al.	

* cited by examiner

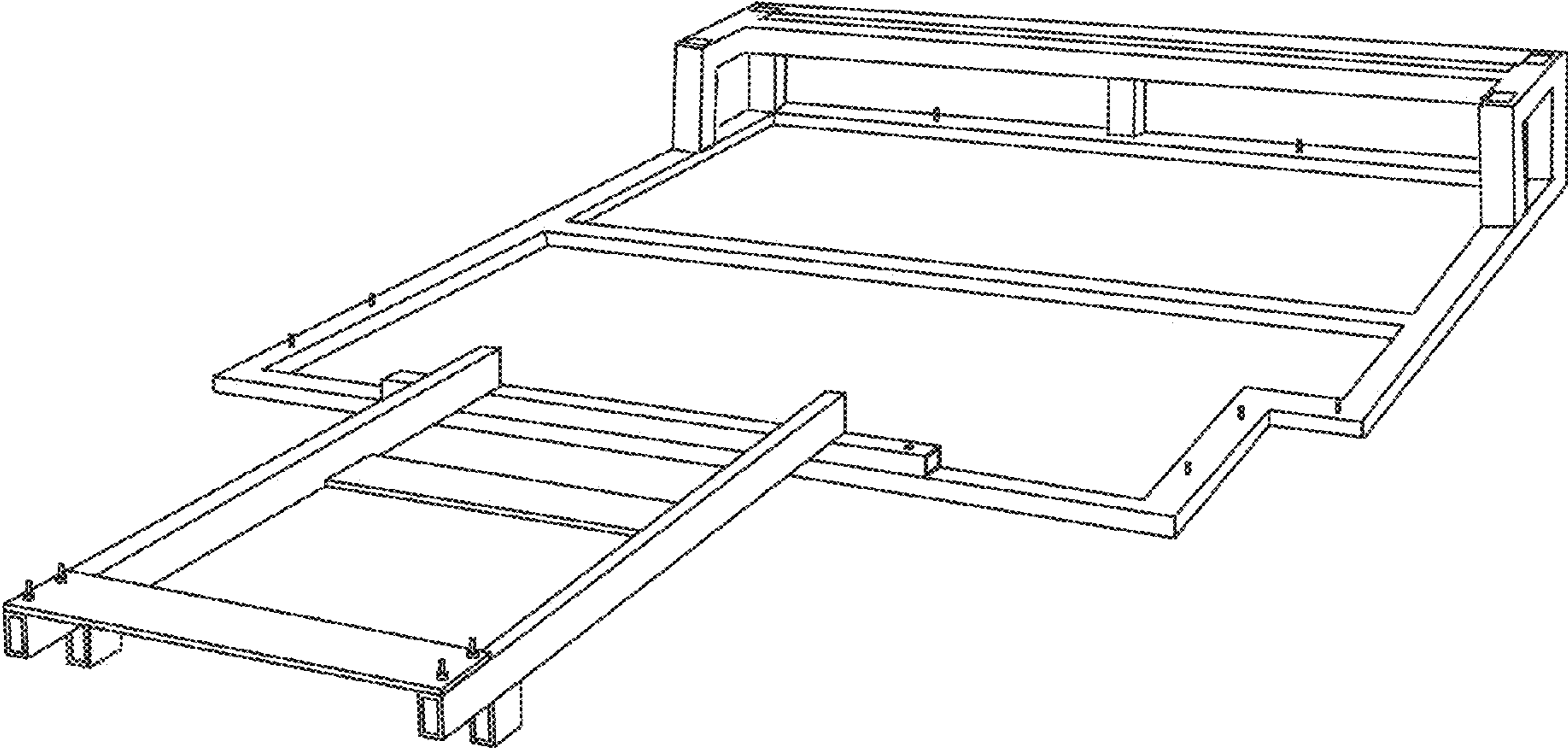


FIG. 1

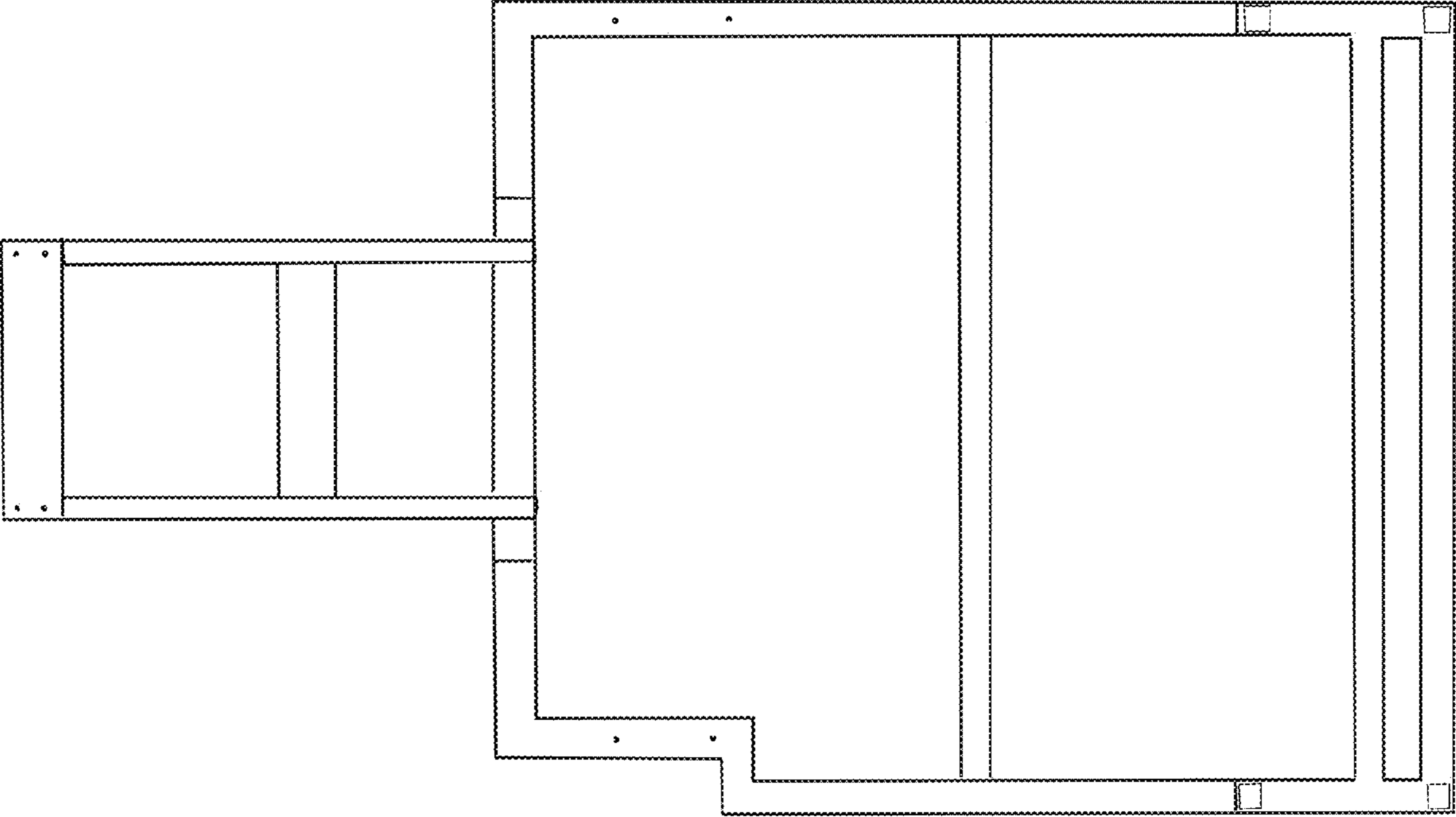


FIG. 2

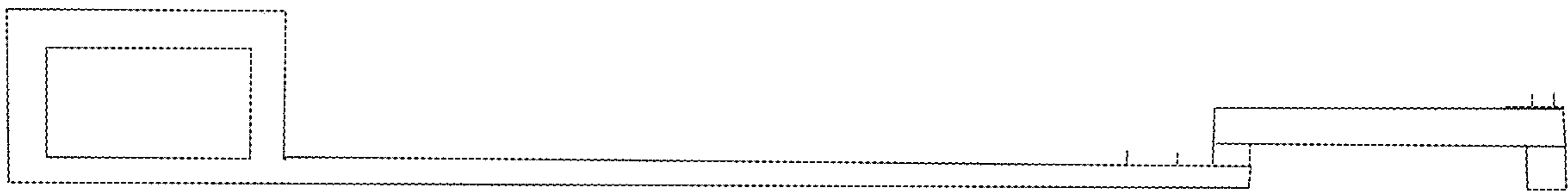


FIG. 3