



US00D983121S

(12) **United States Design Patent**
Smith

(10) **Patent No.:** **US D983,121 S**

(45) **Date of Patent:** **** Apr. 11, 2023**

(54) **VEHICLE COVER ASSEMBLY**

(71) Applicant: **Robert M. Smith**, Marlette, MI (US)

(72) Inventor: **Robert M. Smith**, Marlette, MI (US)

(**) Term: **15 Years**

(21) Appl. No.: **29/795,259**

(22) Filed: **Jun. 17, 2021**

(51) **LOC (14) Cl.** **12-16**

(52) **U.S. Cl.**
USPC **D12/403**

(58) **Field of Classification Search**

USPC D12/401-405; D6/610, 621, 611, 596,
D6/601, 602, 603, 615, 617; D7/332,
D7/334-337

CPC B65D 85/68; B65D 31/16; B65D 33/02;
B60R 5/04; B60R 5/045; B60P 7/04

See application file for complete search history.

(56) **References Cited**

U.S. PATENT DOCUMENTS

D247,711 S *	4/1978	Pittman	D12/403
D297,424 S *	8/1988	Norris, III	D12/403
D299,817 S *	2/1989	Wolcott	D12/403
D333,646 S *	3/1993	Levy	D12/403
D382,248 S *	8/1997	Long	D12/403
D902,125 S *	11/2020	Matras	D12/403
D926,666 S *	8/2021	Martin	D12/401
D938,340 S *	12/2021	Yan	D12/403
D954,628 S *	6/2022	Zhang	D12/403
D962,150 S *	8/2022	Davis, Jr.	D12/403
D973,572 S *	12/2022	Min	A47D 15/00 D21/837

* cited by examiner

Primary Examiner — Katrina A Betton

(74) *Attorney, Agent, or Firm* — Buckert Patent & Trademark Law Firm PC; John F. Buckert

(57) **CLAIM**

The ornamental design for a vehicle cover assembly, as shown and described.

DESCRIPTION

FIG. 1 is an isometric view of a vehicle cover assembly showing my new design;

FIG. 2 is a side view of the vehicle cover assembly of FIG. 1 showing a door in a closed position;

FIG. 3 is a side view of the vehicle cover assembly of FIG. 1 showing the door in an open position;

FIG. 4 is another side view of the vehicle cover assembly of FIG. 1;

FIG. 5 is a rear view of the vehicle cover assembly of FIG. 1;

FIG. 6 is an isometric view of another vehicle cover assembly showing my new design;

FIG. 7 is a side view of the vehicle cover assembly of FIG. 6 showing a door in a closed position;

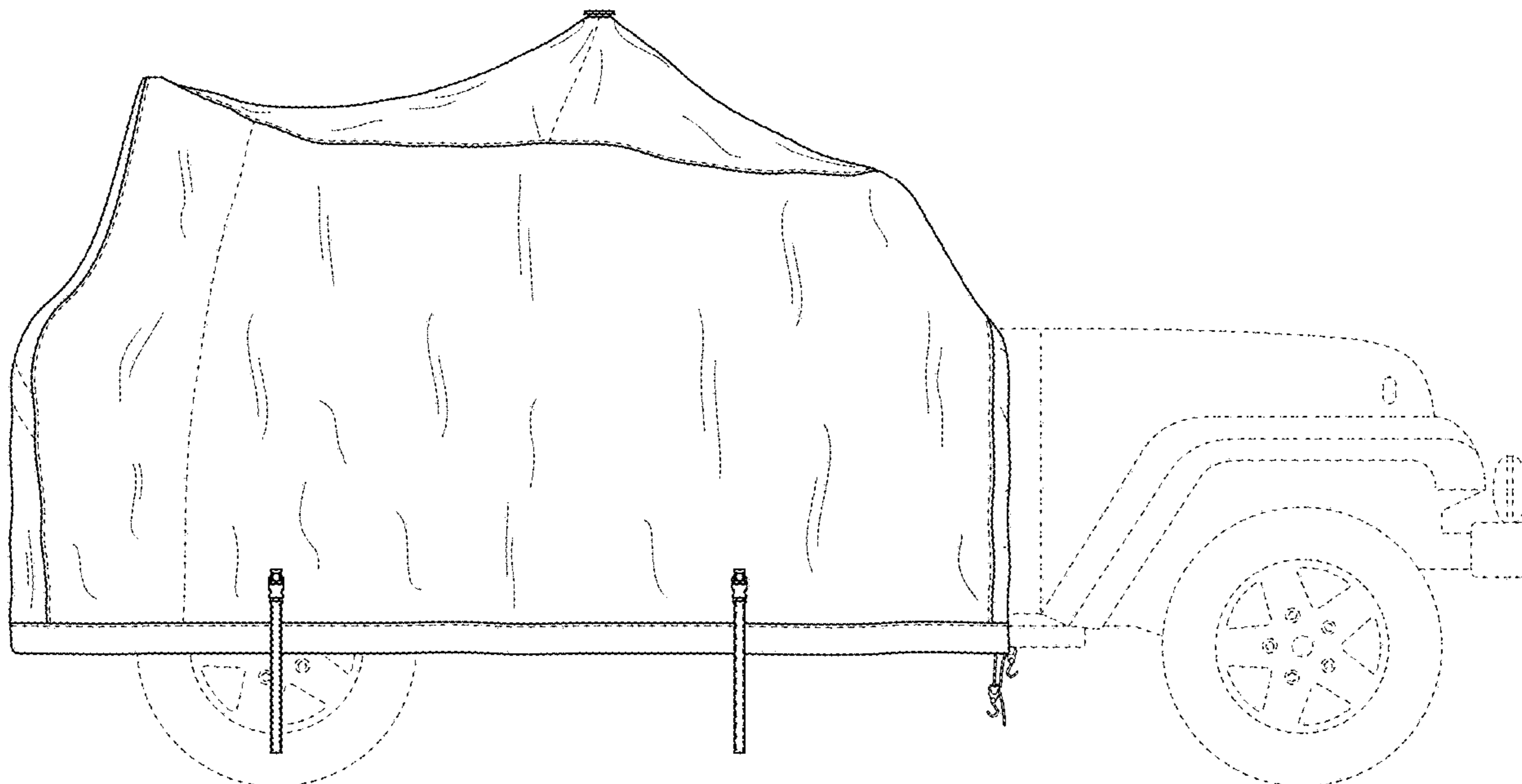
FIG. 8 is a side view of the vehicle cover assembly of FIG. 6 showing the door in an open position;

FIG. 9 is another side view of the vehicle cover assembly of FIG. 6; and,

FIG. 10 is a rear view of the vehicle cover assembly of FIG. 6.

The broken line illustrations of the vehicle and the vehicle cover assembly components in the drawings are for illustrative purposes only and form no part of the claimed design.

1 Claim, 10 Drawing Sheets



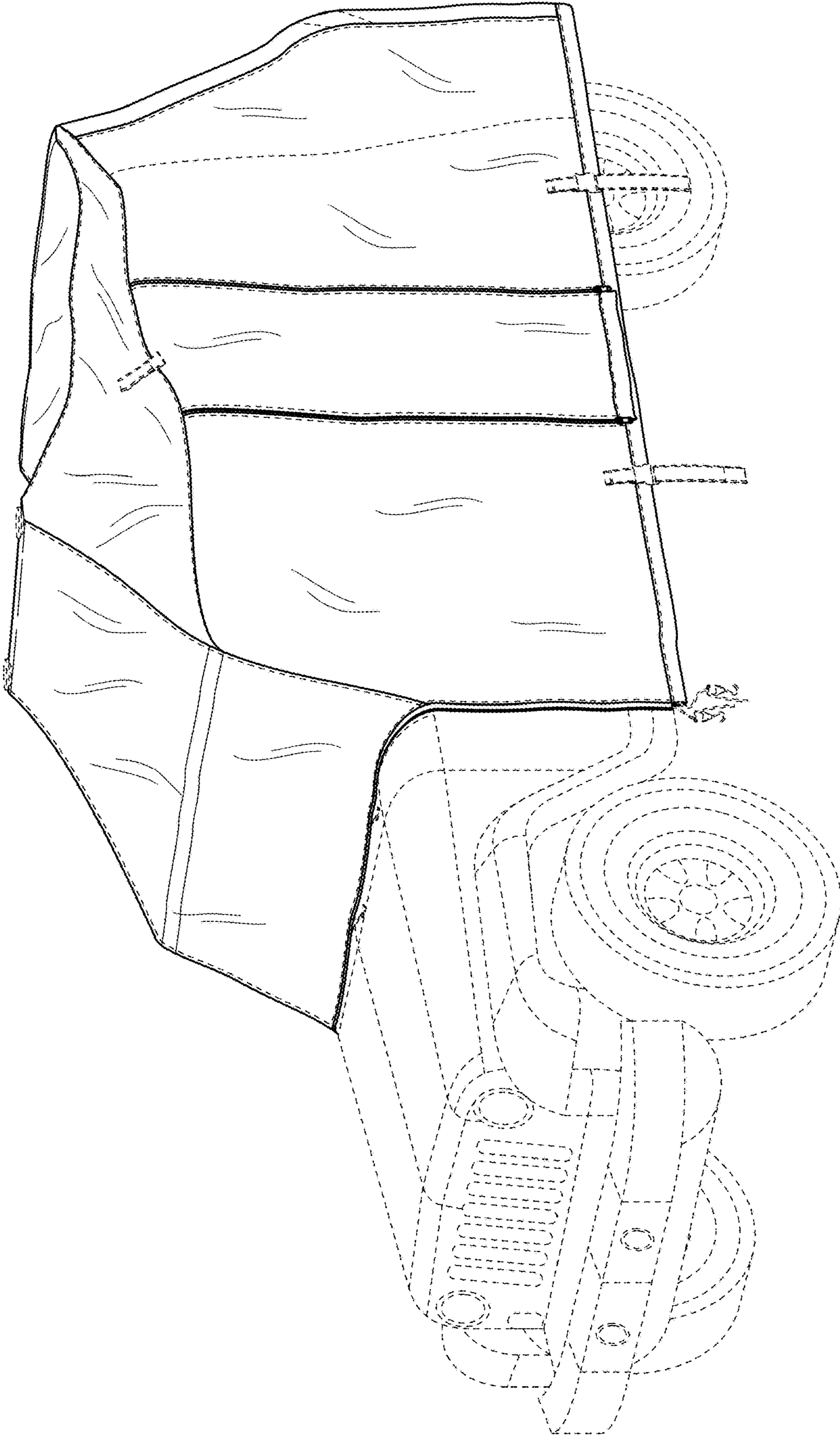


FIG. 1

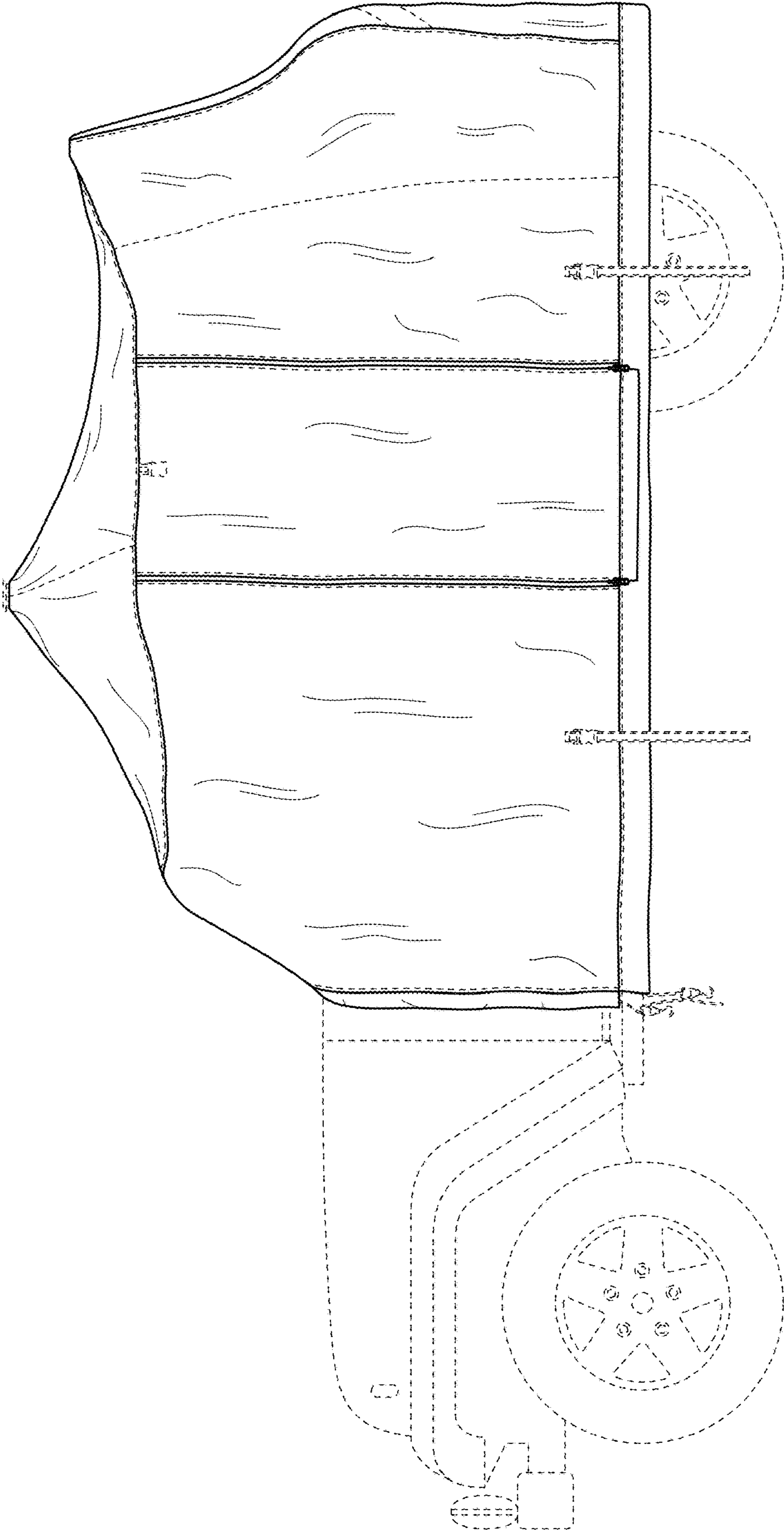


FIG. 2

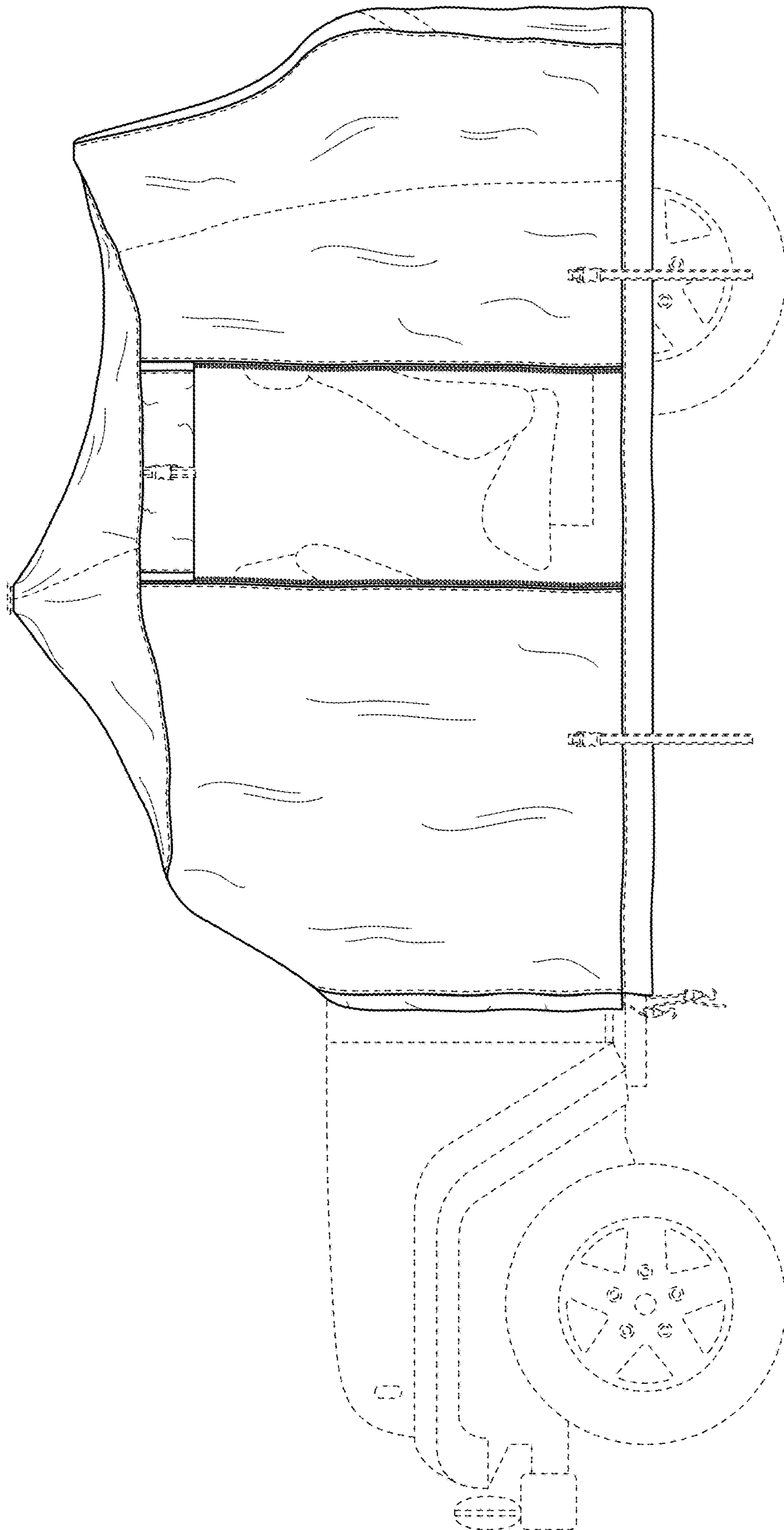


FIG. 3

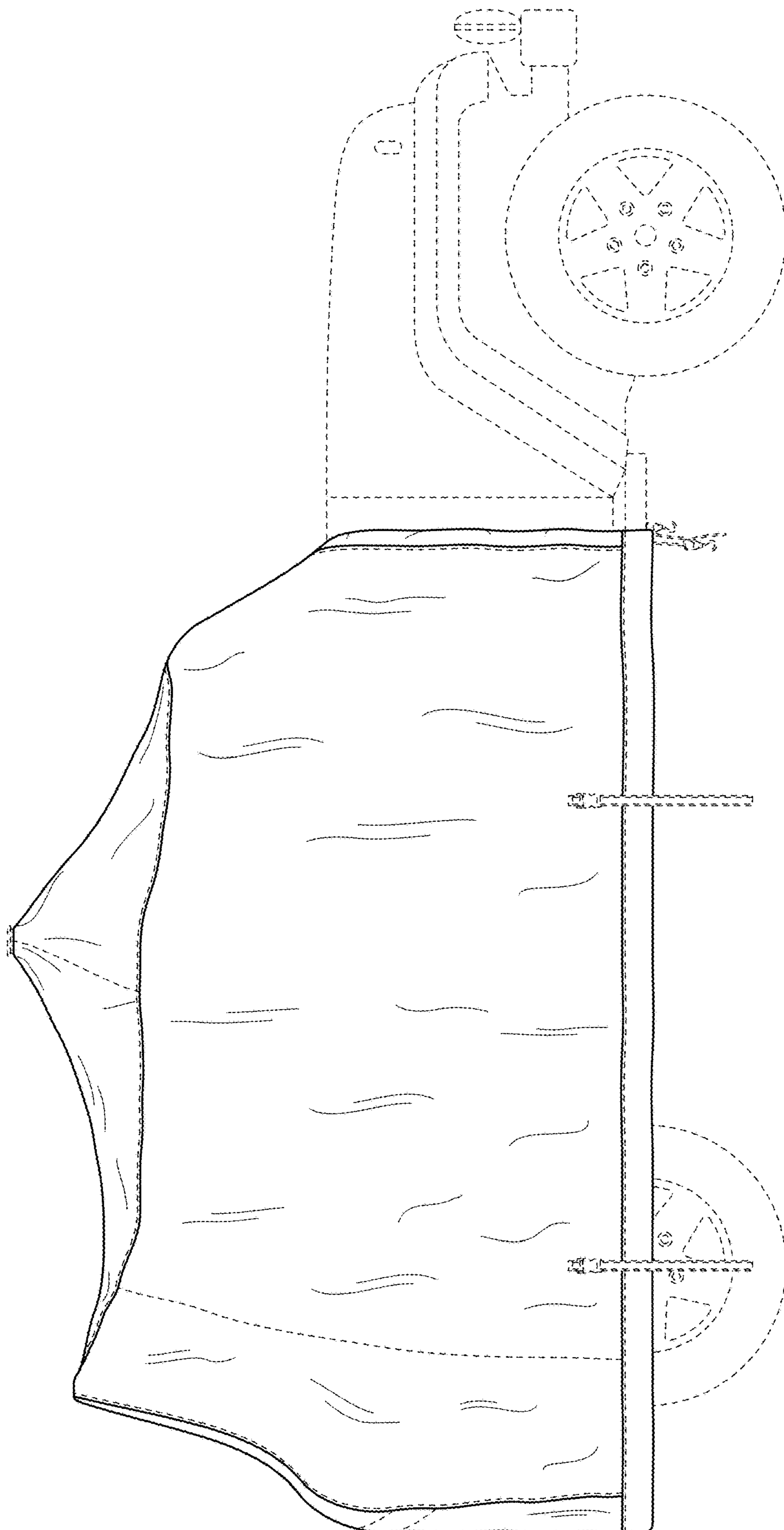


FIG. 4

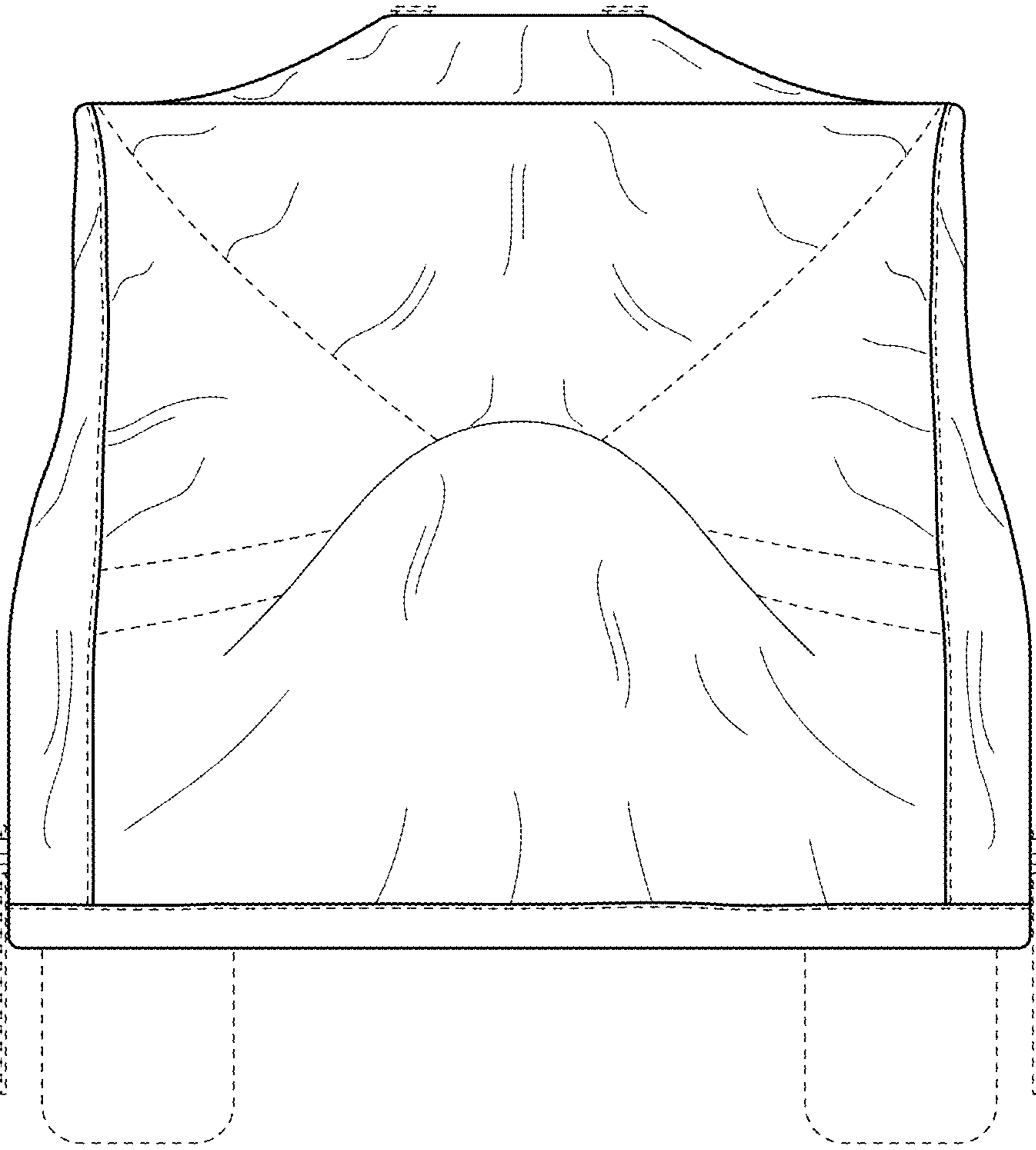


FIG. 5

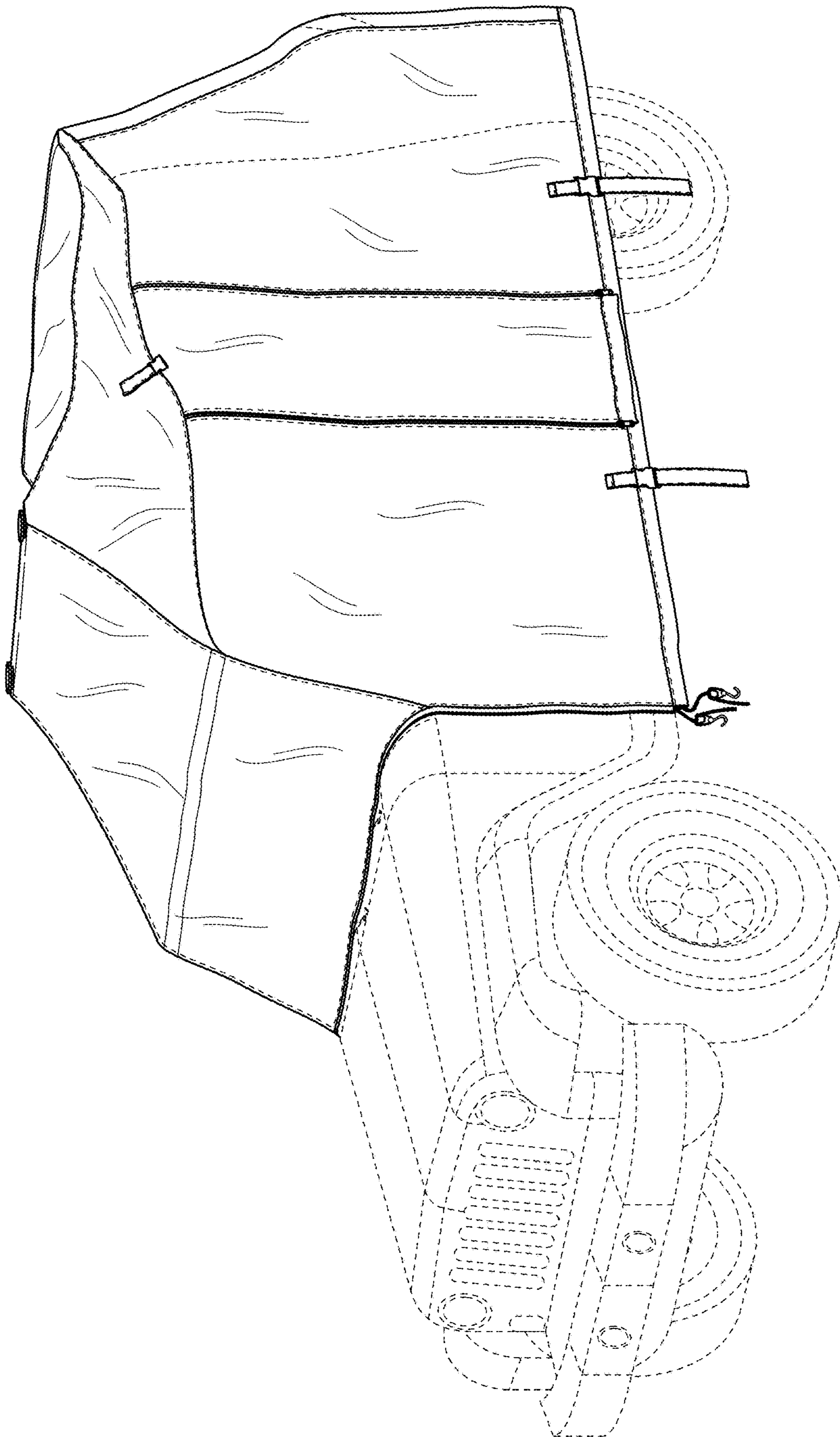


FIG. 6

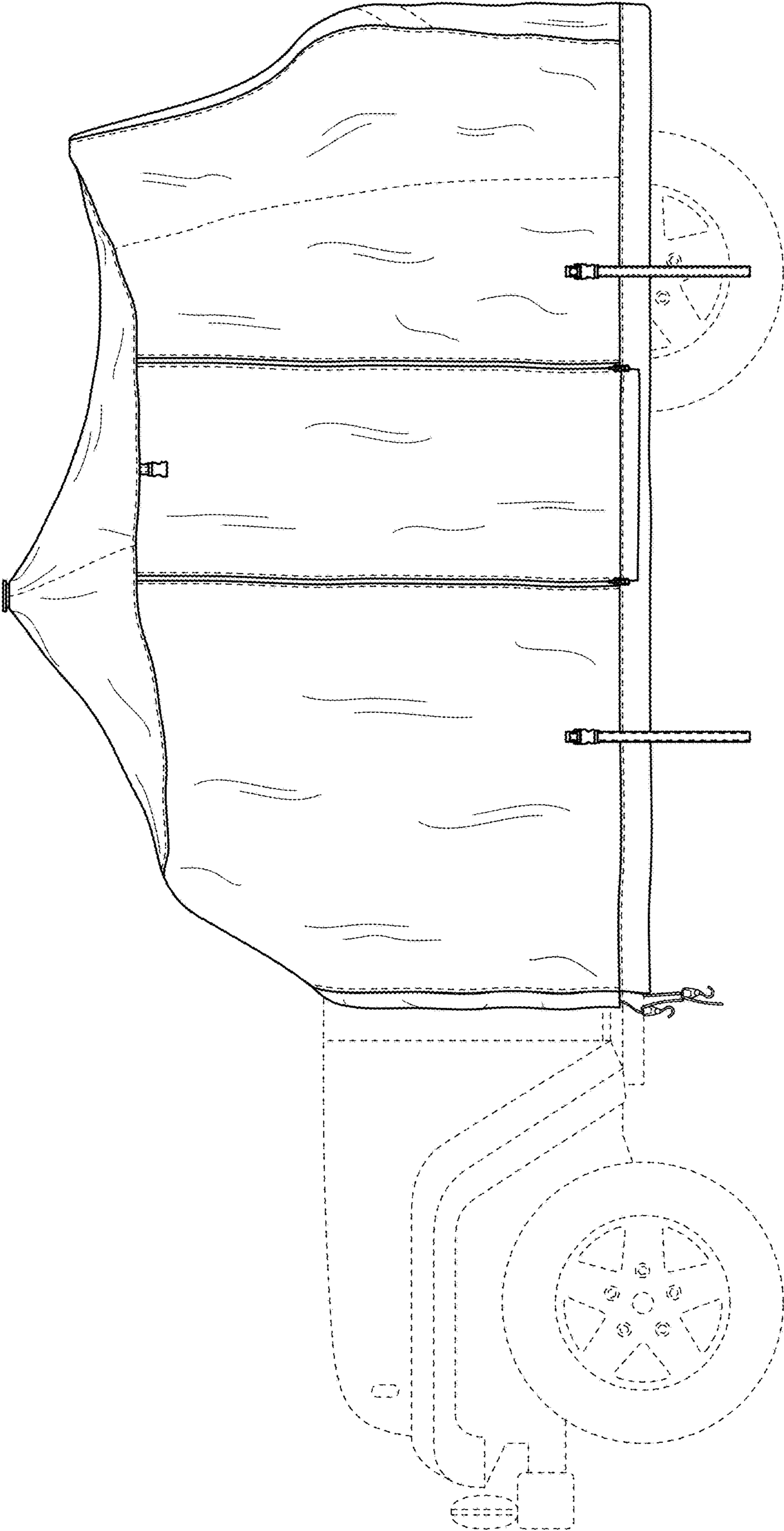


FIG. 7

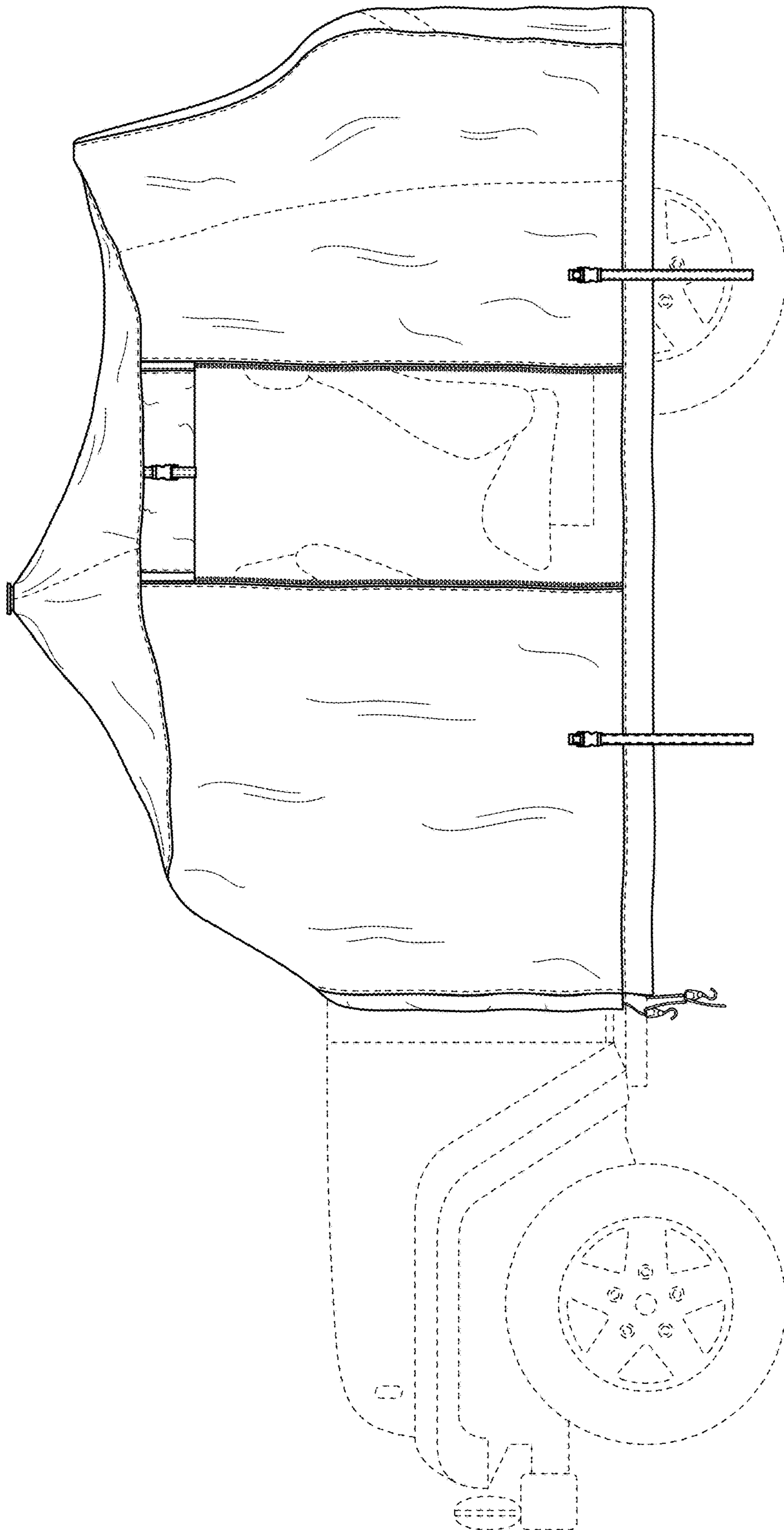


FIG. 8

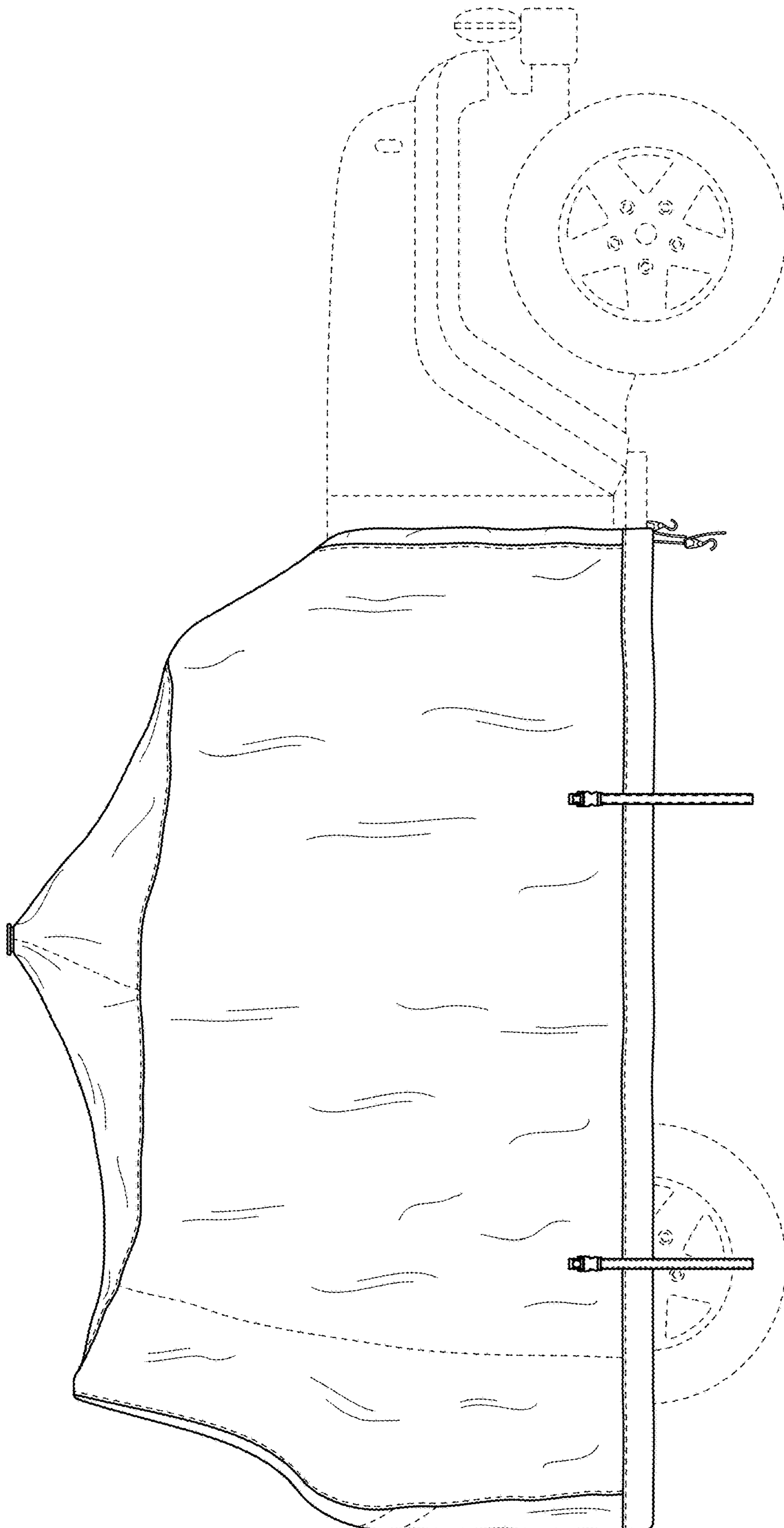


FIG. 9

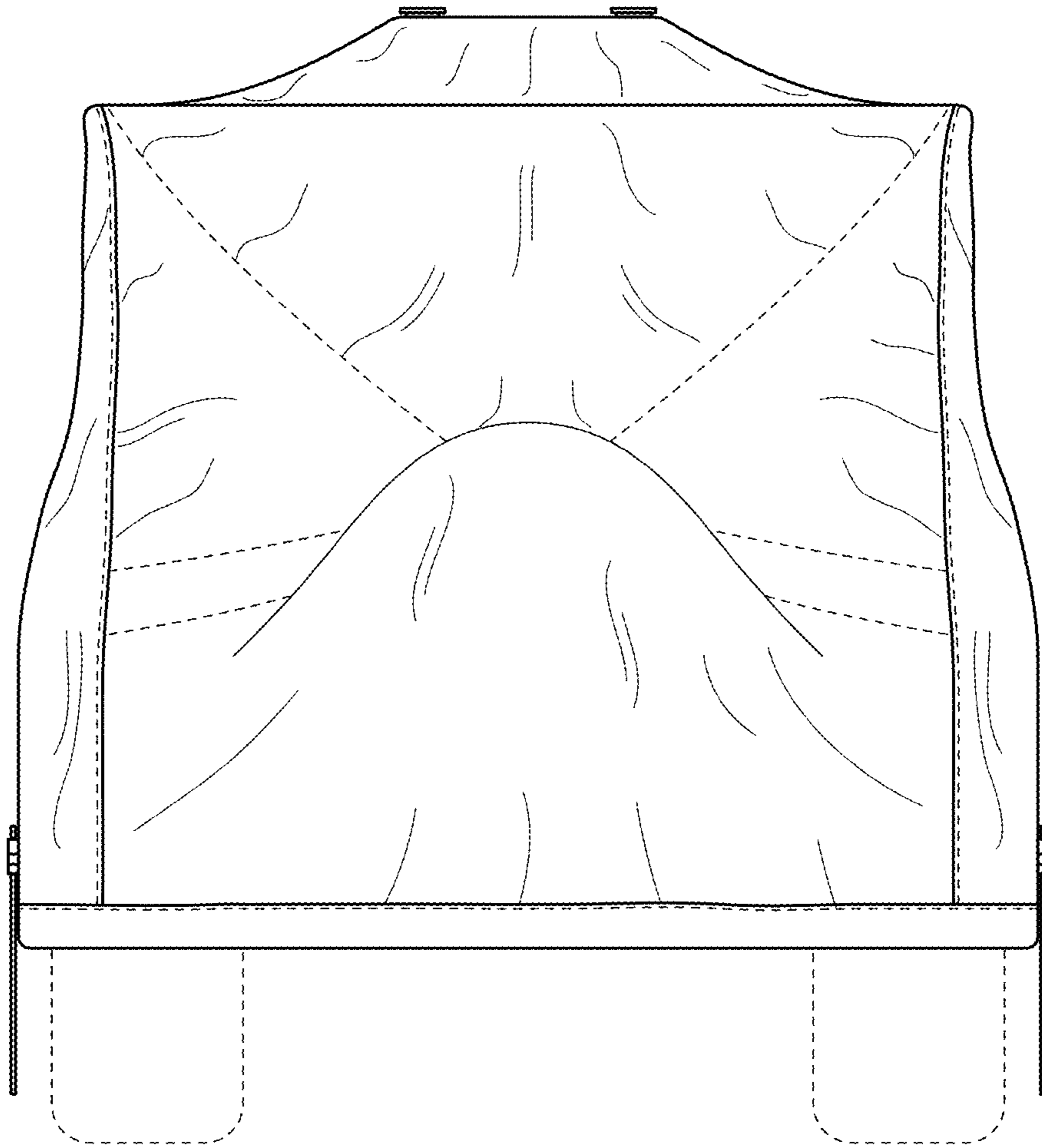


FIG. 10