



US00D983120S

(12) **United States Design Patent** (10) **Patent No.:** **US D983,120 S**  
**Jones et al.** (45) **Date of Patent:** **\*\* Apr. 11, 2023**

(54) **RAILING FOR A MARINE VESSEL**

FOREIGN PATENT DOCUMENTS

(71) Applicant: **Brunswick Corporation**, Mettawa, IL (US)

CN 305515502 12/2019  
GB 1015193 \* 4/1984

(Continued)

(72) Inventors: **Arik L. Jones**, Fort Wayne, IN (US);  
**Rachel Parteko**, Ossian, IN (US);  
**Gary W. Rose**, Roanoke, IN (US)

OTHER PUBLICATIONS

(73) Assignee: **BRUNSWICK CORPORATION**, Mettawa, IL (US)

Trim-Lok EPDM Dense Rubber Window Locking Gasket—Fits ¼" Glass and ¼" Panel Edge, 25' Length, available in Amazon.com, date first available Aug. 28, 2012 [online], [site visited Sep. 29, 2022], Available from the internet URL: [https://www.amazon.com/Trim-Lok-Rubber-Locking-Weather-Stripping/dp/B00NL48LV2/ref=sr\\_1\\_19.\\*](https://www.amazon.com/Trim-Lok-Rubber-Locking-Weather-Stripping/dp/B00NL48LV2/ref=sr_1_19.*)

(\*\*) Term: **15 Years**

(Continued)

(21) Appl. No.: **29/780,852**

(22) Filed: **Apr. 27, 2021**

*Primary Examiner* — Darlington Ly

(51) **LOC (14) Cl.** ..... **12-06**

*Assistant Examiner* — D. Ryan Tisdale

(52) **U.S. Cl.**

(74) *Attorney, Agent, or Firm* — Andrus Intellectual Property Law, LLP

USPC ..... **D12/317**

(58) **Field of Classification Search**

USPC ..... D12/317–318; D25/38.1, 39, 41.1, D25/119–121, 124–127, 133–134, 136; D8/354, 356, 363–365, 373, 376–377; D6/324, 327, 512, 524, 546–547, 550, D6/556, 580–581, 711

(57) **CLAIM**

The ornamental design for a railing for a marine vessel, as shown and described.

CPC ..... B63B 1/12; B63B 1/121; B63B 1/125; B63B 17/02; B63B 17/04; E04F 10/06; E04F 10/0603; E04F 10/0681; E04F 10/0685; E04F 11/181; E04F 19/00; E04F 19/02; E04F 19/04; A47F 1/12; A47F 5/005; E02D 29/02; E04G 21/3223; E04H 17/20; G09F 13/0413; G09F 13/0454

**DESCRIPTION**

FIG. 1 is a front perspective view of a railing for a marine vessel according to our new and ornamental design, the railing being shown mounted on a pontoon boat; FIG. 2 is an isolated front perspective view thereof; FIG. 3 is an isolated rear perspective view thereof; FIG. 4 is a side elevation view thereof; FIG. 5 is a detail view, taken from FIG. 3; and, FIG. 6 is a view of section 6-6, taken in FIG. 4. The broken lines in the drawings illustrate portions of the railing for a marine vessel and pontoon boat that form no part of the claimed design.

See application file for complete search history.

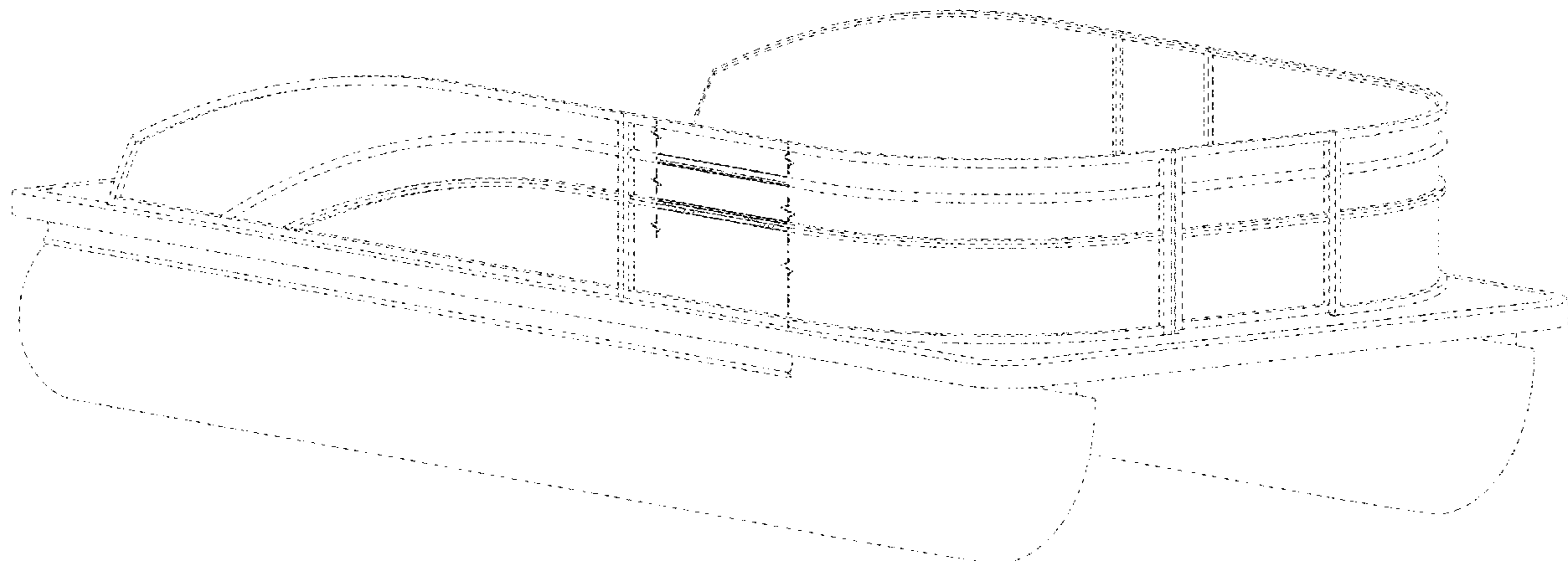
(56) **References Cited**

U.S. PATENT DOCUMENTS

2,905,126 A \* 9/1959 Gaffey  
D208,396 S 8/1967 Holloway  
3,429,558 A \* 2/1969 Burmann et al.  
4,290,529 A \* 9/1981 Jones et al. .... 211/13  
4,526,124 A 7/1985 Hartwall

(Continued)

**1 Claim, 5 Drawing Sheets**



(56)

References Cited

U.S. PATENT DOCUMENTS

4,773,348 A 9/1988 Rowley  
 4,823,724 A 4/1989 Lumpkin  
 5,074,506 A 12/1991 Larsen  
 D348,040 S \* 6/1994 Shearer ..... D12/317  
 5,474,273 A 12/1995 Vinal  
 5,706,752 A 1/1998 Menne, Jr. et al.  
 D465,449 S 11/2002 Lindholm  
 6,533,251 B1 \* 3/2003 Abbaticchio ..... E04F 19/026  
 256/65.16  
 D555,545 S 11/2007 Peek  
 D568,804 S 5/2008 Zsido  
 D569,782 S \* 5/2008 Bach ..... D12/317  
 D573,011 S 7/2008 Decker et al.  
 D581,854 S 12/2008 Zsido  
 D706,451 S 6/2014 Laitta et al.  
 D706,452 S 6/2014 Laitta et al.  
 D718,698 S \* 12/2014 Cooney ..... D12/317  
 9,067,646 B2 6/2015 Admire  
 D756,531 S 5/2016 Hagerty  
 D764,378 S 8/2016 Conrad  
 D764,379 S 8/2016 Conrad  
 D764,380 S 8/2016 Conrad  
 D764,381 S \* 8/2016 Conrad ..... D12/317  
 D764,382 S 8/2016 Conrad  
 D765,008 S 8/2016 Conrad  
 D766,807 S \* 9/2016 Conrad ..... D12/317  
 D768,050 S 10/2016 Conrad  
 9,783,267 B1 10/2017 Alexander et al.  
 10,184,220 B1 1/2019 McGilvery  
 10,239,587 B1 3/2019 Corman  
 D879,008 S 3/2020 Pringle  
 10,850,812 B2 12/2020 Williams et al.  
 10,994,810 B1 5/2021 Scheele et al.  
 11,338,888 B2 5/2022 Mazzaelli  
 11,453,461 B2 \* 9/2022 Thomas ..... B63B 35/38  
 2007/0022938 A1 2/2007 Fishburn  
 2011/0031653 A1 \* 2/2011 Hebert ..... B29C 51/00  
 264/319  
 2021/0129944 A1 \* 5/2021 Fishburn ..... B63B 1/125  
 2022/0227461 A1 \* 7/2022 L'Heureux ..... B63B 17/04

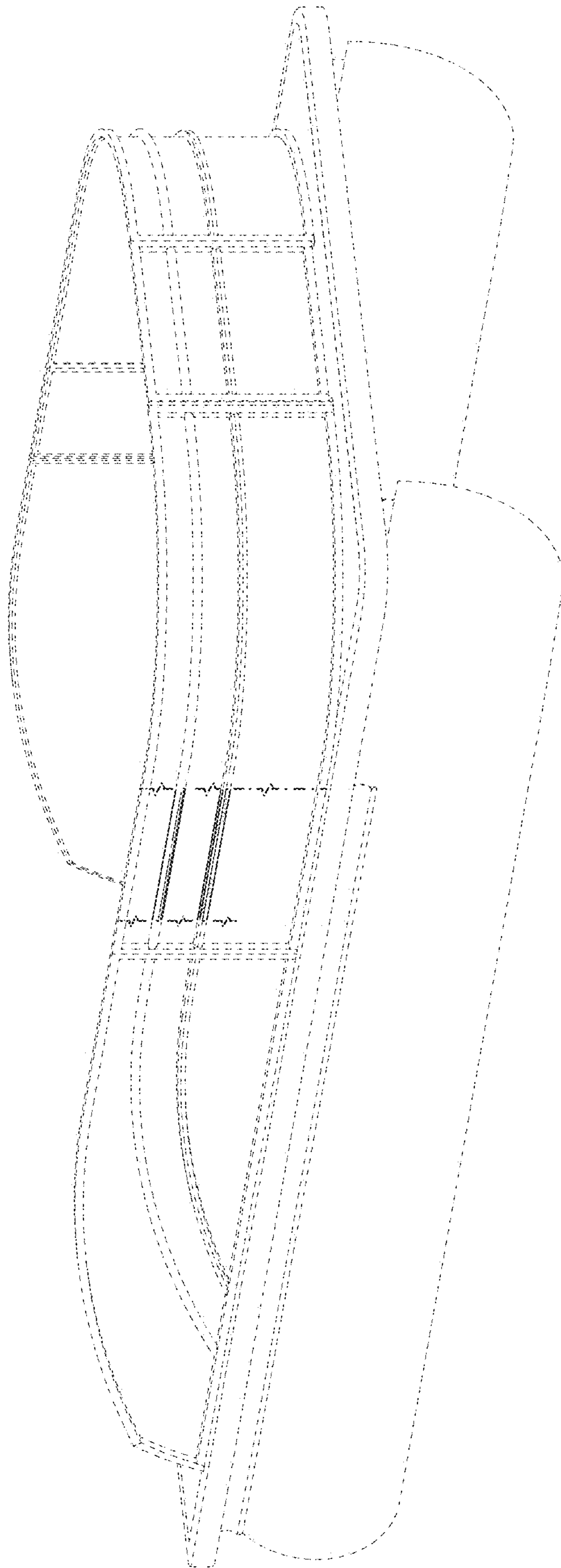
FOREIGN PATENT DOCUMENTS

GB 1017804 \* 4/1984  
 JP D1708557 2/2022  
 KR 300985366 12/2018  
 KR 301039981.0000 \* 1/2020

OTHER PUBLICATIONS

RecPro RV Awning Trim | Black or White Color Trim Options, available in Amazon.com, date first available Jan. 13, 2020 [online], [site visited Sep. 29, 2022], Available from the internet URL: [https://www.amazon.com/RecPro-Awning-Options-Pieces-Aluminum/dp/B083STRJ49/ref=sr\\_1\\_262?keywords=Boat+Rub+Rail&qid=1664458342&qu...](https://www.amazon.com/RecPro-Awning-Options-Pieces-Aluminum/dp/B083STRJ49/ref=sr_1_262?keywords=Boat+Rub+Rail&qid=1664458342&qu...) \*  
 Taco Metal Vinyl Insert BK 1<sup>3</sup>/<sub>16</sub>x<sup>1</sup>/<sub>2</sub> 50', available in Amazon.com, date first available Oct. 1, 2001 [online], [site visited Sep. 29, 2022], Available from the internet URL: [https://www.amazon.com/TACO-METAL-Vinyl-Insert-1-13/dp/B00144EHXC/ref=sr\\_1\\_27?keywords=Boat+Rub+Rail&qid=1664458089&qu=eyJxc2MiO...](https://www.amazon.com/TACO-METAL-Vinyl-Insert-1-13/dp/B00144EHXC/ref=sr_1_27?keywords=Boat+Rub+Rail&qid=1664458089&qu=eyJxc2MiO...) \*  
 Dock Edge Stationary Dock Boarding Buddy Hand Rail, available in Amazon.com, date first available Aug. 24, 2012 [online], [site visited Nov. 17, 2022], Available from the internet URL: [https://www.amazon.com/Dock-Edge-Inc-Silver-36-Ihch/dp/B009227OLU/ref=sr\\_1\\_58?keywords=boat%2Brailing&qid=1673302739&sr=8-58&th=1](https://www.amazon.com/Dock-Edge-Inc-Silver-36-Ihch/dp/B009227OLU/ref=sr_1_58?keywords=boat%2Brailing&qid=1673302739&sr=8-58&th=1).  
 24' (H) x 13' (W) Aluminum Handrail w/Flate Base Plate—Safety Grab Bar for Marine, Docks, Decks, Boats, Pools, Hot Tubs. Available in Amazon.com, date first available Sep. 1, 2020 [online], [site visited Nov. 17, 2022], Available from the Internet URL: <https://www.amazon.com/Aluminum-Handrail-Flate-Base-Plate/dp/B01KGSIWVE>.  
 Ihayner Pool Handrail 32x23 Pool Rail 304 Stainless Steel Swimming Pool Stair Rail Pool Hand Rail, available in Amazon.com, date first available Dec. 22, 2022 [online], [site visited Nov. 17, 2022], Available from the internet URL: [https://www.amazon.com/IHAYNER-Pool-Handrail-32x23-Stainless/dp/B09NZT1T65/ref=sr\\_1\\_3?crd=1Y9NKZN9WMW7Y&keywords=IHAYNER+Pool+Handrail+32x23&qid=1673303024&sprefix=ihayner+pool+handrail+32x23+%2Caps%2C434&sr=8-3](https://www.amazon.com/IHAYNER-Pool-Handrail-32x23-Stainless/dp/B09NZT1T65/ref=sr_1_3?crd=1Y9NKZN9WMW7Y&keywords=IHAYNER+Pool+Handrail+32x23&qid=1673303024&sprefix=ihayner+pool+handrail+32x23+%2Caps%2C434&sr=8-3).

\* cited by examiner



**FIG. 1**

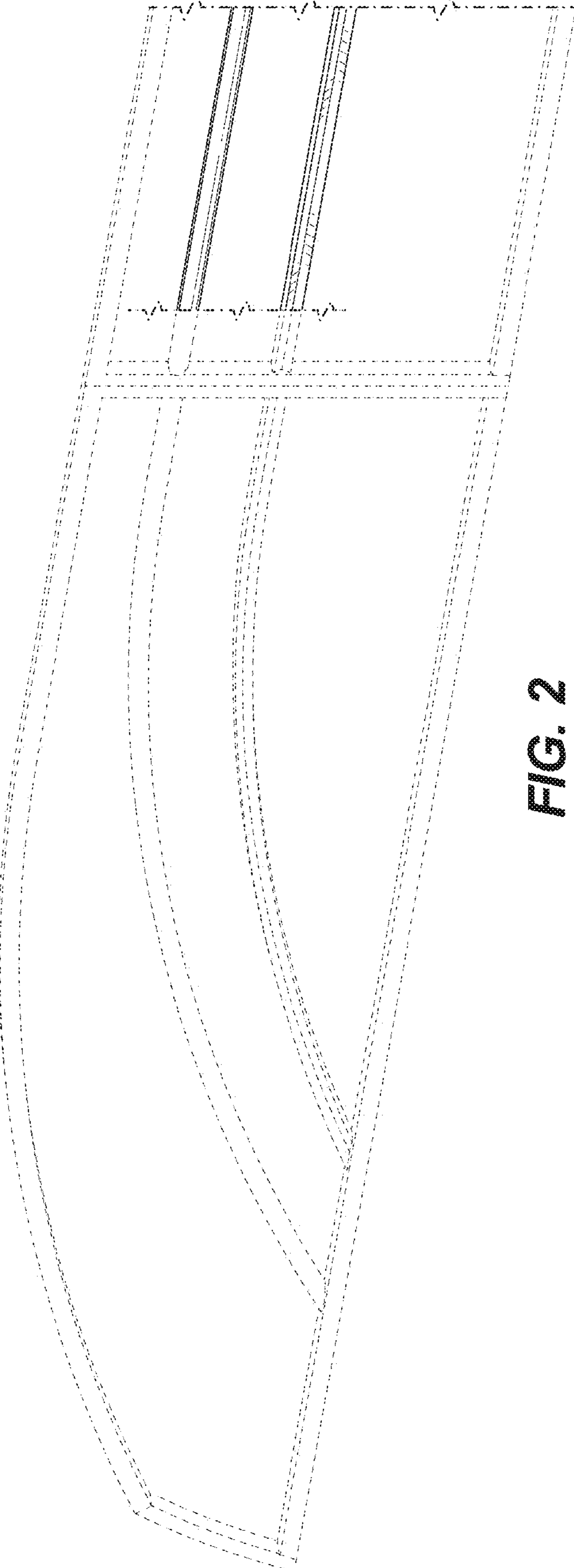
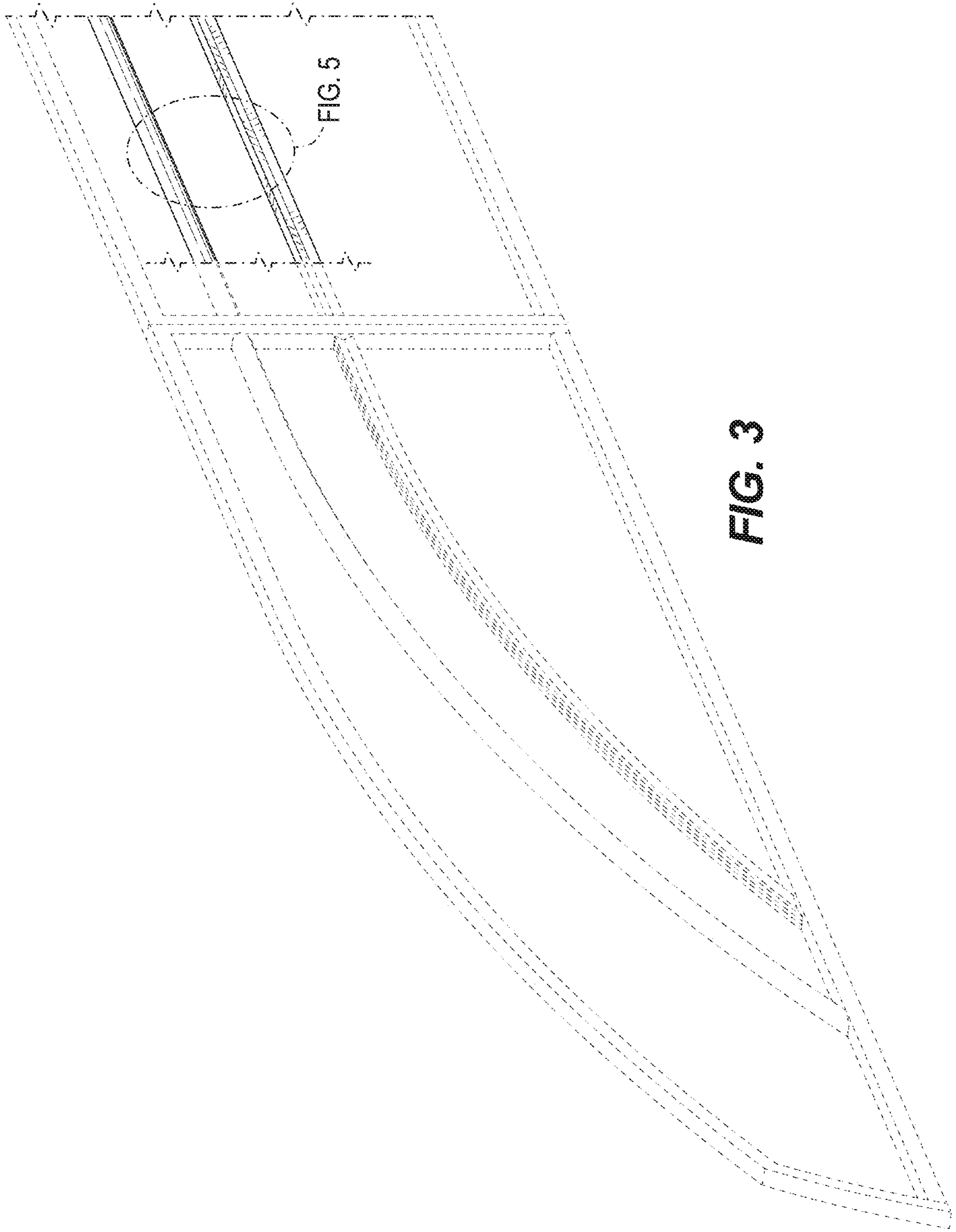


FIG. 2



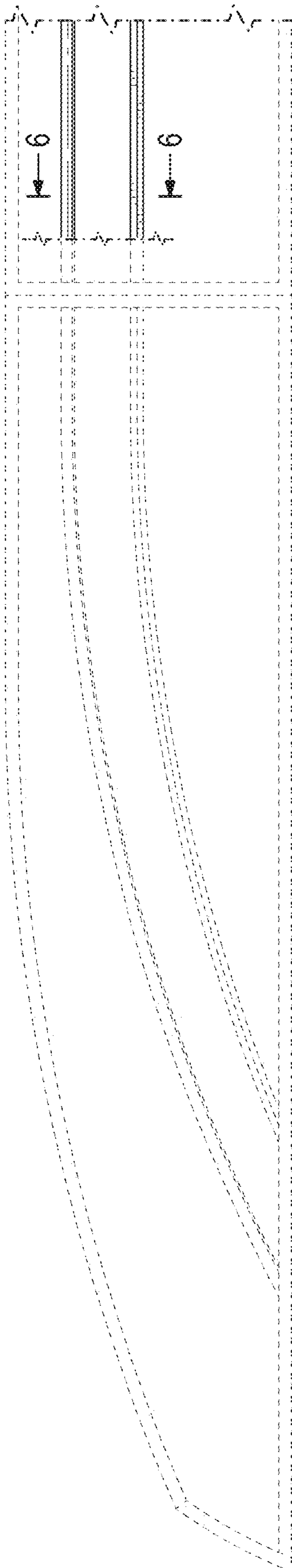


FIG. 4

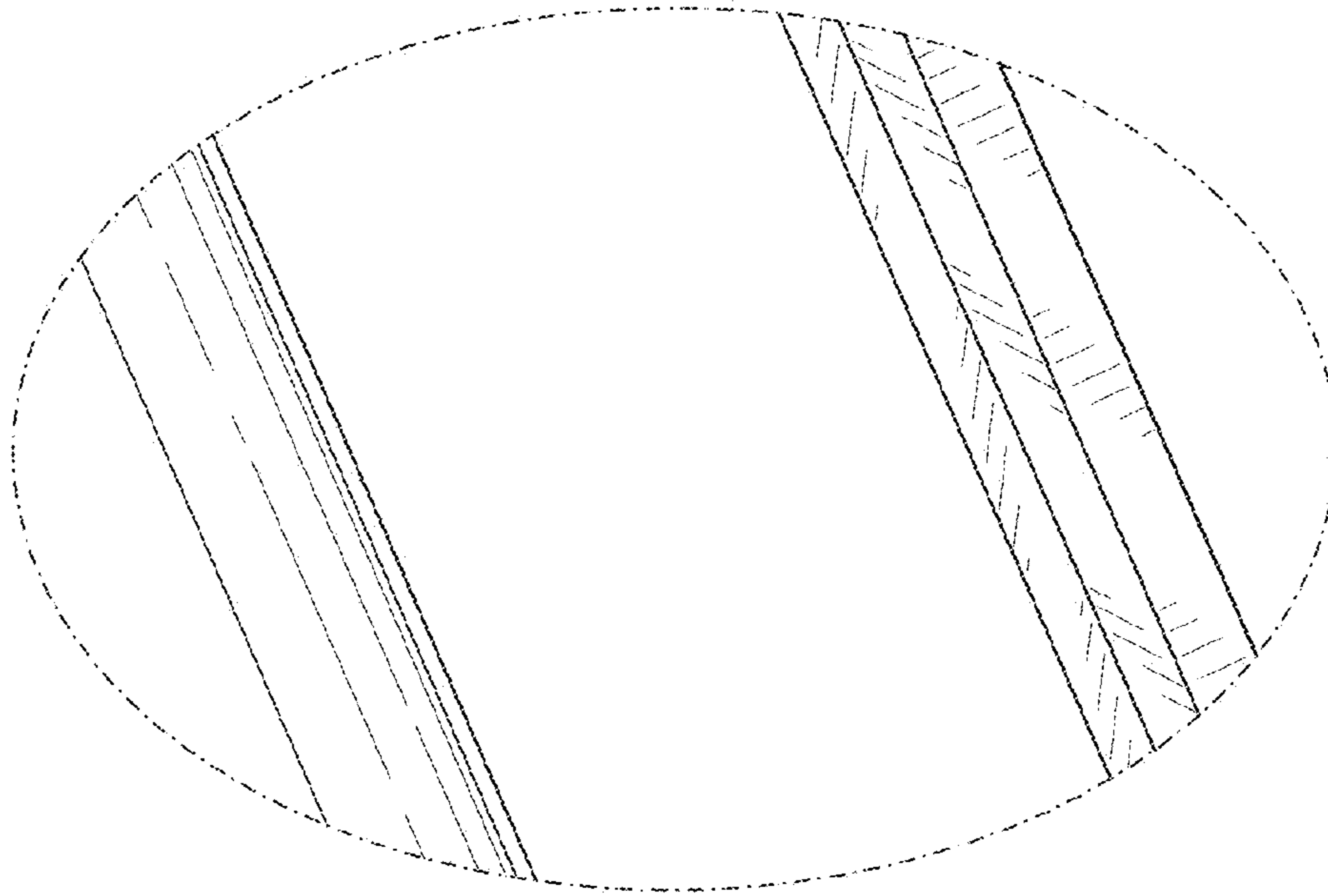


FIG. 5



FIG. 6