



US00D983114S

(12) **United States Design Patent** (10) **Patent No.:** **US D983,114 S**  
**Kleinschuster et al.** (45) **Date of Patent:** **\*\* Apr. 11, 2023**

(54) **VEHICLE WHEEL FRONT FACE**  
(71) Applicant: **Custom Wheel House, LLC**, Santa Fe Springs, CA (US)  
(72) Inventors: **Sean J. Kleinschuster**, Menifee, CA (US); **Max J. Mitchell**, Valley Center, CA (US)  
(73) Assignee: **CUSTOM WHEEL HOUSE, LLC**, Santa Fe Springs, CA (US)  
(\*\*) Term: **15 Years**  
(21) Appl. No.: **29/773,518**

D595,631 S \* 7/2009 Musser ..... D12/211  
D668,199 S \* 10/2012 Tant ..... D12/211  
D714,705 S 10/2014 Kong  
D714,708 S 10/2014 Chung  
D715,211 S \* 10/2014 Gotschke ..... D12/211  
D722,548 S 2/2015 Chung  
D727,829 S 4/2015 Chung  
D733,025 S 6/2015 Chung  
D737,191 S 8/2015 Chung  
D758,279 S 6/2016 Platto et al.  
D758,944 S \* 6/2016 Rolfs ..... D12/209  
D763,163 S 8/2016 Chung  
D783,498 S 4/2017 Platto et al.  
D783,499 S \* 4/2017 Platto ..... D12/211  
D784,237 S \* 4/2017 Platto ..... D12/211  
D788,007 S \* 5/2017 Platto ..... D12/211

(Continued)

(22) Filed: **Mar. 10, 2021**  
(51) **LOC (14) Cl.** ..... **12-16**  
(52) **U.S. Cl.**  
USPC ..... **D12/209**  
(58) **Field of Classification Search**  
USPC ..... D12/204, 208, 209, 210, 211, 213;  
D21/563  
CPC .... B60B 7/02; B60B 7/04; B60B 3/02; B60B  
7/06; B60B 3/04; B60B 3/06; B60B 3/10  
See application file for complete search history.

**OTHER PUBLICATIONS**

YouTube.com, Method Race Wheels | 705 Bead Grip Wheels, published Oct. 12, 2021, [retrieved Jan. 24, 2023]. Retrieved from the internet<<https://www.youtube.com/watch?v=5rD40RWSuEU>> (Year: 2021).\*

*Primary Examiner* — Joseph Kukella  
*Assistant Examiner* — Lavon M. Amerson  
(74) *Attorney, Agent, or Firm* — Reising Ethington, P.C.

(56) **References Cited**

**U.S. PATENT DOCUMENTS**

D103,778 S \* 3/1937 Hunt ..... D12/209  
D250,704 S \* 1/1979 Taitani ..... D12/211  
D273,003 S \* 3/1984 Svanback ..... D12/211  
D288,431 S \* 2/1987 Arai ..... D12/211  
D361,976 S \* 9/1995 Echazabal ..... D12/211  
D384,629 S \* 10/1997 Nagashima ..... D12/209  
D388,760 S \* 1/1998 Sacco ..... D12/209  
D401,899 S \* 12/1998 Pfeiffer ..... D12/209  
D486,112 S \* 2/2004 Lecher ..... D12/211  
D487,881 S \* 3/2004 Laengerer ..... D12/209  
D491,510 S \* 6/2004 Koizumi ..... D12/209  
D527,327 S \* 8/2006 Laengerer ..... D12/211  
D569,778 S 5/2008 Kim

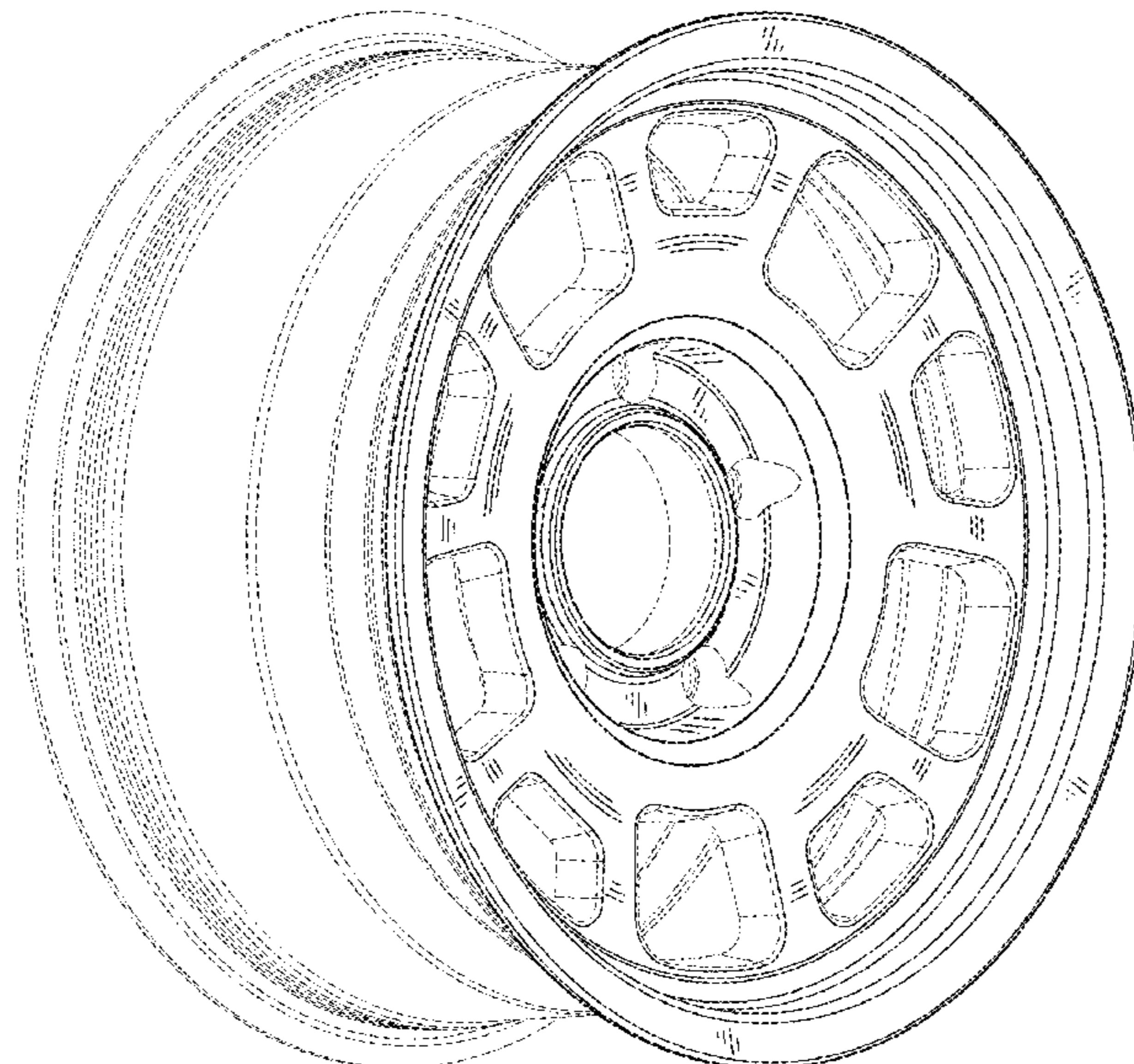
(57) **CLAIM**

The ornamental design for a vehicle wheel front face, as shown and described.

**DESCRIPTION**

FIG. 1 is a front perspective view of the vehicle wheel front face;  
FIG. 2 is a front elevation view thereof; and,  
FIG. 3 is a side elevation view thereof.  
In the drawings, the broken lines depict environmental subject matter only and do not form any part of the claimed design.

**1 Claim, 3 Drawing Sheets**



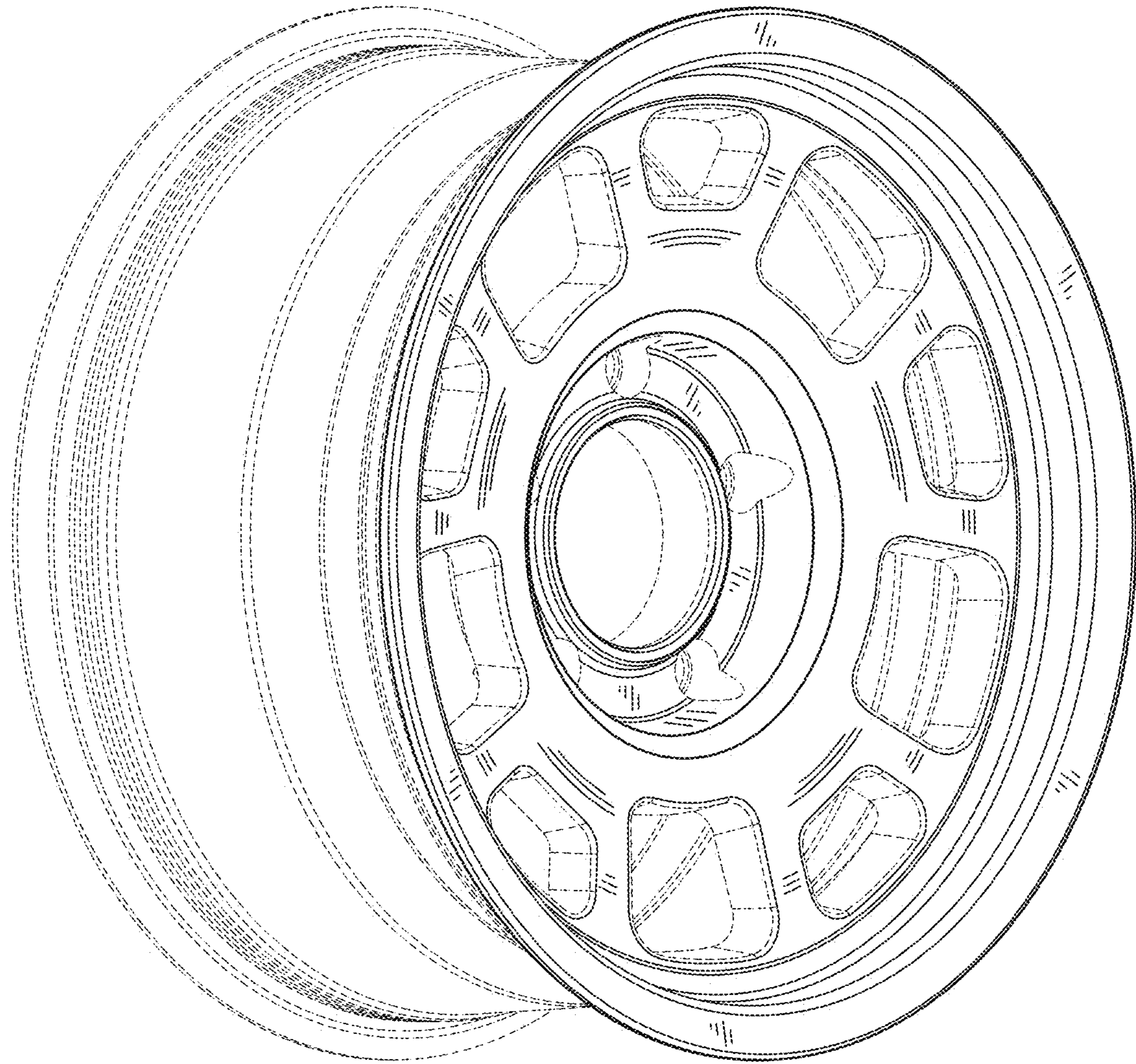
(56)

**References Cited**

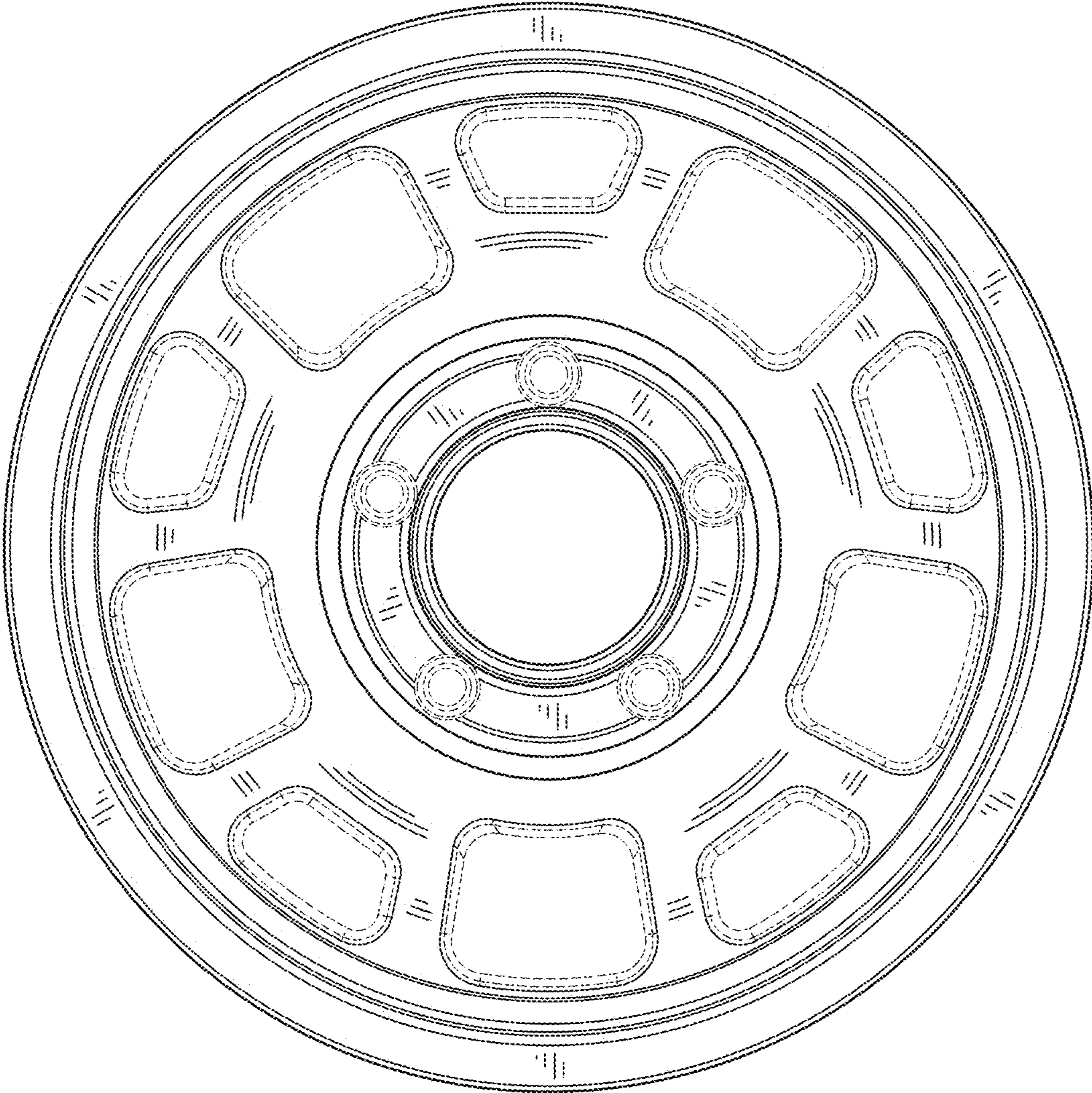
U.S. PATENT DOCUMENTS

D790,427 S	6/2017	Palana	
D800,630 S *	10/2017	Tran .....	D12/209
D806,626 S	1/2018	Tran	
D806,630 S	1/2018	McMath	
D833,950 S	11/2018	Sempek	
D837,120 S *	1/2019	Caldwell .....	D12/209
D848,927 S	5/2019	Kleinschuster	
D902,822 S *	11/2020	Carbis .....	D12/209
D943,484 S *	2/2022	Sempek .....	D12/209
D960,064 S *	8/2022	Williams .....	D12/209

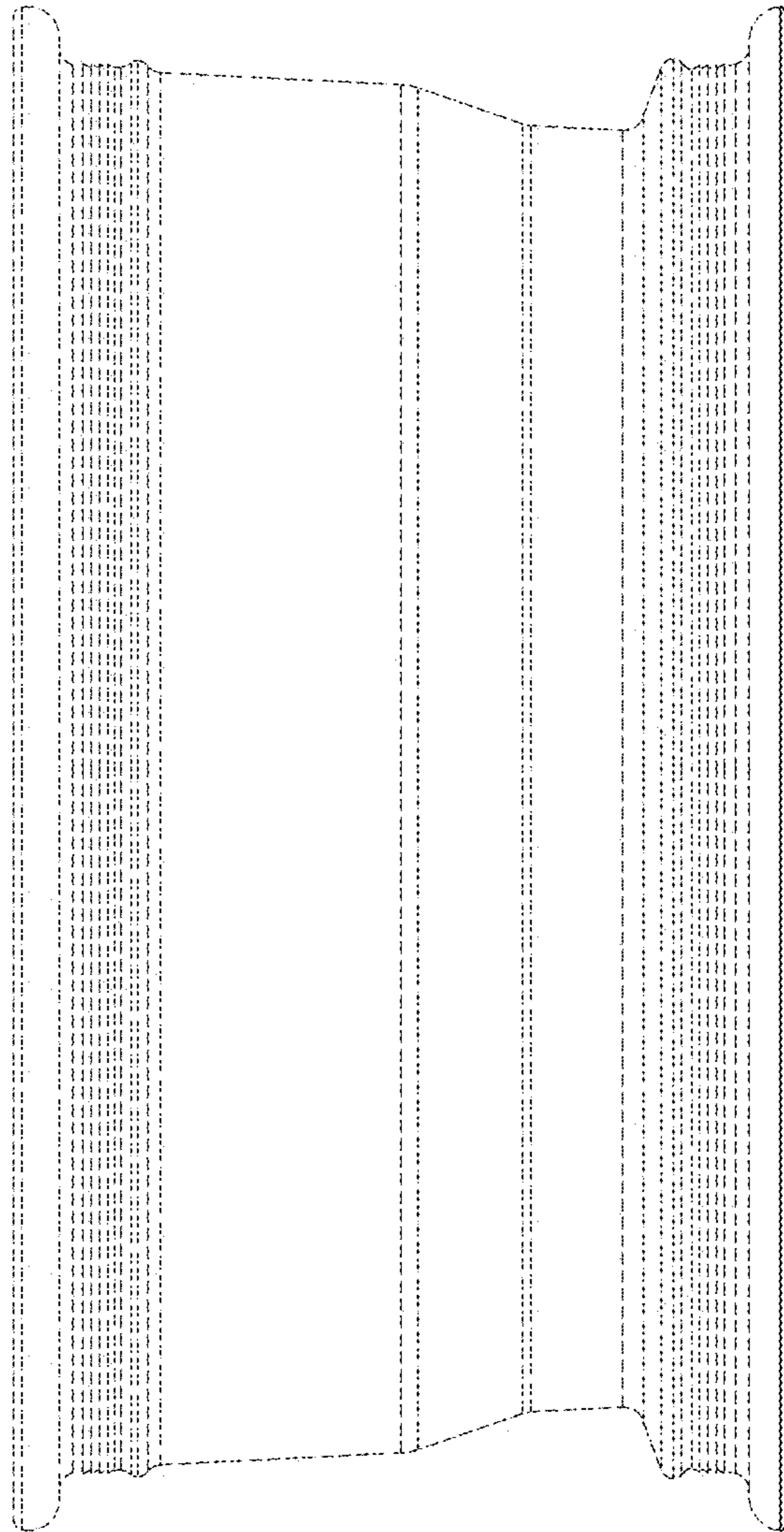
\* cited by examiner



**FIG. 1**



**FIG. 2**



***FIG. 3***