



US00D983113S

(12) **United States Design Patent**  
**Price et al.**

(10) **Patent No.:** **US D983,113 S**  
(45) **Date of Patent:** **\*\* Apr. 11, 2023**

- (54) **VEHICLE FLOOR MAT**
- (71) Applicant: **THERMOFLEX CORP.**, Waukegan, IL (US)
- (72) Inventors: **Robert Price**, Mettawa, IL (US); **Jacob Price**, Winnetka, IL (US); **David Reband**, Antioch, IL (US)
- (73) Assignee: **THERMOFLEX CORP.**, Waukegan, IL (US)
- (\*\*) Term: **15 Years**
- (21) Appl. No.: **29/788,552**
- (22) Filed: **Jun. 22, 2021**
- (51) **LOC (14) Cl.** ..... **12-16**
- (52) **U.S. Cl.**  
USPC ..... **D12/203**
- (58) **Field of Classification Search**  
USPC ..... D12/203, 221; D6/582, 583, 586, 592, D6/594  
CPC ..... B60N 3/044; B60N 3/04; B60R 13/01  
See application file for complete search history.

D793,933 S \* 8/2017 Alesi ..... D12/203  
D799,392 S \* 10/2017 Lu ..... D12/203  
D800,041 S \* 10/2017 Alesi ..... D12/203

(Continued)

**OTHER PUBLICATIONS**

Audi Floor Mats, Mar. 25, 2017, Amazon [online], [Site Visit Nov. 15, 2022], URL: <https://www.amazon.com/Genuine-Audi-Accessories-Front-All-Weather/dp/B06XVH5DZM> (2017) (Year: 2017).\*

(Continued)

*Primary Examiner* — Calvin E Vansant  
*Assistant Examiner* — Giang Hoang Tran  
(74) *Attorney, Agent, or Firm* — Grossman, Tucker, Perreault & Pfleger, PLLC

(57) **CLAIM**

The ornamental design for a vehicle floor mat, as shown and described.

**DESCRIPTION**

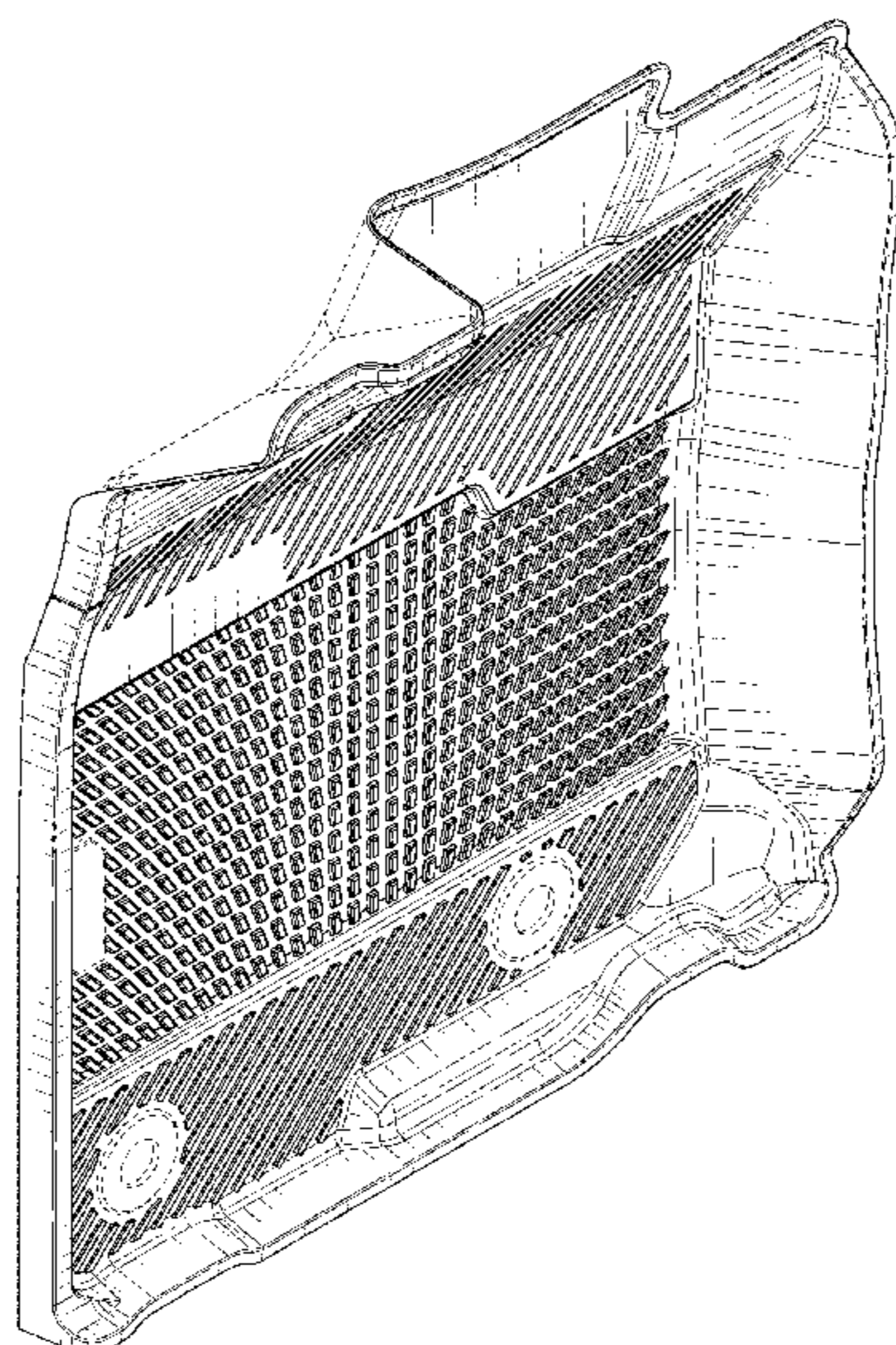
FIG. 1 is a perspective view of the vehicle floor mat of an embodiment showing our new design;  
FIG. 2 is a top plan view thereof;  
FIG. 3 is a bottom plan view thereof;  
FIG. 4 is a left elevation view thereof;  
FIG. 5 is a right elevation view thereof;  
FIG. 6 is a front elevation view thereof;  
FIG. 7 is a rear elevation view thereof;  
FIG. 8 is a cross-sectional view taken along line 8-8 of FIG. 2;  
FIG. 9 is a cross-sectional view taken along line 9-9 of FIG. 2; and,  
FIG. 10 is a cross-sectional view taken along line 10-10 of FIG. 2.  
The broken lines shown in FIGS. 1-10 are included to show portions of the vehicle floor mat that form no part of the claimed design.

**1 Claim, 7 Drawing Sheets**

(56) **References Cited**

**U.S. PATENT DOCUMENTS**

D178,354 S *	7/1956	Friedman	.....	D12/203
D313,789 S *	1/1991	Thundercloud	.....	D12/203
D417,182 S *	11/1999	Vitoorapakorn	.....	D12/221
D432,478 S *	10/2000	Lu	.....	D12/203
D514,493 S *	2/2006	MacNeil	.....	D12/203
D542,203 S *	5/2007	Kraines	.....	D12/203
D626,485 S *	11/2010	Lu	.....	D12/203
D692,362 S *	10/2013	Bobo	.....	D12/203
D697,857 S *	1/2014	Kingsbury	.....	D12/203
D698,718 S *	2/2014	Kingsbury	.....	D12/203
8,967,697 B1 *	3/2015	Yang	.....	B60N 3/044 296/97.23
D782,382 S *	3/2017	Jaimes	.....	D12/203
D793,317 S *	8/2017	Alesi	.....	D12/203



(56)

**References Cited**

U.S. PATENT DOCUMENTS

D800,042	S	*	10/2017	Alesi	.....	D12/203
D800,043	S	*	10/2017	Alesi	.....	D12/203
D800,624	S	*	10/2017	Alesi	.....	D12/203
D804,386	S	*	12/2017	Tan	.....	D12/203
D836,518	S	*	12/2018	Lu	.....	D12/203
D853,926	S	*	7/2019	Yang	.....	D12/203
D873,754	S	*	1/2020	Johnson	.....	D12/203
D892,023	S	*	8/2020	Price	.....	D12/221
D926,653	S	*	8/2021	Yang	.....	D12/203
D927,382	S	*	8/2021	Yang	.....	D12/203
D929,286	S	*	8/2021	Chang	.....	D12/203
D935,972	S	*	11/2021	Lu	.....	D12/203
D937,168	S	*	11/2021	Chang	.....	D12/203
D941,722	S	*	1/2022	Chang	.....	D12/203
D943,480	S	*	2/2022	Yang	.....	D12/203
D943,481	S	*	2/2022	Yang	.....	D12/203
2012/0034409	A1	*	2/2012	Price	.....	B29C 45/14065 425/546
2017/0182920	A1	*	6/2017	Reband	.....	B60N 3/048
2021/0237635	A1	*	8/2021	Yang	.....	B60N 3/044

OTHER PUBLICATIONS

Husky Liners, Jun. 19, 2019, Amazon [online],[Site Visit Nov. 15, 2022],URL: Amazon.com: Husky Liners X-act Contour Series | Front & 2nd Seat Floor Liners—Black | 53388 | Fits 2017-2022 Ford F-250/F-350, 2017 & 2021-2022 Ford F-450 Super Duty Crew Cab w/ Factory Storage Box 3 Pcs : Everything Else(2019) (Year: 2019).\*

\* cited by examiner



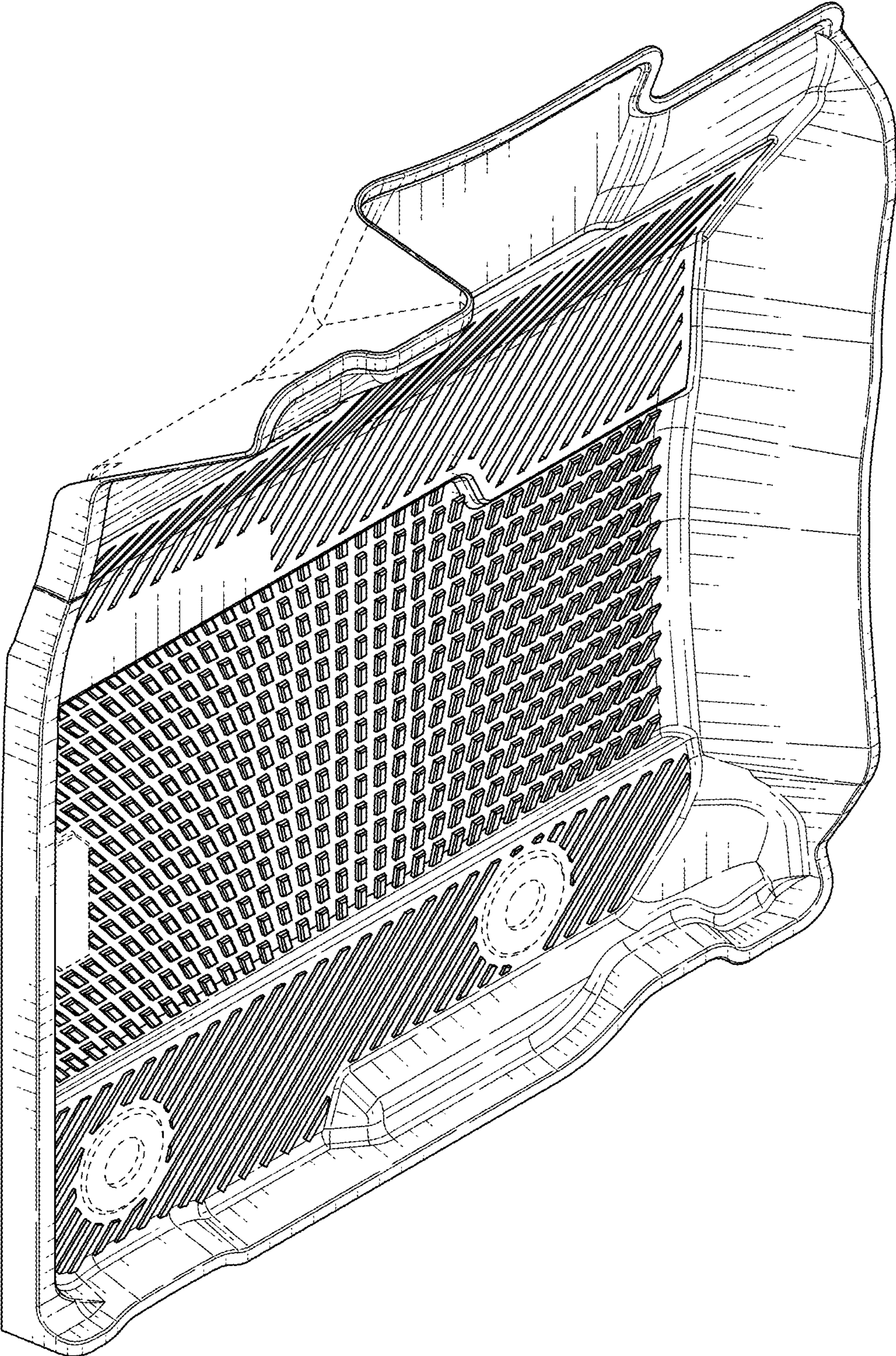


FIG. 1



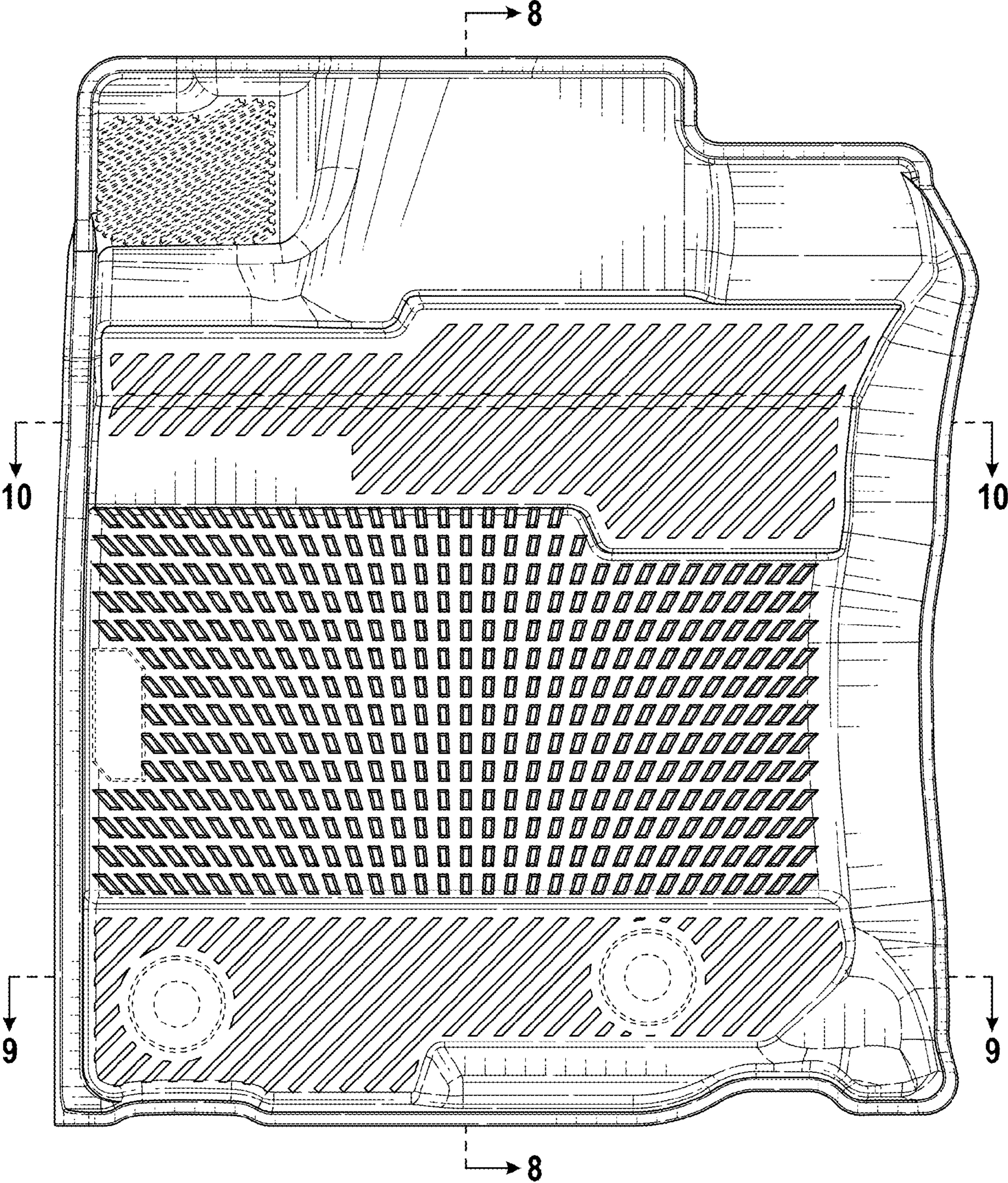


FIG. 2



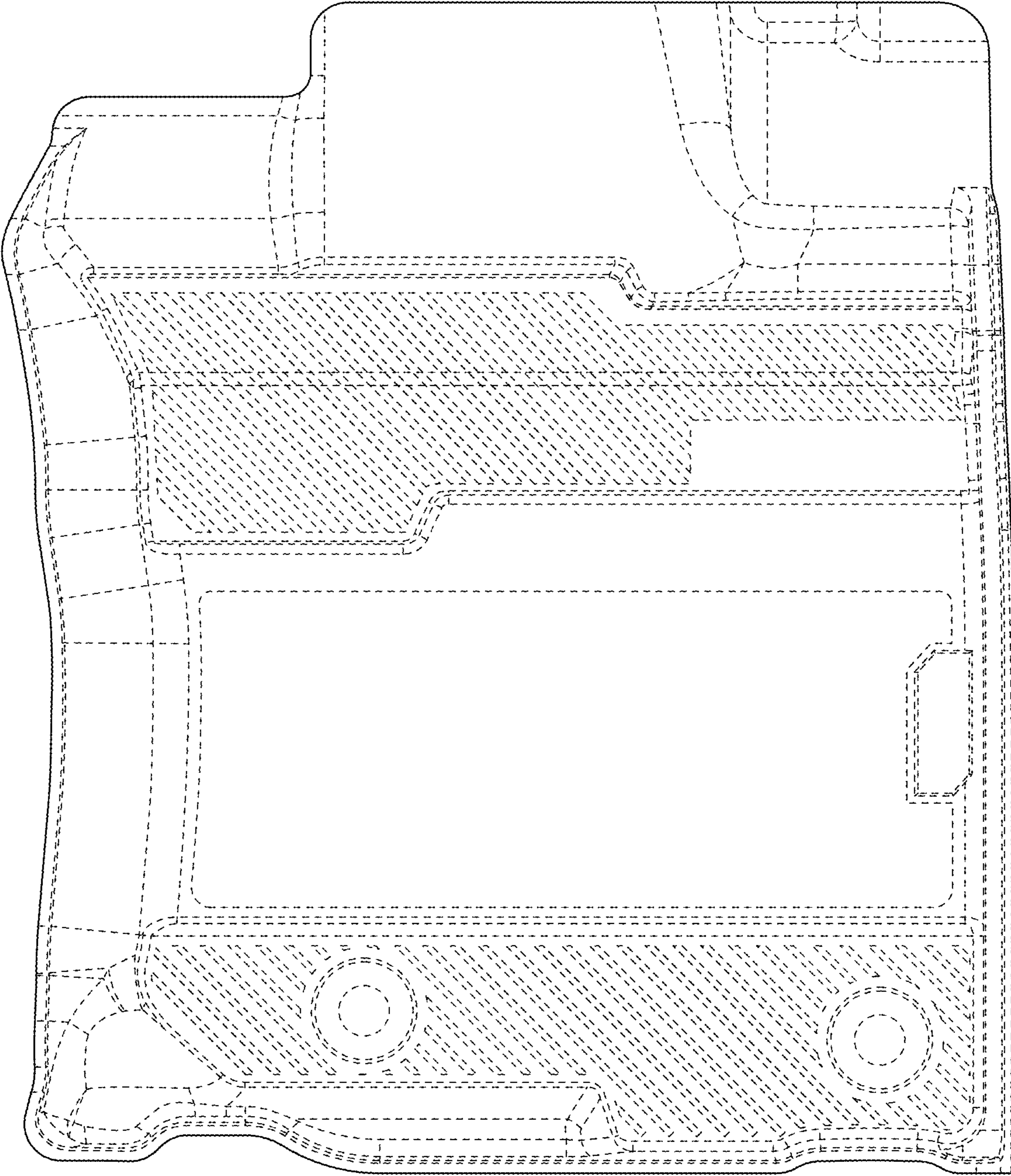


FIG. 3

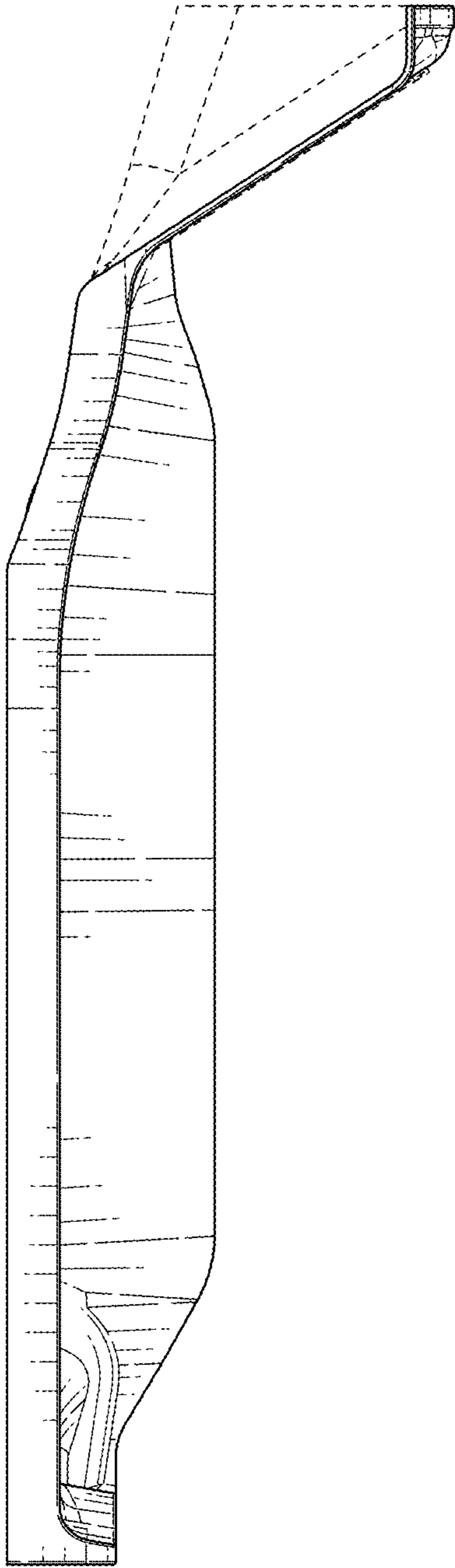


FIG. 4

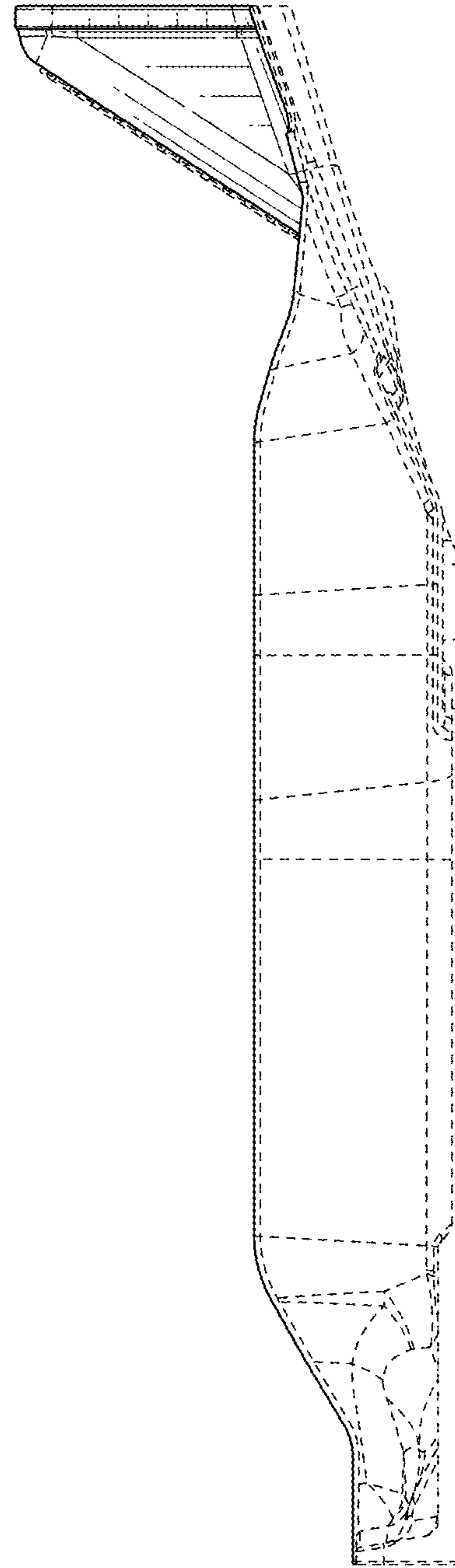


FIG. 5

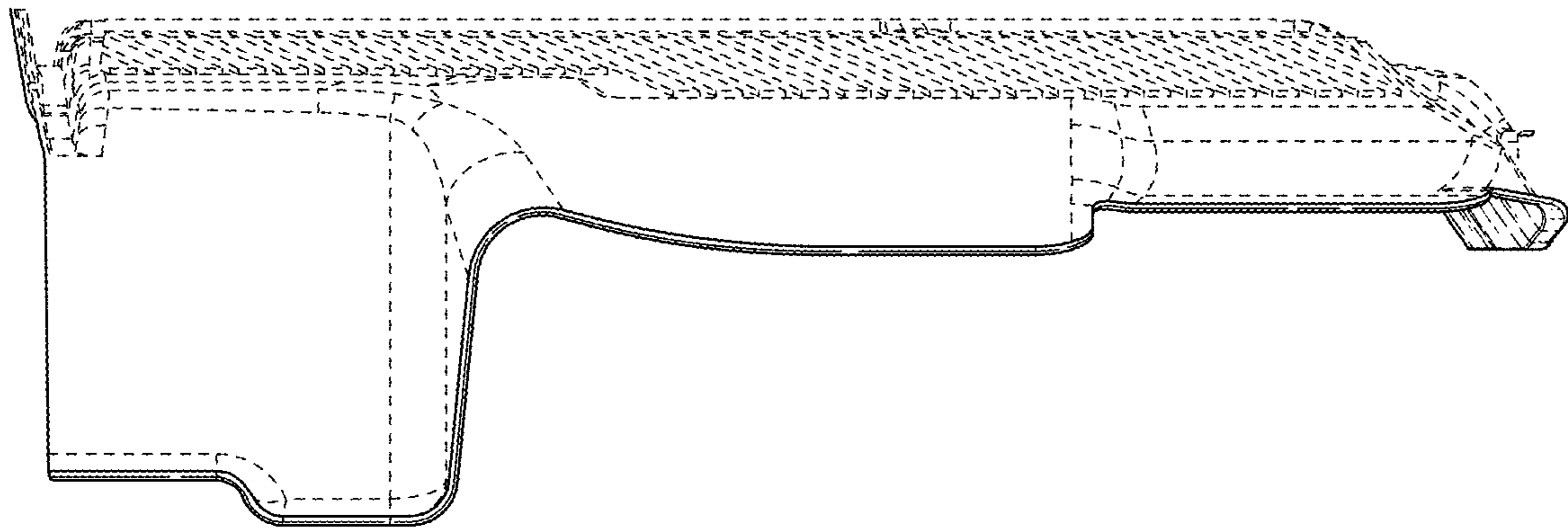


FIG. 6

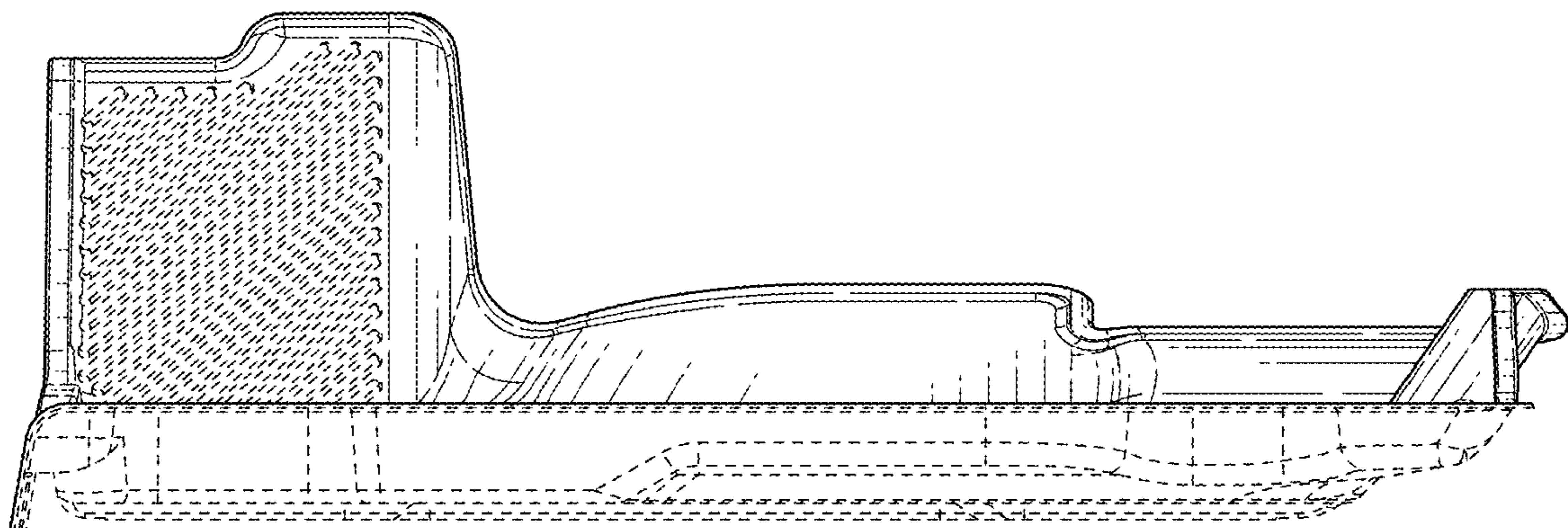


FIG. 7

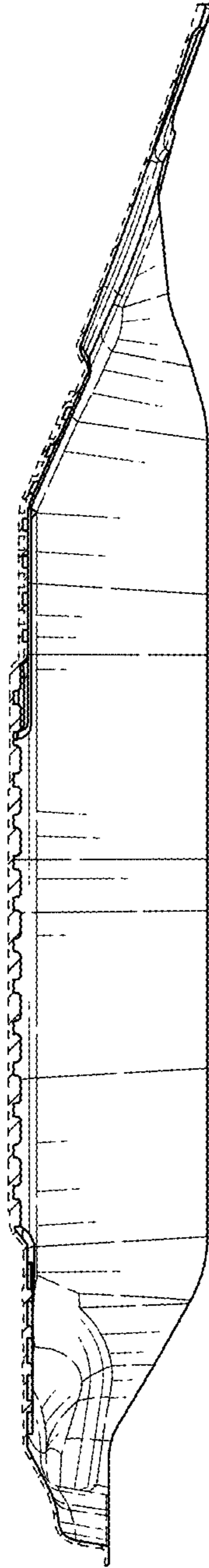


FIG. 8



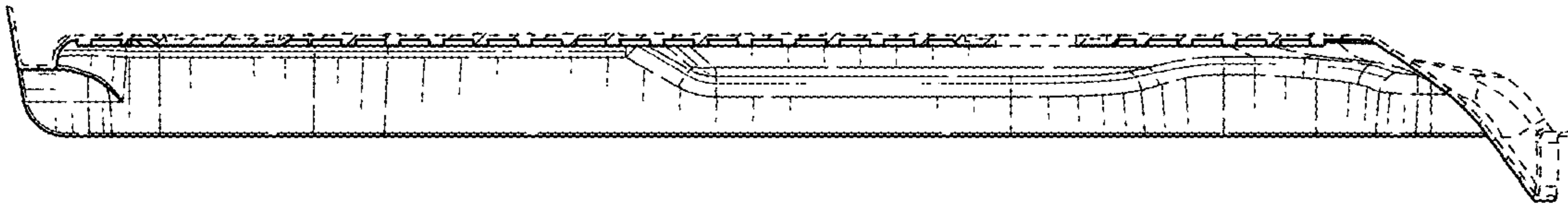


FIG. 9

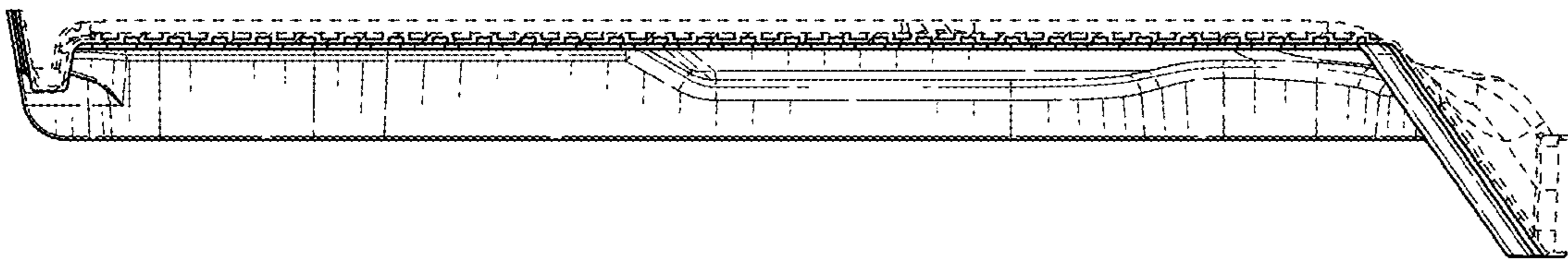


FIG. 10