



US00D983110S

(12) **United States Design Patent** (10) **Patent No.:** **US D983,110 S**  
**Li** (45) **Date of Patent:** **\*\* Apr. 11, 2023**

(54) **BIKE BRAKE PAD**  
(71) Applicant: **GUANG ZHOU FENG XIN ZI TECHNOLOGY CO., LTD,**  
Guangzhou (CN)  
(72) Inventor: **Gongke Li, Qingyuan (CN)**  
(73) Assignee: **GUANG ZHOU FENG XIN ZI TECHNOLOGY CO., LTD,**  
Guangzhou (CN)

D397,071 S \* 8/1998 Hsueh ..... D12/180  
D426,181 S \* 6/2000 Everett ..... D12/180  
D473,502 S \* 4/2003 Everett ..... D12/180  
D595,626 S \* 7/2009 Huang ..... D12/180  
D603,766 S \* 11/2009 Huang ..... D12/180  
D641,670 S 7/2011 Thomas et al.  
D685,304 S 7/2013 Moore  
D724,506 S \* 3/2015 Bernasconi ..... D12/180

(\*\*) Term: **15 Years**

(21) Appl. No.: **29/851,240**

(22) Filed: **Aug. 26, 2022**

(51) **LOC (14) Cl.** ..... **12-16**

(52) **U.S. Cl.**  
USPC ..... **D12/180**

(58) **Field of Classification Search**  
USPC ..... D12/111, 114, 123, 160, 174, 179, 180,  
D12/400

CPC .... B62L 1/005; B62L 1/10; B62L 1/12; B62L  
1/16; B62L 3/023; F16D 65/0006; F16D  
65/092; F16D 65/14; F16D 65/16; F16D  
65/18; F16D 65/22; F16D 65/38; F16D  
65/56; F16D 65/567; F16D 55/22; F16D  
55/226; F16D 55/2262

See application file for complete search history.

(56) **References Cited**

**U.S. PATENT DOCUMENTS**

D260,983 S \* 9/1981 Everett ..... D12/180  
D281,874 S \* 12/1985 King ..... D12/180  
D295,847 S \* 5/1988 Everett ..... D12/180  
D310,199 S \* 8/1990 Herner ..... D12/180  
D311,895 S \* 11/1990 Everett ..... 188/24.11  
D329,036 S \* 9/1992 Yoshigai ..... D12/179  
D379,344 S \* 5/1997 Everett ..... D12/180

**OTHER PUBLICATIONS**

Hapleby, Published Jan. 15, 2020 [online], [retrieved on Dec. 11, 2022]. Retrieved from the Internet: <https://www.amazon.com/Hyccinth-Premium-Professional-Bicycle-Mountain/dp/B0774M1RRB> (Year: 2020).\*

\* cited by examiner

*Primary Examiner* — Cary M Robinson

*Assistant Examiner* — Adam C Mager

(74) *Attorney, Agent, or Firm* — Daniel M. Cohn;  
Howard M. Cohn

(57) **CLAIM**

The ornamental design for a bike brake pad, as shown and described.

**DESCRIPTION**

FIG. 1 is a perspective view of a bike brake pad showing my new design;

FIG. 2 is another perspective view thereof;

FIG. 3 is a front elevational view thereof;

FIG. 4 is a rear elevational view thereof;

FIG. 5 is a left side elevational view thereof;

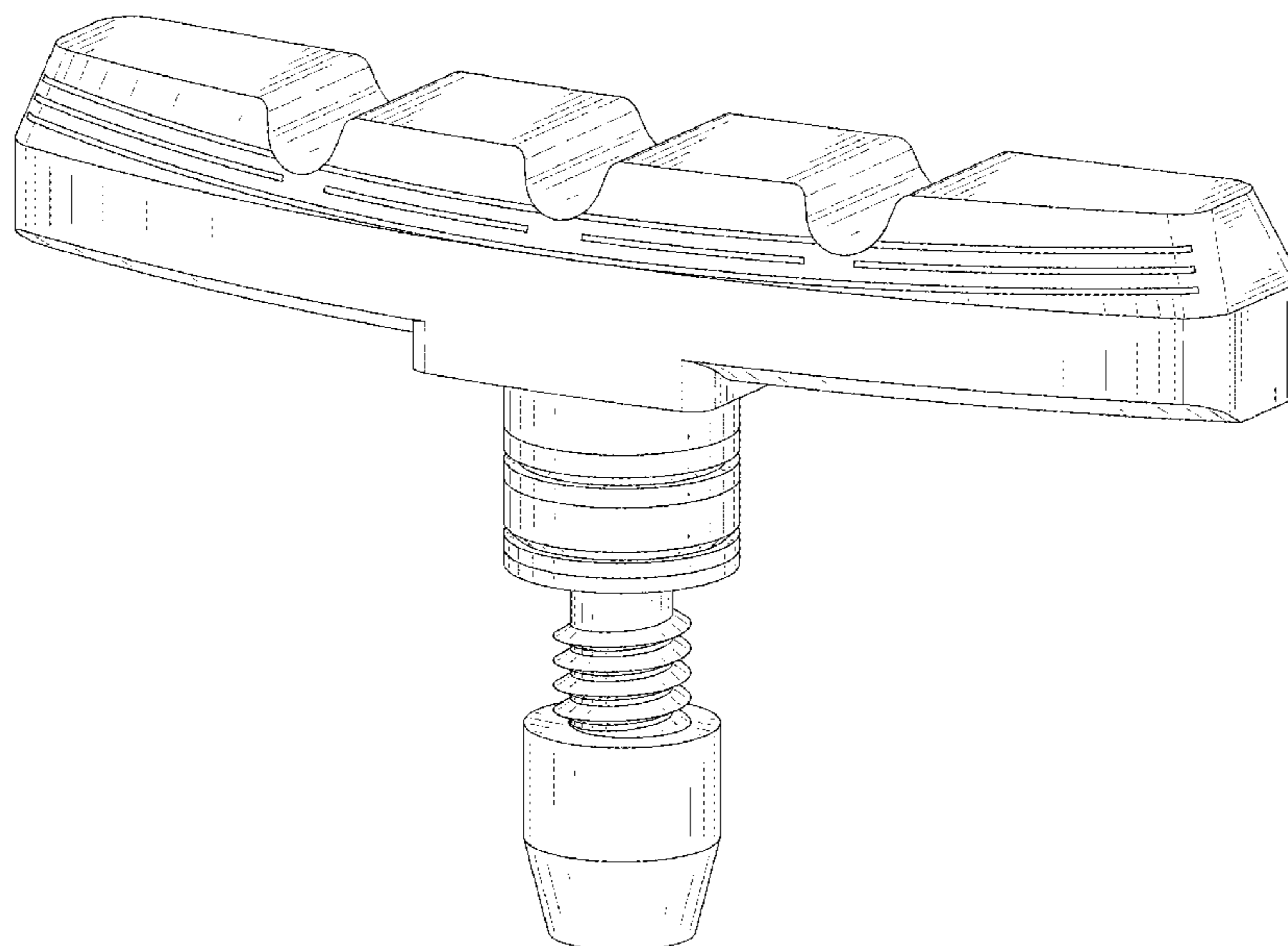
FIG. 6 is a right side elevational view thereof;

FIG. 7 is a top plan view thereof; and,

FIG. 8 is a bottom plan view thereof.

The broken lines in the drawings depict portions of the bike brake pad that form no part of the claimed design.

**1 Claim, 8 Drawing Sheets**



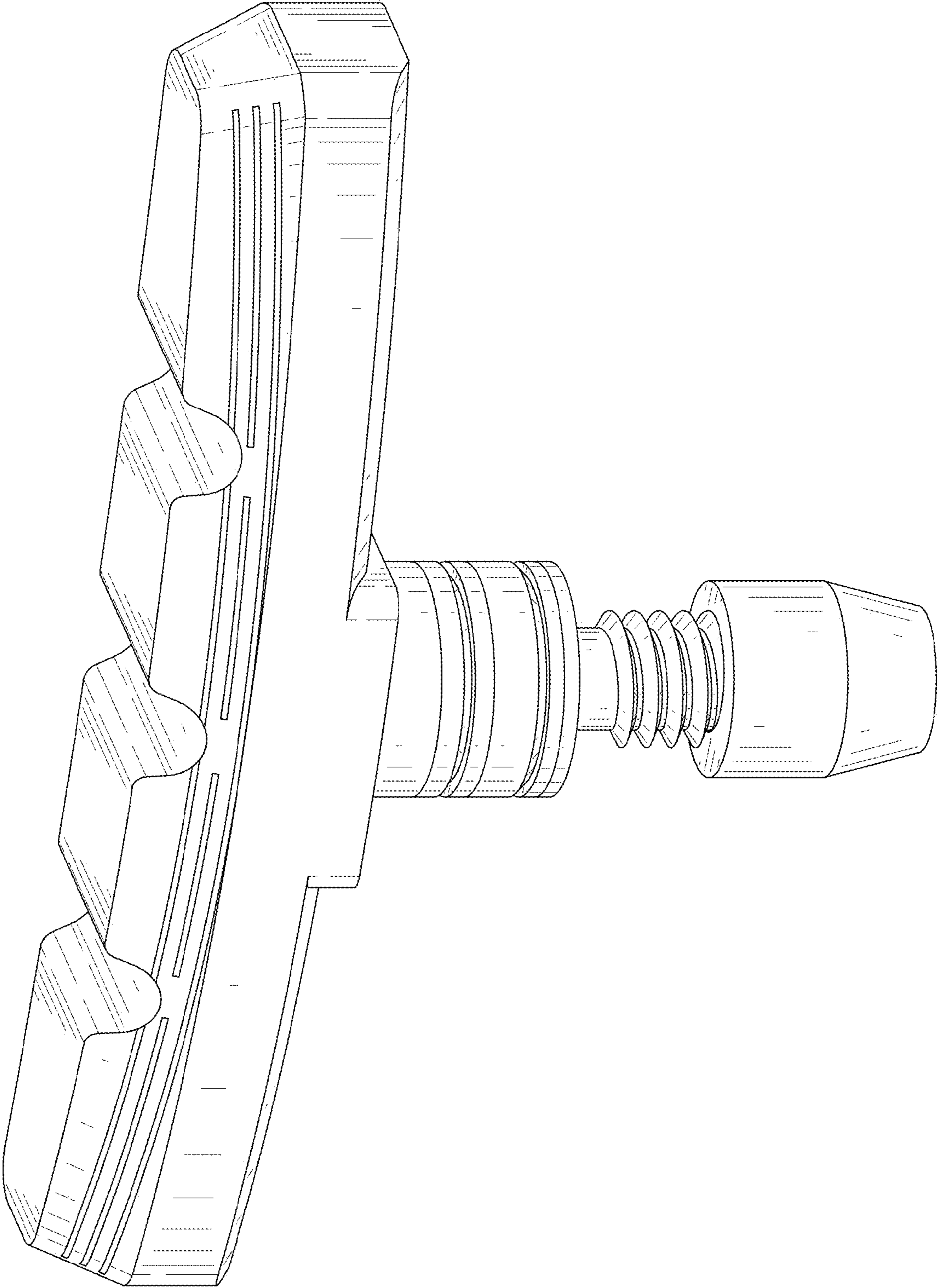


FIG. 1

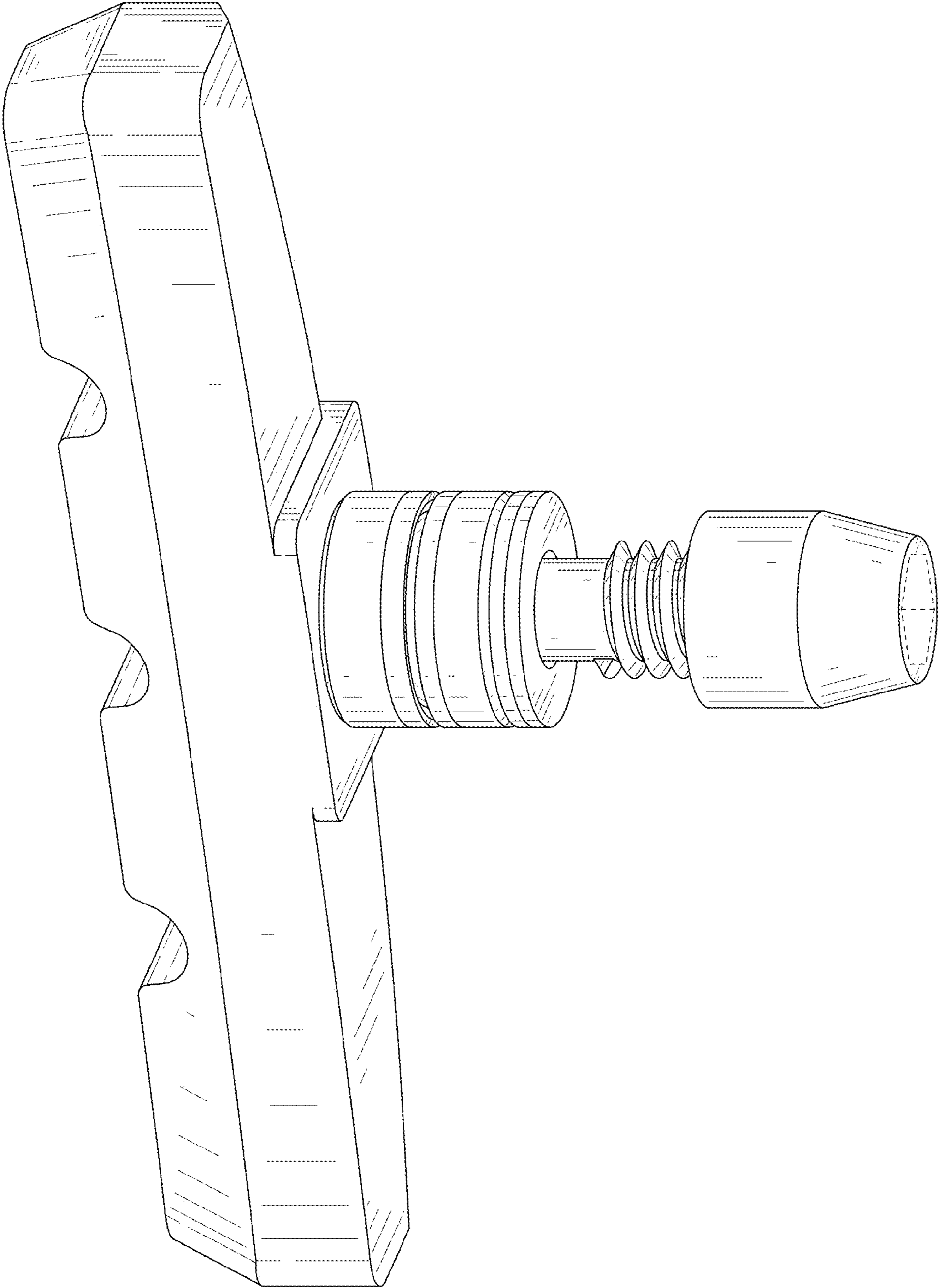


FIG. 2

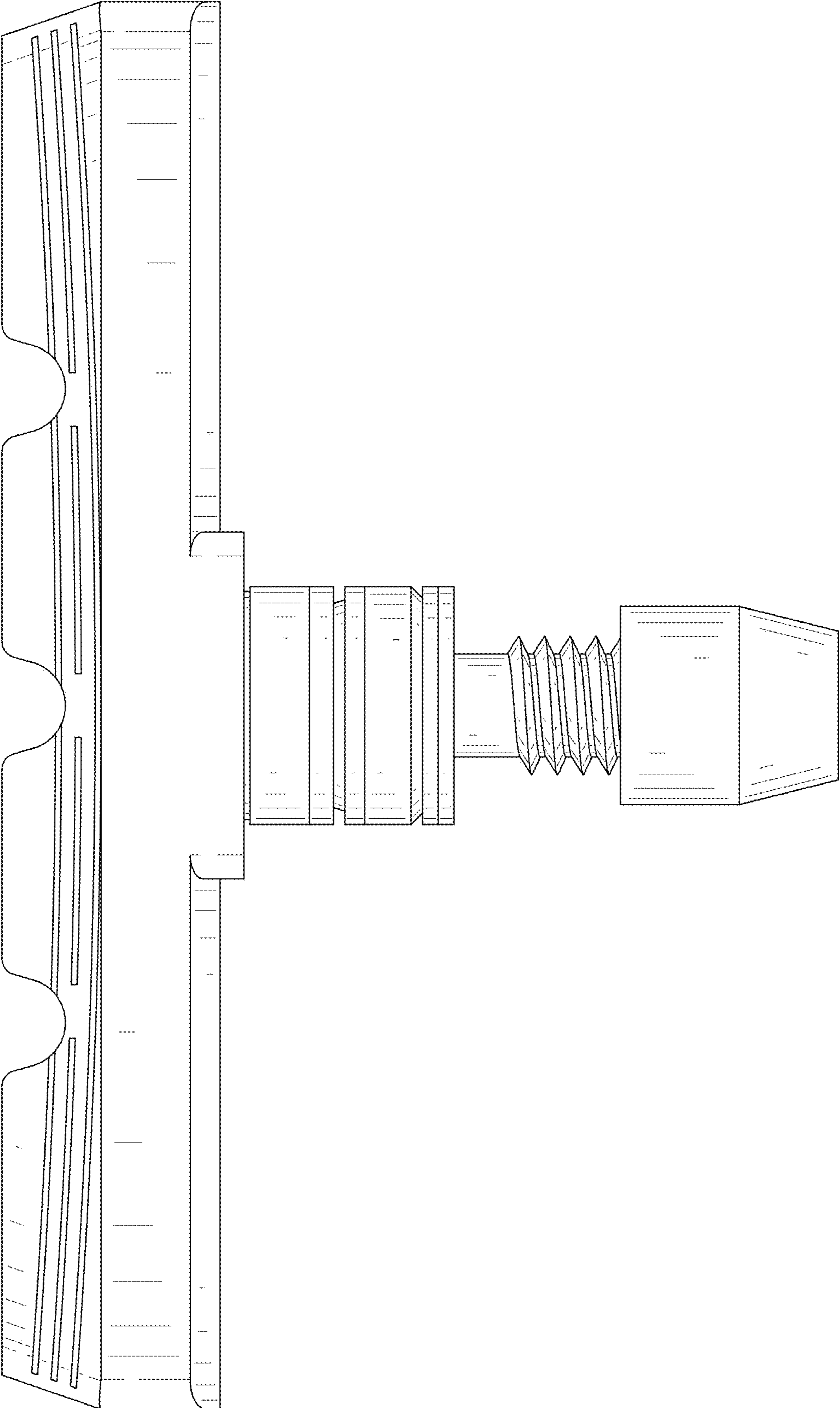


FIG. 3

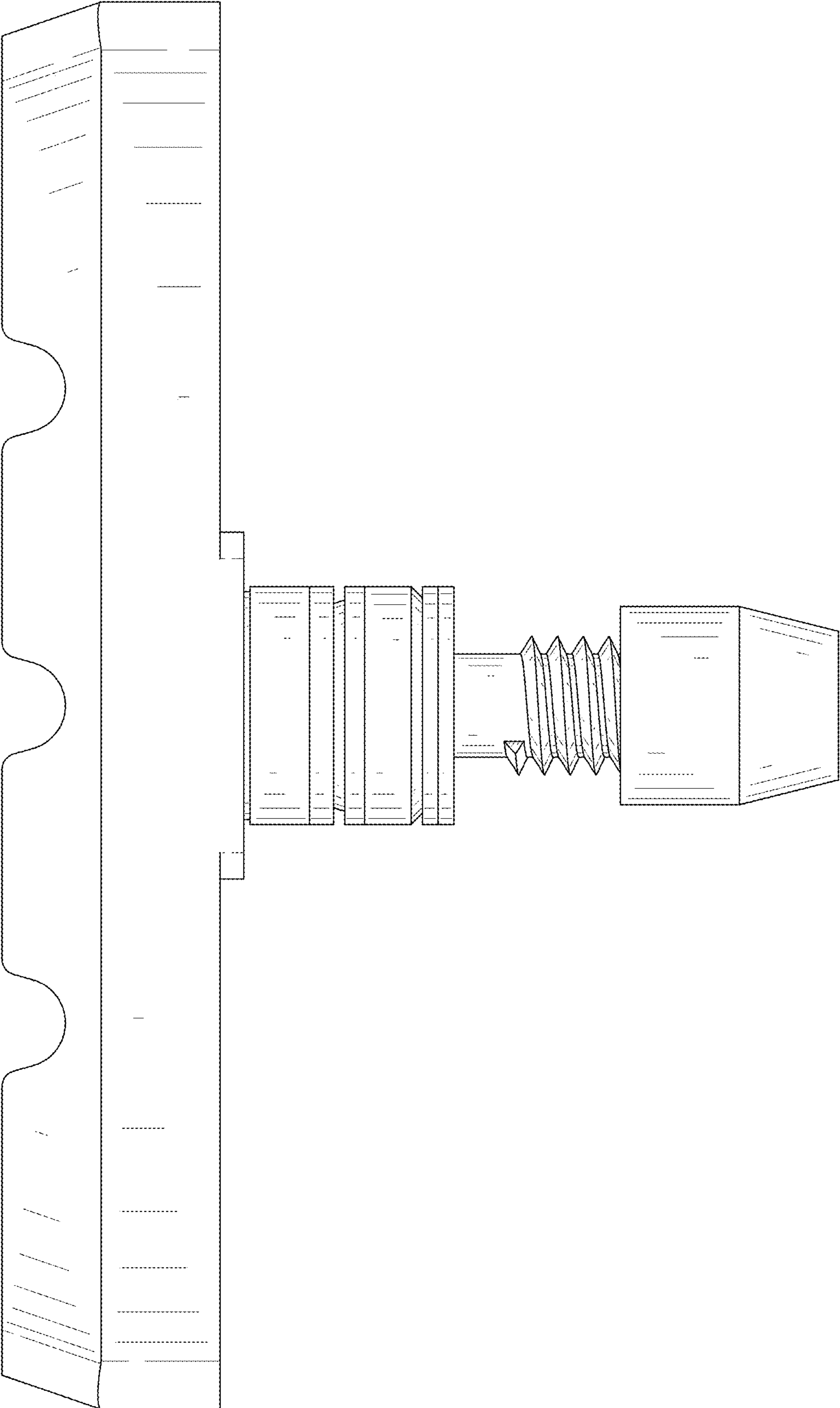


FIG. 4

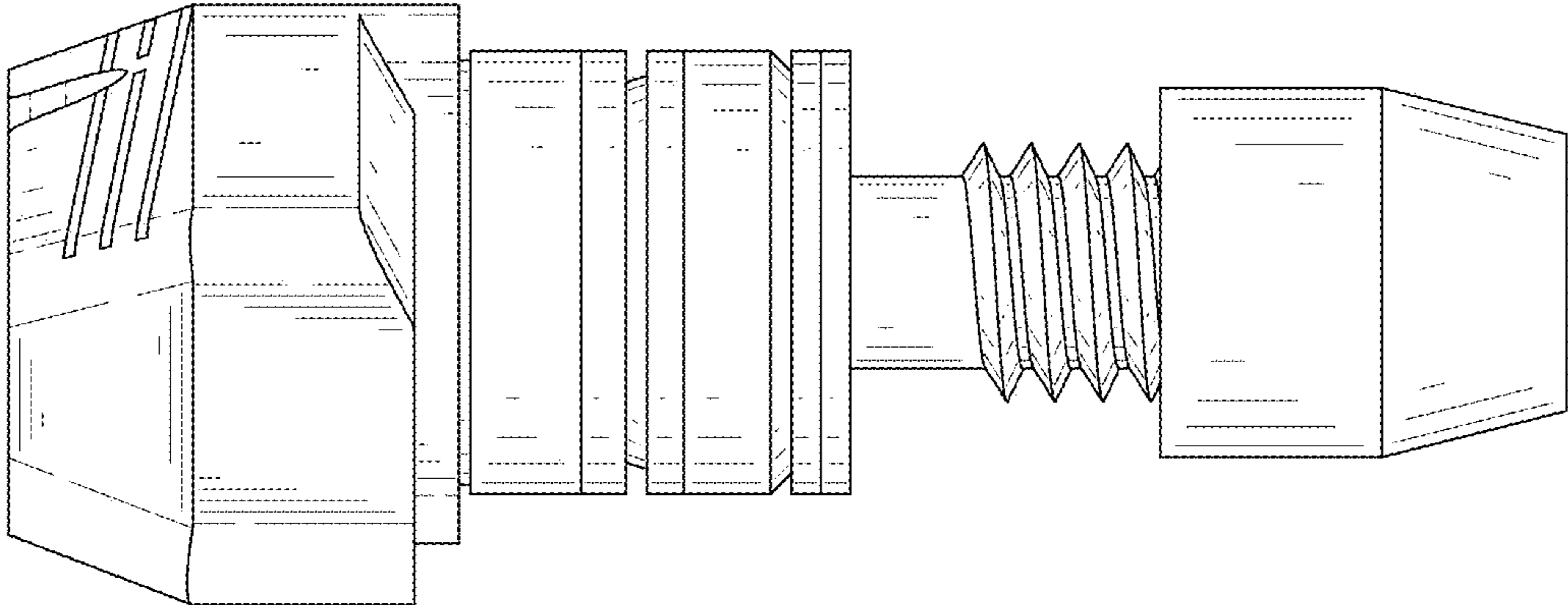


FIG. 5

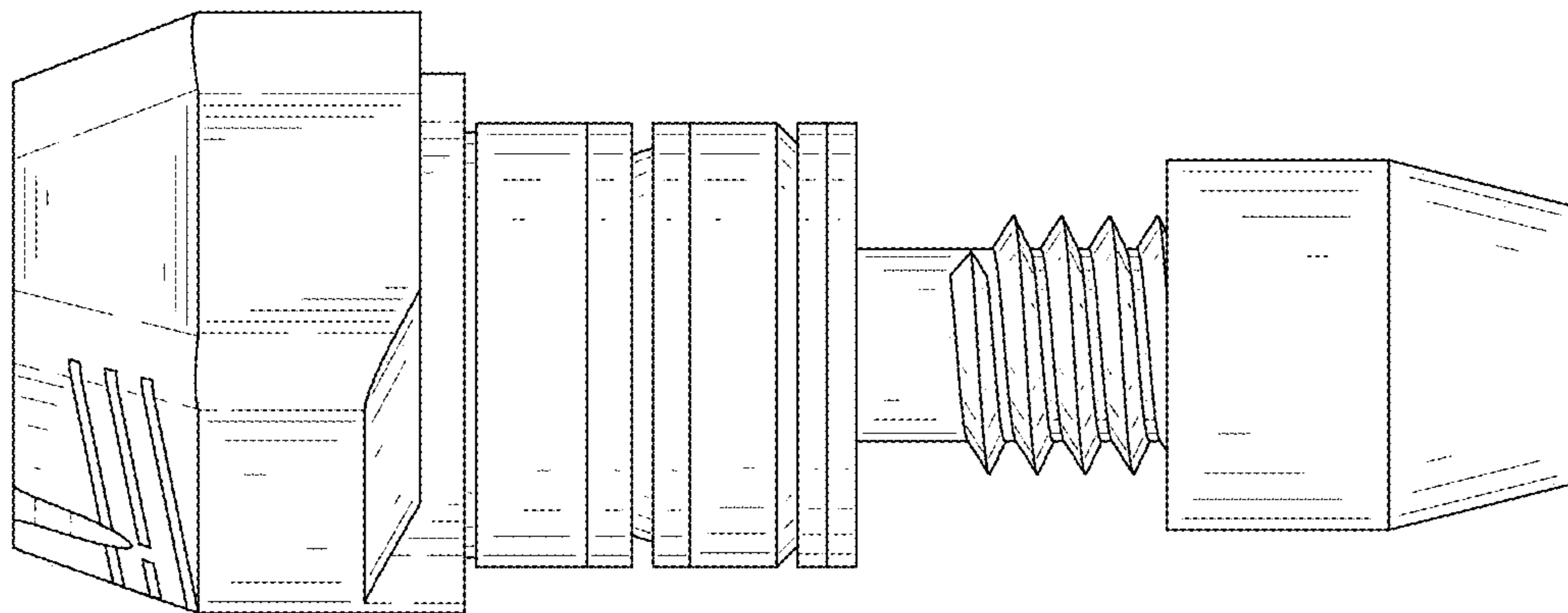


FIG. 6

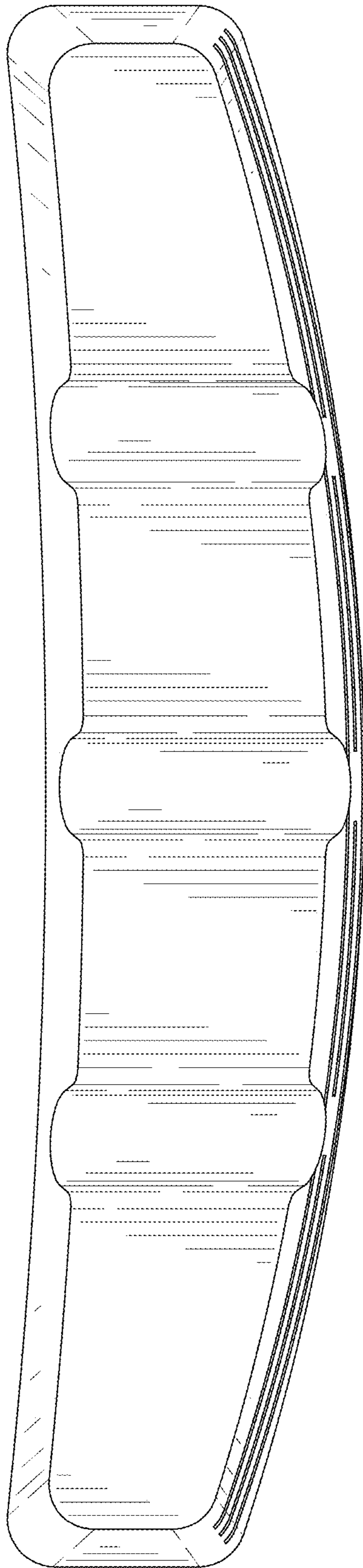


FIG. 7



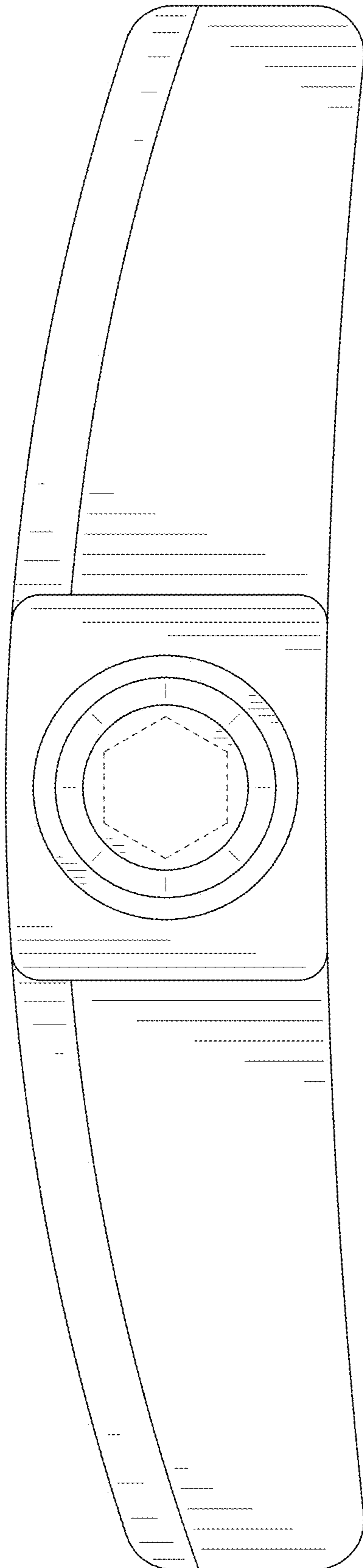


FIG. 8