



US00D983097S

(12) **United States Design Patent** (10) **Patent No.:** **US D983,097 S**  
**Langhals et al.** (45) **Date of Patent:** **\*\* Apr. 11, 2023**

(54) **LOWER GRILLE**

(56) **References Cited**

(71) Applicants: **Taylor A. Langhals**, Waterford, MI (US); **Brian H. Nielander**, Royal Oak, MI (US); **Mark T. Allen**, Oxford, MI (US)

U.S. PATENT DOCUMENTS

D851,550 S *	6/2019	Mack	.....	D12/163
D851,551 S *	6/2019	Mack	.....	D12/163
D860,863 S *	9/2019	Jonason	.....	D12/91
D863,143 S *	10/2019	Owens	.....	D12/163
D865,565 S *	11/2019	Hubers	.....	D12/91
D882,465 S *	4/2020	Bentzen	.....	D12/163
D884,564 S *	5/2020	Bentzen	.....	D12/171
D935,938 S *	11/2021	Langhals	.....	D12/91
D940,004 S *	1/2022	Stone	.....	D12/91
D940,591 S *	1/2022	Stone	.....	D12/91

(72) Inventors: **Taylor A. Langhals**, Waterford, MI (US); **Brian H. Nielander**, Royal Oak, MI (US); **Mark T. Allen**, Oxford, MI (US)

\* cited by examiner

(73) Assignee: **FCA US LLC**, Auburn Hills, MI (US)

*Primary Examiner* — Melody N Brown

(\*\*) Term: **15 Years**

(74) *Attorney, Agent, or Firm* — Ralph E. Smith

(21) Appl. No.: **29/815,287**

(57) **CLAIM**

(22) Filed: **Nov. 12, 2021**

The ornamental design for a lower grille, as shown and described.

**Related U.S. Application Data**

**DESCRIPTION**

(63) Continuation-in-part of application No. 29/727,307, filed on Mar. 10, 2020, now Pat. No. Des. 935,938.

FIG. 1 is a front perspective view of a lower grille showing our new design;

(51) **LOC (14) Cl.** ..... **12-16**

FIG. 2 is a front view thereof;

(52) **U.S. Cl.**

FIG. 3 is a rear view thereof;

USPC ..... **D12/163**

FIG. 4 is a side view thereof;

(58) **Field of Classification Search**

FIG. 5 is a top view thereof; and,

USPC ..... D12/163, 196, 86, 90-92, 169, 190, 98, D12/164; 293/193.11; 180/68.1, 68.6

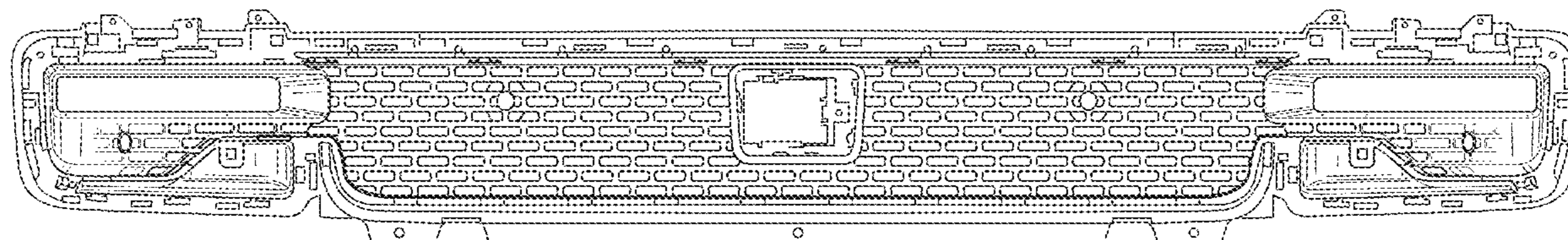
FIG. 6 is a bottom view thereof.

CPC ..... B62B 9/16; B60K 11/08; B62D 25/08; B60R 19/52

It will be understood that the broken lines shown in the drawings illustrate portions of the lower grille that form no part of the claimed design.

See application file for complete search history.

**1 Claim, 4 Drawing Sheets**



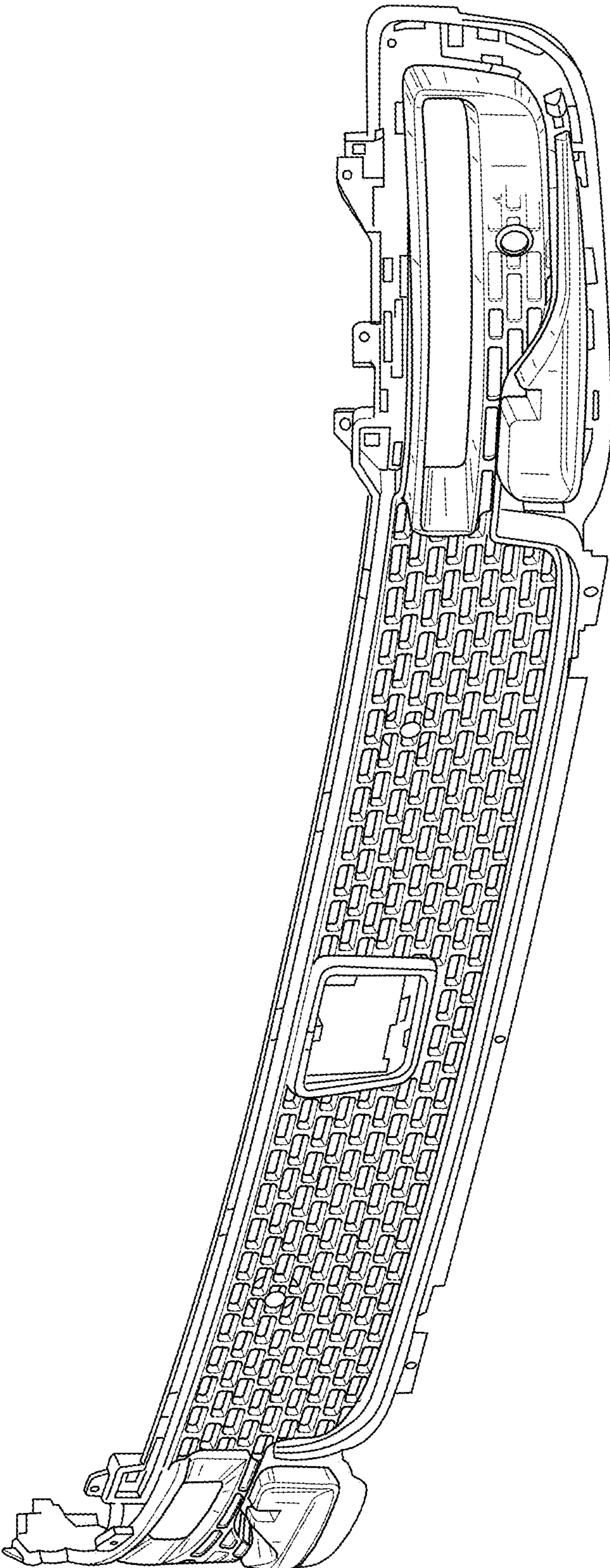


FIG. 1



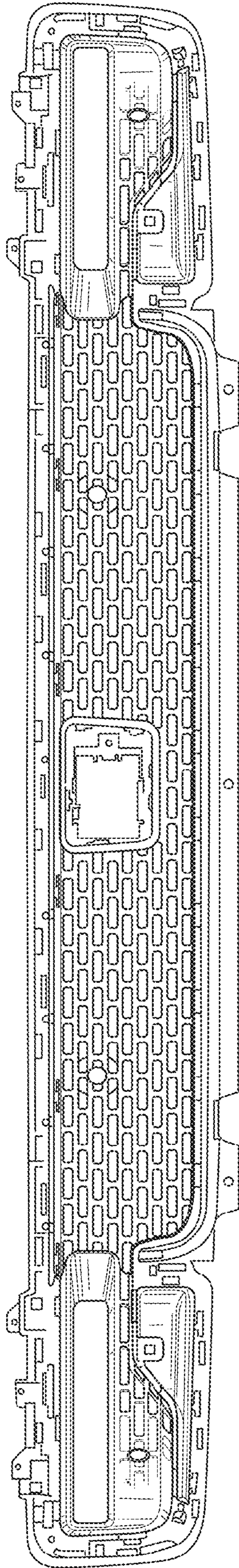


FIG. 2

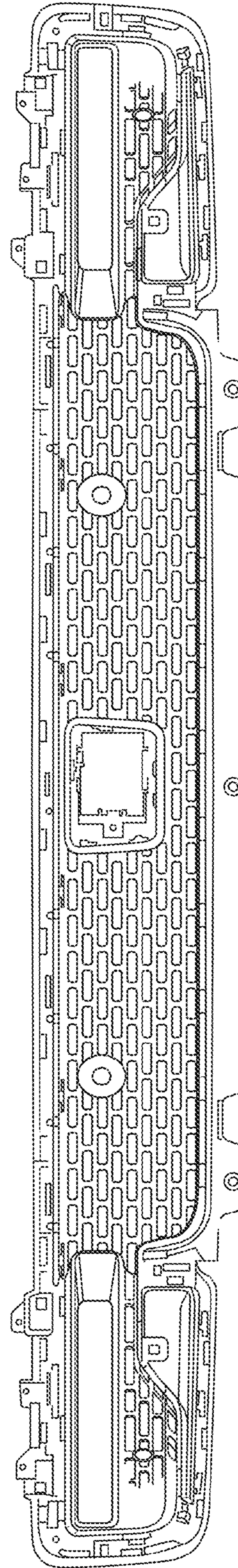


FIG. 3

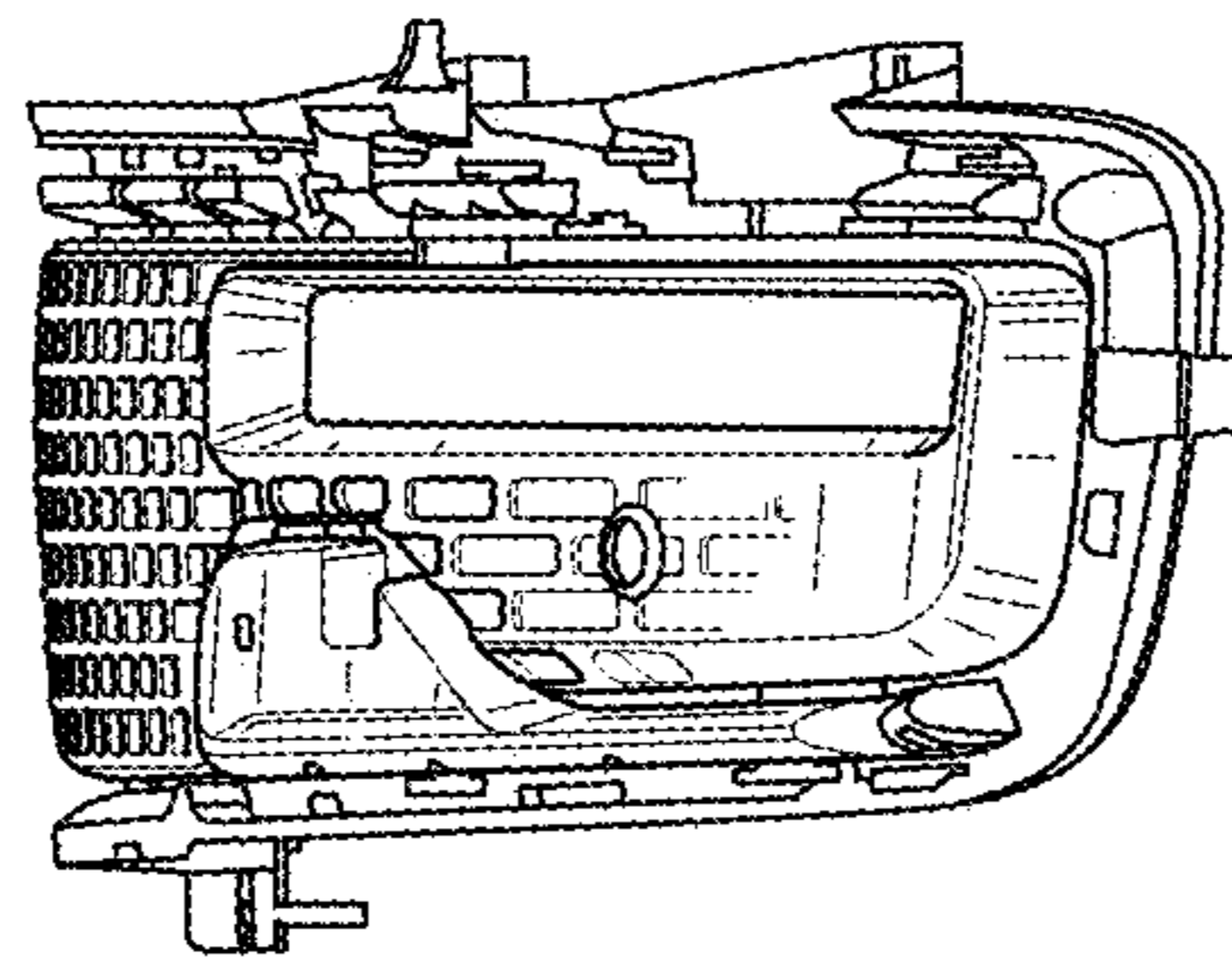


FIG. 4

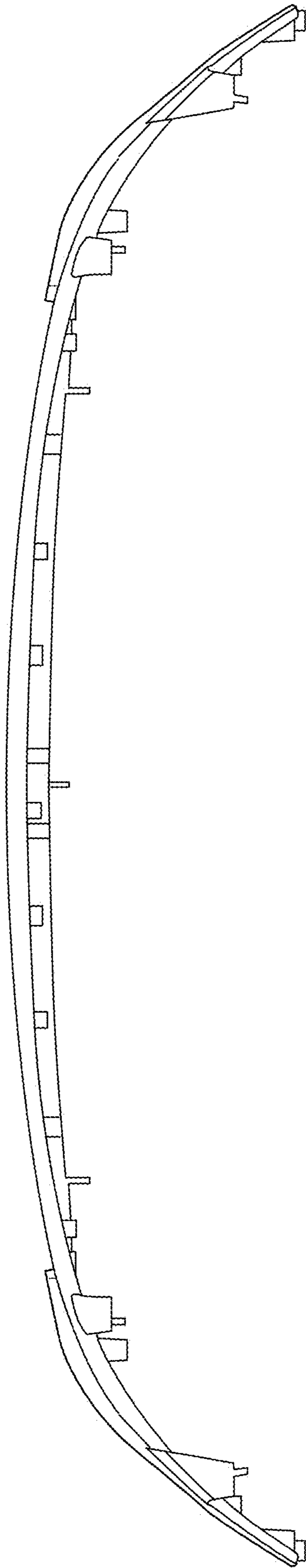


FIG. 5

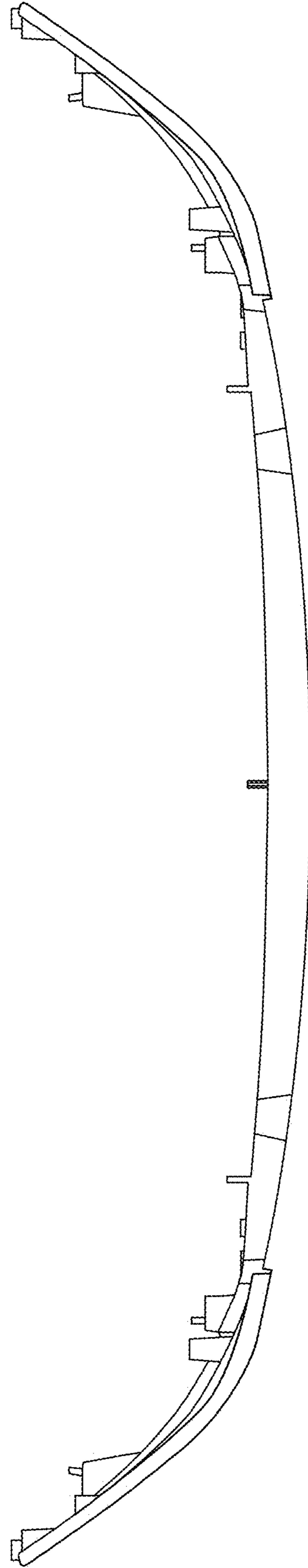


FIG. 6