



US00D983094S

(12) **United States Design Patent** (10) **Patent No.:** **US D983,094 S**
Jones et al. (45) **Date of Patent:** **** Apr. 11, 2023**

(54) **BICYCLE FRAME**

(74) *Attorney, Agent, or Firm* — Banner & Witcoff, Ltd.

(71) Applicant: **Coulter Ventures, LLC.**, Columbus, OH (US)

(57) **CLAIM**

The ornamental design for a bicycle frame, as shown and described.

(72) Inventors: **Dylan Jones**, Santa Barbara, CA (US);
Patrick Burgess, Asheville, NC (US);
Aaron Stinner, Santa Barbara, CA (US)

DESCRIPTION

(73) Assignee: **Coulter Ventures, LLC.**, Columbus, OH (US)

FIG. 1 is a top, front, left perspective view of a bicycle frame showing our new design;

(**) Term: **15 Years**

FIG. 2 is a top, rear, right perspective view thereof;

(21) Appl. No.: **29/782,593**

FIG. 3 is a top, rear, left perspective view thereof;

(22) Filed: **May 7, 2021**

FIG. 4 is a front view thereof;

(51) **LOC (14) Cl.** **12-11**

FIG. 5 is a rear view thereof;

(52) **U.S. Cl.**

FIG. 6 is a right side view thereof;

USPC **D12/111**

FIG. 7 is a left side view thereof;

(58) **Field of Classification Search**

FIG. 8 is a top view thereof;

USPC D12/111, 117; D21/412, 414, 419,
D21/423-428, 431-435

FIG. 9 is a bottom view thereof;

CPC ... B62K 3/00; B62K 3/02; B62K 3/06; B62K
19/18; B62K 25/30; B62K 25/26; B62K
25/286; B62K 2025/048

FIG. 10 is an enlarged view of the delineated portion 10 in FIG. 2;

See application file for complete search history.

FIG. 11 is an enlarged view of the delineated portion 11 in FIG. 3;

(56) **References Cited**

U.S. PATENT DOCUMENTS

FIG. 12 is a top, front, left perspective view of a bicycle frame showing our new design of FIGS. 1-11 with a bicycle shown as exemplary environment;

D419,492 S *	1/2000	Egger	D12/111
D517,452 S *	3/2006	Hickman	D12/111
D632,615 S *	2/2011	Uimonen	D12/111
D637,527 S *	5/2011	Choi	D12/111
D667,347 S *	9/2012	Simko	D12/111
D719,488 S *	12/2014	Stafford	D12/111
D719,880 S *	12/2014	Juarez	D12/111
D726,075 S *	4/2015	D'Aluisio	D12/111

FIG. 13 is a top, rear, right perspective view thereof;

FIG. 14 is a top, rear, left perspective view thereof;

FIG. 15 is a front view thereof;

FIG. 16 is a rear view thereof;

FIG. 17 is a right side view thereof;

FIG. 18 is a left side view thereof;

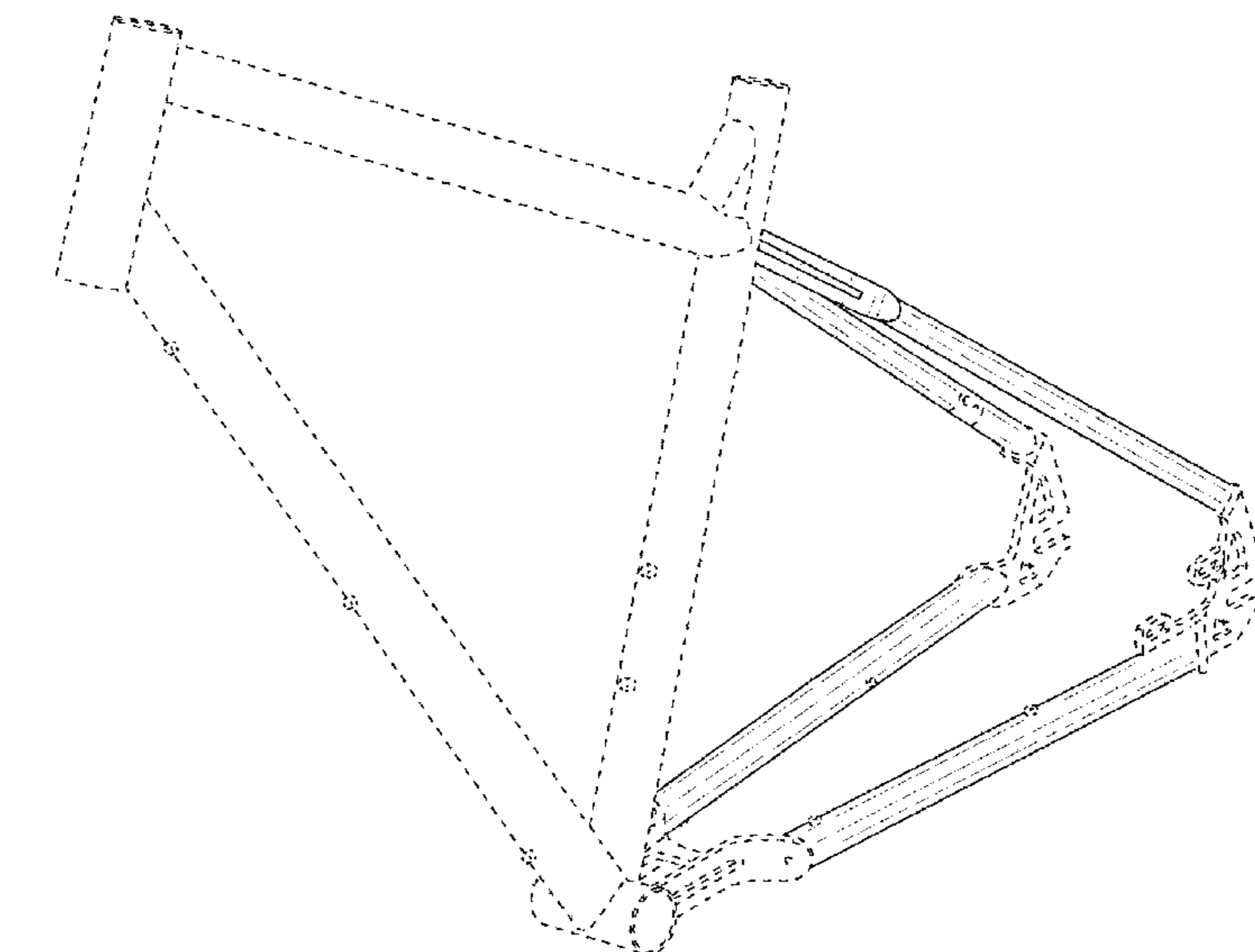
FIG. 19 is a top view thereof;

FIG. 20 is a bottom view thereof;

FIG. 21 is an enlarged view of the delineated portion 21 in FIG. 13; and,

FIG. 22 is an enlarged view of the delineated portion 22 in FIG. 14.

The broken lines immediately adjacent to the shaded area define the bounds of the claimed design and form no part thereof. The broken lines depicting the remainder of the bicycle frame form no part of the claimed design.



Primary Examiner — Darlington Ly

1 Claim, 22 Drawing Sheets

(56)

References Cited

U.S. PATENT DOCUMENTS

D734,218	S	*	7/2015	D'Aluisio	D12/111
D766,136	S	*	9/2016	Jankura	D12/111
D797,610	S	*	9/2017	Jankura	D12/111
D858,359	S	*	9/2019	Lentz	D12/111
D865,574	S	*	11/2019	Russell	D12/111
D885,986	S	*	6/2020	Chan	D12/111
D906,893	S	*	1/2021	Lin	D12/111
D908,046	S	*	1/2021	Callahan	D12/111
D909,921	S	*	2/2021	Stafford	D12/111
D923,519	S	*	6/2021	Hafner	D12/111
D939,388	S	*	12/2021	Stafford	D12/111
D939,389	S	*	12/2021	Stafford	D12/111
2021/0147032	A1	*	5/2021	Farrell	B62K 3/04
2021/0284269	A1	*	9/2021	Hu	B62K 19/16
2022/0306240	A1	*	9/2022	Talavasek	B62M 6/90

* cited by examiner

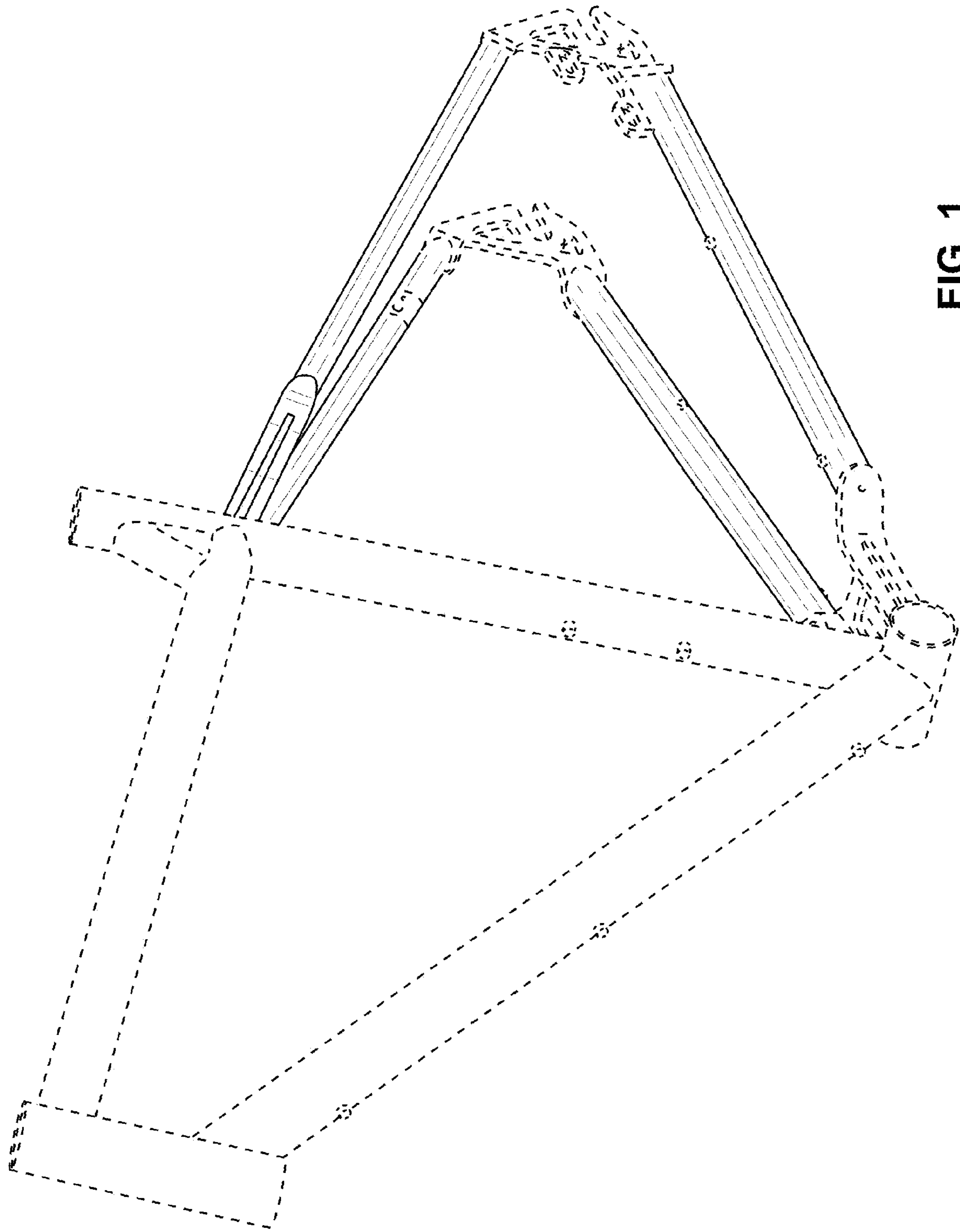


FIG. 1

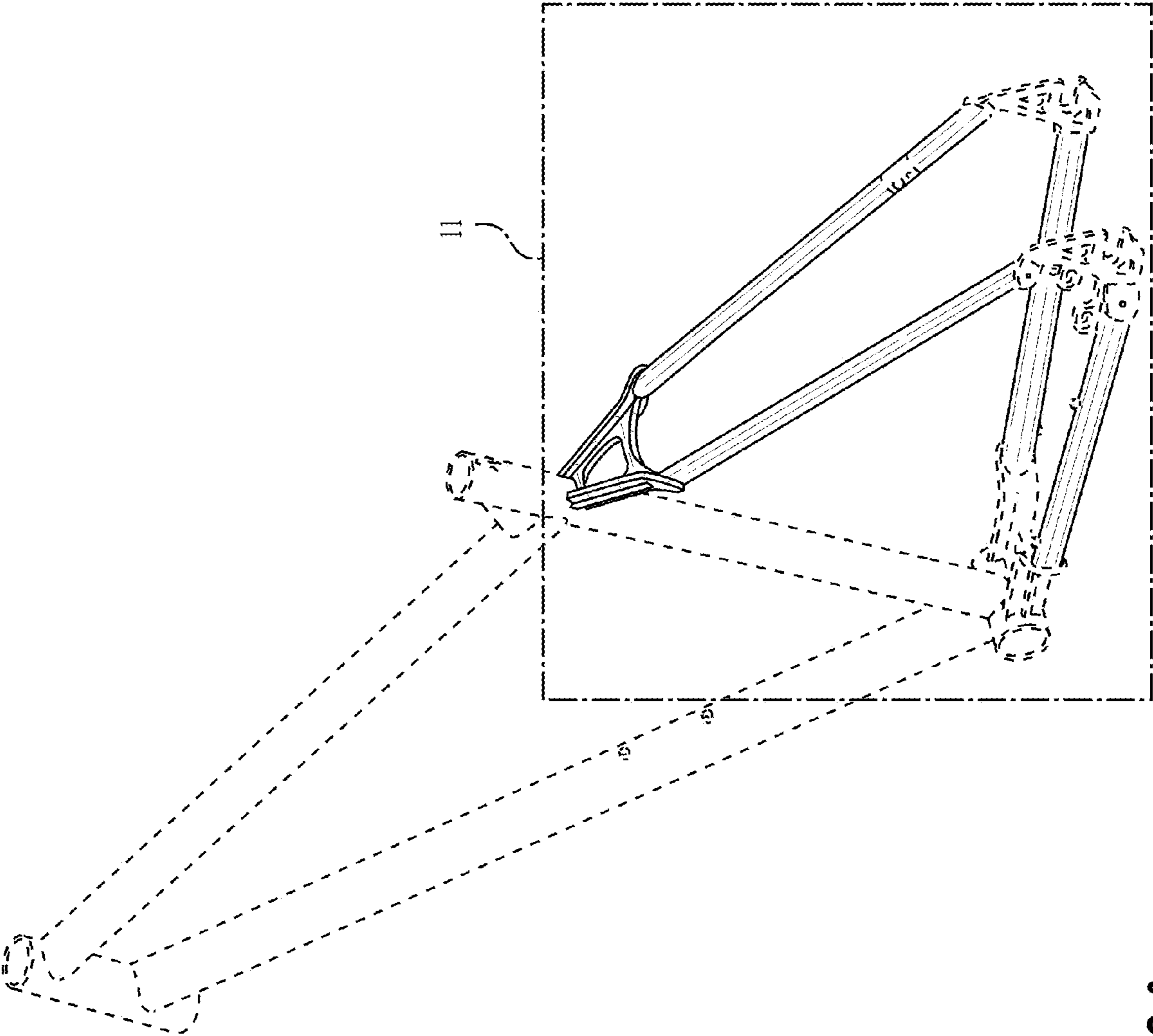


FIG. 3

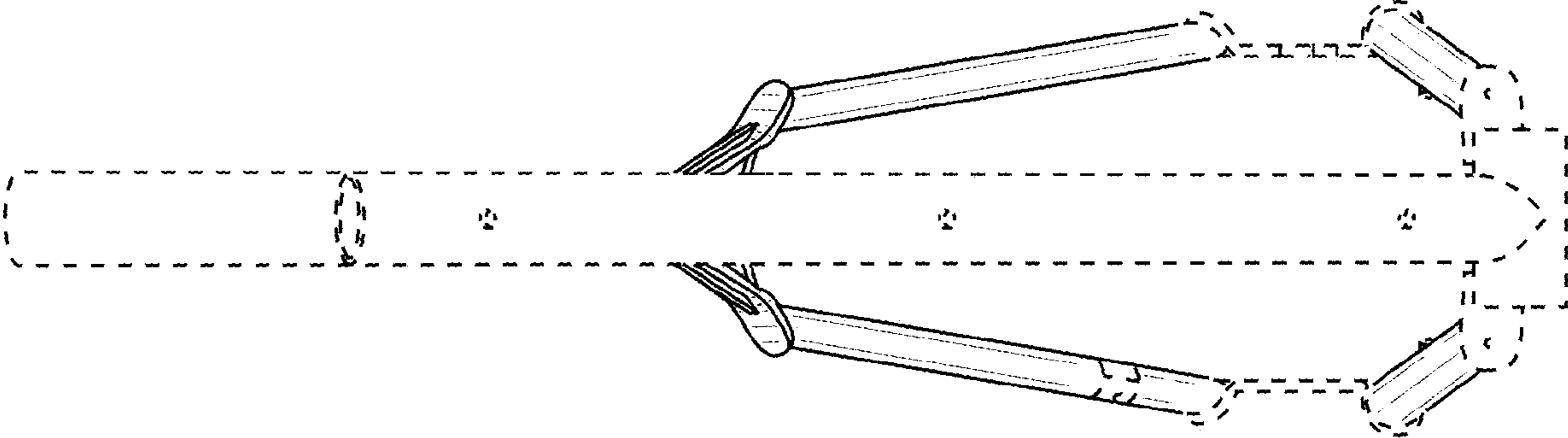


FIG. 4

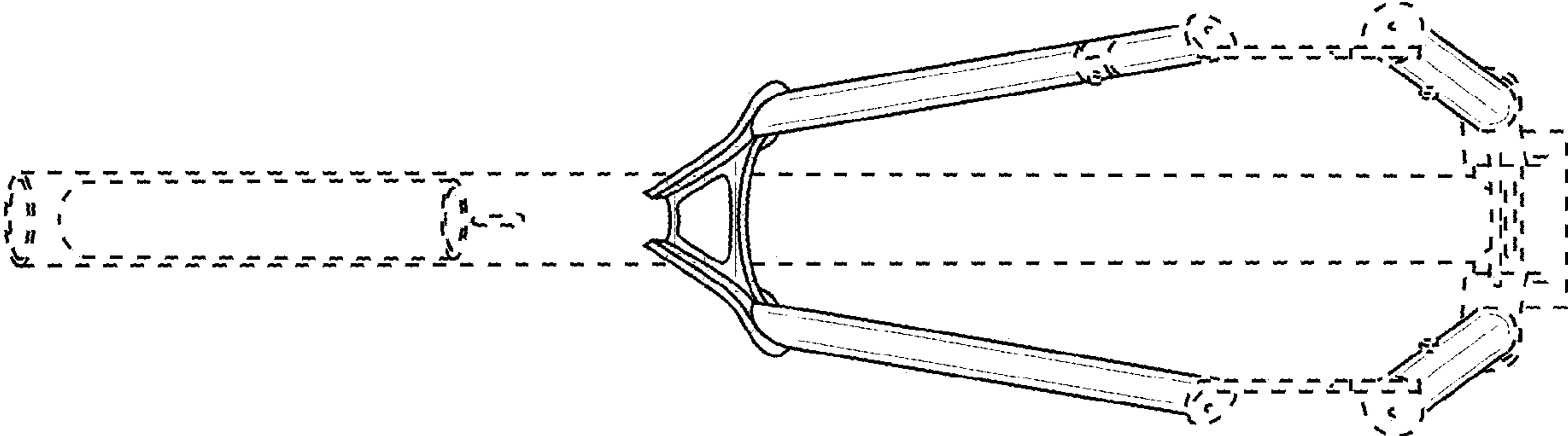


FIG. 5

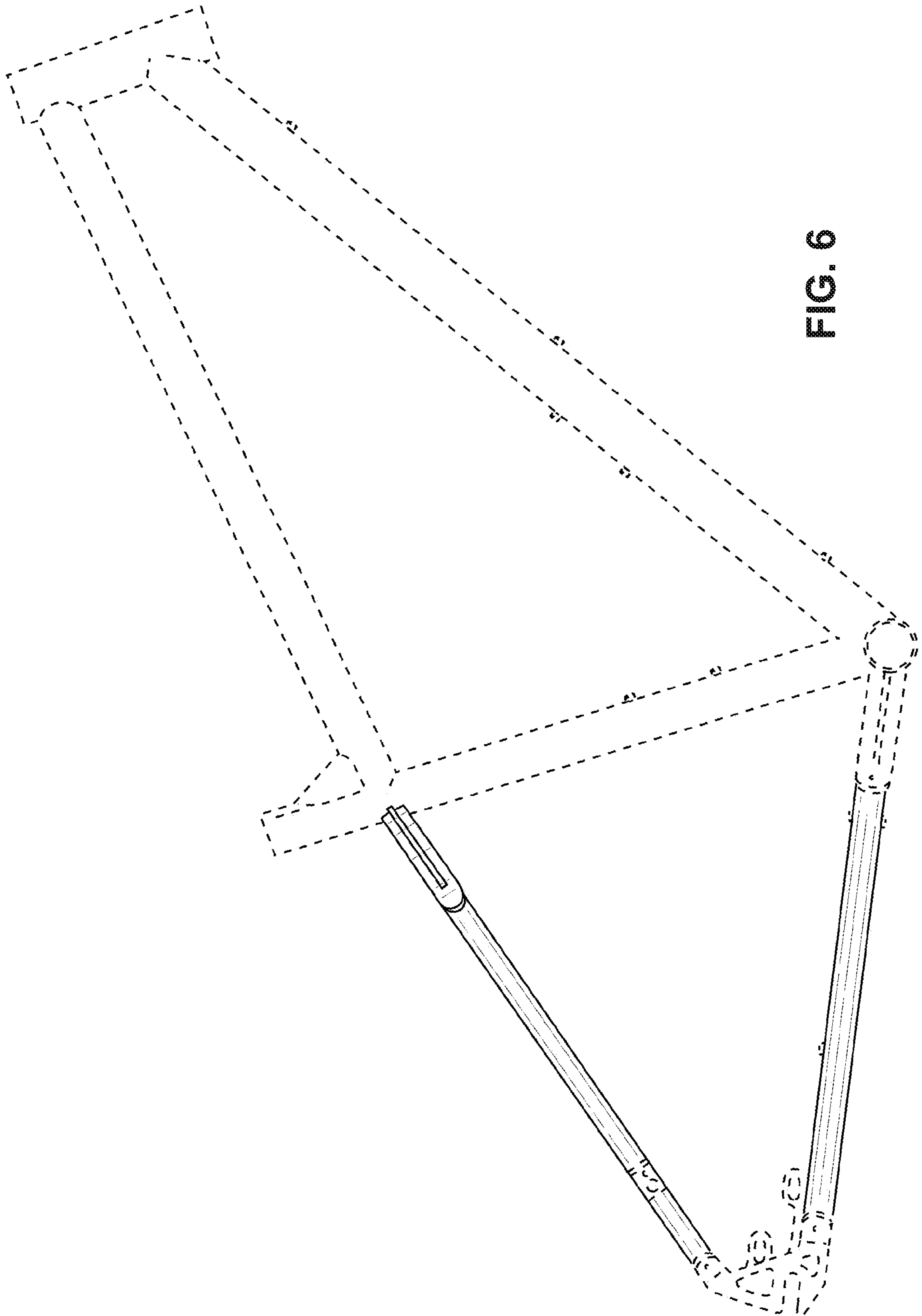


FIG. 6

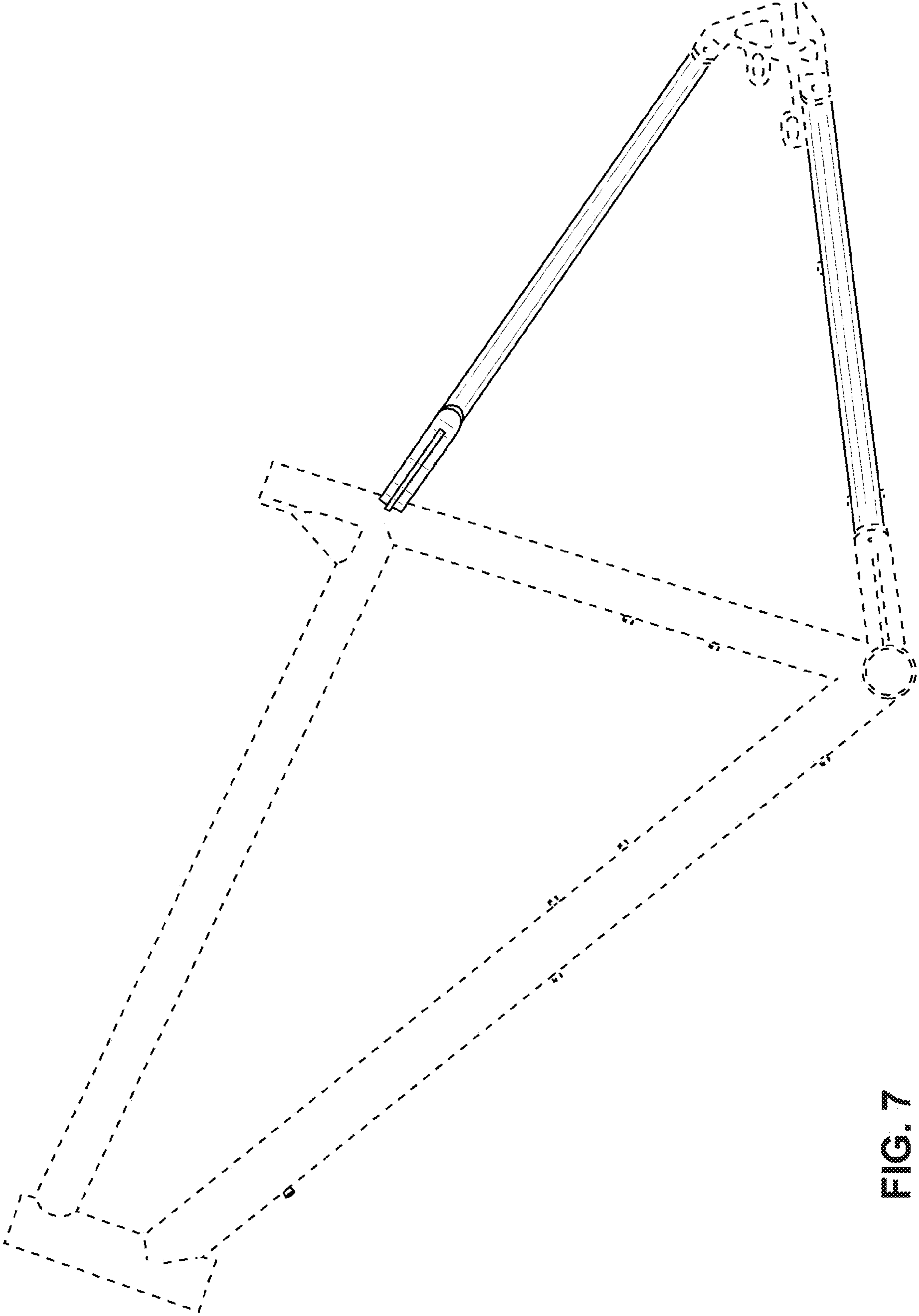


FIG. 7

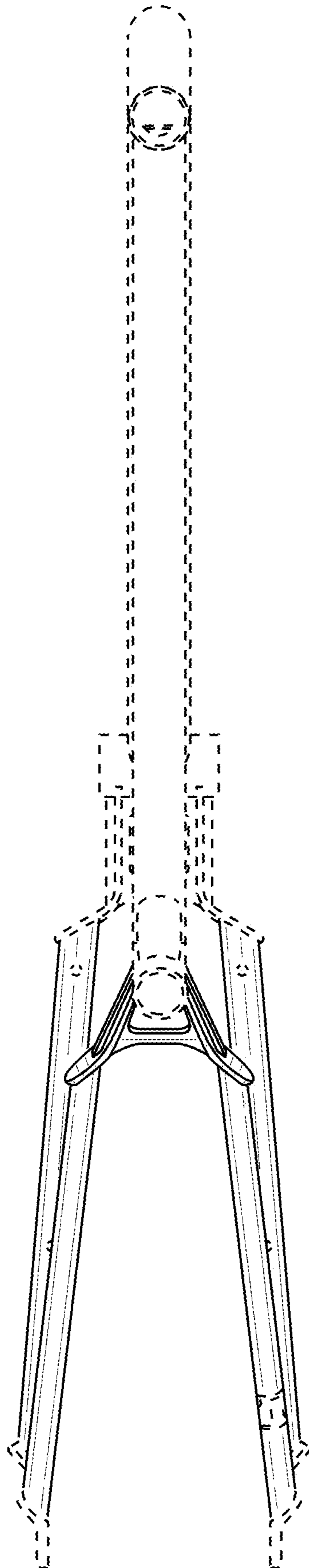


FIG. 8

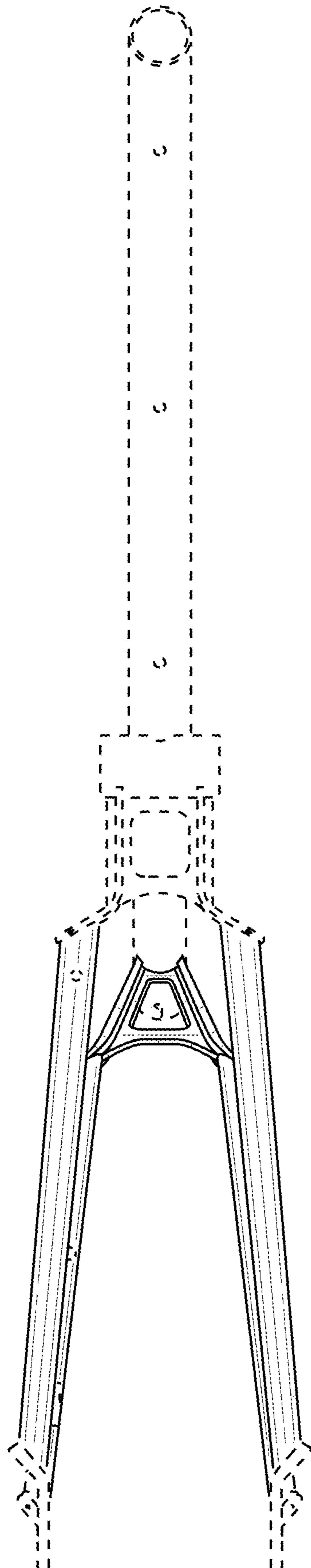


FIG. 9

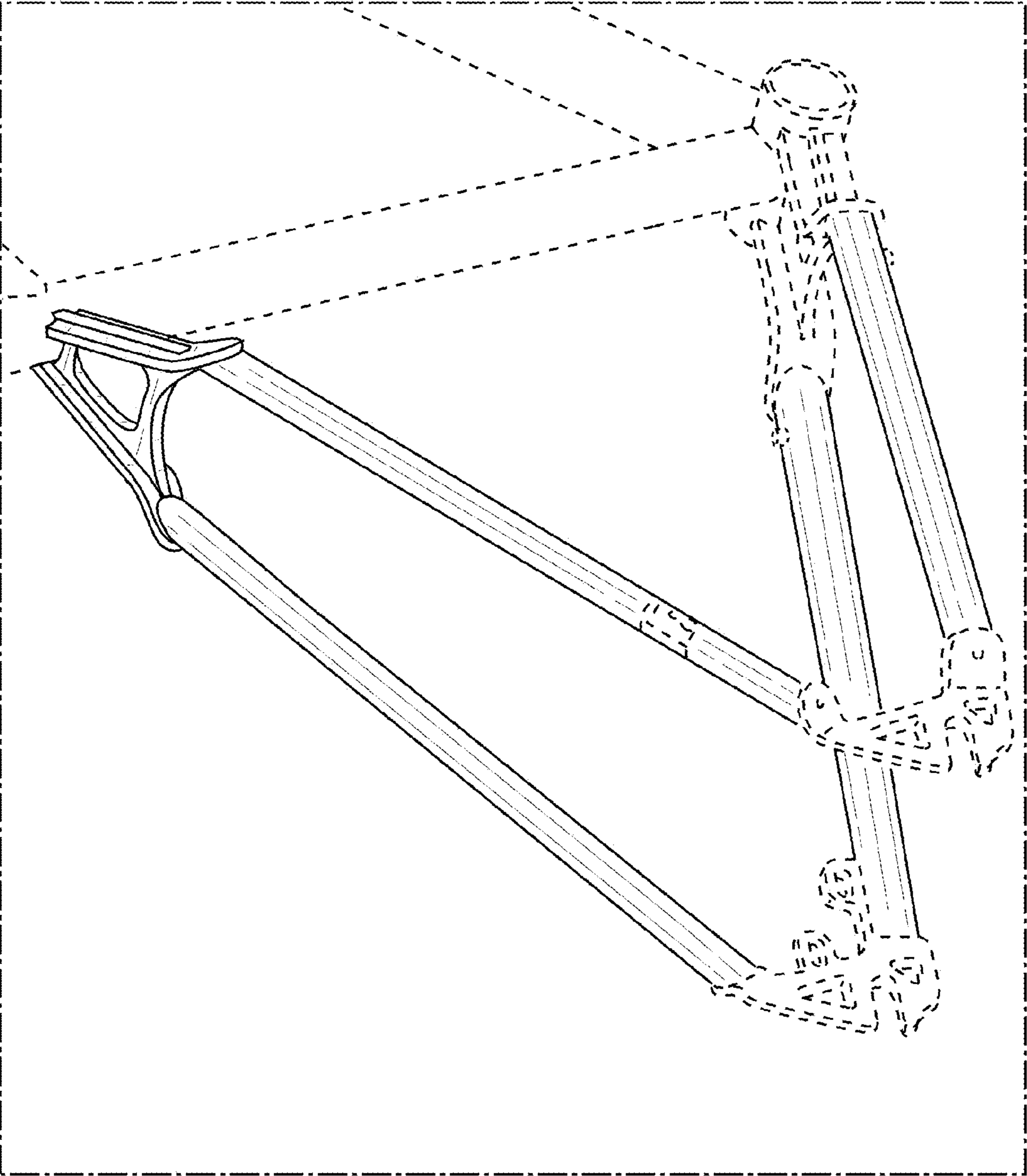


FIG. 10

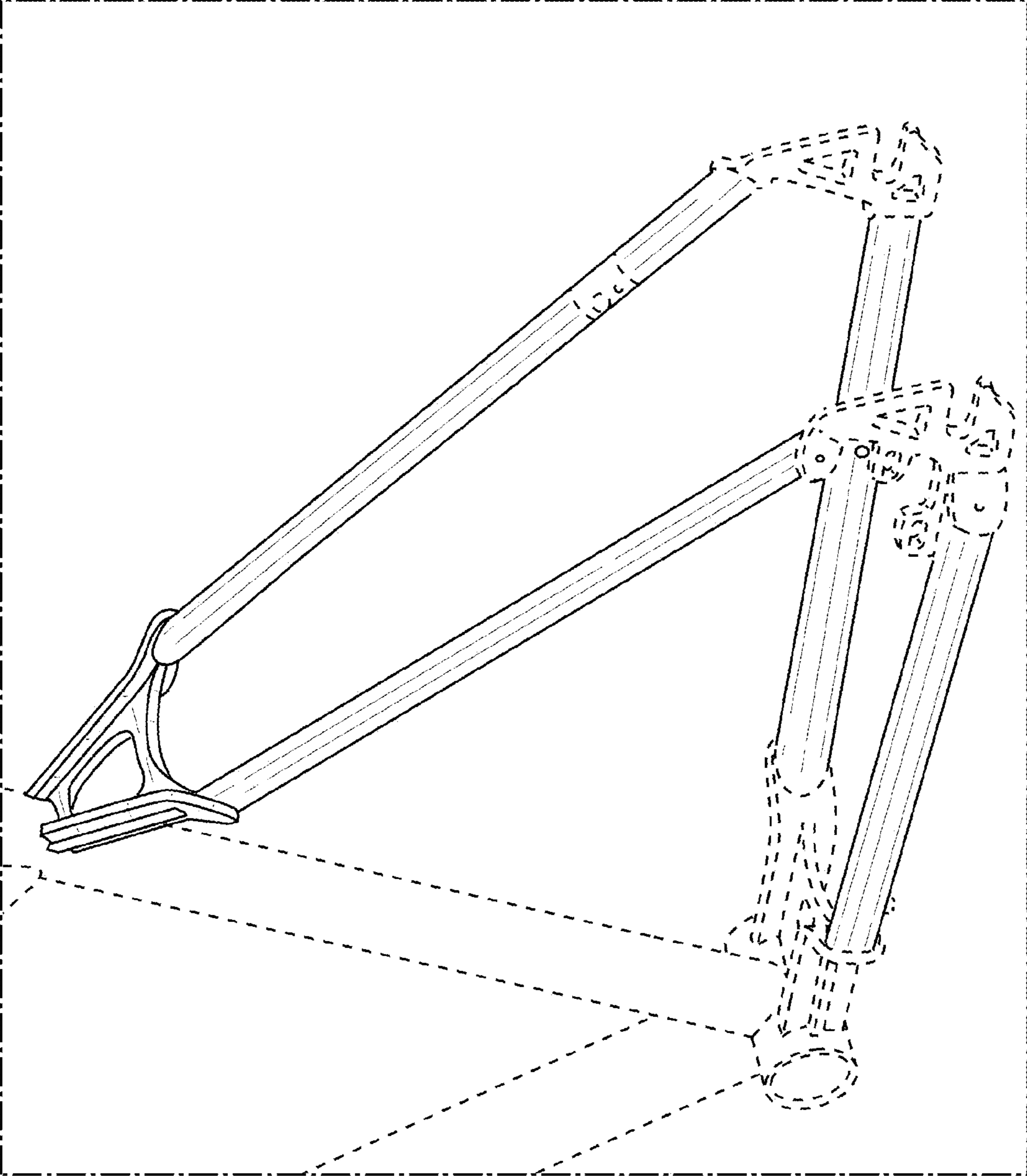


FIG. 11

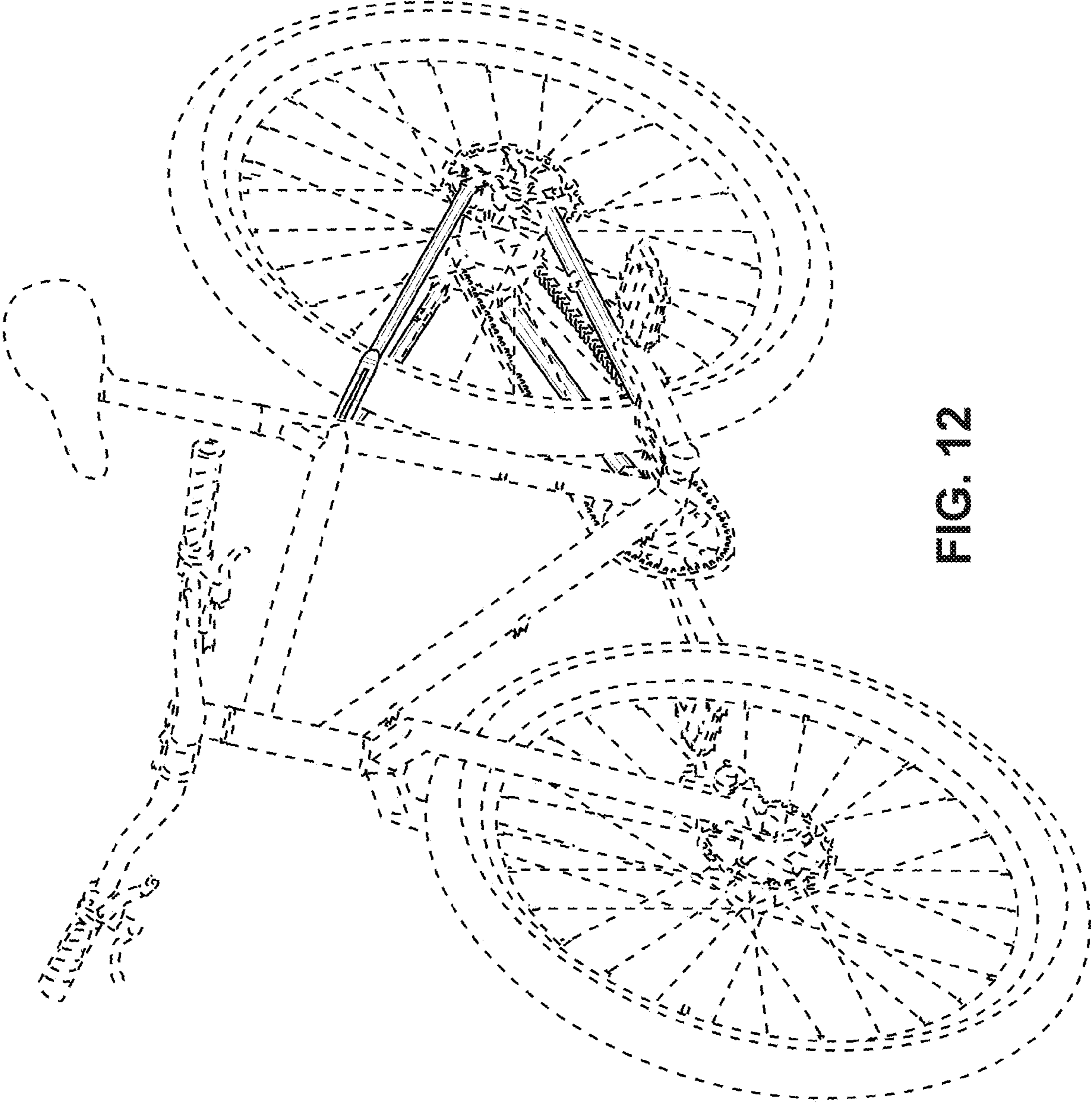


FIG. 12

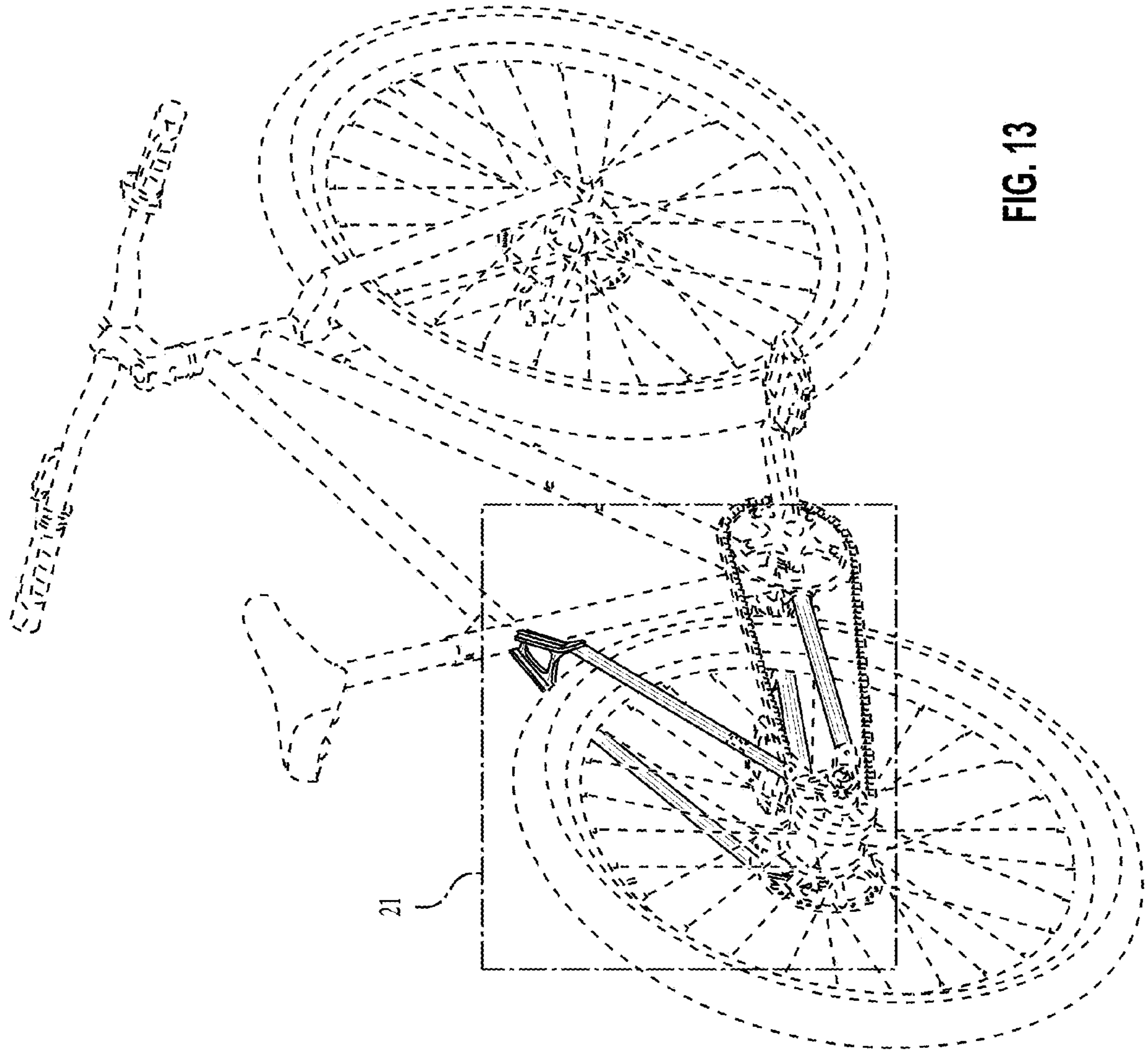


FIG. 13

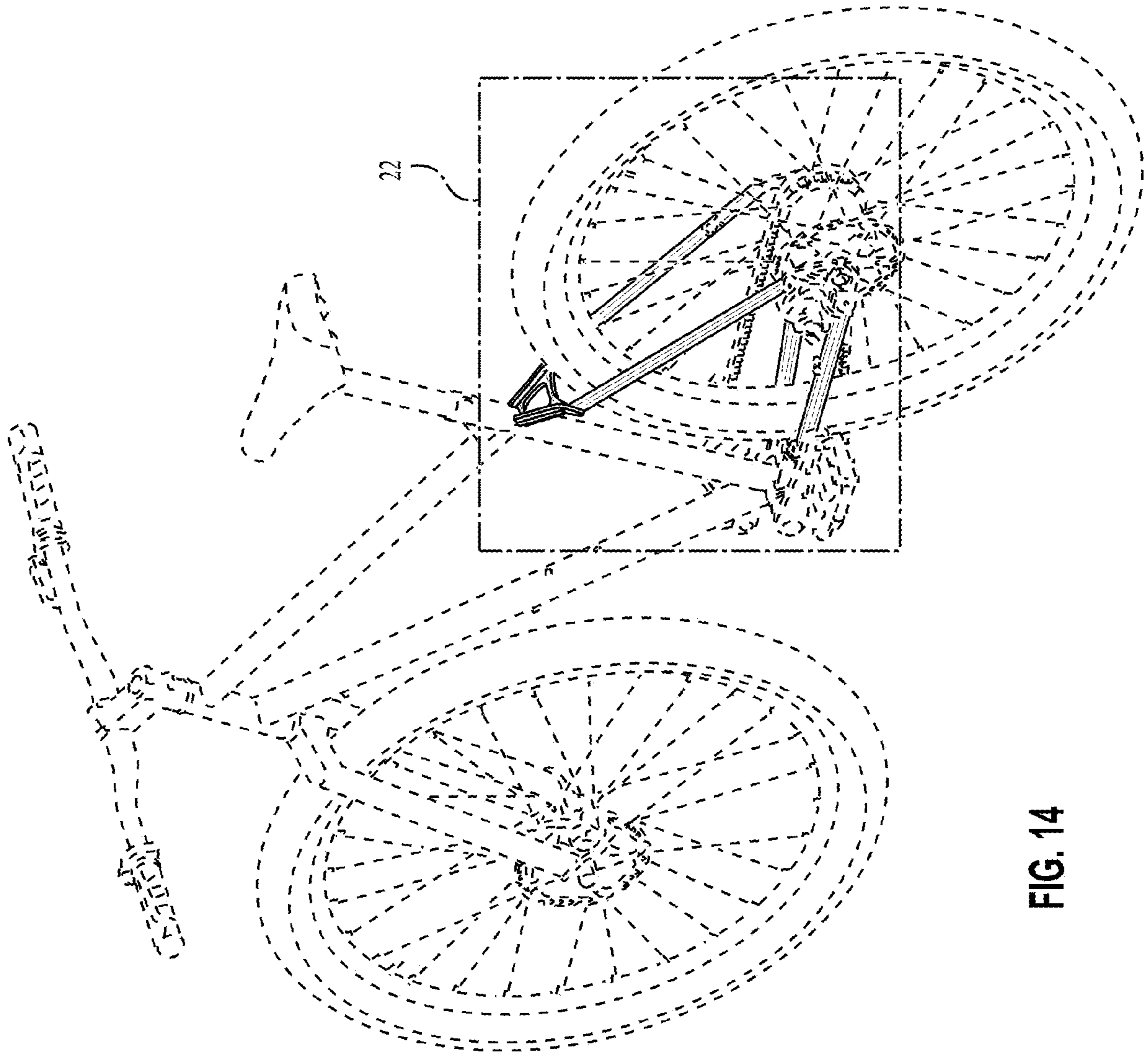


FIG. 14

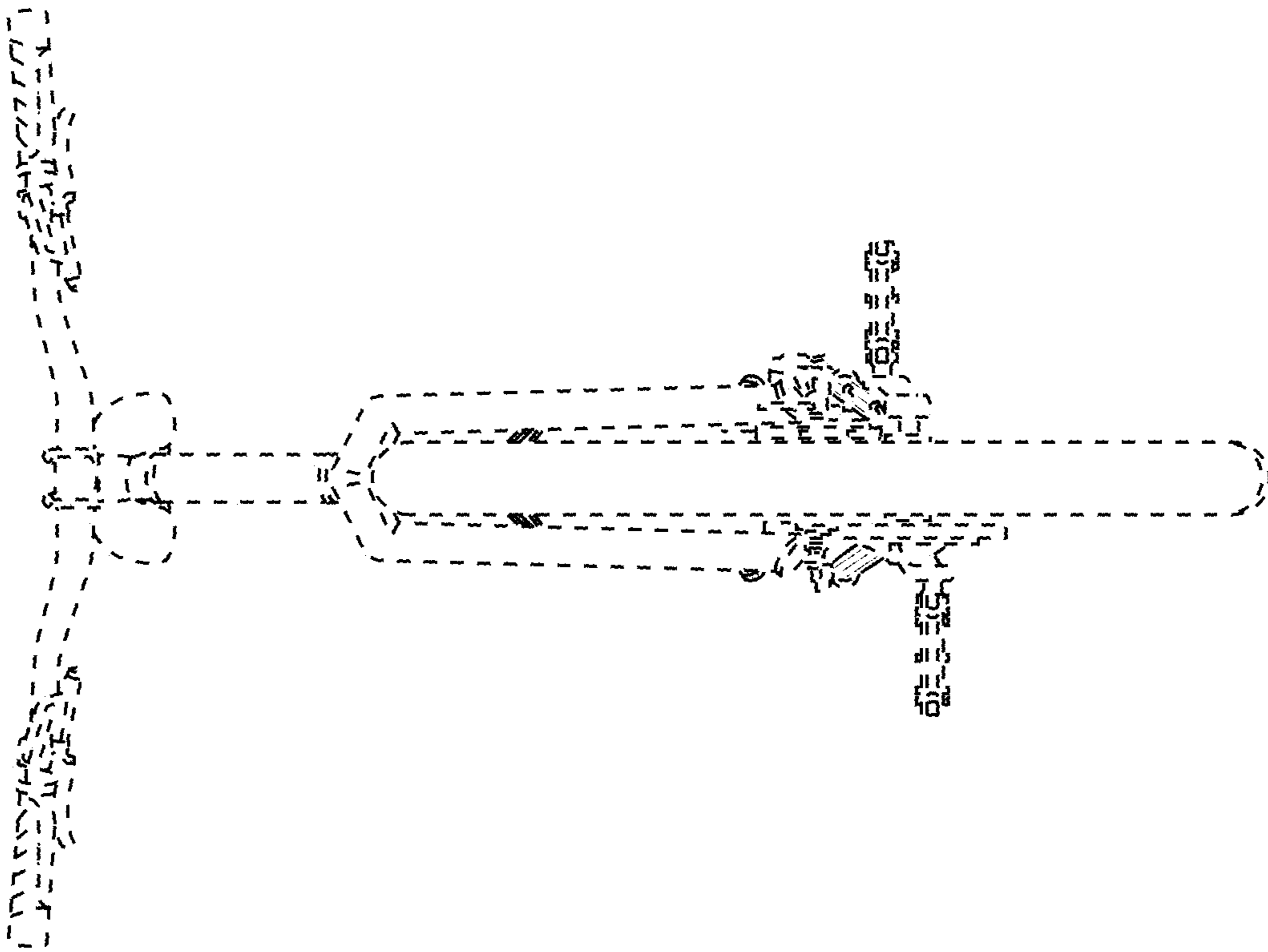


FIG. 15

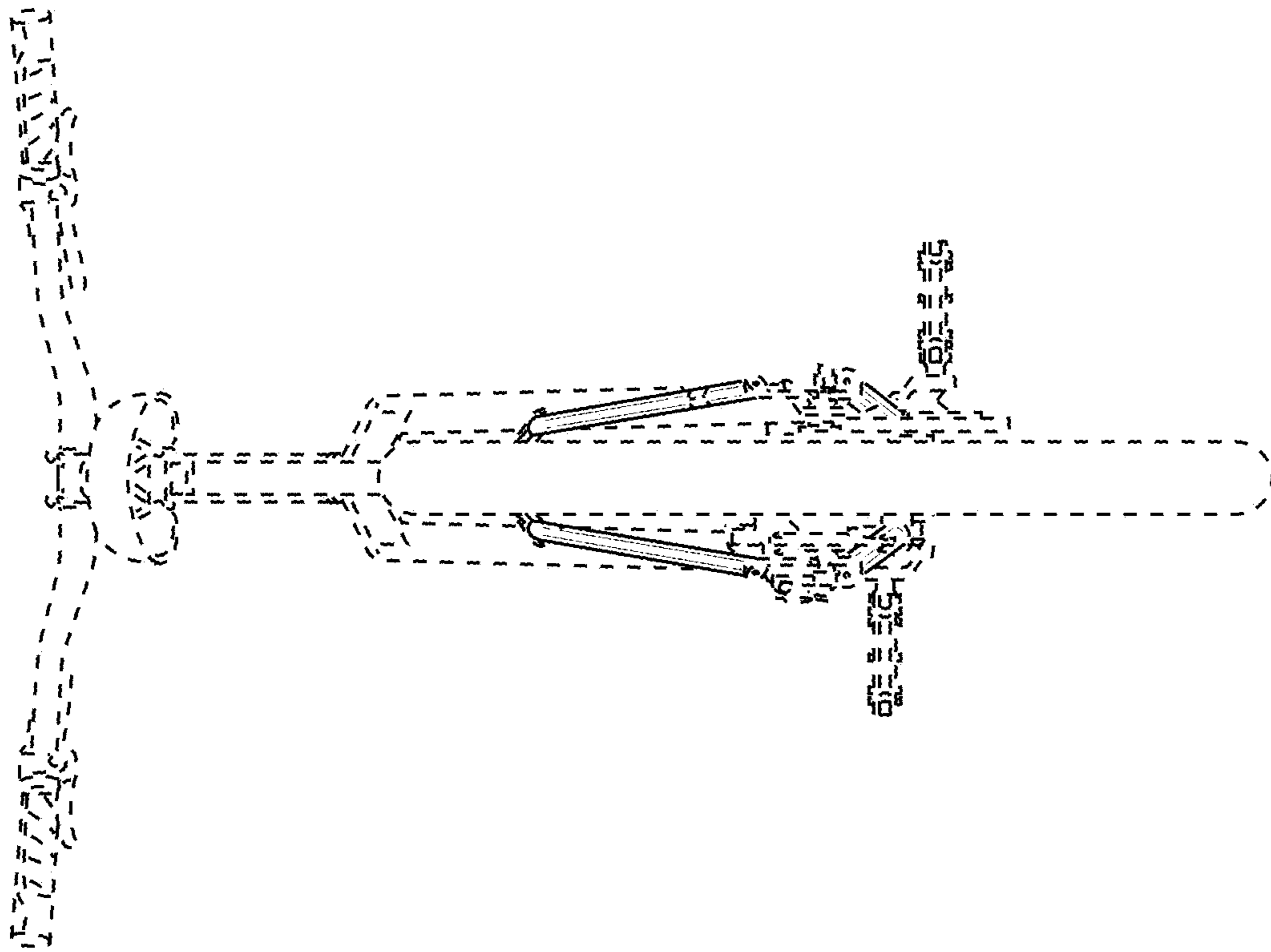


FIG. 16

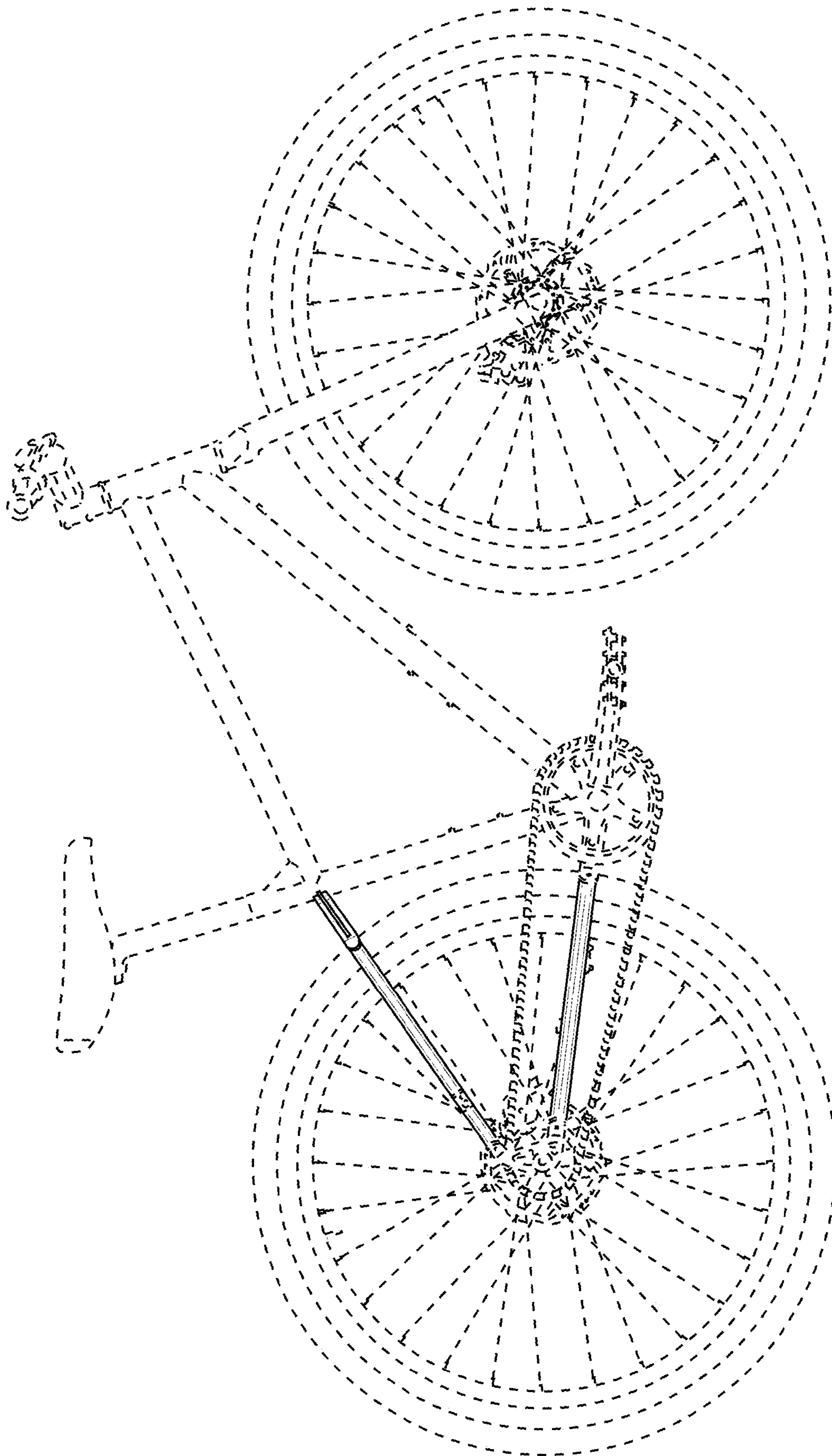


FIG. 17

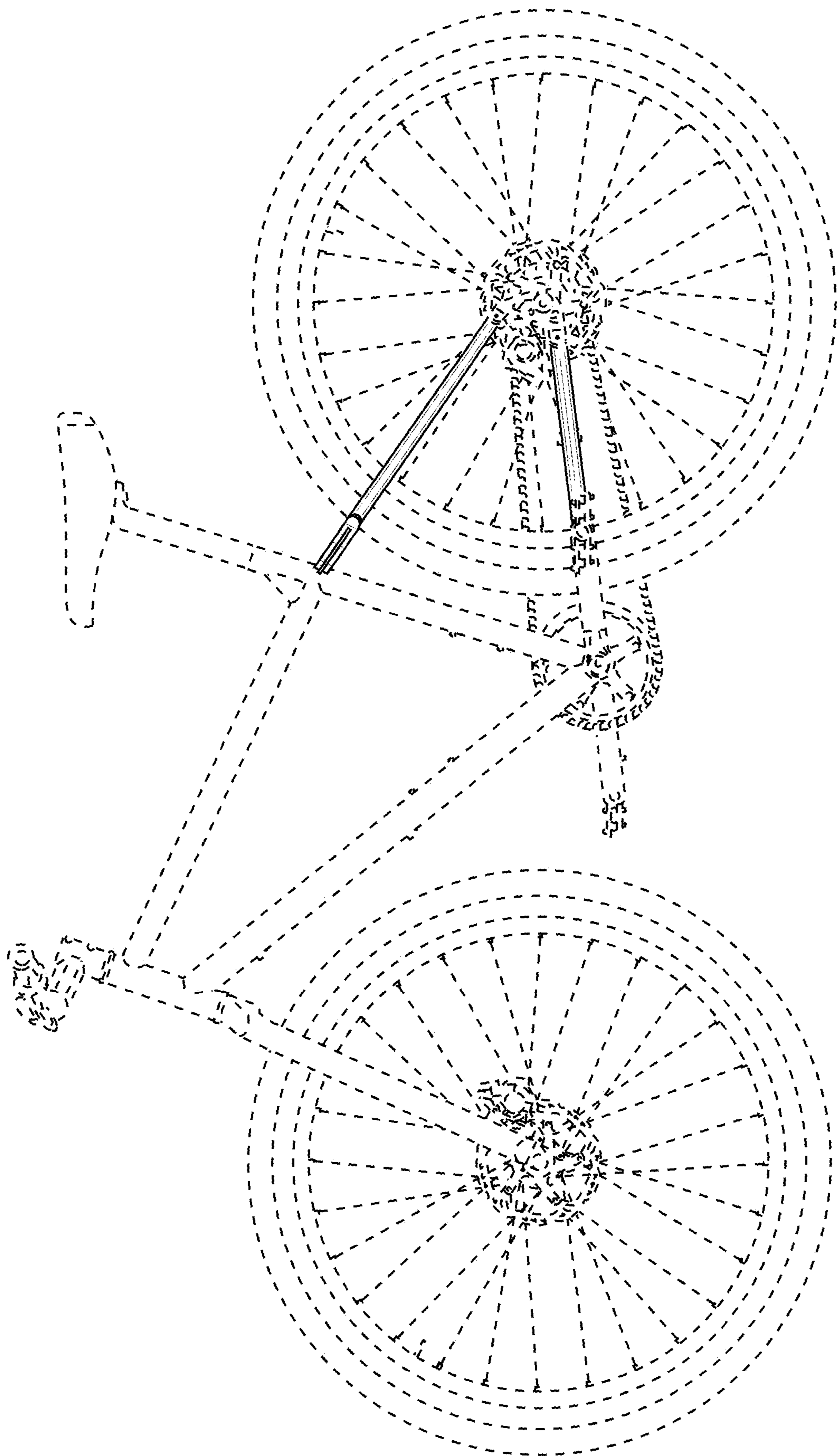


FIG. 18

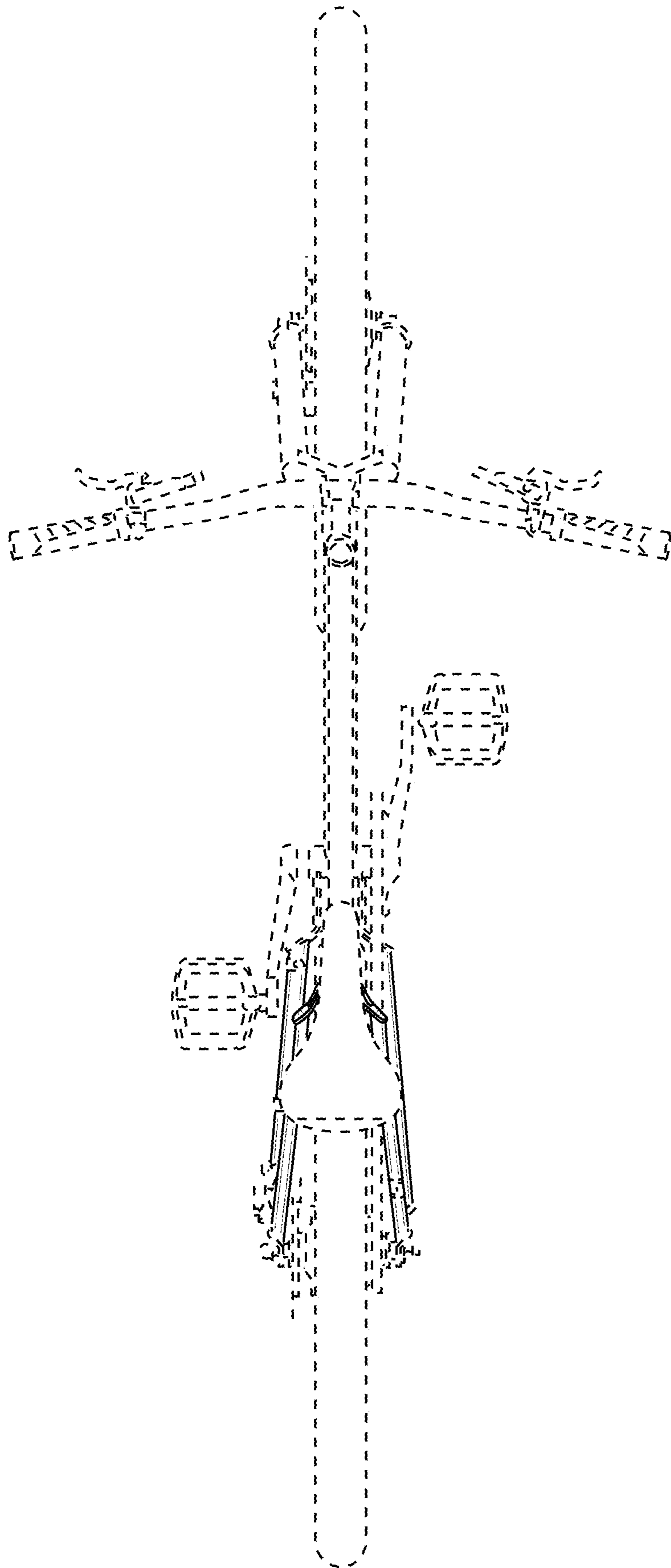


FIG. 19

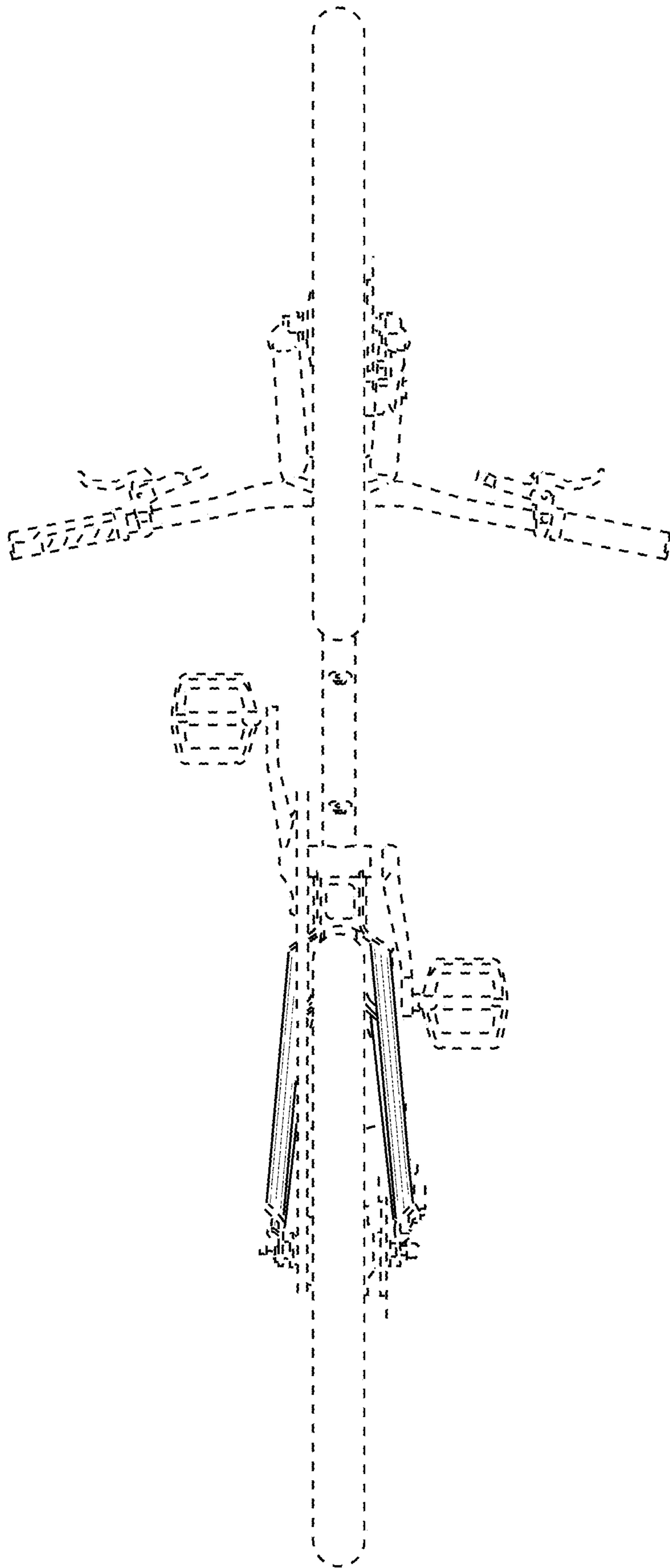


FIG. 20

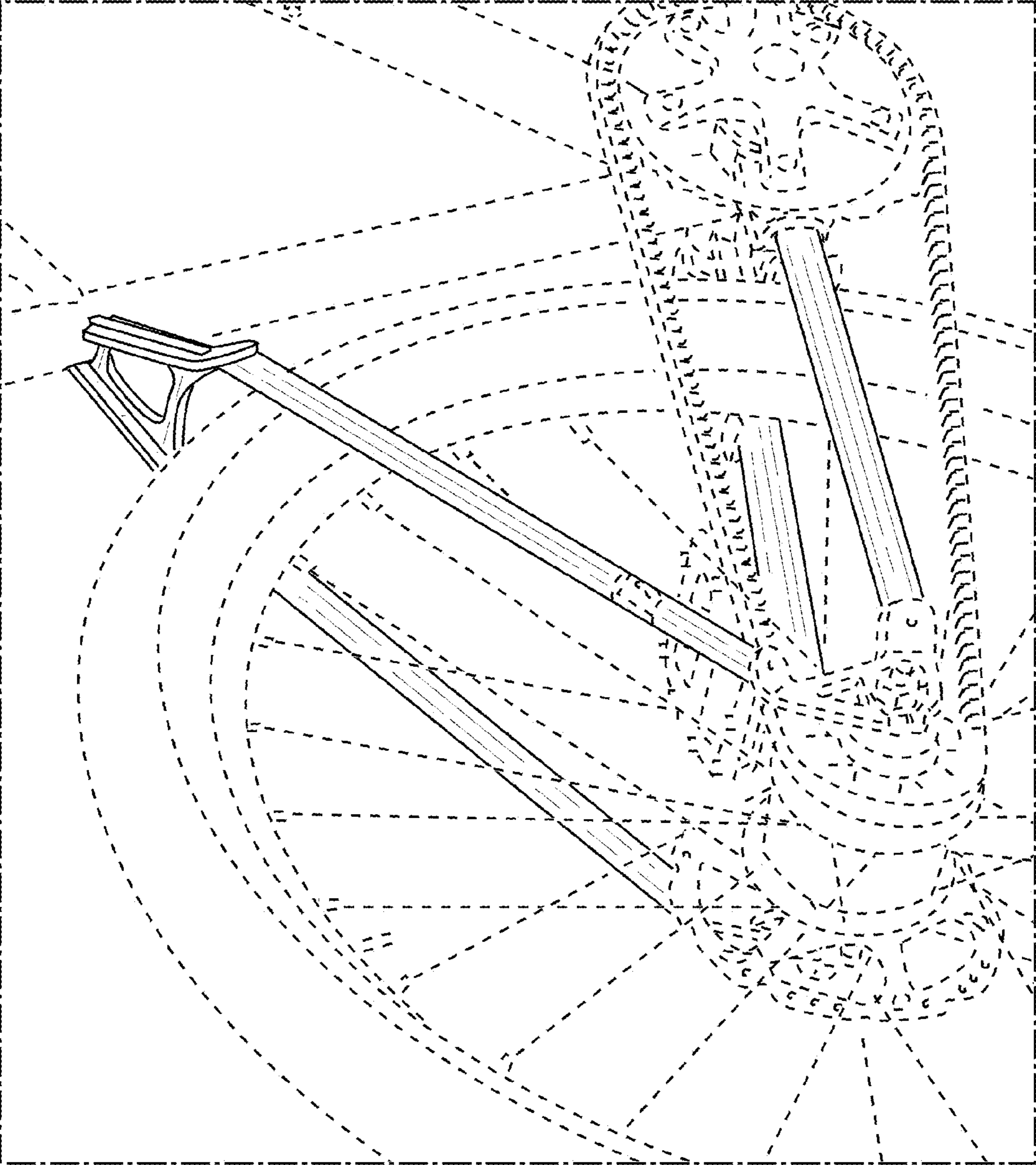


FIG. 21

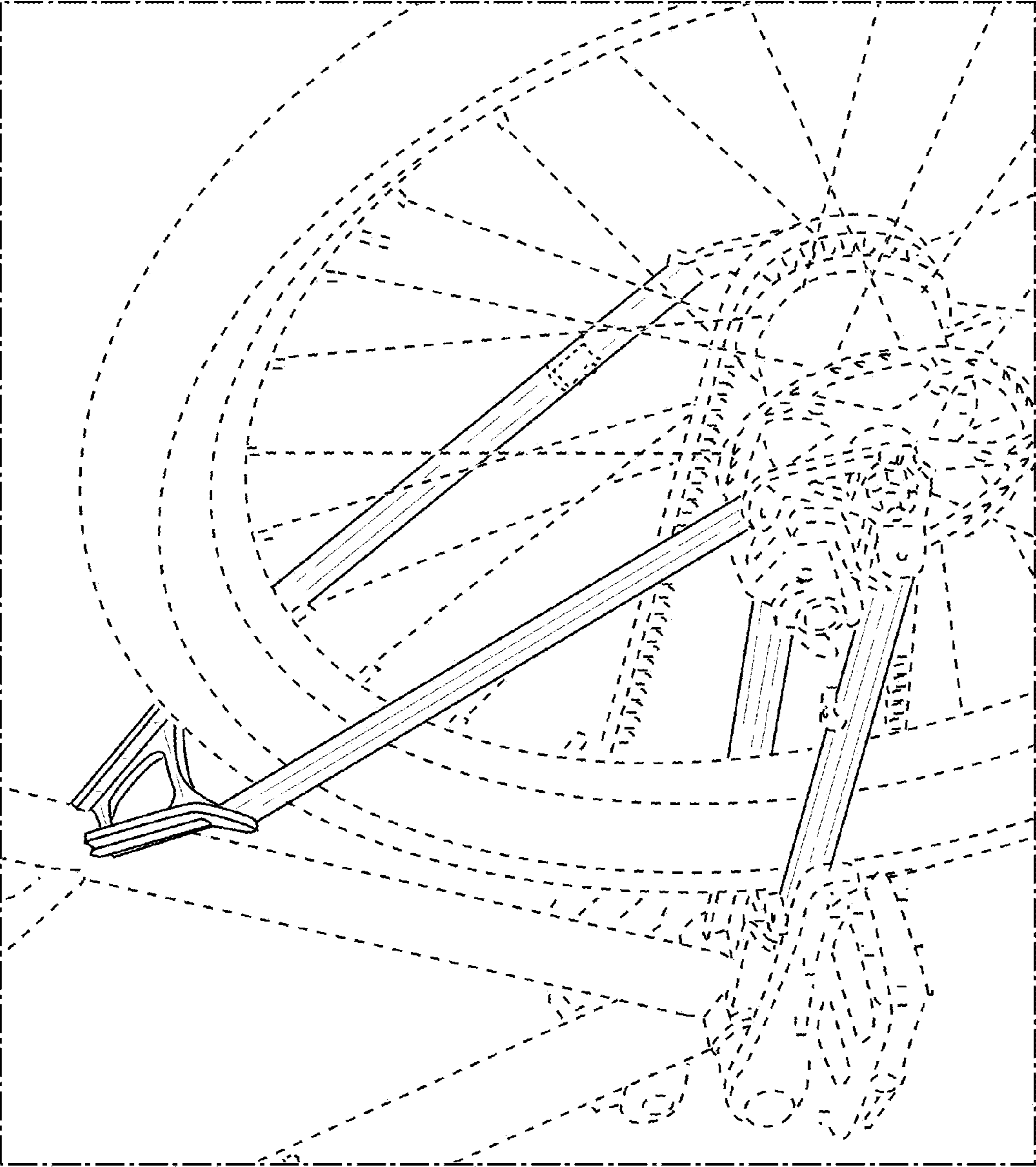


FIG. 22