



US00D983093S

(12) **United States Design Patent**
Lyu

(10) **Patent No.:** **US D983,093 S**
(45) **Date of Patent:** **** Apr. 11, 2023**

- (54) **OFF-ROAD VEHICLE**
- (71) Applicant: **Yongkang Tengtai Fitness Co., Ltd.**,
Yongkang (CN)
- (72) Inventor: **Yuancheng Lyu**, Yongkang (CN)
- (73) Assignee: **Yongkang Tengtai Fitness Co., Ltd.**,
Yongkang (CN)
- (**) Term: **15 Years**
- (21) Appl. No.: **29/861,240**
- (22) Filed: **Nov. 28, 2022**
- (51) **LOC (14) Cl.** **12-03**
- (52) **U.S. Cl.**
USPC **D12/107**
- (58) **Field of Classification Search**
USPC D12/3, 86, 87, 107, 110
See application file for complete search history.

- D876,284 S * 2/2020 Chang D12/107
- D904,935 S * 12/2020 Lou D12/107
- D906,181 S * 12/2020 Lou D12/107
- D926,636 S * 8/2021 Lou D12/107
- D950,419 S * 5/2022 Lou D12/107
- D950,420 S * 5/2022 Lou D12/107
- D954,605 S * 6/2022 Lou D12/107
- D955,297 S * 6/2022 Lou D12/107

* cited by examiner

Primary Examiner — Khawaja Anwar
(74) *Attorney, Agent, or Firm* — ScienBiziP, P.C.

(57) **CLAIM**

The ornamental design for an off-road vehicle, as shown and described.

DESCRIPTION

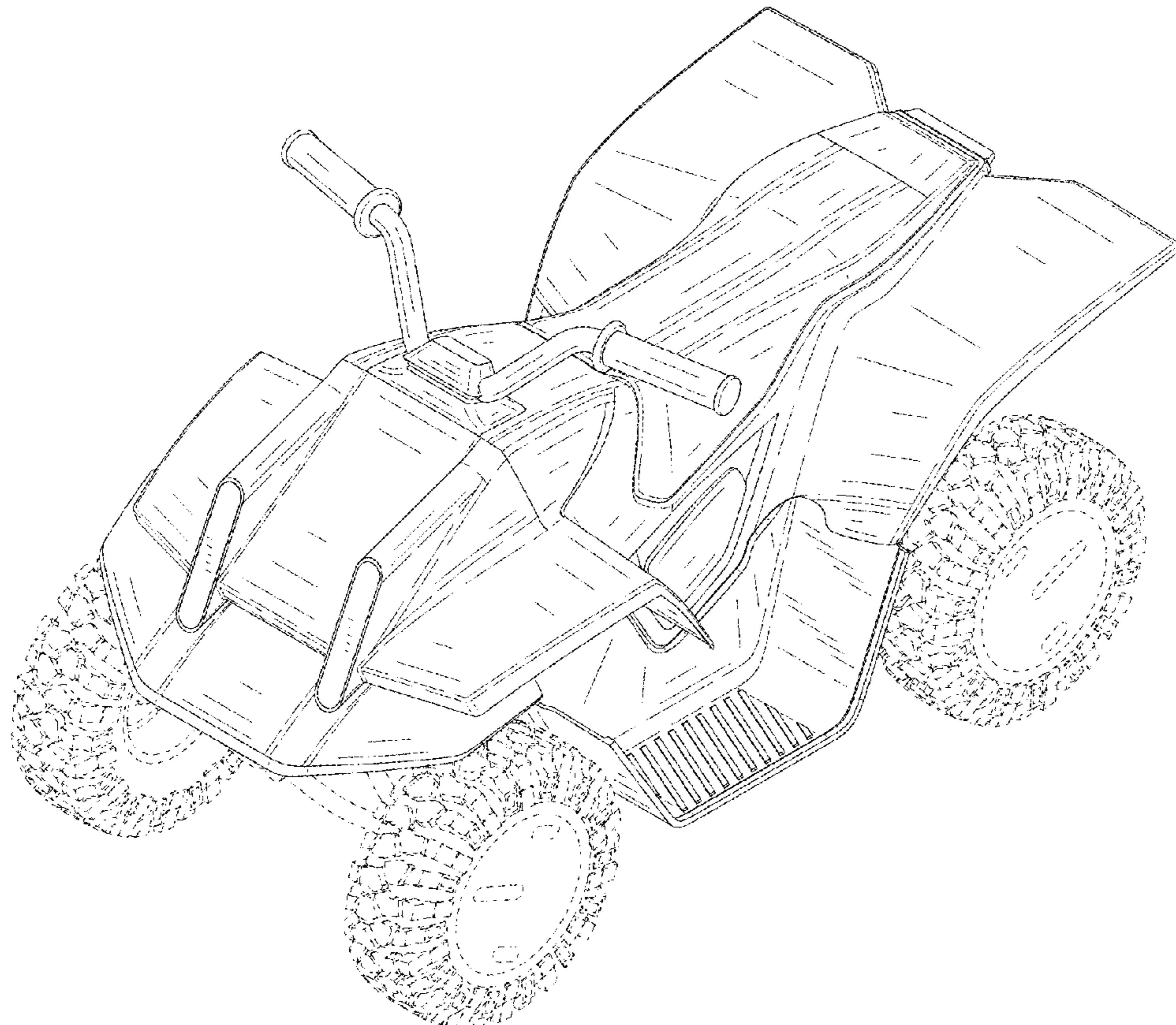
FIG. 1 is a front, right and top perspective view of an off-road vehicle, showing my design.
 FIG. 2 is a rear, left and bottom perspective view thereof.
 FIG. 3 is a front elevation view thereof.
 FIG. 4 is a rear elevation view thereof.
 FIG. 5 is a right side elevation view thereof.
 FIG. 6 is a left side elevation view thereof.
 FIG. 7 is a top plan view thereof; and,
 FIG. 8 is a bottom plan view thereof.
 FIG. 9 is another front, right and top perspective view of the off-road vehicle in another state.
 The broken lines depict portions of the off-road vehicle that form no part of the claimed design.

(56) **References Cited**

U.S. PATENT DOCUMENTS

- D429,663 S 8/2000 Tamashima et al.
- D452,835 S 1/2002 Aoki et al.
- D670,616 S * 11/2012 Hobo D12/107
- D805,000 S * 12/2017 Umemoto D12/107
- D854,624 S * 7/2019 Talios D21/432
- D876,283 S * 2/2020 Chang D12/107

1 Claim, 9 Drawing Sheets



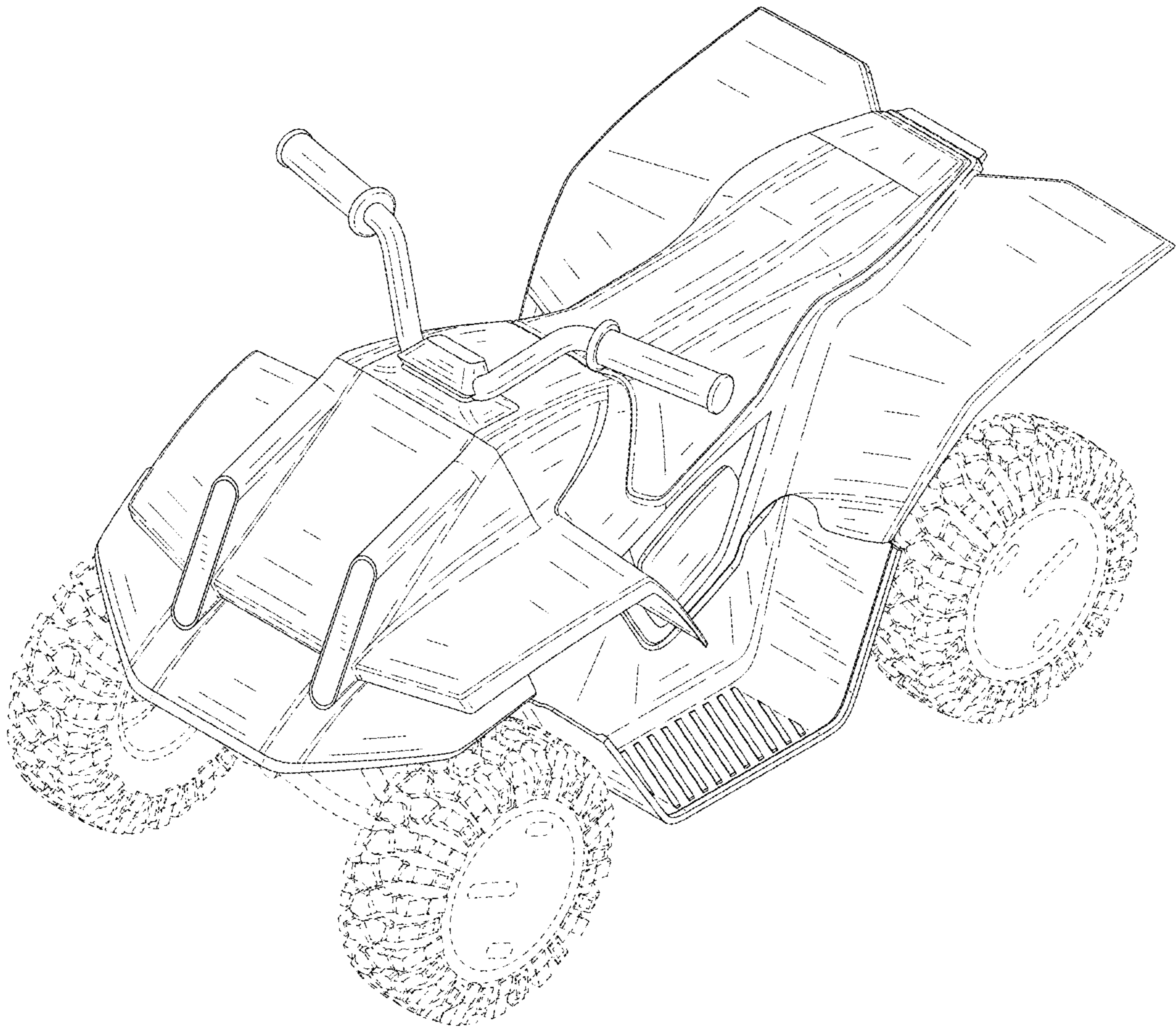


FIG. 1

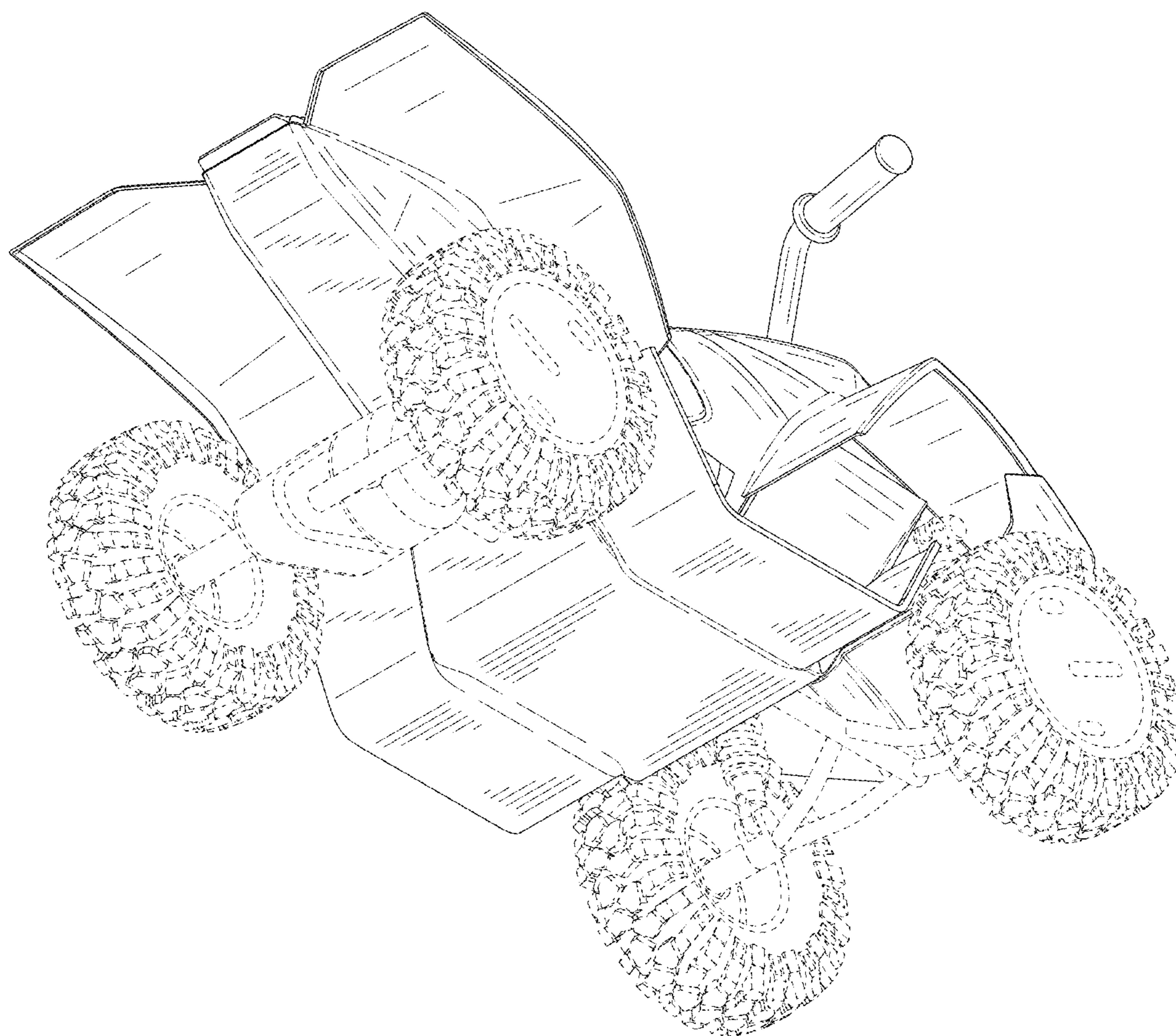


FIG. 2

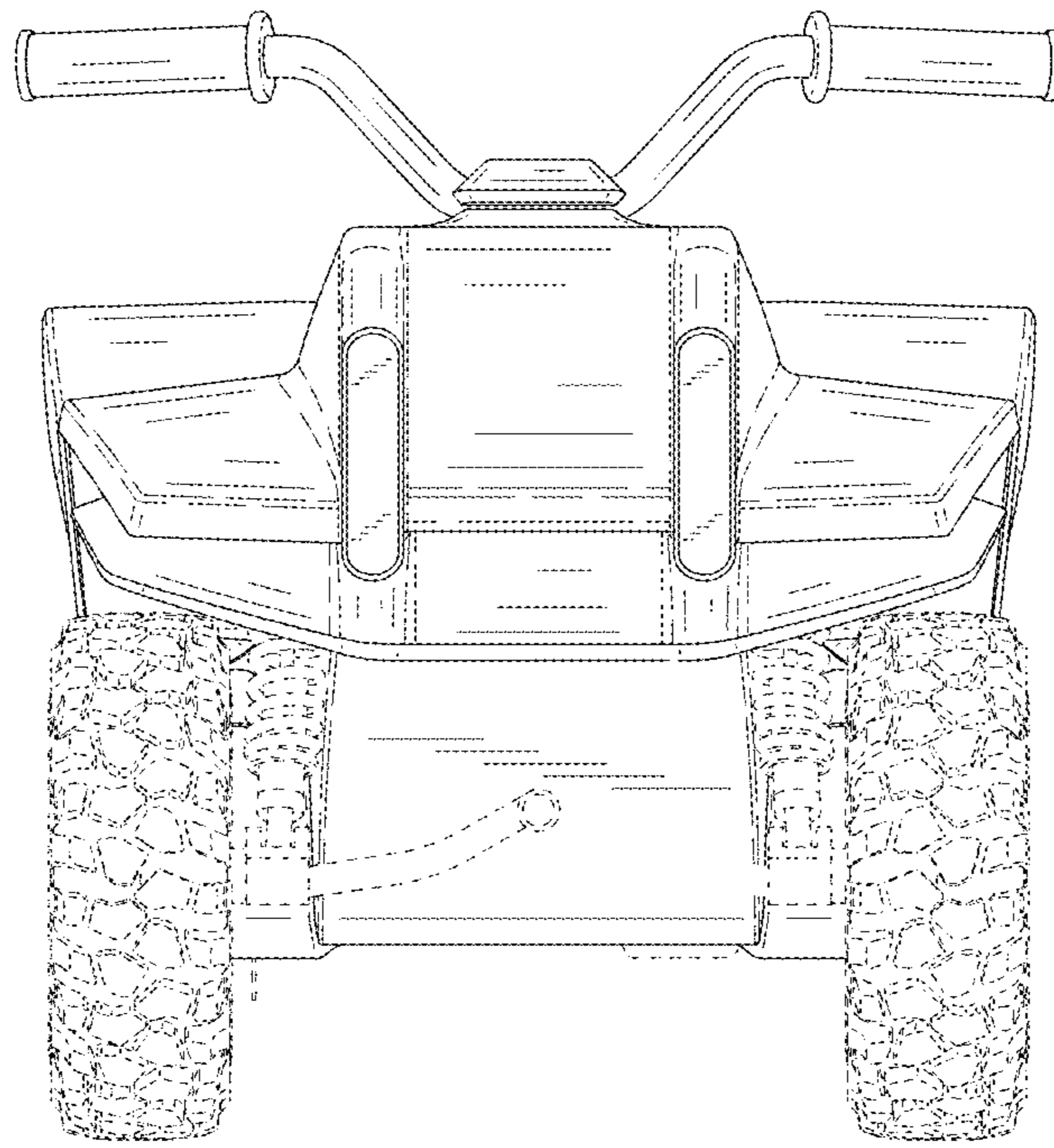


FIG. 3

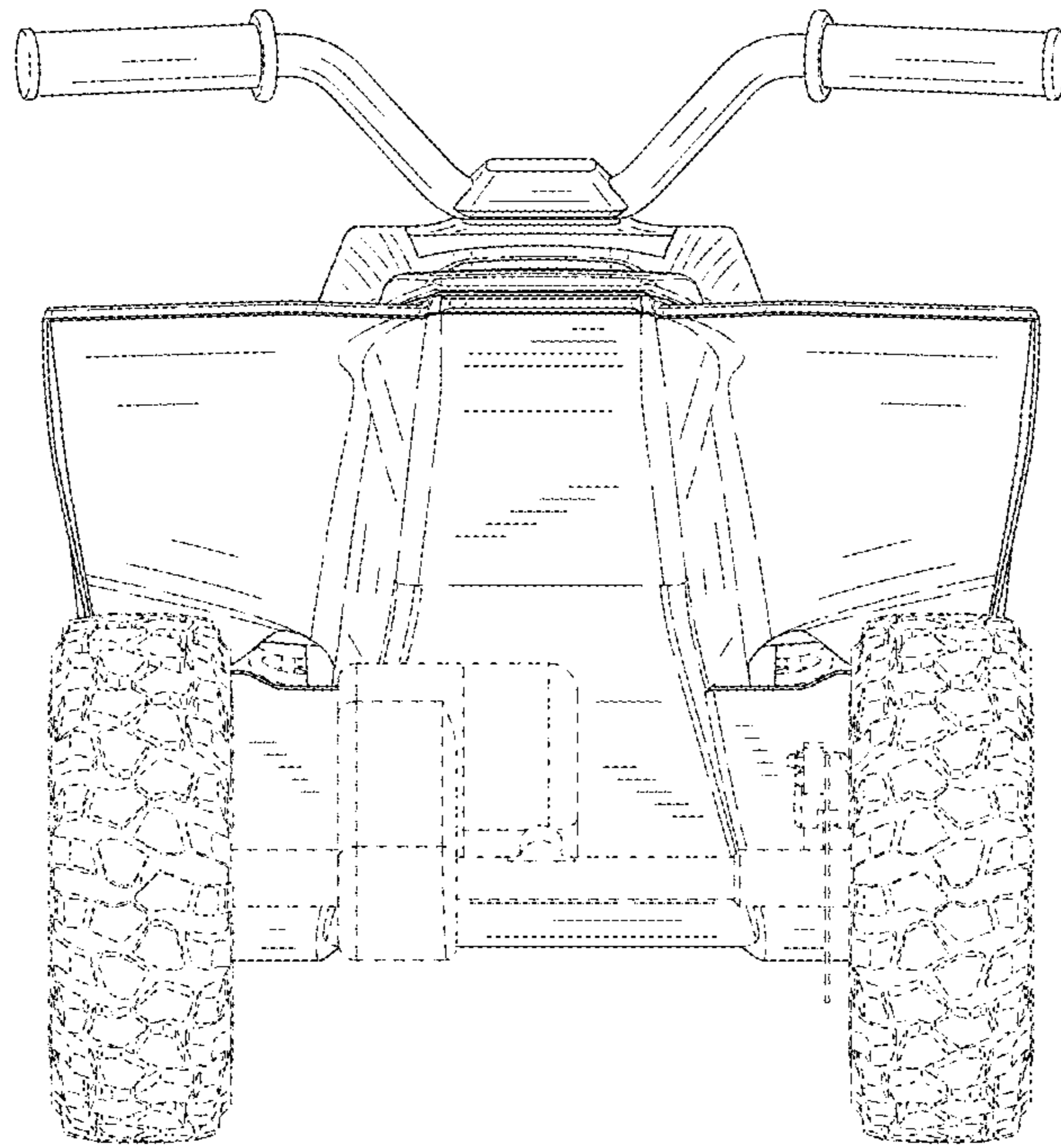


FIG. 4

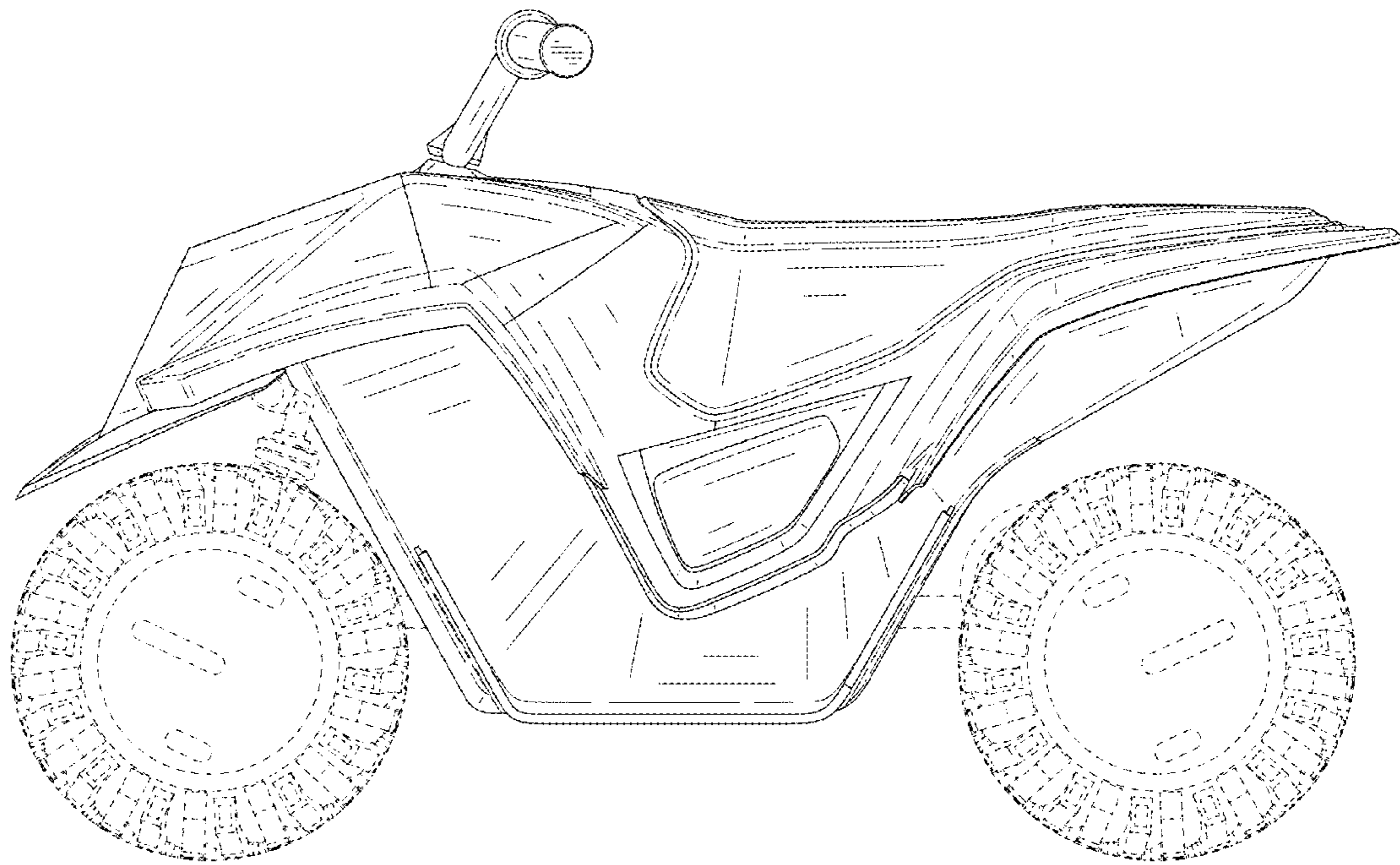


FIG. 5

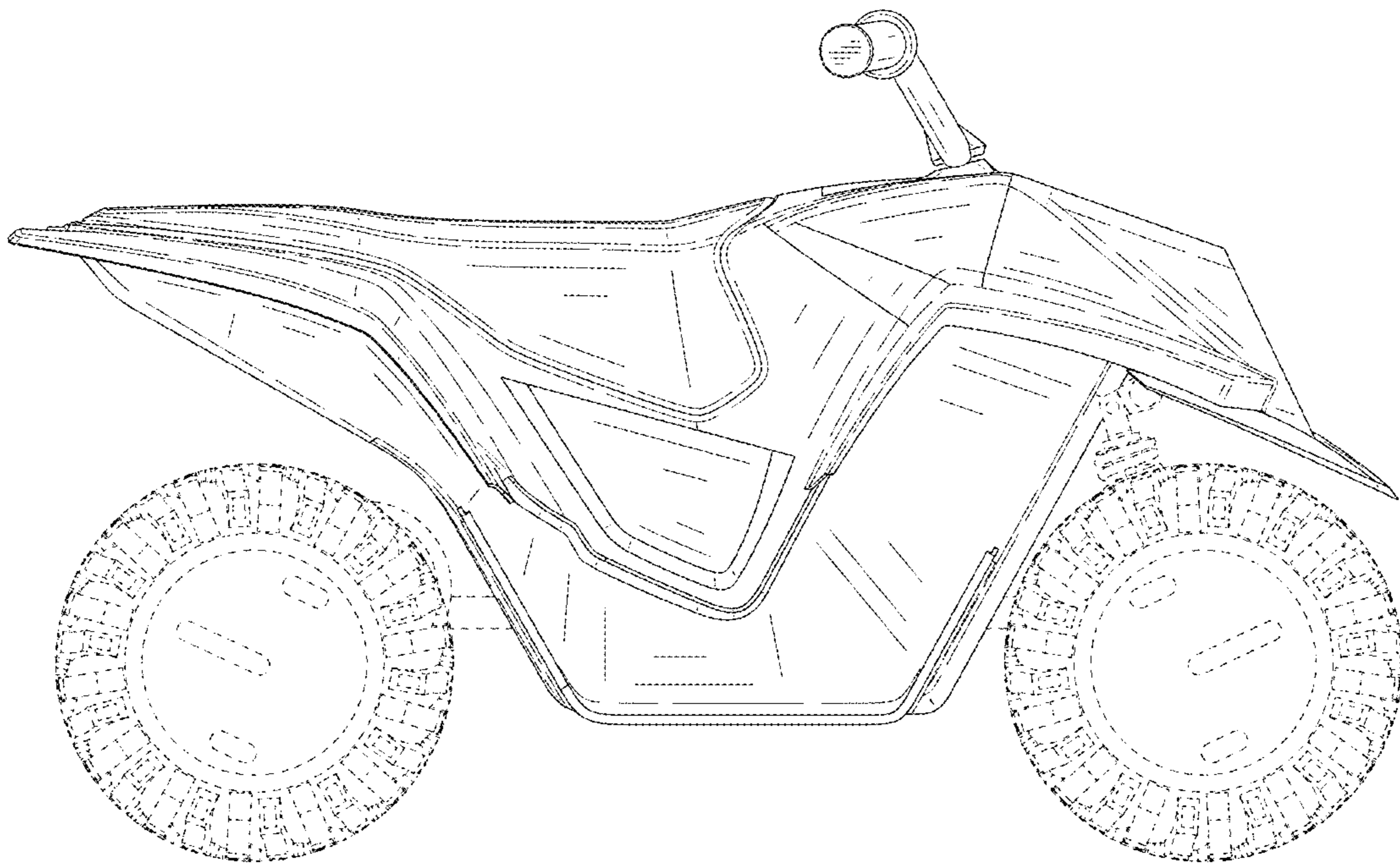


FIG. 6

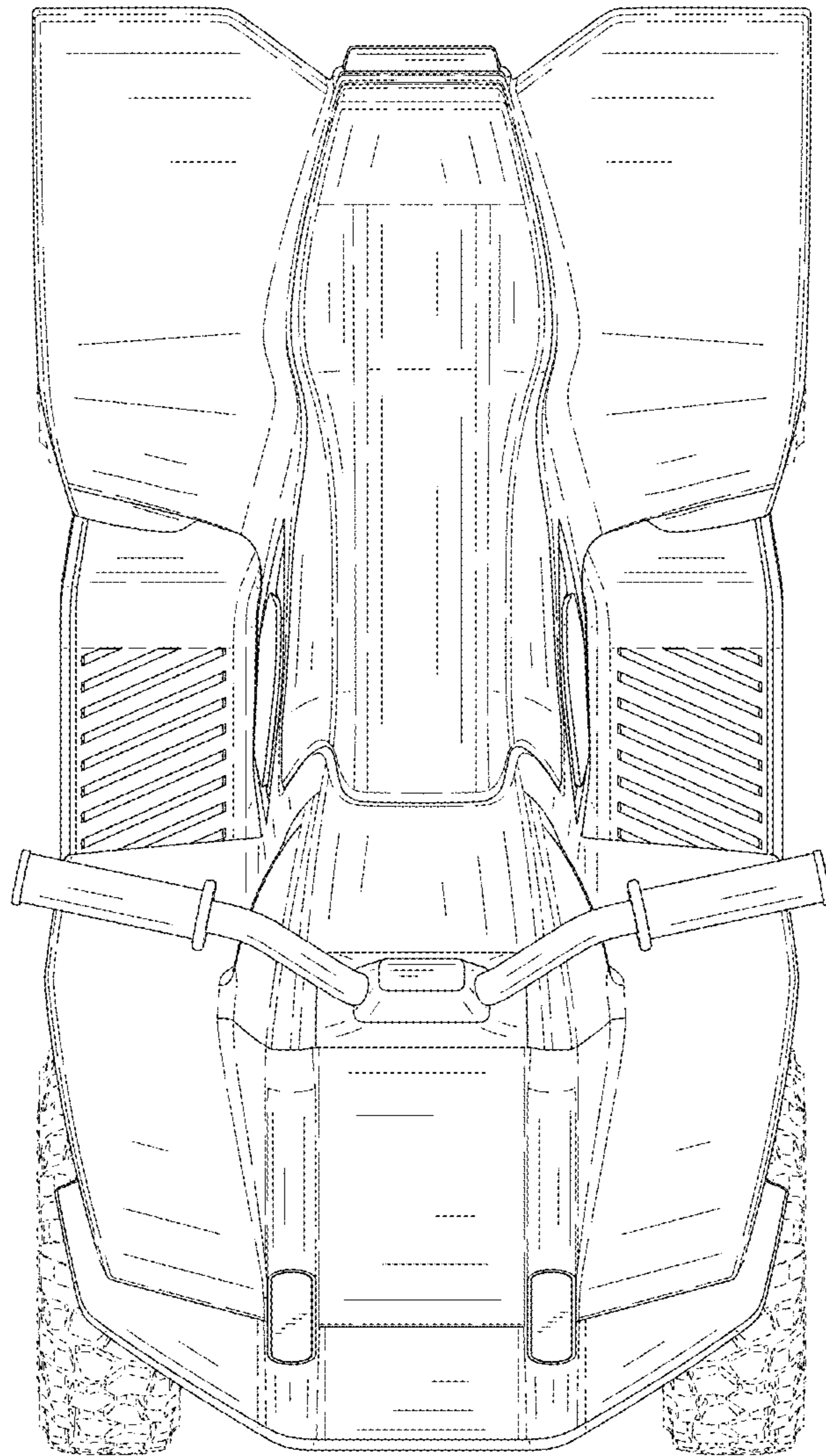


FIG. 7

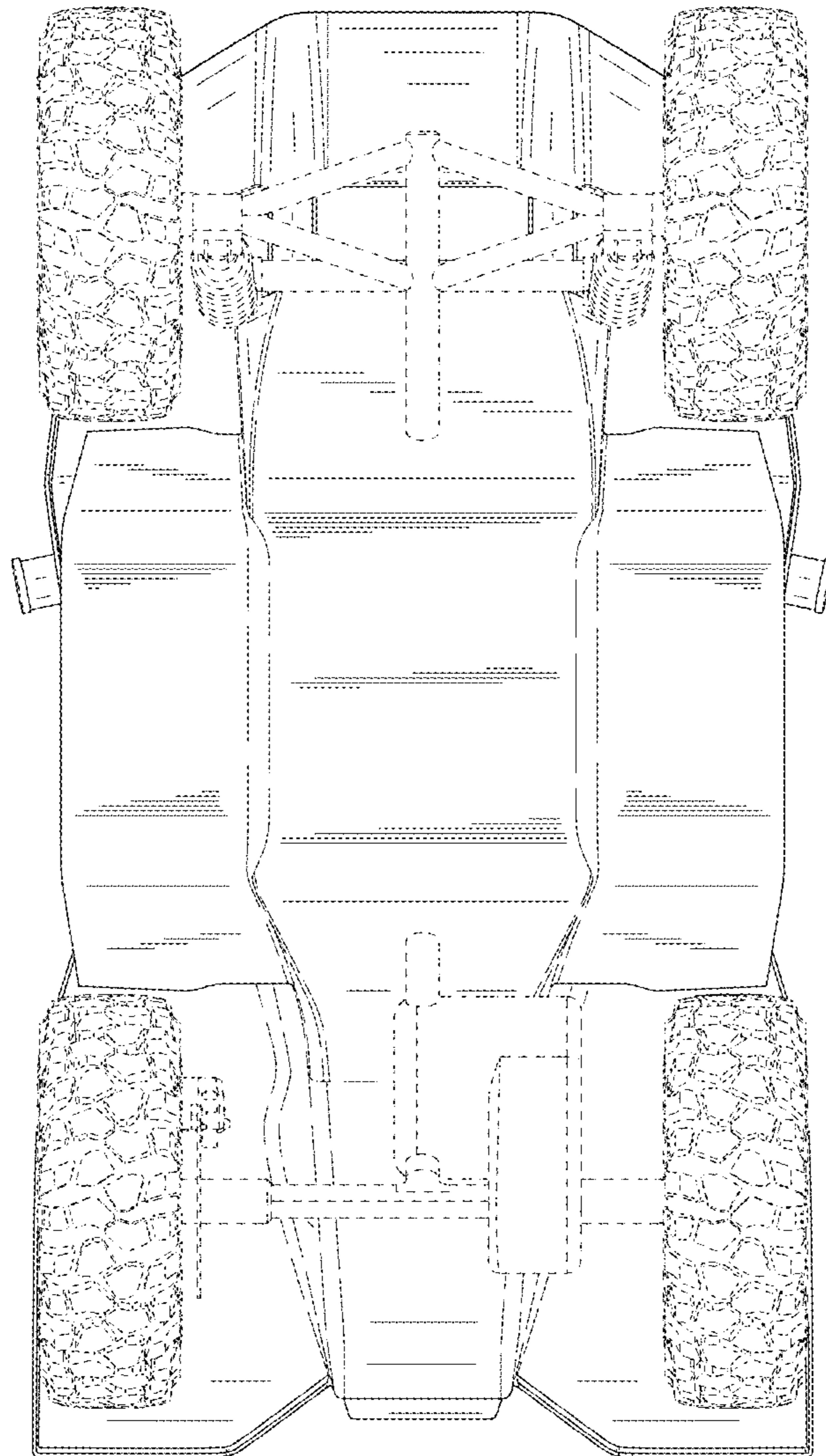


FIG. 8

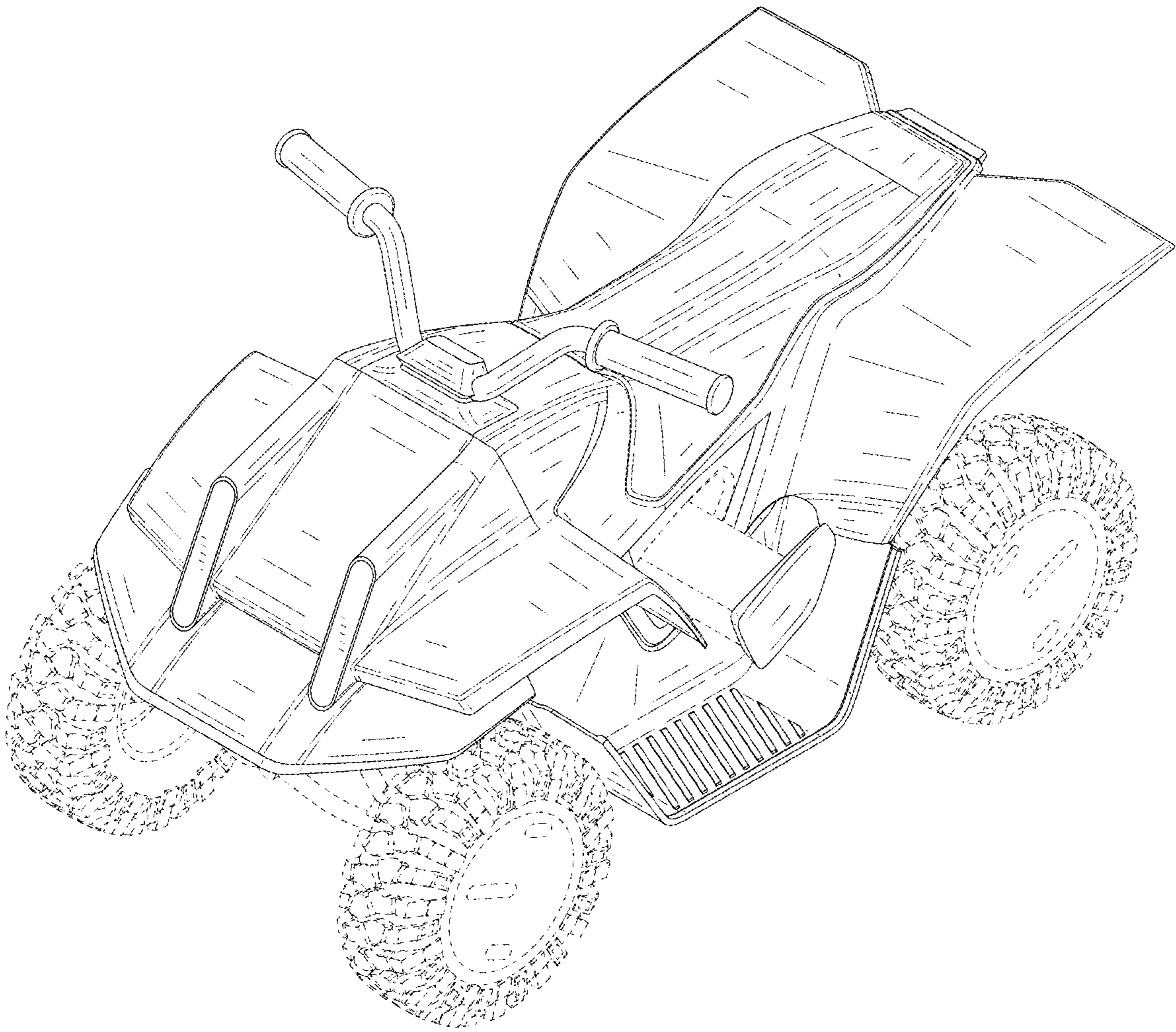


FIG. 9