



US00D983091S

(12) **United States Design Patent** (10) **Patent No.:** **US D983,091 S**
Badstuebner et al. (45) **Date of Patent:** **** Apr. 11, 2023**

(54) **MOTOR VEHICLE BODY, TOY REPLICA AND/OR OTHER REPLICA**

(71) Applicant: **Daimler AG**, Stuttgart (DE)

(72) Inventors: **Achim-Dietrich Badstuebner**, Sindelfingen (DE); **Denis Di Pardo**, Nufringen (DE); **Robert Lesnik**, Leonberg (DE); **Laurent Olivier**, Roquefort les Pins (FR); **Thomas Saelzle**, Kornwestheim (DE); **Gorden Wagener**, Wangen (DE)

(73) Assignee: **Mercedes-Benz Group AG**, Stuttgart (DE)

(**) Term: **15 Years**

(21) Appl. No.: **29/805,106**

(22) Filed: **Aug. 25, 2021**

(30) **Foreign Application Priority Data**

Feb. 26, 2021 (DE) 402021200915.2

(51) **LOC (14) Cl.** **12-08**

(52) **U.S. Cl.**
USPC **D12/91**

(58) **Field of Classification Search**
USPC D12/86, 90-92, 164; D21/433, 434, 533, D21/535; 296/181.1-181.5, 183.1
CPC B62D 25/00; B62D 25/06; B62D 33/00; B62D 35/00
See application file for complete search history.

(56) **References Cited**

U.S. PATENT DOCUMENTS

D608,695 S * 1/2010 Burki D12/91
D827,497 S * 9/2018 Frei D12/91

D857,557 S * 8/2019 Badstuebner D12/92
D859,216 S * 9/2019 Badstuebner D12/92
D862,287 S * 10/2019 Badstuebner D12/91
D867,212 S * 11/2019 Badstuebner D12/91
D873,715 S * 1/2020 Badstuebner D12/91
D873,716 S * 1/2020 Badstuebner D12/91
D886,679 S * 6/2020 Hellwig D12/91
D914,543 S * 3/2021 Badstuebner D12/91
D929,900 S * 9/2021 Badstuebner D12/91
D933,531 S * 10/2021 Badstuebner D12/92
D941,709 S * 1/2022 Badstuebner D12/92
D944,688 S * 3/2022 Badstuebner D12/92
D962,825 S * 9/2022 Badstuebner D12/92

* cited by examiner

Primary Examiner — Melody N Brown

(74) *Attorney, Agent, or Firm* — Crowell & Moring LLP

(57) **CLAIM**

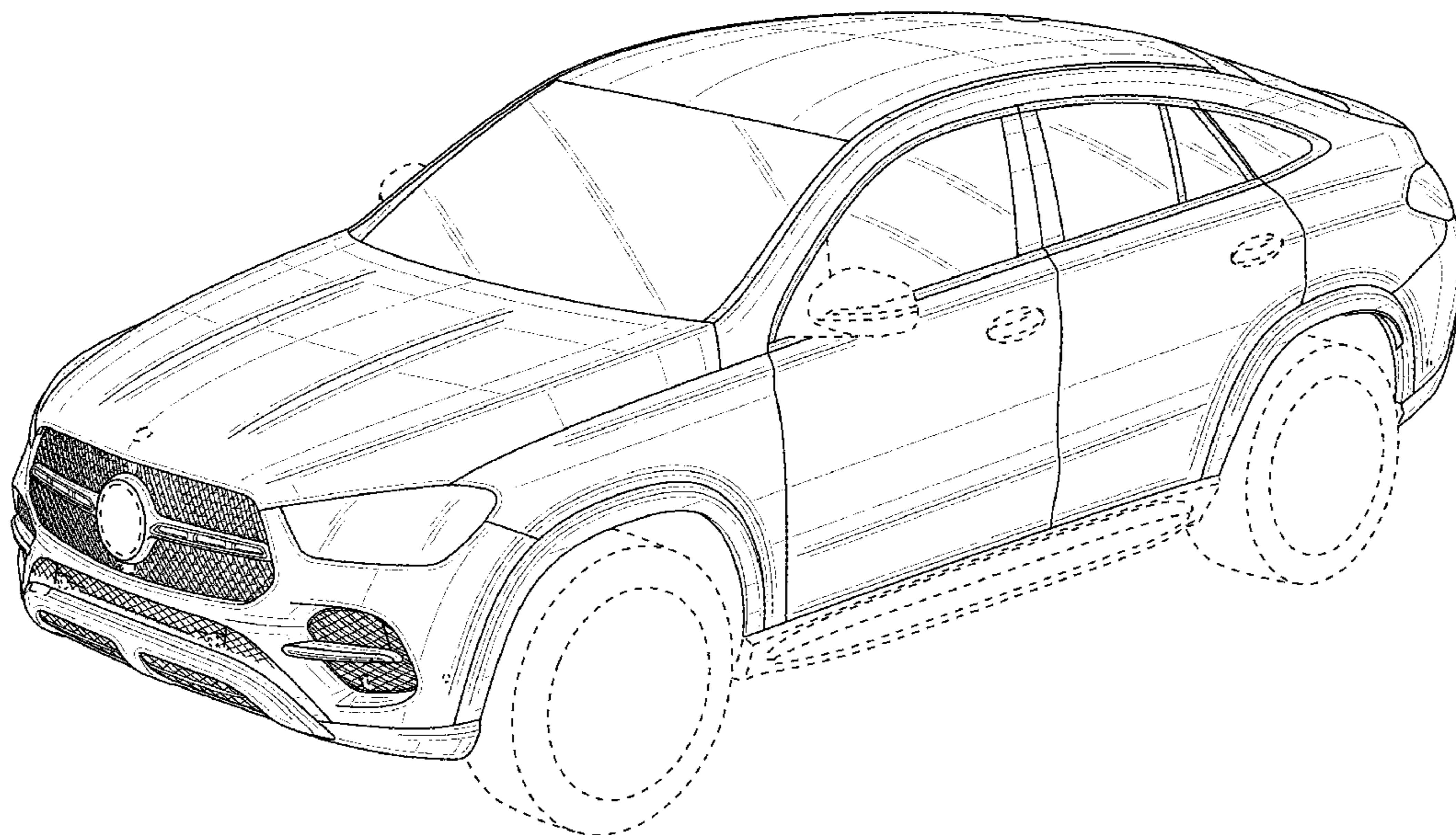
The ornamental design for a motor vehicle body, toy replica and/or other replica, as shown and described.

DESCRIPTION

This application contains subject matter related to the following co-pending U.S. design patent application: Application Ser. No. 29/805,105, filed herewith and entitled “Motor Vehicle Body, Toy Replica, and/or Other Replica”. FIG. 1 is a front perspective view of a motor vehicle body, toy replica and/or other replica showing our new design; FIG. 2 is a left, rear perspective view thereof; FIG. 3 is a front view thereof; FIG. 4 is a rear view thereof; FIG. 5 is a right side view thereof; FIG. 6 is a left side view thereof; and, FIG. 7 is a top view thereof.

The broken lines shown throughout the drawing views are for environmental and illustrative purposes that form no part of the claimed design.

1 Claim, 7 Drawing Sheets



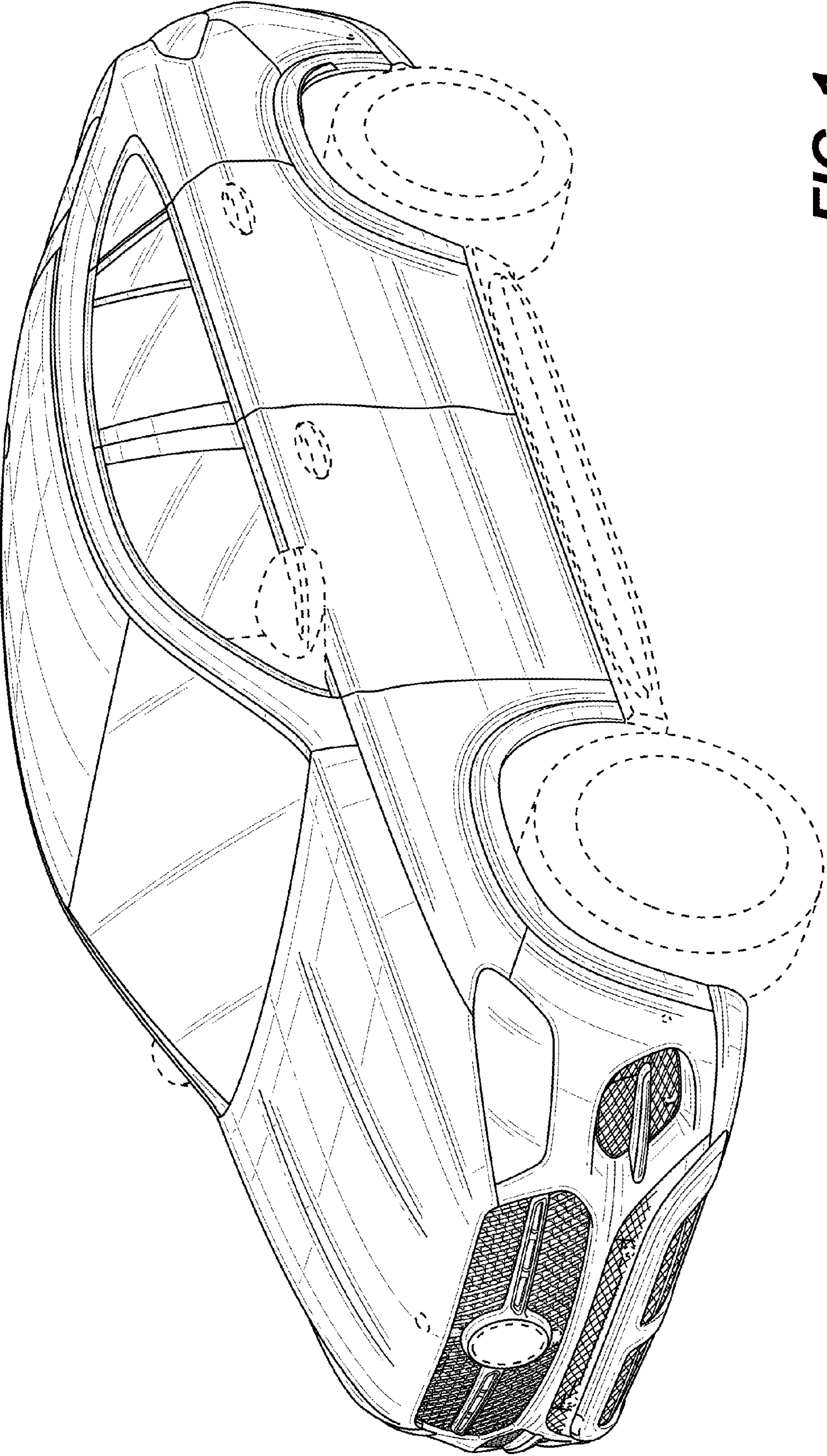


FIG. 1

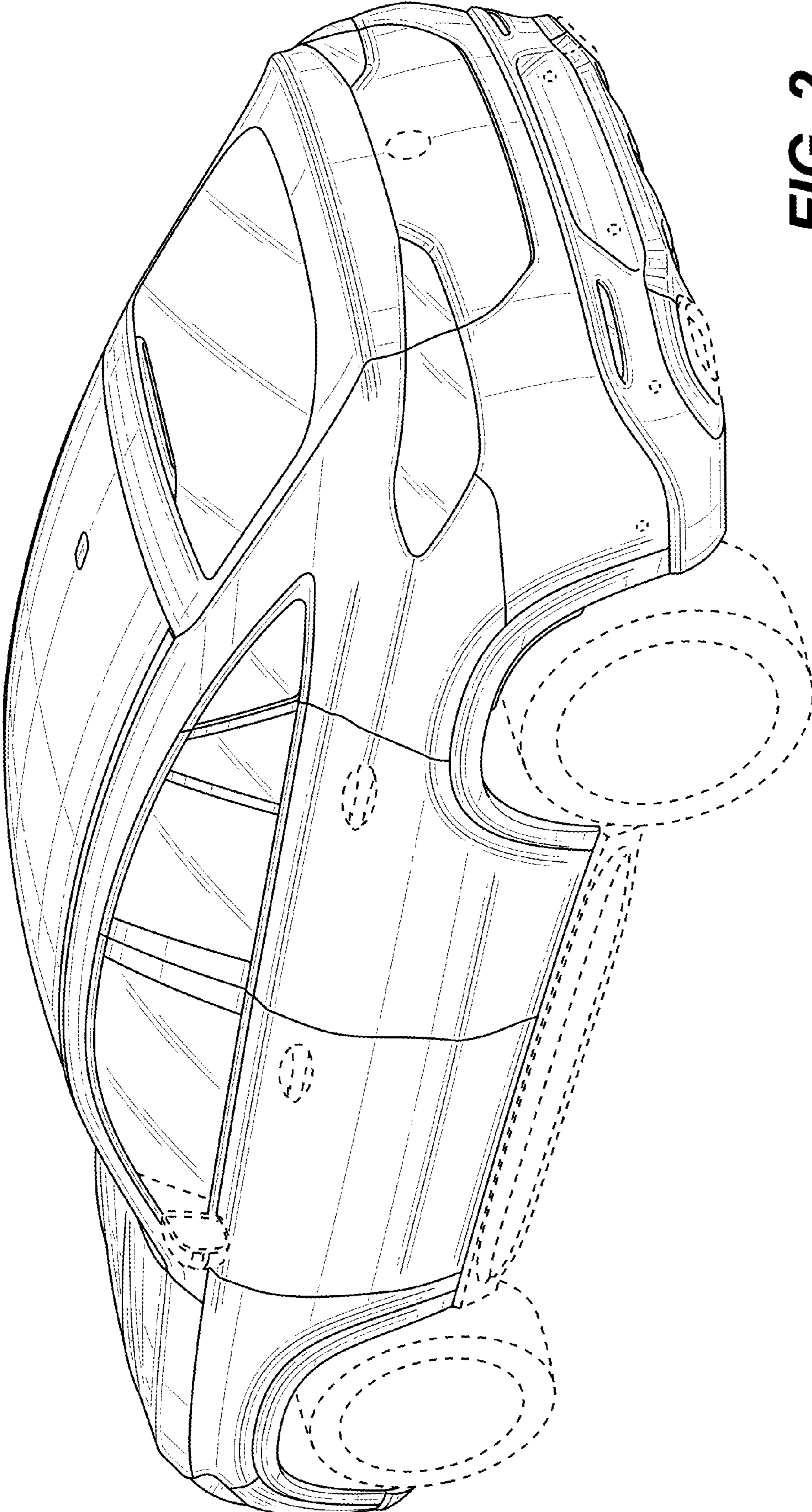


FIG. 2

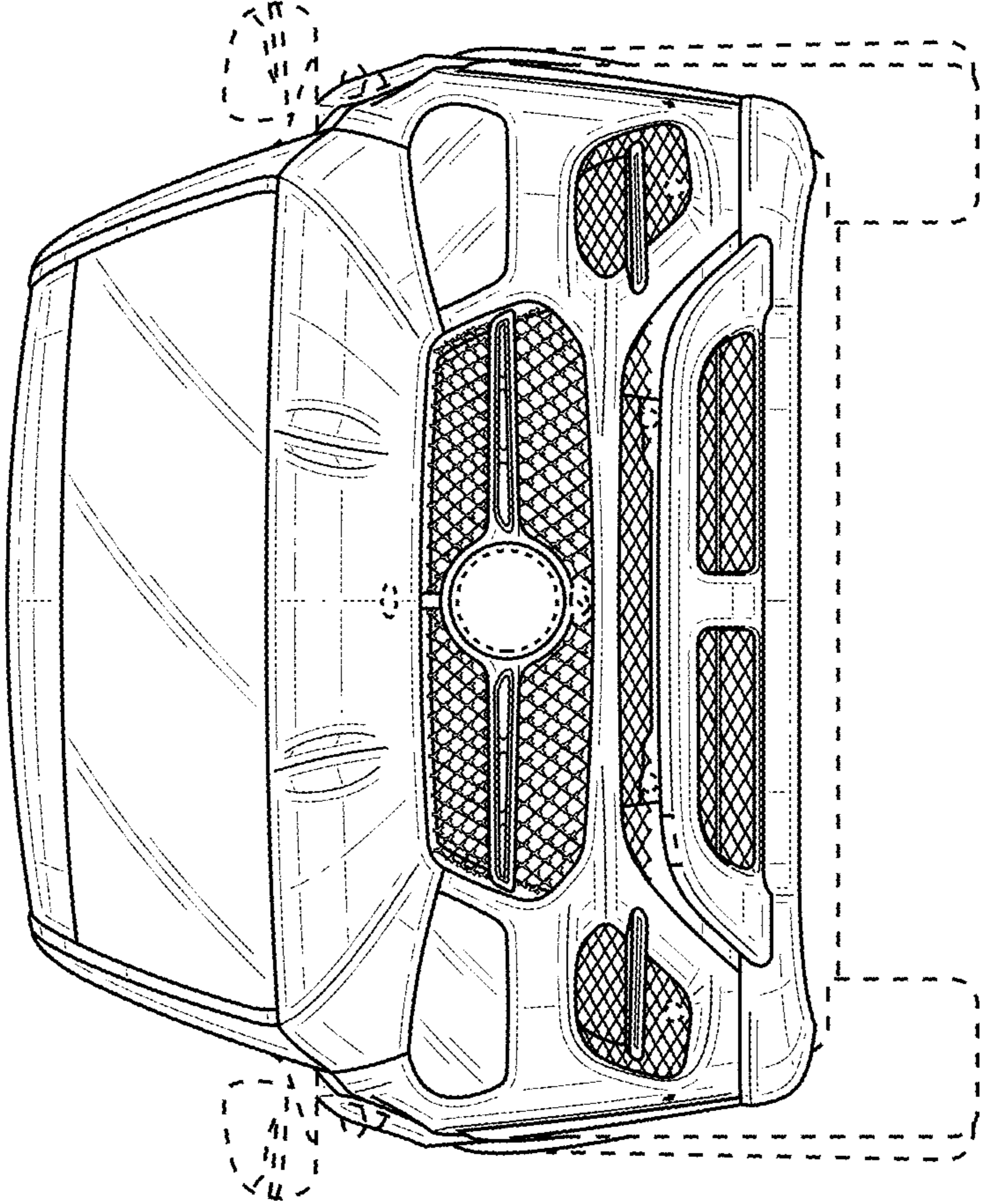


FIG. 3

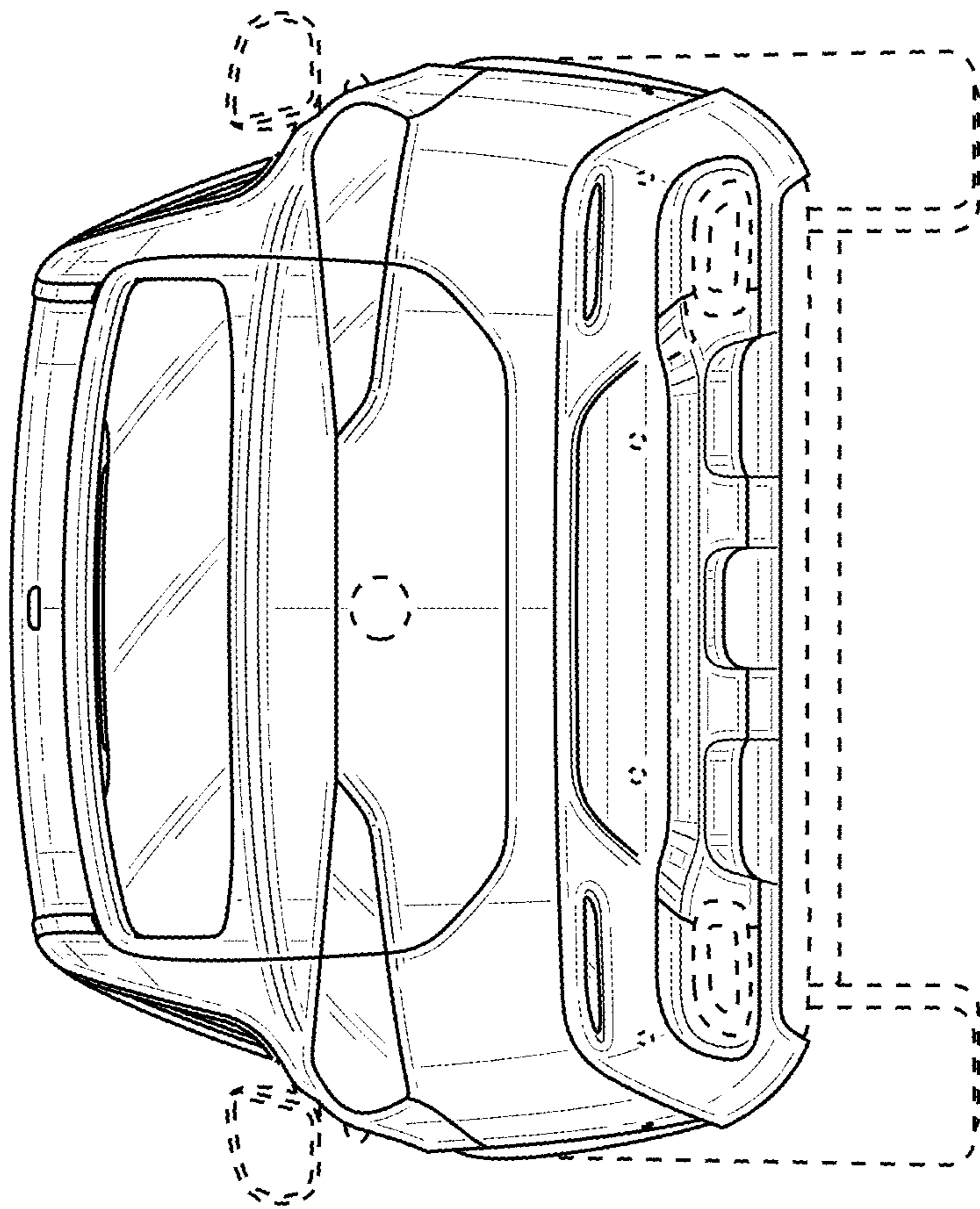


FIG. 4

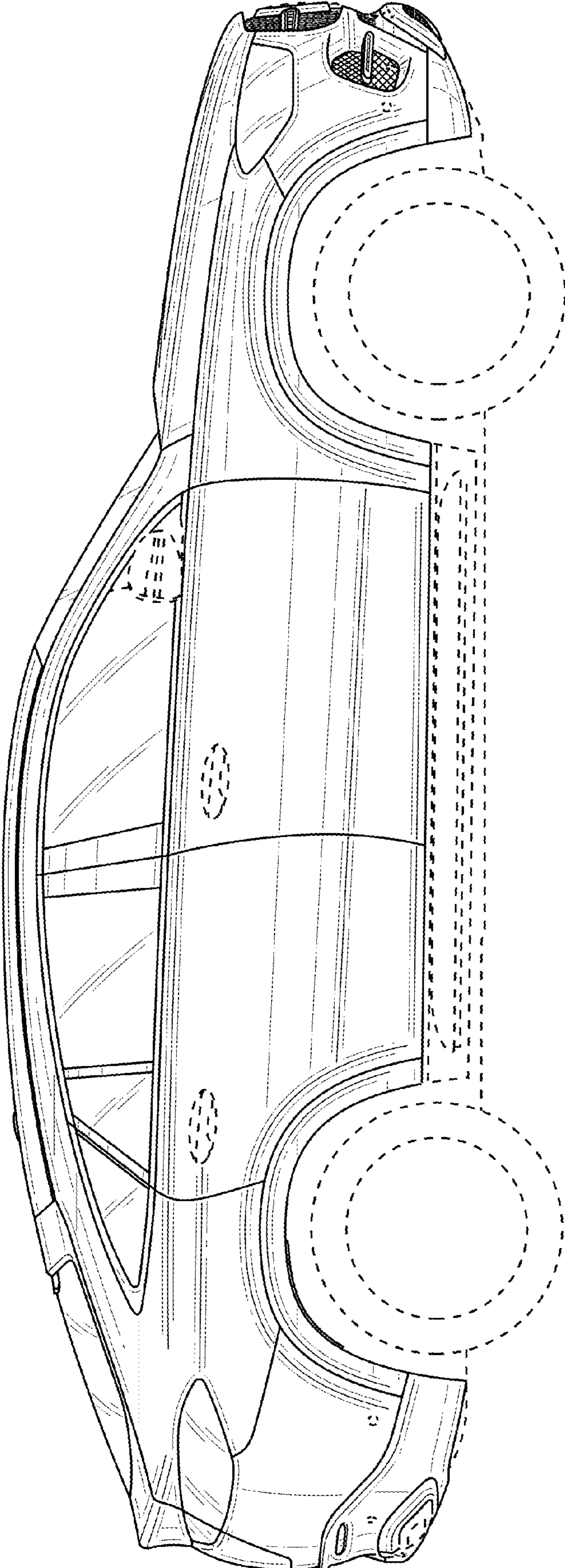


FIG. 5

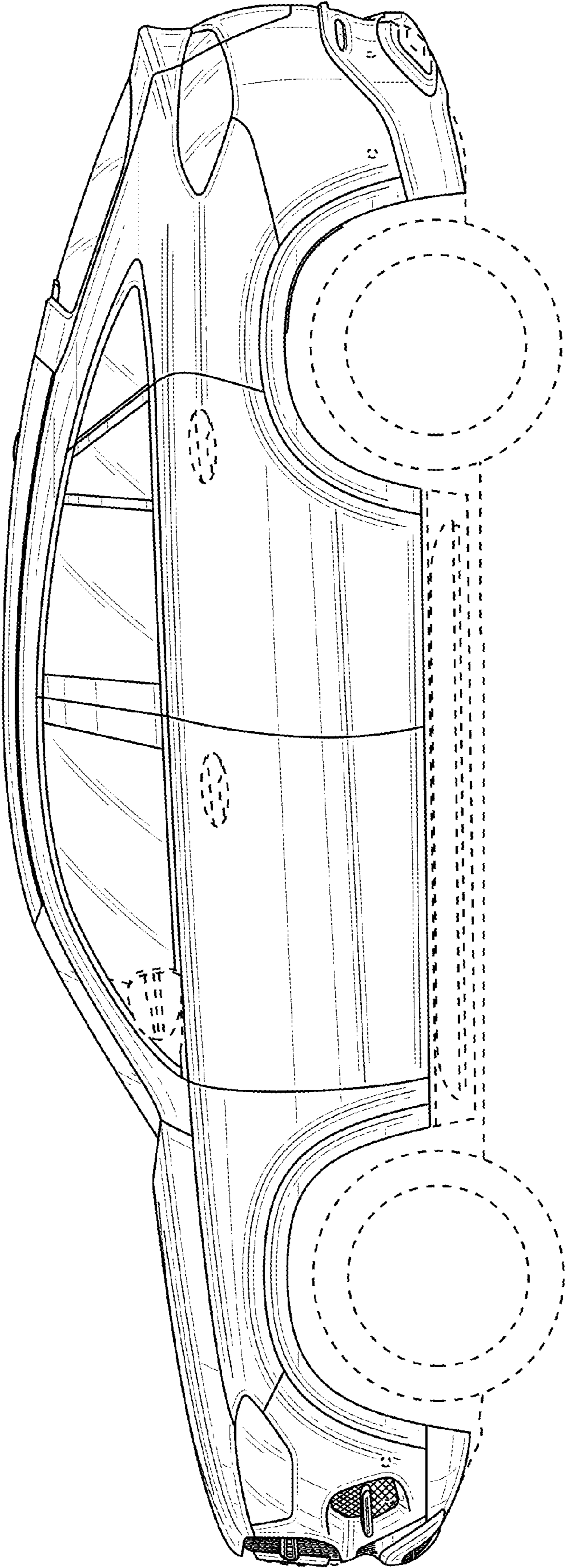


FIG. 6

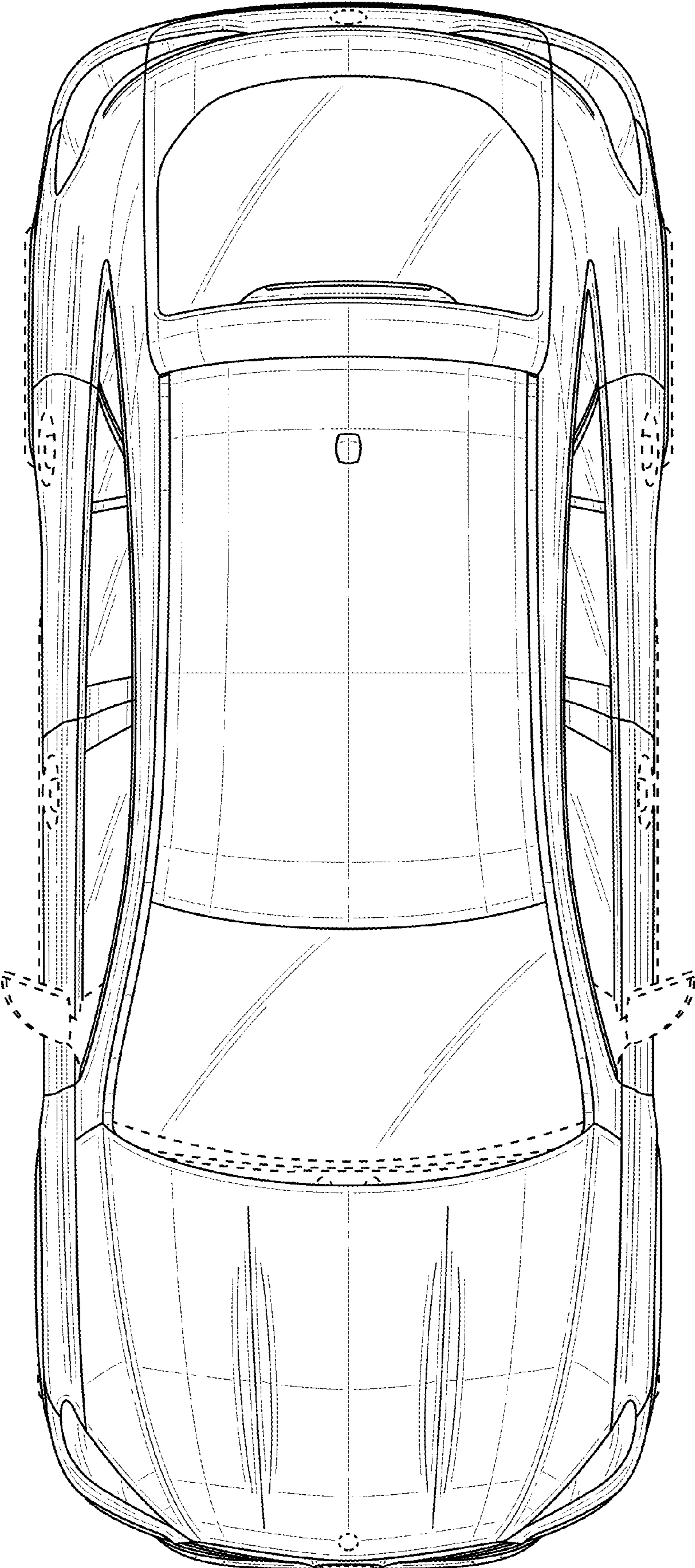


FIG. 7