



US00D983089S

(12) **United States Design Patent**  
**Lee**

(10) **Patent No.:** **US D983,089 S**  
(45) **Date of Patent:** **\*\* Apr. 11, 2023**

(54) **ELECTRIC VEHICLE**

(71) Applicant: **Alpha Motor Corporation**, Irvine, CA (US)

(72) Inventor: **Edward Lee**, Irvine, CA (US)

(73) Assignee: **Alpha Motor Corporation**, Irvine, CA (US)

(\*\*) Term: **15 Years**

(21) Appl. No.: **29/755,283**

(22) Filed: **Oct. 19, 2020**

(51) **LOC (14) Cl.** ..... **12-08**

(52) **U.S. Cl.**  
USPC ..... **D12/86**

(58) **Field of Classification Search**  
USPC ... D12/1, 14, 82, 84, 85, 86, 87, 88, 89, 90,  
D12/91, 92, 93, 94, 96, 97, 98, 99, 100;  
D21/533, 548, 552, 561  
CPC ..... B60Y 2200/10; B60Y 2200/14; B60Y  
2200/22; B60Y 2200/41; B60Y 2200/90;  
B60Y 2200/91; B60Y 2200/112; B60Y  
2200/141; B60Y 2200/142; B60Y  
2200/1422; B62D 33/00; B62D 33/06;  
B62D 33/077; B62D 33/0604; B62D  
33/0612; B62D 29/045; B62D 31/00;  
B62D 31/003; B62D 25/00  
See application file for complete search history.

(56) **References Cited**

**U.S. PATENT DOCUMENTS**

D356,057 S \* 3/1995 Sacco ..... D12/99  
D423,411 S \* 4/2000 Takei ..... D12/93

D445,466 S \* 7/2001 Ma ..... D21/552  
D531,086 S \* 10/2006 Zhang ..... D12/90  
D550,127 S \* 9/2007 Pfeiffer ..... D12/96  
D614,536 S \* 4/2010 Schneider ..... D12/99  
D614,999 S \* 5/2010 Schneider ..... D12/93  
D628,125 S \* 11/2010 Nemoto ..... D12/96  
D633,824 S \* 3/2011 Fukui ..... D12/91  
D670,199 S \* 11/2012 Zhang ..... D12/91  
D899,310 S \* 10/2020 Kirzinger ..... D12/91  
D944,124 S \* 2/2022 Spada ..... B62D 25/06  
D12/93  
D955,293 S \* 6/2022 Lee ..... D12/91

\* cited by examiner

*Primary Examiner* — Cary M Robinson

*Assistant Examiner* — Adam C Mager

(74) *Attorney, Agent, or Firm* — Fei Hung Yang

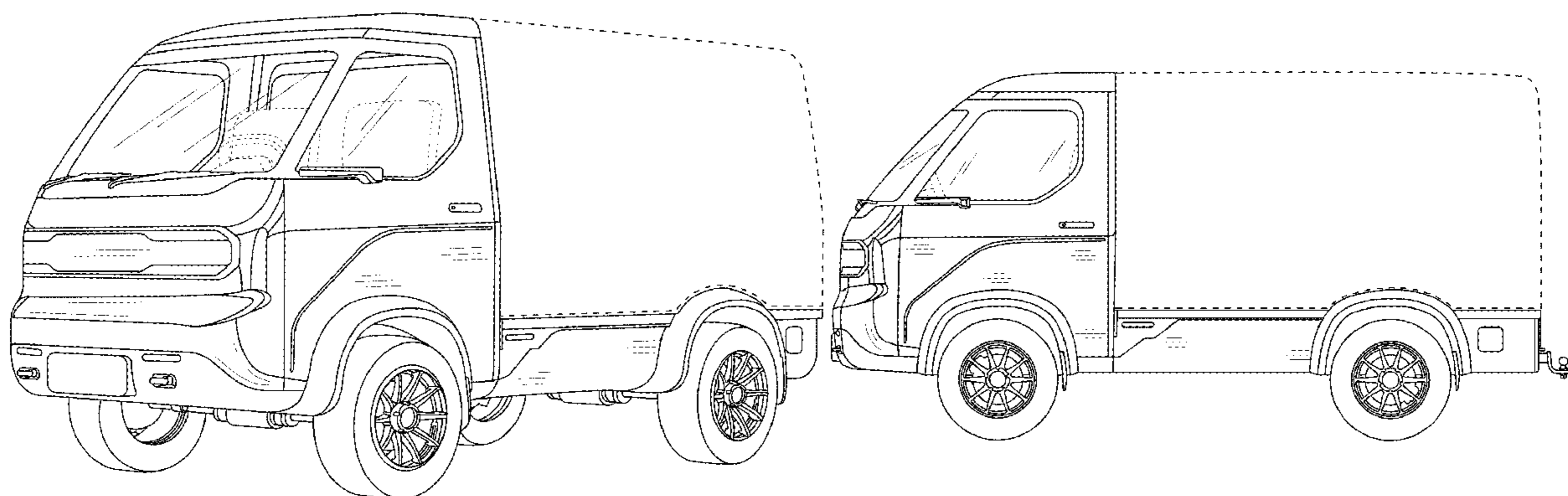
(57) **CLAIM**

The ornamental design for an electric vehicle, as shown and described.

**DESCRIPTION**

FIG. 1 is a front perspective view of electric vehicle;  
FIG. 2 is a rear perspective view thereof;  
FIG. 3 is a front view thereof;  
FIG. 4 is a back view thereof; and,  
FIG. 5 is a right side view thereof, the left side view being a mirror image thereof.  
The broken lines depict portions of the electric vehicle that form no part of the claimed design.

**1 Claim, 3 Drawing Sheets**



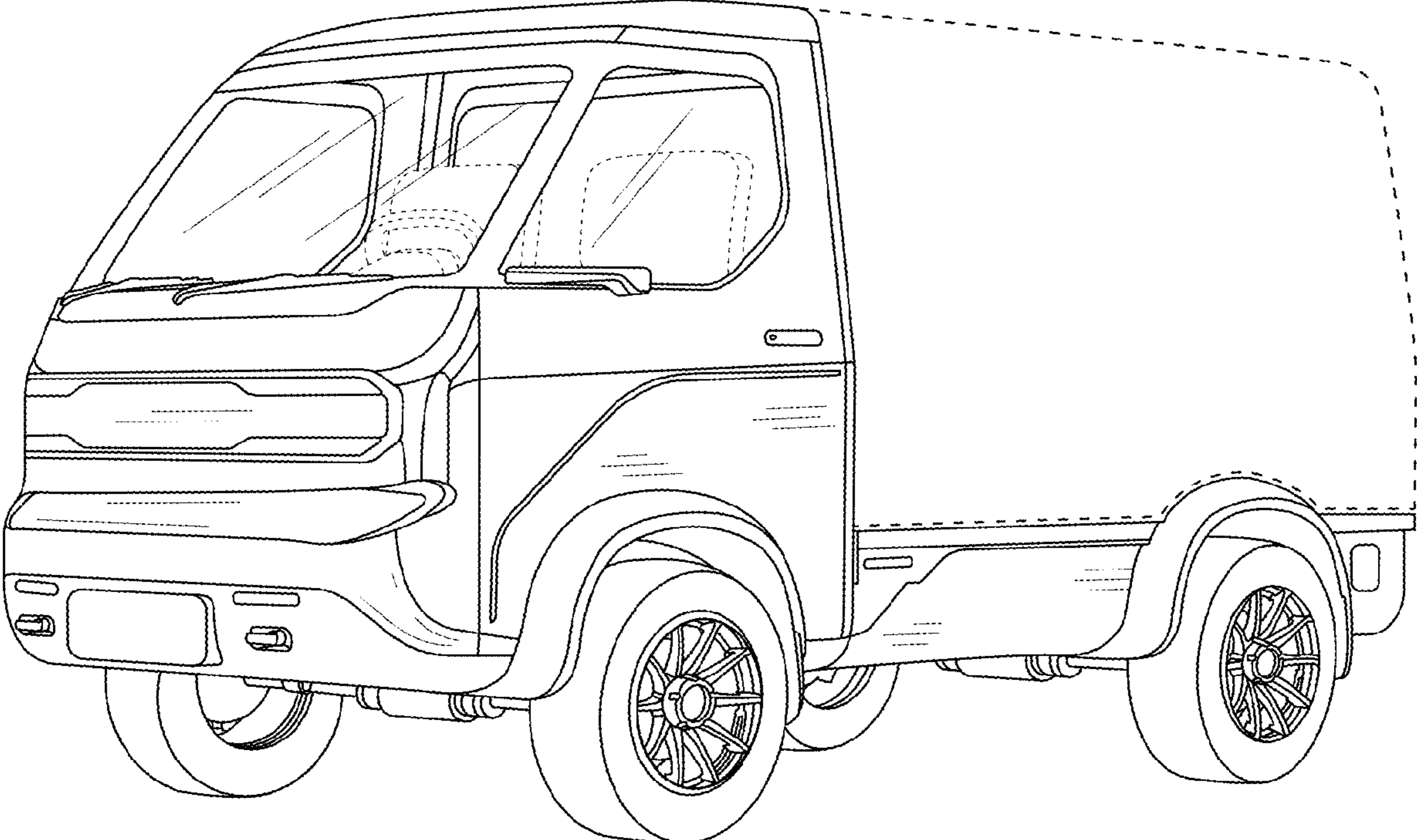


FIG. 1

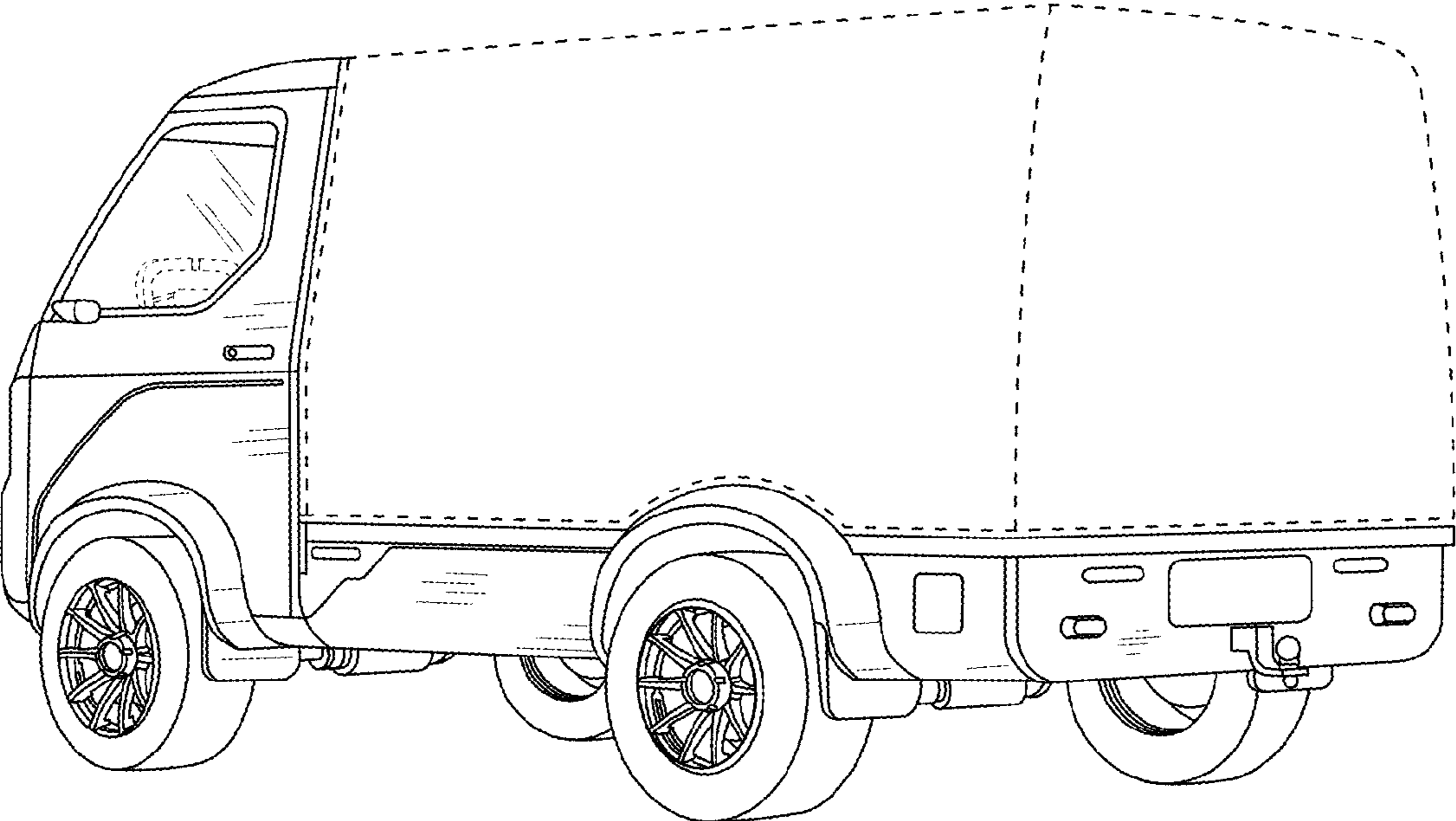


FIG. 2

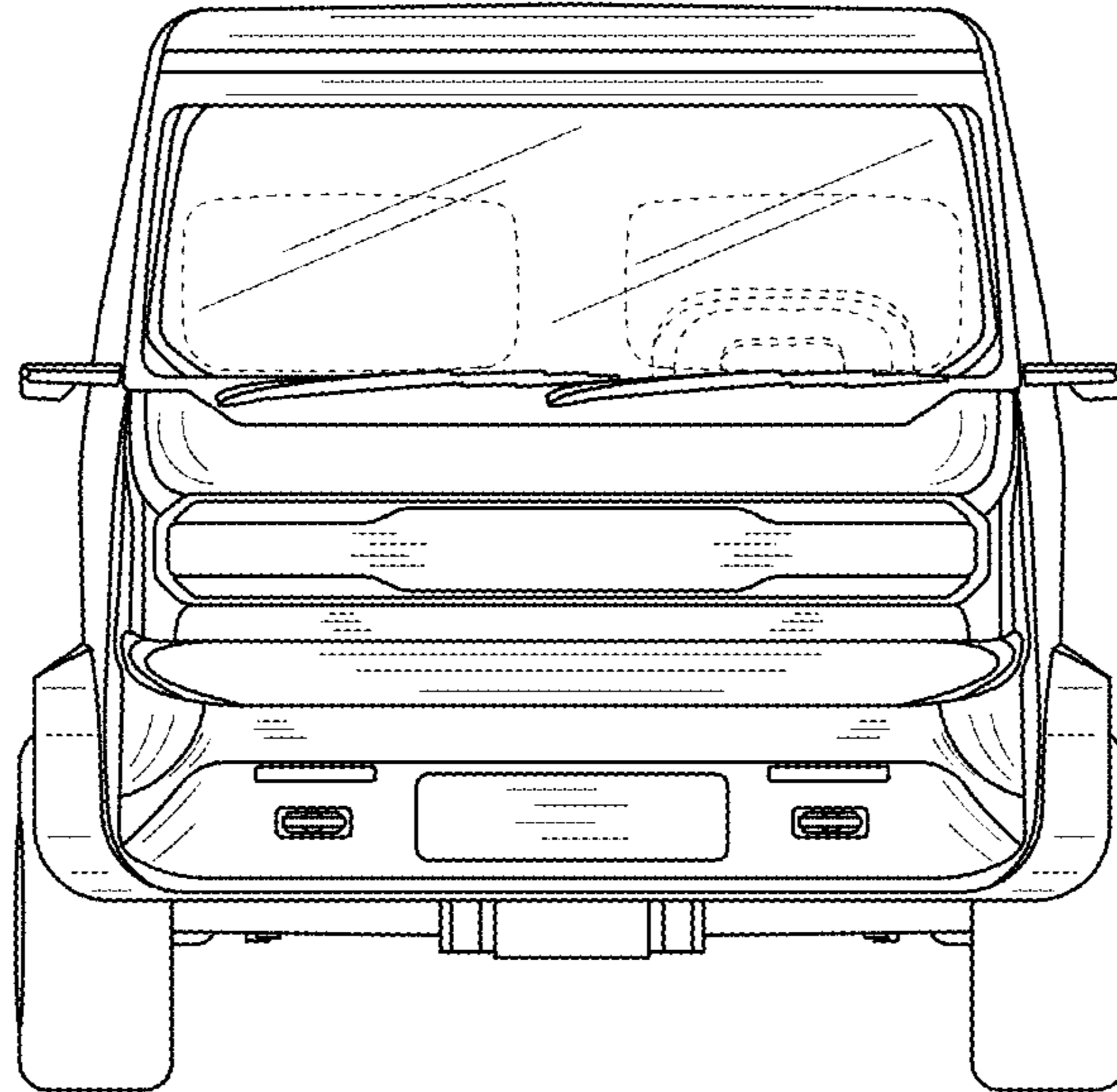


FIG. 3

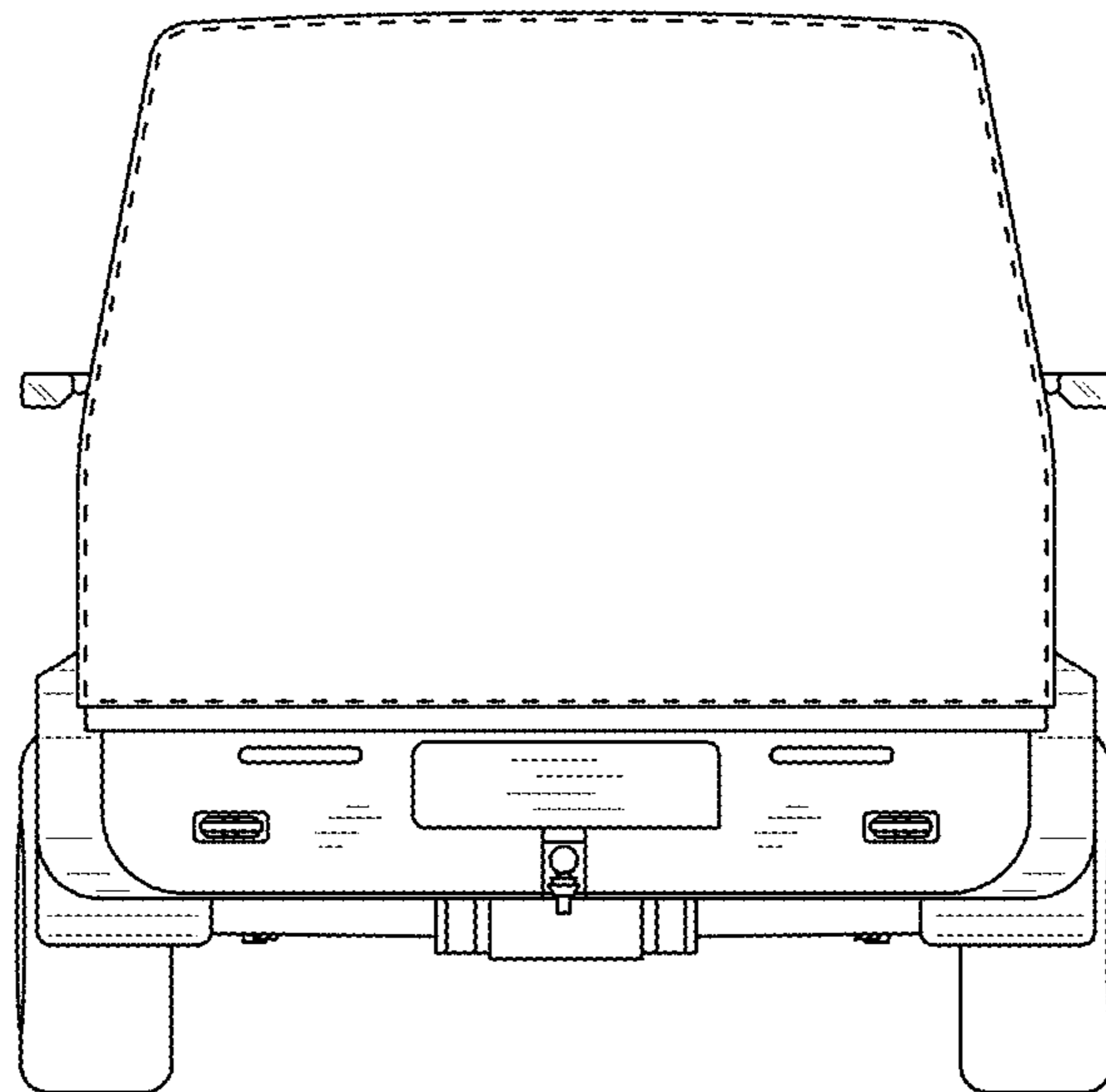


FIG. 4

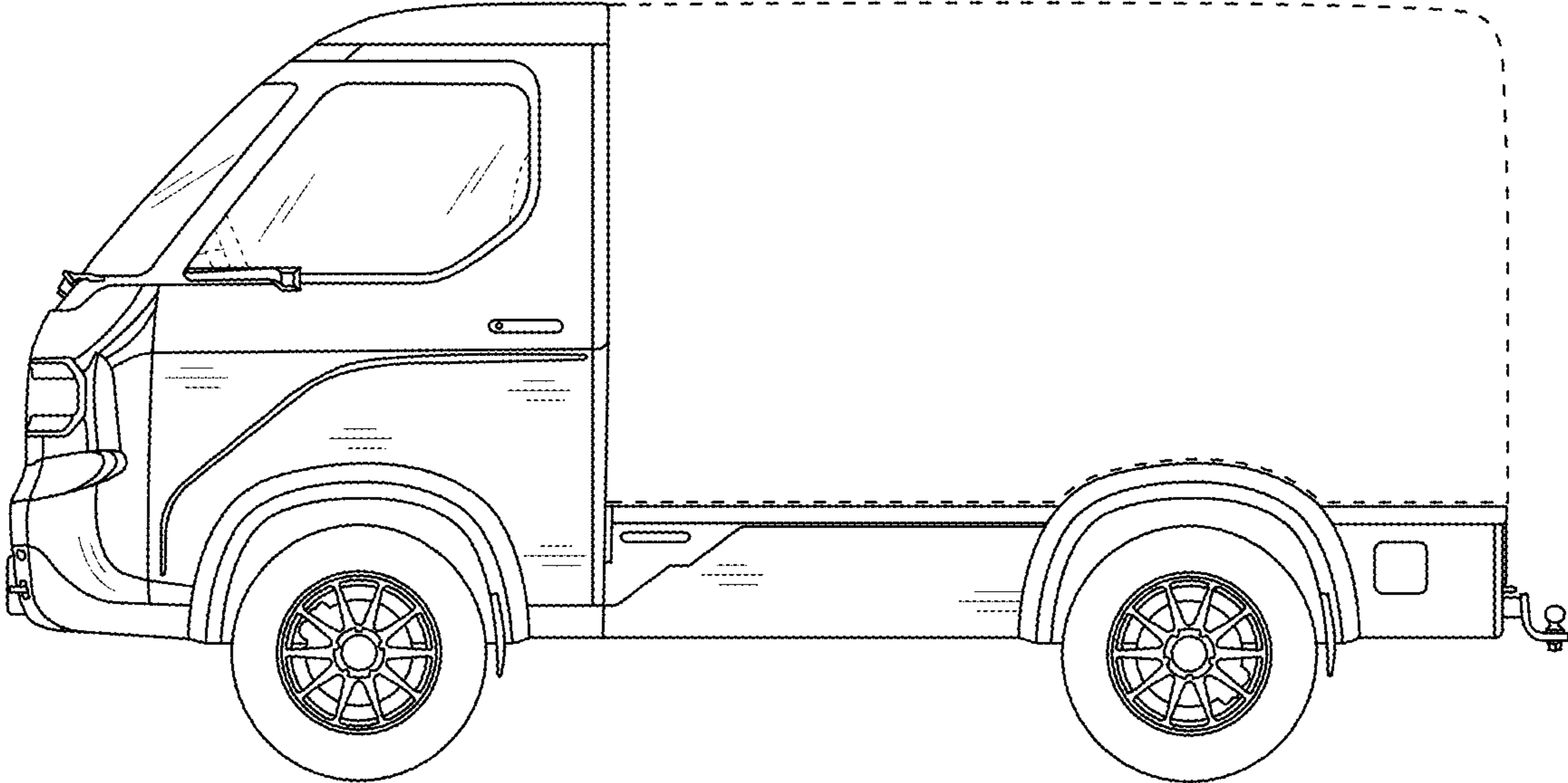


FIG. 5