



US00D983088S

(12) **United States Design Patent**
Deng et al.

(10) **Patent No.:** **US D983,088 S**
(45) **Date of Patent:** **** Apr. 11, 2023**

(54) **CAMERA DRONE**

FOREIGN PATENT DOCUMENTS

(71) Applicant: **Shenzhen Hubsan Technology Co., Ltd.**, Shenzhen (CN)

KR 102339090 B1 * 12/2021

(72) Inventors: **Hailang Deng**, Shenzhen (CN);
Guangyao Chen, Shenzhen (CN);
Yucai Meng, Shenzhen (CN)

OTHER PUBLICATIONS

“DJI Mavic Air 2—Drone Quadcopter UAV with 48MP Camera 4K Video 8K Hyperlapse 1/2" CMOS Sensor 3” amazon.com, post Published Apr. 26, 2020. Retrieved Nov. 1, 2022. Available online at URL: <https://www.amazon.com/DJI-Mavic-Air-Quadcopter-ActiveTrack/dp/B086X7QKHD?th=1> (Year: 2020).*

(73) Assignee: **SHENZHEN HUBSAN TECHNOLOGY CO., LTD.**, Shenzhen (CN)

Primary Examiner — Christian P. McLean
Assistant Examiner — Jessica Lynn Devilbiss
(74) *Attorney, Agent, or Firm* — IPro, PLLC

(**) Term: **15 Years**

(21) Appl. No.: **29/750,567**

(22) Filed: **Sep. 15, 2020**

(51) **LOC (14) Cl.** **12-06**

(52) **U.S. Cl.**
USPC **12/16.1**; D21/443; D21/444

(58) **Field of Classification Search**
USPC D12/16.1, 326, 319, 345; D21/443, 444,
D21/446, 447, 448, 449, 450
CPC B64C 29/0033; B64C 2201/141; B64C
2201/20; B64C 2201/027
See application file for complete search history.

(57) **CLAIM**

The ornamental design for a camera drone, as shown and described.

(56) **References Cited**

U.S. PATENT DOCUMENTS

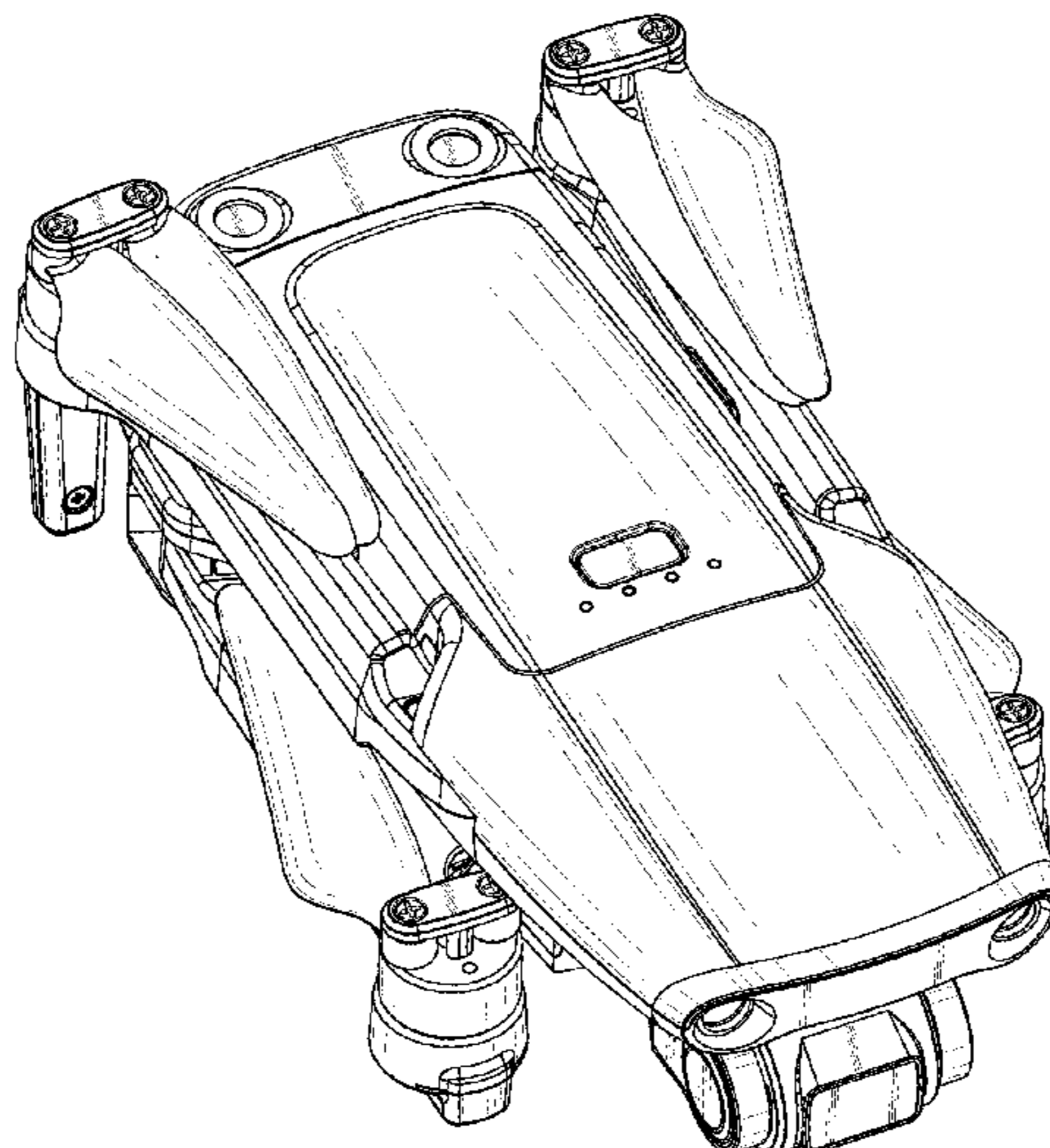
D814,970 S *	4/2018	Chen	D12/16.1
D866,396 S *	11/2019	Chen	D12/16.1
D873,175 S *	1/2020	Li	D12/328
D881,067 S *	4/2020	Zhou	D12/16.1
D884,554 S *	5/2020	Chen	D12/16.1
D906,171 S *	12/2020	Chen	D21/441
D906,880 S *	1/2021	Chen	D21/441
D906,881 S *	1/2021	Chen	D21/441
D908,588 S *	1/2021	Zhao	D12/328
D918,087 S *	5/2021	He	D12/319
D918,308 S *	5/2021	Xu	D21/441
D953,201 S *	5/2022	Costier	B64C 27/50 D12/16.1

DESCRIPTION

FIG. 1 is a perspective view of a camera drone embodying the new design, wherein the drone is in a folded form;
FIG. 2 is a front view thereof;
FIG. 3 is a back view thereof;
FIG. 4 is a side view thereof;
FIG. 5 is another side view thereof;
FIG. 6 is a top view thereof;
FIG. 7 is a bottom view thereof;
FIG. 8 is another perspective view of the camera drone in an unfolded form;
FIG. 9 is a front view thereof;
FIG. 10 is a back view thereof;
FIG. 11 is a side view thereof;
FIG. 12 is another side view thereof;
FIG. 13 is a top view thereof; and,
FIG. 14 is a bottom view thereof.

(Continued)

1 Claim, 14 Drawing Sheets



(56)

References Cited

U.S. PATENT DOCUMENTS

D966,144 S * 10/2022 Wang D12/16.1
2020/0117197 A1 * 4/2020 Oudwan B64D 47/08

* cited by examiner

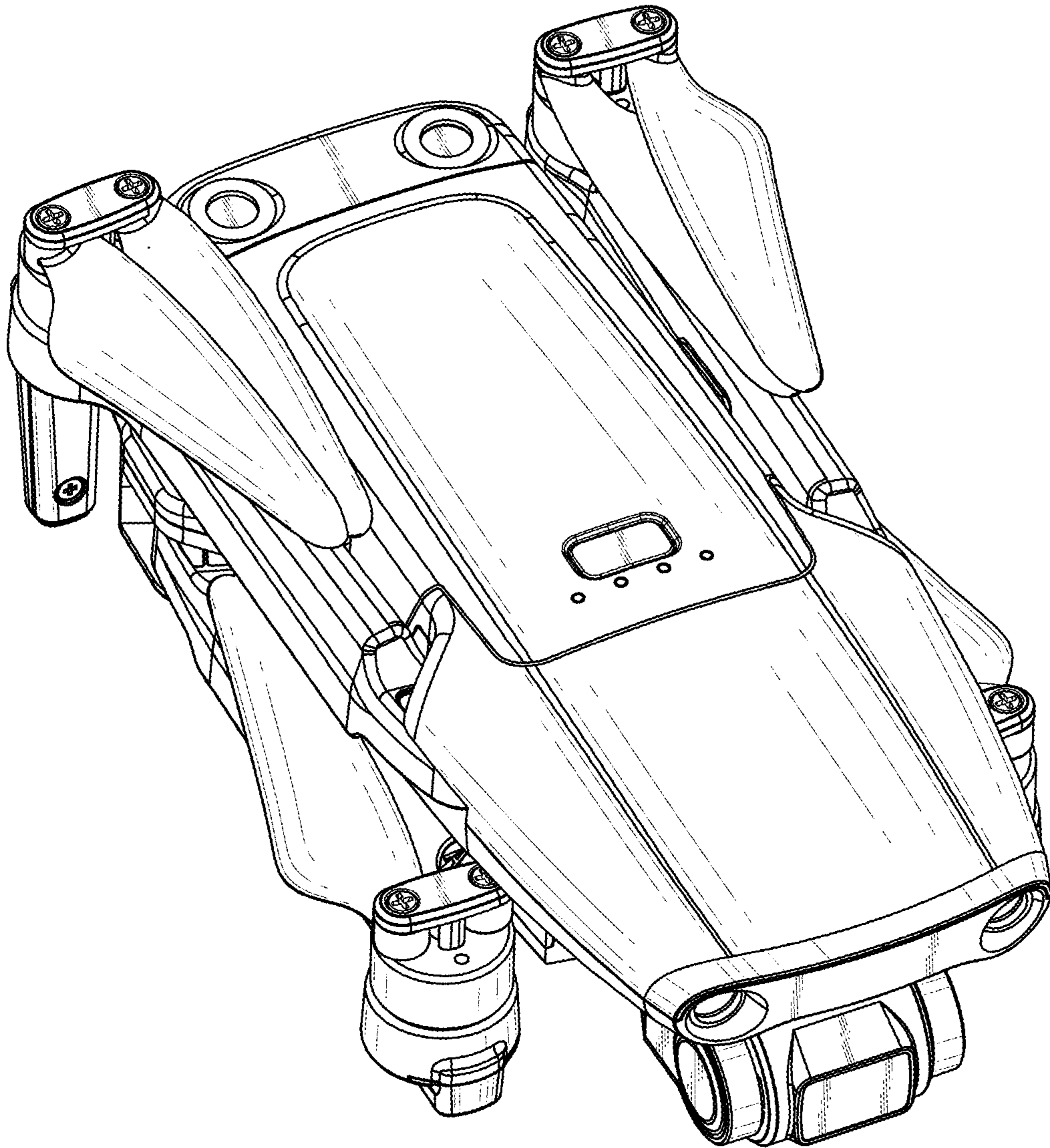


FIG. 1

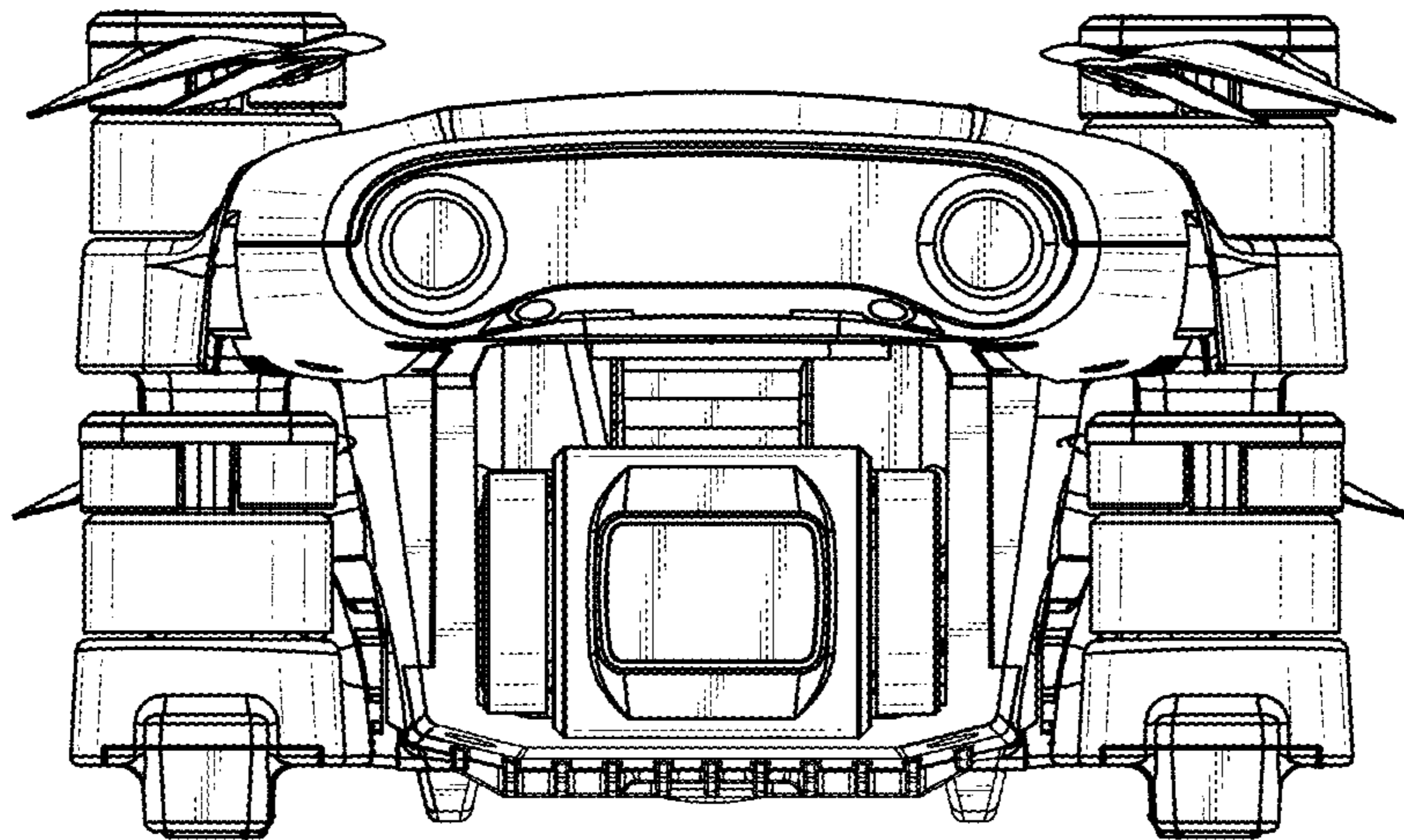


FIG. 2

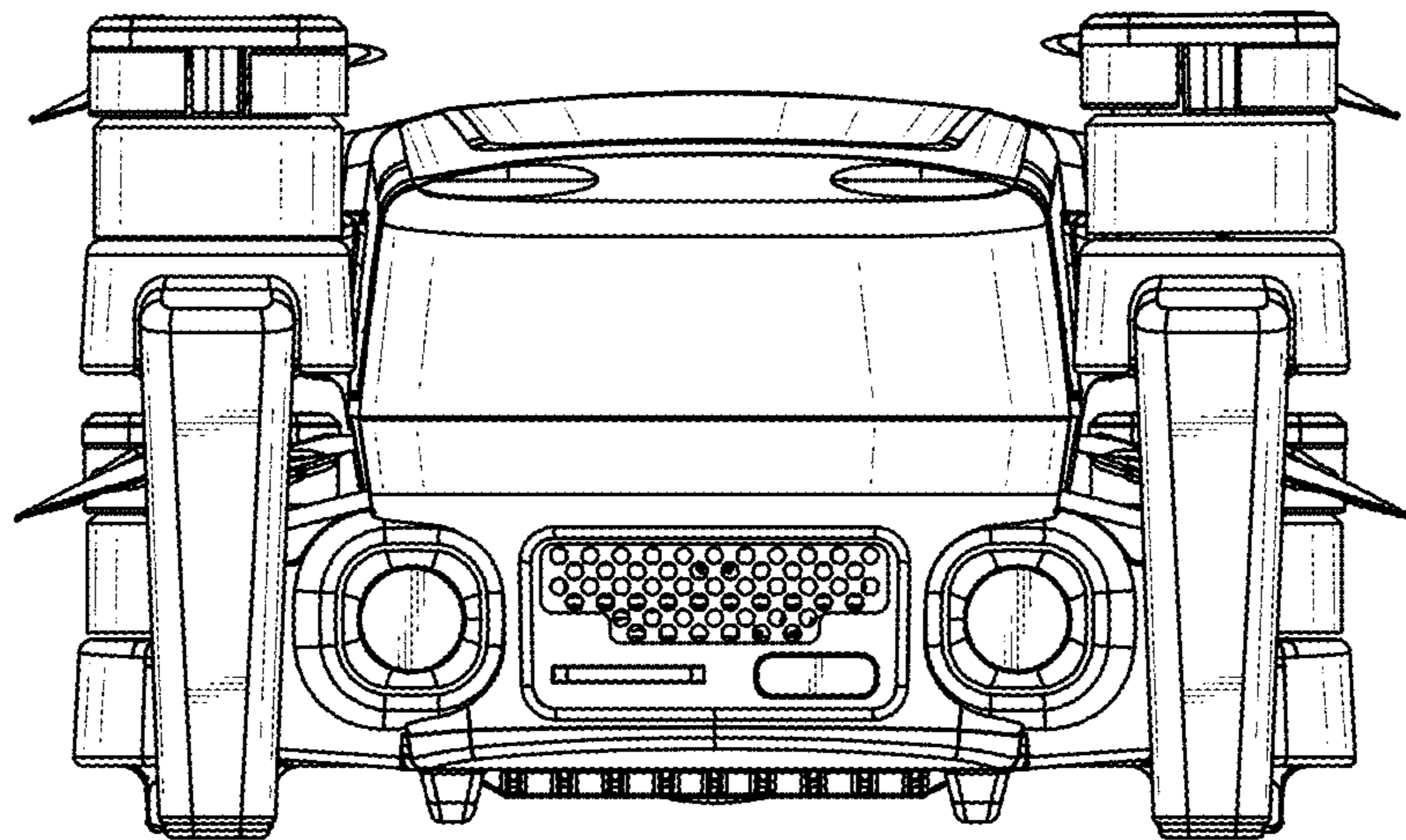


FIG. 3

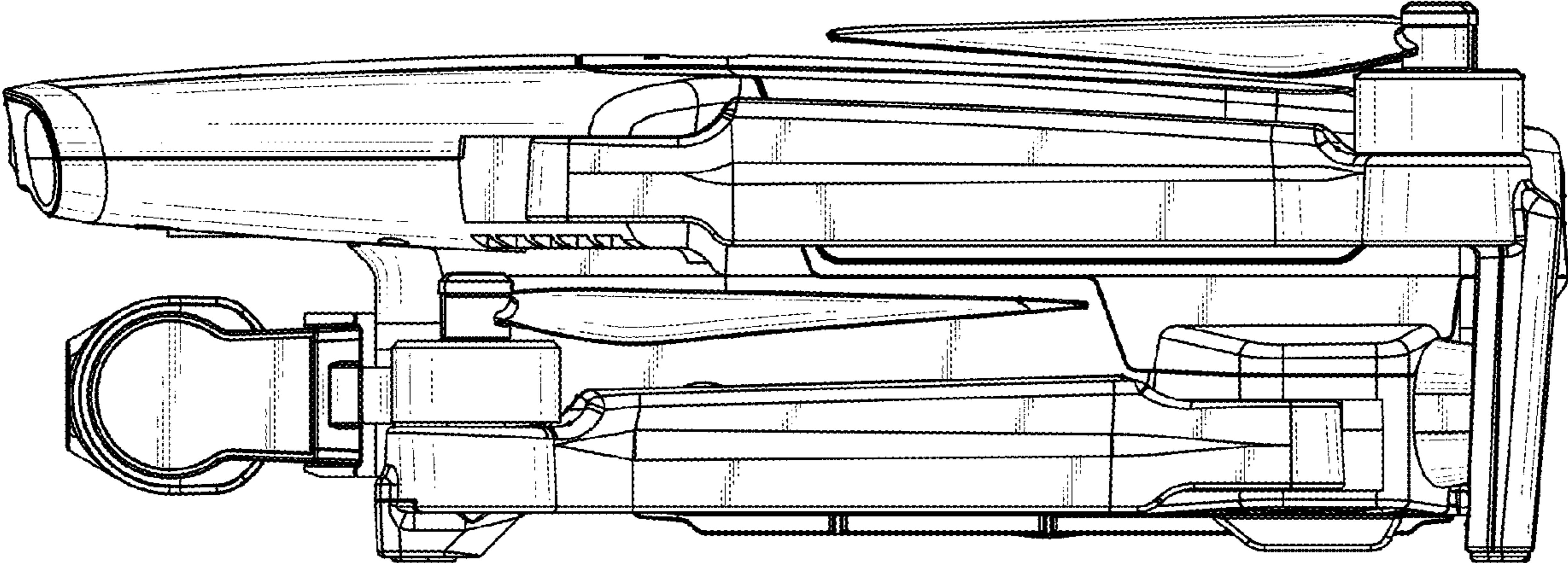


FIG. 4

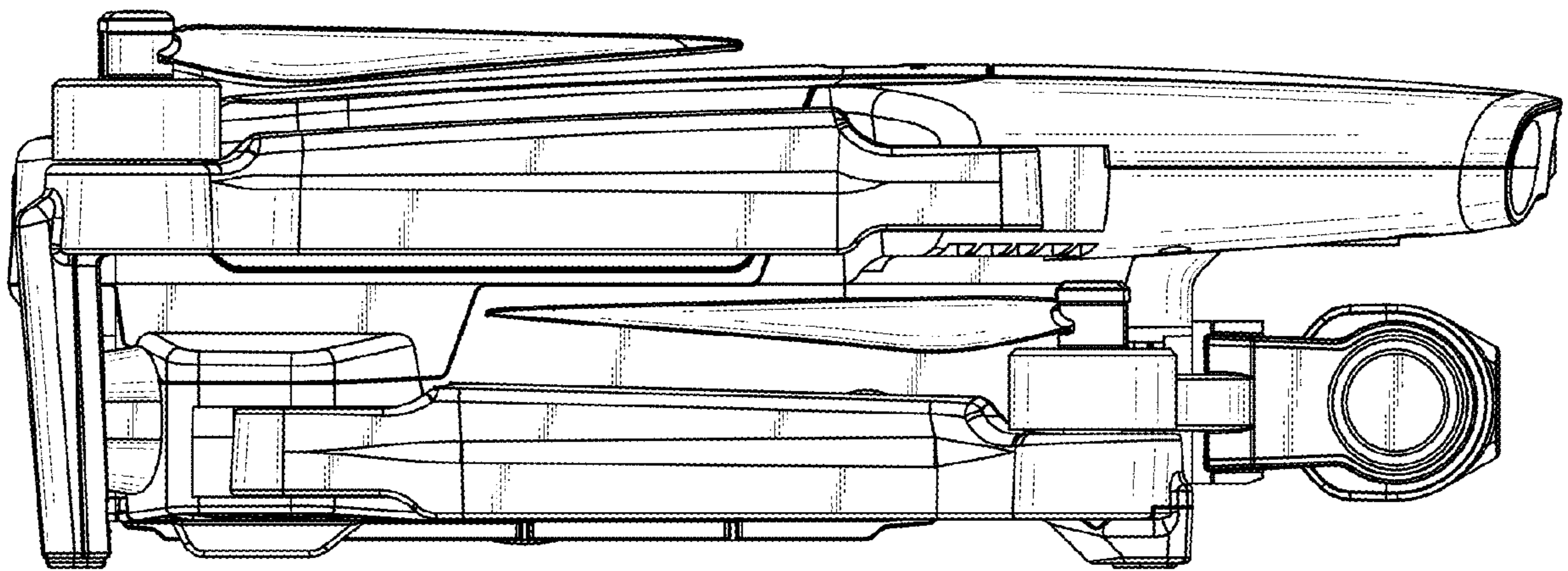


FIG. 5

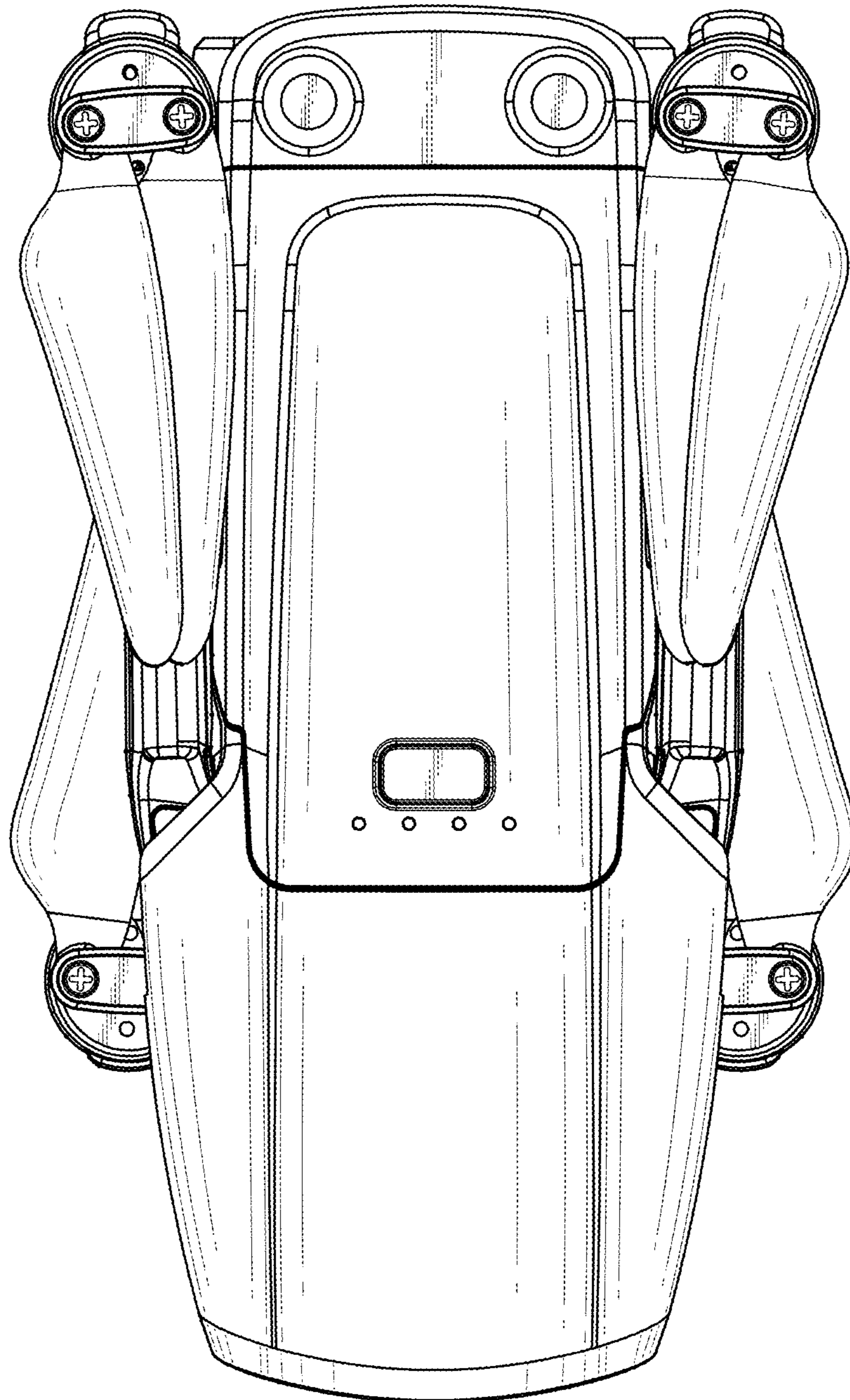


FIG. 6

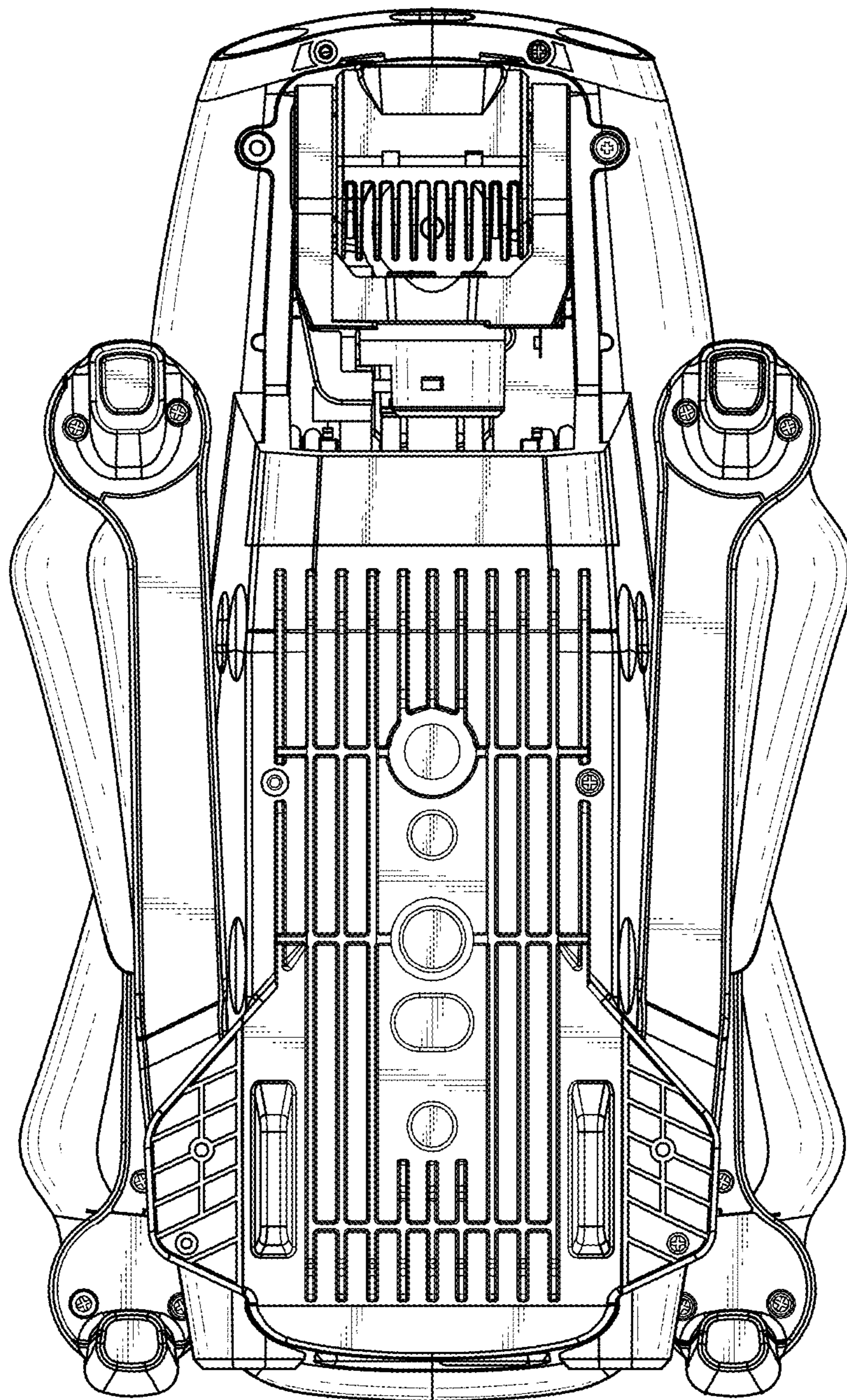


FIG. 7

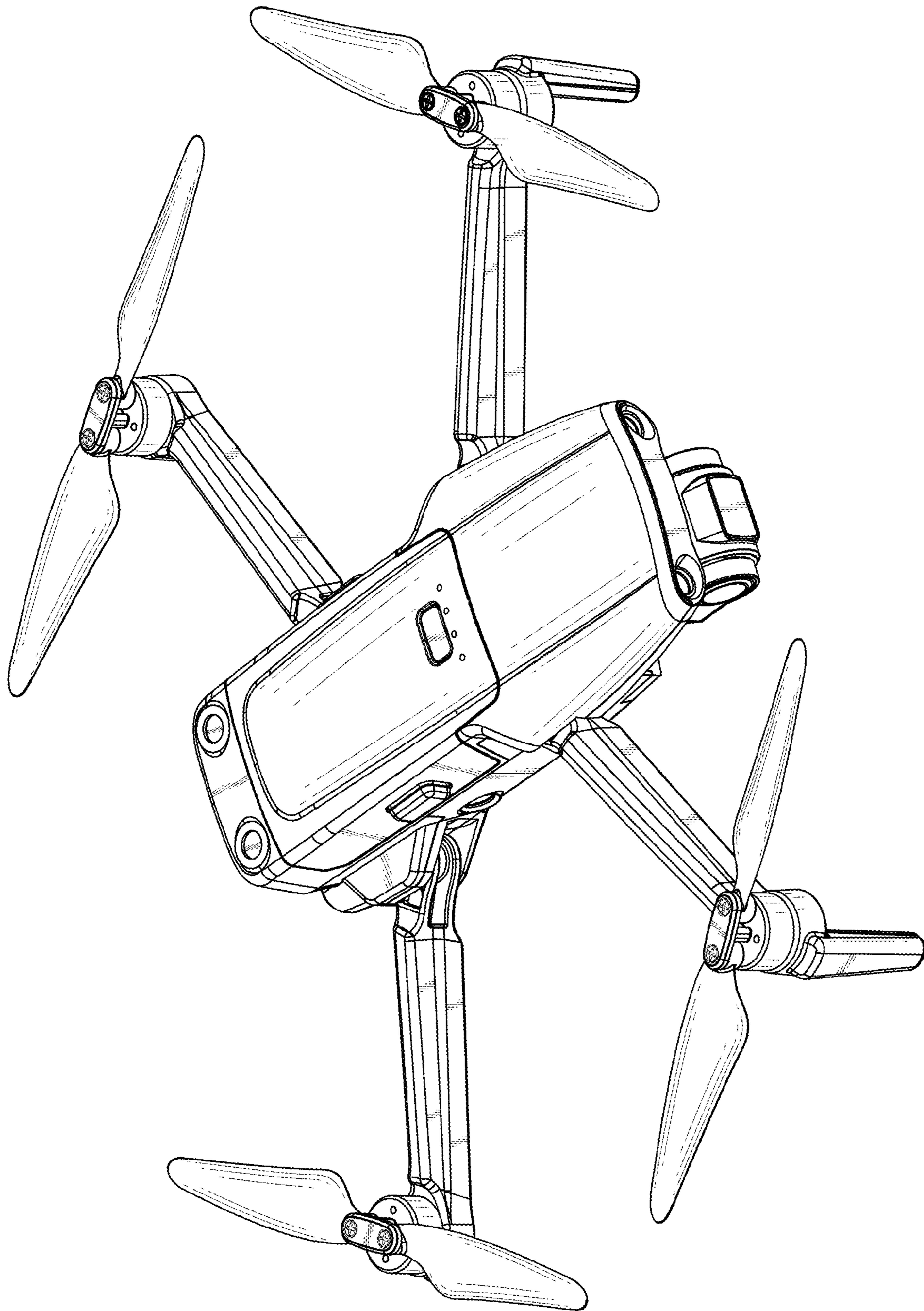


FIG. 8

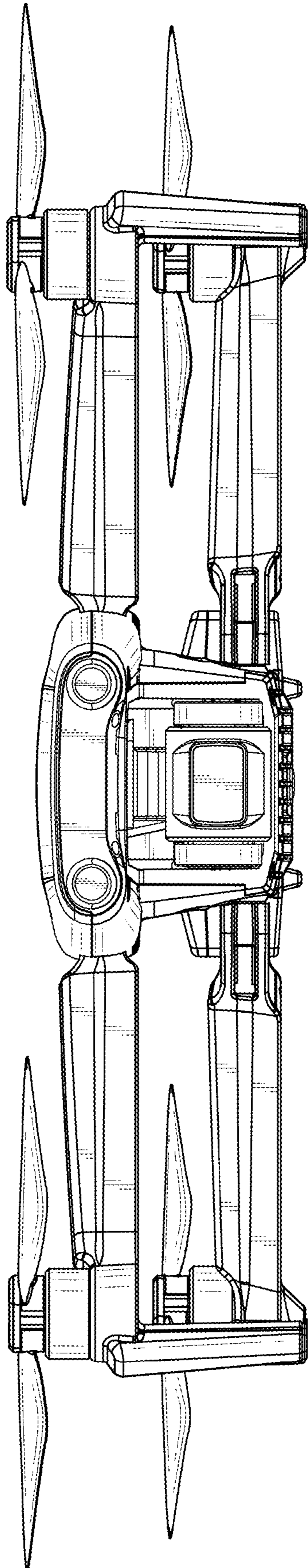


FIG. 9

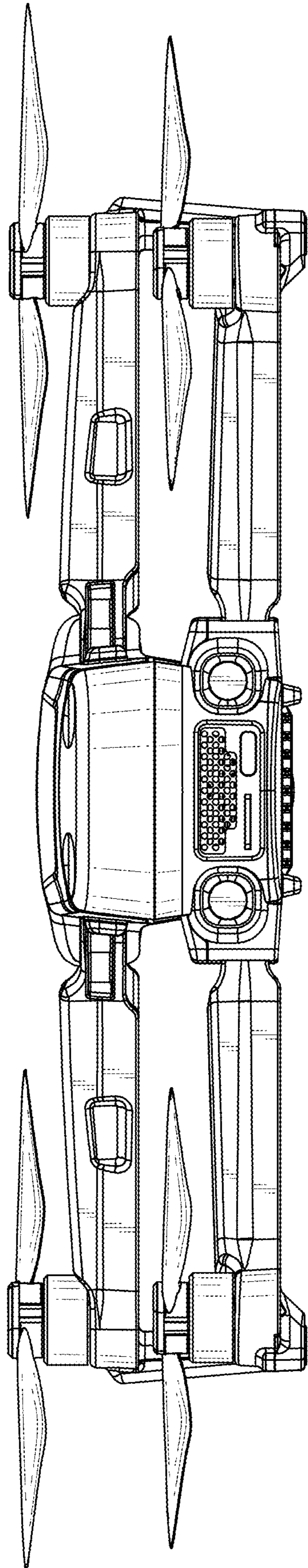


FIG. 10

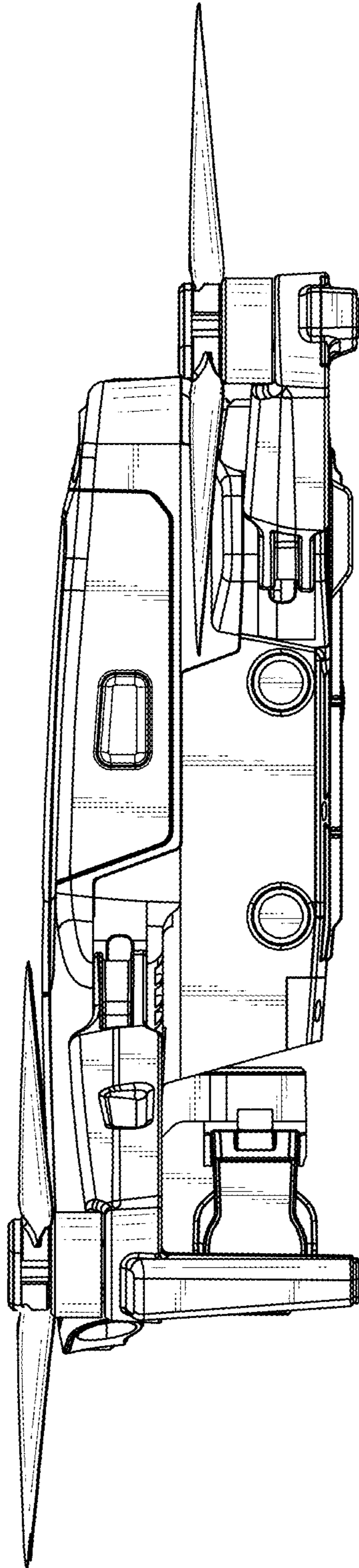


FIG. 11

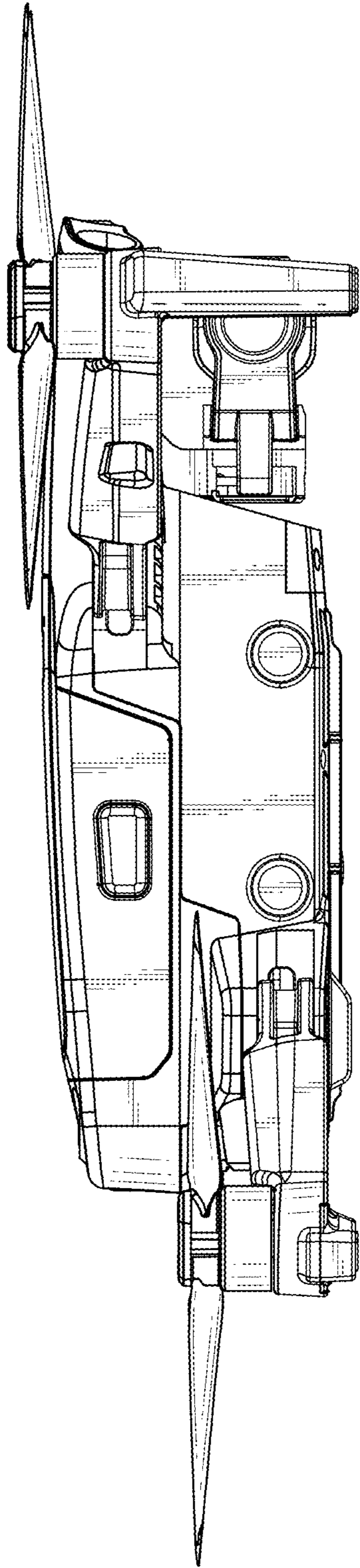


FIG. 12

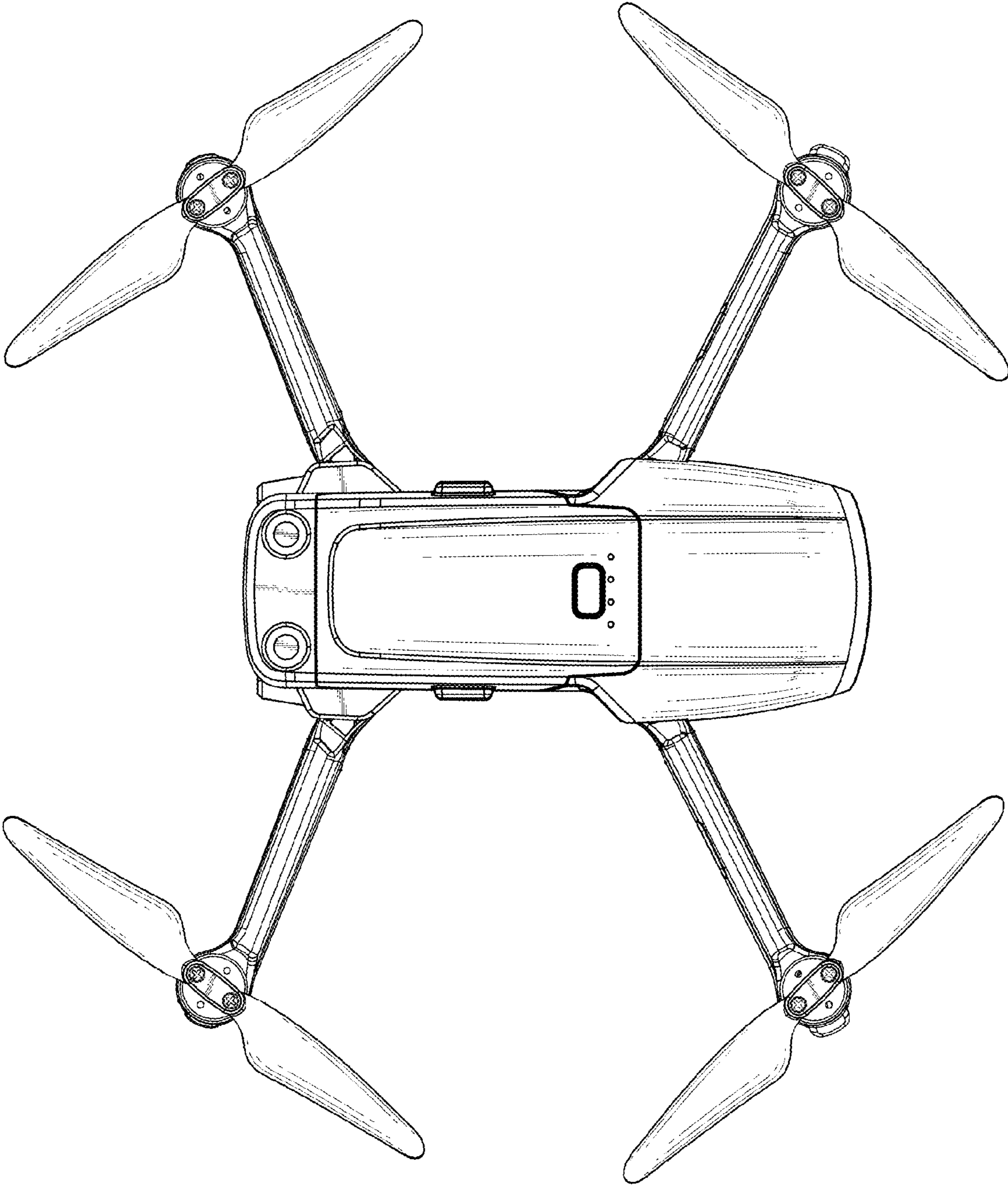


FIG. 13

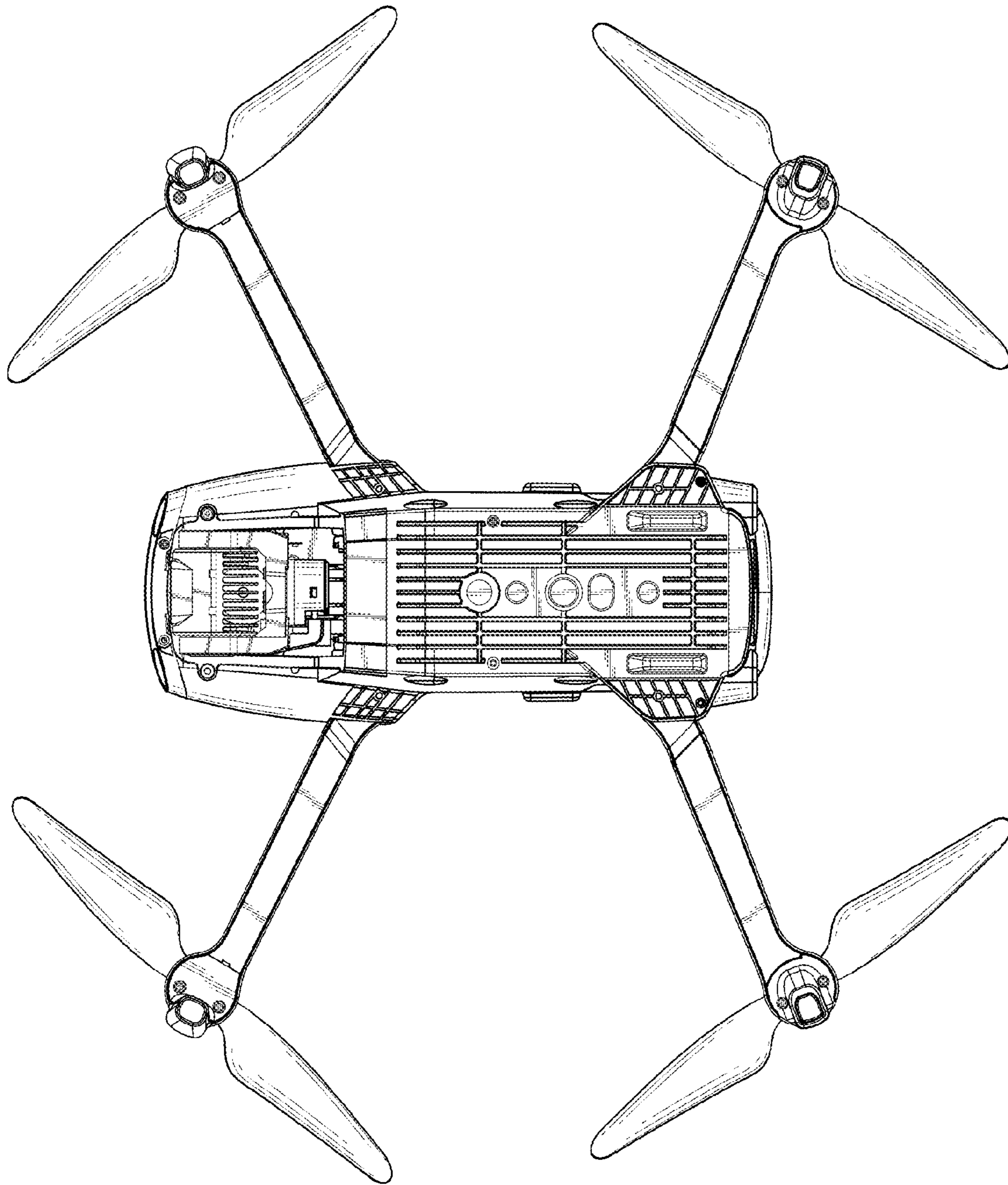


FIG. 14