



US00D983086S

(12) **United States Design Patent** (10) **Patent No.:** **US D983,086 S**
Krezel et al. (45) **Date of Patent:** **** *Apr. 11, 2023**

(54) **BELT BUCKLE**

(71) Applicant: **Arcade Belts, Inc.**, Olympic Valley, CA (US)

(72) Inventors: **Brian Michael Krezel**, Bozeman, MT (US); **Sean Jun Nemoto**, Portland, OR (US); **Scott Robert Layton**, Portland, OR (US); **Nathan Ross Nalevanko**, Portland, OR (US)

(73) Assignee: **Arcade Belts, Inc.**, Olympic Valley, CA (US)

(*) Notice: This patent is subject to a terminal disclaimer.

(**) Term: **15 Years**

(21) Appl. No.: **29/846,644**

(22) Filed: **Jul. 18, 2022**

Related U.S. Application Data

(63) Continuation-in-part of application No. 29/777,152, filed on Apr. 2, 2021.

(51) **LOC (14) Cl.** **02-07**

(52) **U.S. Cl.**
USPC **D11/218**

(58) **Field of Classification Search**
USPC D11/200, 214–216, 218, 220; D8/354, D8/382, 383; D30/151–153; D2/627–629; D3/214, 215, 327

(Continued)

(56) **References Cited**

U.S. PATENT DOCUMENTS

4,150,464 A * 4/1979 Tracy A44B 11/266
24/615
4,369,553 A * 1/1983 Yuda A44B 11/2592
24/618

(Continued)

OTHER PUBLICATIONS

Arcade Belts Mens Capture Belts, Date Available: Oct. 19, 2017, Amazon Online, Site Visited on Nov. 1, 2022: <https://www.amazon.com/Arcade-A1240-Adventure-Belt-Static/dp/B076KSCQW8/> (Year: 2017).*

(Continued)

Primary Examiner — Llorelys Martinez

Assistant Examiner — Nicole M. Leech

(74) *Attorney, Agent, or Firm* — Lapple Ubell IP Law, LLP.; Matthew C. Lapple

(57) **CLAIM**

The ornamental design for a belt buckle, as shown and described.

DESCRIPTION

FIG. 1 is a perspective view of a belt buckle showing a closed configuration of our new design;

FIG. 2 is a front view thereof;

FIG. 3 is a back view thereof;

FIG. 4 is a left side view thereof;

FIG. 5 is a right side view thereof;

FIG. 6 is a top view thereof;

FIG. 7 is a bottom view thereof;

FIG. 8 is a perspective view of a belt buckle showing an open configuration of our new design;

FIG. 9 is a front view of a belt buckle showing an open configuration;

FIG. 10 is a back view of a belt buckle showing an open configuration;

FIG. 11 is a left side view of a belt buckle showing an open configuration;

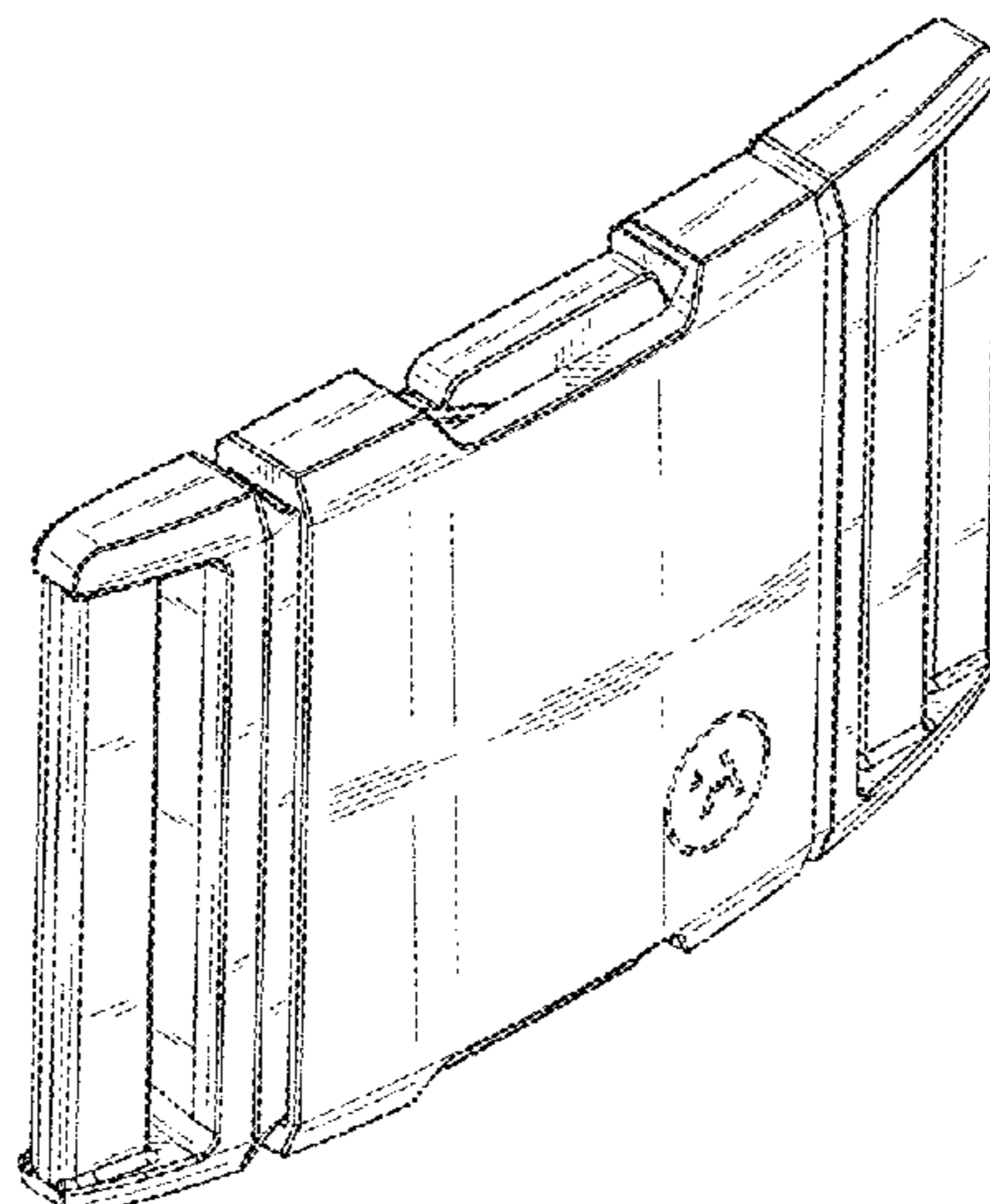
FIG. 12 is a right side view of a belt buckle showing an open configuration;

FIG. 13 is a top view of a belt buckle showing an open configuration;

FIG. 14 is a bottom view of a belt buckle showing an open configuration; and,

FIG. 15 is a front view of a belt buckle in a closed configuration shown in environmental use.

(Continued)



The broken lines in the FIGS. 1-14 represent portions of the belt buckle that form no part of the claimed design. The other broken lines in FIG. 15 represent environmental subject matter only and form no part of the claimed design.

1 Claim, 9 Drawing Sheets

(58) Field of Classification Search

CPC A44B 11/00; A44B 11/006; A44B 11/02; A44B 11/04; A44B 11/065; A44B 11/25; A44B 11/2507; A44B 11/2515; A44B 11/2519; A44B 11/2557; A44B 11/2592; A44B 11/26; A44B 11/263; A44B 17/00; A44B 11/266; A44B 11/253

See application file for complete search history.

(56) References Cited

U.S. PATENT DOCUMENTS

D303,233 S * 9/1989 Jang D11/216
5,027,481 A * 7/1991 Frano A44B 11/266
24/616

5,953,798 A * 9/1999 Matoba A44B 11/266
24/615
D469,382 S * 1/2003 Schmitz D11/200
D702,593 S * 4/2014 Koreishi D11/216
D742,786 S * 11/2015 Kung D11/216
9,187,939 B1 * 11/2015 Bishop E05C 19/003
2003/0106192 A1 * 6/2003 Schmitz A44B 11/266
24/614
2011/0162177 A1 * 7/2011 Von Der Ahe A44B 11/2569
24/640
2012/0216373 A1 * 8/2012 Fiedler A01K 27/005
24/303
2021/0161255 A1 * 6/2021 Chen A44B 11/2519

OTHER PUBLICATIONS

Arcade Adventure Belt Review, Posted on: Apr. 3, 2018, Snarky Nomad, Site Visited on Nov. 1, 2022: https://snarkynomad.com/arcade-adventure-belt-review/ (Year: 2018).*
Arcade Adventure Belt Review, Date Available: Oct. 8, 2018, Amazon Online, Site Visited on Nov. 1, 2022: https://www.amazon.com/Arcade-Womens-Elastic-Stretch-Belts/dp/B078XTHCBF/ (Year: 2018).*

* cited by examiner

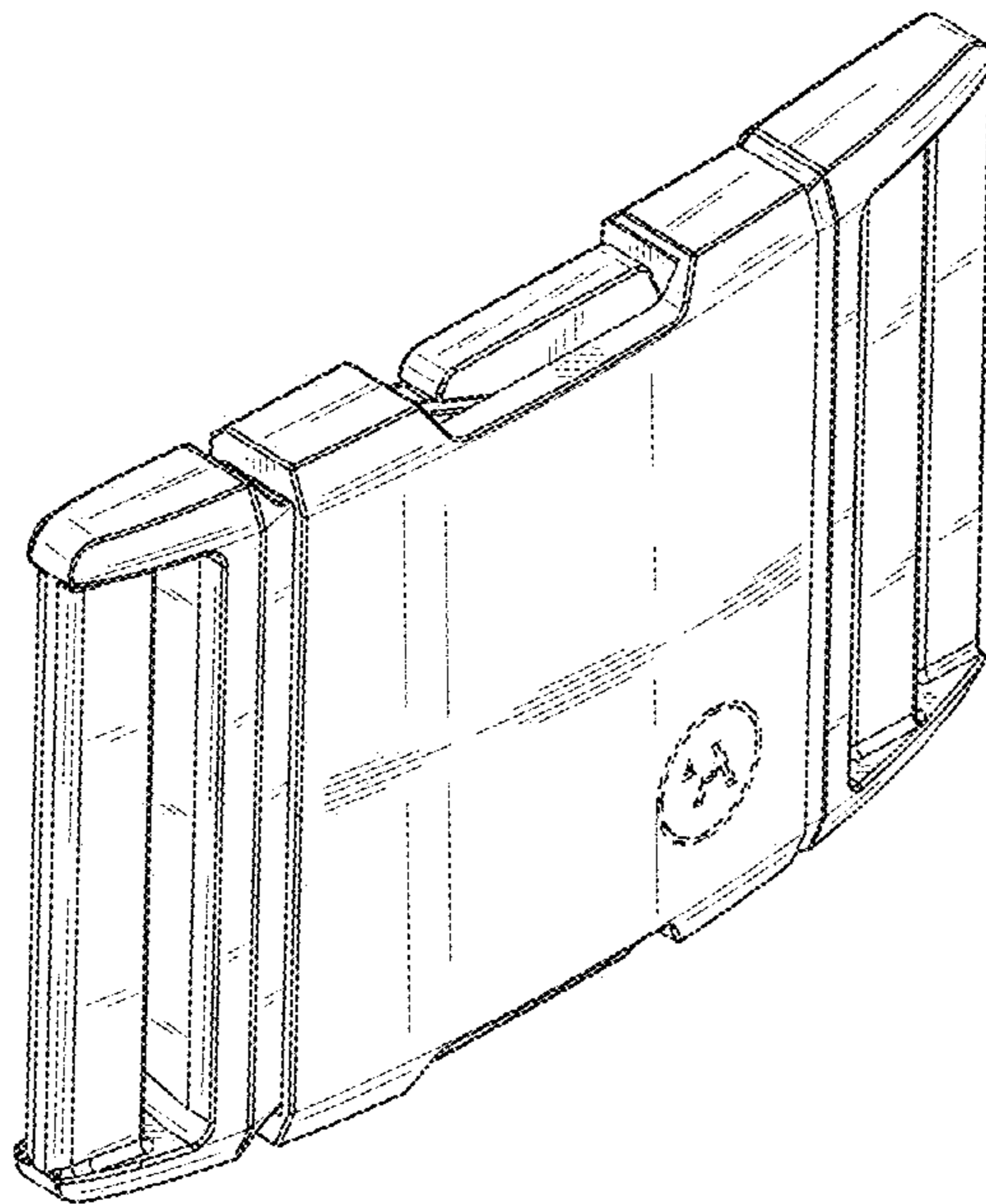


FIG. 1

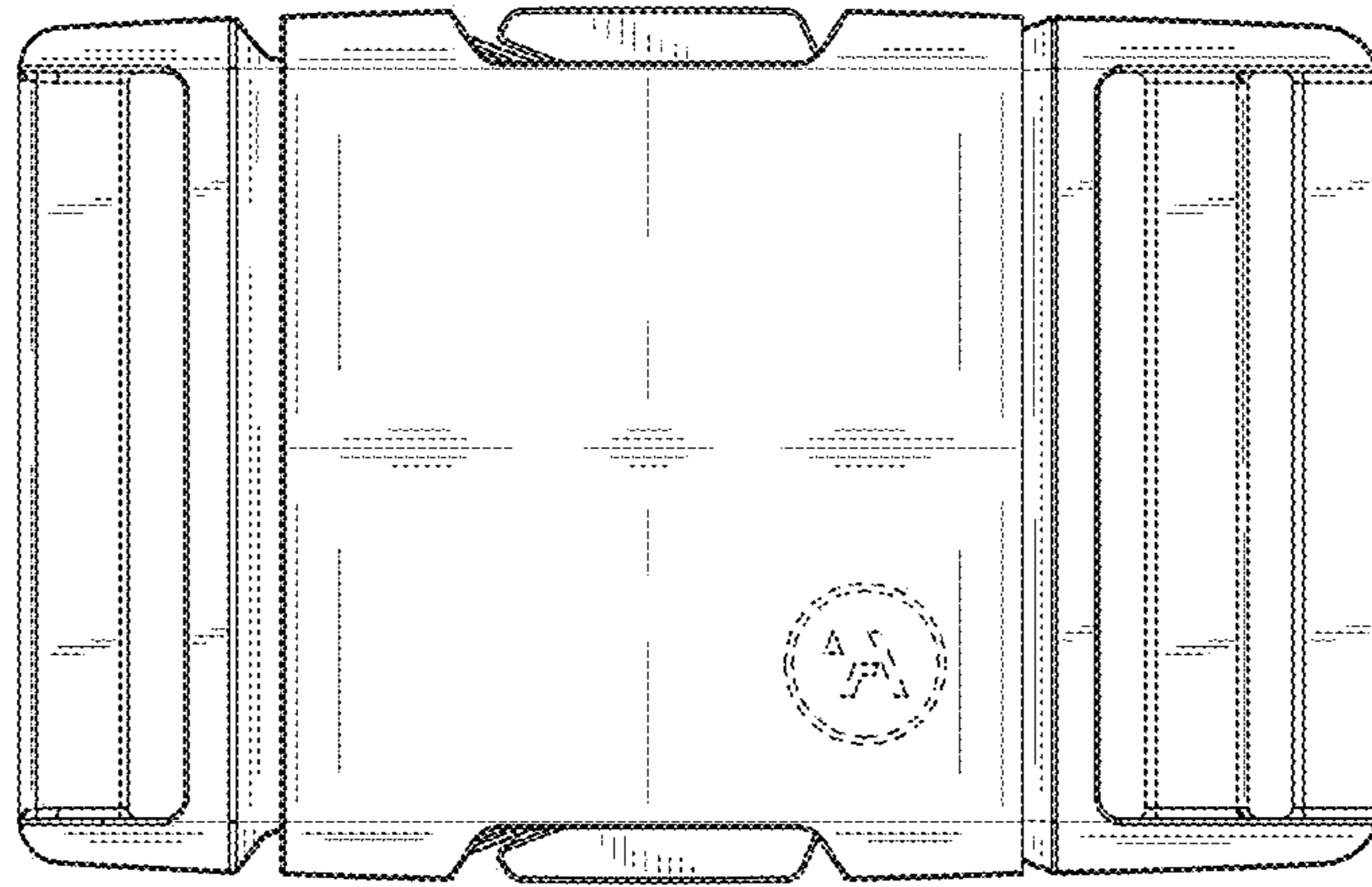


FIG. 2

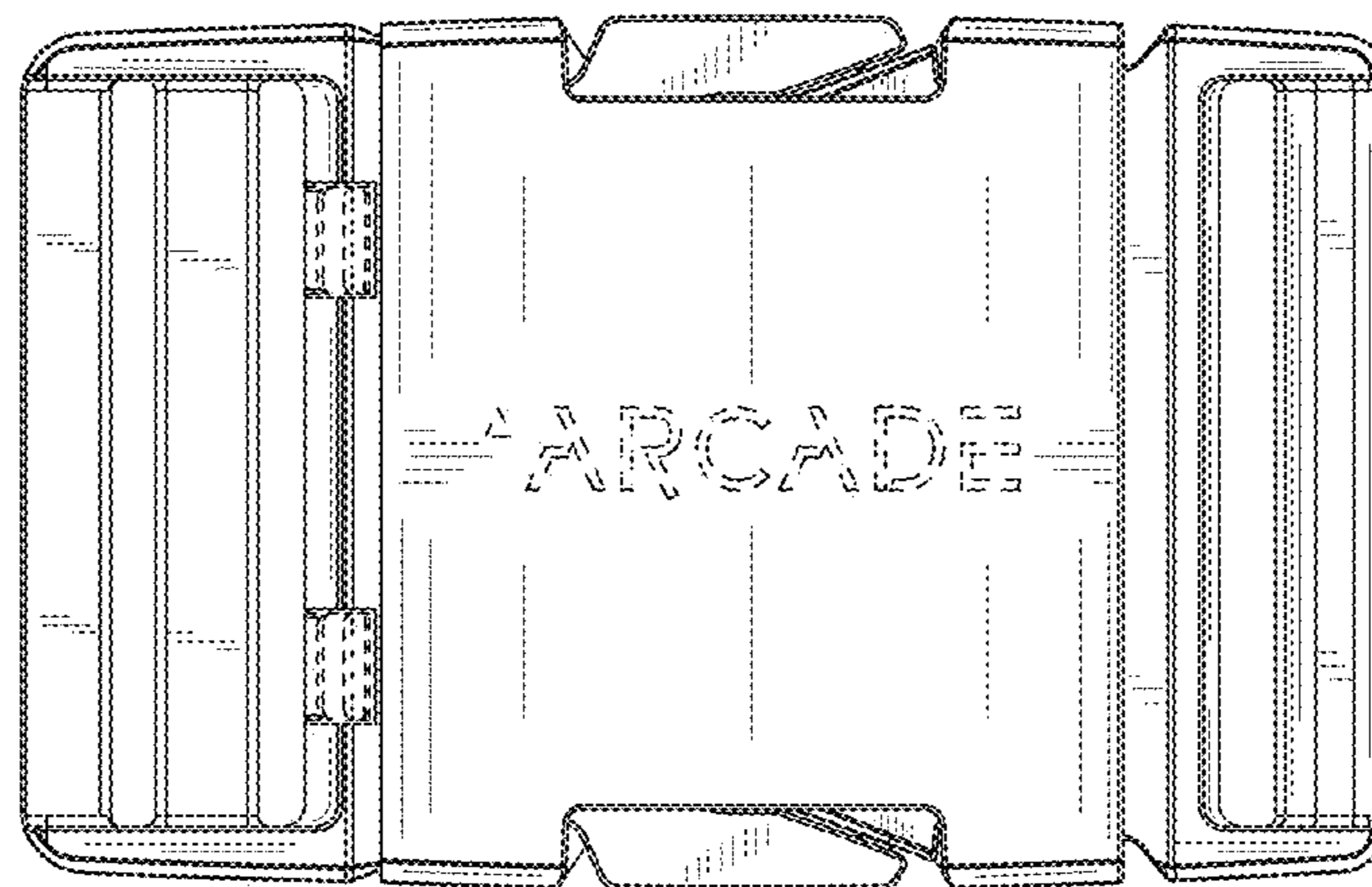


FIG. 3

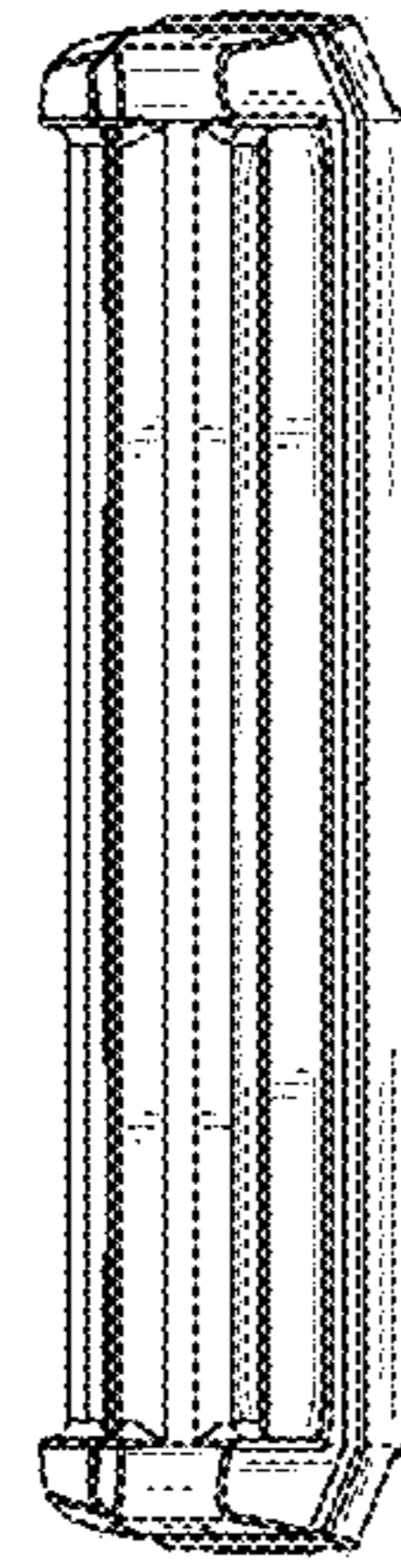


FIG. 4

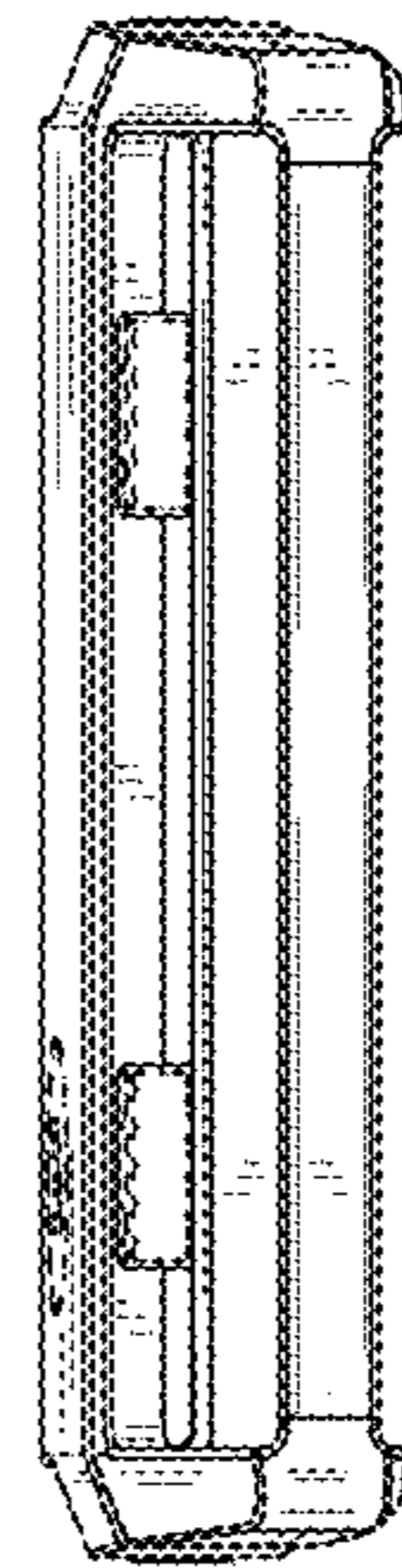


FIG. 5

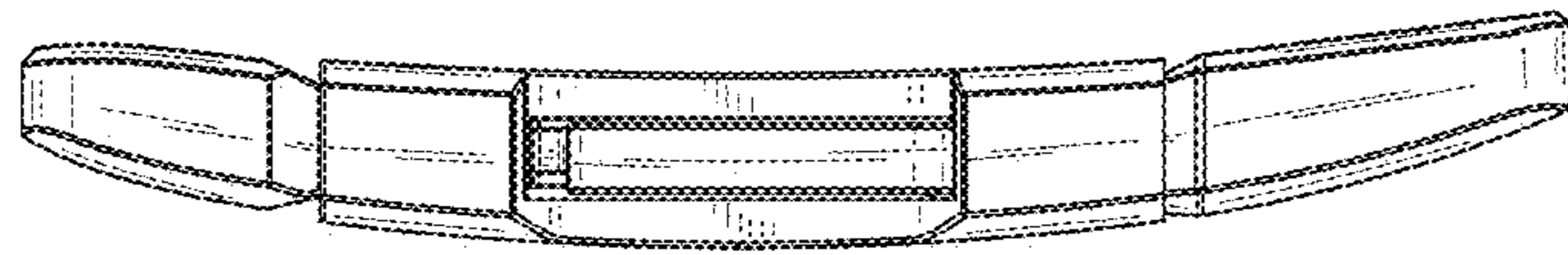


FIG. 6

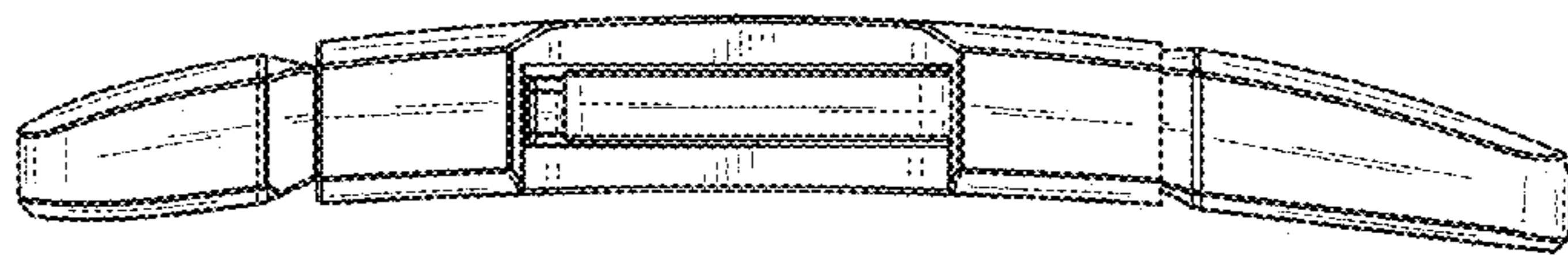


FIG. 7

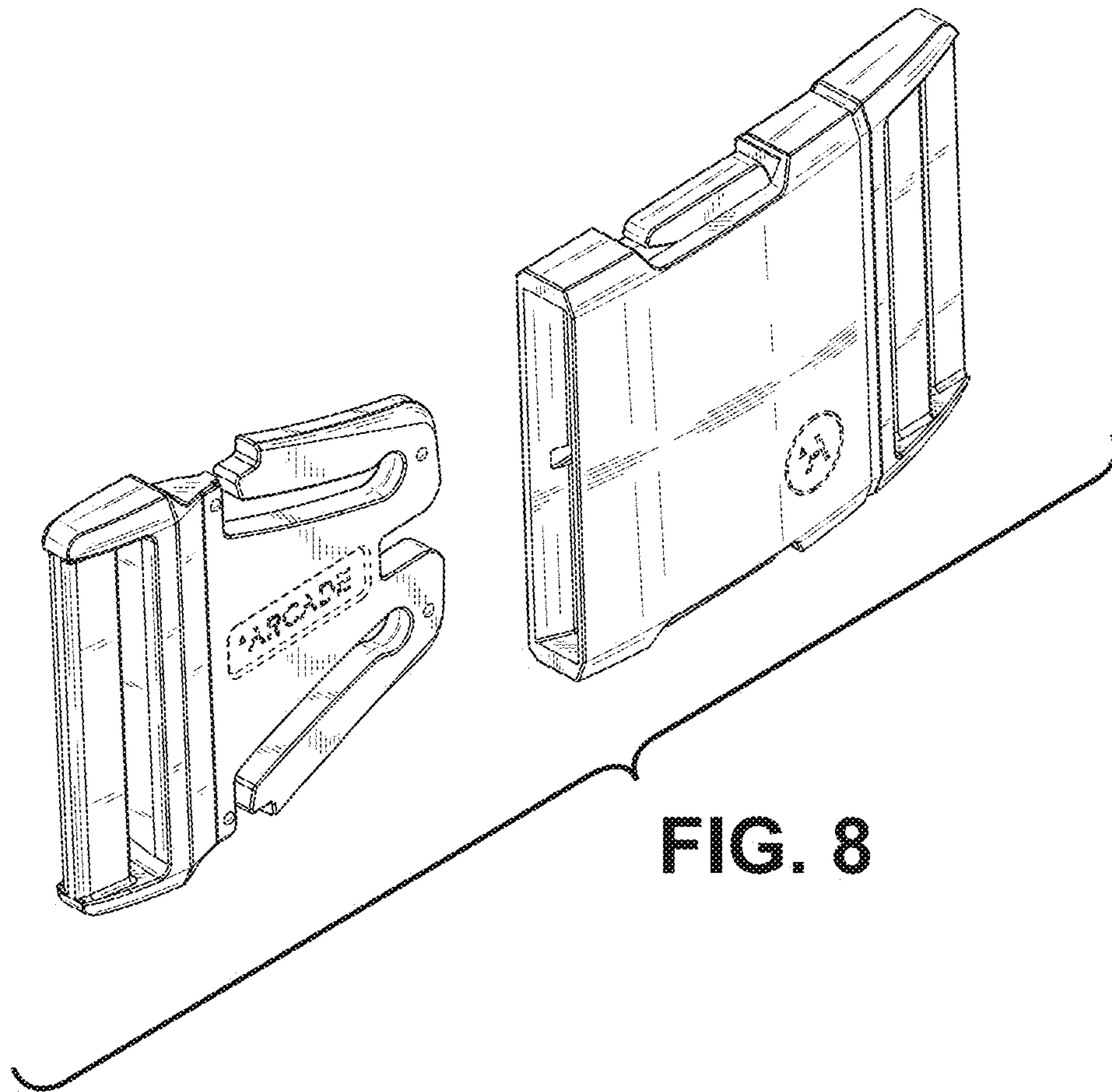


FIG. 8

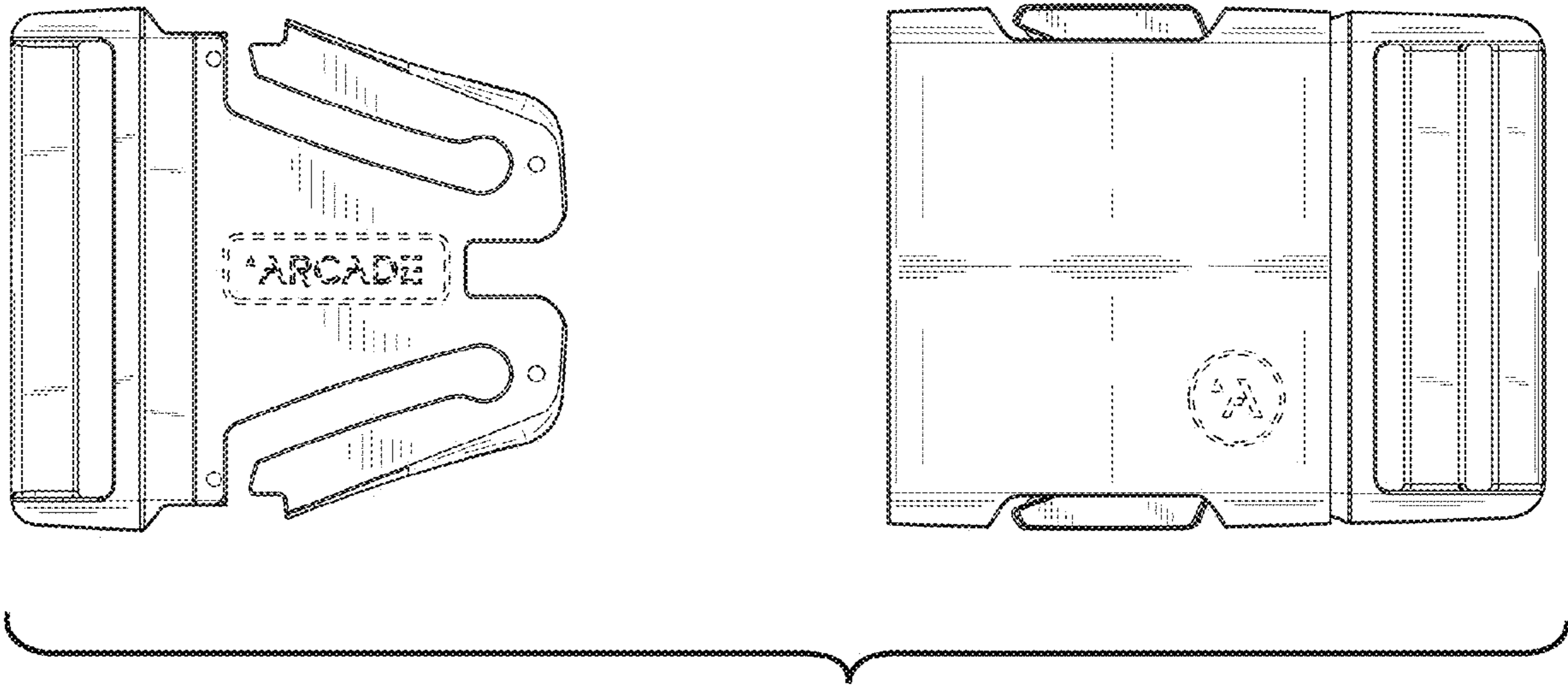


FIG. 9

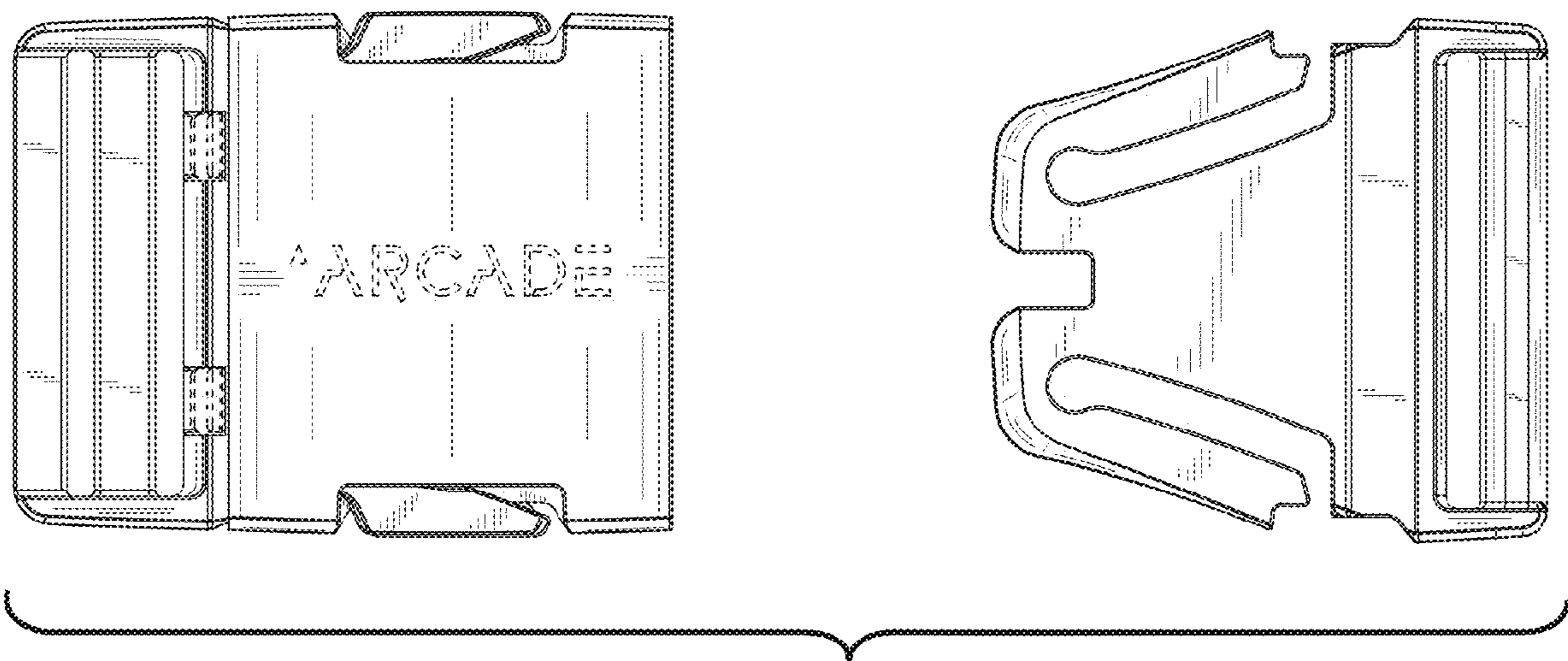


FIG. 10

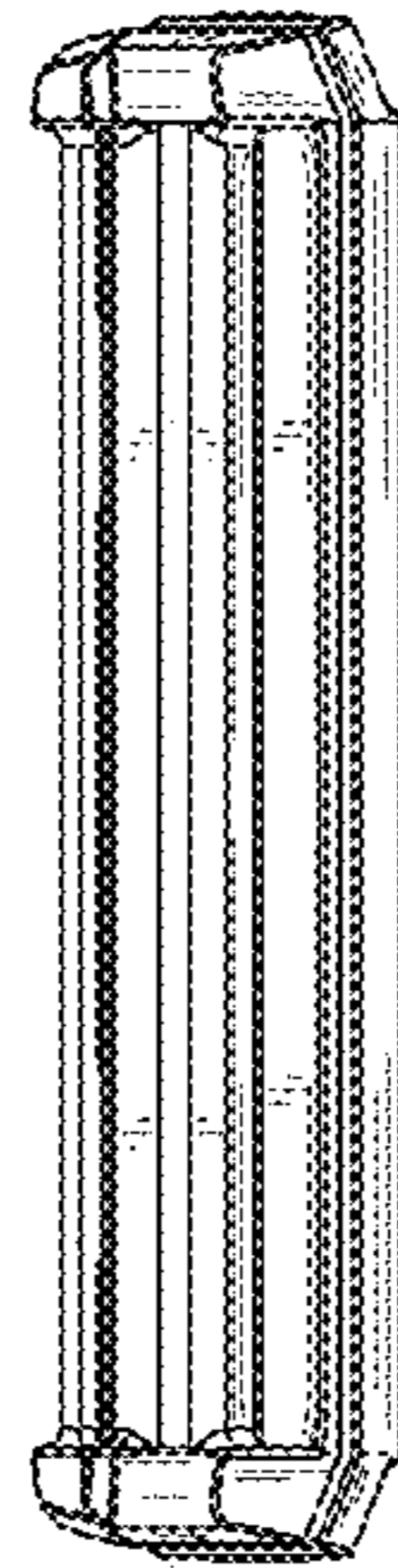


FIG. 11

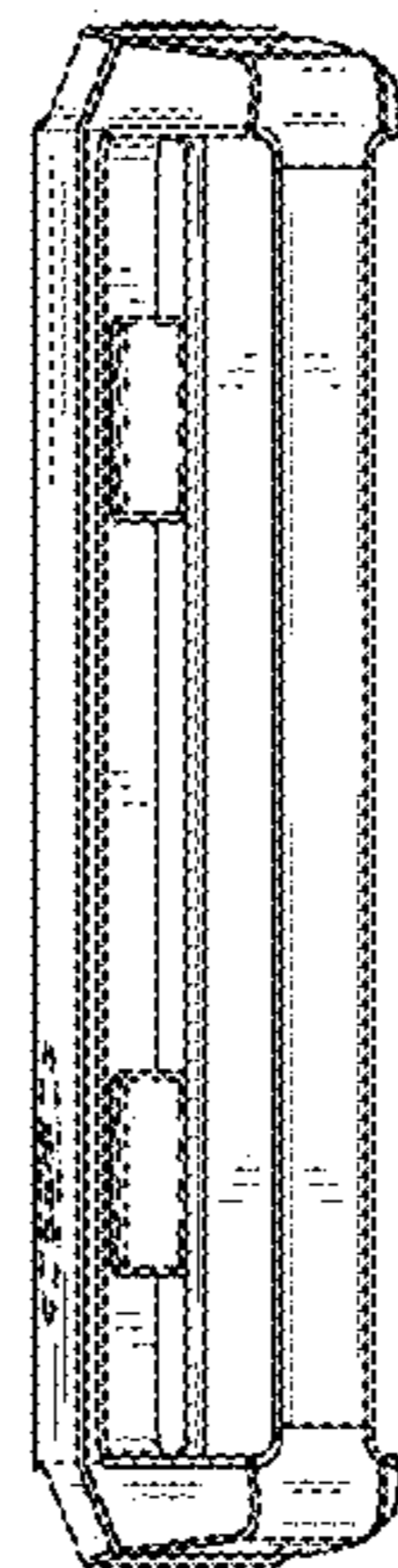


FIG. 12

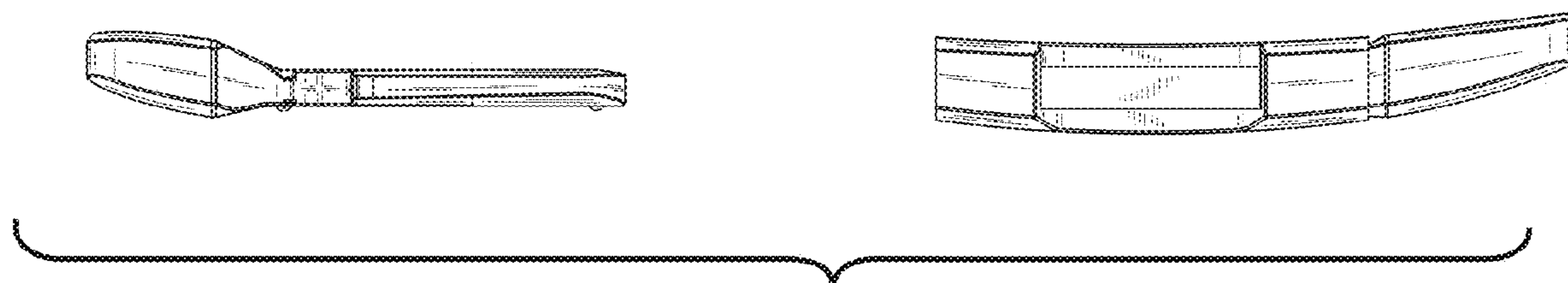


FIG. 13

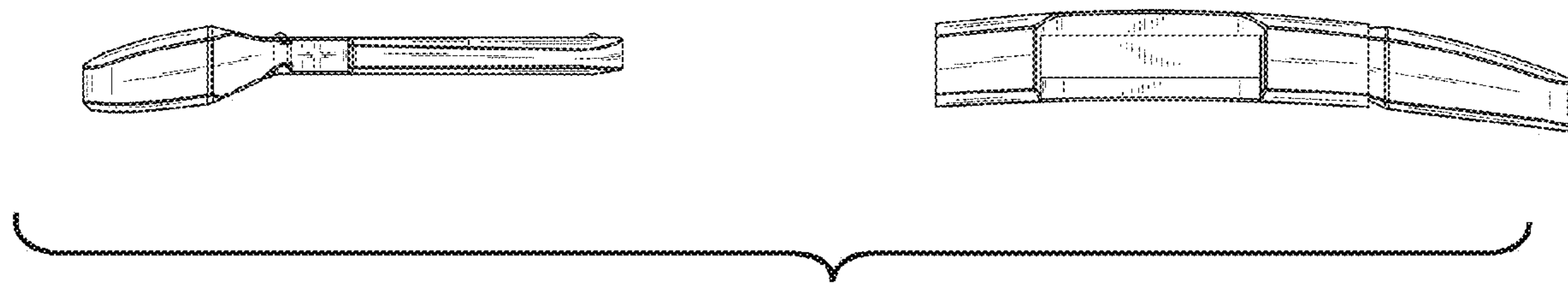


FIG. 14

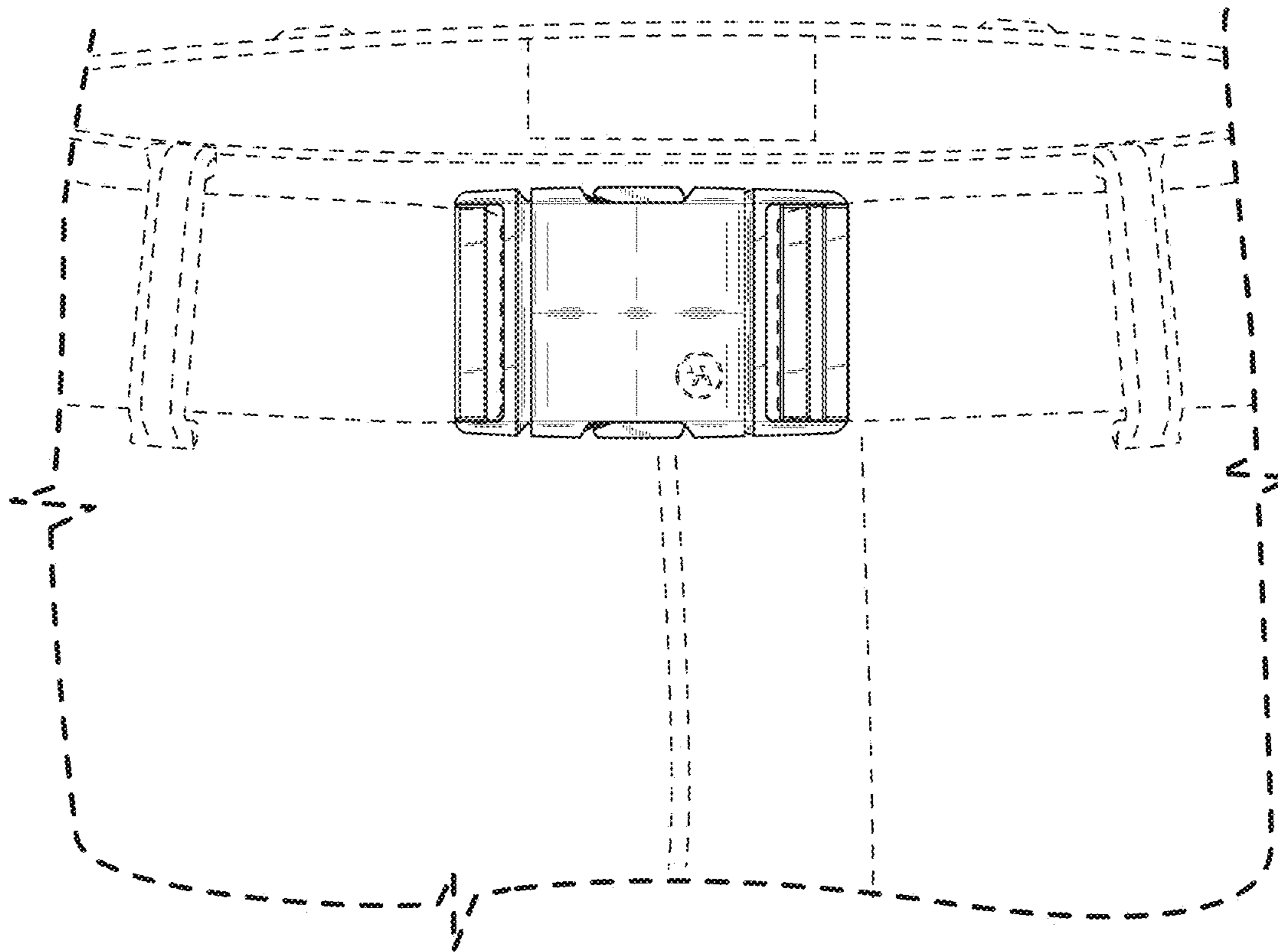


FIG. 15