



US00D983085S

(12) **United States Design Patent**
Johnson

(10) **Patent No.:** **US D983,085 S**

(45) **Date of Patent:** **** Apr. 11, 2023**

(54) **RECEPTACLE FOR ADAPTING OUTDOOR
PLANTER TO INDOOR**

(71) Applicant: **Gerald Johnson**, Gurnee, IL (US)

(72) Inventor: **Gerald Johnson**, Gurnee, IL (US)

(**) Term: **15 Years**

(21) Appl. No.: **29/752,833**

(22) Filed: **Sep. 29, 2020**

(51) **LOC (14) Cl.** **11-01**

(52) **U.S. Cl.**
USPC **D11/143**

(58) **Field of Classification Search**
USPC D11/143–156, 164; D7/560–562,
D7/586–587, 603–608, 584, 538–542;
D9/428; D6/689, 692, 692.4, 692.5,
D6/403–405, 556–558; D8/1
CPC . A01G 9/02; A01G 9/021; A01G 9/04; A01G
27/003; A01G 31/06; A47G 7/00; A47G
7/02; A47G 7/04; A47G 7/08
See application file for complete search history.

(56) **References Cited**

U.S. PATENT DOCUMENTS

D26,106 S *	9/1896	Douglass	D6/403
D265,709 S *	8/1982	Bocuse	D7/603
D350,913 S *	9/1994	Heimos	D11/152
D386,652 S *	11/1997	Rimback	D8/382
D425,327 S *	5/2000	Levesque	D6/403
D516,462 S *	3/2006	Opiniano	D11/143
D523,774 S *	6/2006	Opiniano	D11/152
D525,560 S *	7/2006	Opiniano	D11/152
D625,513 S *	10/2010	Carnes	D7/624.2
D652,264 S *	1/2012	Fuller	D7/608

(Continued)

FOREIGN PATENT DOCUMENTS

CN 2078083 U 6/1991
CN 201860627 U 6/2011

(Continued)

OTHER PUBLICATIONS

Lineal White Cylindrical Cracked Planters, available 2022, online,
site visited Jul. 12, 2022. Available online, URL: <https://www.decorpad.com/bookmark.htm?bookmarkId=63570> (Year: 2022).*

(Continued)

Primary Examiner — W. A. Teddy Falloway

Assistant Examiner — Sarah J Ault

(74) *Attorney, Agent, or Firm* — Lesley A. Wallerstein,
LLC

(57) **CLAIM**

The ornamental design for a receptacle for adapting an outdoor planter to indoors, as shown and described.

DESCRIPTION

FIG. 1 is an exploded top perspective view of a receptacle for adapting an outdoor planter to indoor.

FIG. 2 is a top perspective view, showing the receptacle coupled to a planter.

FIG. 3 is a front perspective view thereof.

FIG. 4 is a front view thereof. The back view, the left view and the right view are mirror images of the front view.

FIG. 5 is a cross-sectional view thereof, with the section cut taken along the center of the receptacle.

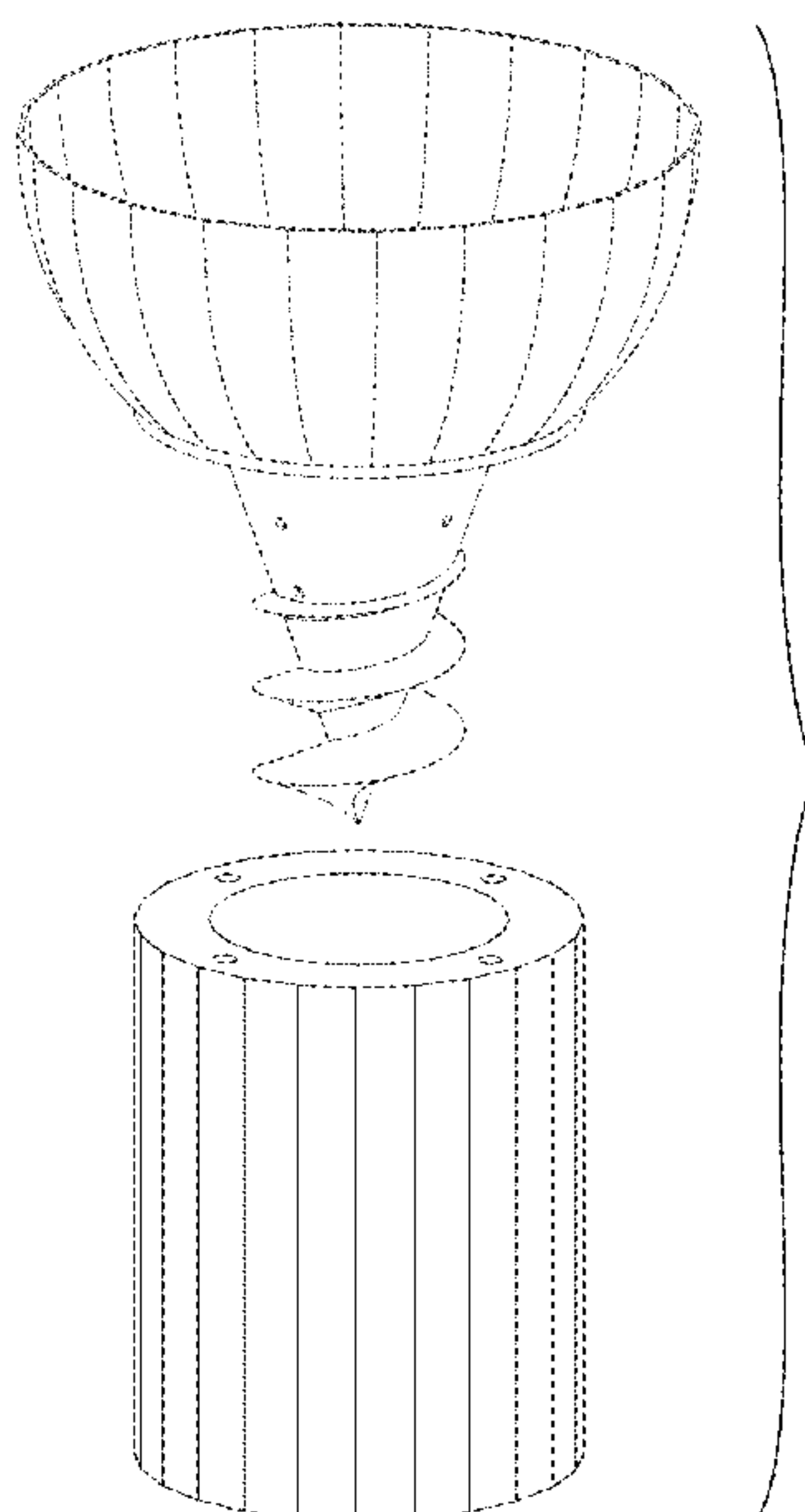
FIG. 6 is a top view thereof; and,

FIG. 7 is a bottom view thereof.

The broken lines shown in FIG. 1 and FIG. 2 illustrate environmental structure and form no part of the claimed design.

The broken lines in FIG. 5 depict portions of the receptacle for adapting outdoor planter to indoor and form no part of the claimed design.

1 Claim, 6 Drawing Sheets



(56)

References Cited

U.S. PATENT DOCUMENTS

D685,232	S	*	7/2013	Lane	D7/629
D775,998	S	*	1/2017	Sharamitaro	D11/152
D779,372	S	*	2/2017	Kornegay	D11/154
D780,529	S	*	3/2017	Kilby	D7/619.1
D801,496	S	*	10/2017	Letham	D23/336
D888,505	S	*	6/2020	Seiders	D7/624.2
D902,665	S	*	11/2020	Jacobsen	D7/608
D908,444	S	*	1/2021	Pape	D7/607
D920,746	S	*	6/2021	Seiders	D7/624.2
D951,132	S	*	5/2022	Johnson	D11/152
D951,133	S	*	5/2022	Johnson	D11/152
D951,134	S	*	5/2022	Johnson	D11/152
D951,136	S	*	5/2022	Johnson	D11/156

FOREIGN PATENT DOCUMENTS

CN	203912715	U	11/2014
CN	104686223	A	6/2015
CN	105706774	A	6/2016
CN	209964749	U	1/2020
CN	306046103	*	9/2020
CN	306520648	*	5/2021
JP	H11215919	A	8/1999
KR	100570717	B1	4/2006
KR	200471719	Y1	3/2014
KR	101579808	B1	12/2015

OTHER PUBLICATIONS

Pathos Plant, available 2022, online, site visited Jul. 12, 2022.
 Available online, URL: <https://martha.com/products/pothos-in-smooth-7-pot> (Year: 2022).*

* cited by examiner

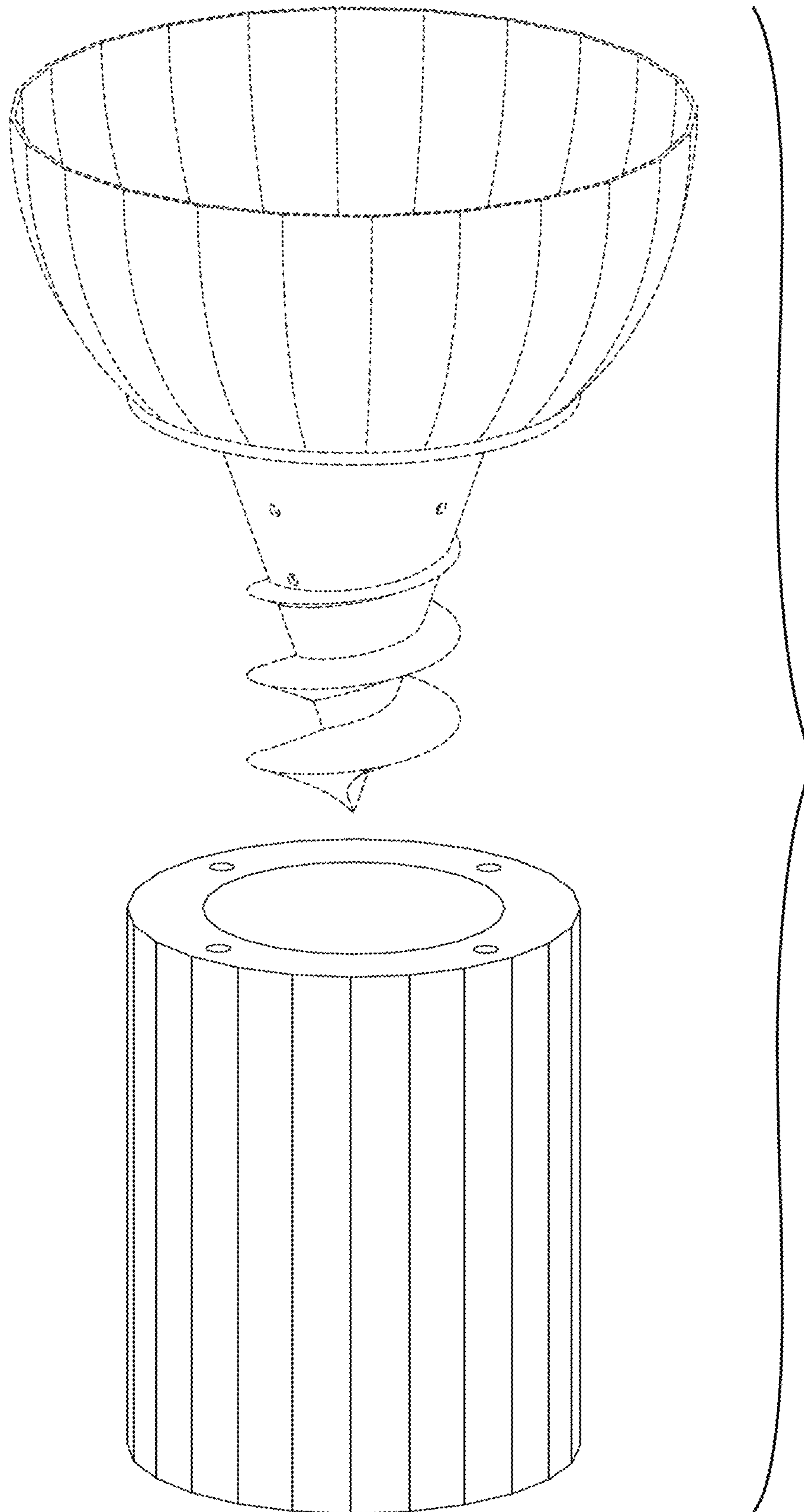


FIG. 1

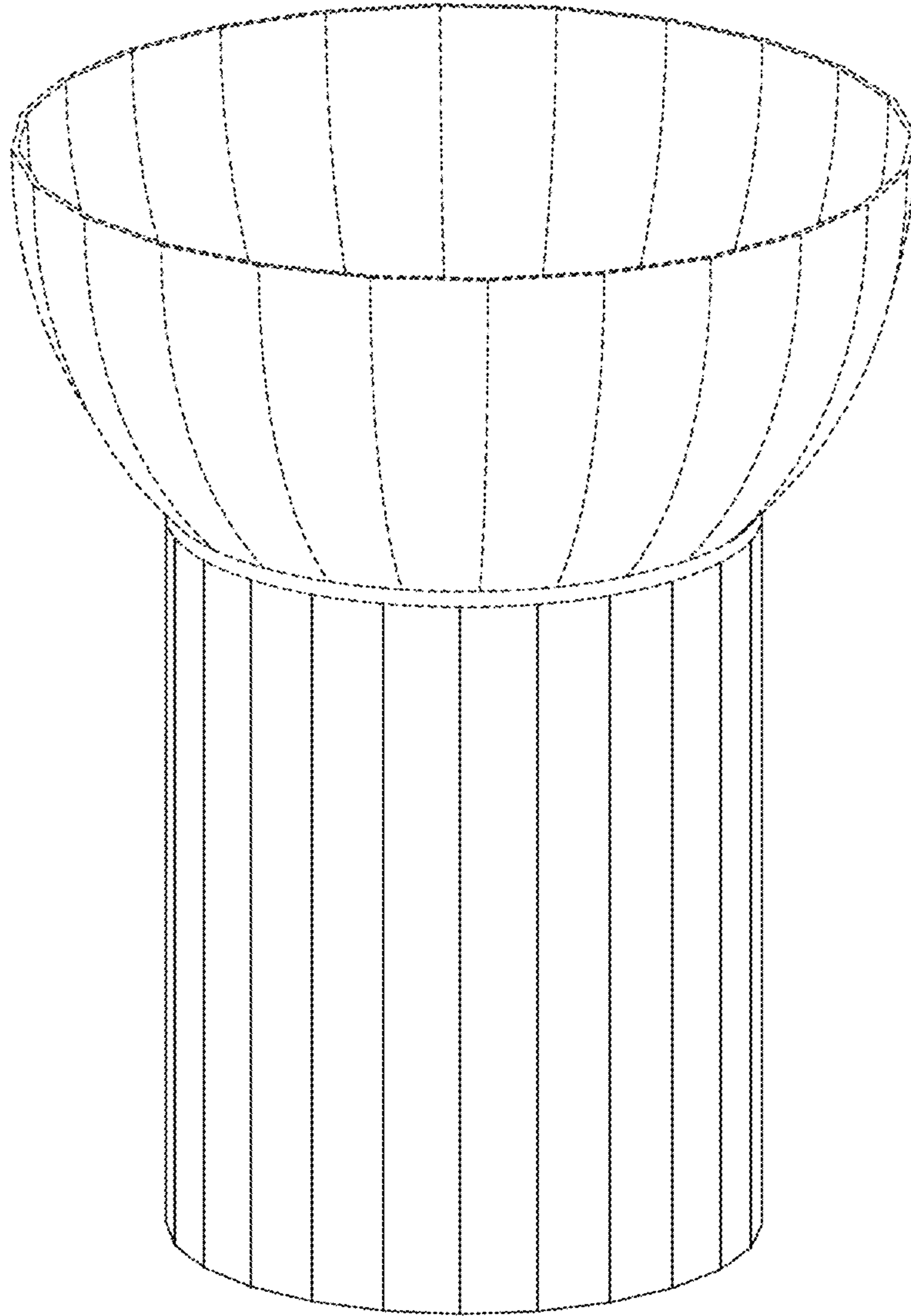


FIG. 2

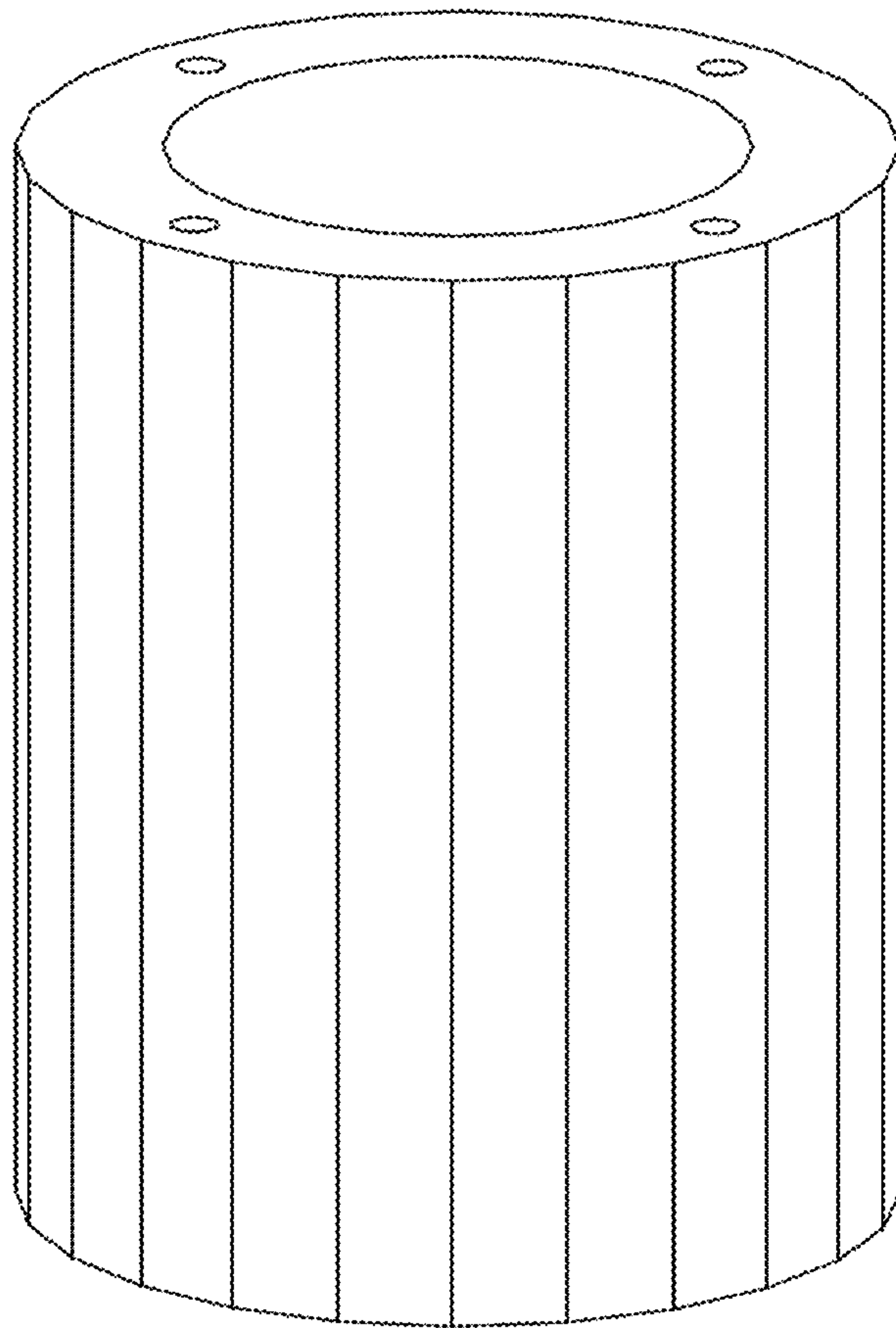


FIG. 3

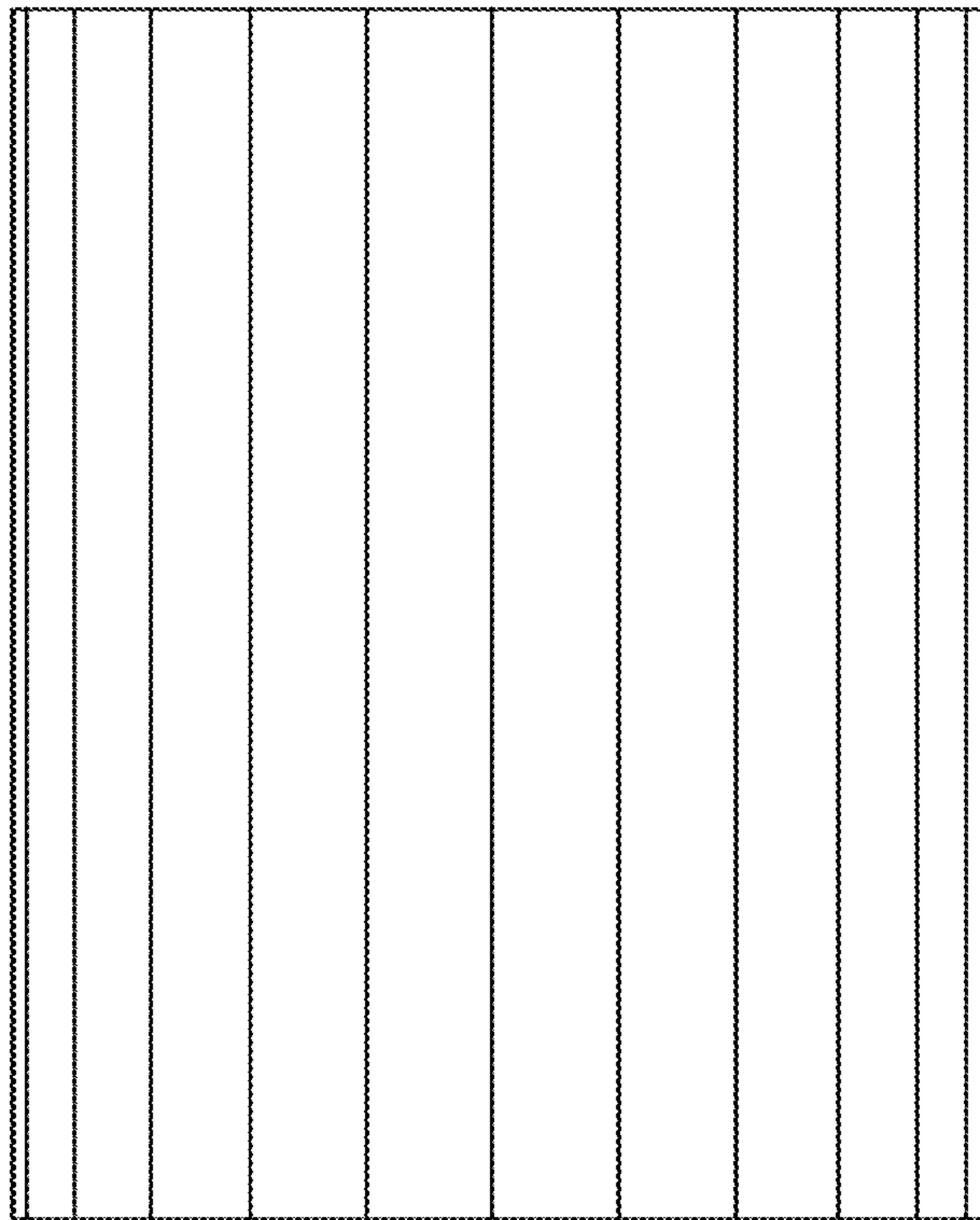


FIG. 4

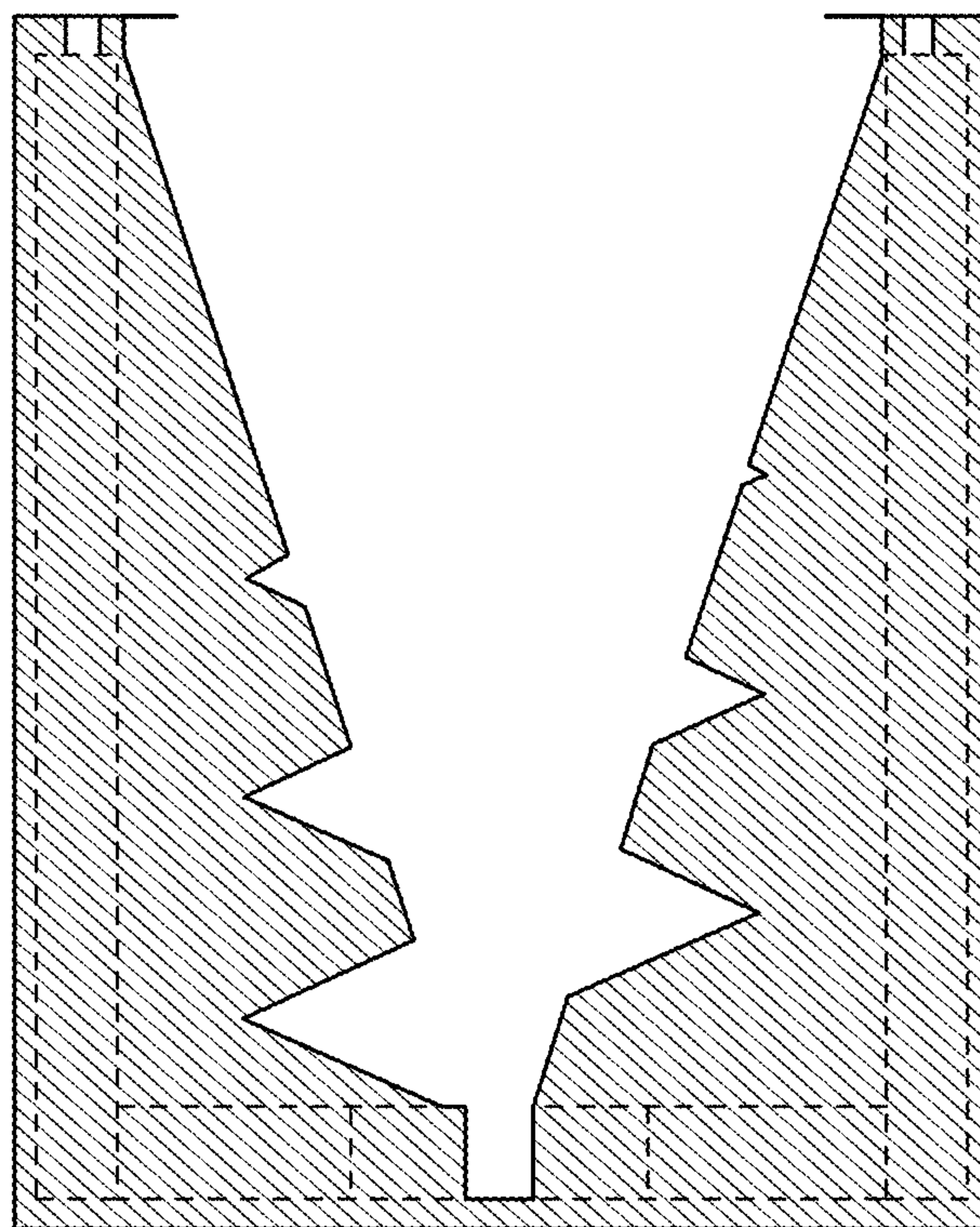


FIG. 5

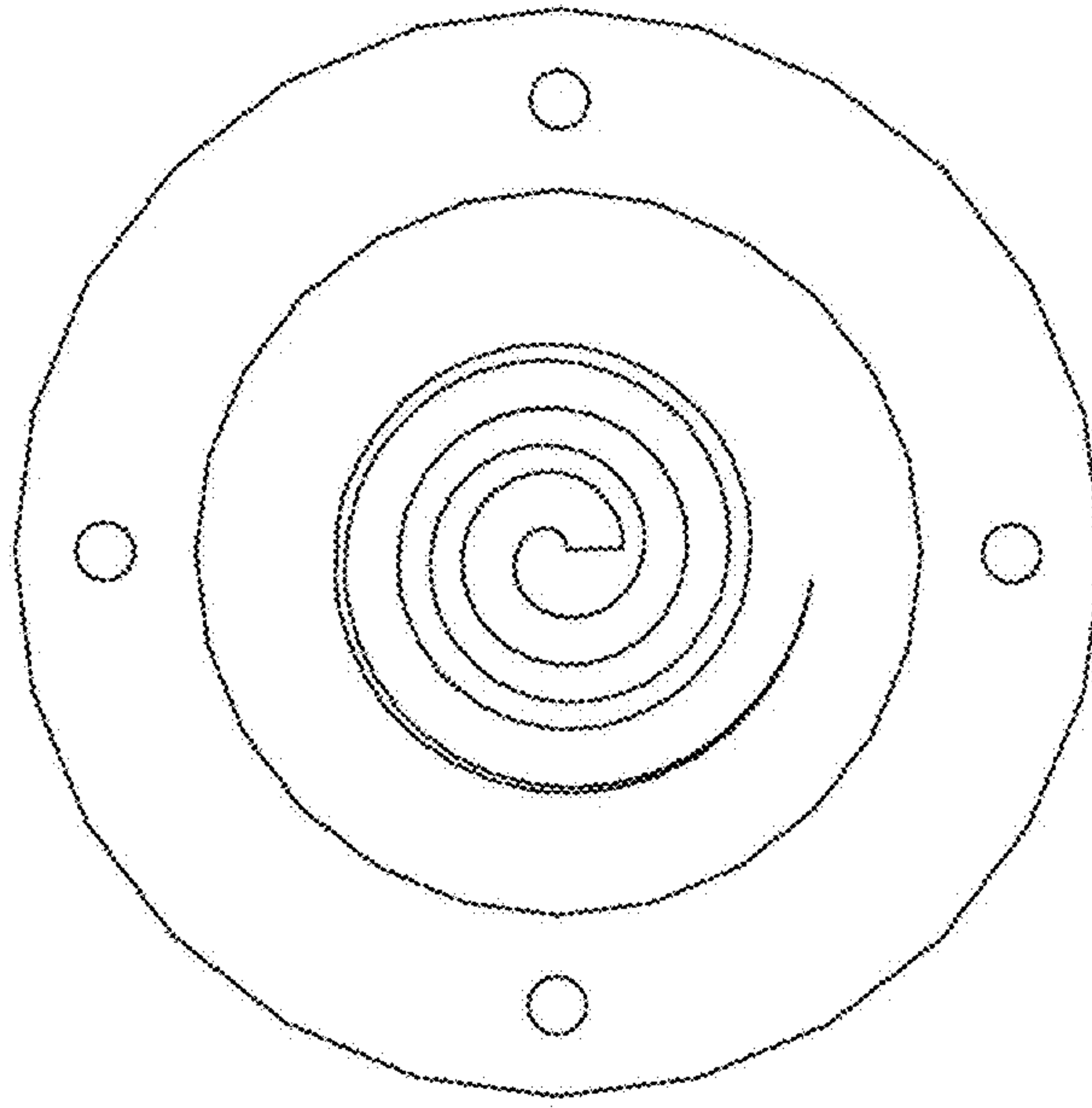


FIG. 6

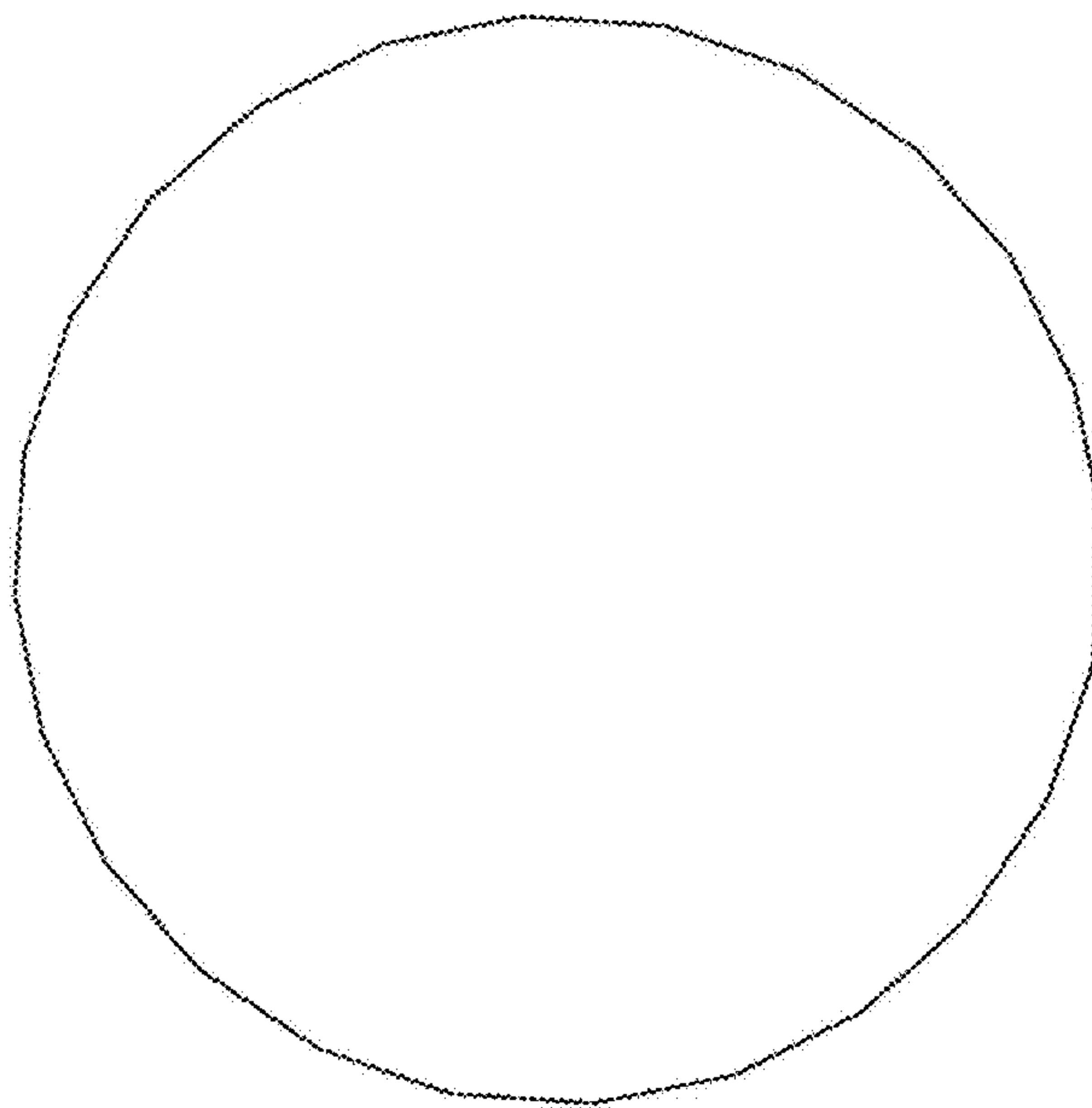


FIG. 7