



US00D983084S

(12) **United States Design Patent**
Zhao

(10) **Patent No.:** **US D983,084 S**
(45) **Date of Patent:** **** Apr. 11, 2023**

(54) **TREE SKIRT**

(71) Applicant: **NINGBO FLYING-HORSE INTERNATIONAL TRADE CO., LTD**, Ningbo (CN)

(72) Inventor: **Honghua Zhao**, Ningbo (CN)

(**) Term: **15 Years**

(21) Appl. No.: **29/837,374**

(22) Filed: **May 5, 2022**

(30) **Foreign Application Priority Data**

Jan. 28, 2022 (CN) 202230061558.6

(51) **LOC (14) Cl.** **11-04**

(52) **U.S. Cl.**
USPC **D11/130**

(58) **Field of Classification Search**
USPC D11/130, 130.1, 131, 143–145, 152–154;
D6/696.1, 705.4, 707.19, 708.21
CPC A47G 33/12; A47G 33/10; A47G 33/045
See application file for complete search history.

(56) **References Cited**

U.S. PATENT DOCUMENTS

- 3,158,957 A * 12/1964 Sierke A01G 9/02
47/75
- 5,197,414 A * 3/1993 Kanakura A01K 13/006
119/815
- 5,279,069 A * 1/1994 Myer A01G 13/0281
47/32
- 5,906,287 A * 5/1999 Kohlen H02G 3/14
206/223
- D741,220 S * 10/2015 Leppakorpi D11/164
- D851,434 S * 6/2019 Visger D6/707.19
- D942,312 S * 2/2022 Huang D11/130
- D942,313 S * 2/2022 Yuan D11/130

- D950,283 S * 5/2022 Ramos D6/696.1
- D957,068 S * 7/2022 Li D30/152
- 2010/0313471 A1* 12/2010 Middaugh A47G 33/12
47/40.5

(Continued)

FOREIGN PATENT DOCUMENTS

- CA 66129 * 5/1990
- CN 202130504590.2 * 11/2021

(Continued)

OTHER PUBLICATIONS

Glitzhome Metal Tree Collar, reviewed on (Nov. 27, 2021) on amazon.com, retrieved from internet (Nov. 29, 2022). <URL: https://www.amazon.com/glitzhome-Christmas-Hammered-Collar-Decorative/dp/B09DNRXPWW/ref=sr_1_1_sspa> (Year: 2021).*

(Continued)

Primary Examiner — Joseph Kukella
Assistant Examiner — Heather Ann Laaveg Wencil
(74) *Attorney, Agent, or Firm* — Rumit Ranjit Kanakia

(57) **CLAIM**

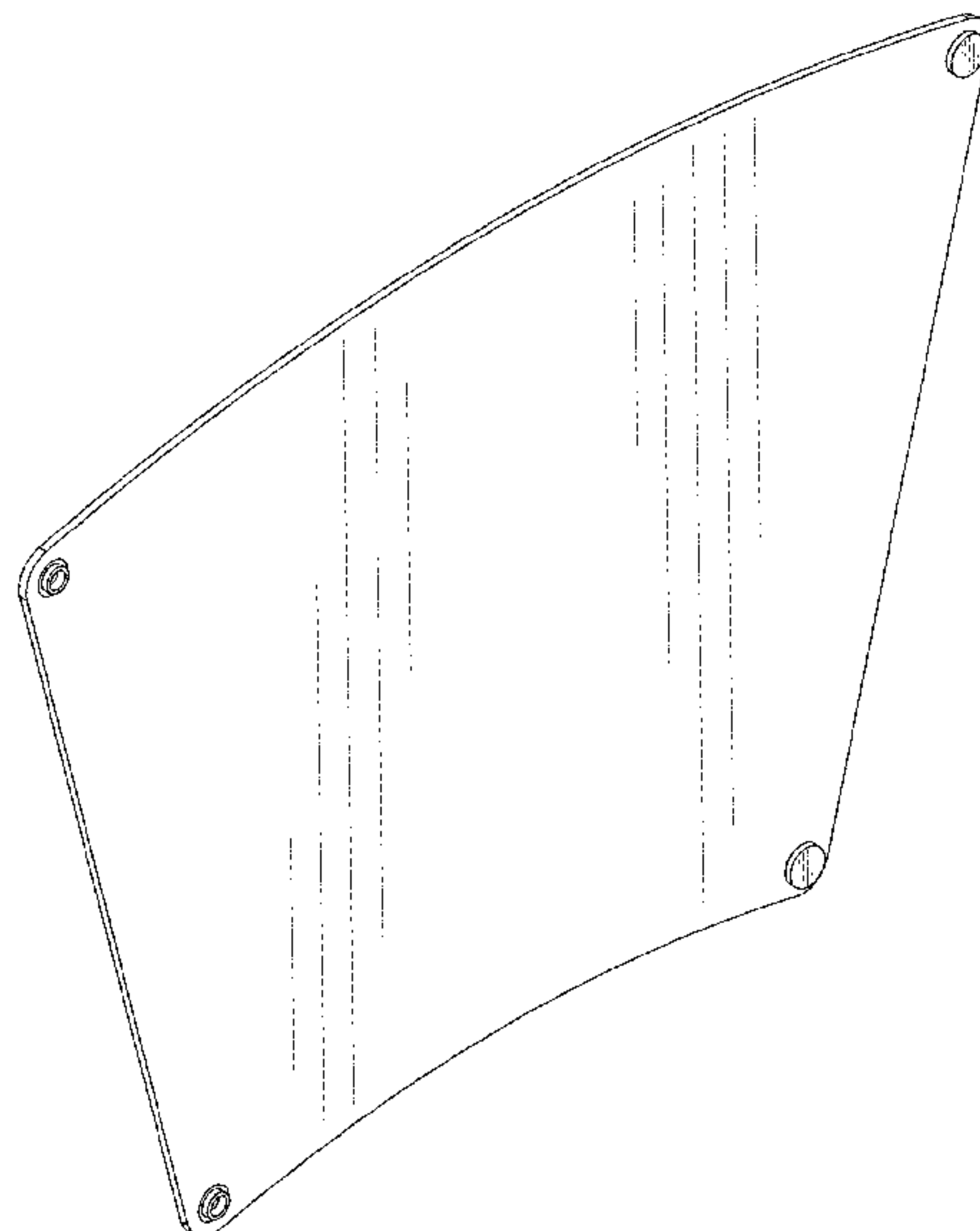
The ornamental design for a tree skirt, as shown and described.

DESCRIPTION

FIG. 1 is a first perspective view of a tree skirt showing my new design;
FIG. 2 is a second perspective view thereof;
FIG. 3 is a front view thereof;
FIG. 4 is a back view thereof;
FIG. 5 is a left side view thereof;
FIG. 6 is a right side view thereof;
FIG. 7 is a top view thereof;
FIG. 8 is a bottom view thereof; and,
FIG. 9 is a perspective view of the using state of the tree skirt thereof.

The broken lines shown in the drawings depict portions of the tree skirt that form no part of the claimed design.

1 Claim, 9 Drawing Sheets



(56)

References Cited

U.S. PATENT DOCUMENTS

2018/0078071 A1* 3/2018 Olds A47G 33/045
2022/0256780 A1* 8/2022 Zhao A47G 33/08

FOREIGN PATENT DOCUMENTS

CN 202130562570.0 * 5/2022
CN 202230061558.6 * 5/2022

OTHER PUBLICATIONS

Lakeside Collection Copper Tree Collar, published on (Aug. 5, 2021) on amazon.com, retrieved from internet (Nov. 18, 2022). <URL: https://www.amazon.com/Copper-Finish-Collar-Design-Christmas/dp/B09C13LB25/ref=sr_1_1_mod_primary_new> (Year: 2021).*

Tree Nest, published on (Jul. 15, 2022) on amazon.com, retrieved from internet (Nov. 29, 2022). <URL: https://www.amazon.com/Tree-Nest-Christmas-Durable-Decorations/dp/B0B6NVKDR6/ref=sr_1_1> (Year: 2022).*

* cited by examiner

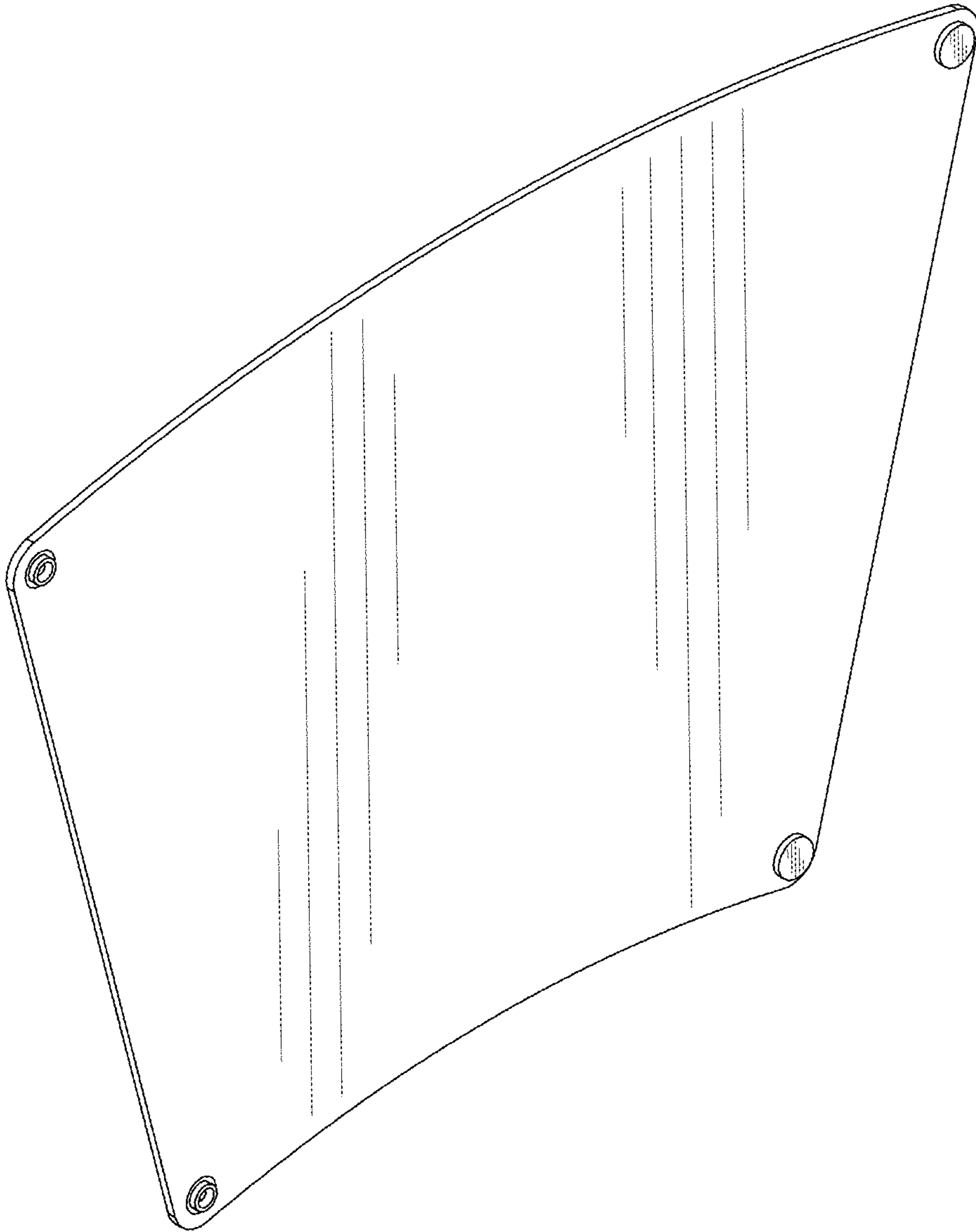


FIG. 1

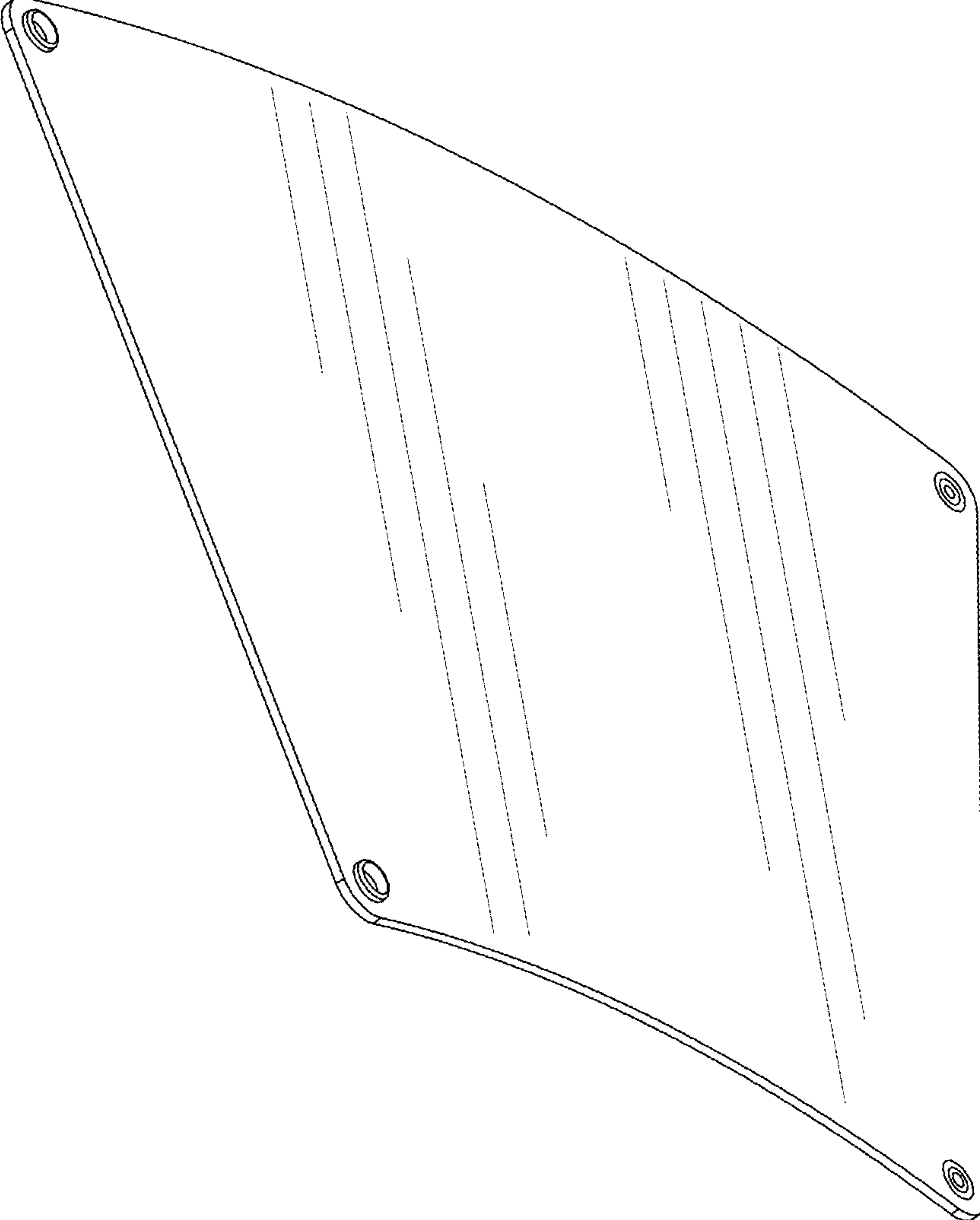


FIG. 2

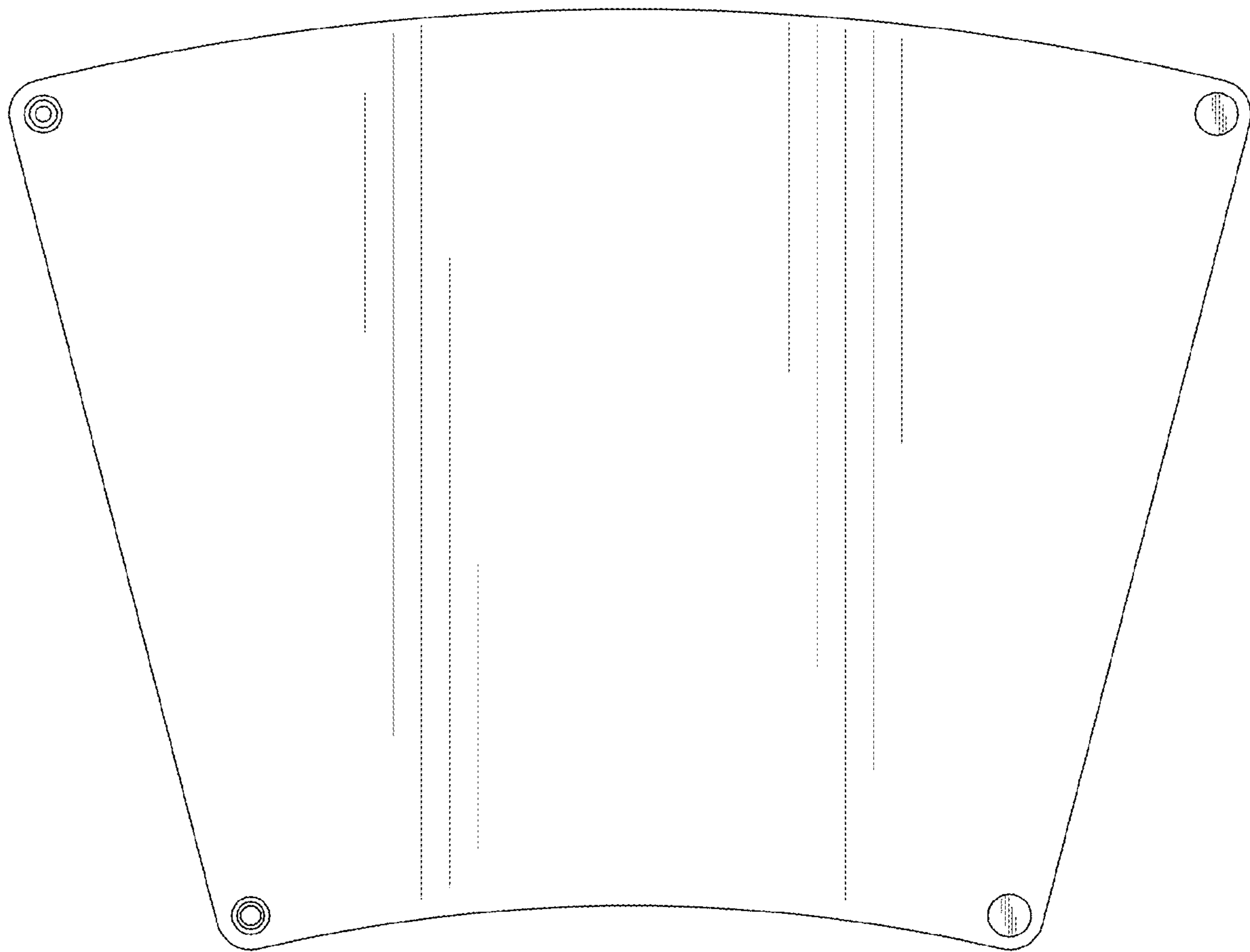


FIG. 3

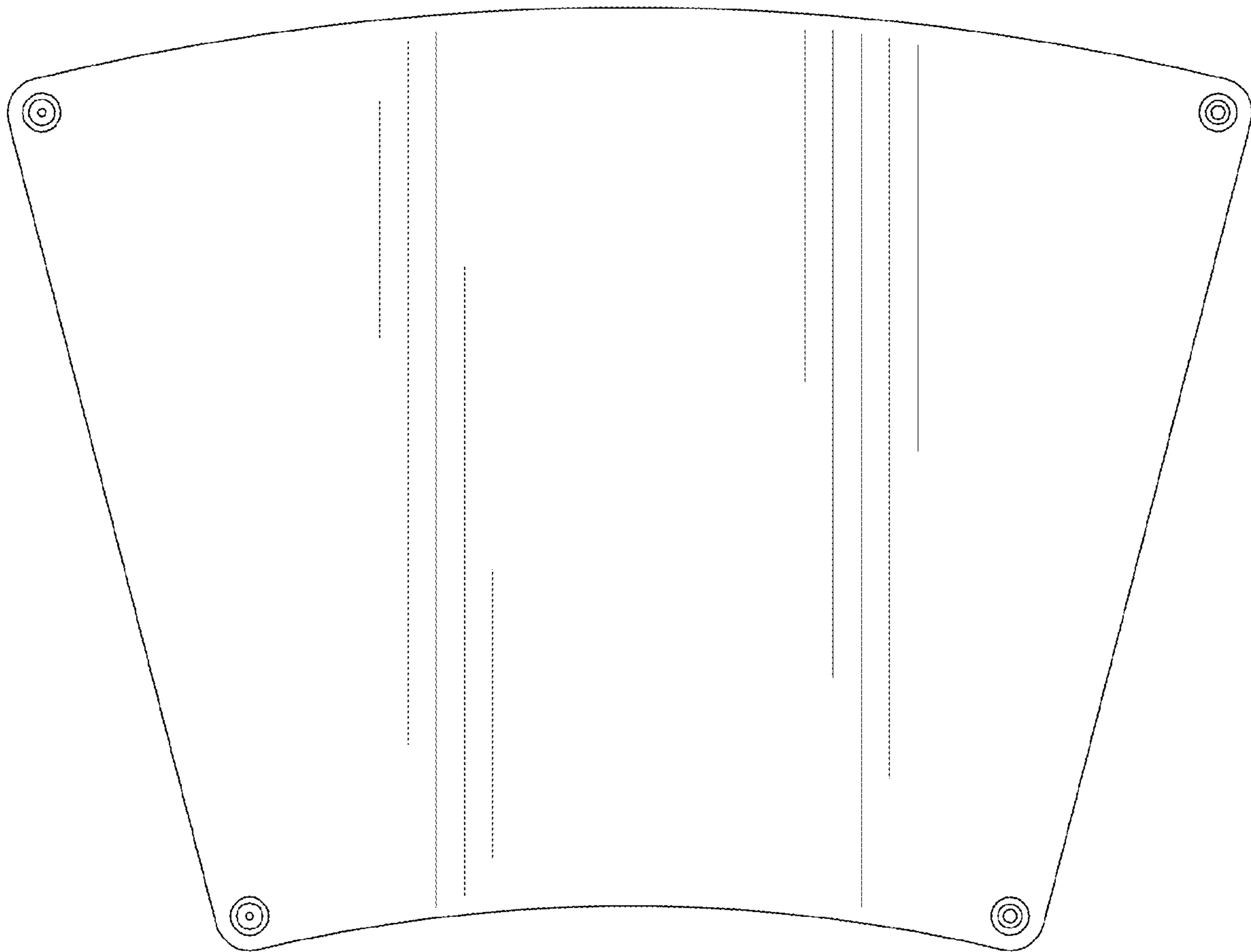


FIG. 4

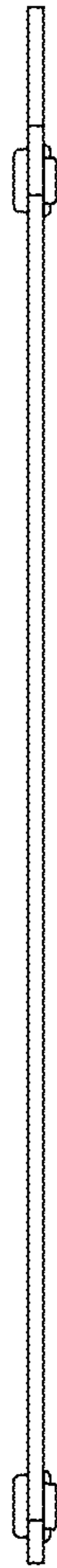


FIG. 5

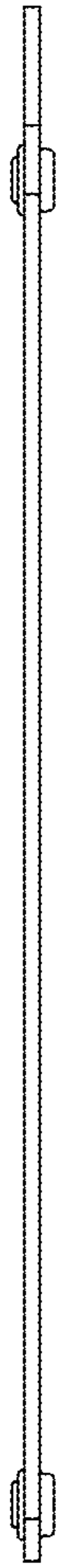


FIG. 6

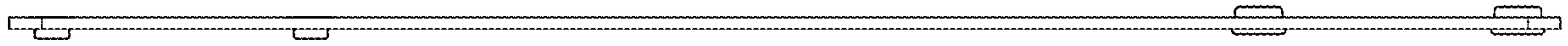


FIG. 7

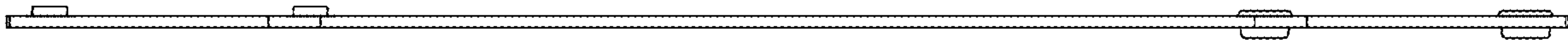


FIG. 8

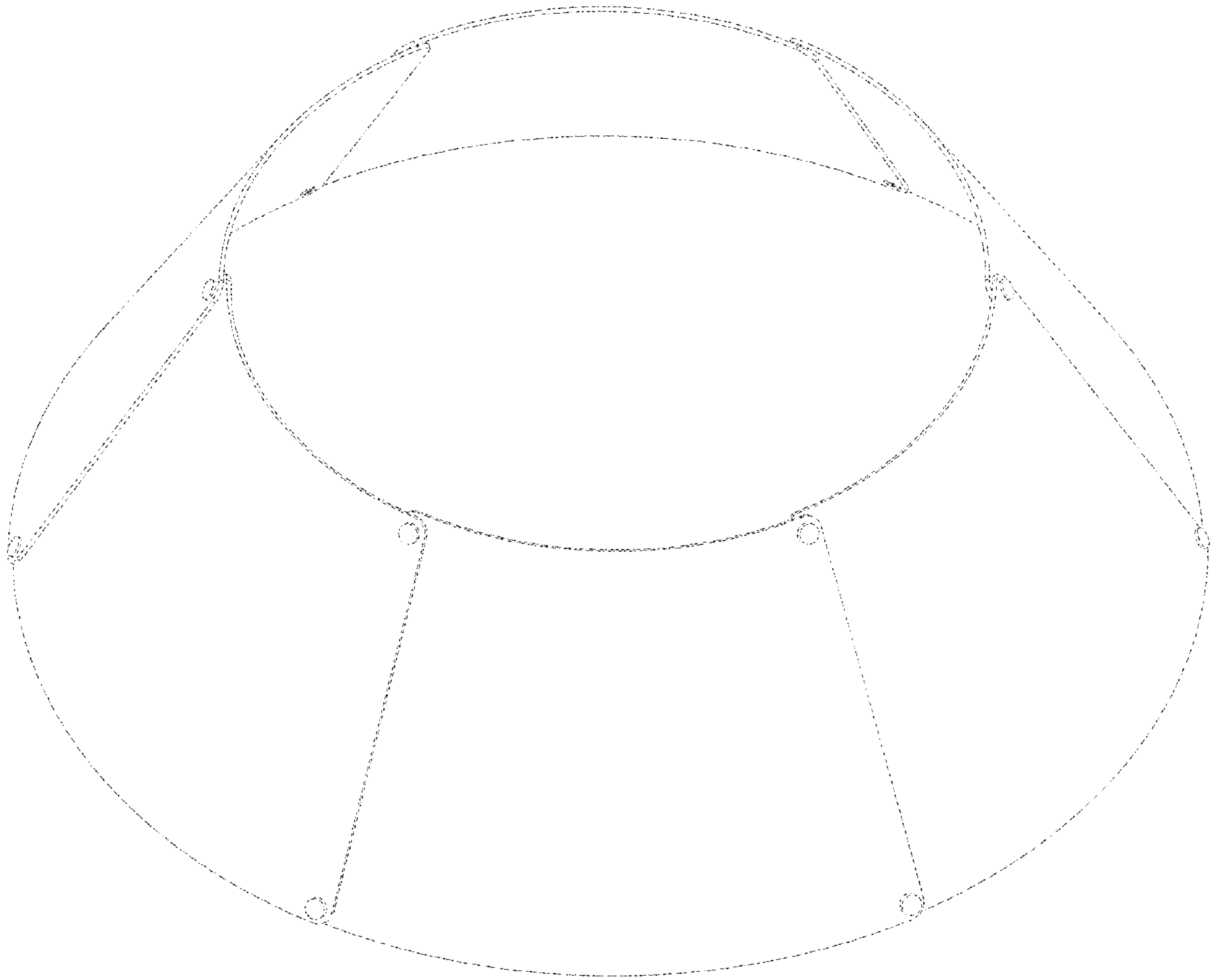


FIG. 9