



US00D983083S

(12) **United States Design Patent** (10) **Patent No.:** **US D983,083 S**  
**Zhang** (45) **Date of Patent:** **\*\* Apr. 11, 2023**

(54) **CHRISTMAS TREE TOPPER BOW** 2,886,912 A \* 5/1959 Rowland ..... D04D 7/10  
2/244  
(71) Applicant: **DONGYANG HUAHENG ARTS** 3,501,364 A \* 3/1970 Rowland ..... D04D 7/10  
**AND CRAFTS CO., LTD.**, Zhejiang 2/244  
(CN) 4,339,059 A \* 7/1982 Kenyon ..... D04D 7/10  
2/151

(Continued)

(72) Inventor: **Zhiguo Zhang**, Zhejiang (CN)

(73) Assignee: **DONGYANG HUAHENG ARTS**  
**AND CRAFTS CO., LTD.**, Zhejiang  
(CN)

(\*\*) Term: **15 Years**

(21) Appl. No.: **29/838,951**

(22) Filed: **May 17, 2022**

(51) **LOC (14) Cl.** ..... **11-05**

(52) **U.S. Cl.**  
USPC ..... **D11/124**

(58) **Field of Classification Search**  
USPC ..... D11/117, 121, 124, 125, 130, 131, 132,  
D11/133, 142, 157, 164, 66, 74; D28/39,  
D28/40, 42; 428/4, 5, 7, 8, 9, 12  
CPC ..... A47G 33/00; A47G 33/12; A47G  
2033/1266; B44C 5/00; B44C 7/00;  
D04D 1/00; D04D 1/02; D04D 1/04;  
D04D 9/00; D04D 9/02; D04D 9/04;  
D04D 9/06  
See application file for complete search history.

(56) **References Cited**

**U.S. PATENT DOCUMENTS**

595,926 A \* 12/1897 Skillen ..... A45D 8/006  
132/275  
1,007,586 A \* 10/1911 Martin ..... A45D 8/006  
132/275  
1,055,428 A \* 3/1913 Stone ..... A41B 3/08  
24/329  
2,105,436 A \* 1/1938 Flatto ..... A41D 25/02  
223/46  
D128,682 S \* 8/1941 Reinstein ..... D11/74

**OTHER PUBLICATIONS**

1 PC Methodologic Exclusive Red Velvet Large Bows for Wreaths,  
Red Large Ribbon Tree Bows, Indoor Outdoor Decoration, [https://www.amazon.com/dp/B0B82B9ZVM/ref=sspa\\_dk\\_detail\\_5?psc=1&pd\\_rd\\_i=B0B82B9ZVM&pd\\_rd\\_w=oNNid&content-id=amzn1.sym.af9528d2-09ba-47ee-b909-59e3022bebe1&pf, Dec. 15, 2022.](https://www.amazon.com/dp/B0B82B9ZVM/ref=sspa_dk_detail_5?psc=1&pd_rd_i=B0B82B9ZVM&pd_rd_w=oNNid&content-id=amzn1.sym.af9528d2-09ba-47ee-b909-59e3022bebe1&pf_rd_i=amzn1.sym.af9528d2-09ba-47ee-b909-59e3022bebe1&pf_rd_w=amzn1.sym.af9528d2-09ba-47ee-b909-59e3022bebe1&pf_rd_wt=amzn1.sym.af9528d2-09ba-47ee-b909-59e3022bebe1&pf_rd_wt=amzn1.sym.af9528d2-09ba-47ee-b909-59e3022bebe1)  
(Year: 2022).\*

(Continued)

*Primary Examiner* — Elizabeth J Oswecki  
(74) *Attorney, Agent, or Firm* — ScienBiziP, P.C.

(57) **CLAIM**

The ornamental design for a Christmas tree topper bow, as shown and described.

**DESCRIPTION**

The present application is a continuation-in-part of application Ser. No. 29833750, filed on Apr. 6, 2022.  
FIG. 1 is a front, right and top perspective view of a Christmas tree topper bow, showing my new design, shown in a used condition attached to six ribbons shown in broken lines.  
FIG. 2 is a rear, left and bottom perspective view thereof.  
FIG. 3 is a front elevation view thereof.  
FIG. 4 is a rear elevation view thereof.  
FIG. 5 is a left side elevation view thereof.  
FIG. 6 is a right side elevation view thereof.  
FIG. 7 is a top plan view thereof; and,  
FIG. 8 is a bottom plan view thereof.

(Continued)



The broken lines shown in the drawings are included for the purpose of illustrating portions of the Christmas tree topper bow that form no part of the claimed design.

**1 Claim, 8 Drawing Sheets**

(56)

**References Cited**

U.S. PATENT DOCUMENTS

4,724,175 A \* 2/1988 LaBrosse ..... D04D 7/105  
428/101  
4,900,632 A \* 2/1990 McGrath ..... D04D 7/10  
223/46  
D333,802 S \* 3/1993 Stabler ..... D11/131  
5,198,274 A \* 3/1993 Etzion ..... D04D 7/10  
223/46  
D338,628 S \* 8/1993 Daun ..... D11/124  
D342,464 S \* 12/1993 Lardiere ..... D11/184  
5,526,830 A \* 6/1996 Hunter ..... G09F 27/00  
132/273  
D390,808 S \* 2/1998 Balde ..... D11/121  
D402,918 S \* 12/1998 Pacheco ..... D11/184  
D421,665 S \* 3/2000 Farmer-Abney ..... D28/41  
6,681,965 B1 \* 1/2004 Tran ..... D04D 7/10  
223/46  
D554,325 S \* 10/2007 Thomas ..... D5/40  
D561,059 S \* 2/2008 Aoyama ..... D11/124  
D607,773 S \* 1/2010 Aoyama ..... D11/124  
D701,791 S 4/2014 Portney  
D771,516 S 11/2016 Proctor

D802,907 S \* 11/2017 Prochmann ..... D2/976  
D802,908 S \* 11/2017 Prochmann ..... D2/976  
D804,726 S \* 12/2017 Lan ..... D28/40  
D805,690 S \* 12/2017 Lan ..... D28/40  
D824,589 S \* 7/2018 Anico ..... D28/41  
D824,657 S \* 8/2018 Prochmann ..... D2/976  
D834,805 S \* 12/2018 Prochmann ..... D2/976  
D909,241 S \* 2/2021 Bielecki ..... D11/184  
D920,155 S \* 5/2021 Bielecki ..... D11/184  
D920,156 S \* 5/2021 Bielecki ..... D11/184  
D920,157 S \* 5/2021 Bielecki ..... D11/184  
D920,158 S \* 5/2021 Bielecki ..... D11/184  
D928,024 S \* 8/2021 Yu ..... D11/124  
D942,888 S \* 2/2022 Luo ..... D11/124

OTHER PUBLICATIONS

Meseey 36x18 Inches Extra-Large Christmas Tree Topper Bow Red Velvet Ribbon Gift Bows for Christmas Home Decor, Outdoor Indoor Car Decoration (1Pcs x Red Velvet),[https://www.amazon.com/dp/B0B62V5LHX/ref=sspa\\_dk\\_detail\\_0?pd\\_rd\\_i=B0B62V5LHX&pd\\_rd\\_w=vA87x&content-id=amzn1.sym.af9528d2-09ba,Jul. 8, 2022. \(Year: 2022\).](https://www.amazon.com/dp/B0B62V5LHX/ref=sspa_dk_detail_0?pd_rd_i=B0B62V5LHX&pd_rd_w=vA87x&content-id=amzn1.sym.af9528d2-09ba,Jul. 8, 2022. (Year: 2022).)\*

H&L Black and White Check Buffalo Plaid Ribbon Bow for Christmas Tree Topper or Home Decor,[https://www.amazon.com/dp/B07ZMHHMLT/ref=sbl\\_dpx\\_seasonal-tree-toppers\\_B08KZL7WB1\\_0,Oct. 26, 2019. \(Year: 2019\).](https://www.amazon.com/dp/B07ZMHHMLT/ref=sbl_dpx_seasonal-tree-toppers_B08KZL7WB1_0,Oct. 26, 2019. (Year: 2019).)\*

Inventor's, Zhiguo Zhang, publication on Amazon dated Nov. 4, 2021. Please refer to [https://www.amazon.com/dp/B09G34DMGH?ref=myi\\_title\\_dp, the declaration, the Sales Authorization Certificate, and the Proof of Identity of Legal Representative.](https://www.amazon.com/dp/B09G34DMGH?ref=myi_title_dp, the declaration, the Sales Authorization Certificate, and the Proof of Identity of Legal Representative.)

\* cited by examiner

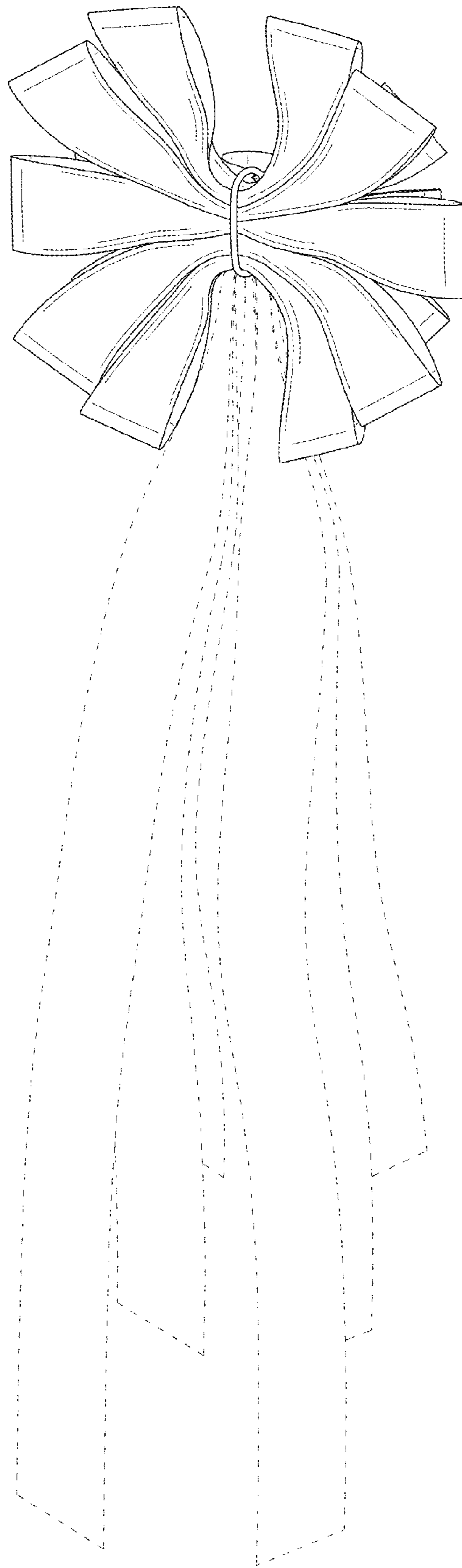


FIG. 1

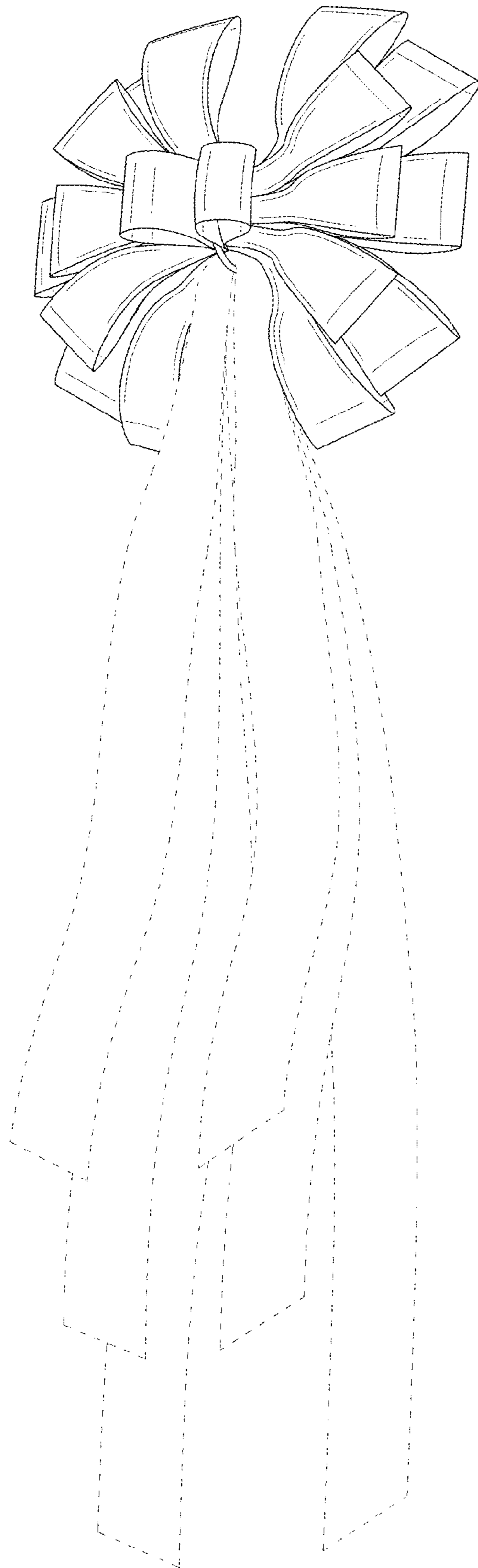


FIG. 2

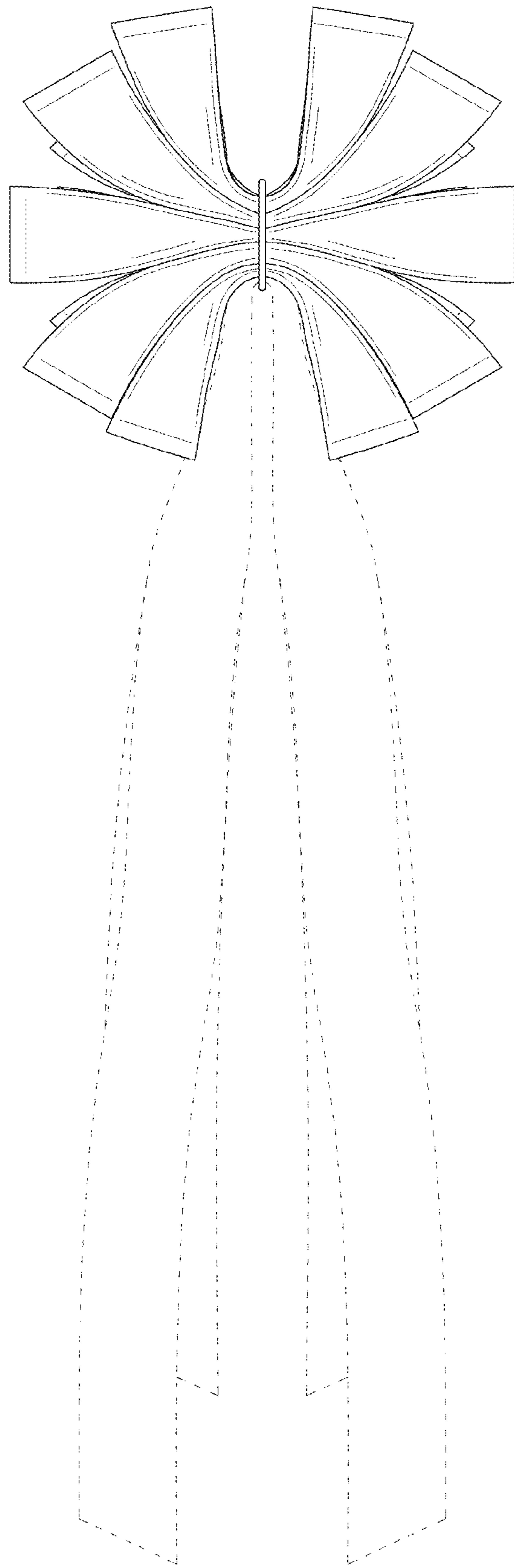


FIG. 3

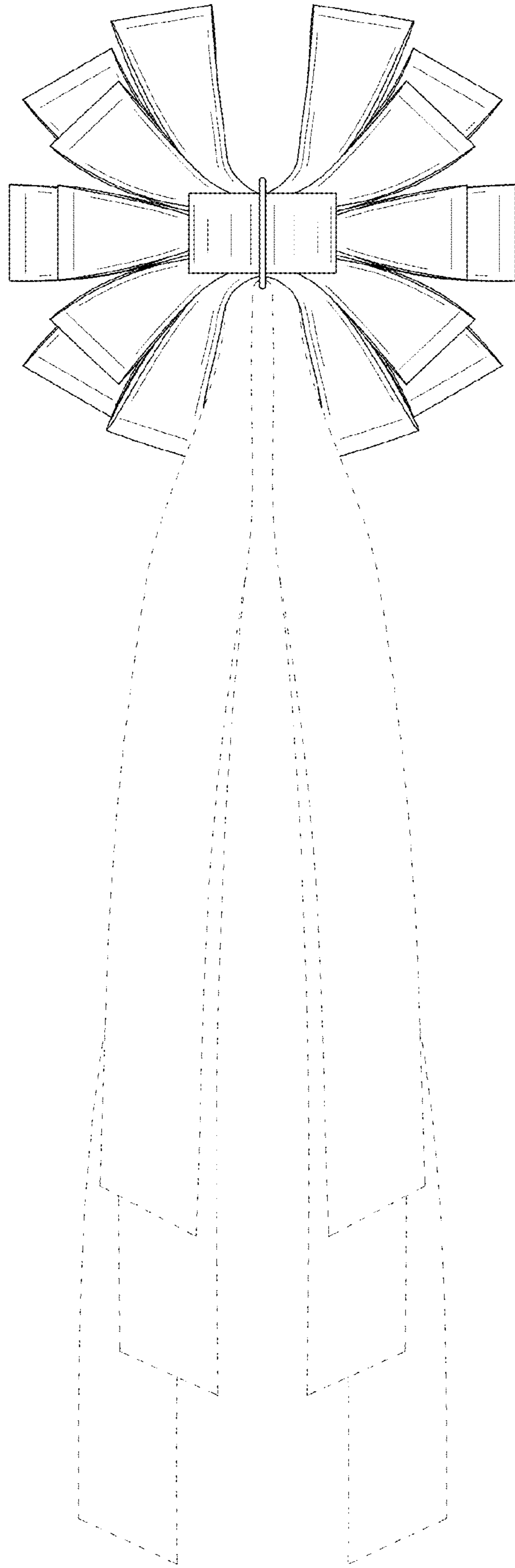


FIG. 4

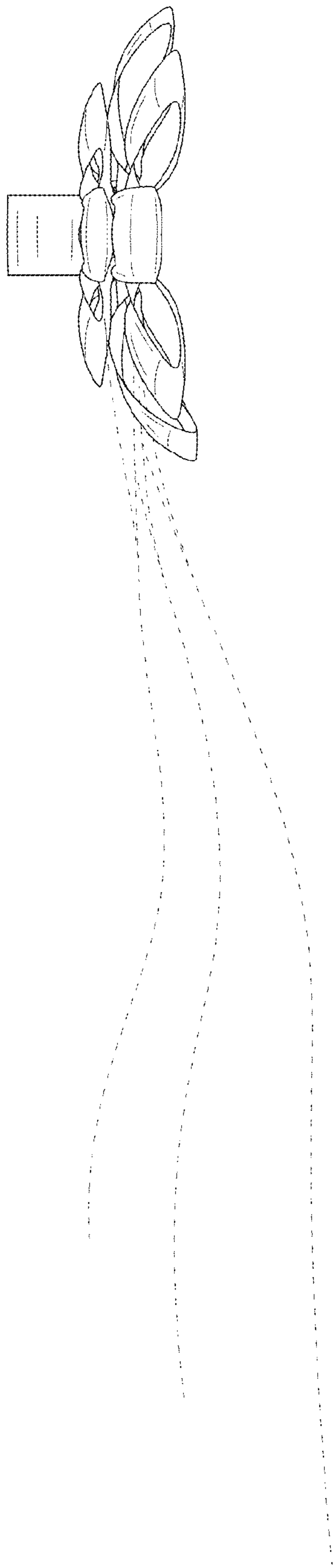


FIG. 5

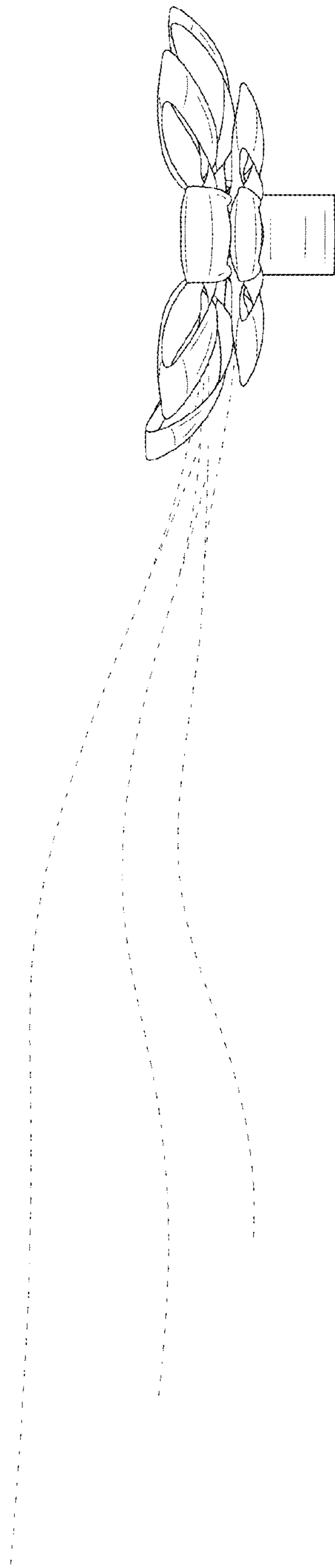


FIG. 6



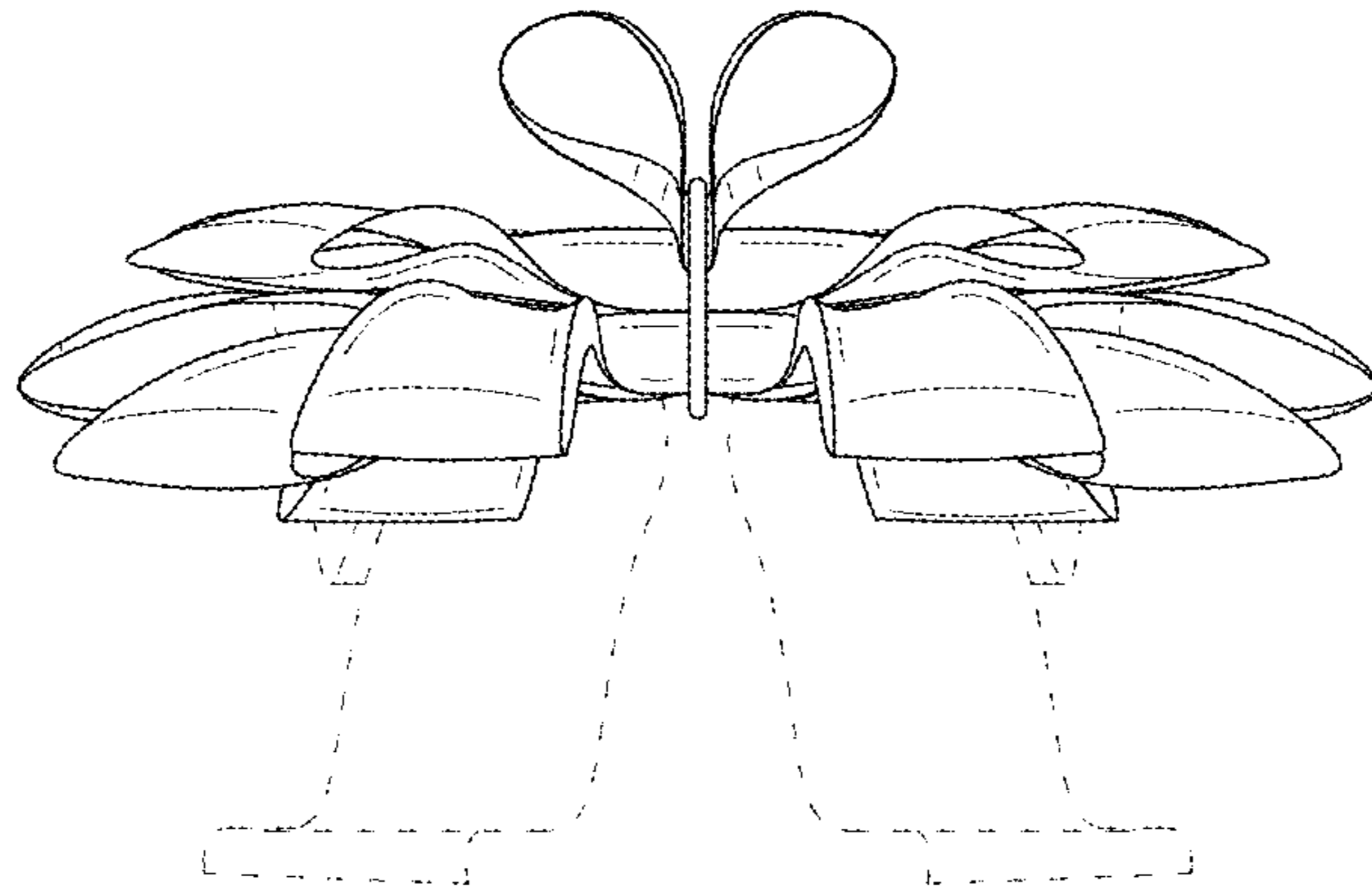


FIG. 7

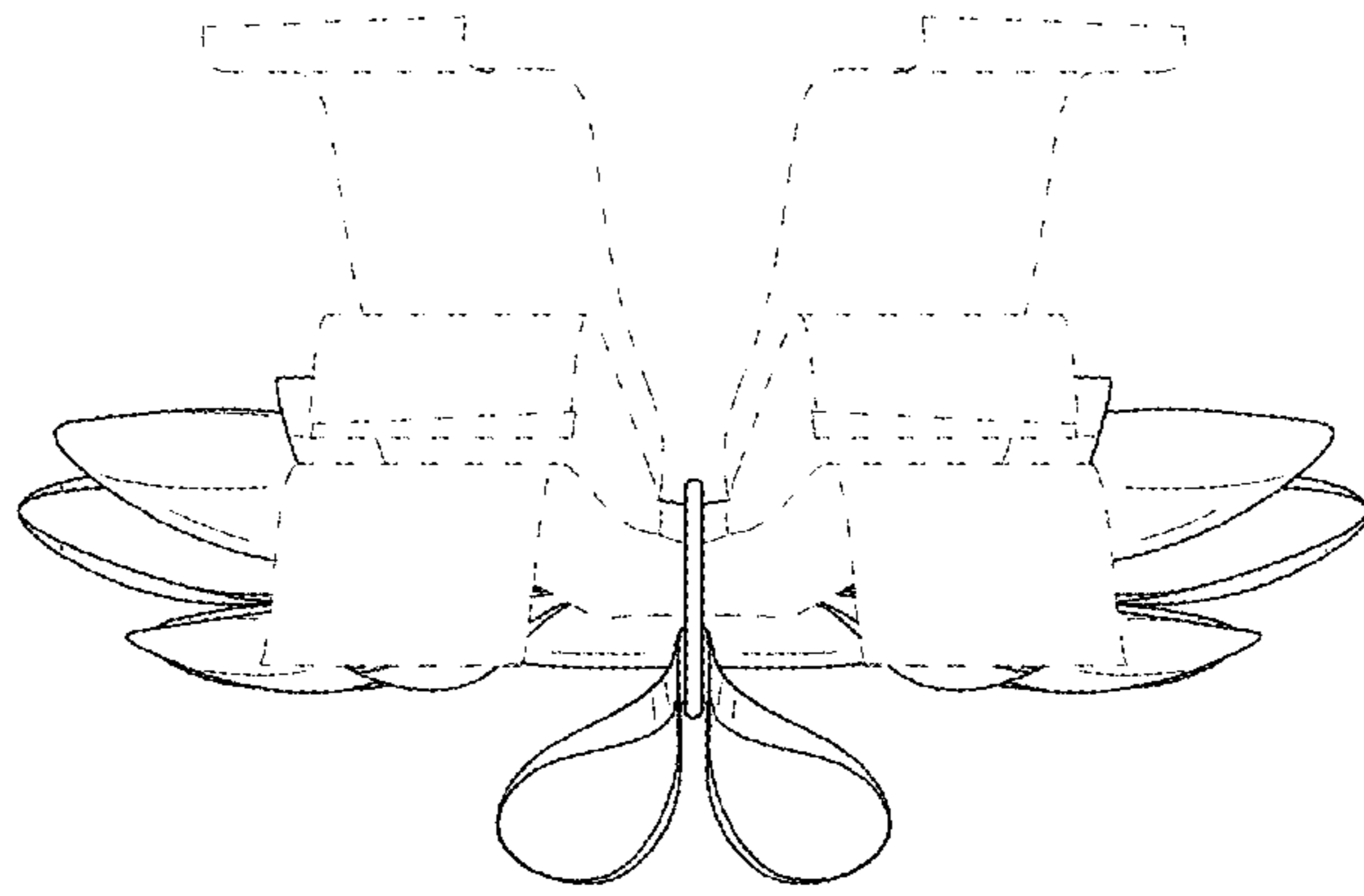


FIG. 8