



US00D983079S

(12) **United States Design Patent** (10) **Patent No.:** **US D983,079 S**
O'Desky (45) **Date of Patent:** **** Apr. 11, 2023**

(54) **DIAMOND**

(71) Applicant: **Diamond Room of Dallas LLC**,
Austin, TX (US)

(72) Inventor: **Matthew O'Desky**, Austin, TX (US)

(73) Assignee: **Diamond Room of Dallas, LLC**,
Austin, TX (US)

(**) Term: **15 Years**

(21) Appl. No.: **29/797,385**

(22) Filed: **Jun. 30, 2021**

(51) **LOC (14) Cl.** **11-01**

(52) **U.S. Cl.**
USPC **D11/90**

(58) **Field of Classification Search**
USPC D11/1, 2, 16, 26-29, 30, 34, 35, 36, 44,
D11/48, 62, 81, 89-92, 165
CPC A44C 17/00; A44C 17/001; A44C 17/002;
A44C 17/003; A44C 17/005; A44C
17/006; A44C 17/007; A44C 17/008
See application file for complete search history.

(56) **References Cited**

U.S. PATENT DOCUMENTS

| | | | | |
|--------------|---------|----------|-------|----------|
| D39,107 S * | 2/1908 | Jacobs | | D11/81 |
| D154,061 S * | 6/1949 | Patty | | D11/30 |
| D218,272 S * | 8/1970 | Bothe | | D8/19 |
| D265,866 S * | 8/1982 | Levin | | D3/271.1 |
| D270,121 S * | 8/1983 | Brown | | D6/563 |
| D278,418 S * | 4/1985 | Nejman | | D11/90 |
| D433,898 S * | 11/2000 | Hunt | | D8/38 |
| D459,795 S * | 7/2002 | Moran | | D23/367 |
| D577,311 S * | 9/2008 | Williams | | D11/133 |

OTHER PUBLICATIONS

Opal Texas Necklace, first available Mar. 28, 2018, [online], [site visited Nov. 8, 2022], Available from internet URL: <https://jewelrysavinglives.com/products/opal-texas-necklace-texas-state-necklace-white-opal-necklace-texas-state-jewelry-texas-opal-opal-necklace?variant=398747> (Year: 2018).*

Custom Cut Diamonds and More!, first available Aug. 30, 2022, daimondrooms.com, [online], [site visited Nov. 8, 2022], Available from internet URL: <https://daimondrooms.com/blog/custom-cut-diamonds-and-more/> (Year: 2022).*

* cited by examiner

Primary Examiner — Tracey J Bell

Assistant Examiner — Amina Rahman

(74) *Attorney, Agent, or Firm* — Traverse Legal, PLC

(57) **CLAIM**

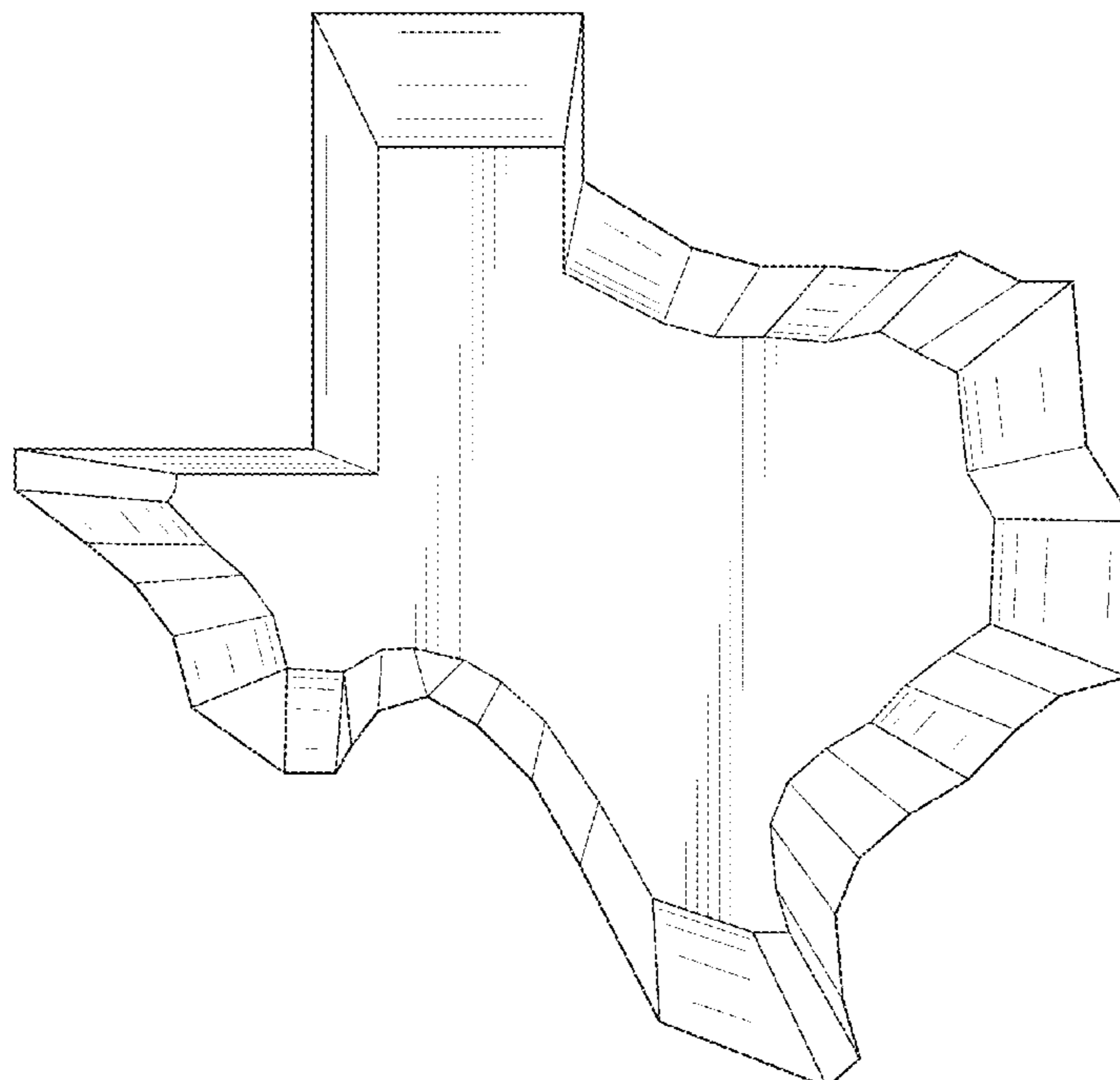
I claim the ornamental design for a diamond, as shown and described.

DESCRIPTION

FIG. 1 is a perspective view of a diamond;
FIG. 2 is a right-side elevational view thereof;
FIG. 3 is a left-side elevational view thereof;
FIG. 4 is a front elevational view thereof;
FIG. 5 is a rear elevational view thereof;
FIG. 6 is a top plan view thereof; and,
FIG. 7 is a bottom plan view thereof.

The broken lines shown in the drawings are included for purposes of illustrating environment and form no part of the claimed design. The surface shading lines show contour and/or distinguish between open and solid areas. The surface shading lines are not surface ornamentation.

1 Claim, 5 Drawing Sheets



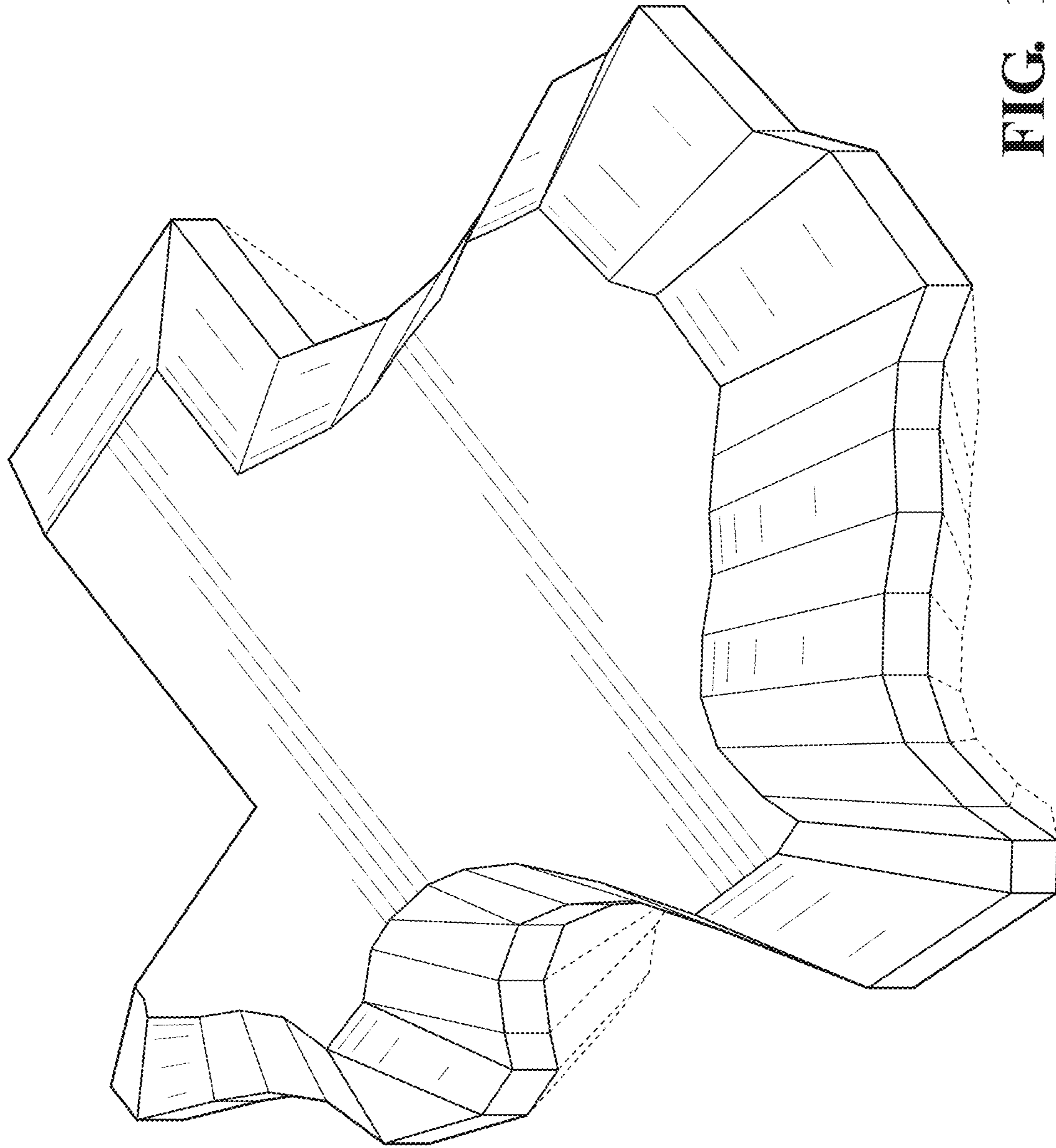
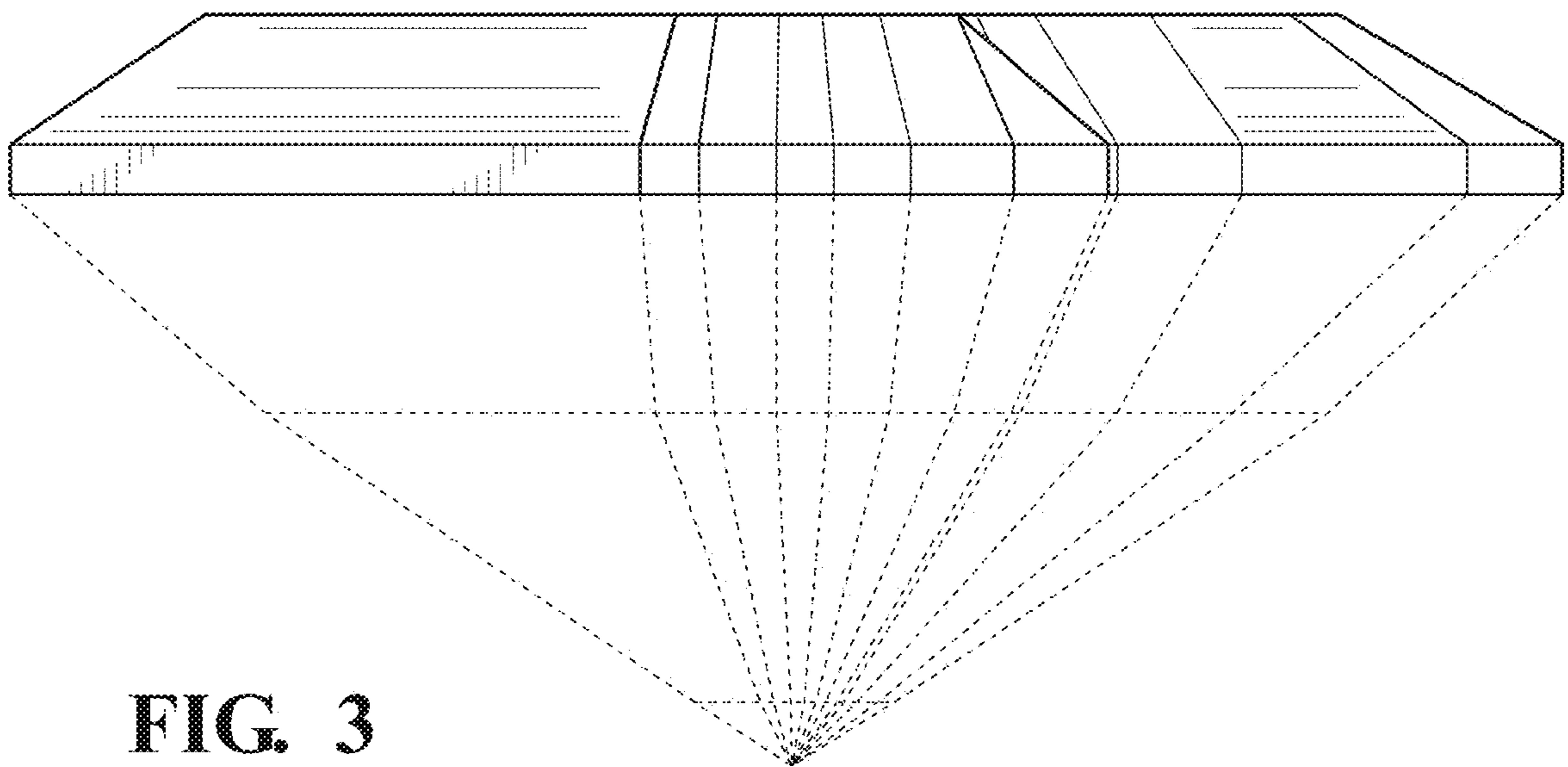
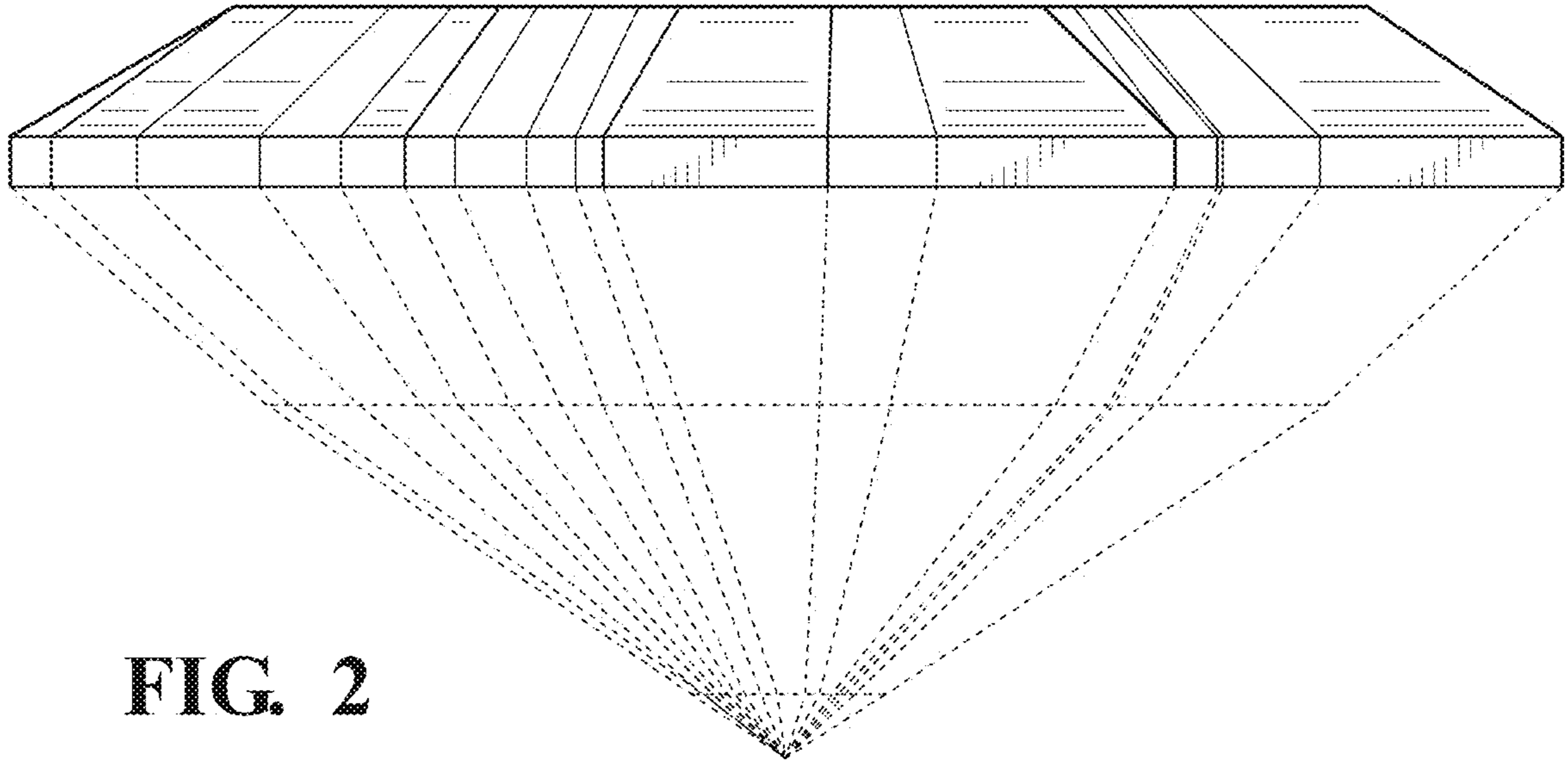


FIG. 1



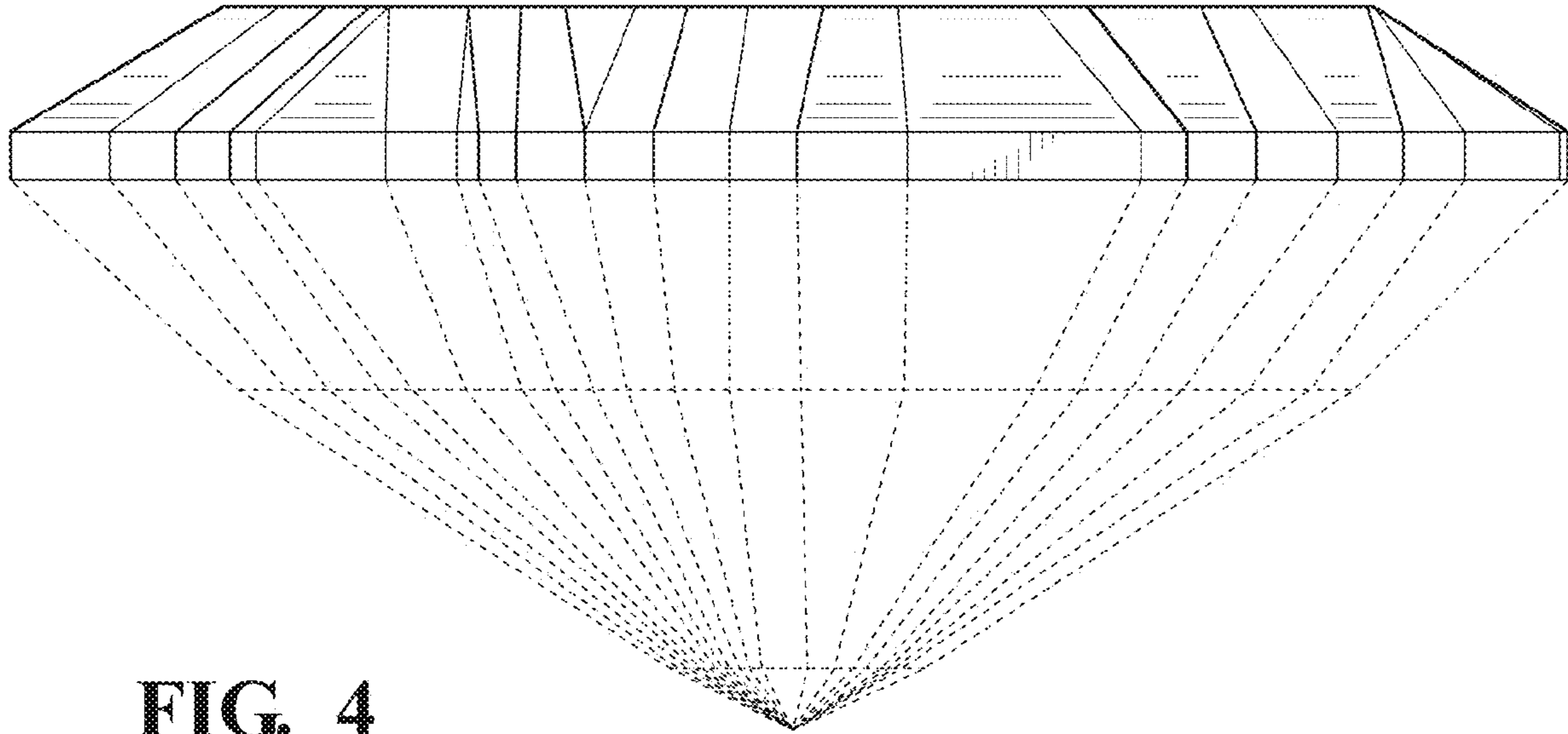


FIG. 4

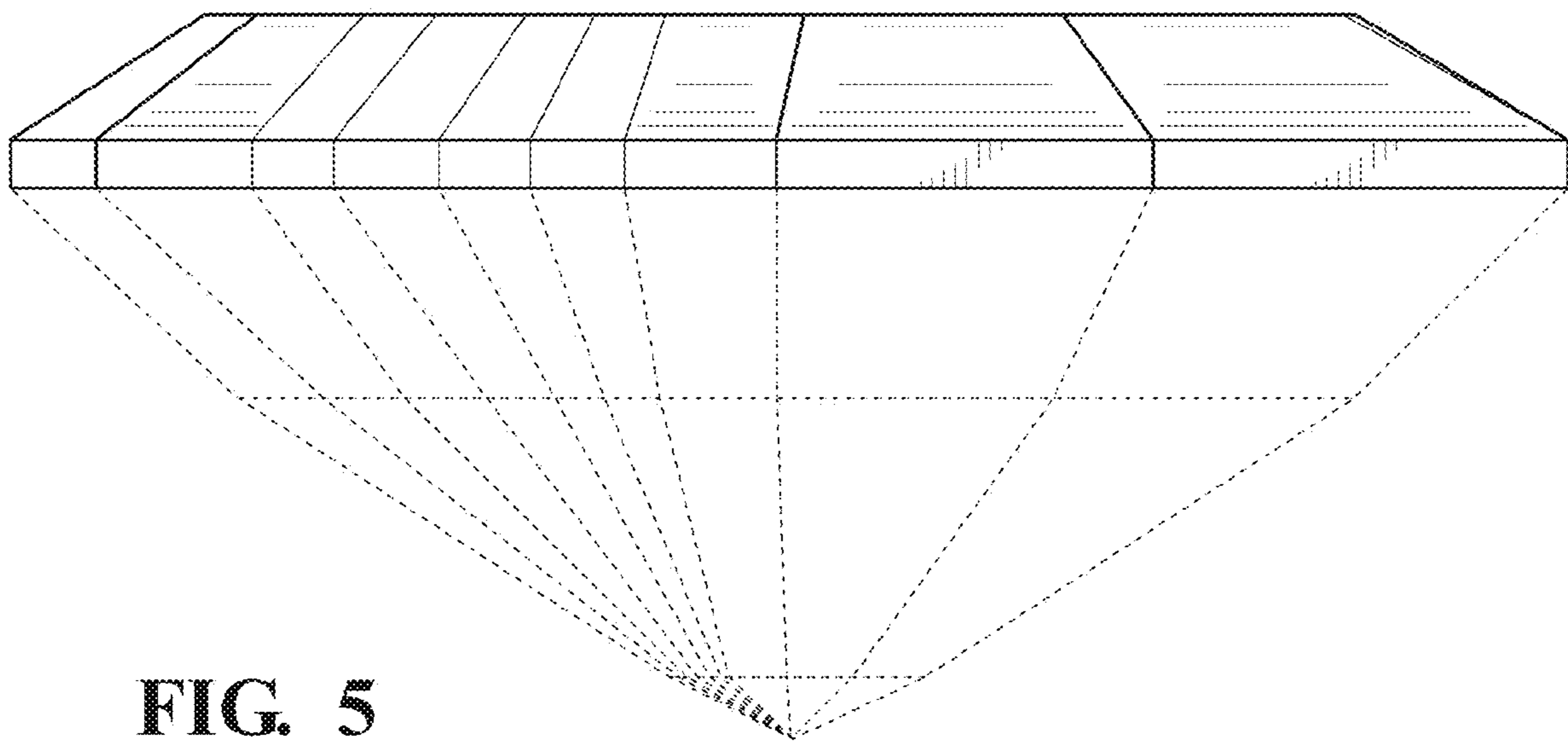


FIG. 5

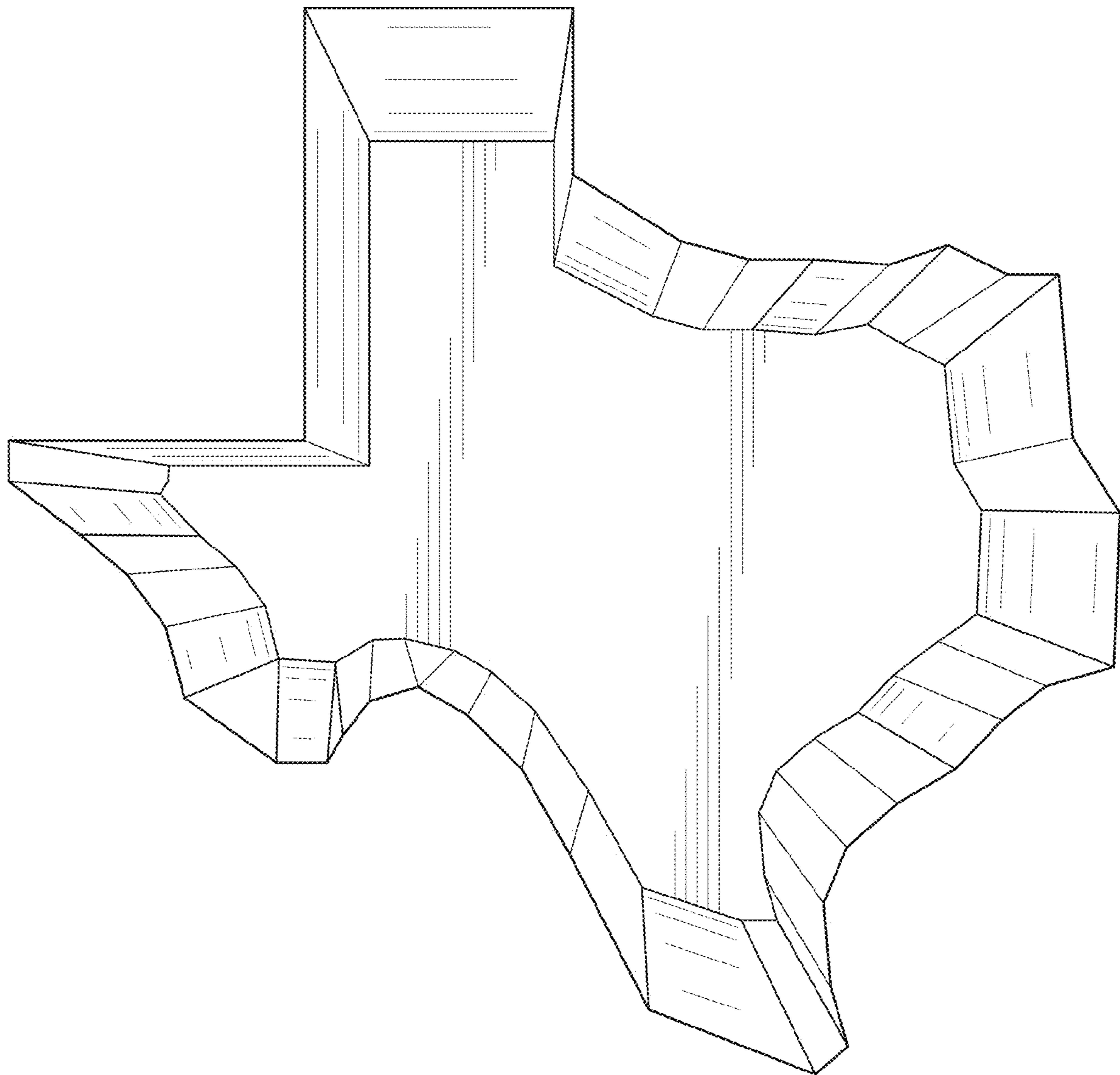


FIG. 6

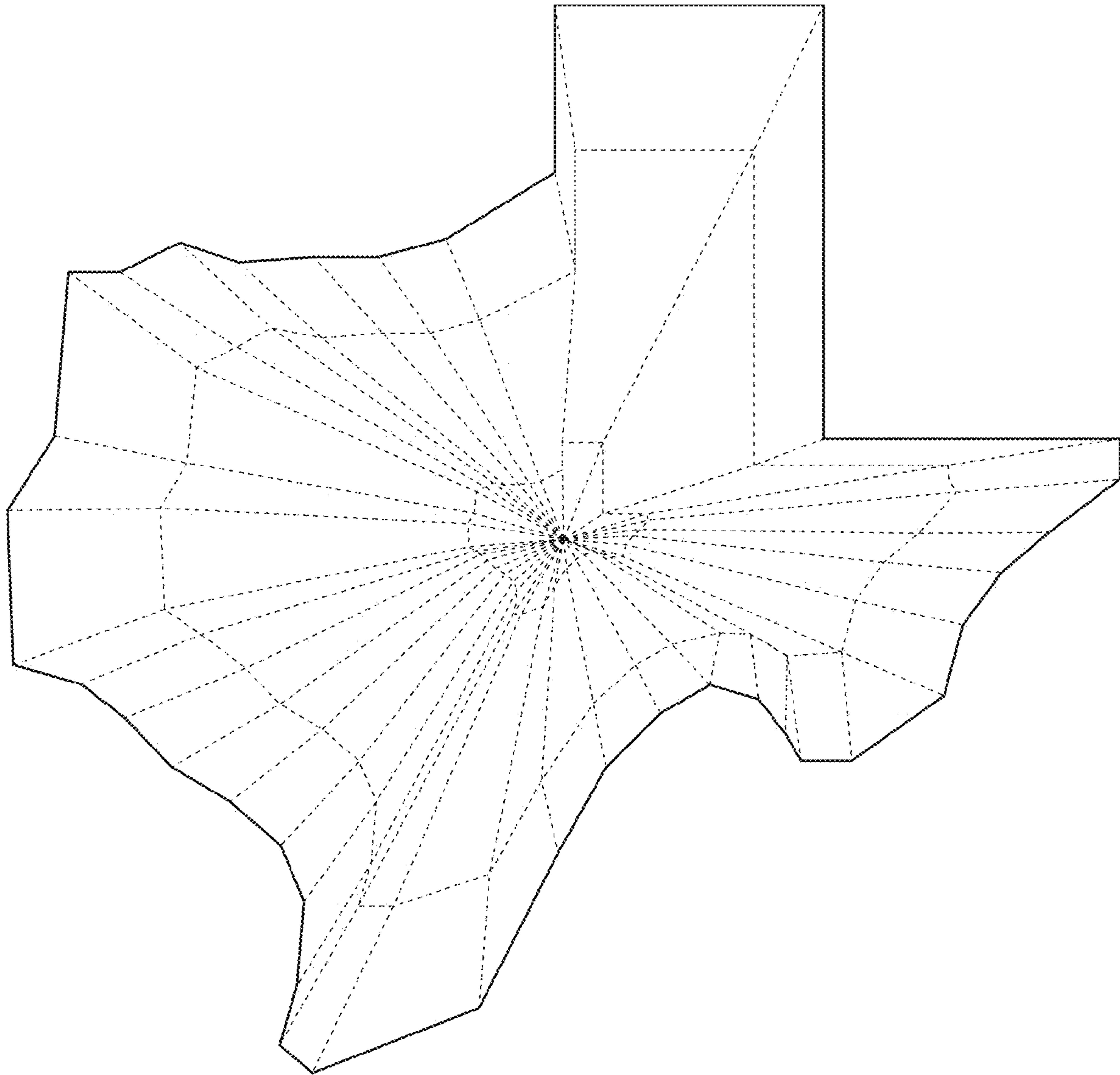


FIG. 7