



US00D983076S

(12) **United States Design Patent** (10) **Patent No.:** **US D983,076 S**
Tashjian (45) **Date of Patent:** **** *Apr. 11, 2023**

(54) **EARRING**

(71) Applicant: **Venus by Maria Tash, Inc.**, New York, NY (US)

(72) Inventor: **Maria Tashjian**, New York, NY (US)

(73) Assignee: **Venus by Maria Tash, Inc.**, New York, NY (US)

(*) Notice: This patent is subject to a terminal disclaimer.

(**) Term: **15 Years**

(21) Appl. No.: **29/725,811**

(22) Filed: **Feb. 27, 2020**

(51) **LOC (14) Cl.** **11-01**

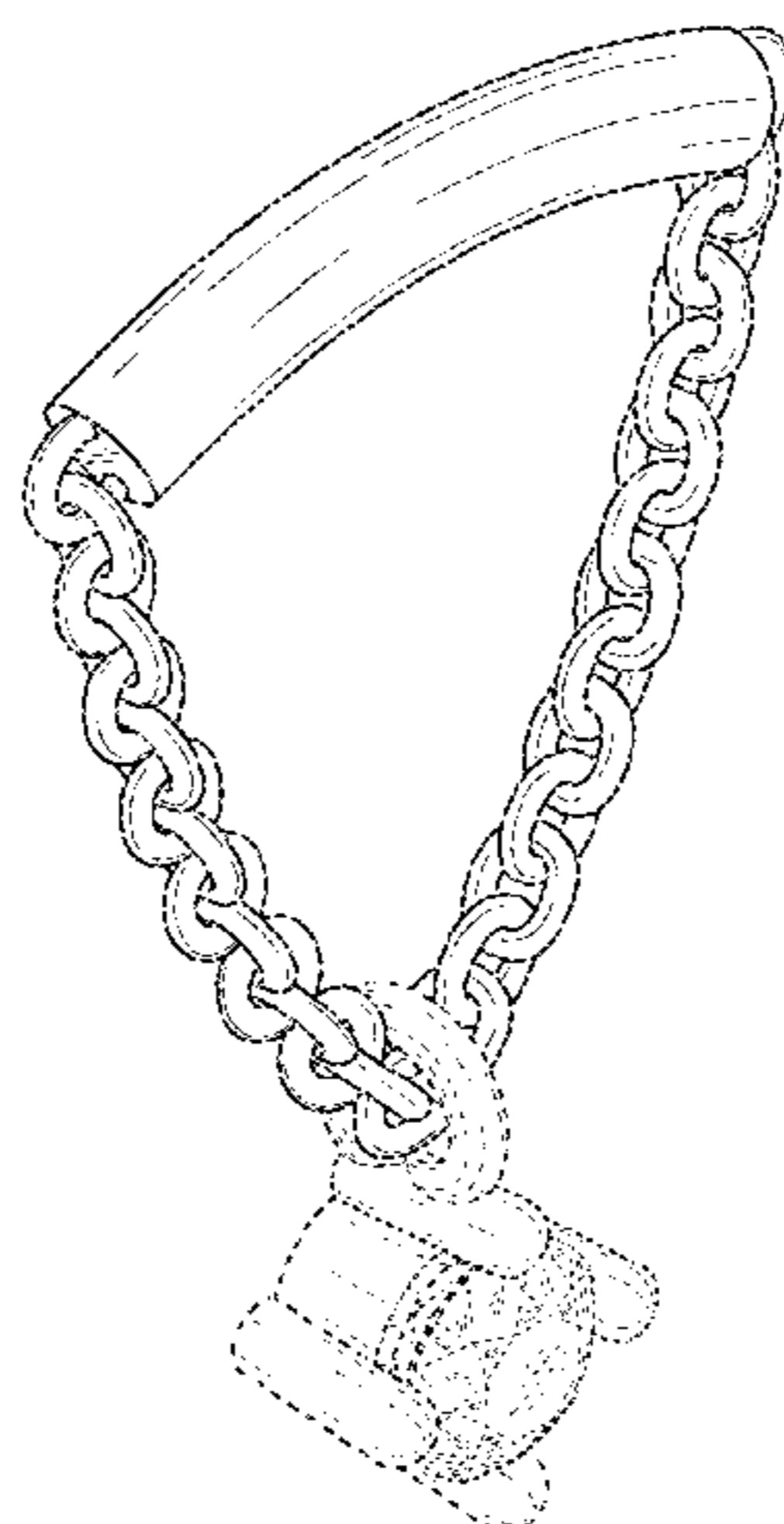
(52) **U.S. Cl.**
USPC **D11/43**

(58) **Field of Classification Search**
USPC D11/1-18, 40-45, 47, 26-39, 75-79, D11/85-86
CPC A44C 7/00-009
See application file for complete search history.

D162,461 S 12/1950 Philippe
D164,946 S 7/1951 Philippe
D169,726 S 1/1953 Bell
D170,349 S 5/1953 Bell
D170,266 S 6/1953 Katz
D171,728 S 11/1953 Philippe
D171,708 S 3/1954 Katz
D173,990 S 2/1955 Katz
D176,782 S 1/1956 Katz
D177,121 S 3/1956 Katz
D187,812 S 5/1960 Randall
D193,404 S * 8/1962 Telford D11/26
3,382,589 A 5/1968 Dowling
3,844,271 A 10/1974 Lake
D242,670 S 12/1976 Northup
D244,126 S 4/1977 Ladjimi
D244,920 S 7/1977 Kelman
D245,650 S 9/1977 Mueller et al.
D246,357 S 11/1977 Durante
D247,614 S 3/1978 Kelman
D248,380 S 7/1978 Burchett
D248,458 S 7/1978 Gatof et al.
D248,801 S 8/1978 Tafoya
D249,129 S 8/1978 Fishman
D249,130 S 8/1978 Fishman
D249,252 S 9/1978 Gatof
D249,337 S 9/1978 DiOrio
D250,456 S 12/1978 Fishman
D250,457 S 12/1978 Fishman
D250,516 S 12/1978 Fishman
D250,517 S 12/1978 Fishman
D251,715 S 5/1979 Fishman
D255,670 S 7/1980 Ambler
D255,885 S 7/1980 Andrews
D256,003 S 7/1980 Barr
D257,023 S 9/1980 Barr
D257,024 S 9/1980 Barr
D257,026 S 9/1980 Barr
D259,110 S 5/1981 Russell
D260,622 S 9/1981 Barr
D260,744 S 9/1981 Barr
D261,245 S 10/1981 Epstein
D261,246 S 10/1981 Epstein
D261,247 S 10/1981 Epstein
D261,372 S 10/1981 Fried
D262,272 S 12/1981 Block
D264,060 S 4/1982 Epstein
D265,641 S 8/1982 Bongiorno
D265,811 S 8/1982 Barr
D265,894 S 8/1982 Barr
D265,895 S 8/1982 Barr
D267,241 S 12/1982 Bulgari
D268,016 S 2/1983 Block

(56) **References Cited**
U.S. PATENT DOCUMENTS

20,480 A 6/1858 Carpenter
130,771 A 8/1872 Tryner
292,810 A 2/1884 Hartmann
D32,523 S 4/1900 Zell
D136,958 S 10/1943 Rubel
D137,112 S 10/1943 Rubel
D139,254 S 8/1944 Philippe
D150,589 S 9/1947 Katz
D150,612 S 10/1947 Katz
D151,171 S 1/1948 Philippe
D154,608 S 1/1949 Katz
D156,271 S 7/1949 Philippe
D156,312 S 8/1949 Bogoff
D159,118 S 2/1950 Weinberg
2,502,386 A 3/1950 Mailand
D161,289 S 9/1950 Semensohn
D161,286 S * 12/1950 Semensohn D11/45



US D983,076 S

D271,952 S	12/1983	Altman	D315,654 S	3/1991	Hummel
D272,327 S	1/1984	Bulgari	D317,095 S	5/1991	Albers et al.
D272,994 S	3/1984	Serapiglia	D317,422 S	6/1991	Hardy
D273,371 S	4/1984	Bulgari	D318,197 S	7/1991	Butler
D273,472 S	4/1984	Goldstein	D319,801 S	9/1991	Bulgari
D274,418 S	6/1984	Bruce	D320,573 S	10/1991	Bulgari
D274,709 S	7/1984	Bulgari	D320,798 S	10/1991	Holt
D278,987 S	5/1985	Zauderer	D320,799 S	10/1991	Holt
D279,082 S	6/1985	Bulgari	D320,951 S	10/1991	Bulgari
D279,874 S	7/1985	Moon	D321,149 S	10/1991	Royer
D279,875 S	7/1985	Moon	D321,150 S	10/1991	Bulgari
D279,876 S	7/1985	Moon	D322,890 S	1/1992	Drews
D279,877 S	7/1985	Moon	D324,350 S	3/1992	Owens, Jr.
D279,878 S	7/1985	Moon	D324,871 S	3/1992	Cordet et al.
D279,879 S	7/1985	Moon	D325,542 S	4/1992	Rubin et al.
D279,880 S	7/1985	Moon	D325,543 S	4/1992	Gueit
D279,881 S	7/1985	Moon	D326,066 S	5/1992	Sprague
D279,882 S	7/1985	Moon	D326,429 S	5/1992	Azrielant
D279,883 S	7/1985	Moon	D326,430 S	5/1992	Ortega
D279,884 S	7/1985	Moon	D326,595 S	6/1992	Badgerow et al.
D279,885 S	7/1985	Moon	D326,828 S	6/1992	Bulgari
4,538,429 A	9/1985	Bradford	D327,030 S	6/1992	Young
D281,149 S	10/1985	Krogh	D327,850 S	7/1992	Reil
D281,767 S	12/1985	Mason	D327,982 S	7/1992	Williams
D282,647 S	2/1986	Bulgari	D329,341 S	9/1992	Rhodes
D283,205 S	4/1986	Stephenson	D329,565 S	9/1992	Kane et al.
D284,952 S	8/1986	Ricks	D330,872 S	11/1992	Ball
D286,758 S	11/1986	Bulgari	5,161,391 A	11/1992	Lorberfeld
D287,230 S	12/1986	Bulgari	D331,891 S	12/1992	Foley
D287,231 S	12/1986	Copeland	D332,025 S	12/1992	Caldwell et al.
D287,577 S	1/1987	Lorberfeld	D333,279 S	2/1993	Fryklund
D290,446 S	6/1987	Bulgari	D334,003 S	3/1993	Vogelsang
4,688,400 A	8/1987	Chioffe	D334,004 S	3/1993	Mandelbaum
D292,501 S	10/1987	Jones	D334,010 S	3/1993	Mandelbaum
D292,560 S	11/1987	Di Maria et al.	D334,153 S	3/1993	Mandelbaum
D292,685 S	11/1987	Bulgari	D334,353 S	3/1993	Lorberfeld
D292,686 S	11/1987	Bulgari	D334,855 S	4/1993	Harrington et al.
D292,687 S	11/1987	Pesonen	D335,959 S	6/1993	Blake
D292,780 S	11/1987	Galask	D335,995 S	6/1993	Soles
D293,899 S	1/1988	Bulgari	D336,574 S	6/1993	Rhodes
D294,473 S	3/1988	Bulgari	D336,621 S	6/1993	Vogelsang
D294,684 S	3/1988	Saraga	D337,741 S	7/1993	Garfolo
D295,151 S	4/1988	Saraga	D337,910 S	8/1993	Paluba
D295,267 S	4/1988	Saraga	D337,963 S	8/1993	Gladorisi
D298,611 S	11/1988	Saraga	D338,117 S	8/1993	Caldwell et al.
D301,120 S	5/1989	Alviti	D339,310 S	9/1993	Azrielant
D301,314 S	5/1989	Shapiro	D342,691 S	12/1993	Milgrom
D301,561 S	6/1989	Westmoland	D342,894 S	1/1994	DiDomenico
D301,562 S	6/1989	Gaskill	D343,535 S	1/1994	Scott
D302,252 S	7/1989	Sykes	D343,749 S	2/1994	Thompson
D302,400 S	7/1989	Bulgari	D344,910 S	3/1994	Nelson
D302,401 S	7/1989	Weingast	D345,051 S	3/1994	Wills
D303,230 S	9/1989	Westmoland	D346,343 S	4/1994	Haugh
D303,999 S	10/1989	Hansson	D347,801 S	6/1994	Church
D304,433 S	11/1989	McConnell, Jr.	D348,023 S	6/1994	Horner et al.
D304,532 S	11/1989	Campbell	D348,854 S	7/1994	Salsgiver
D304,533 S	11/1989	Campbell	D348,997 S	7/1994	Menner
D305,311 S	1/1990	Roberts	D350,027 S	8/1994	Downes et al.
D305,996 S	2/1990	Bulgari	D352,190 S	11/1994	Tucker
D307,989 S	5/1990	Stewart	5,363,675 A	11/1994	Carter
D308,027 S	5/1990	Bulgari	D353,120 S	12/1994	Pandel
D308,179 S	5/1990	Perlmutter et al.	D353,501 S	12/1994	Kral
D308,180 S	5/1990	Bulgari	D354,016 S	1/1995	Schubert
D308,348 S	6/1990	Leopoldi	D354,927 S	1/1995	Andrau
D308,349 S	6/1990	Bulgari	D356,751 S	3/1995	Gross et al.
D308,650 S	6/1990	Bulgari	D358,067 S	5/1995	Graves
D308,651 S	6/1990	Bulgari	D358,210 S	5/1995	Reil
D308,652 S	6/1990	Bulgari	D359,254 S	6/1995	Gross et al.
D308,838 S	6/1990	Bulgari	D359,705 S	6/1995	Ball
D308,949 S	7/1990	Bulgari	D359,706 S	6/1995	DeAngelis
D308,950 S	7/1990	Greenhouse	D361,451 S	8/1995	Reiland
D309,879 S	8/1990	Bulgari	D362,821 S	10/1995	Marchessault
D310,926 S	10/1990	Bass et al.	D363,218 S	10/1995	Mann
D310,979 S	10/1990	Perry	D363,602 S	10/1995	Asher
D311,502 S	10/1990	Bulgari	D363,683 S	10/1995	Spurgeon et al.
D313,202 S	12/1990	Bulgari	D365,779 S	1/1996	Archambeault
D313,370 S	1/1991	Steiner	D366,729 S	1/1996	Reil
D315,211 S	3/1991	Reil	D367,384 S	2/1996	DiFranco et al.
D315,248 S	3/1991	Marshall	D368,671 S	4/1996	Ross

US D983,076 S

Page 3

D370,372 S	6/1996	Kraft	D435,476 S	12/2000	Gruosi
D370,866 S	6/1996	Lange	D436,727 S	1/2001	Hsu
D371,754 S	7/1996	Dunham	D439,190 S	3/2001	Itzkowitz
D371,982 S	7/1996	Price	D439,193 S	3/2001	Gruosi
D372,312 S	7/1996	Lange	D441,313 S	5/2001	Turner
D372,380 S	8/1996	Montalbo et al.	D450,615 S	11/2001	Ambar
D373,742 S	9/1996	Janice	D454,810 S	3/2002	Knee
D374,637 S	10/1996	Esser	D455,974 S	4/2002	Torres
D374,837 S	10/1996	Austin	D458,182 S	6/2002	Gruosi
D375,703 S	11/1996	Lowe et al.	D461,409 S	8/2002	Kardush
D376,335 S	12/1996	Shechter	D468,494 S	1/2003	Holloway
D376,476 S	12/1996	Tepen et al.	D472,497 S	4/2003	Bonnet
D376,768 S	12/1996	Ross	D474,353 S	5/2003	Gist Skinner
5,588,309 A	12/1996	Chioffe	D479,145 S	9/2003	Newman
D377,461 S	1/1997	Kloppenburg, Jr. et al.	D481,326 S	10/2003	Bonifacio
D378,360 S	3/1997	Montaquila	D481,646 S	11/2003	Bonifacio
D378,808 S	4/1997	Shechter	D484,822 S	1/2004	Crova
D379,305 S	5/1997	VanFleet	D485,203 S	1/2004	Pachachi
D379,601 S	6/1997	Itzkowitz	D485,204 S	1/2004	Sandberg
D380,978 S	7/1997	Matye	D486,091 S	2/2004	Pachachi
D381,925 S	8/1997	Bergannini	D486,416 S	2/2004	Pachachi
5,660,061 A	8/1997	Magida	D487,408 S	3/2004	Coin
D383,699 S	9/1997	Bulgari	D489,639 S	5/2004	Castle
D383,700 S	9/1997	Bulgari	D506,406 S	6/2005	Sandberg
D383,706 S	9/1997	Archambault	D507,985 S	8/2005	Sandberg
D383,998 S	9/1997	Condron	D511,310 S	11/2005	Gruosi
D385,814 S	11/1997	Kilpatrick	D513,392 S	1/2006	Arbore
D386,108 S	11/1997	Montaquila	D515,452 S	2/2006	Arbore
D386,439 S	11/1997	Itzkowitz	D516,453 S	3/2006	Kayamori et al.
D386,711 S	11/1997	Matye	D520,897 S	5/2006	Sandberg
D388,011 S	12/1997	Leonard	D531,078 S	10/2006	Chan
D388,012 S	12/1997	Matye	D533,803 S	12/2006	Corso
D388,013 S	12/1997	Rich	D535,580 S	1/2007	Arbore
D388,357 S	12/1997	Montaquila	D537,377 S	2/2007	Becker
D388,734 S	1/1998	Montaquila	D537,750 S	3/2007	Allin
D388,735 S	1/1998	Webber	D537,751 S	3/2007	Becker
D389,085 S	1/1998	Montaquila	D538,195 S	3/2007	Williams
D389,424 S	1/1998	Montaquila	D538,701 S	3/2007	Williams
D389,775 S	1/1998	Bulgari	D539,690 S	4/2007	Allin
D389,776 S	1/1998	Montaquila	D540,212 S	4/2007	Becker
D390,151 S	2/1998	Blum et al.	D541,694 S	5/2007	Ping
D390,802 S	2/1998	Bulgari	D542,170 S	5/2007	Bruno et al.
D391,516 S	3/1998	Kothari	D542,696 S	5/2007	Cilluffo
D391,756 S	3/1998	Horne	7,217,014 B2	5/2007	Nielson
D391,887 S	3/1998	Barr	D544,389 S	6/2007	Ooten
D391,888 S	3/1998	Fox	D545,716 S	7/2007	Bulgari
D392,041 S	3/1998	Reil	D549,125 S	8/2007	Malone
D392,042 S	3/1998	Reil	D549,607 S	8/2007	Mouclier
D392,206 S	3/1998	Kothari	D550,583 S	9/2007	Karachi-Langane
D393,604 S	4/1998	Webber	D554,020 S	10/2007	Bruno et al.
D393,812 S	4/1998	Silveri	D555,030 S	11/2007	Hardy
D394,021 S	5/1998	Matye	D556,620 S	12/2007	Chan
D394,769 S	6/1998	Flint	D562,718 S	2/2008	Wong
D394,821 S	6/1998	Montaquila	D567,132 S	4/2008	Bulgari
D394,823 S	6/1998	Vos	D567,133 S	4/2008	Crawford
D398,875 S	9/1998	Kothari	D567,134 S	4/2008	Bulgari
D398,876 S	9/1998	Kothari	D567,702 S	4/2008	Walters
D401,182 S	11/1998	Bulgari	D574,745 S	8/2008	Nolan
D401,486 S	11/1998	Becker	D574,746 S	8/2008	Nolan
D401,884 S	12/1998	Gruosi	D588,490 S	3/2009	Momjian
D406,544 S	3/1999	Leonard	D591,192 S	4/2009	Nolan
D407,344 S	3/1999	Dubnicka	D592,538 S	5/2009	Momjian
D408,315 S	4/1999	Lavalais	D599,694 S	9/2009	Nolan
D408,317 S	4/1999	Karmeli	D599,695 S	9/2009	Nolan
D410,589 S	6/1999	Ren	D600,586 S	9/2009	Nolan
D413,830 S	9/1999	Moten	D601,056 S	9/2009	Atallah
D415,446 S	10/1999	Kattan	D601,917 S	10/2009	Nolan et al.
D417,636 S	12/1999	Ambar	D603,289 S	11/2009	Lebail
D418,079 S	12/1999	Porcell	D605,968 S	12/2009	Colombani
D419,908 S	2/2000	Leonard	D605,970 S	12/2009	Colombani
D420,304 S	2/2000	Porcell	D606,443 S	12/2009	Traglio
D420,934 S	2/2000	Montaquila	D606,896 S	12/2009	Traglio
D423,979 S	5/2000	Montaquila	D607,363 S	1/2010	Traglio
D424,468 S	5/2000	Bergagnini	D607,364 S	1/2010	Marks
D424,695 S	5/2000	Reil	D608,239 S	1/2010	McCarty-O'Brien
D427,540 S	7/2000	Calvani	D610,033 S	2/2010	Colombani
D429,658 S	8/2000	Biagi	D610,934 S	3/2010	Papadimitriou
D430,815 S	9/2000	Montaquila	D610,935 S	3/2010	Papadimitriou
D434,877 S	12/2000	Harral	D614,073 S	4/2010	Cabarbaye

US D983,076 S

D619,030 S	7/2010	Papadimitriou	D722,907 S	2/2015	Miceli
D619,488 S	7/2010	Gruosi	D726,577 S	4/2015	Weems
D620,833 S	8/2010	Papadimitriou	D727,773 S	4/2015	Kwon
D621,279 S	8/2010	Janssen	D727,774 S	4/2015	Kwon
D621,281 S	8/2010	Janssen	D727,775 S	4/2015	Yatsugi-Kang
D621,721 S	8/2010	Walker-Spry	D727,776 S	4/2015	Weems
D623,081 S	9/2010	Papadimitriou	D727,778 S	4/2015	Levinson et al.
D624,843 S	10/2010	Colombani	D728,410 S	5/2015	Yatsugi-Kang
D626,881 S	11/2010	Meneau	D729,107 S	5/2015	Riviere
D627,252 S	11/2010	Warren	D729,108 S	5/2015	Kwon
D627,253 S	11/2010	Meneau	D731,347 S	6/2015	Zeuner
D628,113 S	11/2010	Papadimitriou	D733,574 S	7/2015	Walker-Spry
D628,114 S	11/2010	Papadimitriou	D737,717 S	9/2015	Weems
D629,325 S	12/2010	Papadimitriou	D738,774 S	9/2015	Vartanian
D630,965 S	1/2011	Papadimitriou	D738,775 S	9/2015	Vartanian
D630,967 S	1/2011	Lebail	D740,153 S	10/2015	Vartanian
D631,383 S	1/2011	Papadimitriou	D740,154 S	10/2015	Vartanian
D631,384 S	1/2011	Papadimitriou	D742,779 S	11/2015	Traglio
D631,385 S	1/2011	Lebail	D743,293 S	11/2015	Weems
D632,605 S	2/2011	Marchand	D746,719 S	1/2016	Weems
D634,214 S	3/2011	Janssen	D747,665 S	1/2016	Hooper
D635,608 S	4/2011	Gray	D747,666 S	1/2016	Yatsugi-Kang
D636,696 S	4/2011	Lebail	D748,003 S	1/2016	Vartanian
D637,103 S	5/2011	Lebail	D748,004 S	1/2016	Vartanian
D637,104 S	5/2011	Papadimitriou	D748,005 S	1/2016	Vartanian
D639,692 S	6/2011	Papadimitriou	D748,006 S	1/2016	Vartanian
D639,694 S	6/2011	Papadimitriou	D748,522 S	2/2016	Vartanian
D640,585 S	6/2011	Nolan	D748,524 S	2/2016	Vartanian
D642,086 S	7/2011	Modi	D748,525 S	2/2016	Tatsugi-Kang
7,980,095 B1	7/2011	Masterson	D749,456 S	2/2016	Gruosi
D647,421 S	10/2011	Nolan	D749,978 S	2/2016	Holubar
D648,242 S	11/2011	Hara	D749,981 S	2/2016	Vartanian
D653,151 S	1/2012	Bennett	D751,451 S	3/2016	Kwon
D655,193 S	3/2012	Janssen	D752,472 S	3/2016	Riviere
D658,090 S	4/2012	Papadimitriou	D753,012 S	4/2016	Yatsugi-Kang
D658,529 S	5/2012	Papadimitriou	D753,015 S	4/2016	Crafton et al.
D658,530 S	5/2012	Papadimitriou	D753,533 S	4/2016	Roth
D659,583 S	5/2012	Papadimitriou	D758,911 S	6/2016	Kwon
D660,743 S	5/2012	Crafton	D760,110 S	6/2016	Miller
D660,744 S	5/2012	Papadimitriou	D760,618 S	7/2016	Yatsugi-Kang
D660,745 S	5/2012	Papadimitriou	D761,658 S	7/2016	Walker-Spry
D661,219 S	6/2012	Papadimitriou	D763,720 S	8/2016	Yatsugi-Kang
D662,005 S	6/2012	Bennett	D764,342 S	8/2016	Bulgari
D664,061 S	7/2012	Papadimitriou	D764,343 S	8/2016	Bulgari
D664,062 S	7/2012	Papadimitriou	D772,099 S	11/2016	Roth
D665,297 S	8/2012	Parris	D778,200 S	2/2017	Iacomucci
D665,298 S	8/2012	Papadimitriou	D780,034 S	2/2017	Kwon
D665,693 S	8/2012	Bennett	D780,036 S	2/2017	Silvestri
D668,986 S	10/2012	Friedman	D780,037 S	2/2017	Magallanes-Leal
D669,386 S	10/2012	Papadimitriou	D780,038 S	2/2017	Riviere
D669,387 S	10/2012	Kwon	D780,039 S	2/2017	Abdourahim
D670,191 S	11/2012	Bennett	D780,040 S	2/2017	Galli
D671,439 S	11/2012	Bennett	D781,739 S	3/2017	Nickels
D672,681 S	12/2012	Bennett	D782,934 S	4/2017	Riviere
D673,070 S	12/2012	Papadimitriou	D783,442 S	4/2017	Yatsugi-Kang
D674,719 S	1/2013	Bennett	D784,846 S	4/2017	Abdourahim
D674,720 S	1/2013	Bennett	D785,491 S	5/2017	Yatsugi-Kang
D676,349 S	2/2013	Papadimitriou	D789,826 S	6/2017	Riviere
D678,101 S	3/2013	Parvex	D792,266 S	7/2017	Hardy
D680,024 S	4/2013	Le Bail	D792,803 S	7/2017	Abdourahim
D684,085 S	6/2013	Papadimitriou	D796,372 S	9/2017	Gruosi
D689,392 S	9/2013	Parvex	D797,599 S	9/2017	Yatsugi-Kang
D692,261 S	10/2013	Sharp	D800,012 S	10/2017	Oliner-Katz
D692,342 S	10/2013	Bennett	D807,774 S	1/2018	Hardy
D693,260 S	11/2013	Papadimitriou	D808,851 S	1/2018	Kwon
D693,721 S	11/2013	Papadimitriou	D809,419 S	2/2018	Hardy
D694,146 S	11/2013	Beeson	D809,960 S	2/2018	Marchand
D703,084 S	4/2014	Parvex	D809,961 S	2/2018	Magallanes-Leal
D707,151 S	6/2014	Kimbrough et al.	D809,962 S	2/2018	Le Bail
D707,152 S	6/2014	Shields	D810,612 S	2/2018	Corey et al.
D708,540 S	7/2014	Norendzayan	D811,928 S	3/2018	Stern
D708,541 S	7/2014	Norendzayan	D812,510 S	3/2018	Levy
D709,792 S	7/2014	Singer et al.	D813,080 S	3/2018	Sallard
8,763,357 B1	7/2014	Arnone	D813,708 S	3/2018	Lane
D714,673 S	10/2014	Bradley	D813,709 S	3/2018	Dholakiya
D716,685 S	11/2014	Oh	D814,291 S	4/2018	Taylor
D718,649 S	12/2014	Harel-Klein et al.	D815,556 S	4/2018	Stern
D718,650 S	12/2014	Weems	D816,538 S	5/2018	Nickels
D720,647 S	1/2015	Kwon	D818,867 S	5/2018	Heller

D820,145 S	6/2018	Galli	
D822,531 S	7/2018	Stern	
D822,532 S	7/2018	Stern	
D824,276 S	7/2018	Blootacker	
D824,277 S	7/2018	Sallard	
D826,080 S	8/2018	Gentile et al.	
D834,988 S	12/2018	Silvestri	
D836,018 S	12/2018	An	
D842,753 S	3/2019	Morin	
D846,423 S	4/2019	Buccellati	
D847,683 S	5/2019	Buccellati	
D851,532 S	6/2019	Yamada	
D852,079 S	6/2019	Sivriere	
D878,958 S	3/2020	Tashjian	
D891,973 S *	8/2020	Tashjian	D11/45
D902,773 S *	11/2020	Tashjian	D11/45
10,905,206 B1 *	2/2021	Tashjian	A44C 7/00
D931,135 S *	9/2021	Tashjian	D11/43
D945,919 S *	3/2022	Tashjian	A44C 7/00 D11/86
D954,591 S *	6/2022	Tashjian	D11/43
2008/0022720 A1	1/2008	Ciccione	
2010/0212356 A1	8/2010	Namiki	
2011/0083471 A1	4/2011	Chough	
2013/0055758 A1	3/2013	Carter et al.	
2013/0186134 A1	7/2013	Goldstein	
2014/0150496 A1	6/2014	Briggs-Jenkins	
2017/0079388 A1	3/2017	Kita	
2018/0343990 A1	12/2018	Repossi	
2019/0174884 A1	6/2019	Todorova	

FOREIGN PATENT DOCUMENTS

FR	2886110	12/2006
IN	332394-001-0001	* 7/2021
IN	332396-001-0001	* 7/2021
IN	332398-001-0001	* 7/2021
IN	332393-001-0001	* 8/2021

OTHER PUBLICATIONS

2mm Prong Set Diamond Drape Threaded Stud Earring, available 2021, online, site visited Oct. 28, 2021. Available online, URL: <https://www.mariatash.com/jewelry/2mm-prong-set-diamond-drape-threaded-stud-earring.html> (Year: 2021).*

14K Chain Bar Stud Drop Earrings, available 2021, online, site visited Oct. 28, 2021. Available online, URL: <https://zoechicco.com/collections/earrings/products/14k-chain-bar-studs> (Year: 2021).*

Diamond Drape Earring, available Sep. 21, 2020, online, site visited Oct. 28, 2021. Available online, URL: <https://www.instagram.com/p/CFaZli1HL4m/> (Year: 2020).*

14k Gold Bar Drape Chain Stud Earrings, available 2019, online, site visited Oct. 28, 2021. Available online, URL: <https://www.kohls.com/product/prd-3488663/14k-gold-bar-drape-chain-stud-earrings.jsp> (Year: 2019).*

Valyria 7pcs Silver Toned Stainless Steel Curved Noodle Tube, available Jun. 14, 2016, online, site visited Jul. 29, 2022. Available online, URL: <https://www.amazon.com/VALYRIA-Silver-Stainless-Curved-Jewelry/dp/B01H1QY3N0/> (Year: 2016).*

10 pairs of tiny stud and hoop earrings that look really expensive, Get the Gloss, <https://www.getthegloss.com/article/the-best-tiny-stud-and-hoop-earrings-to-buy-on-a-budget> downloaded from Internet Nov. 2020 (1 page).

Amethyst Triple Marquise Stud Earrings, Curated Los Angeles, <https://www.curated-losangeles.com/products/amethyst-triple-marquise-stud-earrings> downloaded From Internet Nov. 2020 (1 page).

Blue Buddha Boutique, Cre8time Movement: Jewelry Project in 8 steps of Less—Coiled Earrings, <http://www.bluebuddhaboutique.com/blog/2013/04/cre8time-movement-jewelry-project-in-8-steps-or-less-coiled-earrings/>, Apr. 6, 2013 (6 pages).

BVLA Rose Gold Mini Kandy, Mercari, https://www.mercari.com/us/item/m42882037488/?ref=brand_detail downloaded from Internet Nov. 2020 (1 page).

Casasconil.info Chandelier, Glass Crystal Chandelier Drops, Jul. 28, 2018 (54 pages).

Crafty Blog Stalker, How to Make Crystal Drop Earrings, <https://thecraftyblogstalker.com/diy-rhinestone-drop-earrings/>, last updated Jun. 17, 2019 (12 pages).

Crystal Dangle Hoop Earrings 925 Sterling Silver Dainty Dangling Charms Cubic Zirconia Small Huggie Round Hoops 10mm Delicate Jewelry for Women Girls Birthday Gifts: Clothing, Amazon.com, <https://www.amazon.com/Earrings-Sterling-Dangling-Zirconia-Delicate/dp/B0895FQ86X> downloaded from Internet Nov. 2020 (1 page).

CZ Marquise DANGLE screw flat back cartilage stud, helix earring, Etsy, https://www.etsy.com/listing/777314953/cz-marquise-s-dangle-screw-flat-back?ga_order=most_relevant&ga_search_type=all&ga_view_type=gallery&ga_search_query=triple+marguise+stud&ref=sr_gallery-1-8&pro=1 downloaded from Internet Nov. 2020 (1 page).

Dangling Gemstone Earring 925 Solid Sterling Silver Rose Gold, Etsy, https://www.etsy.com/listing/851972585/dangling-gemstone-earring-925-Solid?ga_order=most_relevant&ga_search_type=all&ga_view_type=gallery&ga_search_query=MARIA+TASH&ref=sr_gallery-1-1&organic_search_click=1&frs=1&col=1 downloaded from Internet Nov. 2020 (1 page).

Djula, Gold and Diamond Multi tassel hoop piercing, <https://www.djula.fr/en/piercings/567-muiti-tassel-hoop-piercing.html> downloaded from Internet Nov. 2020 (1 page).

Free People, 6.5mm Gold Tassel Eternity Single Earring <https://www.freepeople.com/shop/65mm-gold-tassel-eternityingle-earring> Retrieved Aug. 31, 2019.

Fringe Hoop Earrings for Sale at Auction on Tue, Feb. 22, 2011—07:00—Pair of White Gold, Blue Topaz, Pink Tourmaline and Diamond Earrings, Fine Jewelry and Contents of Abandoned Safe Deposit Boxes from Bank of America, Doyle Auction House, <https://doyle.com/auctions/11j101-fine-jewelry-and-contents-of-abandoned-safe-deposit-boxes-from-b-ank-of-america-148> downloaded from Internet Nov. 2020 (1 page).

Luxury Exaggeration Big Round Pearl Hoop Earrings For Women Boho Geometric Large Statement Hanging Earrings 2019 Fashion Jewelry Hoop Earrings—AliExpress, https://www.aliexpress.com/item/33011429560.html?spm=a2g0o.productlist.0.0.8bf2647ds4vMa6&algo_pvid=9ea83007-0e57-451b-9bca-bcdedcd69ed7&algo_expid=9ea83007-0e57-451b-9bca-bcdedcd698d7-30&btsid=0bb0622f16033748731547472ee84d&ws_ab_test=searchweb0_0.searchweb201602_.searchweb201603 downloaded from Internet Nov. 2020 (1 page).

Maria Tash 14g 8mm Single Chain Septum Spinner, <https://www.mariatash.com/14g-8mm-single-chain-septum-spinner.html#>; downloaded from Internet Aug. 31, 2020 (1 page).

Maria Tash 16mm Diamond In-Set Lotus Coronet Hoops Pair, <https://www.mariatash.com/16mm-diamond-inet-lotcoronet-hoops-pair.html?metal=White%20Gold>. Retrieved Sep. 9, 2019.

Maria Tash 3mm Diamond Engraved Lotus Threaded Stud, <https://www.mariatash.com/jewelry/helix-jewelry/3mm-diamond-engraved-lotus-threaded-stud.html#> downloaded from internet Nov. 2020 (1 page).

Maria Tash 6.5mm Diamond Eternity Ring and Two Cuffs, <https://www.mariatash.com/jewelry/earlobe/diamond-1-4-triple-eternity-ringnd-two-cuffs-earlobe.htm?metals=White%20Gold>. Retrieved Sep. 9, 2019.

Maria Tash 6.5mm Diamond Tassel Eternity Ring, <https://www.mariatash.com/jewelry/earlobe/1-4-diamond-tassel-eternity-ring.html?metal=White%20Gold>. Retrieved Aug. 31, 2019.

Maria Tash Black Rainbow Sapphire 14k Yellow Gold, eBay, <https://www.ebay.com/itm/14k-Yellow-Gold-Maria-Black-Rainbow-Sapphire-Nwt-358-Vry-Maria-Tash-TLL/293780593993?hash=item4466b01d49:g:JP4AAOSWZRNfLe~Z> downloaded from Internet Nov. 2020 (1 page).

Maria Tash Brand, Amato Fine Jewelry, <https://www.amatopiercing.com/brand/maria-tash/> downloaded from Internet Nov. 2020 (1 page).

Maria Tash Brand, ShopoTam, Ebay, <http://shopotam.ru/brand/maria-tash/> downloaded from Internet Nov. 2020 (1 page).

Maria Tash Coronet Earrings, Cheaponline, <https://ar.cheaponline2020.net/category?name=coronet%20earrings> downloaded from Internet Nov. 2020 (1 page).

- Maria Tash Diamond and Chain Orbit Joining Earring White Gold 2mm, PicClick UK, <https://picclick.co.uk/Maria-Tash-White-Gold-2mm-Diamond-and-Chain-174458974872.html> Downloaded from Internet Nov. 2020 (1 page).
- Maria Tash Diamond Butterfly, RisingBastards, <https://risingbastards.com/2020/10/20/diamond-butterfly-maria-tash/> downloaded from Internet Nov. 2020 (1 page).
- Maria Tash Diamond Delia and Marquise Dangle Chain Orbital, <https://www.mariatash.com/jewelry/earlobe/diamond-delia-marquisend-rounds-chainnd-dangles-orbital.html?metal=Rose%20Gold>. Retrieved Aug. 17, 2019.
- Maria Tash Diamond Eternity Ring and Cuff, <https://modesens.com/product/maria-tash-diamond-eternity-rinnd-cuff-18kt-rose-goldingle-earring-pink-5724852/> Retrieved Sep. 9, 2019.
- Maria Tash Diamond Princess Ring 2mm White Gold, https://rootip.rosendalehistorical.org/index.php?main_page=product_info&products_id=11835 downloaded from Internet Nov. 2020 (1 page).
- Maria Tash Diamond Spike Eternity Earring 18K Yellow Gold 8mm Diameter, PicClick, <https://picclick.com/Maria-Tash-Diamond-Spike-Eternity-Earring-18K-Yellow-333743759231.html> downloaded from Internet Nov. 2020 (1 page).
- Maria Tash Double Row Gem Clicker Ring 14ct White Gold, Isha Body, <https://ishabodyjewellery.co.uk/products/14ct-white-gold-elegant-clicker-ring?variant=29157947572317> downloaded from Internet Nov. 2020 (1 page).
- Maria Tash Earrings, <https://mariatash.com/jewelry/earlobe.html> downloaded from Internet Jun. 30, 2019 (35 pages).
- Maria Tash EUC Silver Tone Mirrored Compact, Poshmark, <https://poshmark.com/listing/EUC-Maria-Tash-Silver-Tone-Mirrored-Compact-5f4fef19e1316439c30fdd81> downloaded from Internet Nov. 2020 (1 page).
- Maria Tash Gold Clicker Eternity Earring Yellow Gold and Pearl Hoop, The Luxury Closet, <https://theluxurycloset.com/us-en/women/maria-tash-gold-clicker-eternity-yellow-gold-and-pearl-single-hoop-earring-p288862> downloaded from Internet Nov. 2020 (1 page).
- Maria Tash Gold Jewelry, Bodyartforms, <https://bodyartforms.com/products.asp?brand=venus+by+maria=tash> downloaded from Internet Nov. 2020 (1 page).
- Maria Tash Inspired Gold Earring With Chain Ring, <https://www.sekaimon.com/s/maria%20tash/-/all> downloaded from Internet Nov. 2020 (1 page).
- Maria Tash Invisible Diamond Lotus Close Garland Ear Climber, <https://www.mariatash.com/jewelry/invisible-diamond-lotus-garland-ear-climber.html>, Retrieved Jul. 5, 2020 (2 pages).
- Maria Tash Jewelry, Stylight, <https://www.stylight.com/Maria-Tash/Jewelry/> downloaded from Internet Nov. 2020 (1 page).
- Maria Tash Navel Ring Belly Button Ring, Poshmark, <https://poshmark.com/listing/Maria-Tash-navel-ring-belly-button-ring-5c7ac13c8ad2f9c803c2d159> downloaded from Internet Nov. 2020 (1 page).
- Maria Tash Products, Pirate Piercing, <https://shop.piratepiercing.be/> downloaded from Internet Nov. 2020 (1 page).
- Maria Tash Septum Chains, Poshmark, <https://poshmark.com/listing/Maria-Tash-Septum-Chains-599706fef739bc9b4401c73c> downloaded from Internet Nov. 2020 (1 page).
- Maria Tash Verkooppunt Vederland, Piercing Boutique, <https://www.piercingboutique.nl/pages/maria-tash-verkooppunt> downloaded from Internet Nov. 2020 (1 page).
- Marquise Baguette Dangling Chains Wrap Stud Earrings, Etsy, https://www.etsy.com/listing/853121609/cartilage-stud-earrings-cartilage-chain?ga_order=most_relevant&ga_search_type=all&ga_view_type=gallery&ga_search_query=marquise%2Bbearings&ga_bref=sc_gallery-2-19&ga_bplkey=76c432b01b045f75add569a8af782f33fe250c00%3A853121609&ga_bpro=1&ga_bcol=1 downloaded from Internet Nov. 2020 (1 page).
- Marquise Chain Stud Earrings Retro 18k Gold Plated Sterling Silver CZ—Alibaba.com, https://www.alibaba.com/product-detail/18K-gold-plated-sterling-silver-CZ_1690101995122.html?spm=a2700.galleryofferlist.normal_offer.d_image.798a14a2tpXmMR downloaded from Internet Nov. 2020 (1 page).
- Marquise CZ Flower Shaped Stud Earrings With Dangling Chain—Alibaba.com, https://www.alibaba.com/product-detail/Marquise-CZ-Flower-Shaped-Stud-Earrings_1700001431499.html?spm=a2700.galleryofferlist.normal_offer.d_image.798a14a2tpXmMR downloaded from Internet Nov. 2020 (1 page).
- Marquise CZ Flower Stud Earrings, S925 Sterling Silver Post 14K Gold Plated Minimalist Dainty Flower Shaped Stud Earrings With Dangling Charm Marquise Studs Earrings Cartilage Earring: Jewelry, Amazon.com, https://www.amazon.com/Marquise-Earrings-Sterling-Minimalist-Cartilage/dp/B08BCQ8PMG/ref=sr_1_18?dchild=1&keywords=marquise%2Bstud%2Bbearings&qid=1603376238&sr=8-18&th=1 downloaded from Internet Nov. 2020 (1 page).
- Marquise Dangle Stud Gold Earring, Adina's Jewels <https://adinasjewels.com/products/marquise-dangle-stud-earring> downloaded from Internet Nov. 2020 (1 page).
- Marquise Diamond Simple In Style Earrings Jewelry S925 Sterling Silver—Alibaba.com, https://www.alibaba.com/product-detail/S925-sterling-silver-marquise-diamond-simple_160011822.1984.html?spm=a2700.galleryofferlist.normal_offer.d_title.798a14a2tpXmMR downloaded from Internet Nov. 2020 (1 page).
- Marquise Shape Diamond Stud Earring, SGL Certified 0.64 Ct Diamond Flower Earring, Body Jewellery, Petal Cartilage Earring, Helix Piercing, 18K Yellow Gold Flat Screw on Back 7mm: Jewelry, Amazon.com, https://www.amazon.com/Marquise-Certified-Jewellery-Cartilage-Piercing/dp/B08JX7S7V2/ref=sr_1_96?dchild=1&keywords=marquise+stud+earrings&qid=1603376238&sr=8-96 downloaded from Internet Nov. 2020 (1 page).
- Marquise turquoise studs, 925 earrings, gold stud earrings, Etsy, https://www.etsy.com/listing/832205081/925-earrings-marquise-turquoise-studs?ga_order=most_relevant&ga_search_type=all&ga_view_type=gallery&ga_search_query=marquise+studs&ref=sr_gallery-2-3&pro=1 downloaded from Internet Nov. 2020 (1 page).
- Minimalist Marquise CZ Flower Shaped Stud Earrings With Dangling Charm, Etsy, https://www.etsy.com/listing/740432826/minimalist-marquise-cz-flower-studs?ga_order=most_relevant&ga_search_type=all&ga_view_type=gallery&ga_search_query=marquise+studs&ref=sc_gallery-2-20&plkey=5824c downloaded from Internet Nov. 2020 (1 page).
- Minimalist Marquise CZ Flower studs Dainty earrings Cz gold, Etsy, https://www.etsy.com/listing/740432826/minimalist-marquise-cz-flower-studs?ga_order=most_relevant&ga_search_type=all&ga_view_type=gallery&ga_search_query=marquise+studs&ref=sc_gallery-2-20&plkey=5824c downloaded from Internet Nov. 2020 (1 page).
- Minimalist Marquise Tiny Cz Cubic Zirconia Stud Earrings Jewelry—Buy 925 Minimalist Marquise Cz Stud Earrings, 925 Silver Small Tiny Earrings Jewelry, Earrings For Women Product, Alibaba.com, https://www.alibaba.com/product-detail/2020-NEW-925-Sterling-Silver-minimalist_1600125651312.html?spm=a2700.galleryofferlistnormal_offer.d_image.798a14a2tpXmMR downloaded from Internet Nov. 2020 (1 page).
- Moet, Mercury Mist Threadless End, Buddha Jewelry Organics, <https://www.buddhajewelryorganics.com> downloaded from Internet Nov. 2020 (1 page).
- Rhinestone Fringe Hoop Earrings 1 pair, Shein USA, <https://us.shein.com/Rhinestone-Fringe-Hoop-Earrings-1pair-p-621973-cat-1757.html> downloaded from Internet Nov. 2020 (1 page).
- Rustic Diamond Marquise Three Leaf Earrings, TWISTonline, <https://www.twistonline.com/collections/dangles/products/rustic-diamond-marquise-three-leaf-earrings> downloaded from Internet Nov. 2020 (1 page).
- Sequito Elegant Costume Jewelry Pave Purple CZ with Light Green Water Drop Tassel Drop Hoop Earrings for Women Boho Round Earring SE-190, Lazada PH, <https://www.lazada.com.ph/products/sequito-elegant-costume-jewelry-pave-purple-cz-diaomd-with-light-green-water-drop-tassel-drop-hoop-earrings-for-women-boho-round-earring-se-190-1925580578.html> downloaded from Internet Nov. 2020 (1 page).
- Single Half Pair 18k Gold Genuine Diamond Lotus Flower, Etsy, https://www.etsy.com/listing/838784442/new-single-half-pair-18k-gold-genuine?ga_order=most_relevant&ga_search_type=all&ga_view_type=gallery&ga_search_query=MARIA+TASH&ref=sr_gallery-2-14&organic_search_click=1&pro=1&frs=1 downloaded from Internet Nov. 2020 (1 page).

Sparkly Marquise Dangle Cubic Zircon Chain Stud Gold Plated Earrings Jewelry 925 Sterling Silver—Alibaba.com, https://www.alibaba.com/product-detail/Gold-Plated-Earrings-Jewelry-925-Sterling_62451516048_.html?spm=a2700.galleryofferlist.normal_offer_d_title.798a14a2tpXmMR downloaded from Internet Nov. 2020 (1 page).

Sparkly Marquise Dangle Stud Earrings, J&CO Jewellery, <https://www.jcojewellery.com/collections/nature/products/sparkly-marquise-dangle-stud-earrings> downloaded from Internet Nov. 2020 (1 page).

Triple Marquise CZ Leaf Helix earring Conch Earring, Etsy, https://www.etsy.com/listing/750423781/triple-marquise-cz-leaf-helix-earring?ga_order=most_relevant&ga_search_type=all&ga_view_type=gallery&ga_search_query=triple+marquise+stud&ref=sr_gallery-1-5&col= downloaded from Internet Nov. 2020 (1 page).

Umba Sapphire Baby Teardrop Fringe Hoops(18k), TalismanUnlimited.com, <https://www.talismanunlimited.com/products/umba-sapphire-baby-teardrop-fringe-hoops> downloaded from Internet Nov. 2020 (1 page).

Yeslady Tassel Hoop Earrings, Small CZ Rhinestone Dangle Earrings at Amazon.in, <https://www.amazon.in/YESLADY-Tassel-Earrings-Rhinestone-Dangle/dp/B07QZQ14RF> downloaded From Internet Nov. 2020 (1 page).

International Search Report and Written Opinion dated Mar. 31, 2021 for International Application PCT/US20/64189 filed Dec. 10, 2020 (11 pages).

* cited by examiner

Primary Examiner — Tracey J Bell

Assistant Examiner — Sarah J Ault

(74) *Attorney, Agent, or Firm* — Dentons US LLP

(57) **CLAIM**

The ornamental design for an earring, as shown and described.

DESCRIPTION

FIG. 1 is a perspective view of a first embodiment of an earring;

FIG. 2 is a front view thereof;

FIG. 3 is a rear view thereof;

FIG. 4 is a right view thereof;

FIG. 5 is a left view thereof;

FIG. 6 is a top view thereof; and

FIG. 7 is a bottom view thereof.

FIG. 8 is a perspective view of a second embodiment of the earring;

FIG. 9 is a front view thereof;

FIG. 10 is a rear view thereof;

FIG. 11 is a right view thereof;

FIG. 12 is a left view thereof;

FIG. 13 is a top view thereof; and

FIG. 14 is a bottom view thereof.

FIG. 15 is a perspective view of a third embodiment of the earring;

FIG. 16 is a front view thereof;

FIG. 17 is a rear view thereof;

FIG. 18 is a right view thereof;

FIG. 19 is a left view thereof;

FIG. 20 is a top view thereof; and

FIG. 21 is a bottom view thereof.

FIG. 22 is a perspective view of a fourth embodiment of the earring;

FIG. 23 is a front view thereof;

FIG. 24 is a rear view thereof;

FIG. 25 is a right view thereof;

FIG. 26 is a left view thereof;

FIG. 27 is a top view thereof; and

FIG. 28 is a bottom view thereof.

FIG. 29 is a perspective view of a fifth embodiment of the earring;

FIG. 30 is a front view thereof;

FIG. 31 is a rear view thereof;

FIG. 32 is a right view thereof;

FIG. 33 is a left view thereof;

FIG. 34 is a top view thereof; and,

FIG. 35 is a bottom view thereof.

Broken lines shown in drawings illustrate portions of the earring that form no part of claimed design.

1 Claim, 35 Drawing Sheets

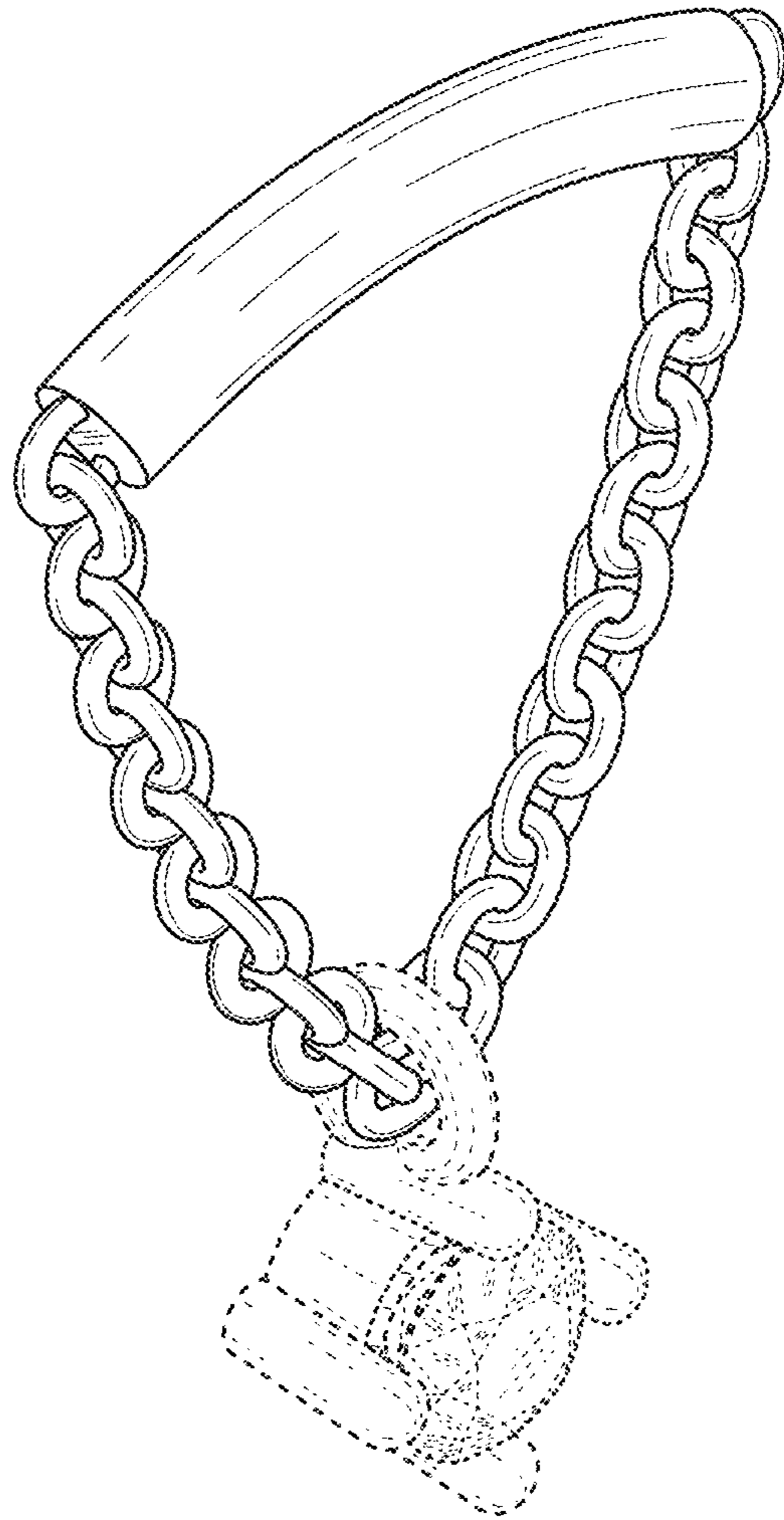


FIG. 1

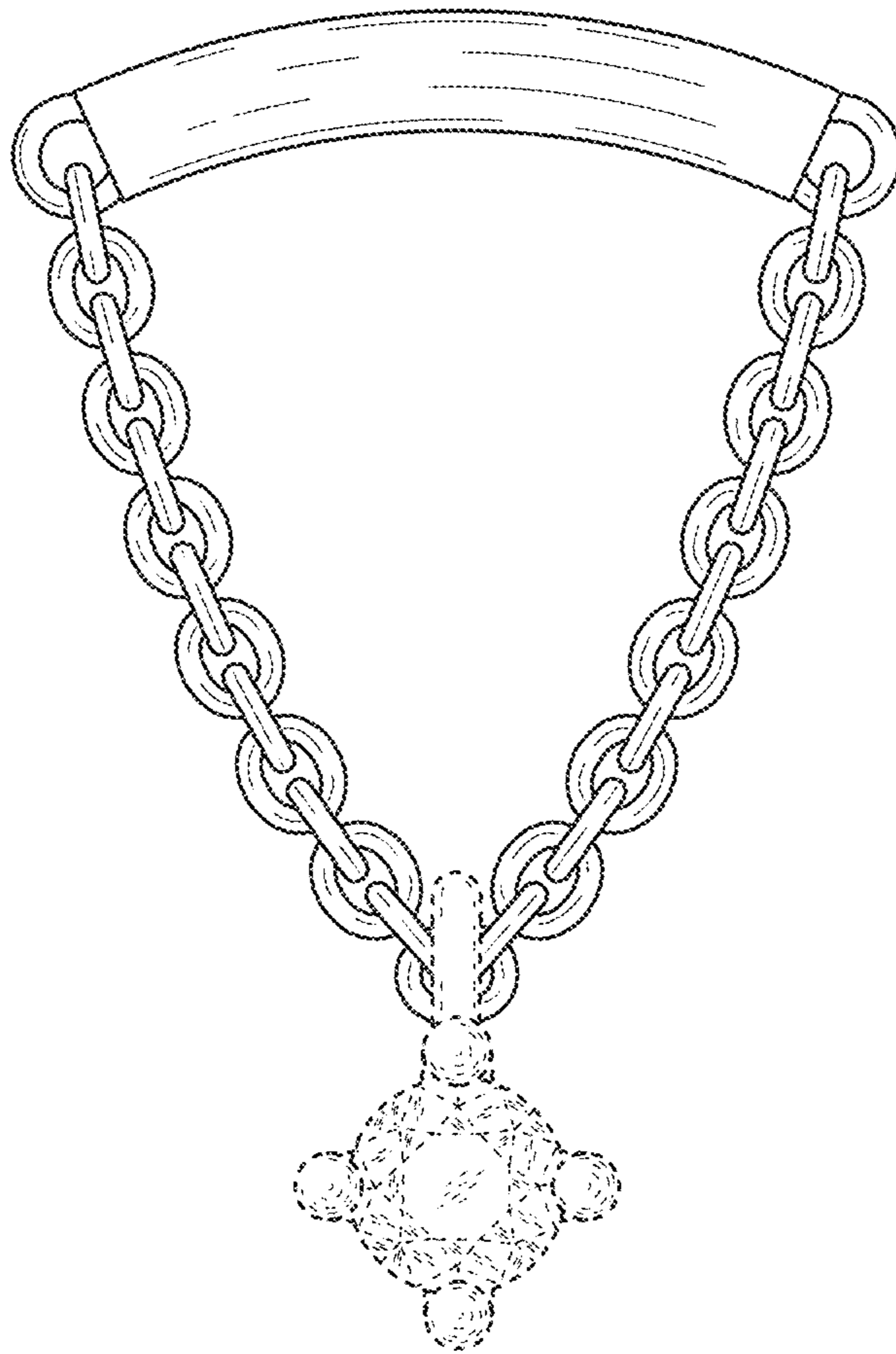


FIG. 2

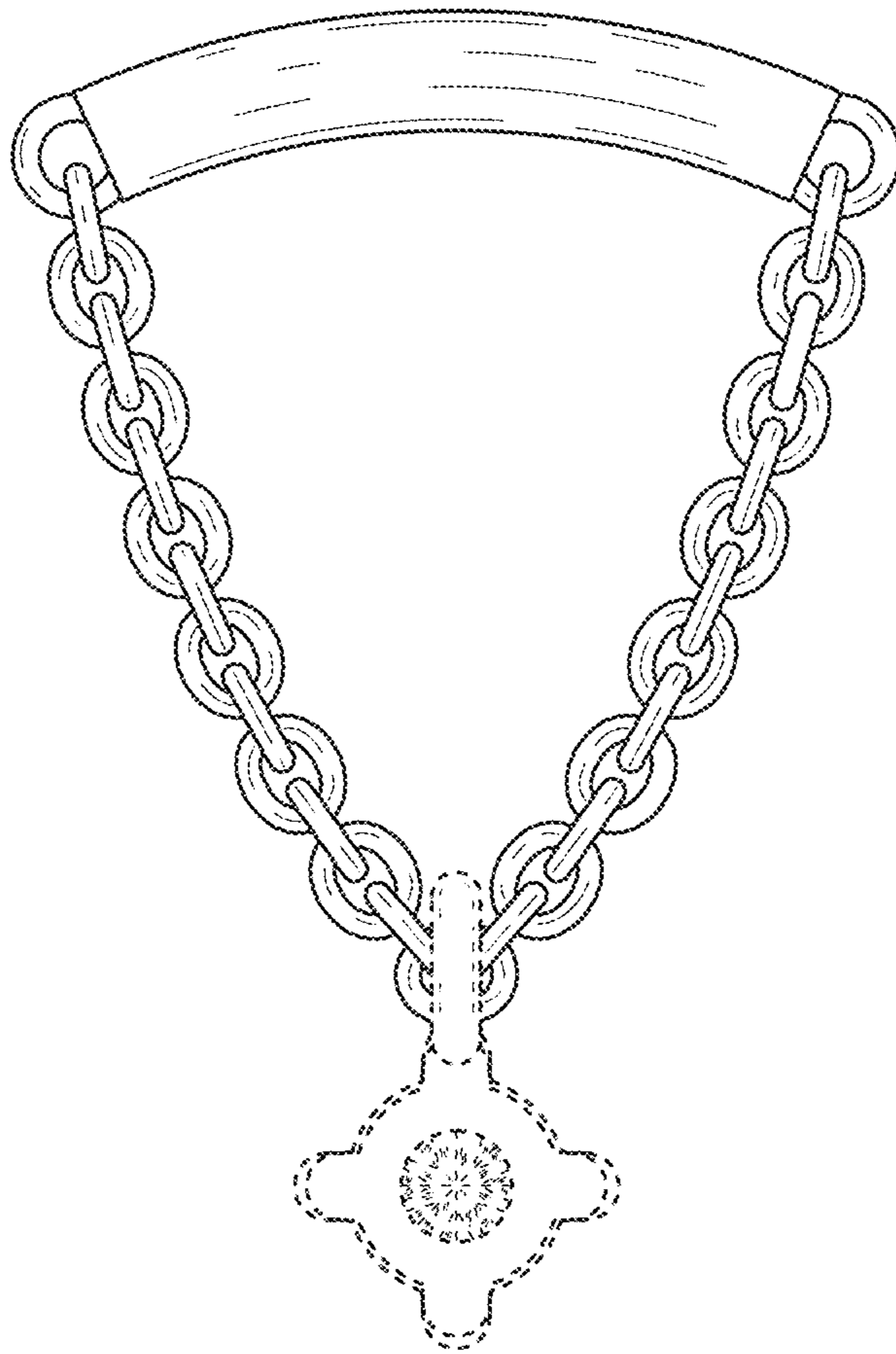


FIG. 3

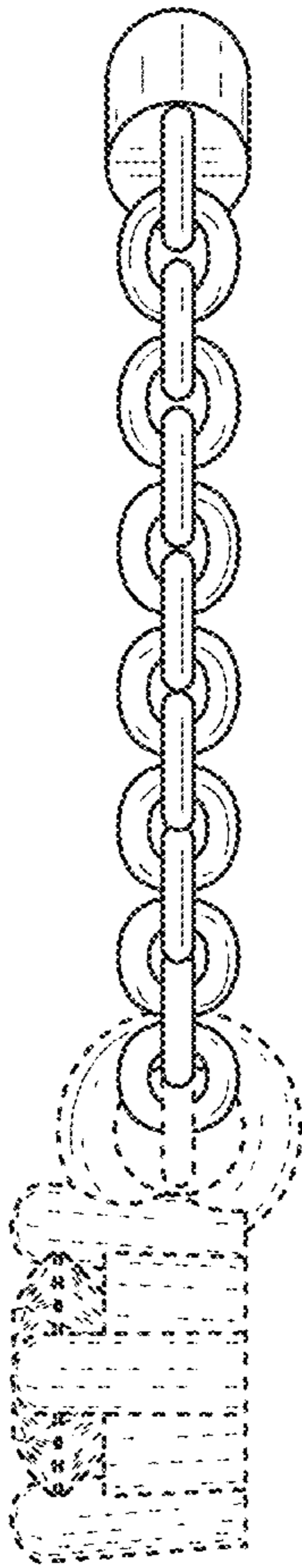


FIG. 4

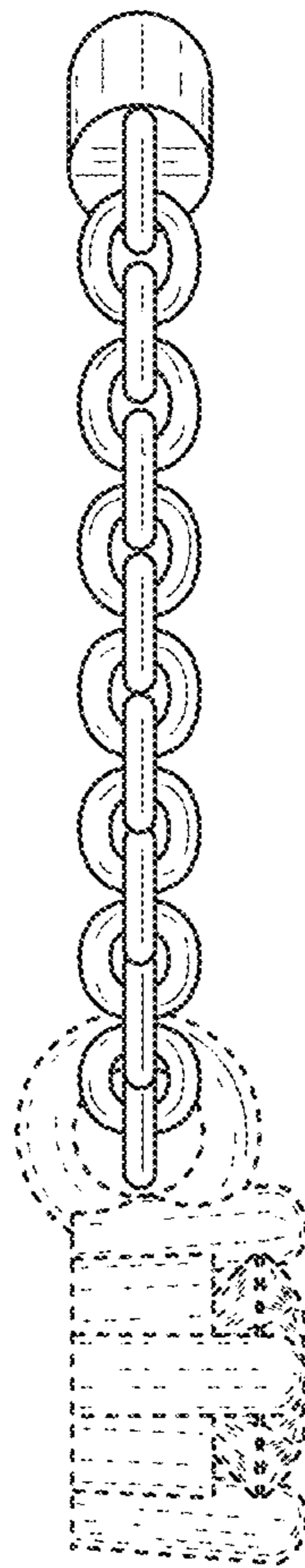


FIG. 5

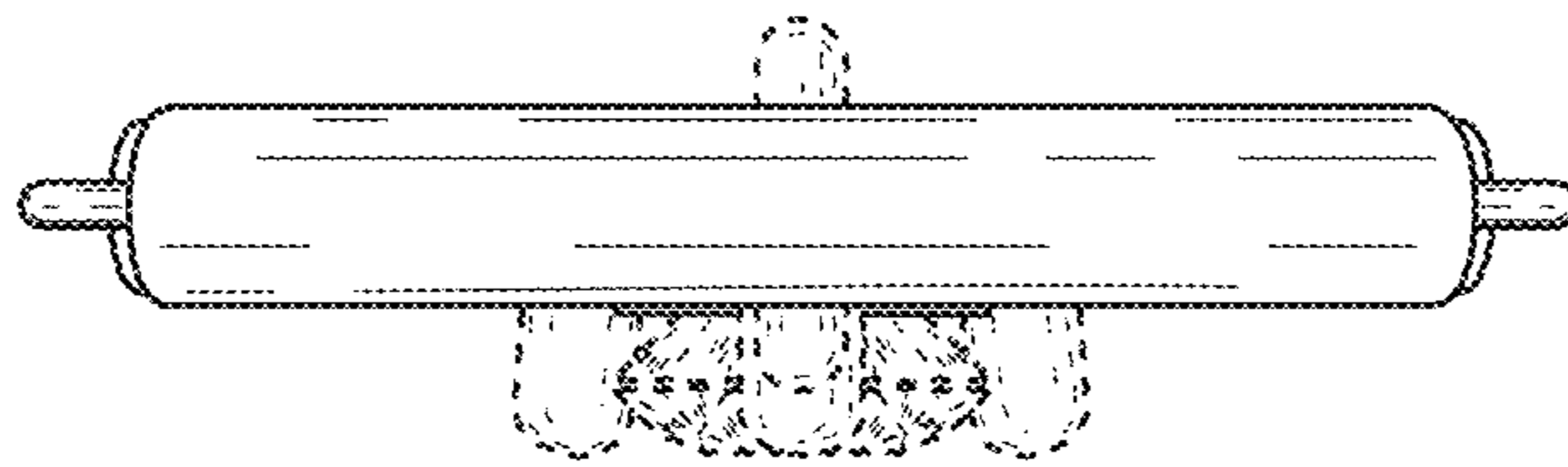


FIG. 6

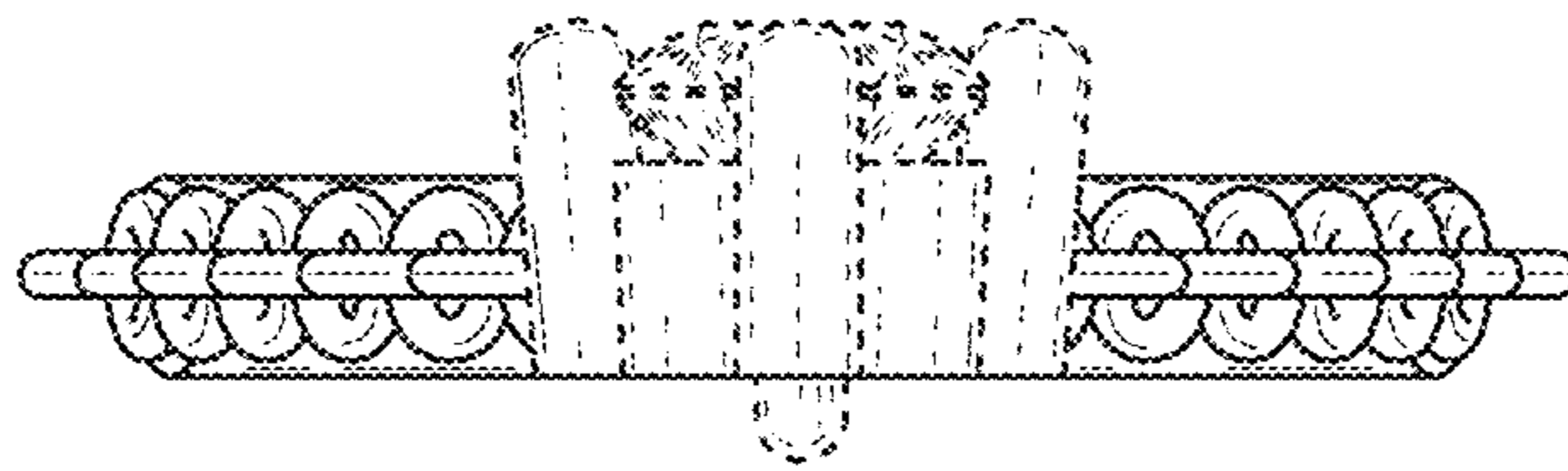


FIG. 7

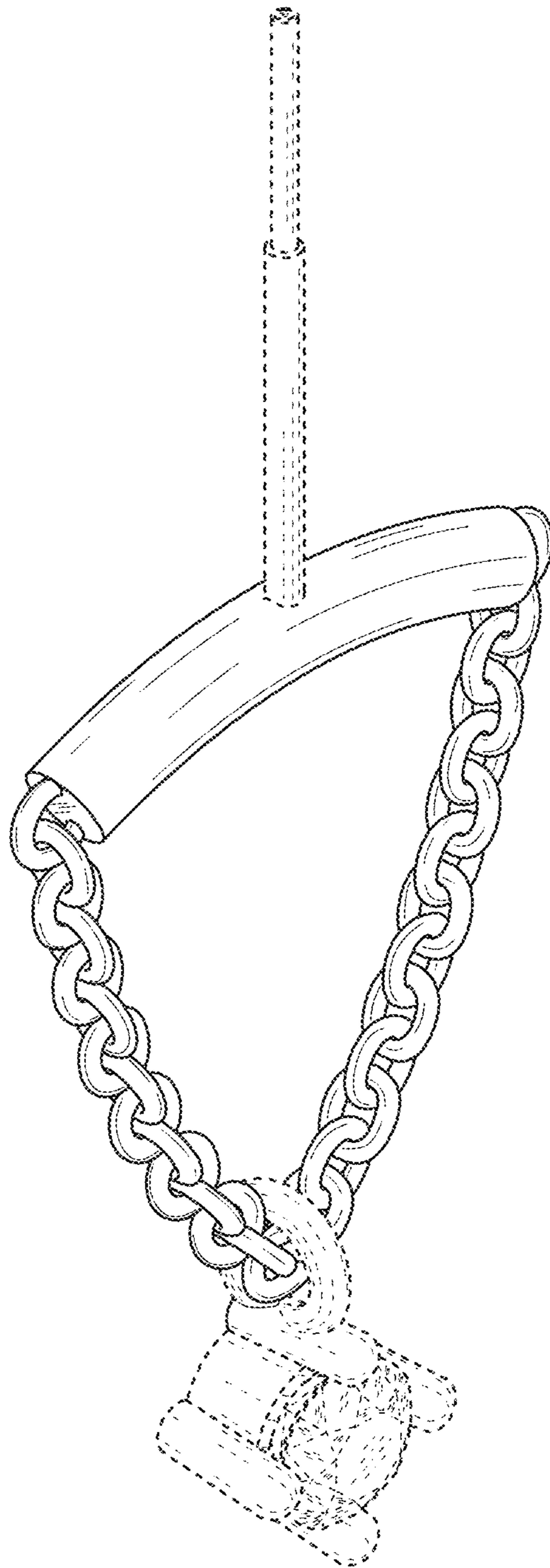


FIG. 8

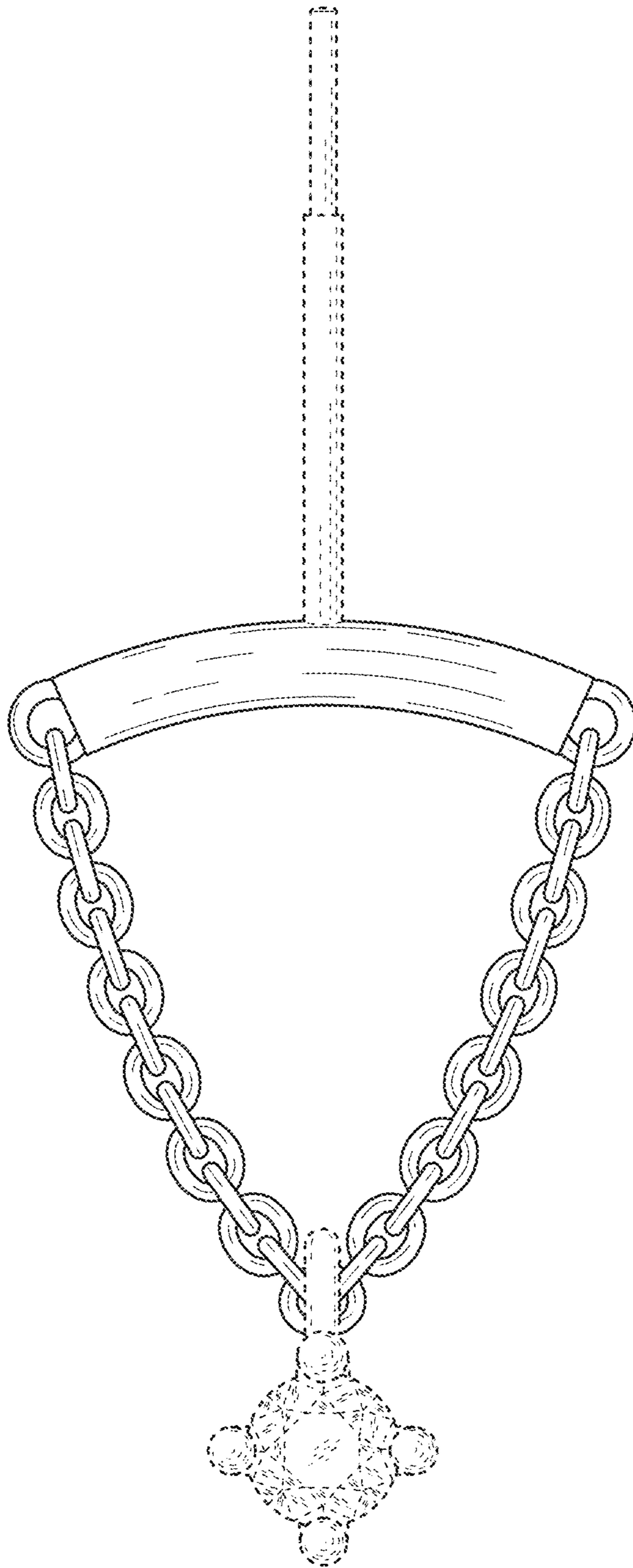


FIG. 9

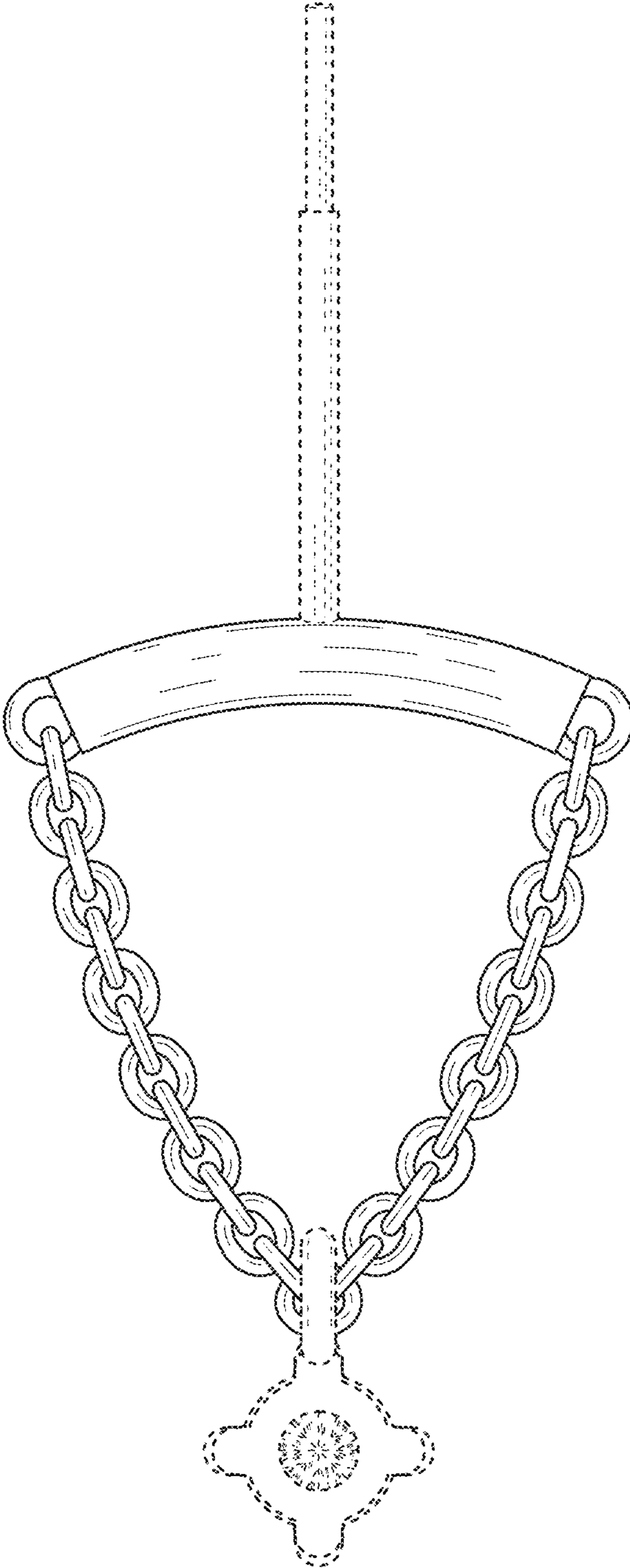


FIG. 10

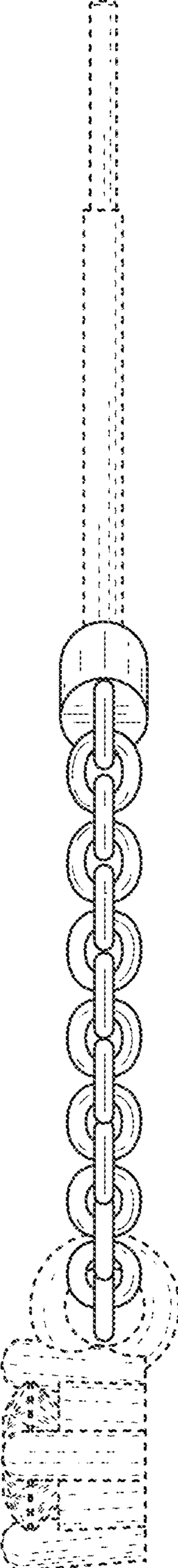


FIG. 11

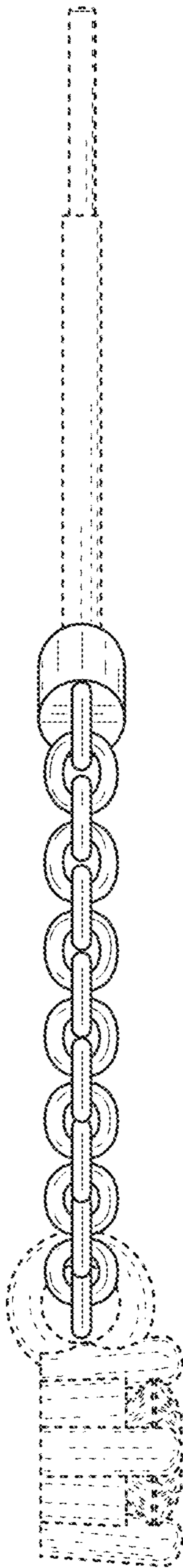


FIG. 12

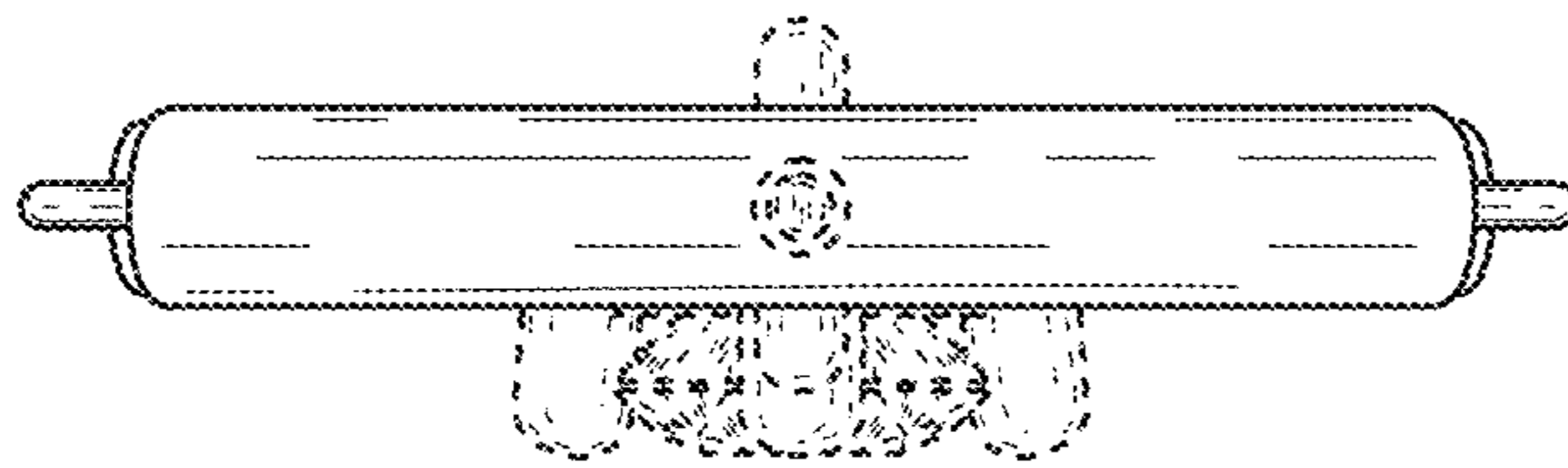


FIG. 13

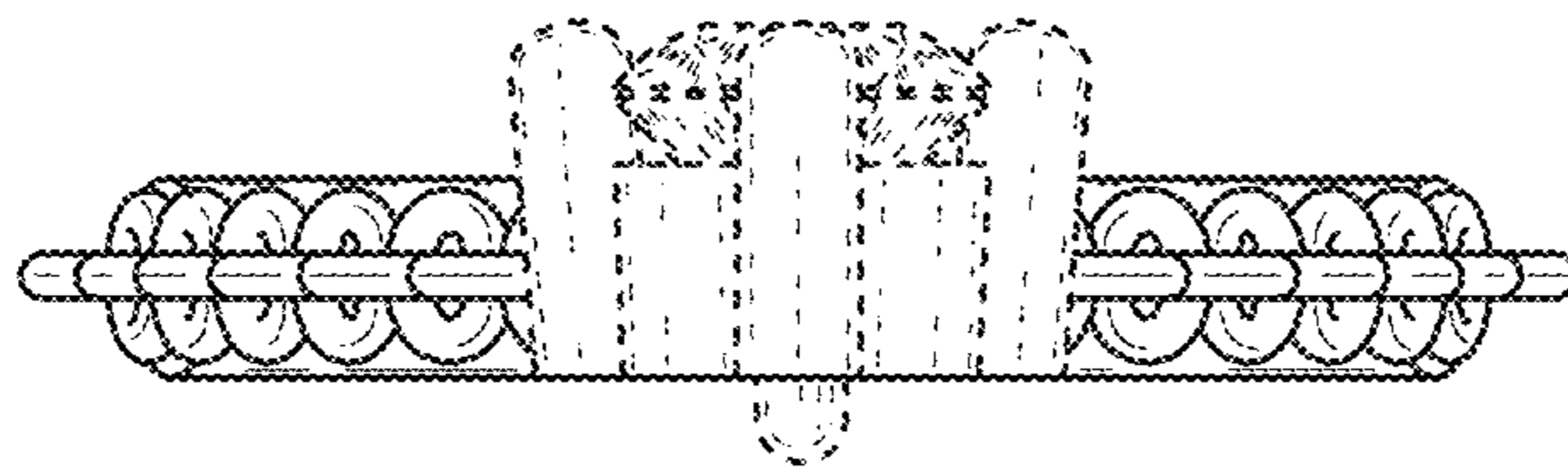


FIG. 14

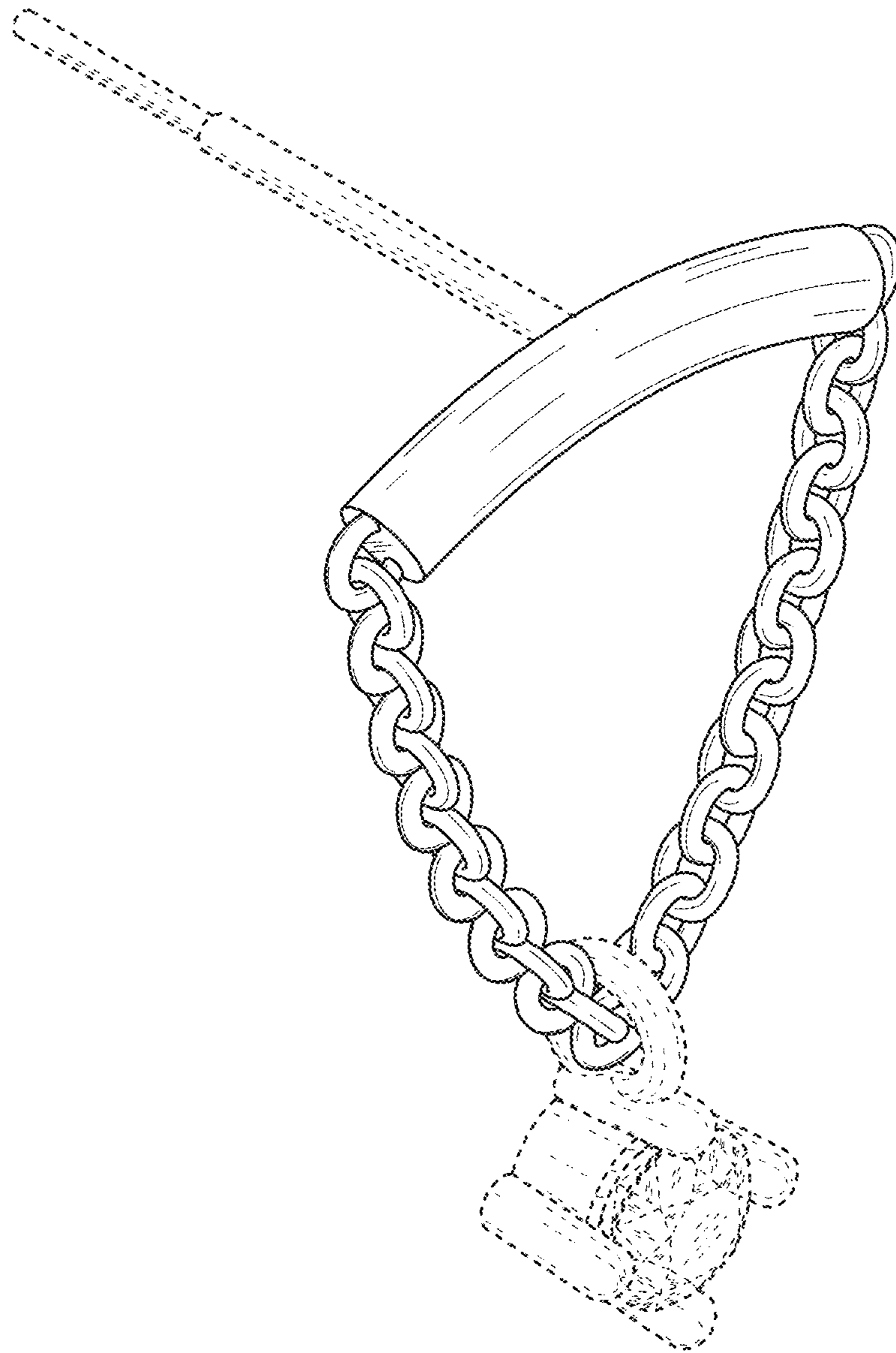


FIG. 15

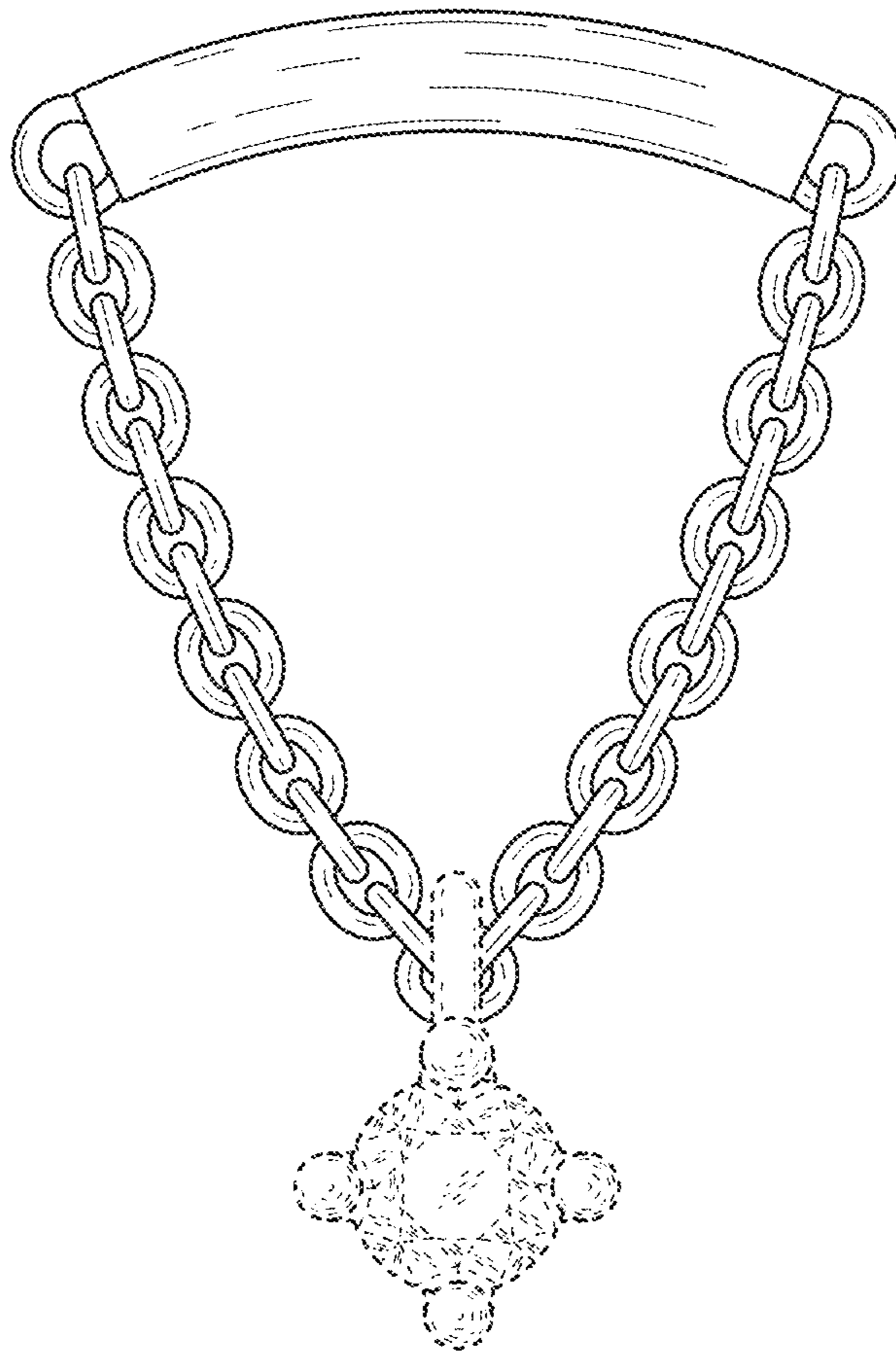


FIG. 16

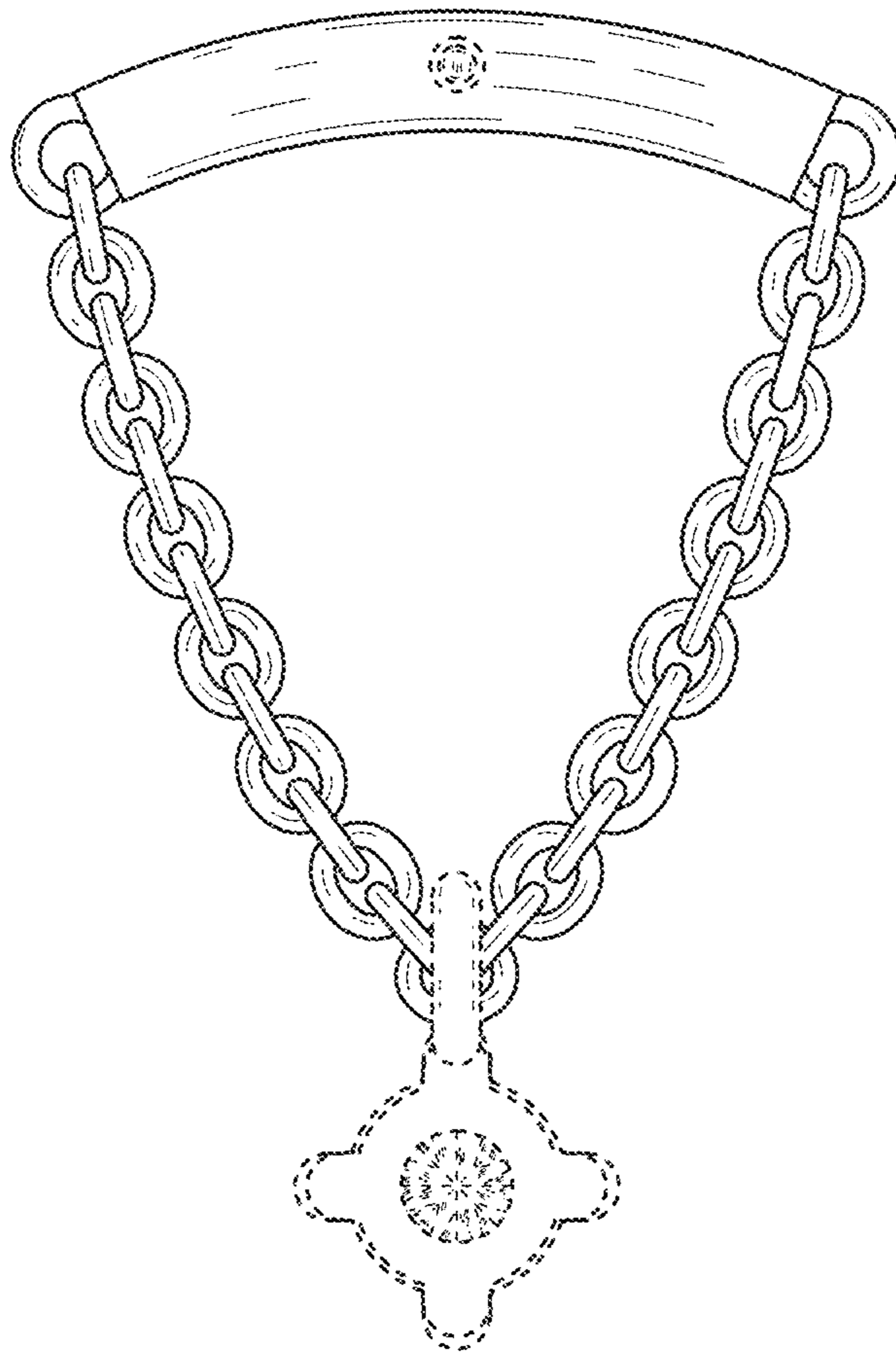


FIG. 17

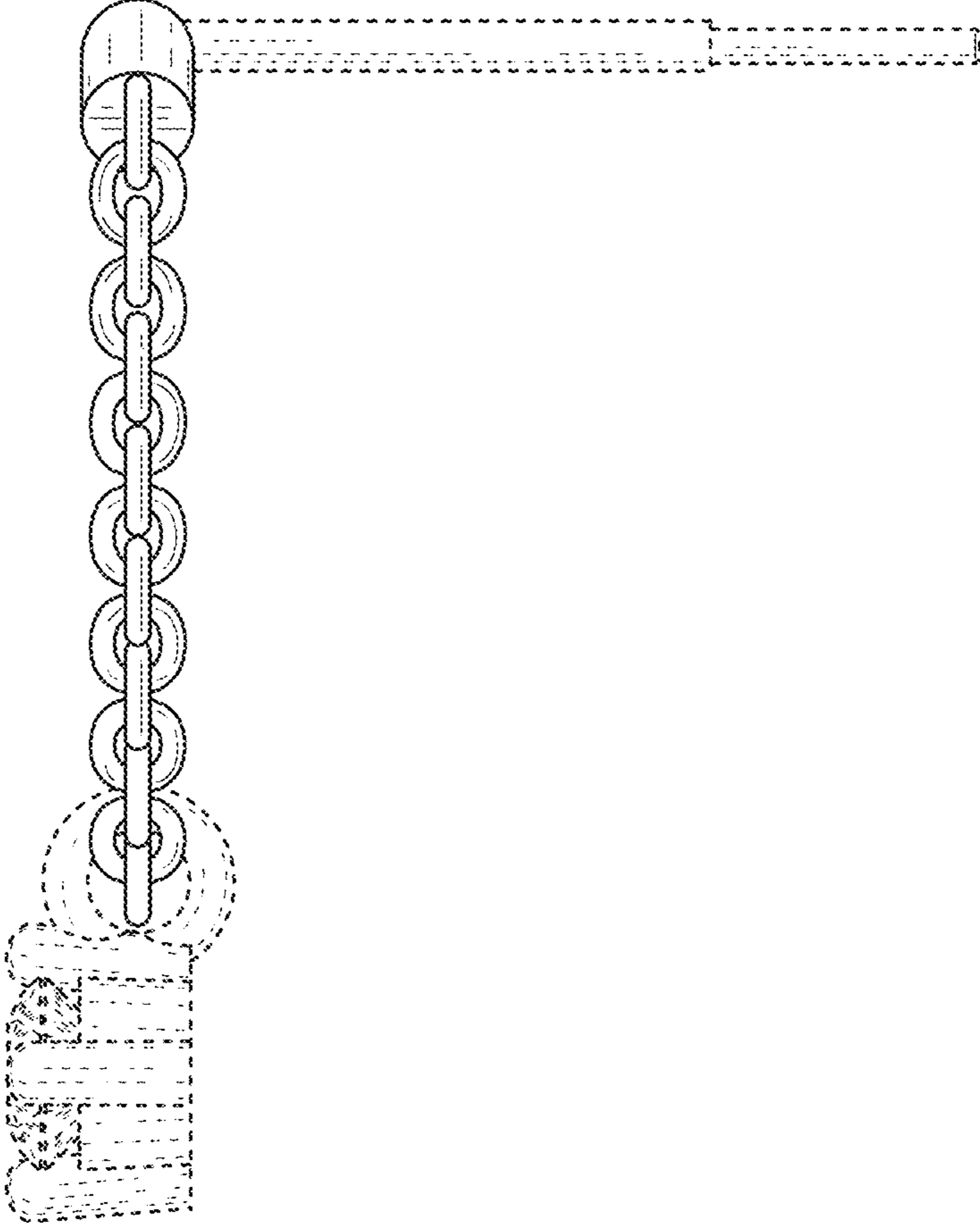


FIG. 18

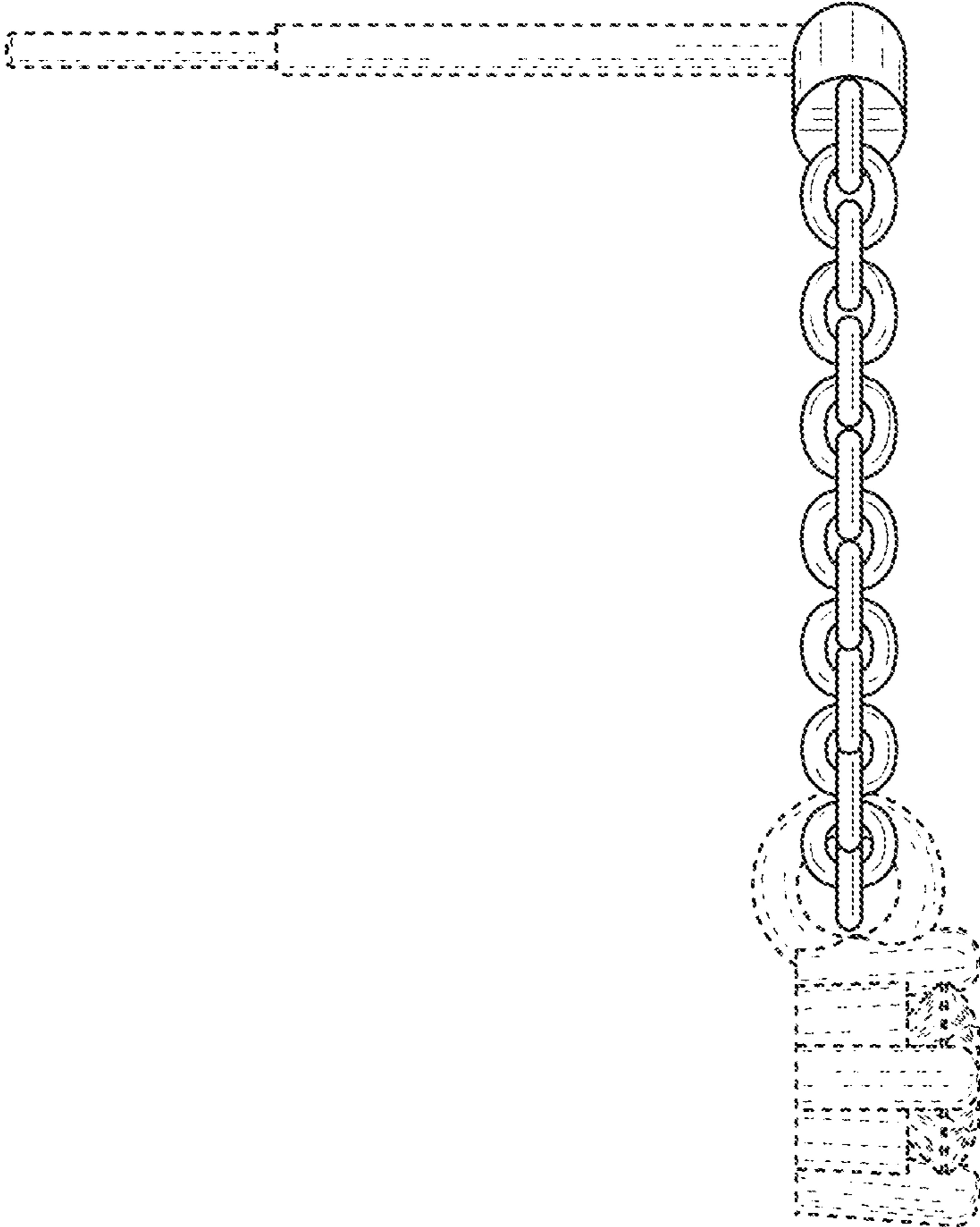


FIG. 19

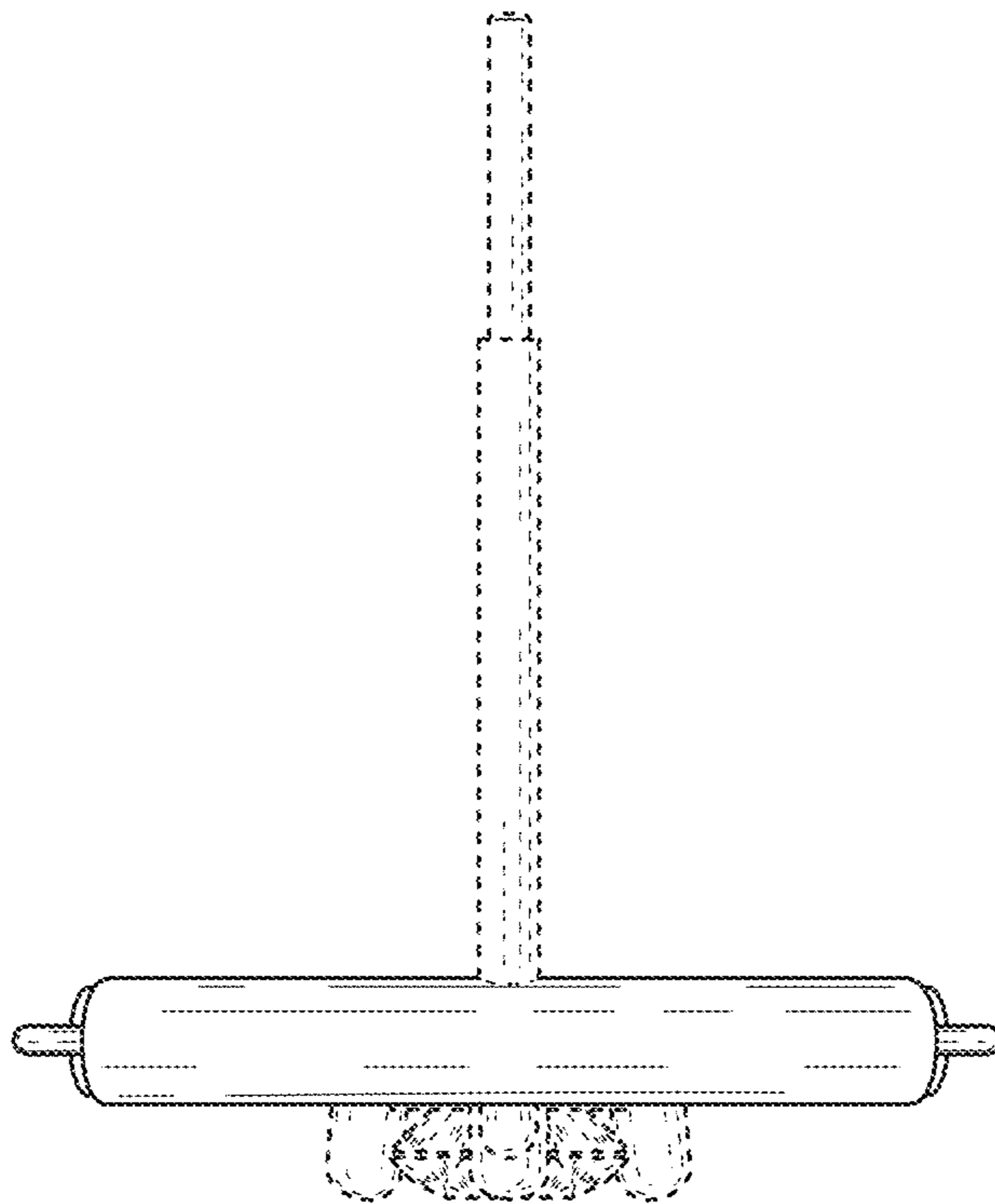


FIG. 20

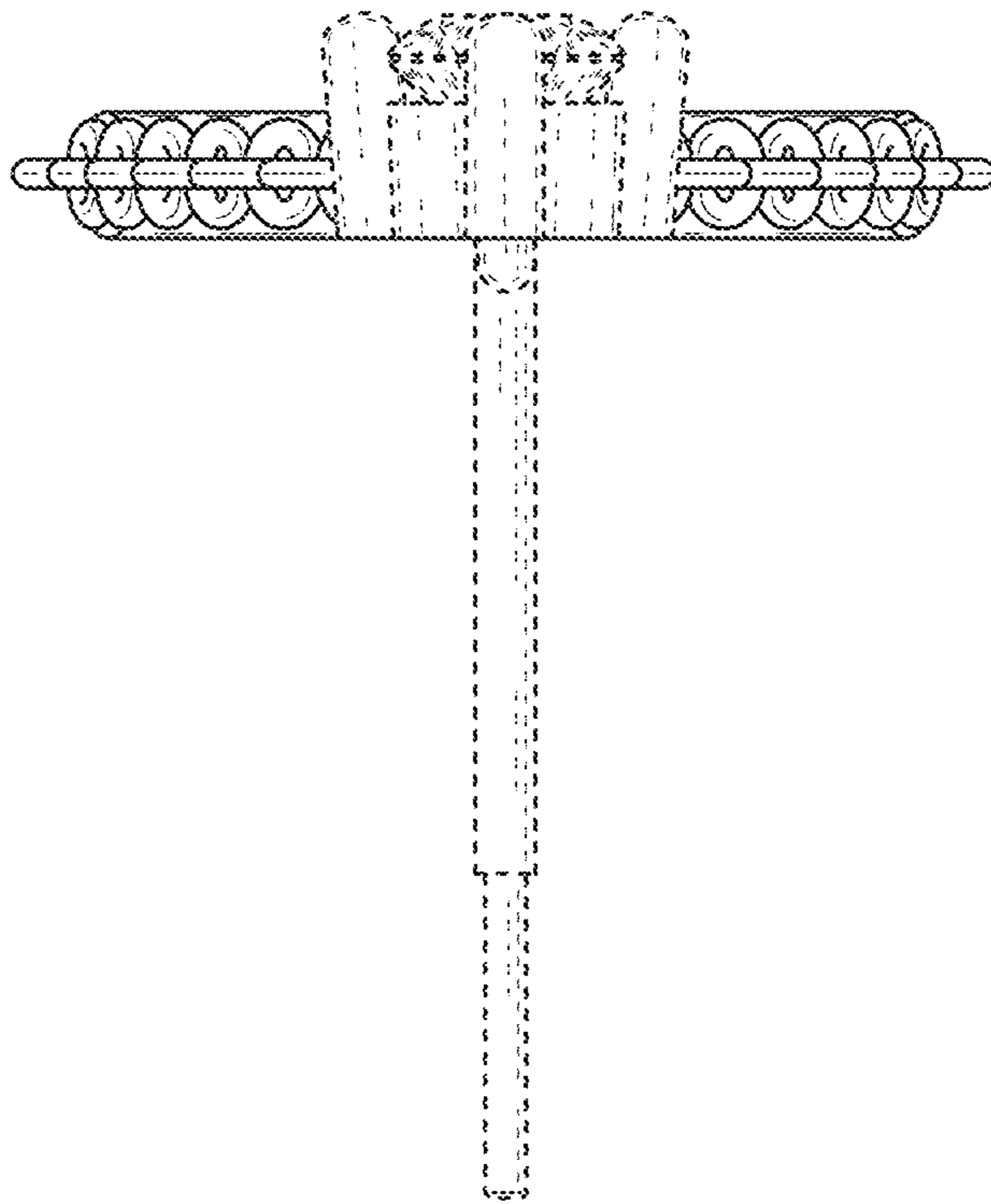


FIG. 21

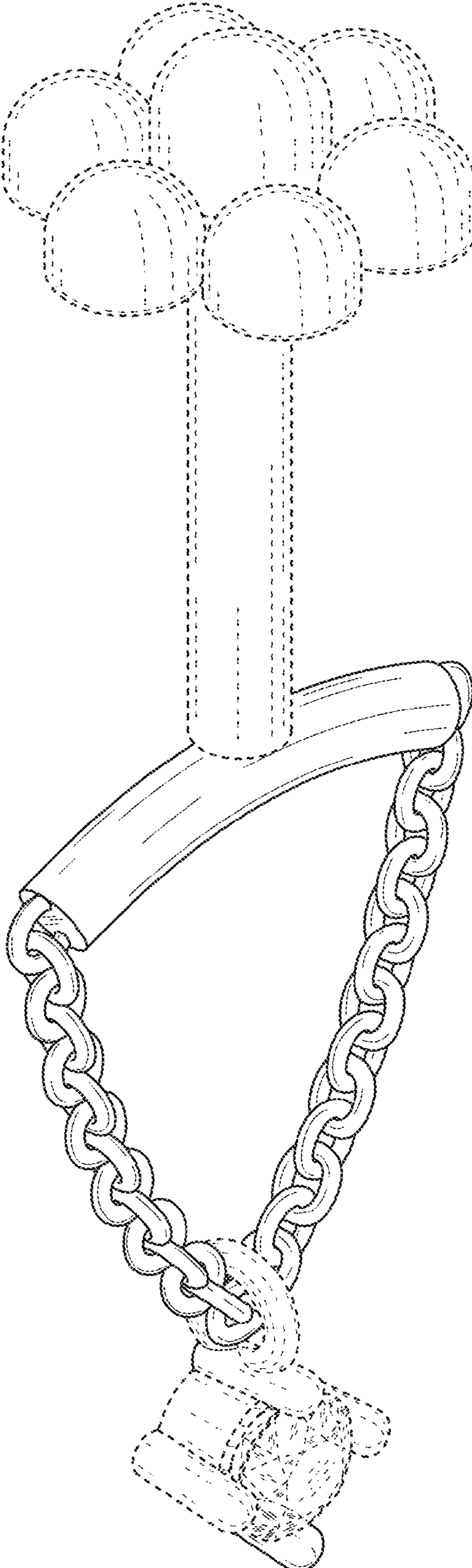


FIG. 22

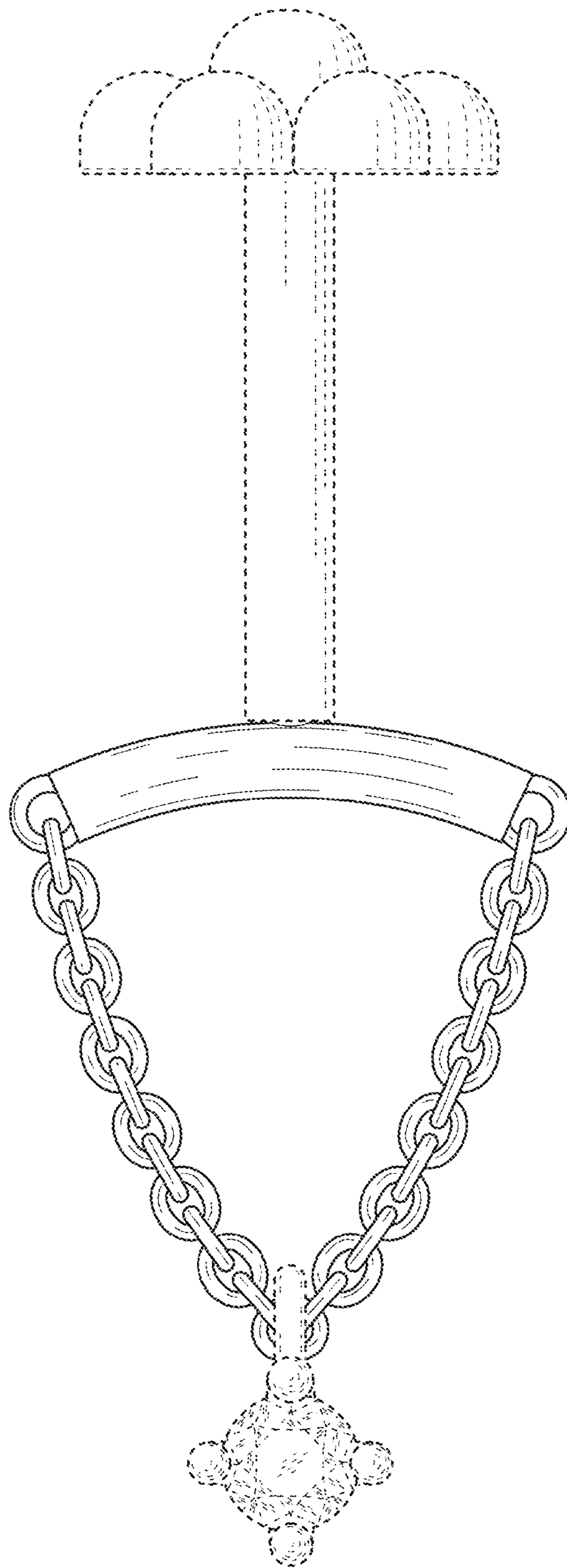


FIG. 23

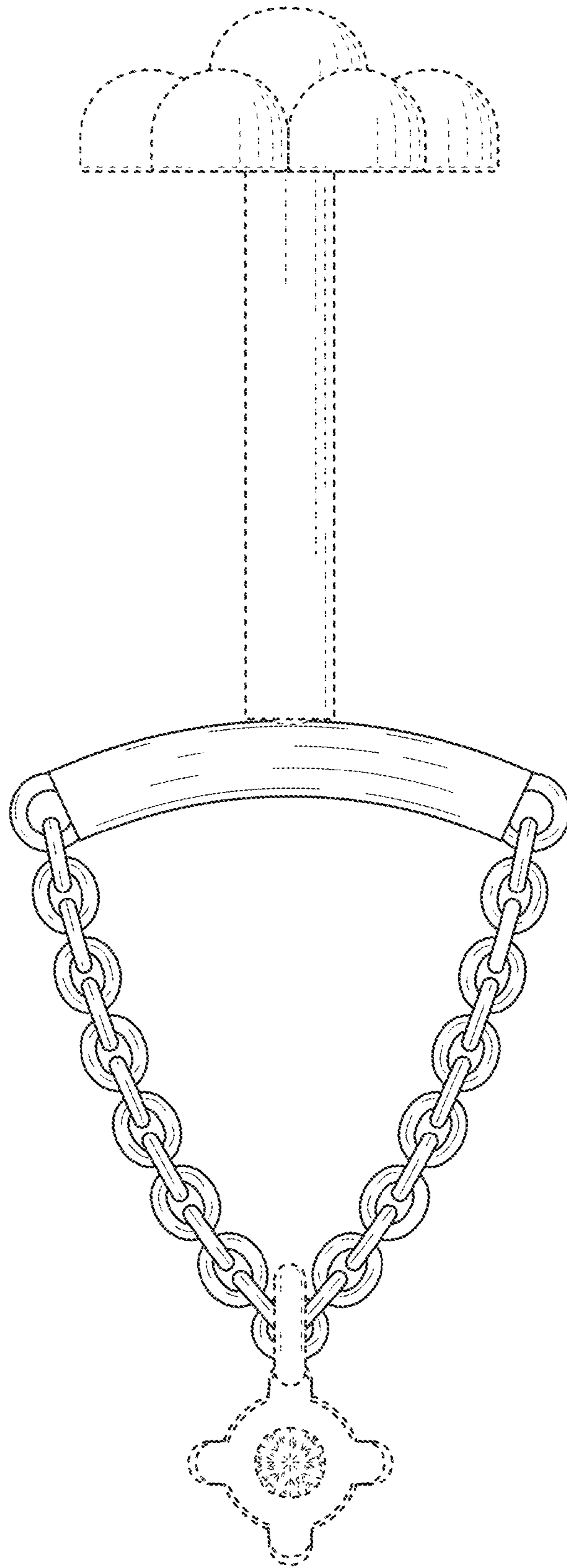


FIG. 24

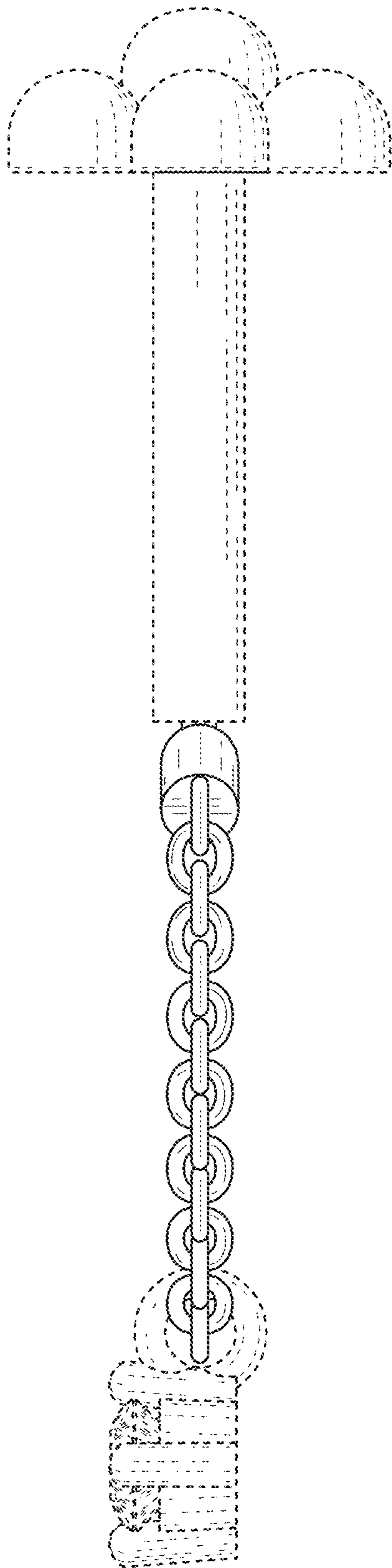


FIG. 25

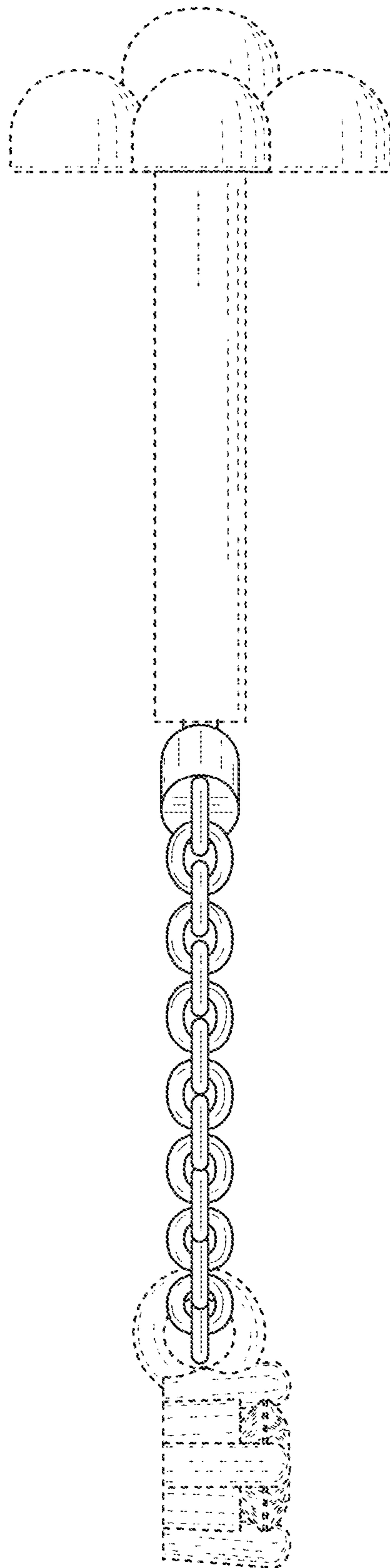


FIG. 26

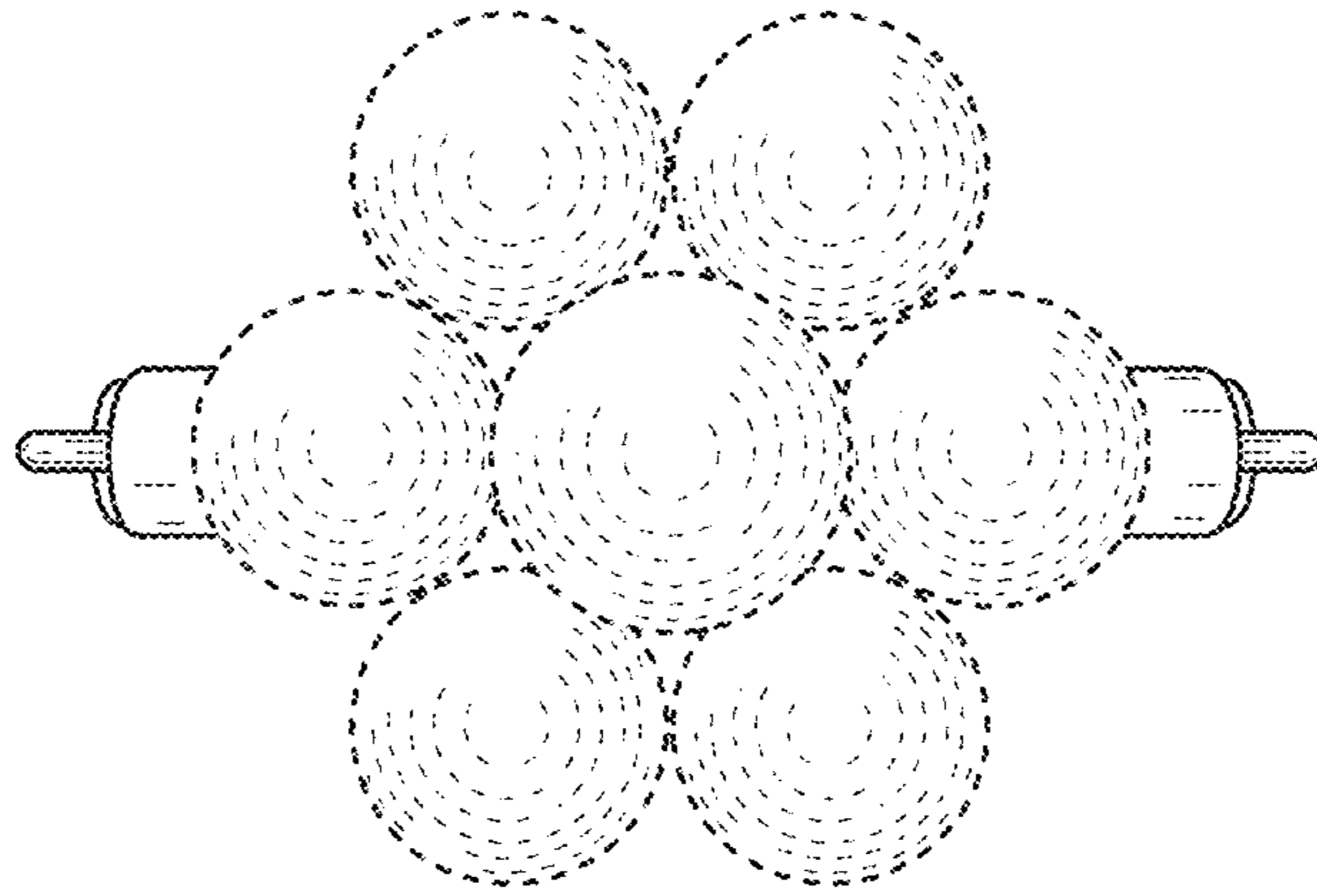


FIG. 27

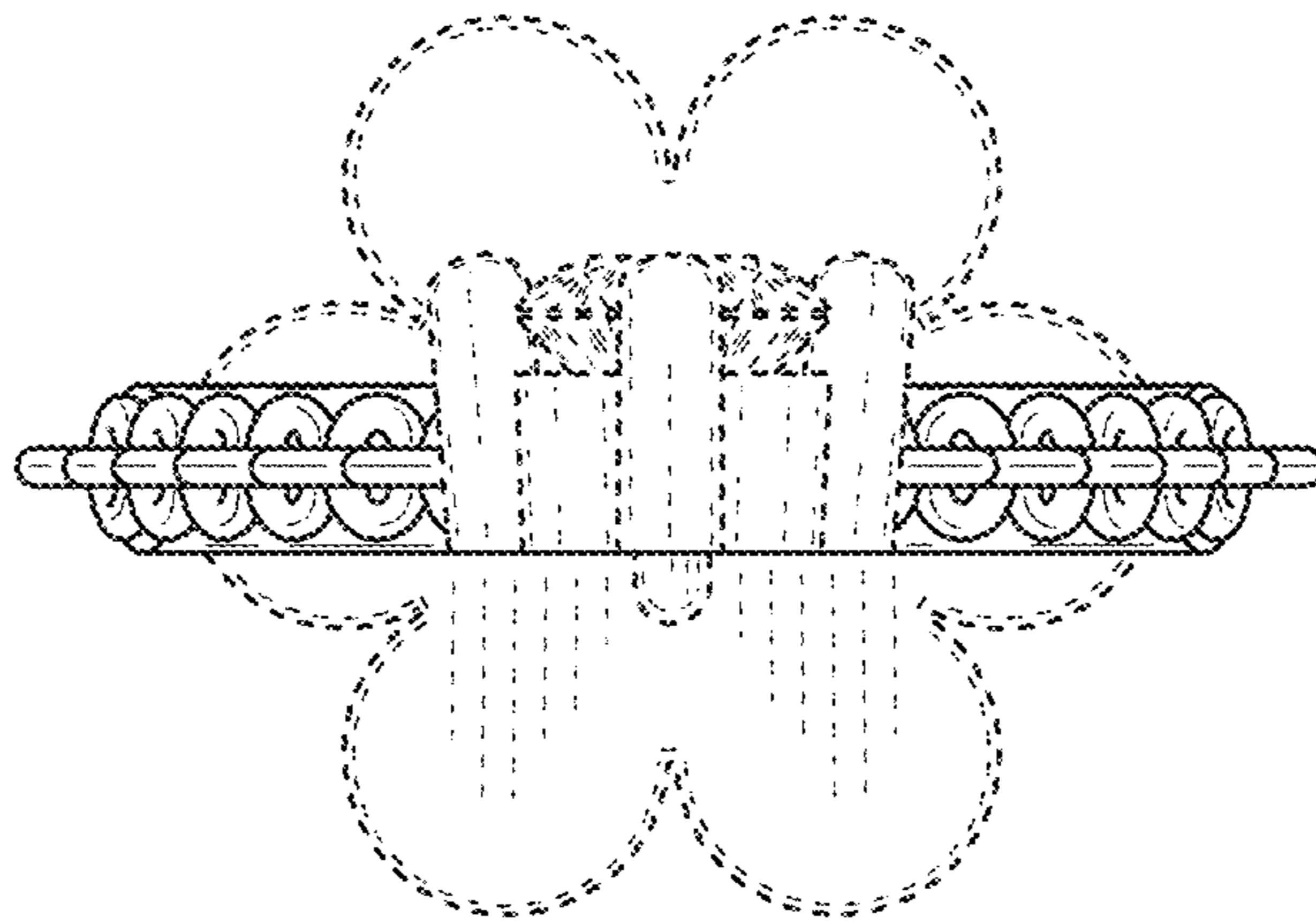


FIG. 28

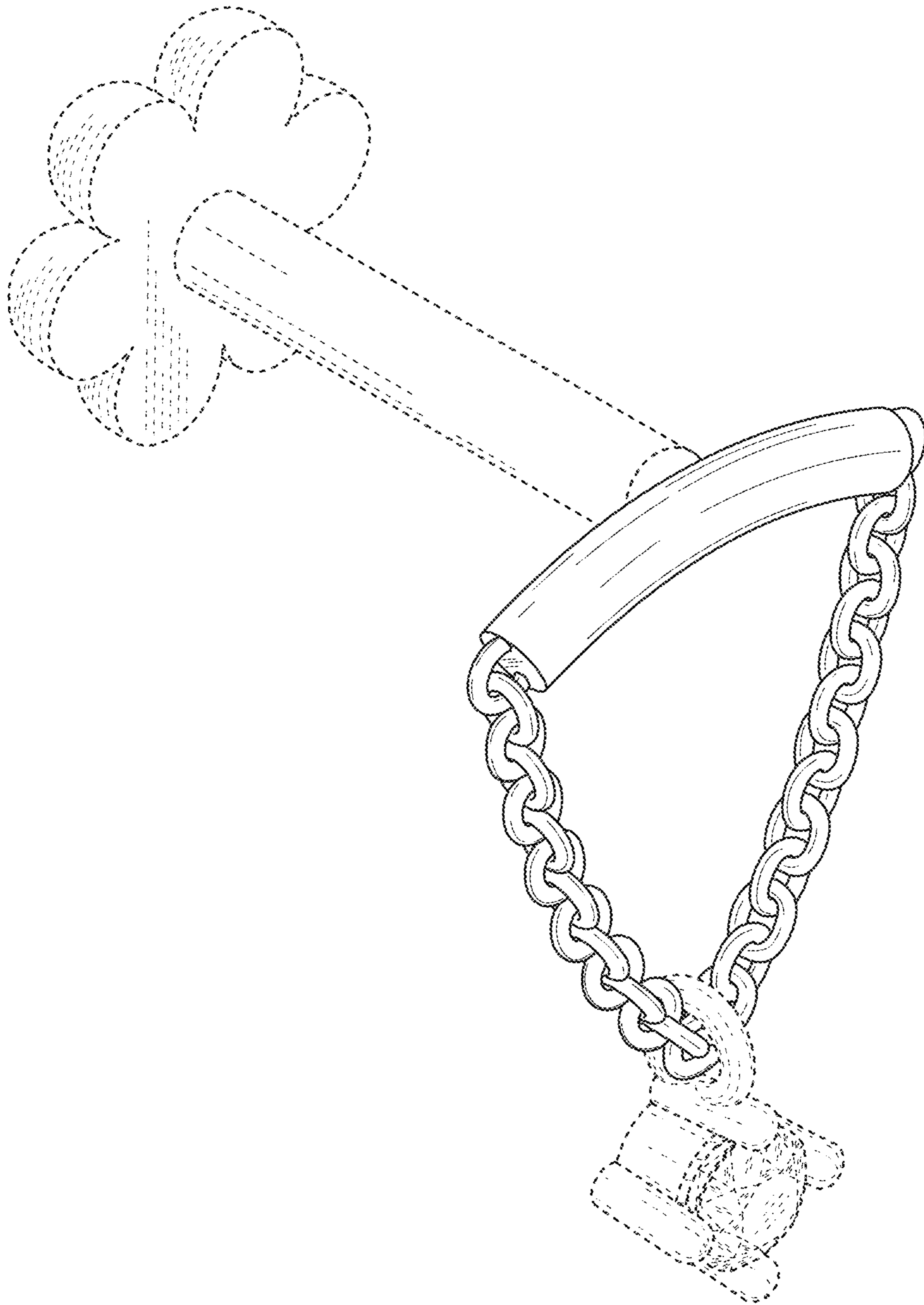


FIG. 29

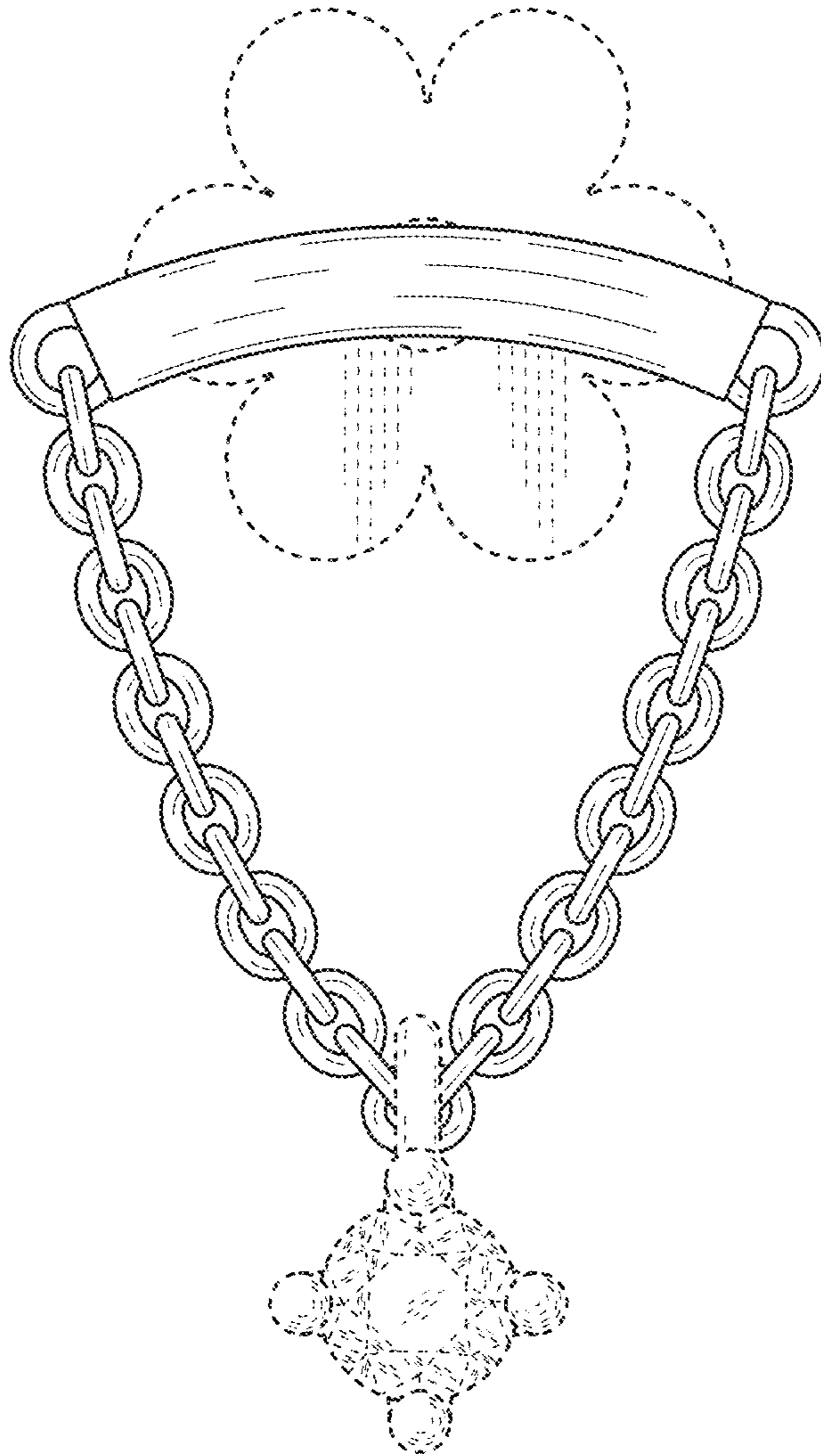


FIG. 30

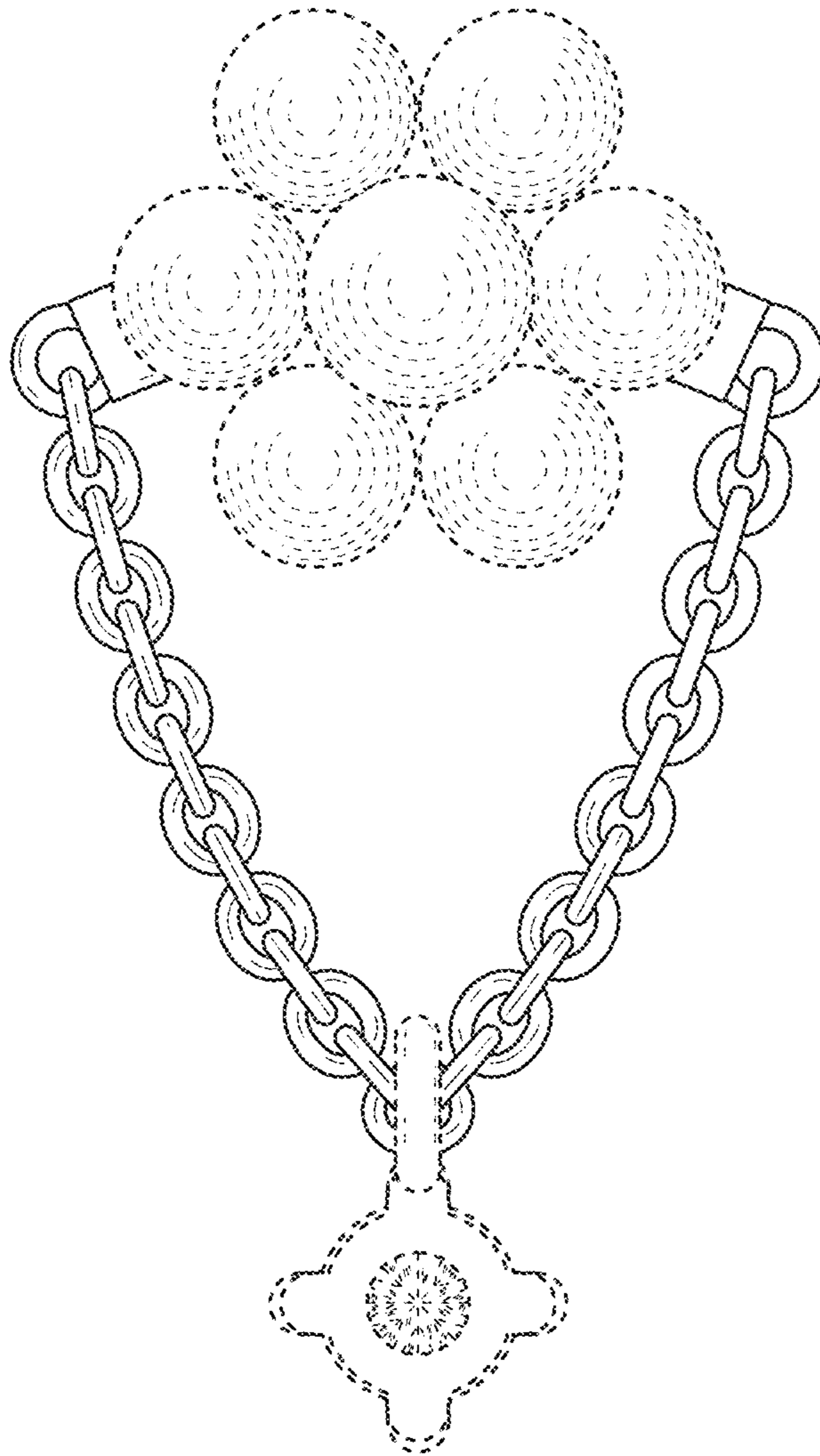


FIG. 31

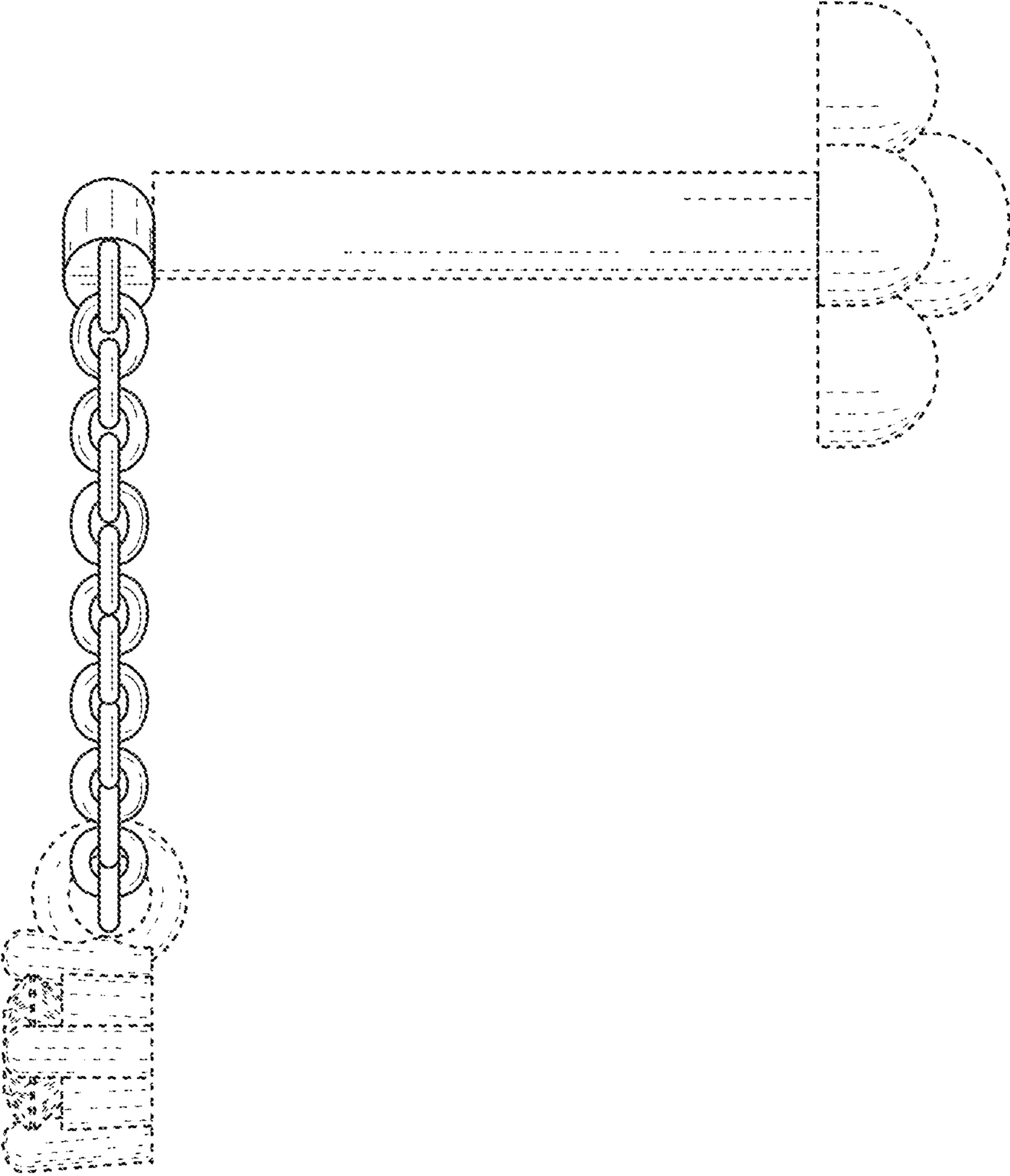


FIG. 32

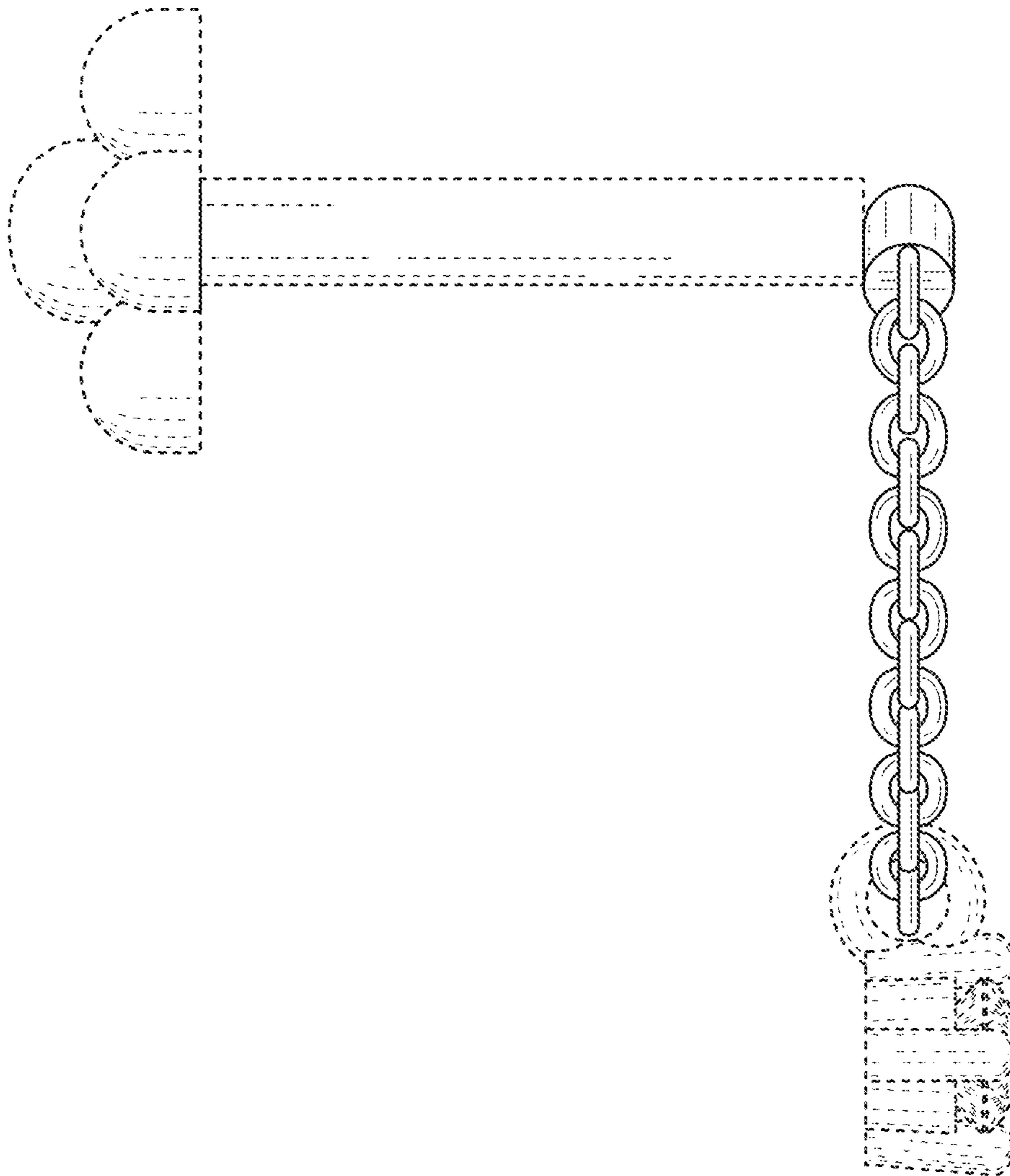


FIG. 33

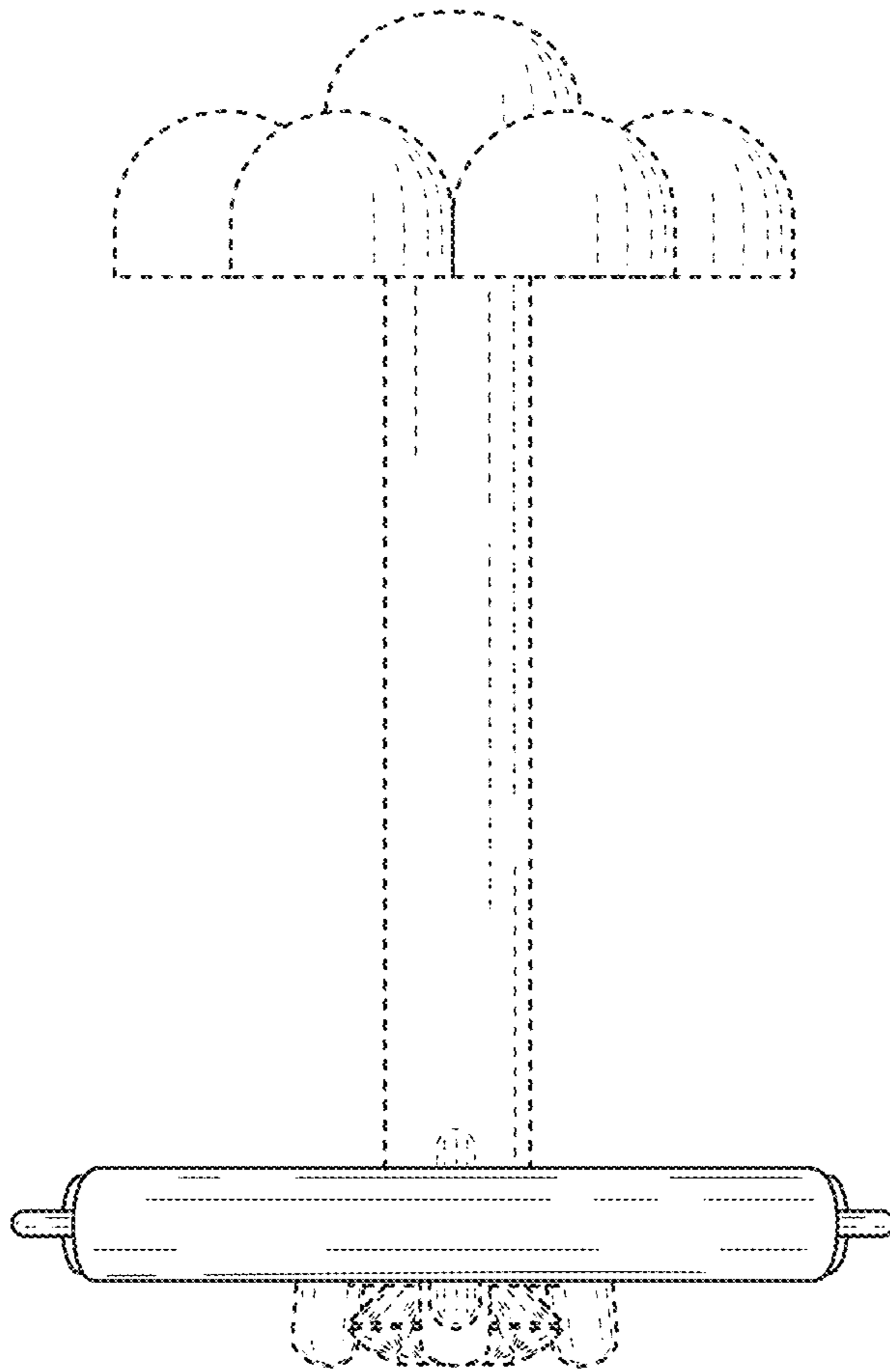


FIG. 34

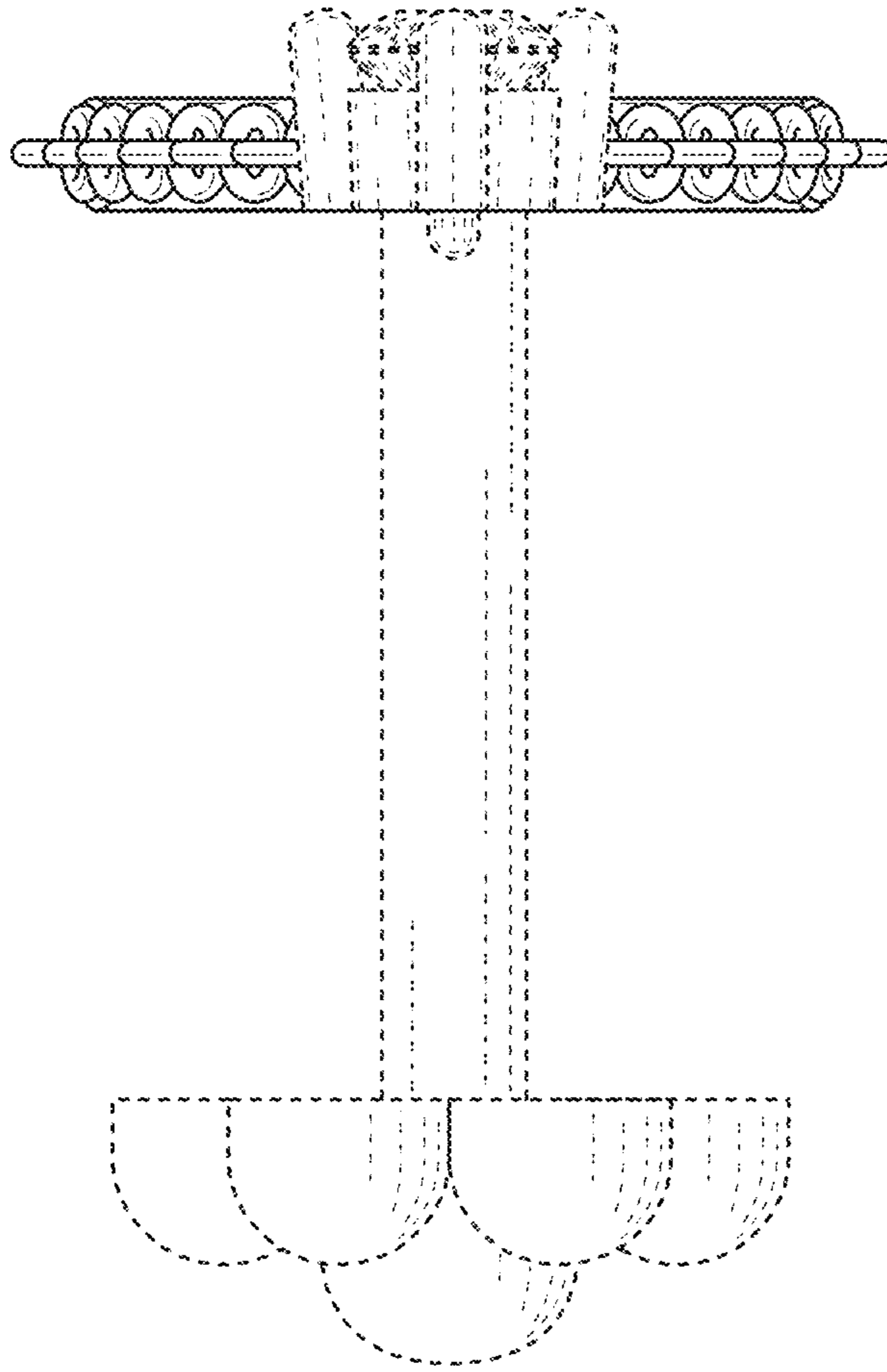


FIG. 35