



US00D983075S

(12) **United States Design Patent** (10) **Patent No.:** **US D983,075 S**
Abdourahim (45) **Date of Patent:** **** Apr. 11, 2023**

(54) **PAIR OF EARRINGS**
(71) Applicant: **Harry Winston SA**, Plan-les-Ouates (CH)
(72) Inventor: **Delphine Abdourahim**, New York, NY (US)
(73) Assignee: **Harry Winston SA**, Plan-les-Ouates (CH)
(**) Term: **15 Years**
(21) Appl. No.: **29/799,555**
(22) Filed: **Jul. 15, 2021**

D748,003 S * 1/2016 Vartanian D11/40
D748,004 S * 1/2016 Vartanian D11/40
D748,005 S * 1/2016 Vartanian D11/42
D748,006 S * 1/2016 Vartanian D11/42
D748,524 S * 2/2016 Vartanian D11/42
D749,981 S * 2/2016 Vartanian D11/42
D780,040 S * 2/2017 Galli D11/43
D813,709 S * 3/2018 Dholakiya D11/91

(Continued)

FOREIGN PATENT DOCUMENTS

HK 1915162-0001 * 5/2020

OTHER PUBLICATIONS

Grown Brilliance—2 2/3 ctw Round and Emerald Lab Grown Diamond Dangle Earrings, available Dec. 14, 2022, online, site visited Dec. 14, 2022. Available online, URL: <https://www.grownbrilliance.com/2-2-3-ctw-round-and-emerald-lab-grown-diamond-dangle-earrings-14k-yellow-gold/pid/EAGTXE02121-GY4> (Year: 2022).*

(Continued)

Primary Examiner — W. A. Teddy Falloway
Assistant Examiner — Sarah J Ault
(74) *Attorney, Agent, or Firm* — Blank Rome LLP

(30) **Foreign Application Priority Data**
Jan. 28, 2021 (WO) WIPO101422
(51) **LOC (14) Cl.** **11-01**
(52) **U.S. Cl.**
USPC **D11/40**
(58) **Field of Classification Search**
USPC D11/40-78, 79-85
CPC A44C 1/00; A44C 7/002; A44C 7/003;
A44C 7/004; A44C 7/005; A44C 7/006;
A44C 7/007; A44C 7/008; A44C 7/009;
A44C 25/001; A44C 25/002; A44C
25/004; A44C 25/007; A44C 17/001;
A44C 17/007; A44C 17/008; A44C
17/02; A44C 17/0208; A44C 17/0258;
A44C 17/0291; A44C 17/04; A44C
17/046

See application file for complete search history.

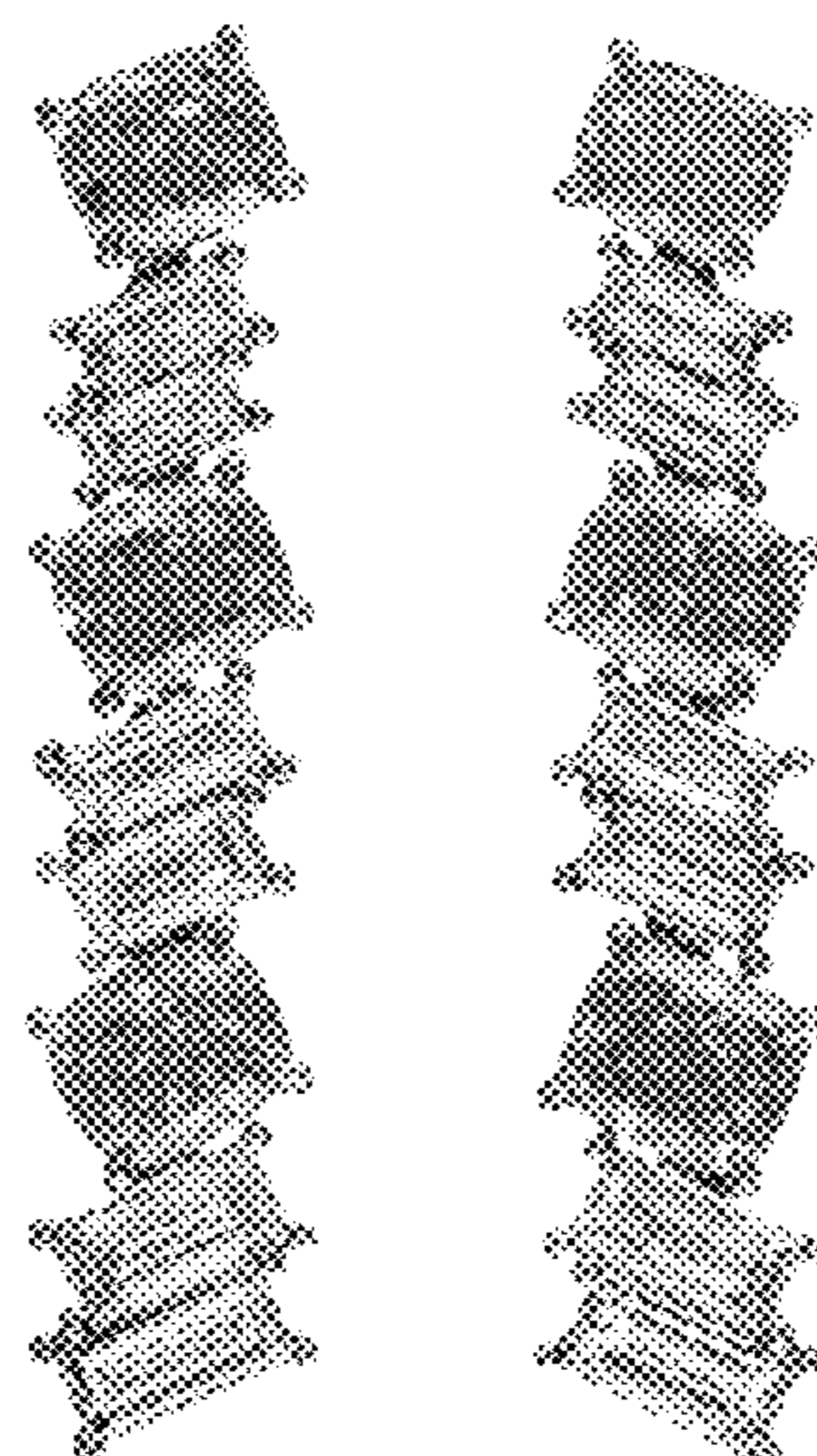
(56) **References Cited**
U.S. PATENT DOCUMENTS
D132,457 S * 5/1942 Nathan D11/75
D620,385 S * 7/2010 Javaheri D11/43
D728,410 S * 5/2015 Yatsugi-Kang D11/43
D740,153 S * 10/2015 Vartanian D11/40
D740,154 S * 10/2015 Vartanian D11/40

(57) **CLAIM**
The ornamental design for a pair of earrings, as shown and described.

DESCRIPTION

FIG. 1 is a front view of a pair of earrings of my new design; FIG. 2 is a rear view thereof; FIG. 3 is a right side view thereof; FIG. 4 is a left side view thereof; FIG. 5 is a top rear perspective view thereof; FIG. 6 is a bottom rear perspective view thereof; FIG. 7 is a front left perspective view thereof; and, FIG. 8 is a rear left perspective view thereof.

1 Claim, 8 Drawing Sheets



(56)

References Cited

U.S. PATENT DOCUMENTS

D942,308 S * 2/2022 Yatsugi-Kang D11/43
D955,265 S * 6/2022 Abdourahim D11/42

OTHER PUBLICATIONS

Ruchi New York Multicolor Sapphire Earrings, available 2019, online, site visited Dec. 14, 2022. Available online, URL: https://www.1stdibs.com/jewelry/earrings/drop-earrings/ruchi-new-york-multicolor-sapphire-earrings/id-j_13704462/ (Year: 2019).*

* cited by examiner

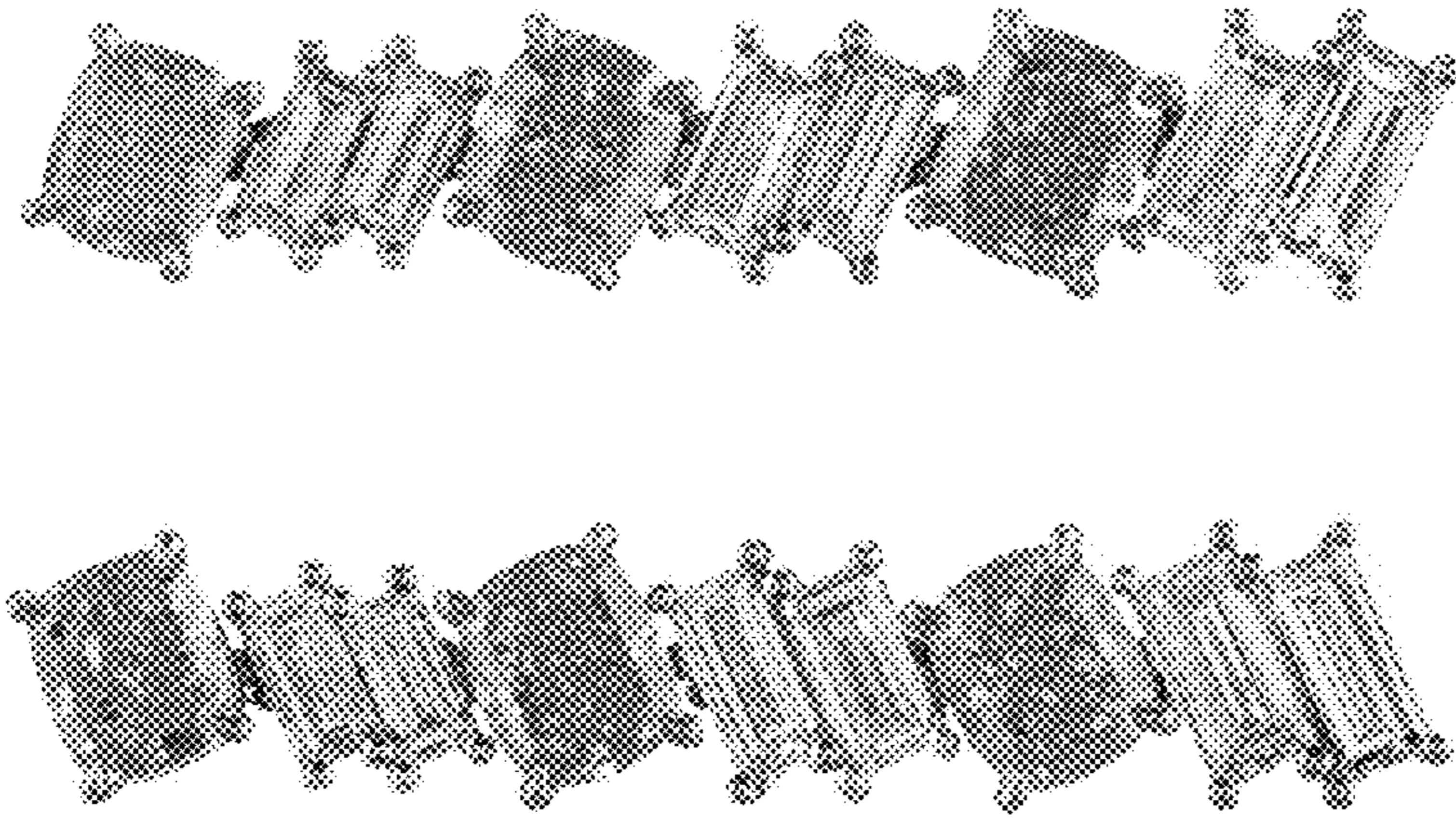


FIG. 1



FIG. 2



FIG. 3



FIG. 4

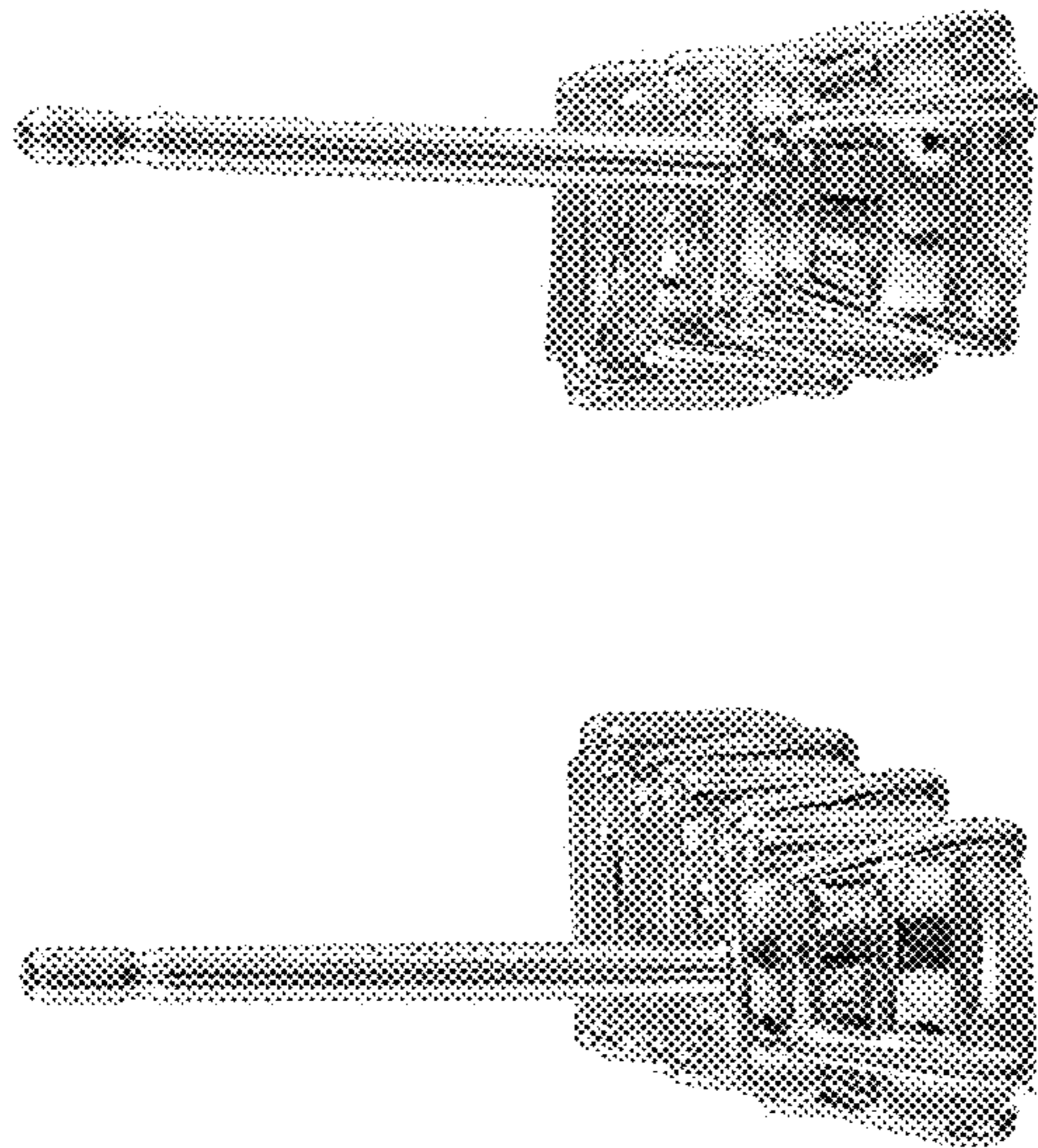


FIG. 5

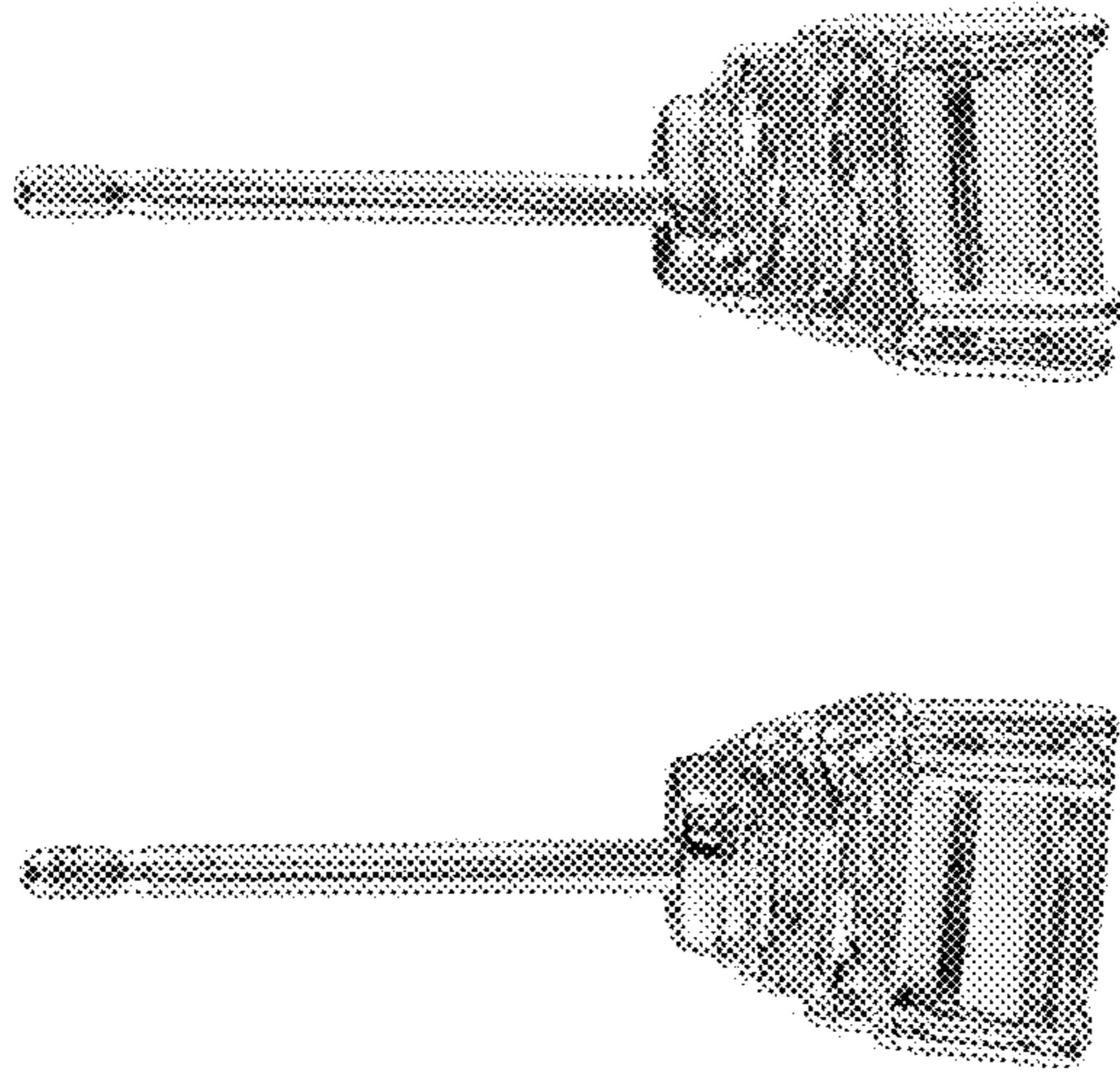


FIG. 6

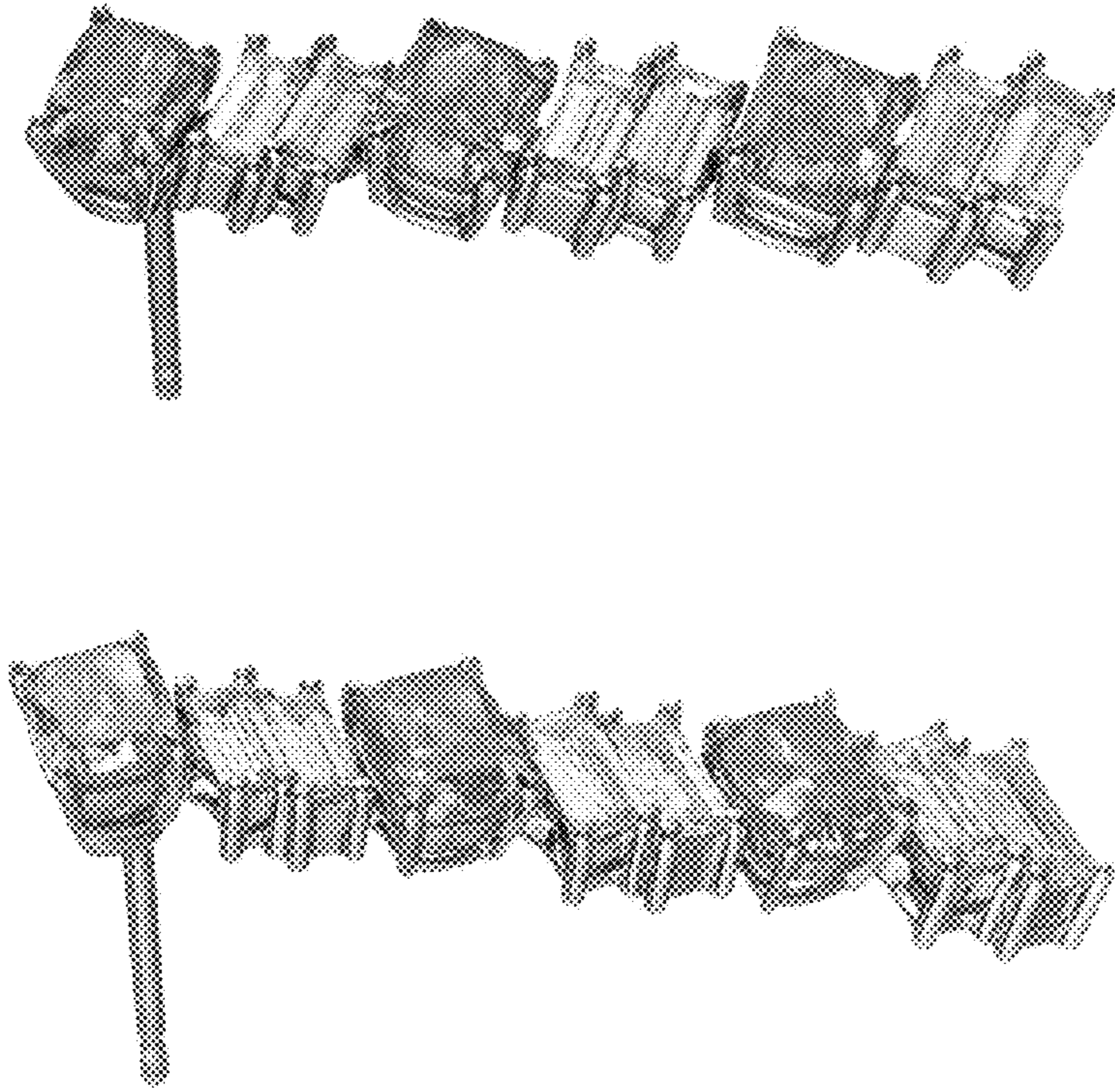


FIG. 7



FIG. 8