



US00D983072S

(12) **United States Design Patent** (10) **Patent No.:** **US D983,072 S**
Lin (45) **Date of Patent:** **** Apr. 11, 2023**

(54) **WATCH BAND**

(71) Applicant: **Binglun Lin**, Shenzhen (CN)

(72) Inventor: **Binglun Lin**, Shenzhen (CN)

(**) Term: **15 Years**

(21) Appl. No.: **29/852,256**

(22) Filed: **Sep. 6, 2022**

(51) **LOC (14) Cl.** **11-01**

(52) **U.S. Cl.**
USPC **D11/12**

(58) **Field of Classification Search**
USPC D11/1–25, 86, 93, 94; D10/30–39, 70,
D10/46; D24/186, 167; D14/344;
D2/627, 635
CPC G04B 37/1486; G04B 37/16; G04B 37/18;
A44C 5/14; A44C 5/0053; A44C 5/0069;
A44C 5/0076; A44C 5/00; A44C 5/0007;
A44C 5/0015; A44C 5/0023; A44C
5/003; A44C 5/0061; A44C 5/12; A44C
5/147; A44C 5/18; A44C 5/185
See application file for complete search history.

(56) **References Cited**

U.S. PATENT DOCUMENTS

D447,077 S	8/2001	Sakamaki	
D737,158 S *	8/2015	Akana	D10/70
D739,780 S *	9/2015	Akana	D11/3
D746,707 S *	1/2016	Akana	D10/70
D784,831 S *	4/2017	Akana	D10/70
D813,076 S *	3/2018	Akana	D11/5
D834,439 S	11/2018	Monachon	
D836,478 S	12/2018	Wright et al.	
D837,082 S *	1/2019	Akana	D11/3
D842,157 S	3/2019	Liu	
D843,875 S *	3/2019	Akana	D11/34

D854,961 S *	7/2019	Akana	D11/3
D857,542 S *	8/2019	Sun	D11/3
D863,096 S *	10/2019	Akana	D11/3
D874,311 S	2/2020	Connor et al.	
D875,587 S *	2/2020	Akana	D10/122
D882,445 S	4/2020	Liao	
D883,837 S *	5/2020	Akana	D11/3
D892,667 S	8/2020	Chen	
D896,677 S *	9/2020	Wang	D11/3
D904,919 S	12/2020	Barczak et al.	
D922,894 S *	6/2021	Akana	D11/5
D940,583 S *	1/2022	Akana	D11/5
D947,053 S *	3/2022	Akana	D10/122
D953,912 S *	6/2022	Cai	D11/3
D955,255 S *	6/2022	Cai	D11/3
D955,256 S *	6/2022	Cao	D11/3
D959,317 S *	8/2022	Cai	D11/3
D970,380 S *	11/2022	Wu	D11/3
D970,382 S *	11/2022	Wu	D11/3

* cited by examiner

Primary Examiner — Melanie Pellegrini

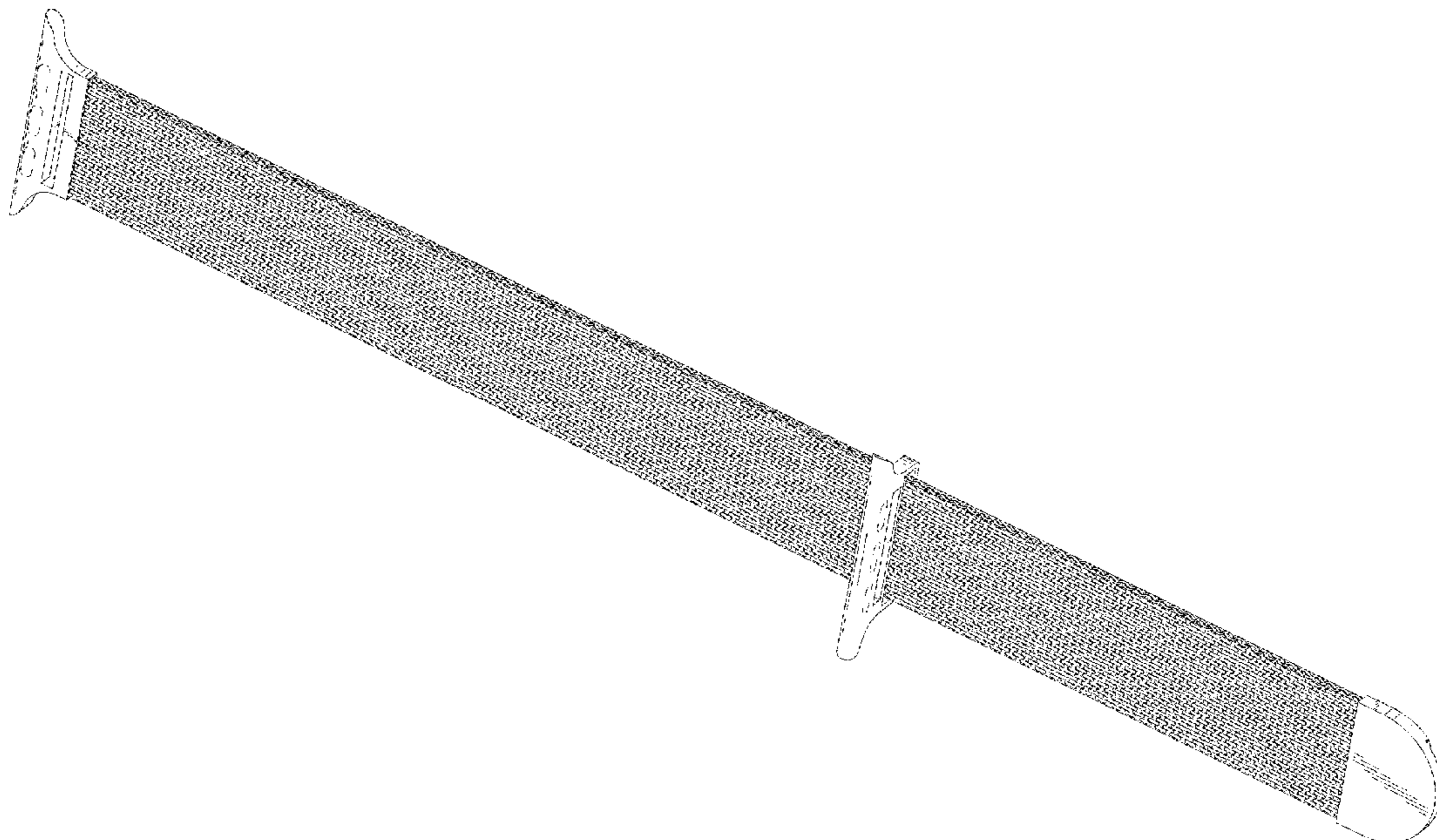
(57) **CLAIM**

The ornamental design for watch band, as shown and described.

DESCRIPTION

FIG. 1 is a front, right, and top perspective view of a watch band, showing my new design;
FIG. 2 is a front elevational view thereof;
FIG. 3 is a rear elevational view thereof;
FIG. 4 is a left elevational view thereof;
FIG. 5 is a right elevational view thereof;
FIG. 6 is a top plan view thereof;
FIG. 7 is a bottom plan view thereof; and,
FIG. 8 is a perspective view thereof when being folded.
The broken lines shown in the drawings illustrate portions of the watch band that form no part of the claimed design.

1 Claim, 8 Drawing Sheets



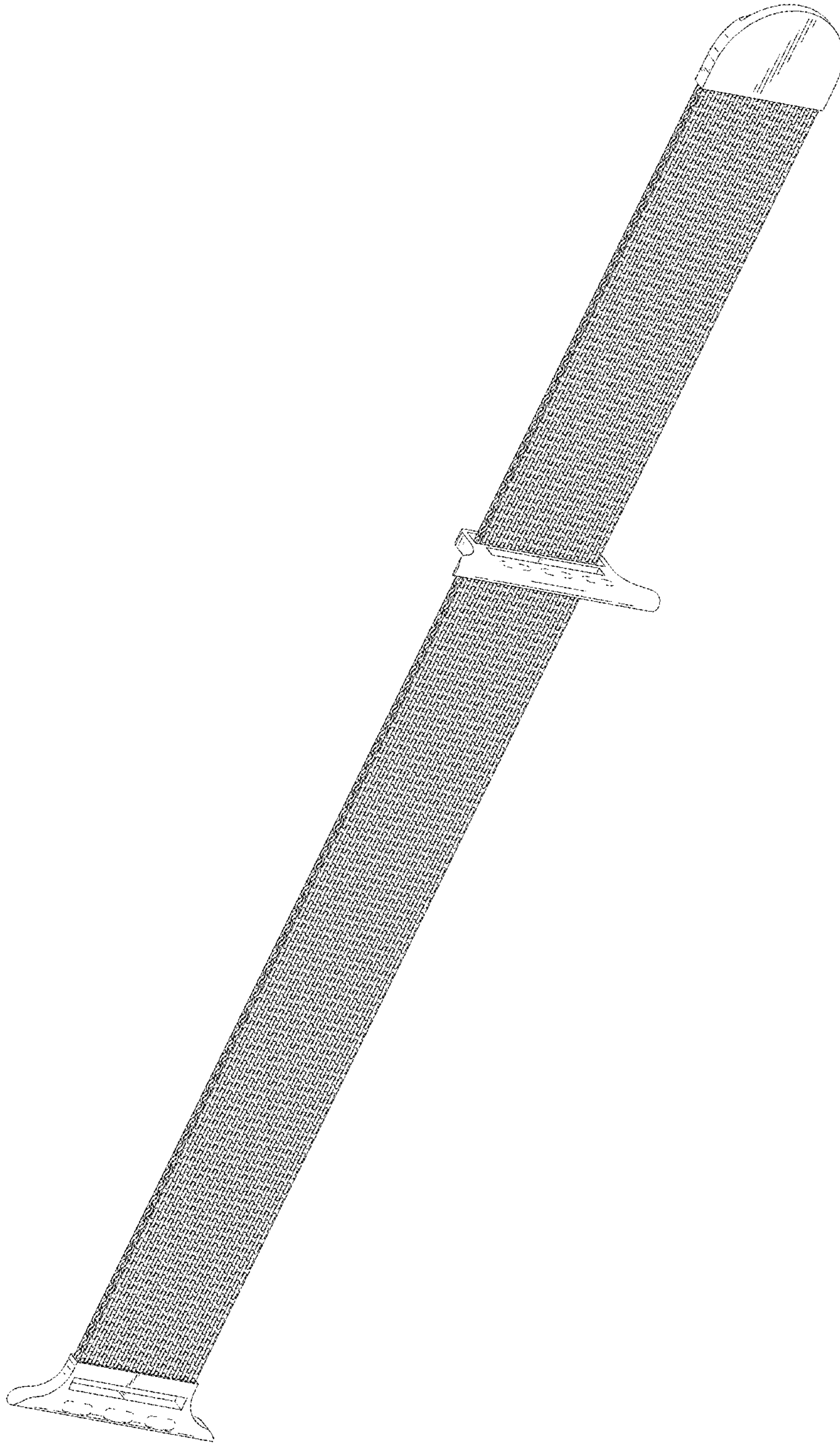


FIG. 1

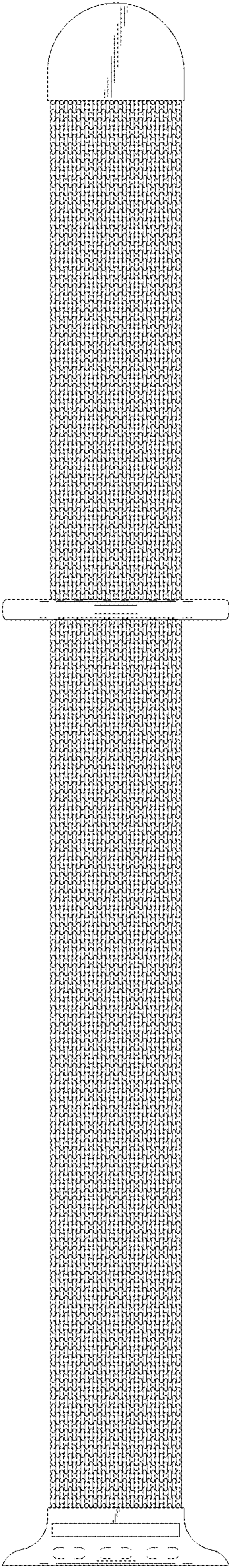


FIG. 2

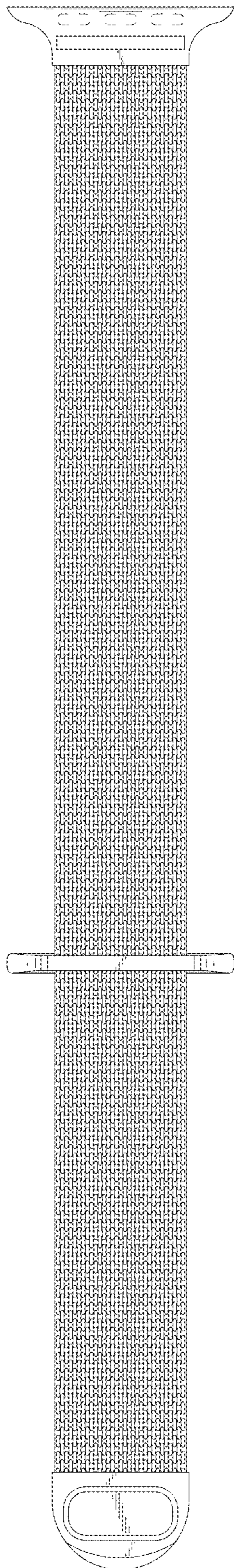


FIG. 3

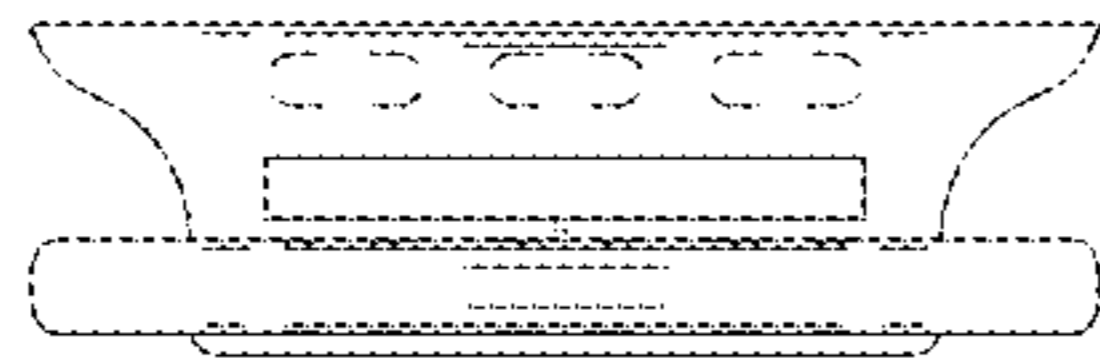


FIG.4

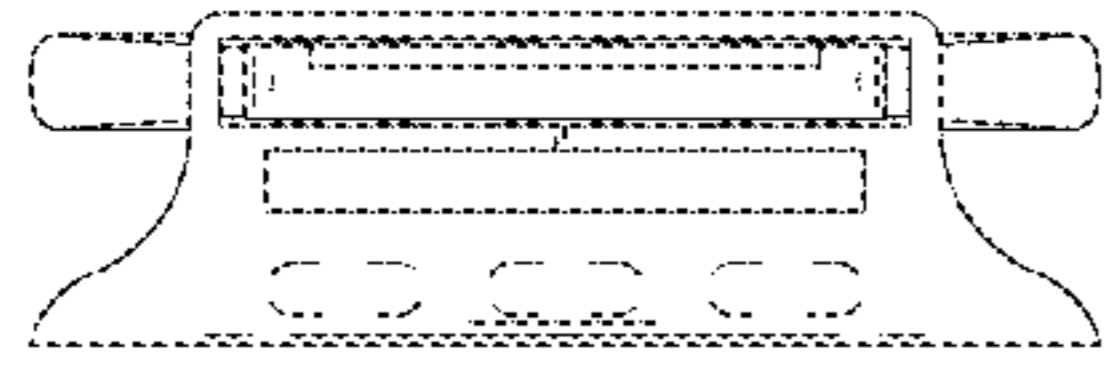


FIG. 5

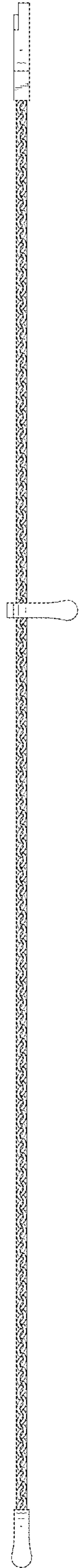


FIG. 6

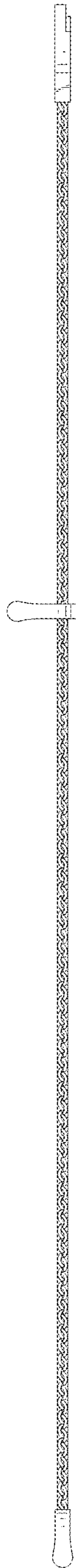


FIG. 7

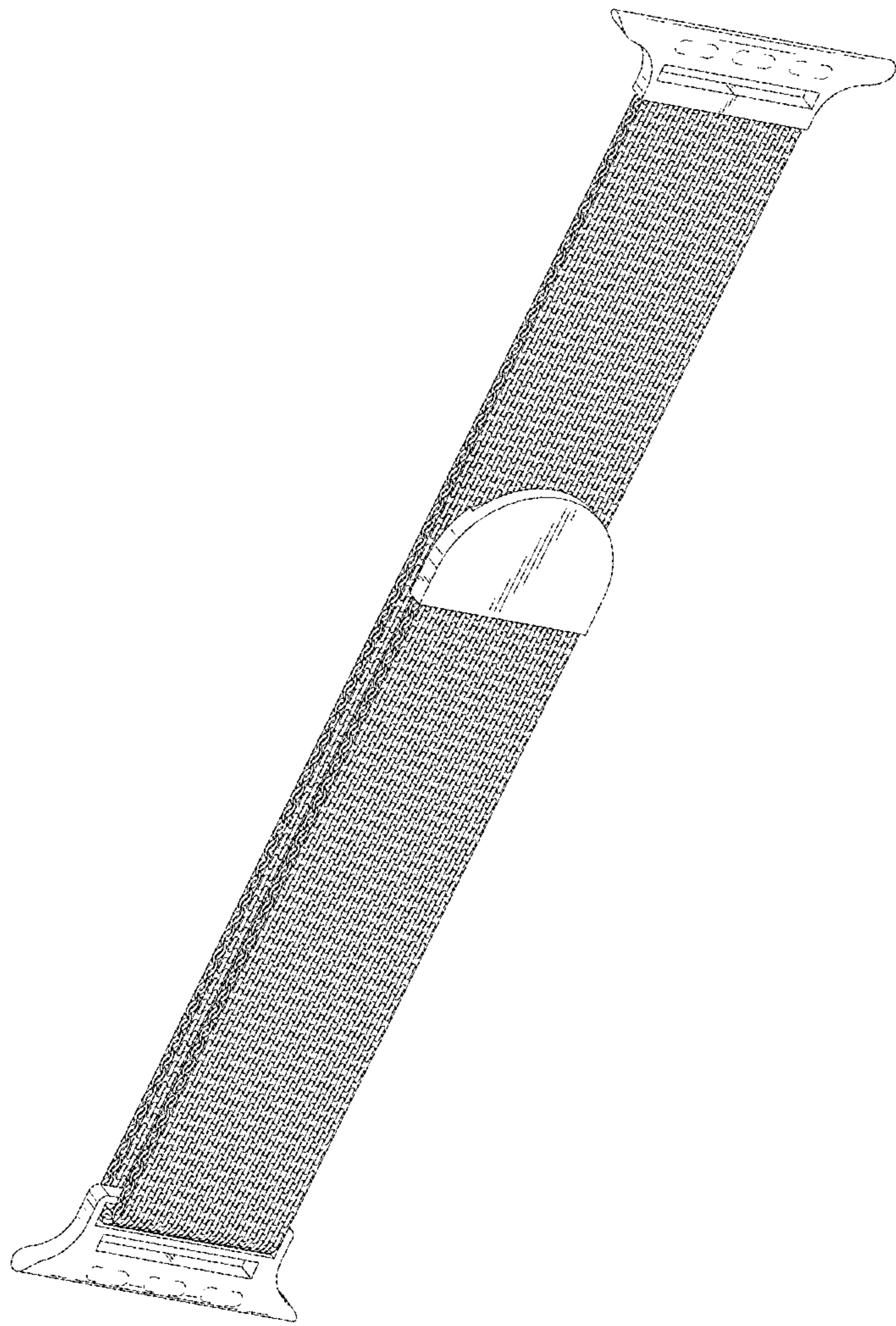


FIG. 8