



US00D983066S

(12) **United States Design Patent**
Wright et al.

(10) **Patent No.:** **US D983,066 S**
(45) **Date of Patent:** **** Apr. 11, 2023**

(54) **PROTECTIVE CASE FOR ELECTRONIC TRACKING DEVICE**

(71) Applicant: **Catalyst Lifestyle Limited**, North Point (HK)

(72) Inventors: **Joshua Wright**, Hong Kong (CN);
June Lai, Hong Kong (CN)

(73) Assignee: **CATALYST LIFESTYLE LIMITED**, North Point (HK)

(**) Term: **15 Years**

(21) Appl. No.: **29/801,948**

(22) Filed: **Aug. 2, 2021**

(51) **LOC (14) Cl.** **10-06**

(52) **U.S. Cl.**
USPC **D10/121**

(58) **Field of Classification Search**
USPC D10/70, 97, 103, 104.1, 104.2, 106.1,
D10/106.6, 106.9, 106.94, 121; D3/201,
(Continued)

(56) **References Cited**

U.S. PATENT DOCUMENTS

2,511,651	A *	6/1950	Schlitz	A47G 1/12 63/15
3,407,523	A *	10/1968	Winston	A01K 11/00 359/546
D389,999	S *	2/1998	Daigle	D3/201
D431,341	S *	9/2000	DiPaolo	D3/208
D456,986	S *	5/2002	Truisi	D3/208
D463,104	S *	9/2002	Ames	D3/207

(Continued)

OTHER PUBLICATIONS

U.S. Office Action dated Nov. 10, 2022 pertaining to U.S. Appl. No. 29/801,947, filed Aug. 2, 2021, 7 pages.

Primary Examiner — George D. Kirschbaum

Assistant Examiner — Lillian Windham

(74) *Attorney, Agent, or Firm* — Dinsmore & Shohl LLP

(57) **CLAIM**

The ornamental design for a protective case for electronic tracking device, as shown and described.

DESCRIPTION

FIG. 1 is a perspective view including the front, top, and side of a protective case for electronic tracking device showing our new design;

FIG. 2 is a perspective view including the rear, bottom, and the opposite side of the protective case for electronic tracking device of FIG. 1;

FIG. 3 is a front elevation view of the protective case for electronic tracking device of FIG. 1;

FIG. 4 is a rear elevation view of the protective case for electronic tracking device of FIG. 1;

FIG. 5 is a side elevation of the protective case for electronic tracking device of FIG. 1;

FIG. 6 is an opposite side elevation view of the protective case for electronic tracking device of FIG. 1;

FIG. 7 is a top plan view of the protective case for electronic tracking device of FIG. 1;

FIG. 8 is a bottom plan view of the protective case for electronic tracking device of FIG. 1;

FIG. 9 is a perspective view including the front, top, and side of a protective case for electronic tracking device wherein the elements of the protective case are separated from each other;

FIG. 10 is a perspective view including the rear, bottom, and an opposite side of the protective case for electronic tracking device wherein the elements of the protective case are separated from each;

FIG. 11 is a front elevation view of the protective case for electronic tracking device wherein the elements of the protective case are separated from each;

FIG. 12 is a rear elevation view of the protective case for electronic tracking device wherein the elements of the protective case are separated from each;

FIG. 13 is a side elevation of the protective case for electronic tracking device wherein the elements of the protective case are separated from each;

FIG. 14 is an opposite side elevation view of the protective case for electronic tracking device wherein the elements of the protective case are separated from each;

(Continued)

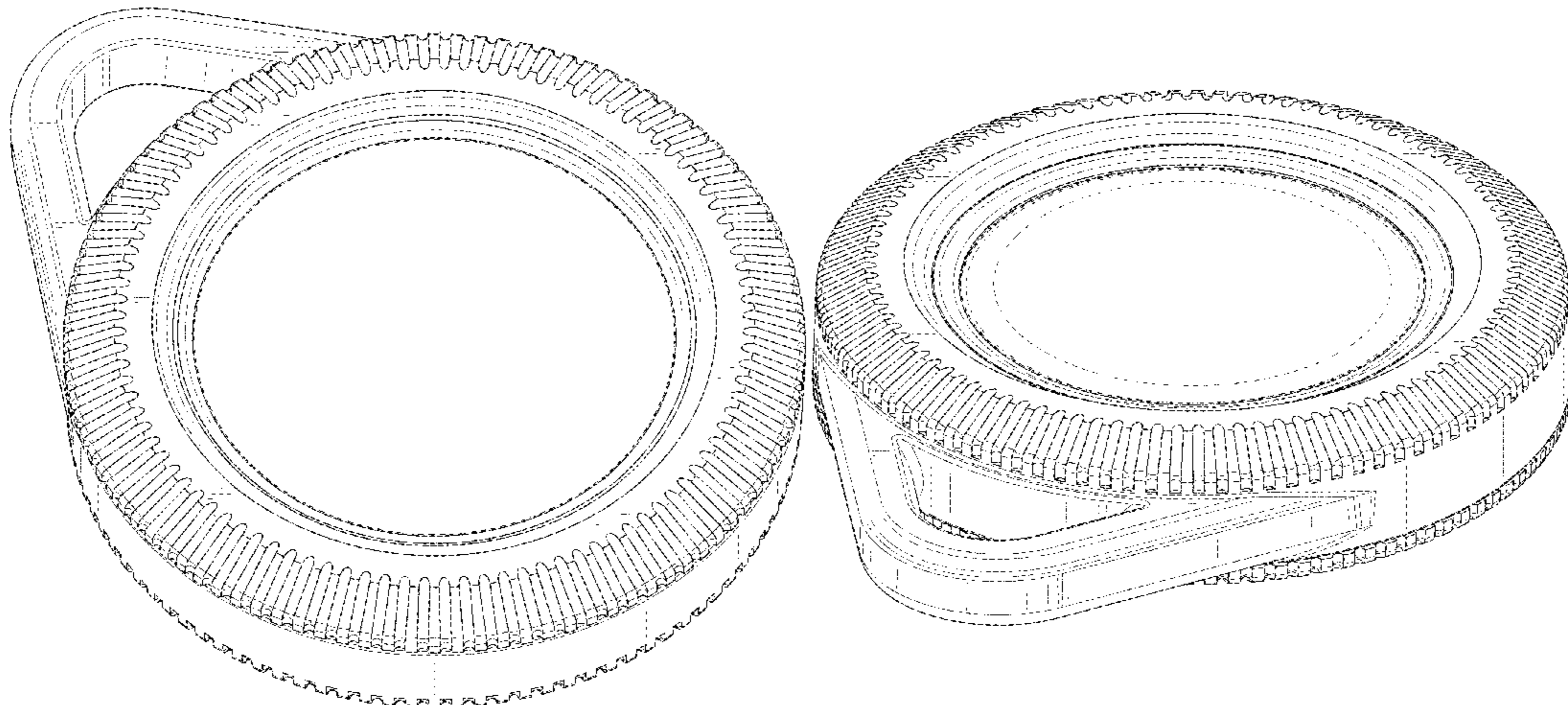


FIG. 15 is a top plan view of the protective case for electronic tracking device wherein the elements of the protective case are separated from each; and,

FIG. 16 is a bottom plan view of the protective case for electronic tracking device wherein the elements of the protective case are separated from each.

The dashed broken lines throughout the drawing figures depict portions of the protective case for electronic tracking device that form no part of the claimed design.

1 Claim, 16 Drawing Sheets

(58) **Field of Classification Search**

USPC D3/203.2, 207, 208, 210, 215, 218, 229,
D3/273; D11/78.1, 80, 221; D14/192,
D14/203.1, 203.6, 216, 251, 253, 344;
D30/155

CPC G08B 13/2434; G08B 21/0291; E05B
73/0023; E05B 73/0041

See application file for complete search history.

(56)

References Cited

U.S. PATENT DOCUMENTS

D519,057	S	*	4/2006	Gracer	D11/221
D596,514	S	*	7/2009	Luzar	D10/70
D619,499	S		7/2010	Weyer		
D625,761	S		10/2010	Pavlik		
D647,810	S	*	11/2011	Bohrer	D10/106.9
D683,251	S	*	5/2013	Dumas	D10/104.2
D709,344	S		7/2014	Adelman		
D717,537	S		11/2014	Tsai		
D735,607	S	*	8/2015	Oberwelz	D11/221
D799,297	S		10/2017	Manor		
D834,303	S	*	11/2018	Paz	D3/203.1
D877,113	S	*	3/2020	Jin	D14/204
D890,021	S		7/2020	Burke		
D934,817	S	*	11/2021	Svärd	D3/207
D936,365	S	*	11/2021	Chun	D3/273
D936,504	S	*	11/2021	Dick	D10/70
D938,254	S		12/2021	Ormsbee		
D951,912	S	*	5/2022	Lin	D14/216
D960,017	S	*	8/2022	Wu	D10/121
D962,632	S	*	9/2022	Liu	D10/104.1

* cited by examiner

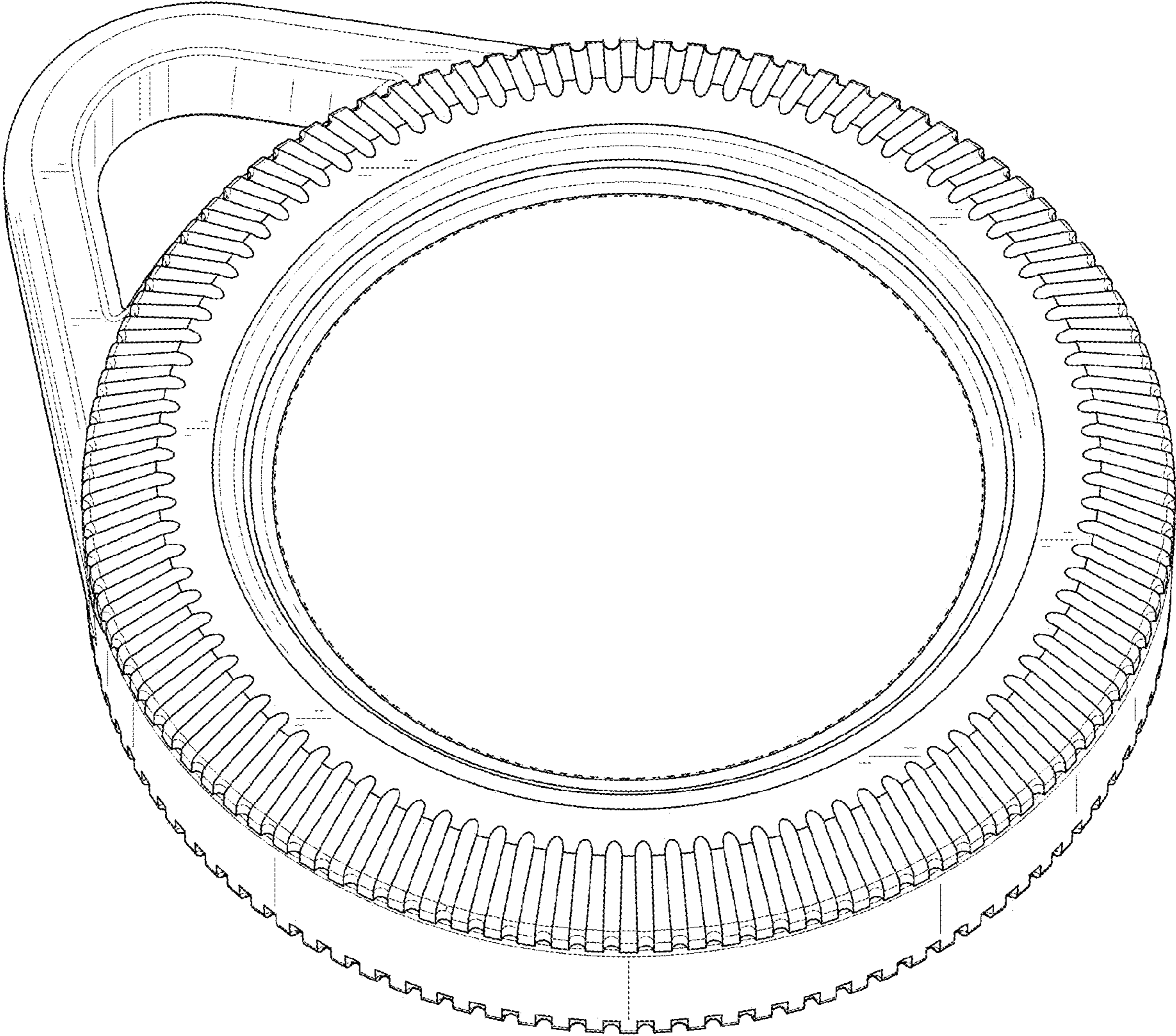


FIG. 1

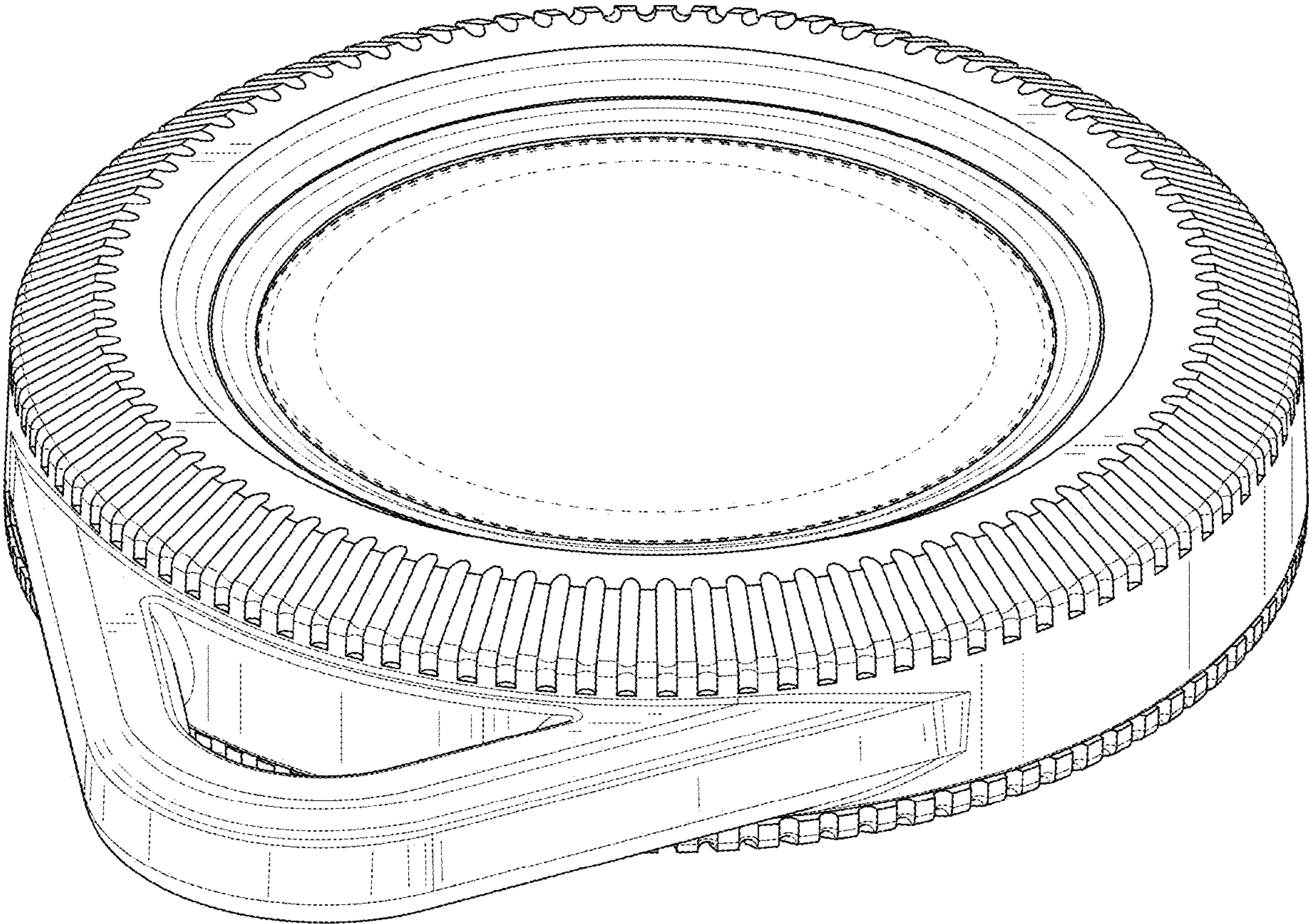


FIG. 2

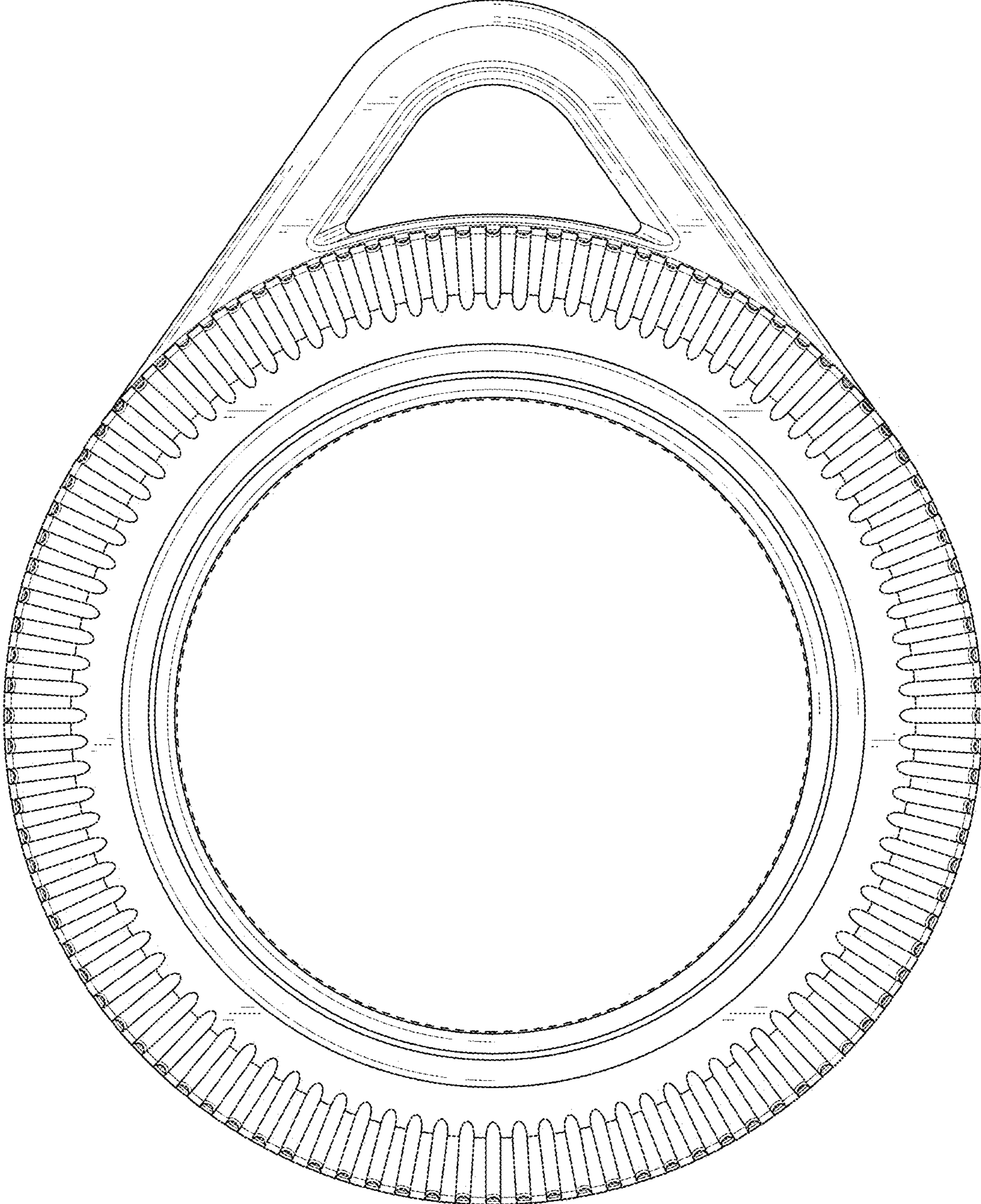


FIG. 3

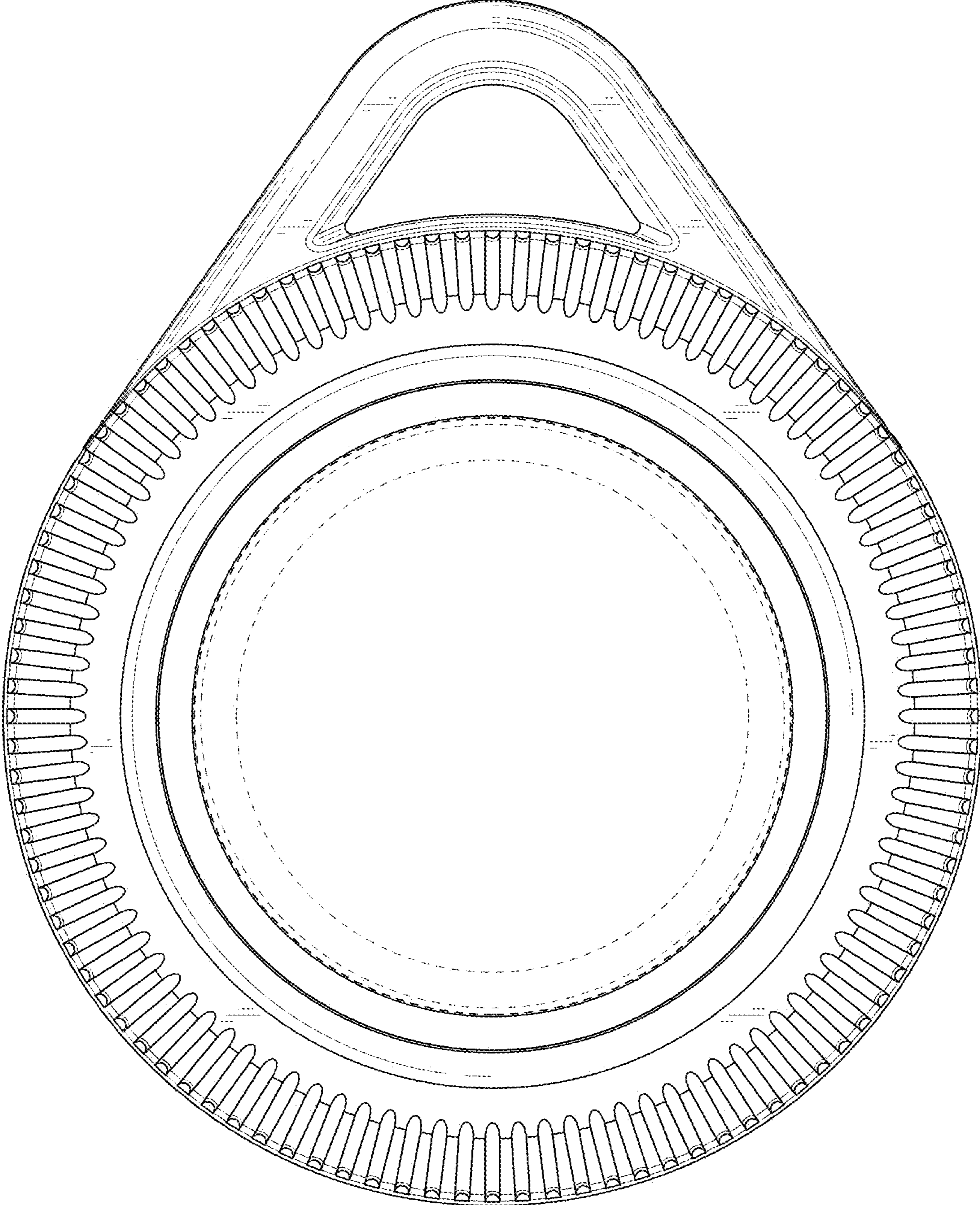


FIG. 4

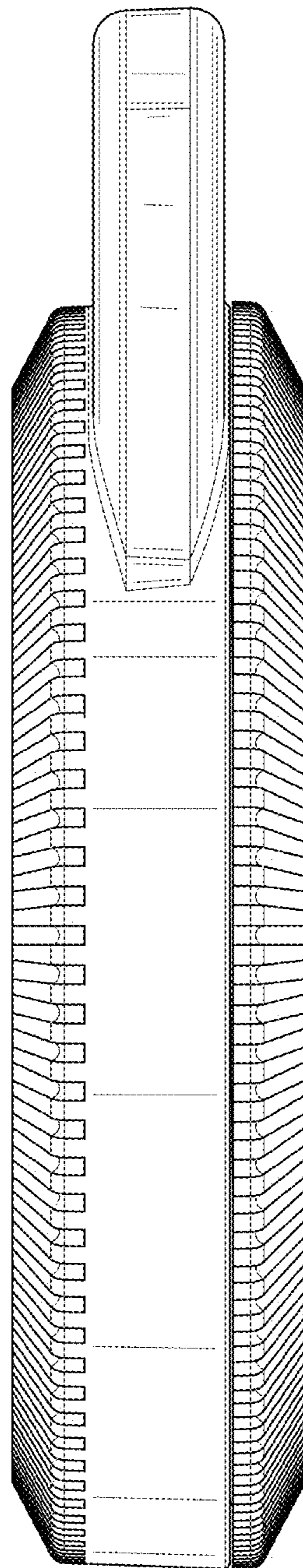


FIG. 5

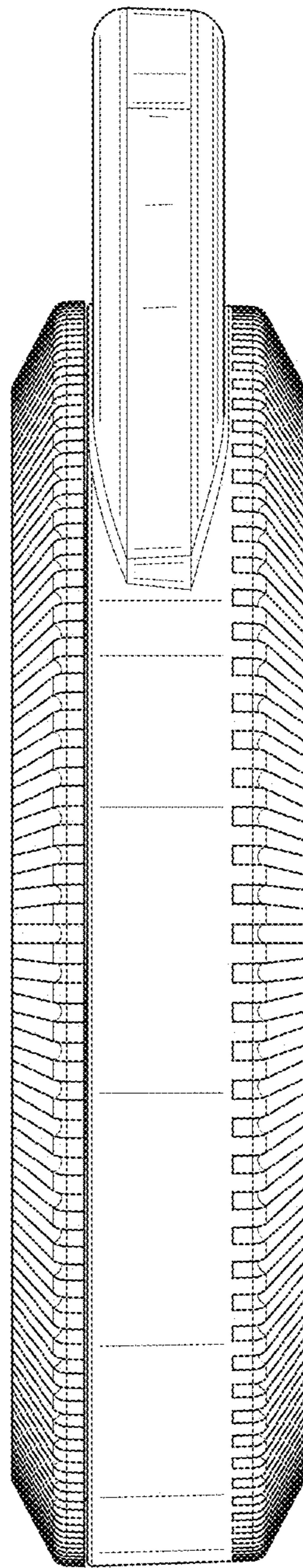


FIG. 6

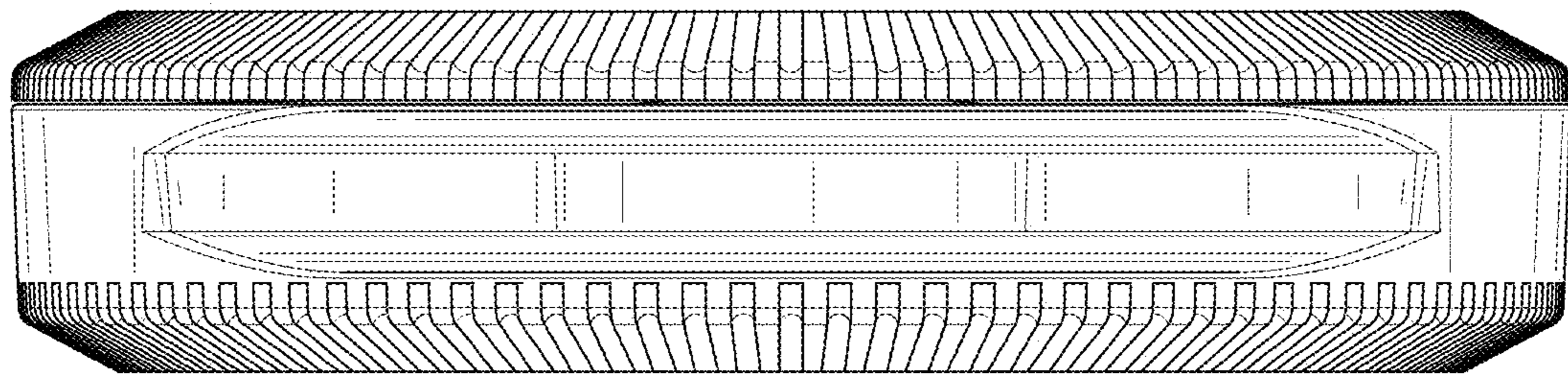


FIG. 7

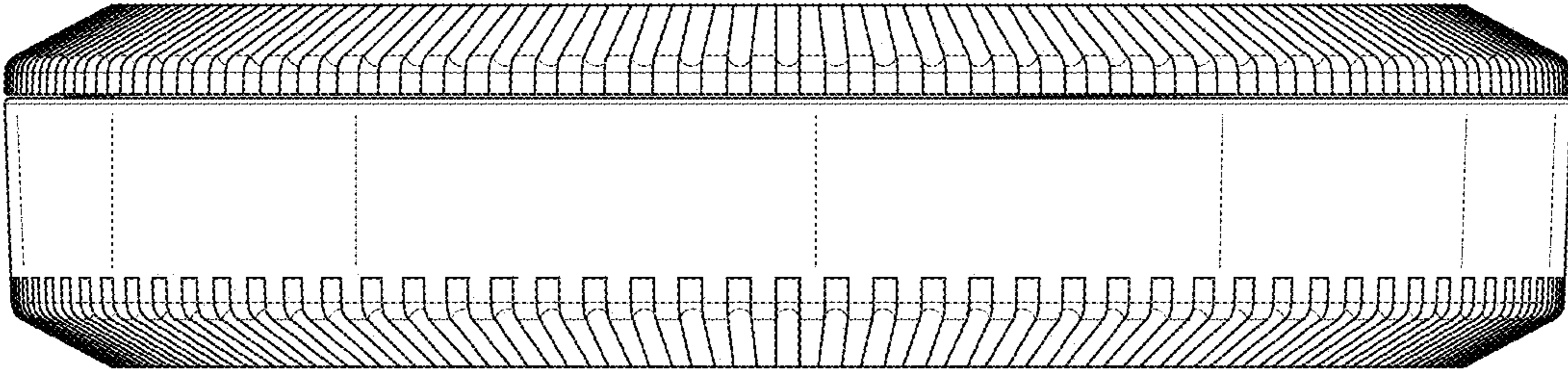


FIG. 8

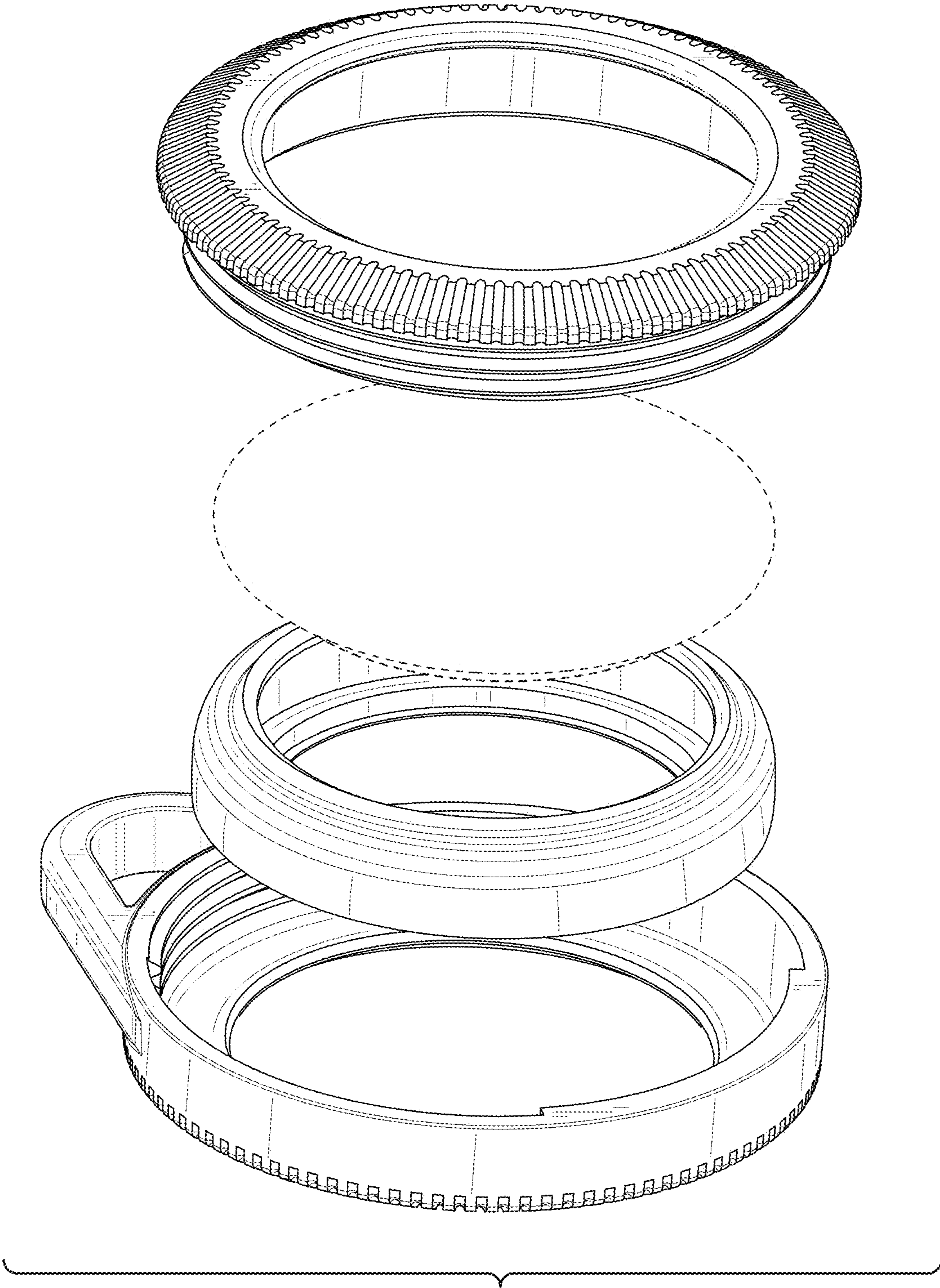


FIG. 9

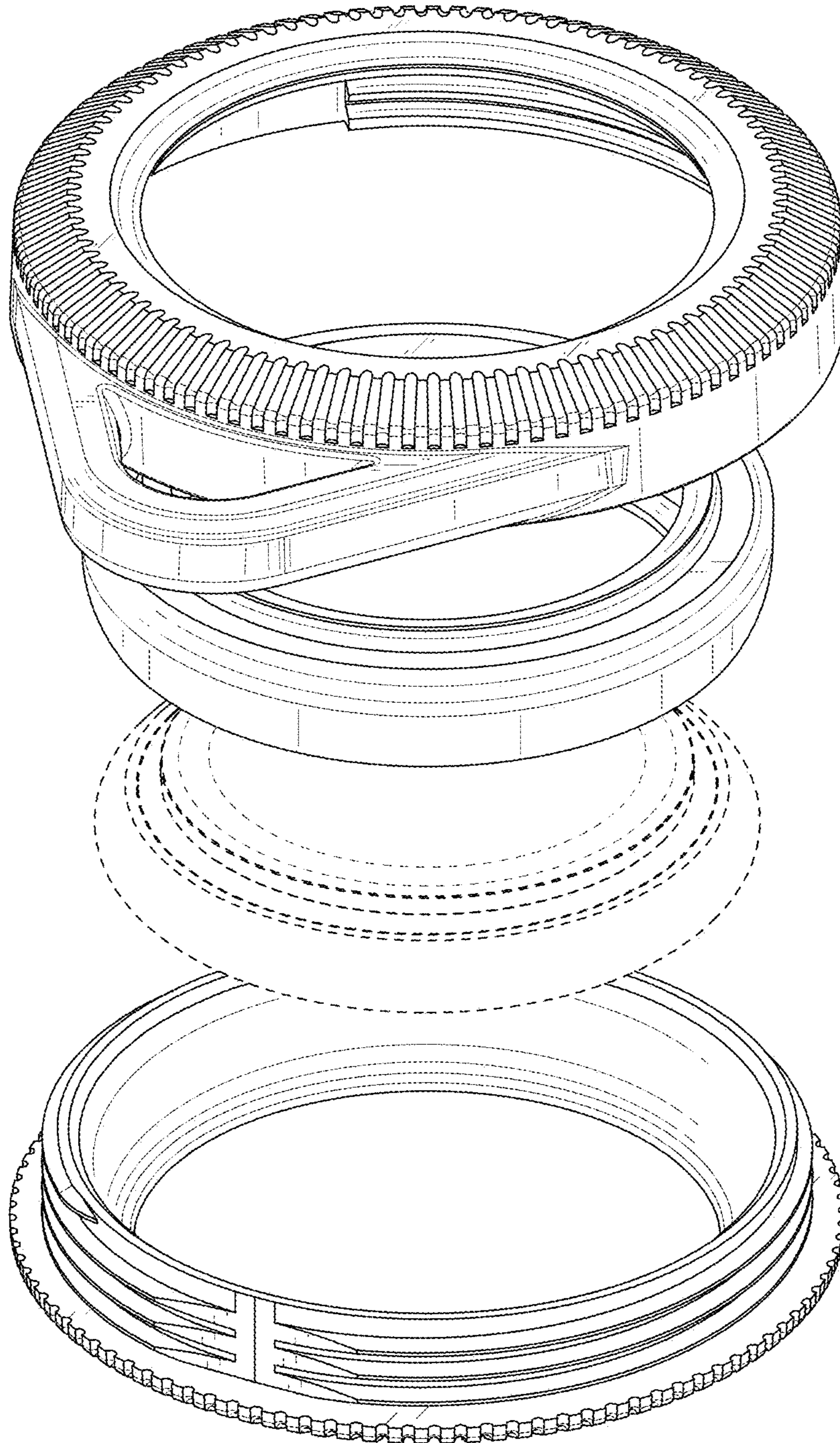


FIG. 10

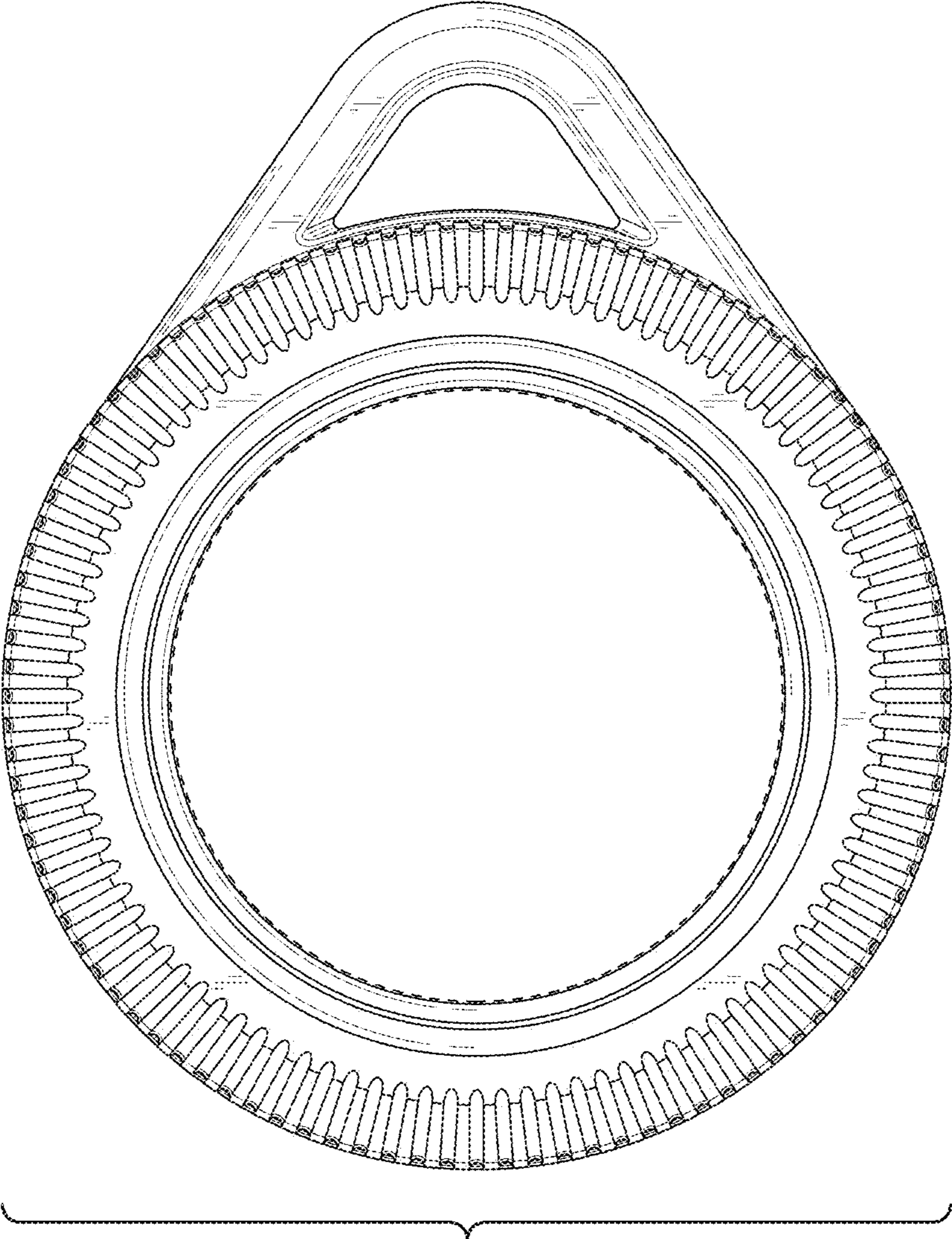


FIG. 11

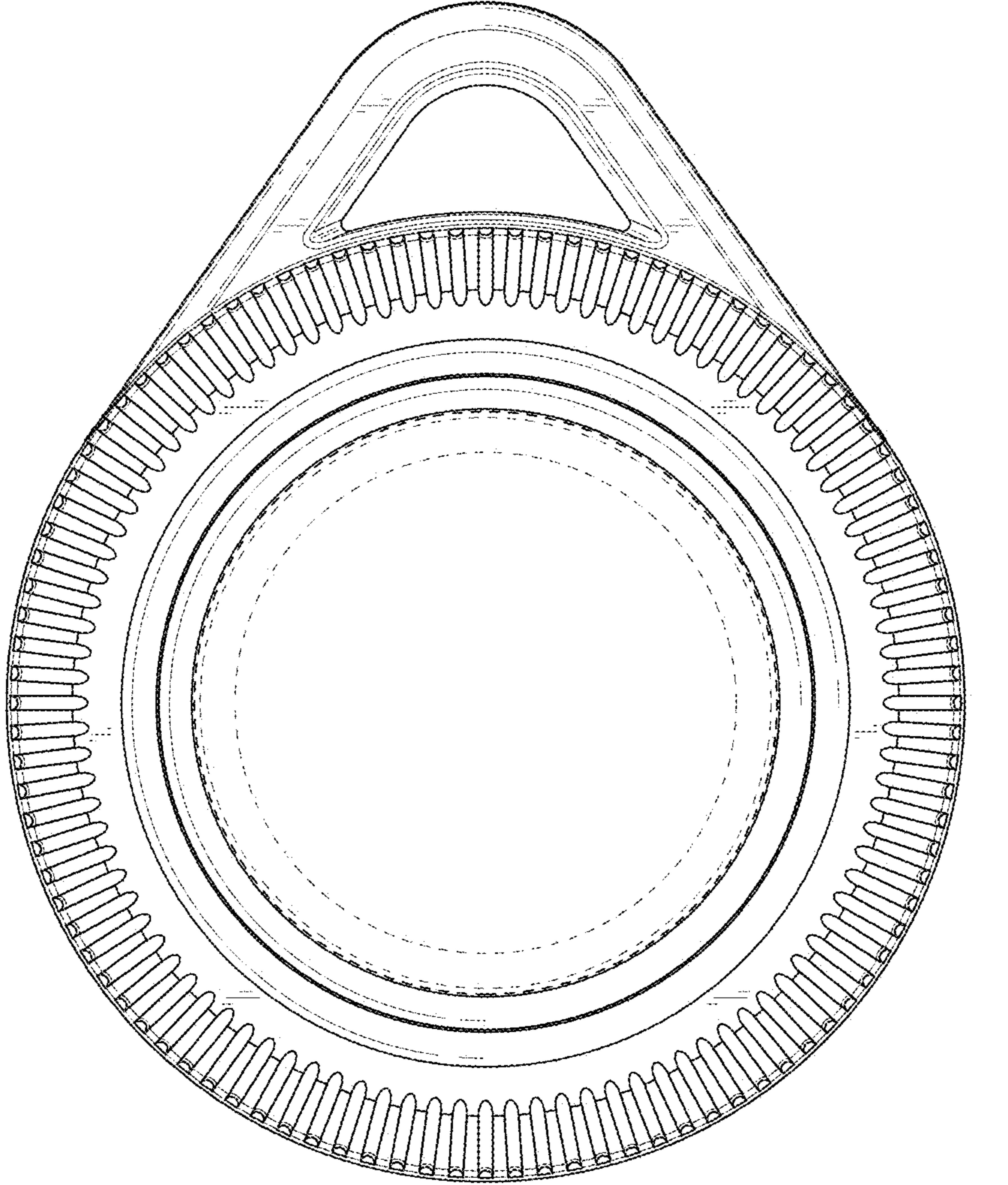


FIG. 12

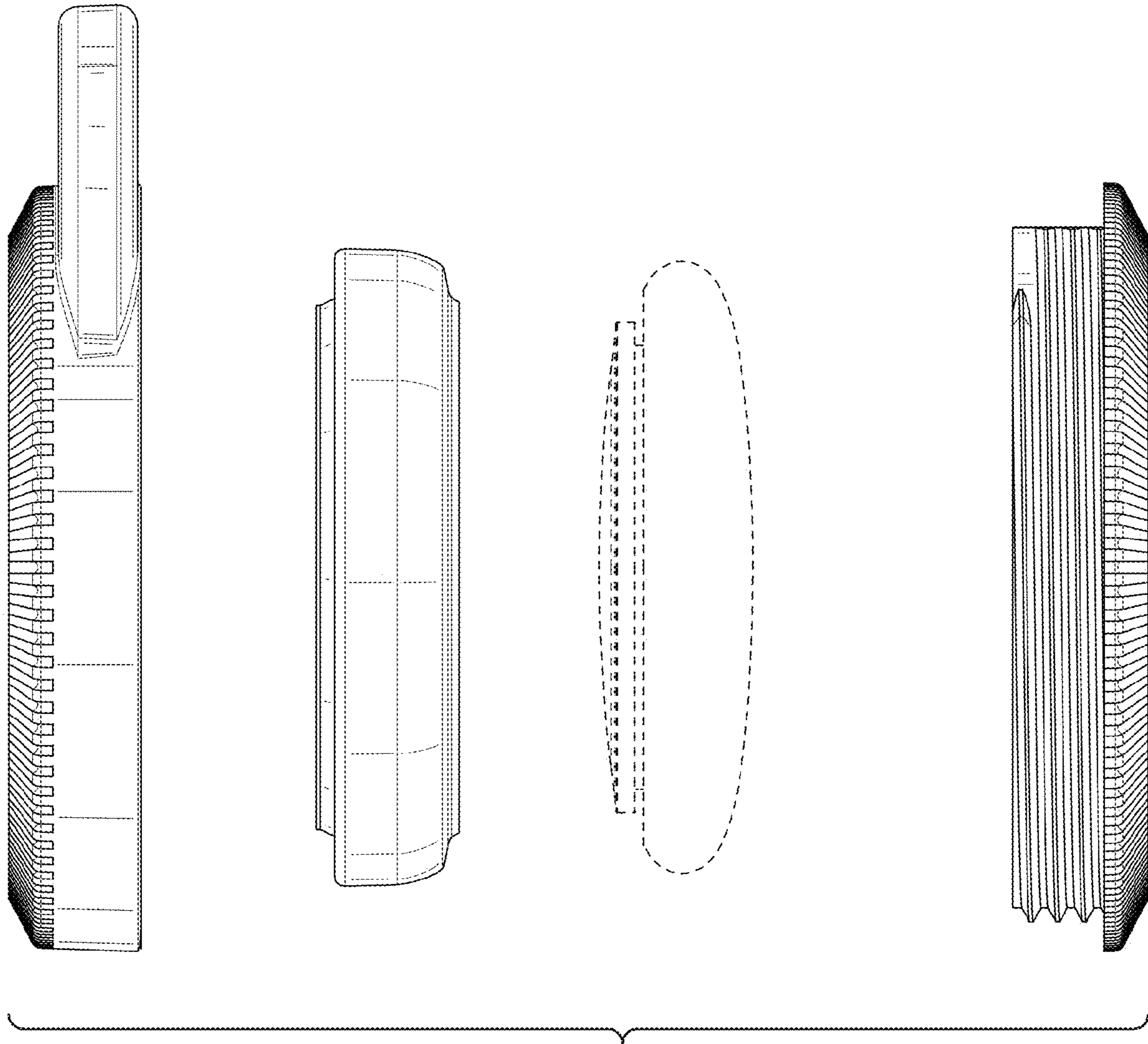


FIG. 13

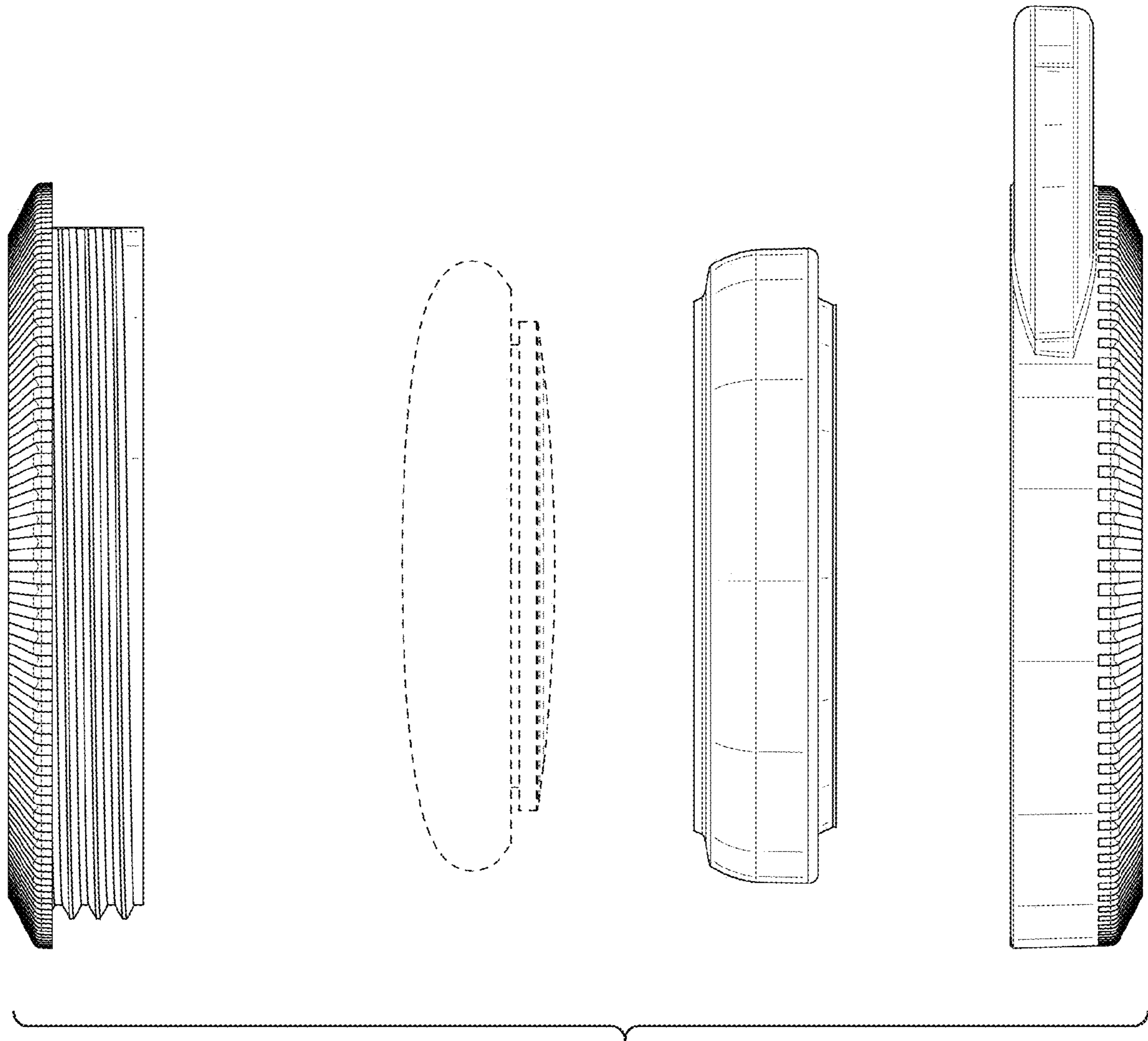


FIG. 14

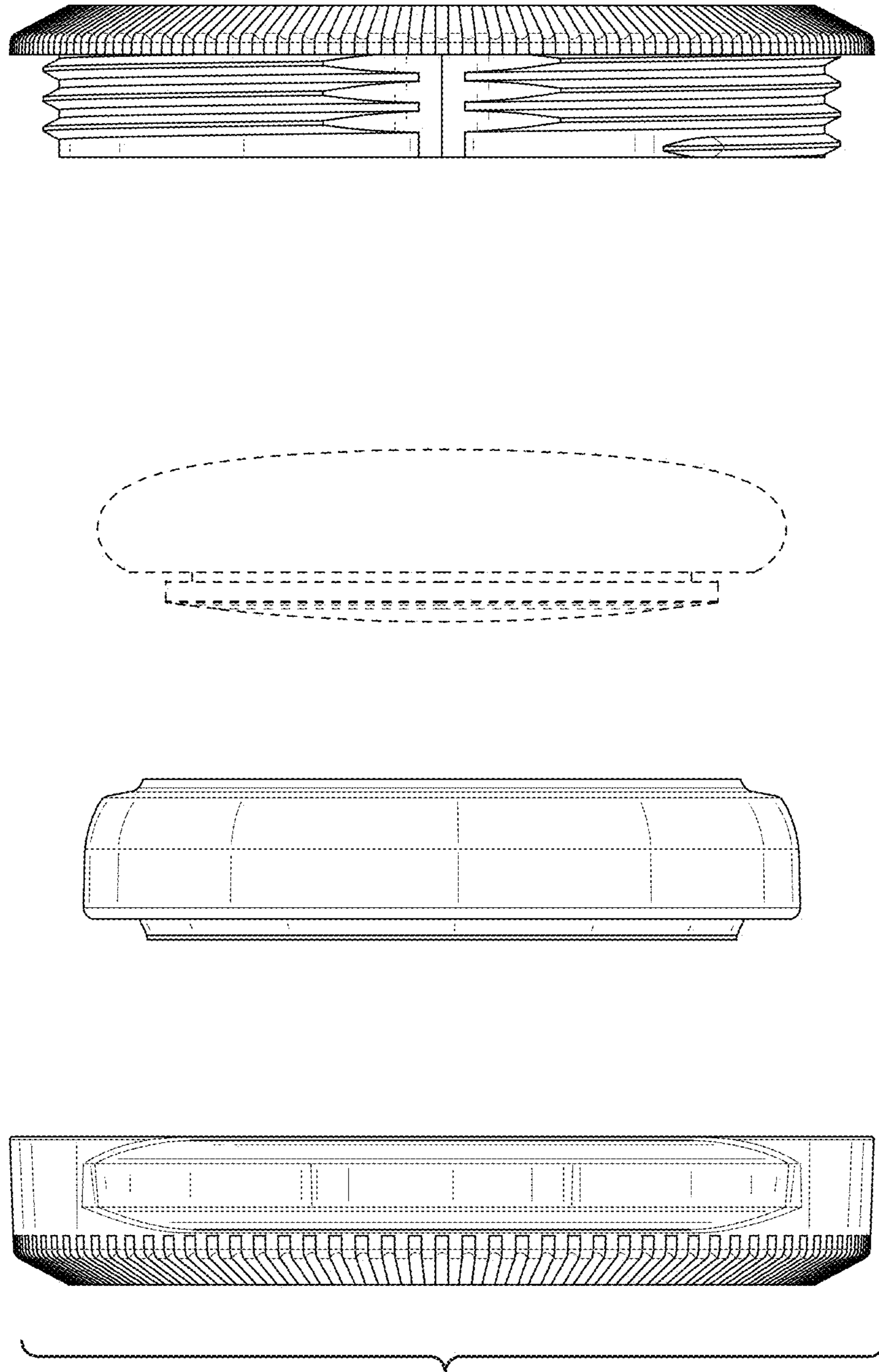


FIG. 15

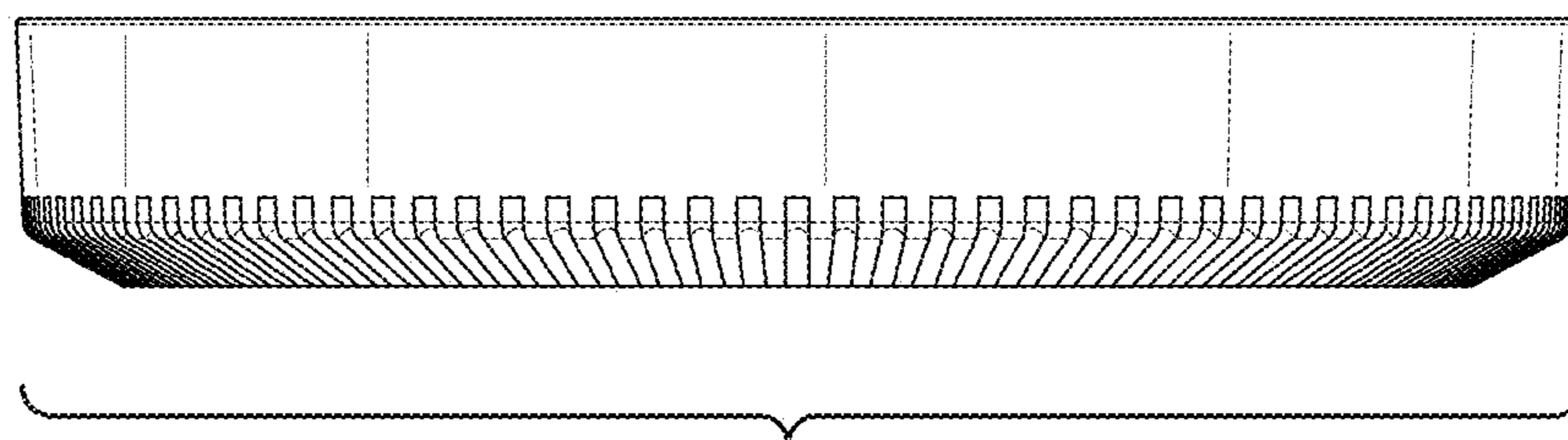
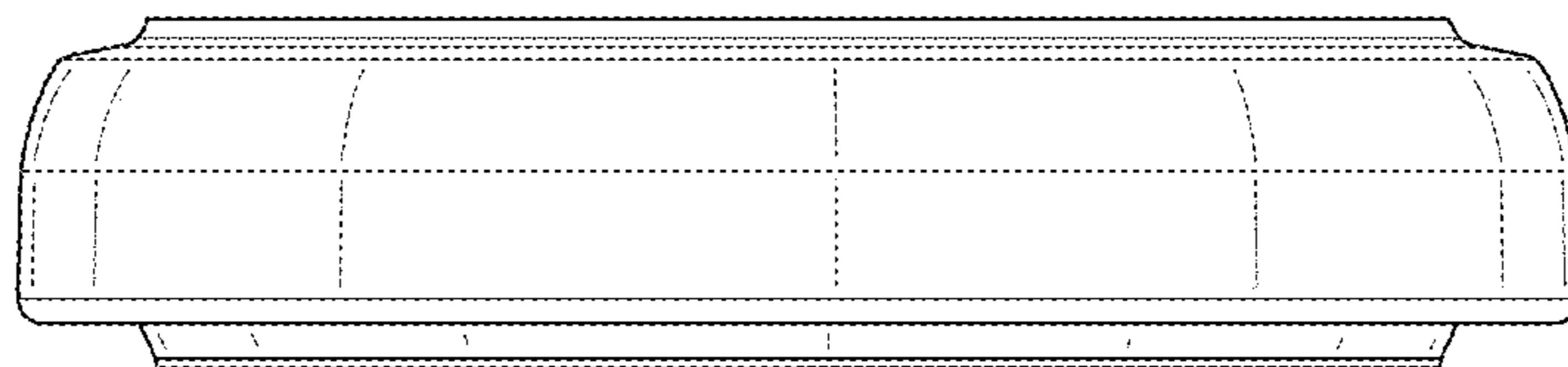
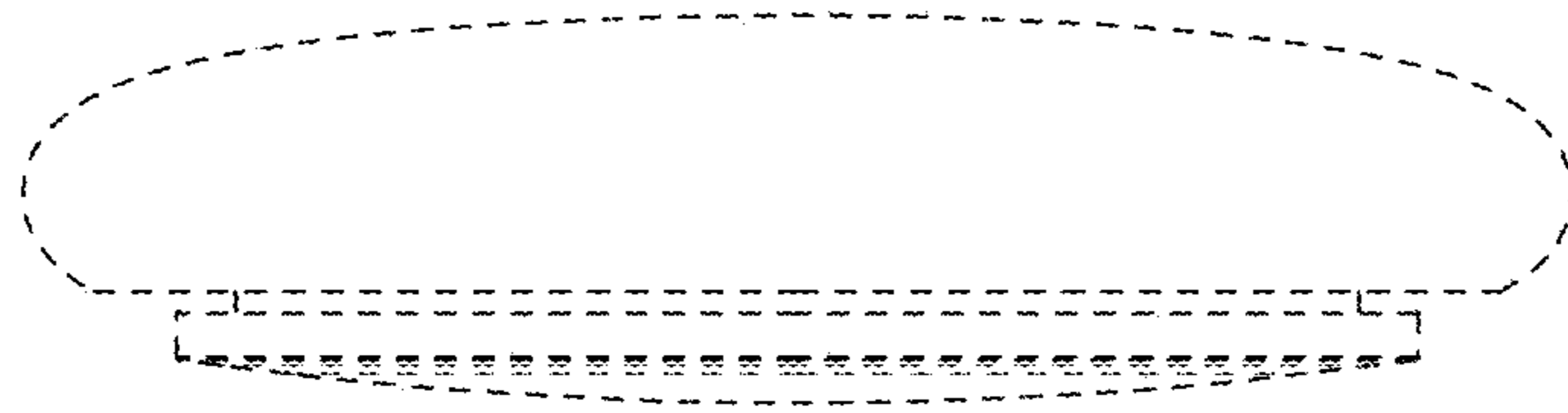
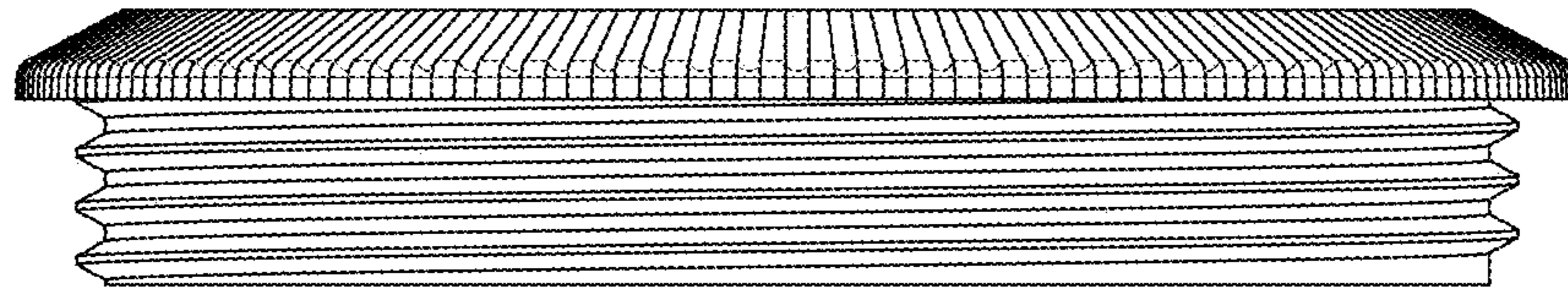


FIG. 16