



US00D983065S

(12) **United States Design Patent**
Wright et al.

(10) **Patent No.:** **US D983,065 S**
(45) **Date of Patent:** **** Apr. 11, 2023**

(54) **PROTECTIVE CASE FOR ELECTRONIC TRACKING DEVICE**

(71) Applicant: **Catalyst Lifestyle Limited**, North Point (HK)

(72) Inventors: **Joshua Wright**, Hong Kong (CN);
June Lai, Hong Kong (CN)

(73) Assignee: **CATALYST LIFESTYLE LIMITED**, North Point (HK)

(**) Term: **15 Years**

(21) Appl. No.: **29/801,946**

(22) Filed: **Aug. 2, 2021**

(51) **LOC (14) Cl.** **10-06**

(52) **U.S. Cl.**
USPC **D10/121**

(58) **Field of Classification Search**
USPC D10/70, 97, 103, 104.1, 104.2, 106.1,
D10/106.6, 106.9, 106.94, 121; D3/201,
(Continued)

(56) **References Cited**

U.S. PATENT DOCUMENTS

2,511,651 A 6/1950 Schlitz
3,407,523 A 10/1968 Winston
(Continued)

OTHER PUBLICATIONS

U.S. Office Action dated Nov. 10, 2022 pertaining to U.S. Appl. No. 29/801,947, filed Aug. 2, 2021, 7 pages.

Primary Examiner — George D. Kirschbaum

Assistant Examiner — Lillian Windham

(74) *Attorney, Agent, or Firm* — Dinsmore & Shohl LLP

(57) **CLAIM**

The ornamental design for a protective case for electronic tracking device, as shown and described.

DESCRIPTION

FIG. 1 is a perspective view including the front, top, and side of a protective case for electronic tracking device showing our new design.

FIG. 2 is a perspective view including the rear, bottom, and the opposite side of the protective case for electronic tracking device of FIG. 1;

FIG. 3 is a front elevation view of the protective case for electronic tracking device of FIG. 1;

FIG. 4 is a rear elevation view of the protective case for electronic tracking device of FIG. 1;

FIG. 5 is a side elevation of the protective case for electronic tracking device of FIG. 1;

FIG. 6 is an opposite side elevation view of the protective case for electronic tracking device of FIG. 1;

FIG. 7 is a top plan view of the protective case for electronic tracking device of FIG. 1;

FIG. 8 is a bottom plan view of the protective case for electronic tracking device of FIG. 1;

FIG. 9 is a perspective view including the front, top, and side of a protective case for electronic tracking device shown in a configuration of use.

FIG. 10 is a perspective view including the rear, bottom, and the opposite side of the protective case for electronic tracking device of FIG. 9;

FIG. 11 is a front elevation view of the protective case for electronic tracking device of FIG. 9;

FIG. 12 is a rear elevation view of the protective case for electronic tracking device of FIG. 9;

FIG. 13 is a side elevation of the protective case for electronic tracking device of FIG. 9;

FIG. 14 is an opposite side elevation view of the protective case for electronic tracking device of FIG. 9;

FIG. 15 is a top plan view of the protective case for electronic tracking device of FIG. 9;

FIG. 16 is a bottom plan view of the protective case for electronic tracking device of FIG. 9;

(Continued)

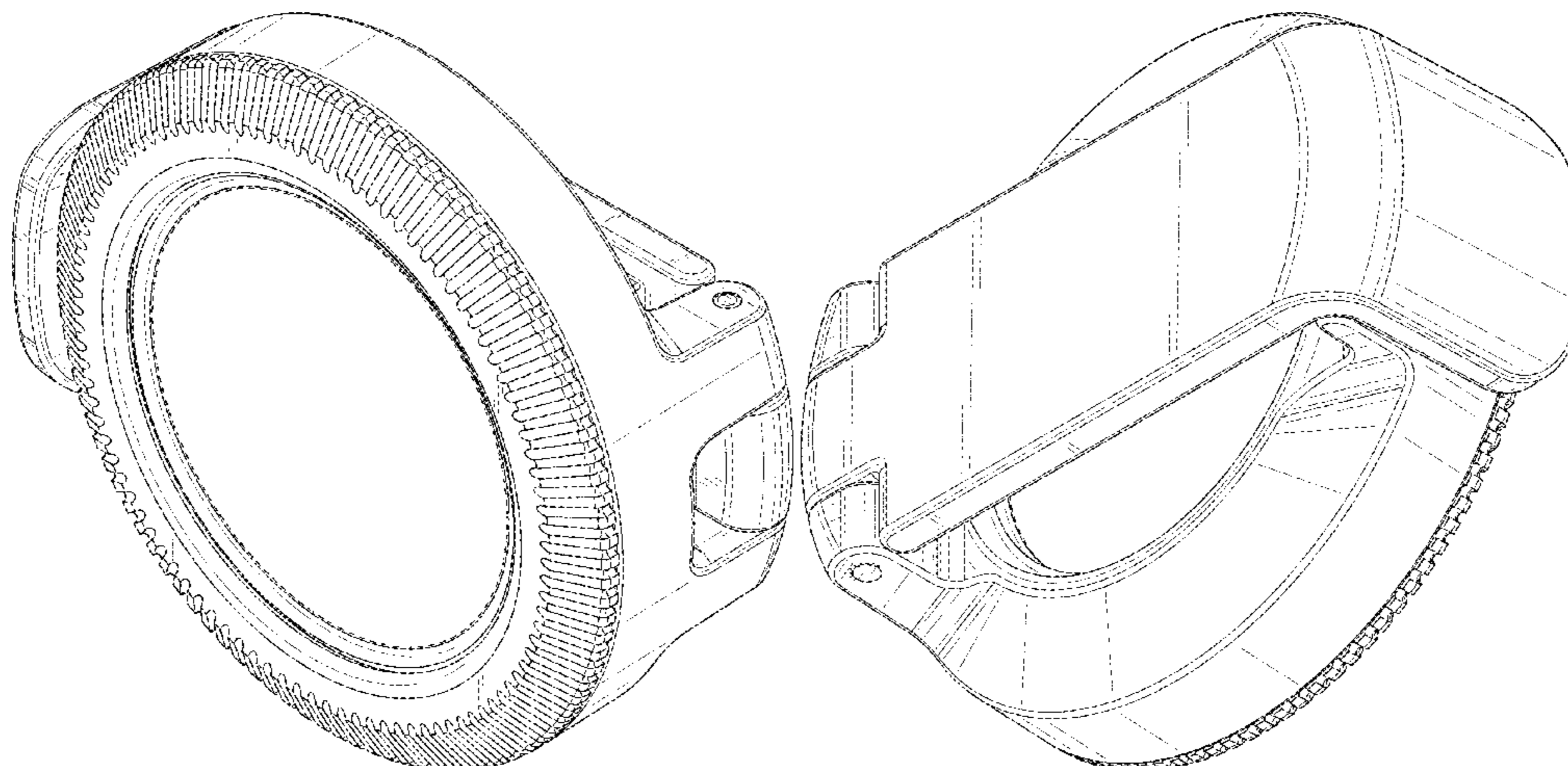


FIG. 17 is an exploded perspective view including the front, top, and side of a protective case for electronic tracking device.

FIG. 18 is an exploded perspective view including the rear, bottom and opposite side of a protective case for electronic tracking device.

FIG. 19 is an exploded front elevation view of the protective case for electronic tracking device;

FIG. 20 is an exploded rear elevation view of the protective case for electronic tracking device;

FIG. 21 is an exploded side elevation of the protective case for electronic tracking device;

FIG. 22 is and exploded opposite side elevation view of the protective case for electronic tracking device;

FIG. 23 is an exploded top plan view of the protective case for electronic tracking device; and,

FIG. 24 is an exploded bottom plan view of the protective case for electronic tracking device.

The dashed broken lines throughout the drawing figures depict portions of the protective case for electronic tracking device that form no part of the claimed design. The dot-dash broken line in FIGS. 17-24 represents the course along which the elements of the protective case are separated from each other.

1 Claim, 24 Drawing Sheets

(58) **Field of Classification Search**

USPC D3/203.2, 207, 208, 210, 215, 218, 229,
D3/273; D11/78.1, 80, 221; D14/192,
D14/203.1, 203.6, 216, 251, 253, 344;
D30/155
CPC G08B 13/2434; G08B 21/0291; E05B
73/0023; E05B 73/0041
See application file for complete search history.

(56)

References Cited

U.S. PATENT DOCUMENTS

D389,999	S	2/1998	Daigle	
D390,493	S *	2/1998	Fletcher	D11/78.1
D431,341	S	9/2000	DiPaolo	
D456,986	S	5/2002	Truisi	
D463,104	S	9/2002	Ames	
D519,057	S	4/2006	Gracer	
D526,916	S *	8/2006	Oas	D10/70
D596,514	S	7/2009	Luzar	
D619,499	S	7/2010	Weyer	
D625,761	S	10/2010	Pavlik	
D630,112	S *	1/2011	Maruyama	D10/70
D647,810	S	11/2011	Bohrer	
D666,112	S *	8/2012	Chang	D10/70
D683,251	S	5/2013	Dumas	
D709,344	S	7/2014	Adelman	
D717,537	S	11/2014	Tsai	
D728,393	S *	5/2015	Au Yeung	D10/70
D730,225	S *	5/2015	Behar	D10/103
D735,607	S	8/2015	Oberwelz	
D751,558	S *	3/2016	Lee	D10/103
D799,297	S	10/2017	Manor	
D807,215	S *	1/2018	Martin	D10/104.1
D834,303	S	11/2018	Paz	
D834,771	S *	11/2018	Theno	D30/155
D877,113	S	3/2020	Jin	
D890,021	S	7/2020	Burke	
D904,386	S *	12/2020	Luo	D3/218
D919,890	S *	5/2021	Chung	D3/215
D934,817	S	11/2021	Svärd	
D936,365	S	11/2021	Chun	
D936,504	S	11/2021	Dick	
D938,254	S	12/2021	Ormsbee	
D951,912	S	5/2022	Lin	
D954,039	S *	6/2022	Liu	D14/253
D960,017	S	8/2022	Wu	
D960,146	S *	8/2022	Song	D14/253
D962,632	S	9/2022	Liu	

* cited by examiner

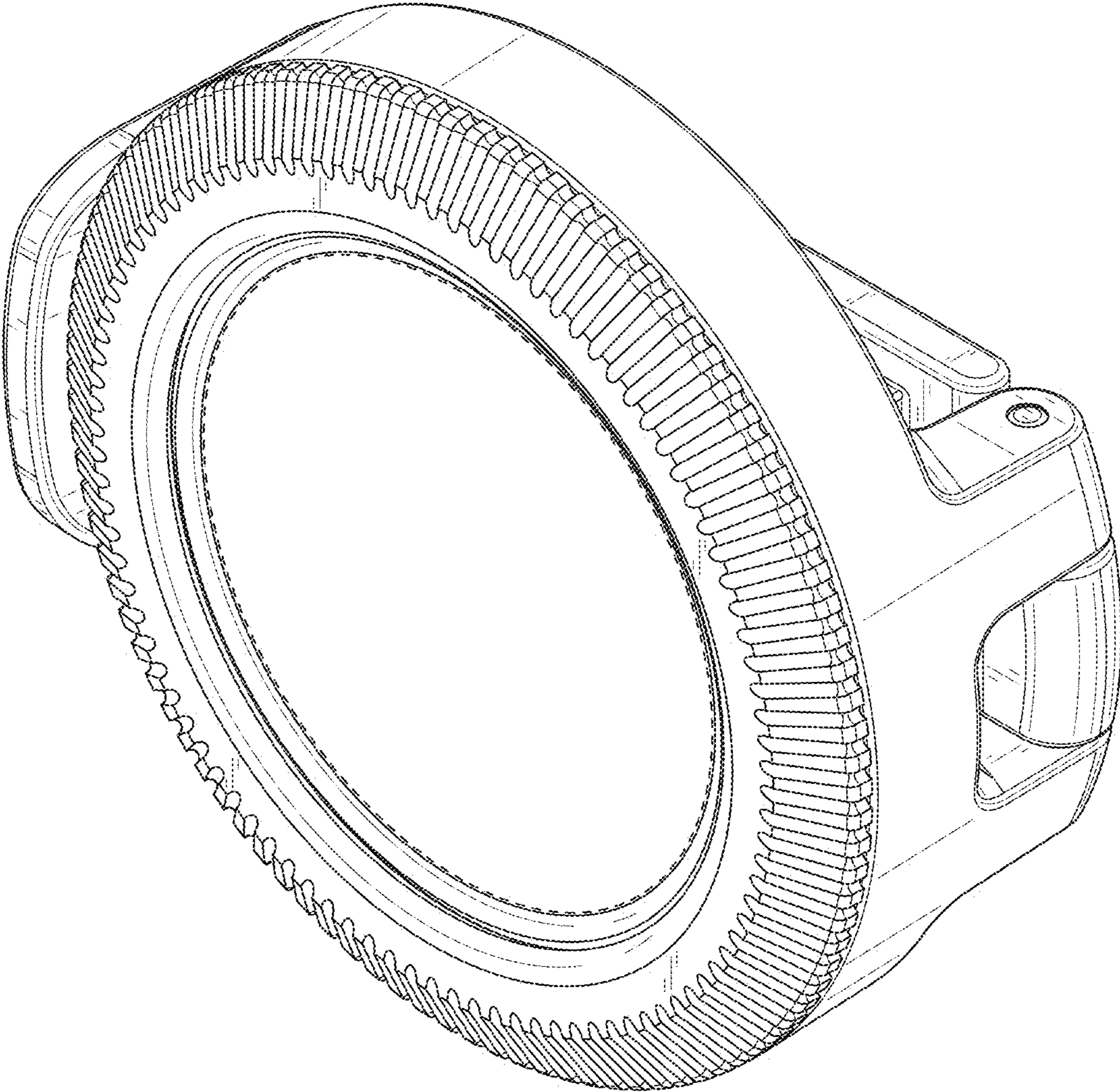


FIG. 1

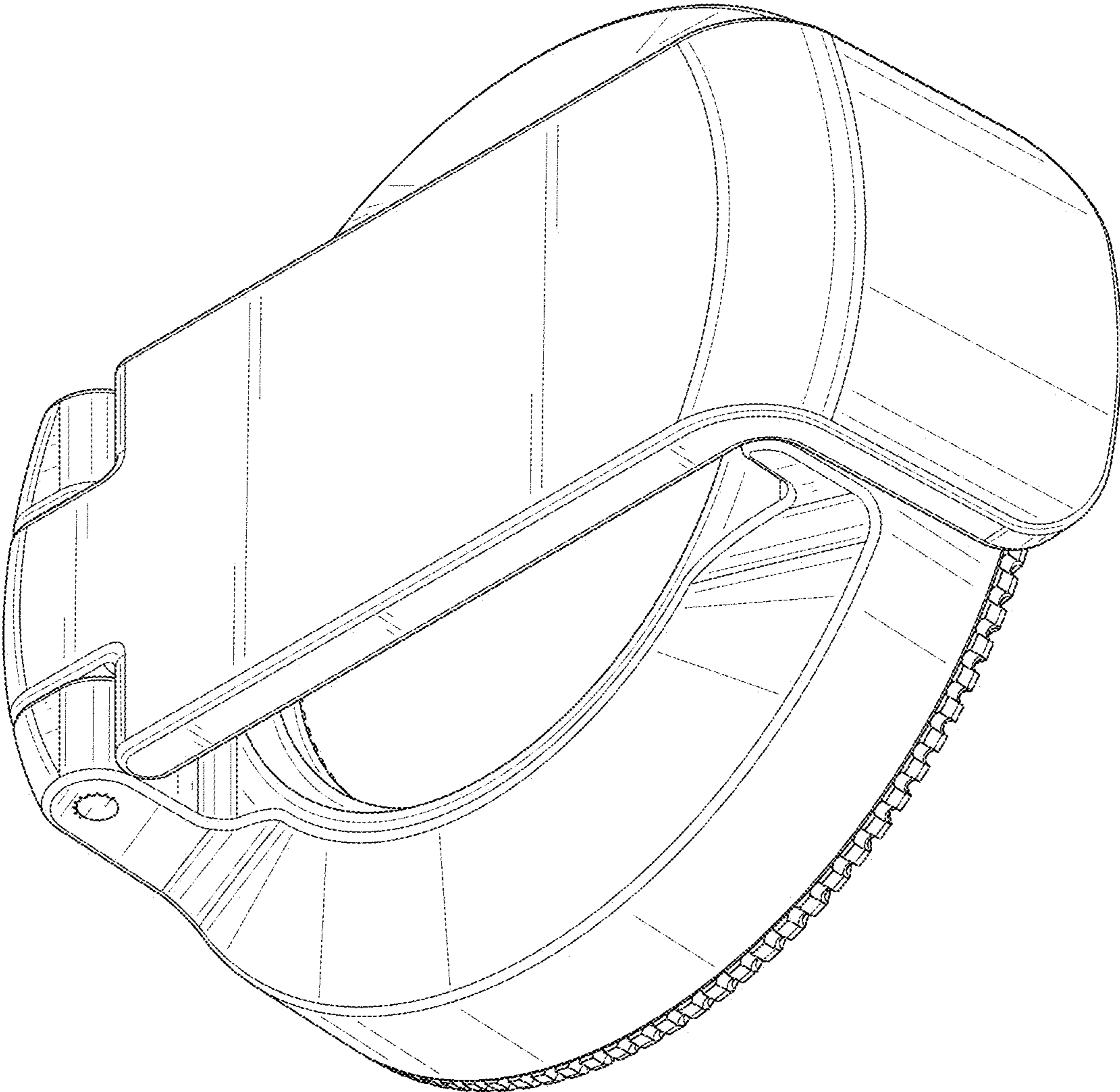


FIG. 2

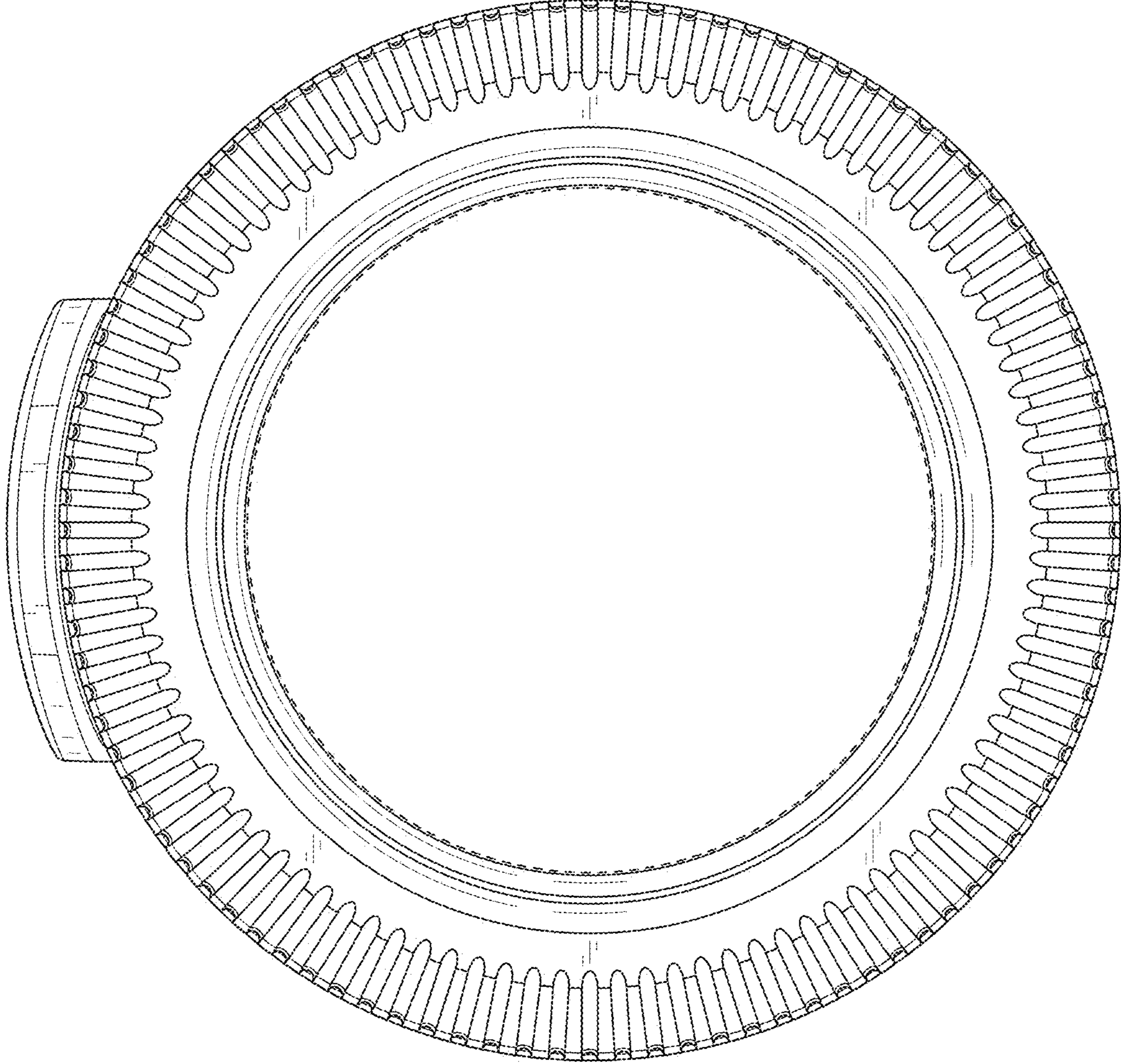


FIG. 3

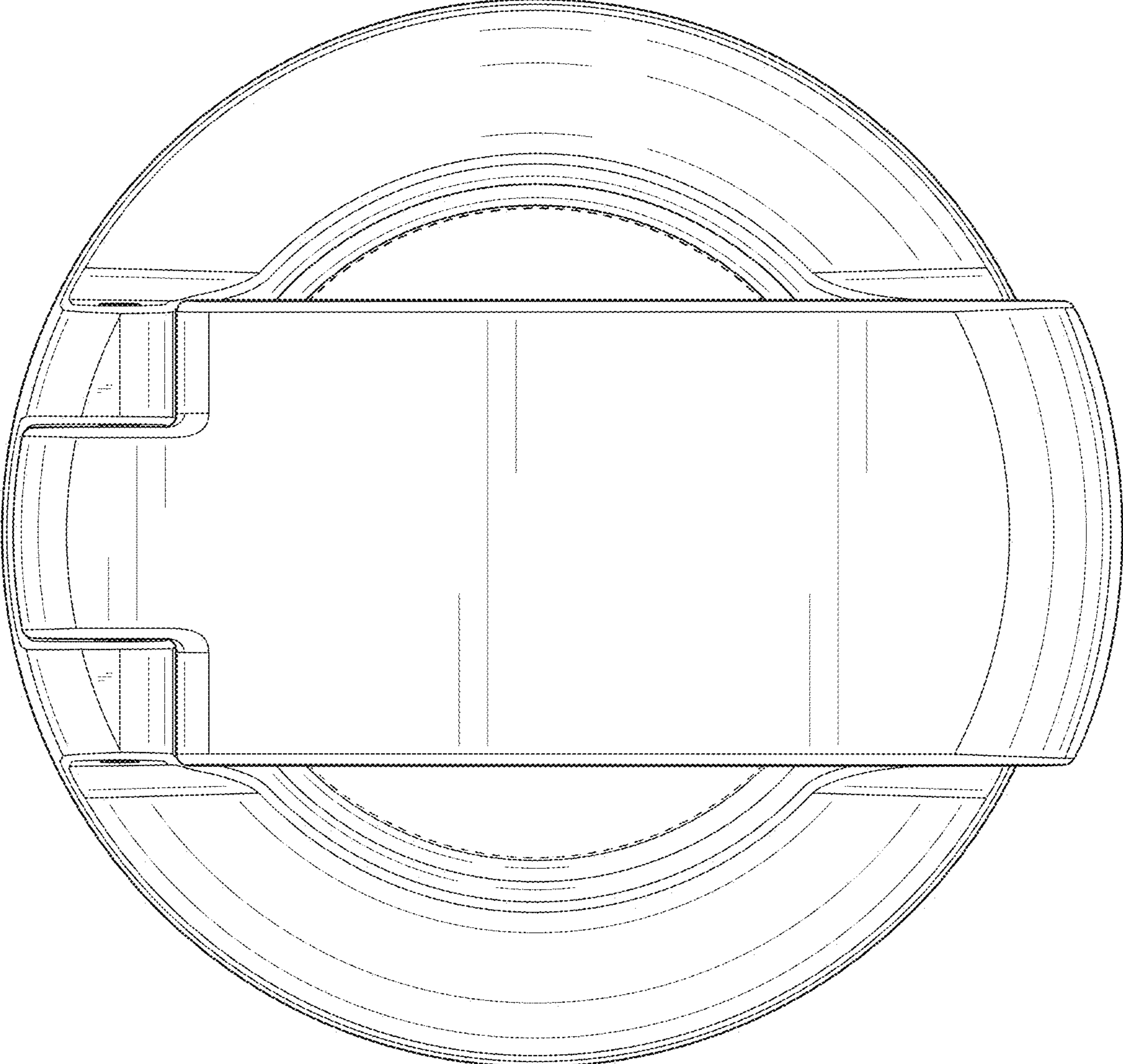


FIG. 4

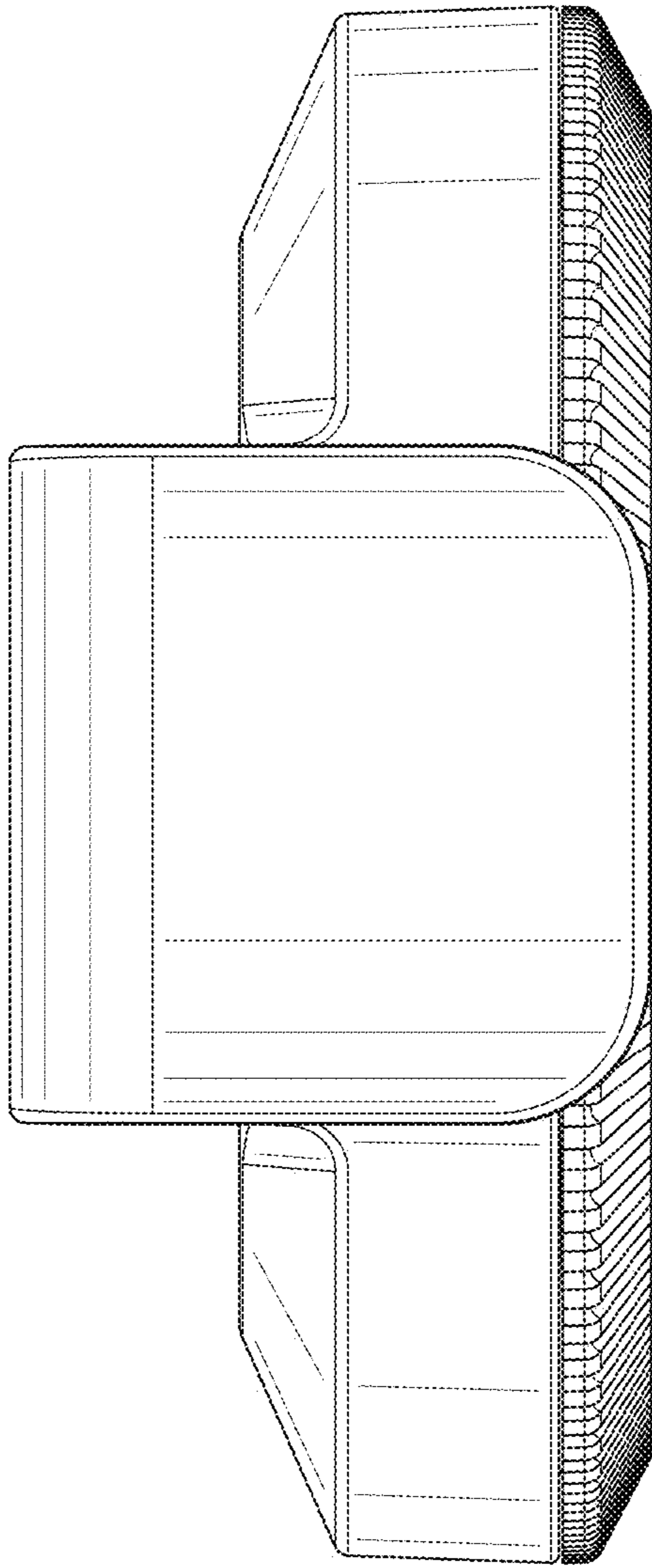


FIG. 5

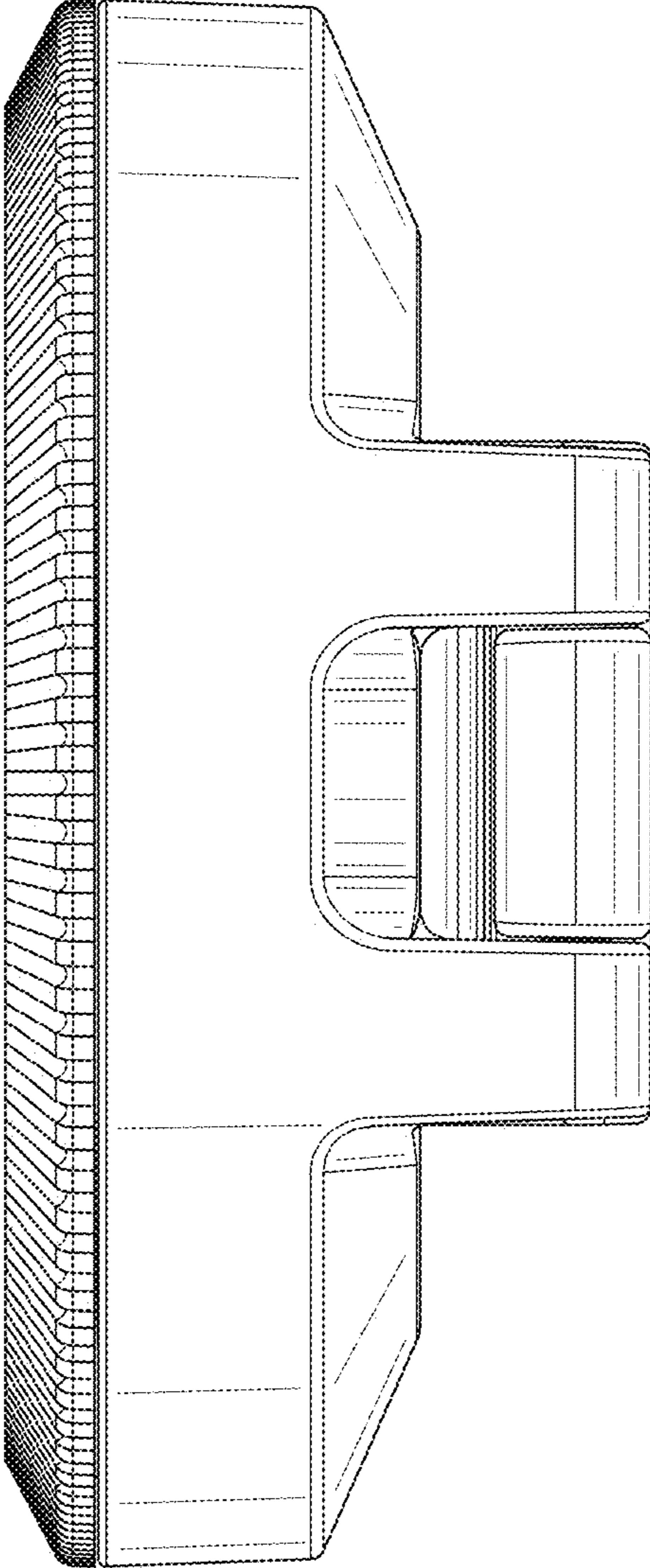


FIG. 6

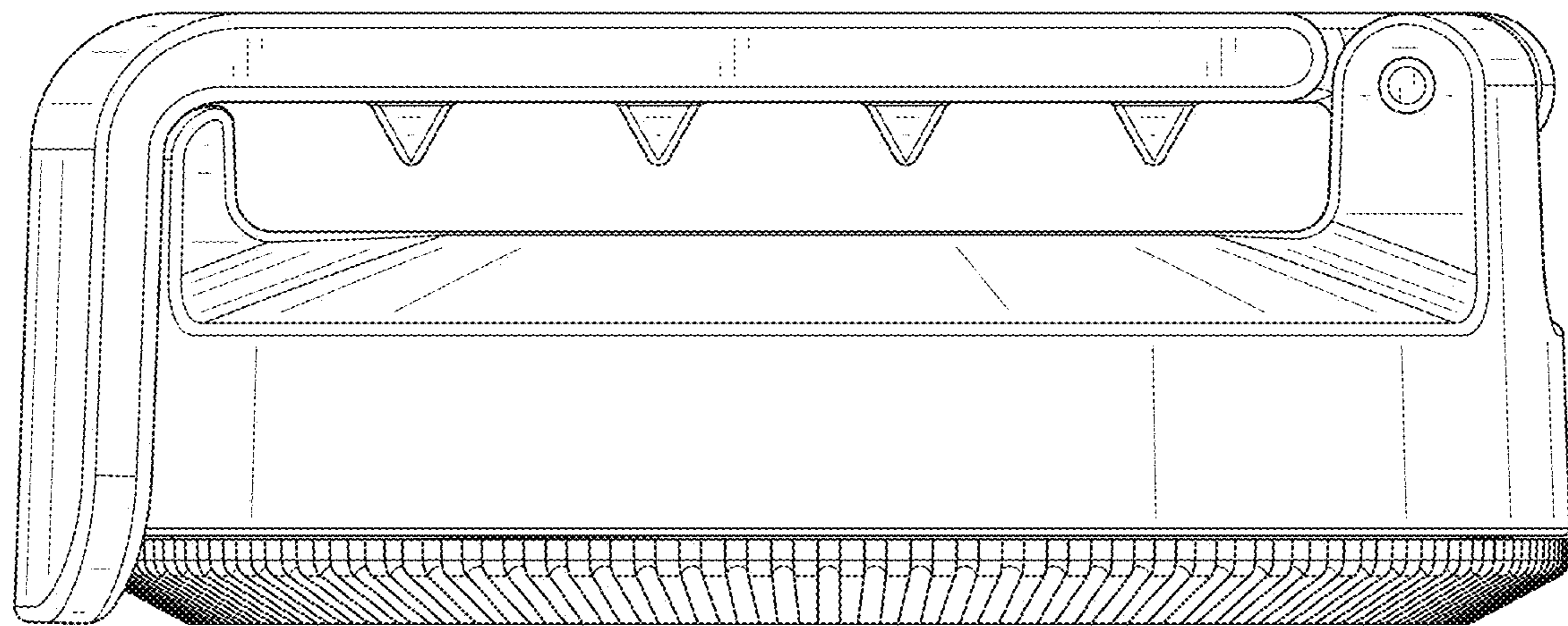


FIG. 7

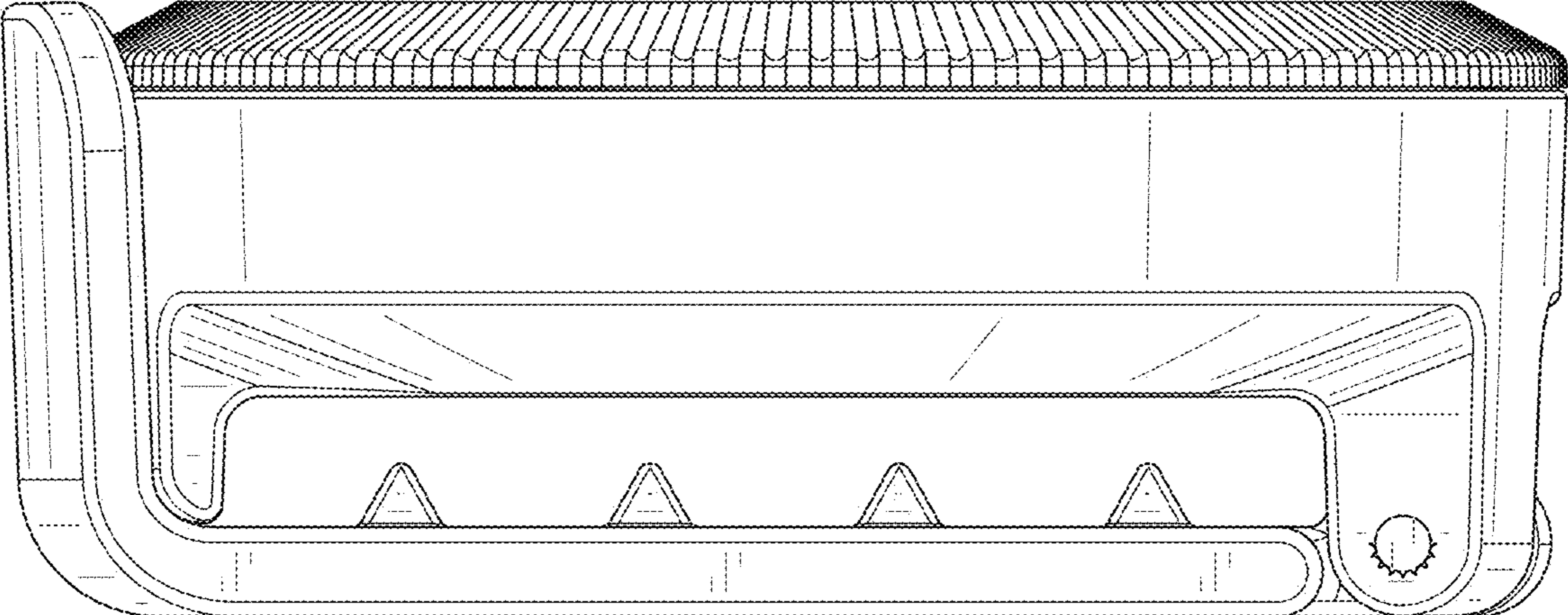


FIG. 8

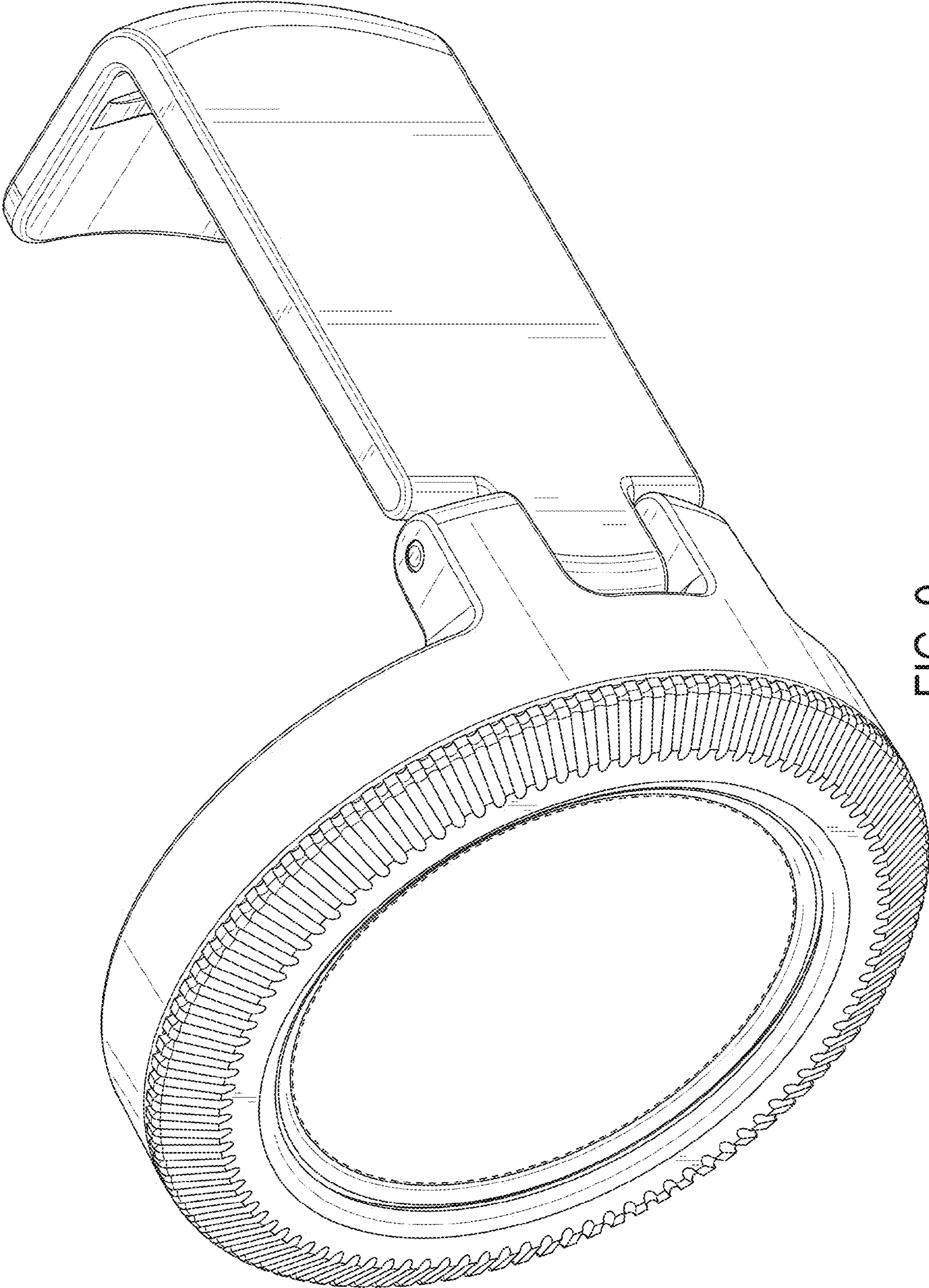


FIG. 9

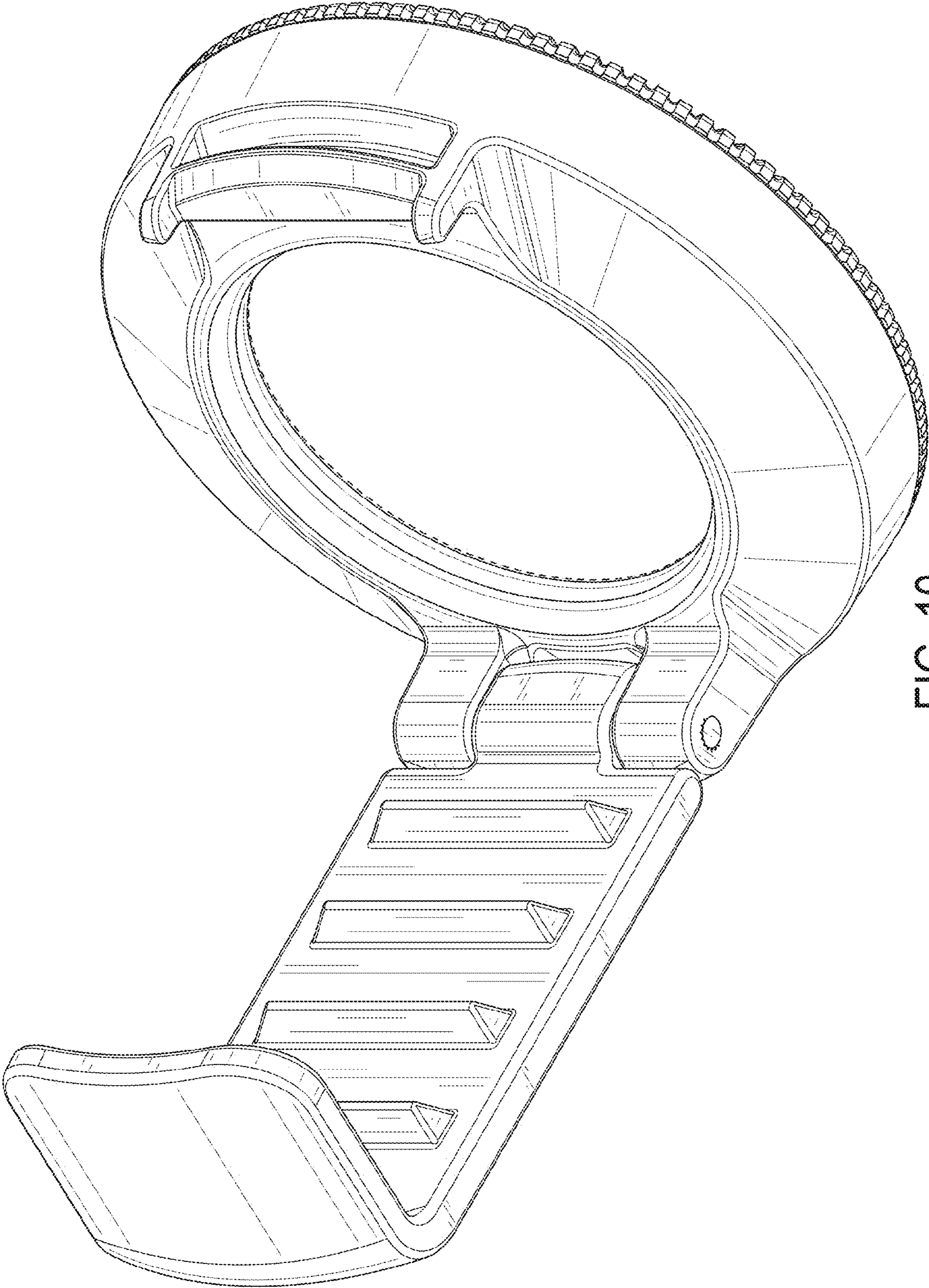


FIG. 10

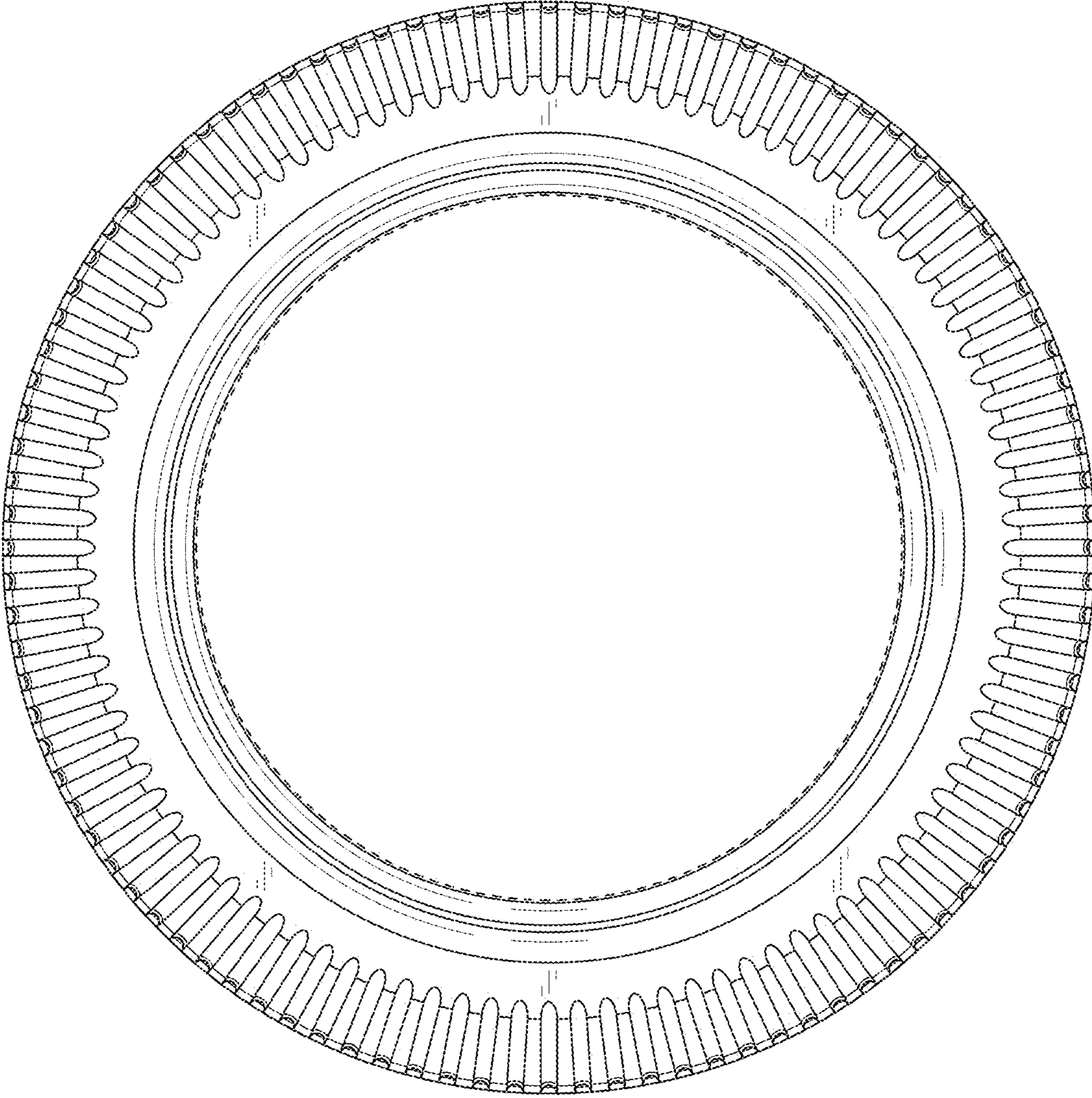


FIG. 11

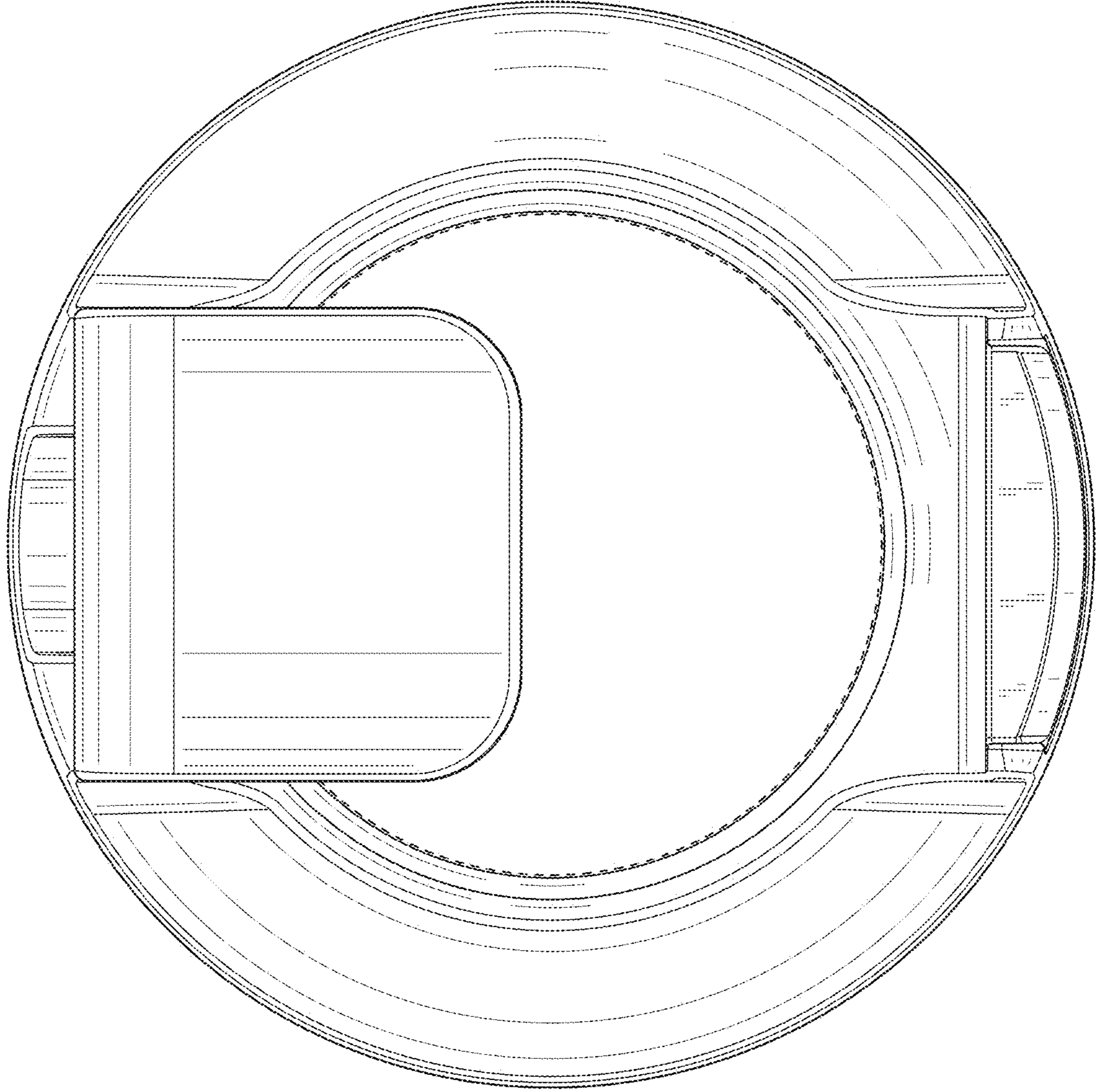


FIG. 12

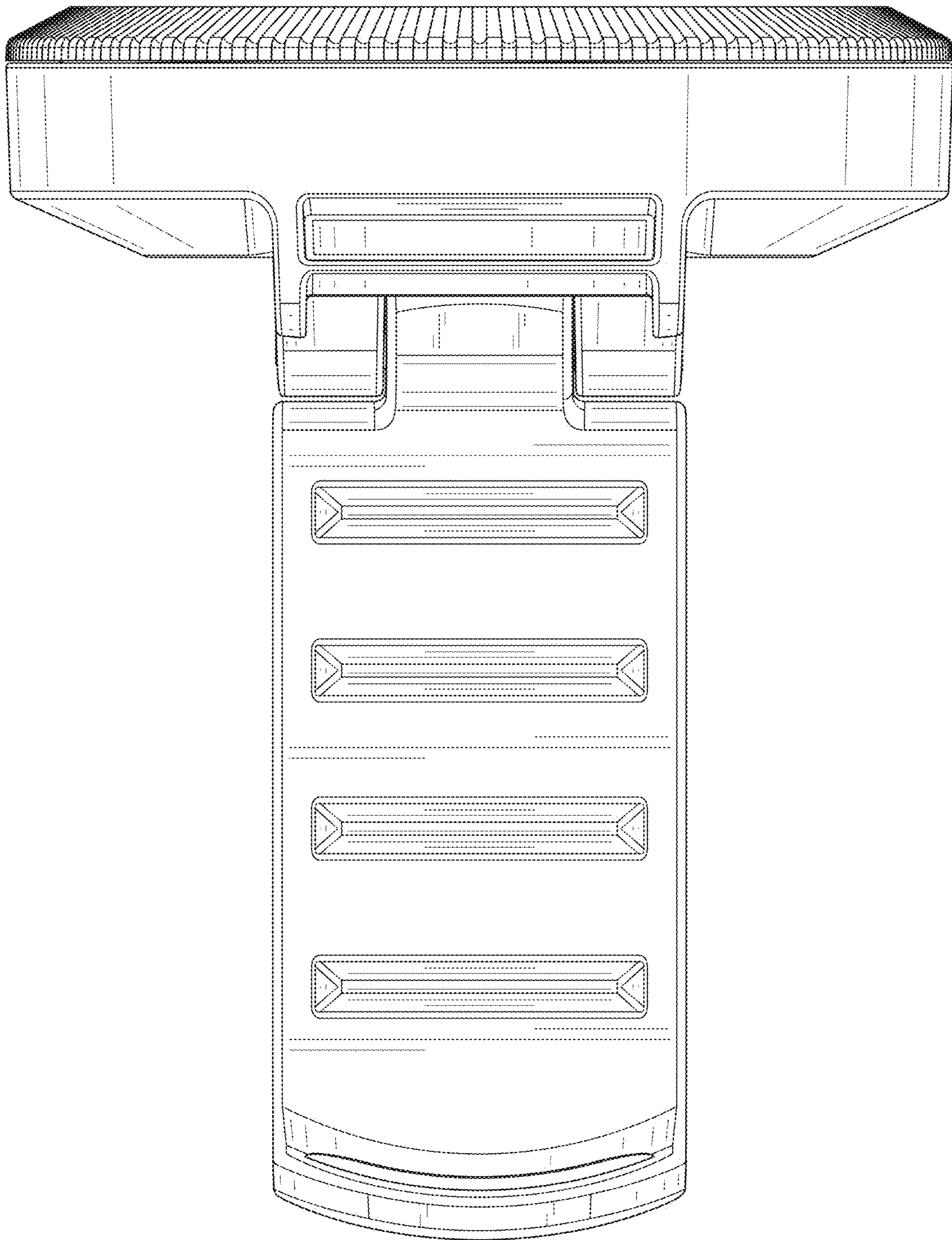


FIG. 13

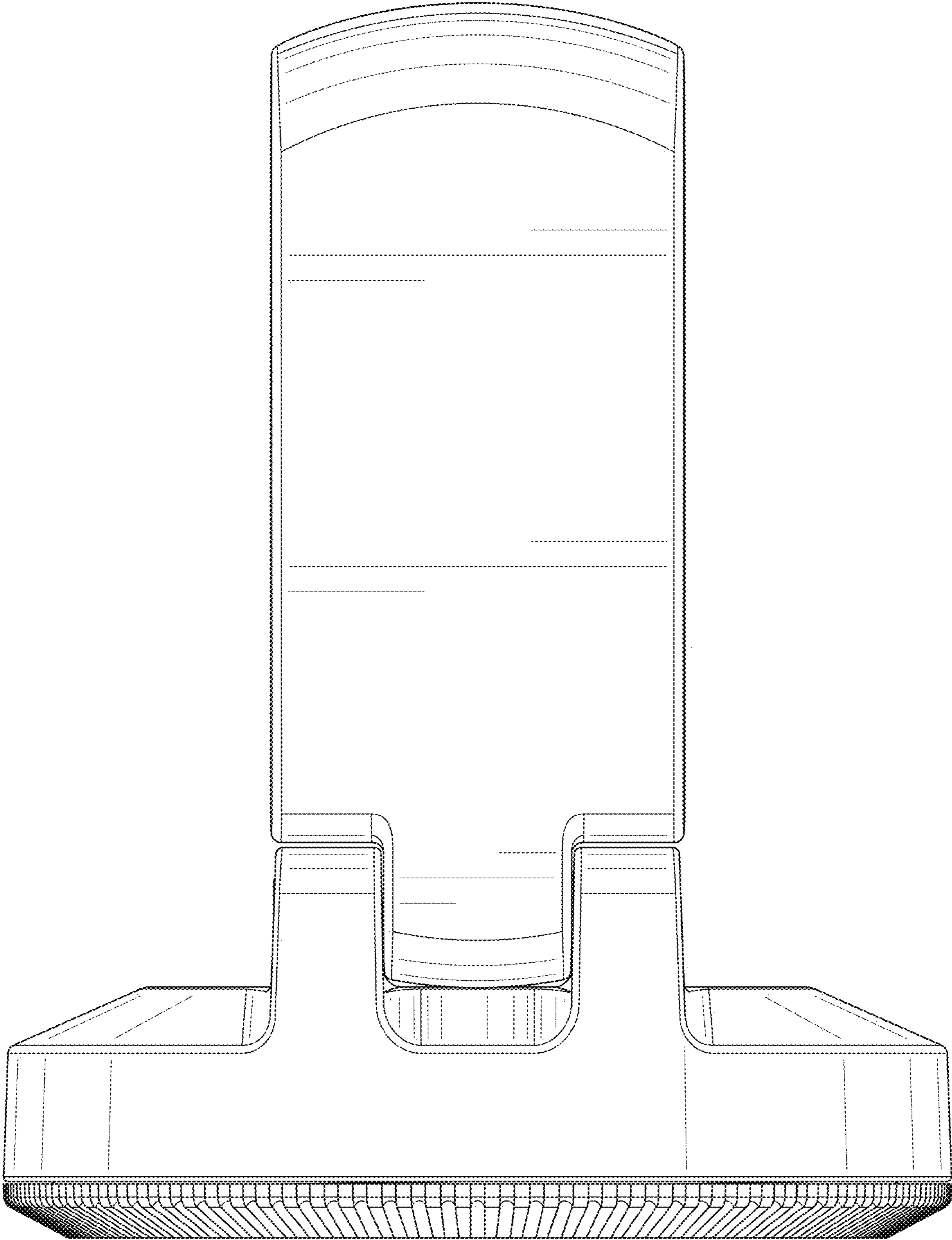


FIG. 14

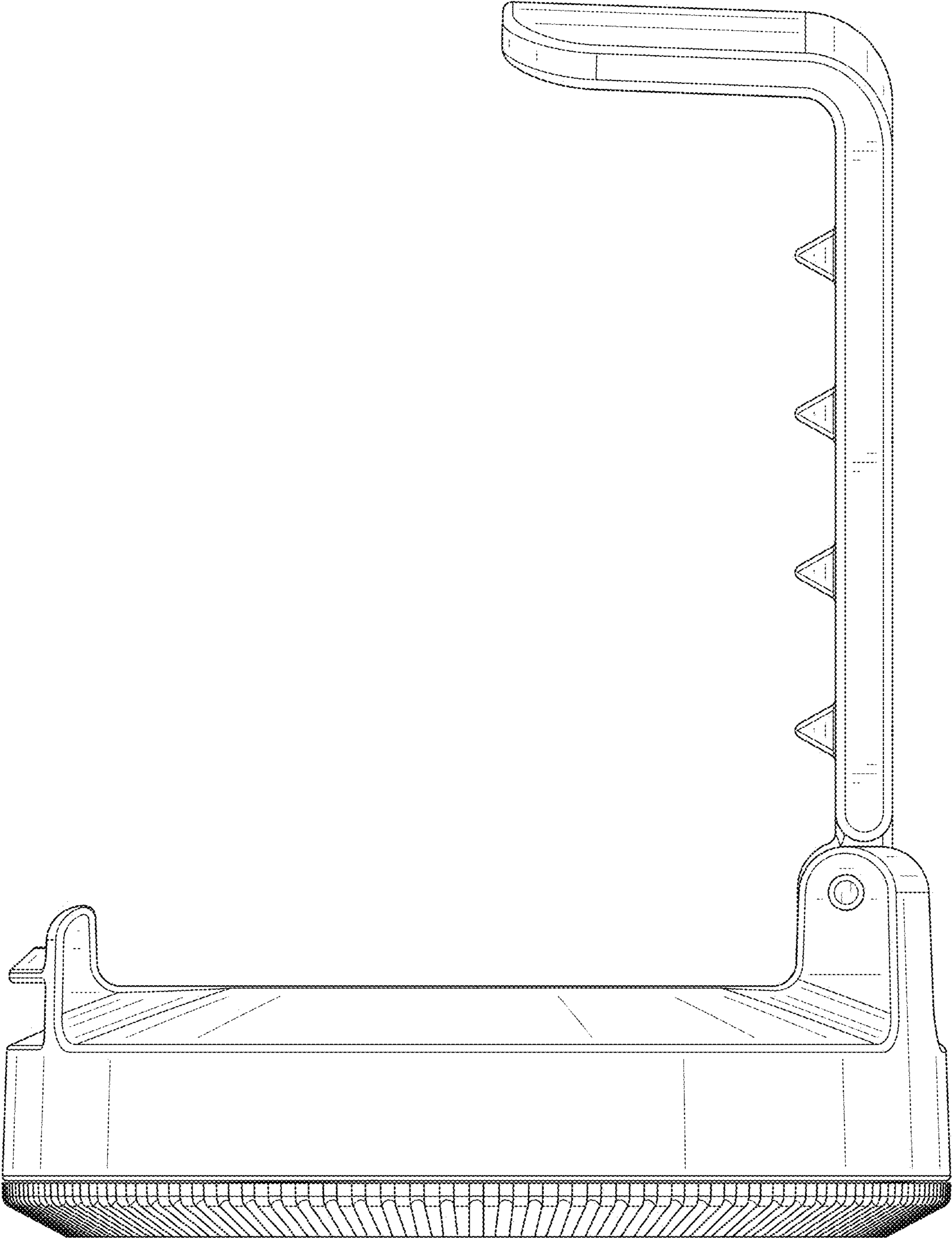


FIG. 15

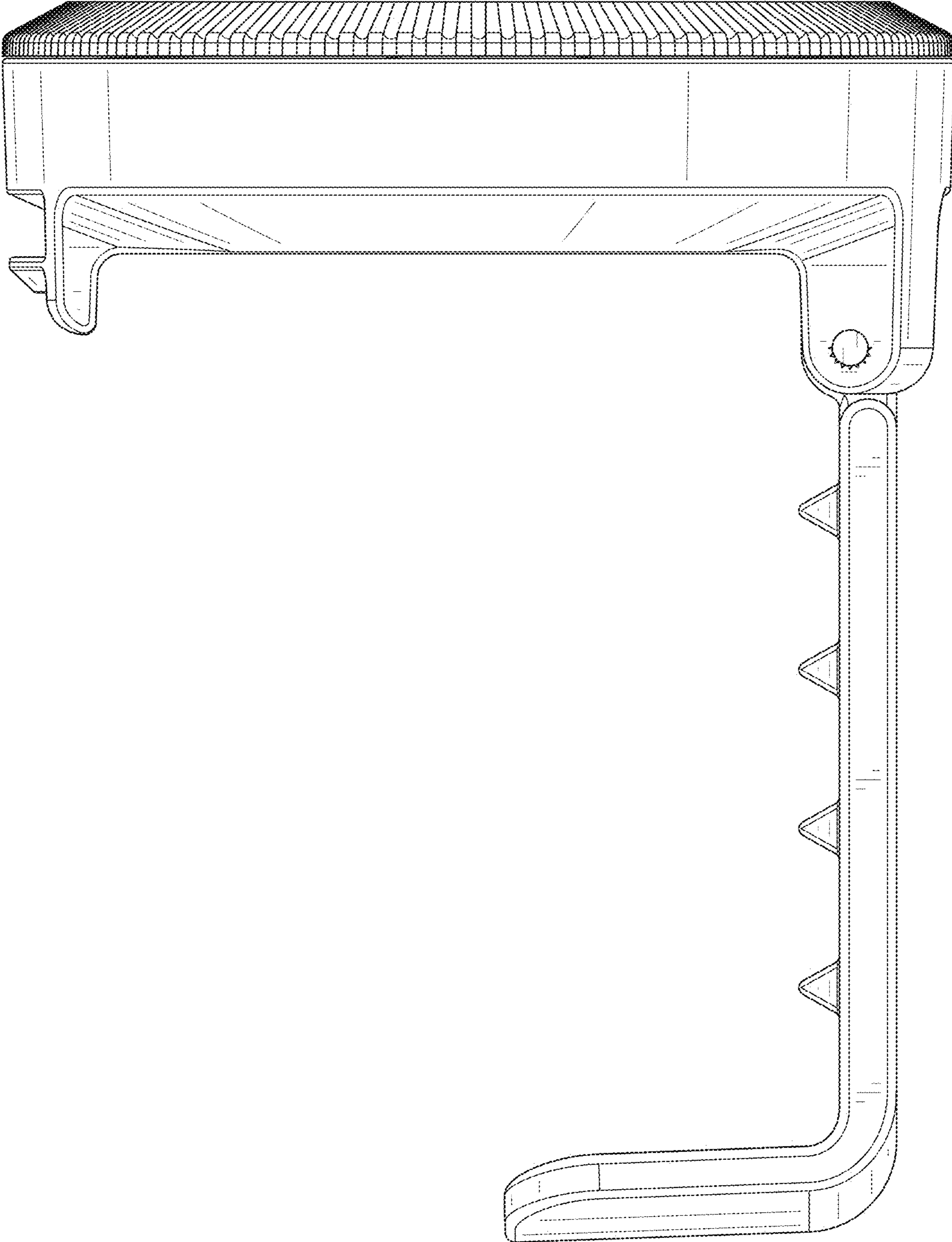


FIG. 16

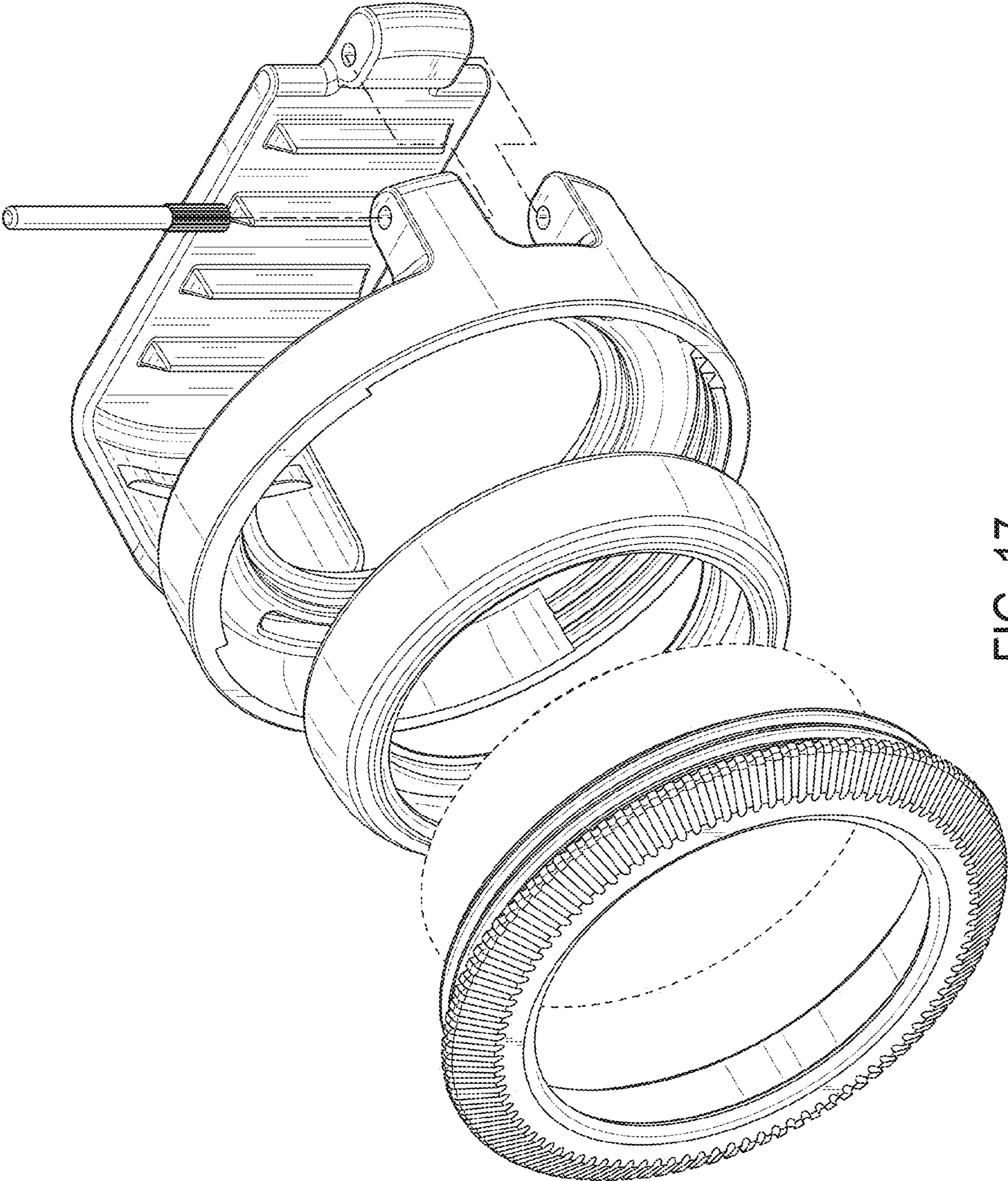


FIG. 17

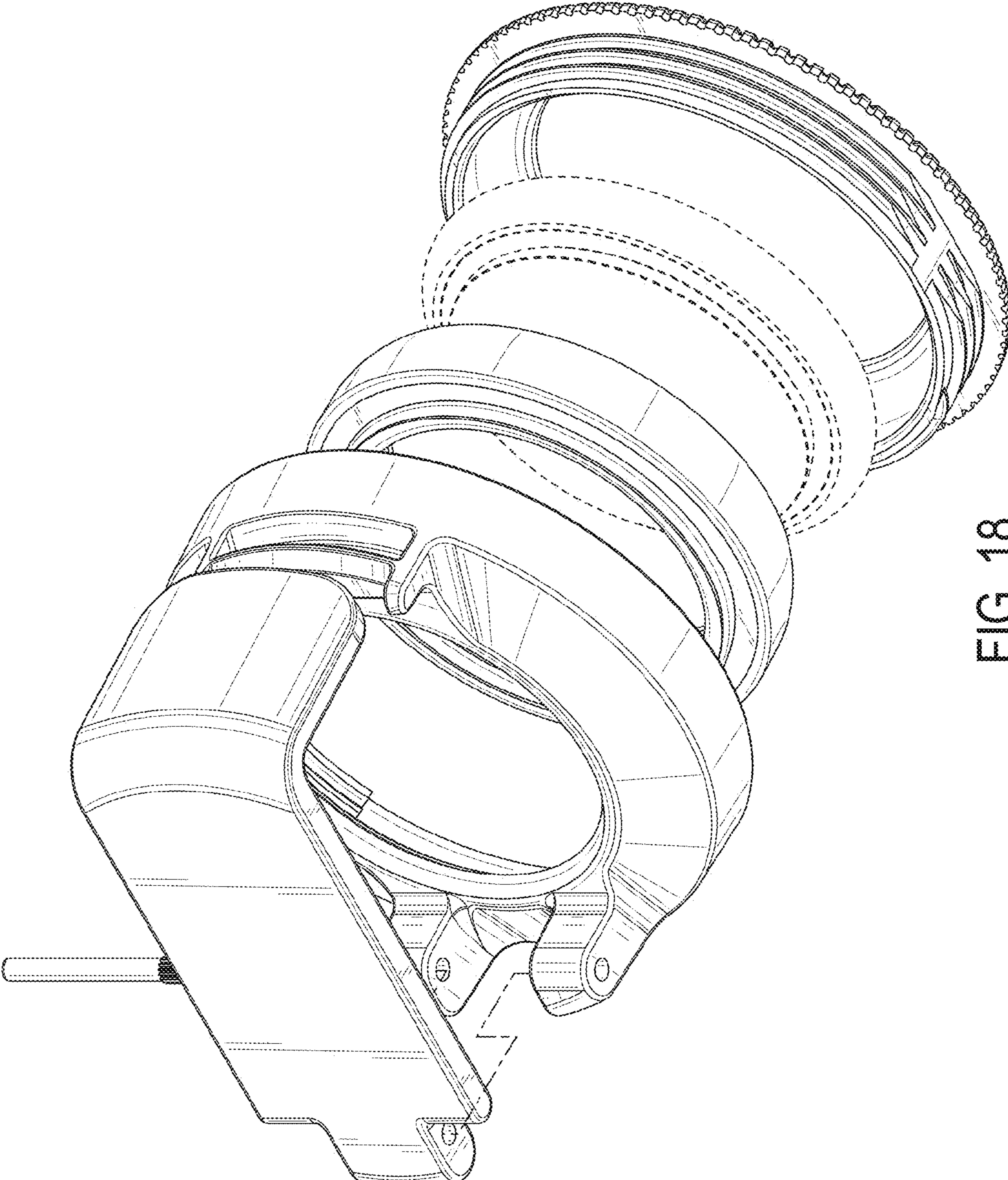


FIG. 18

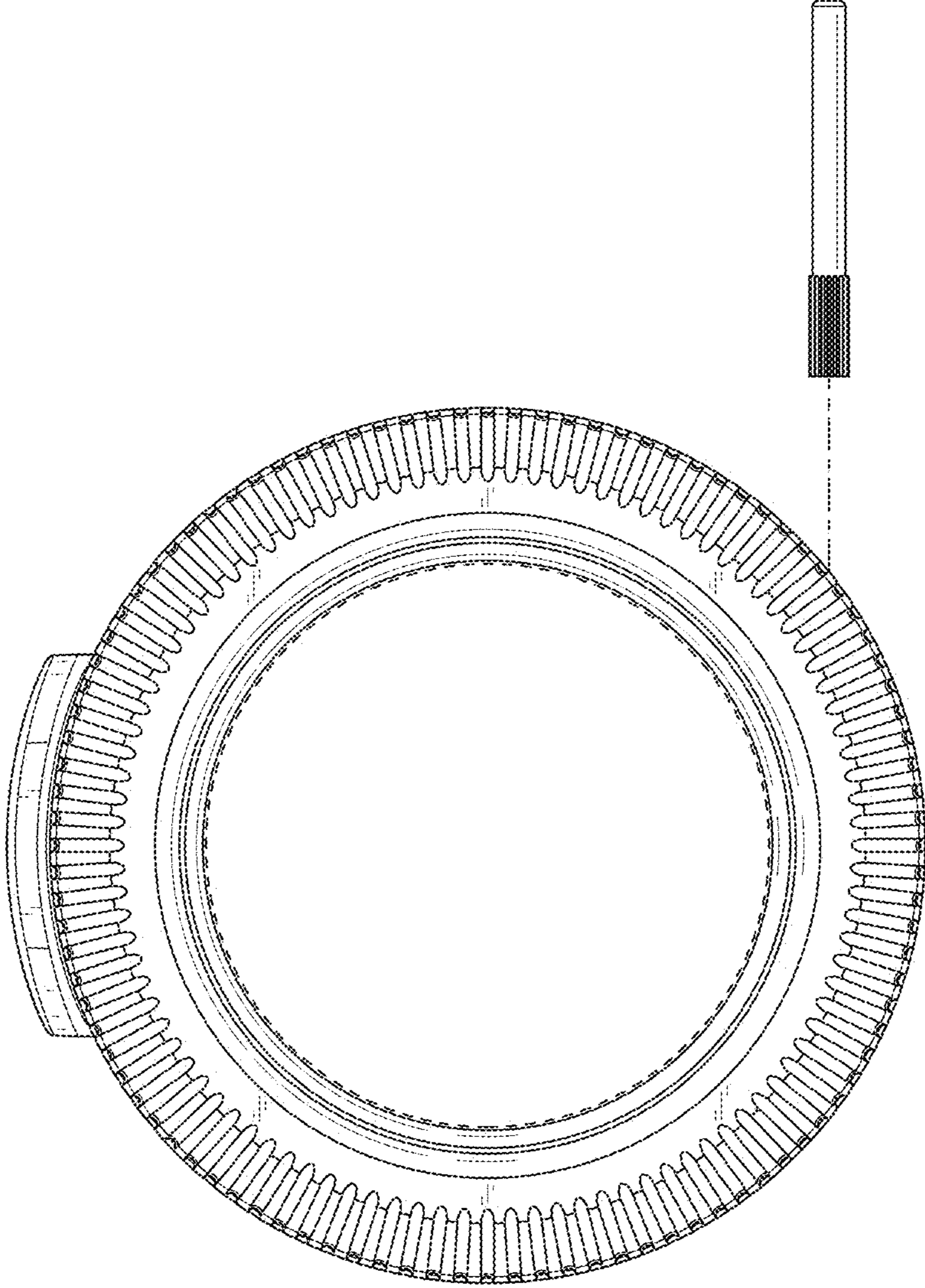


FIG. 19

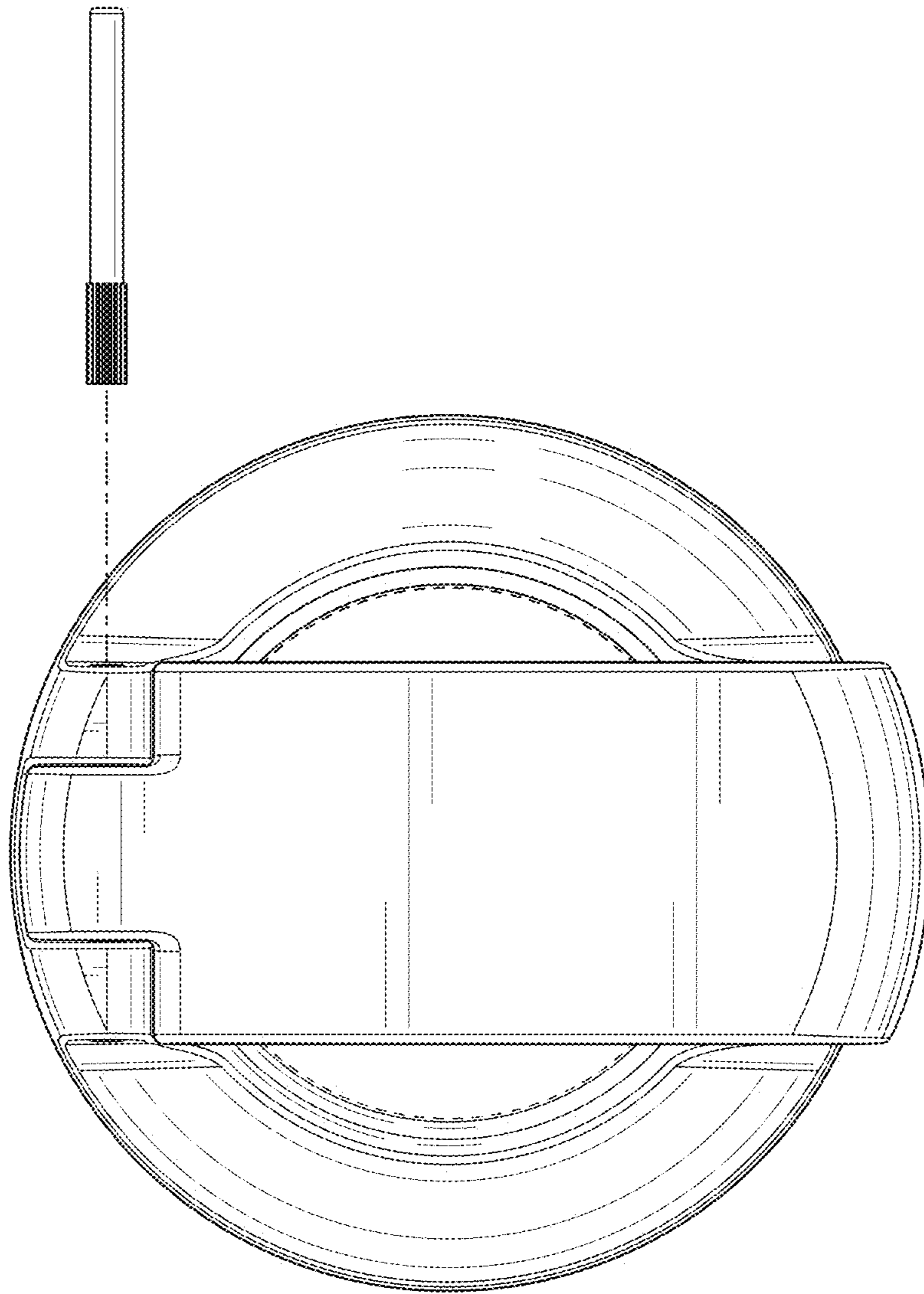


FIG. 20

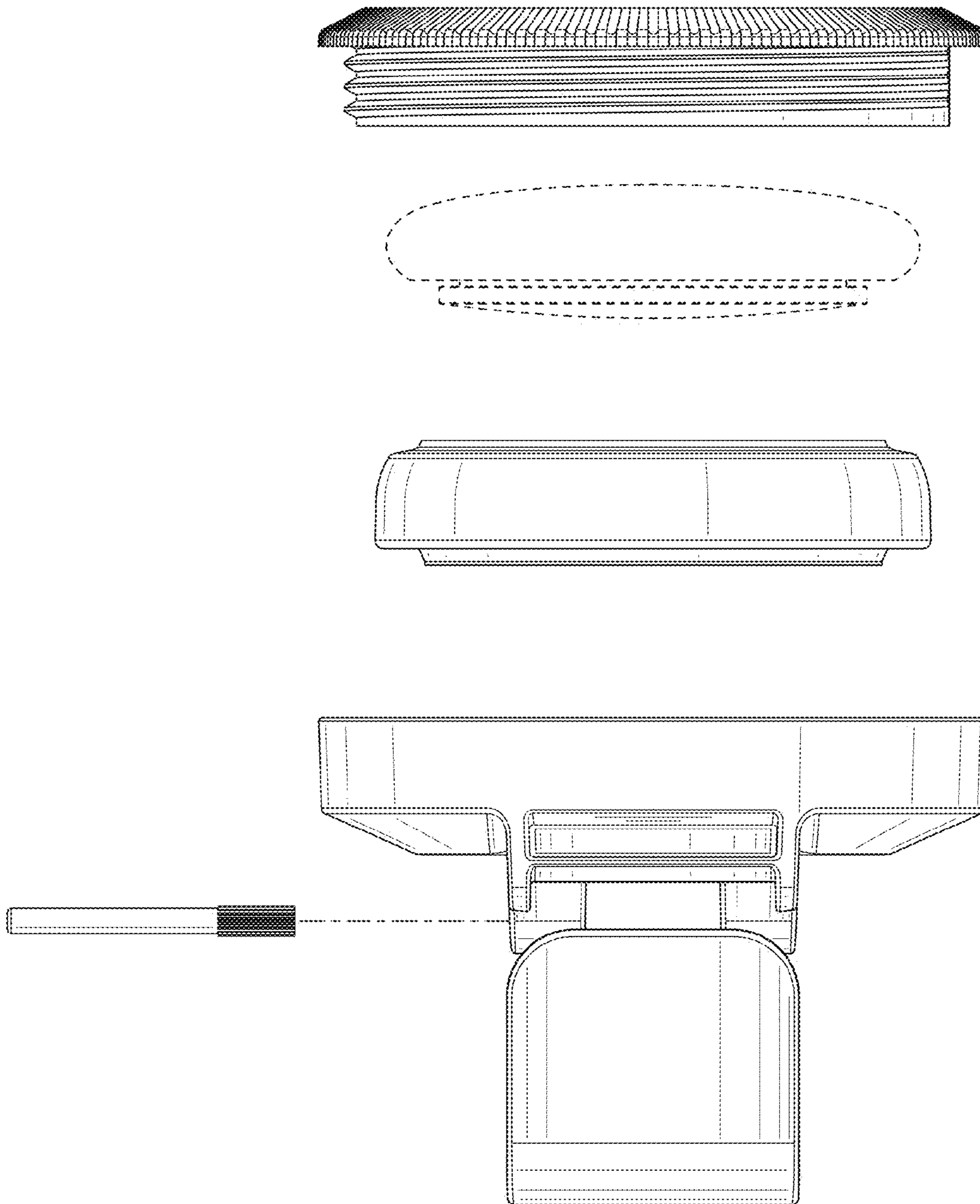


FIG. 21

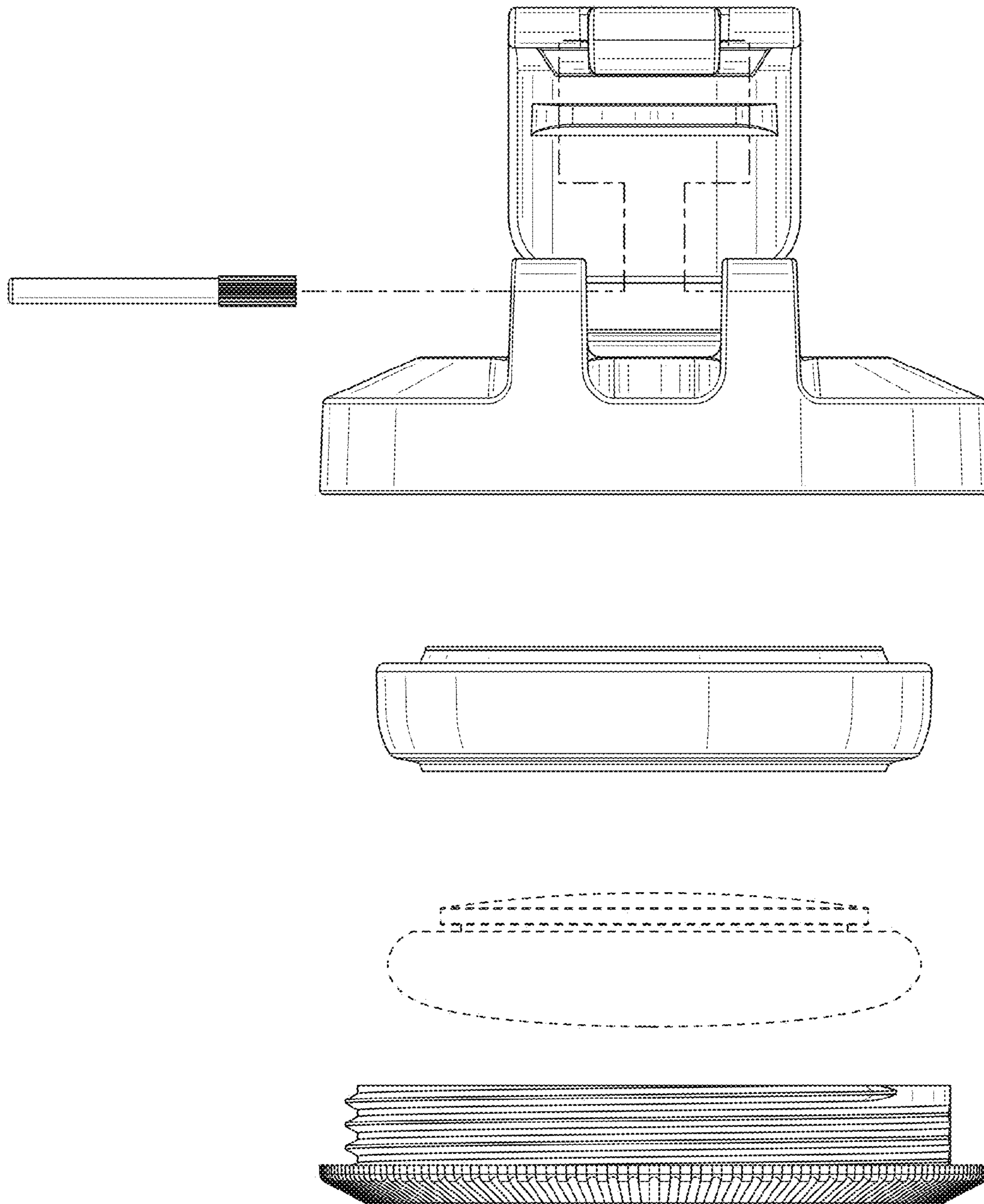


FIG. 22

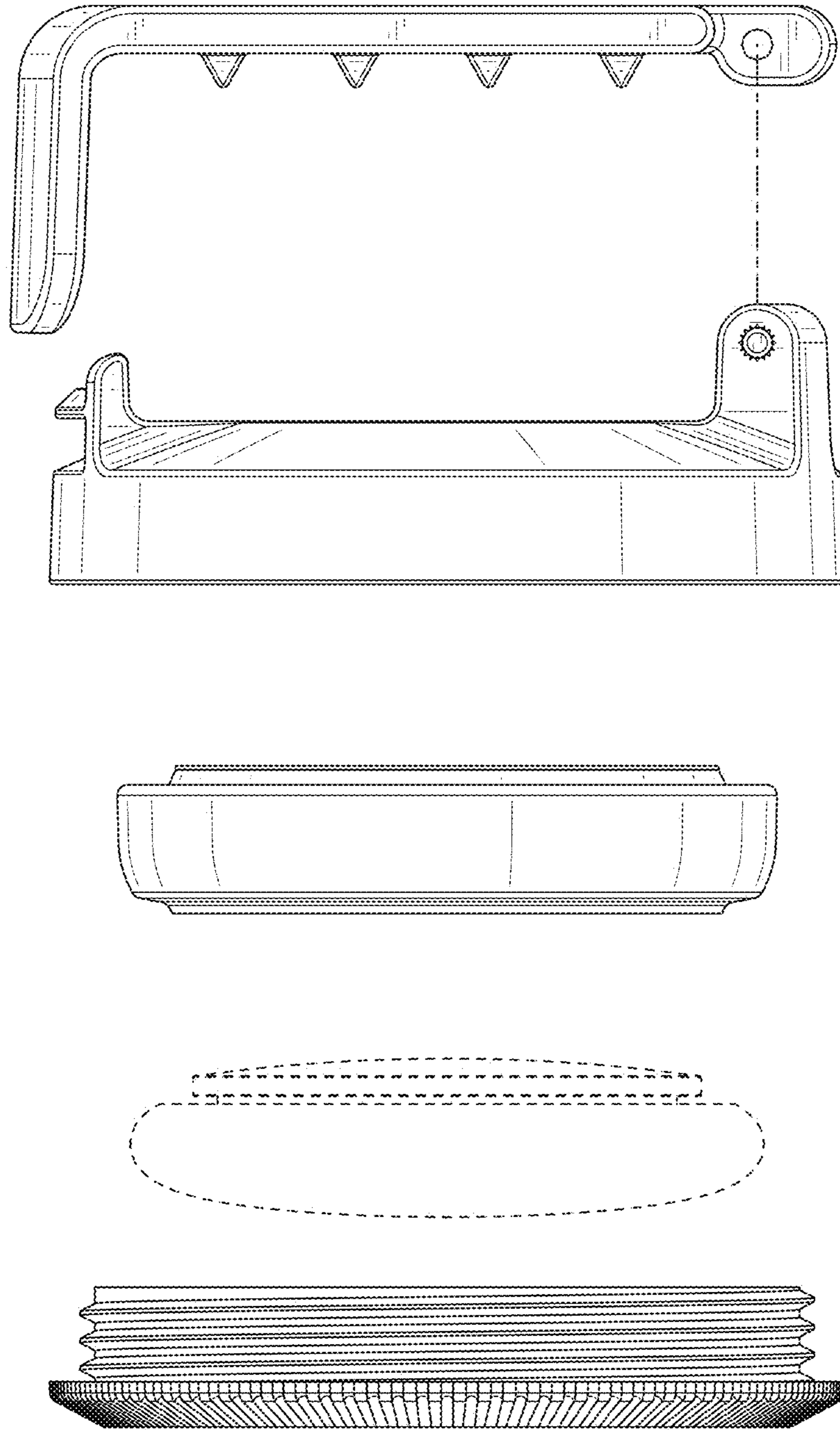


FIG. 23

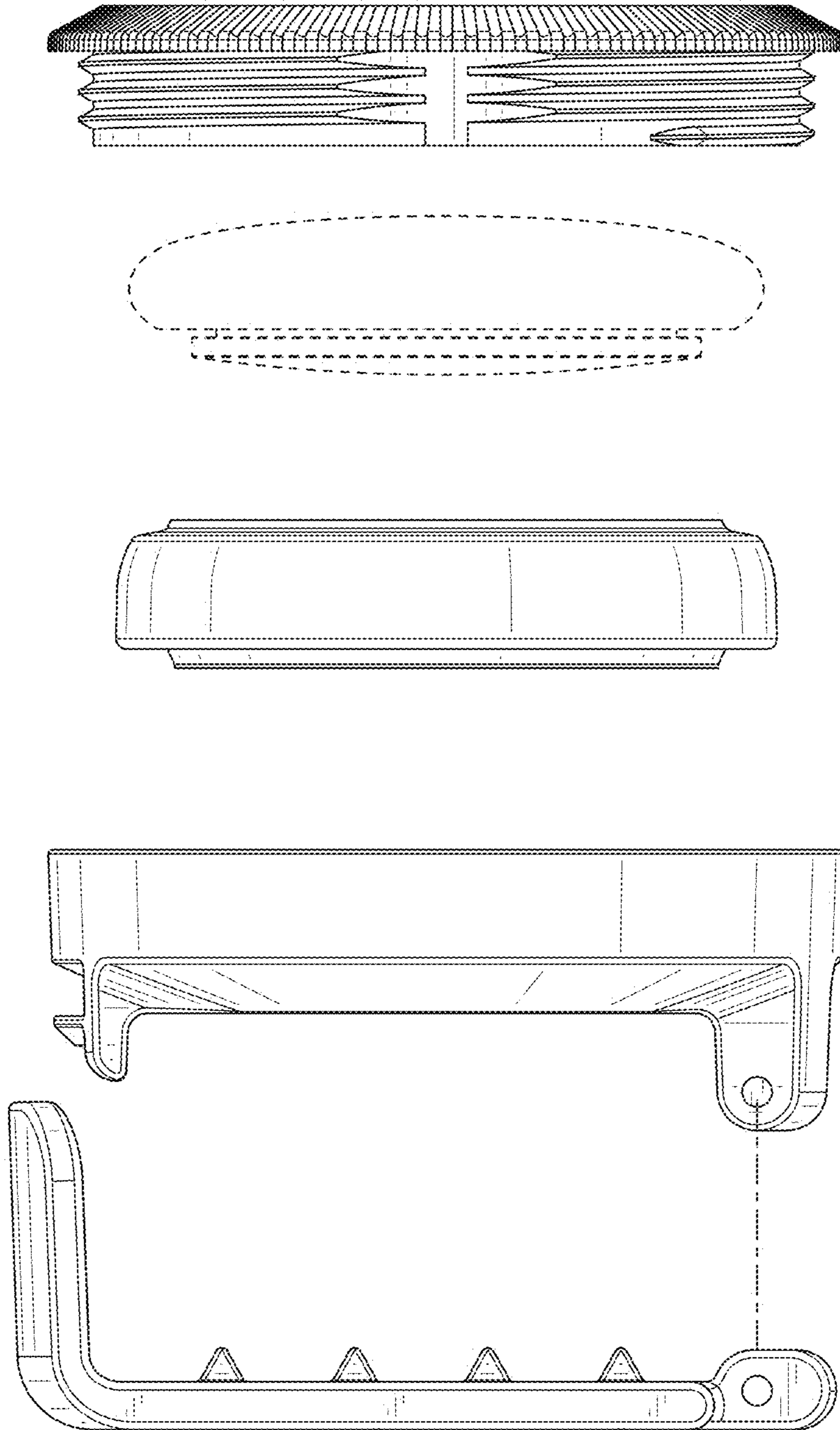


FIG. 24